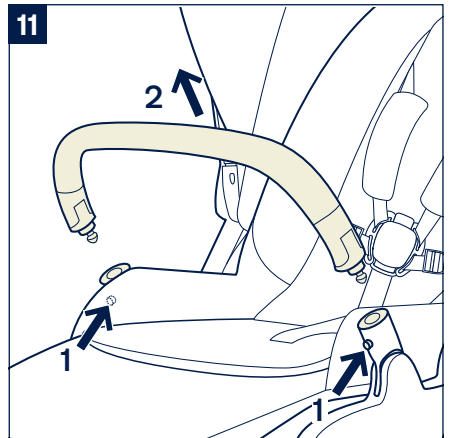
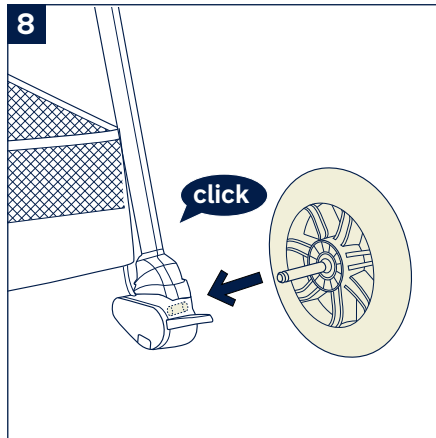
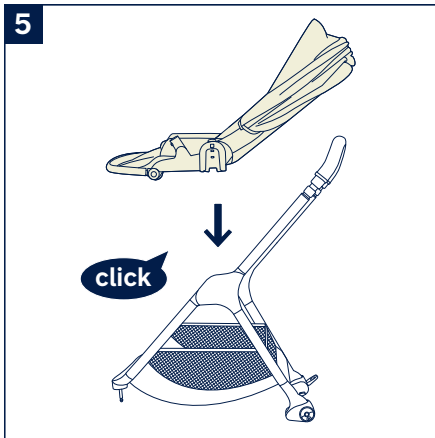
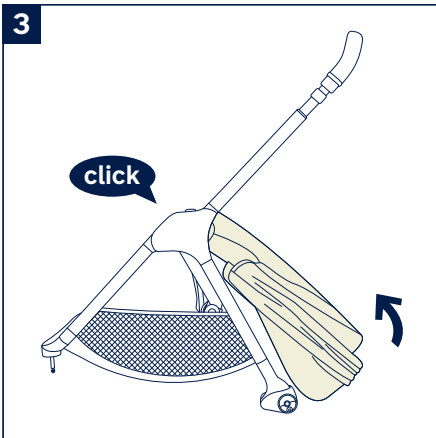
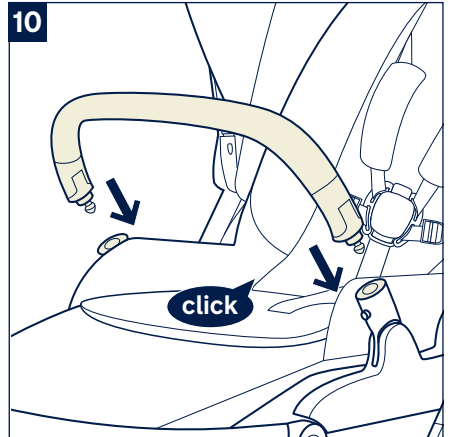
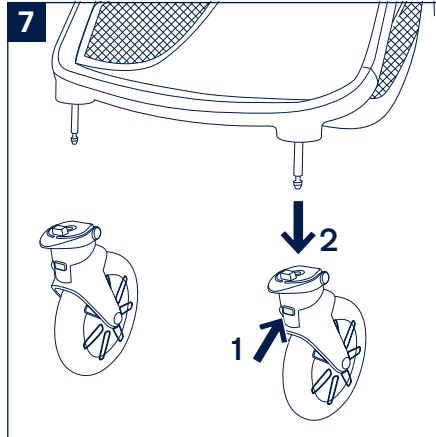
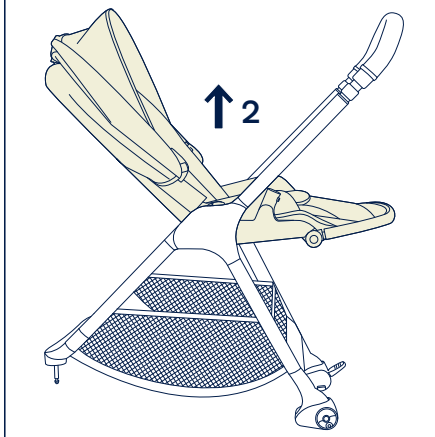
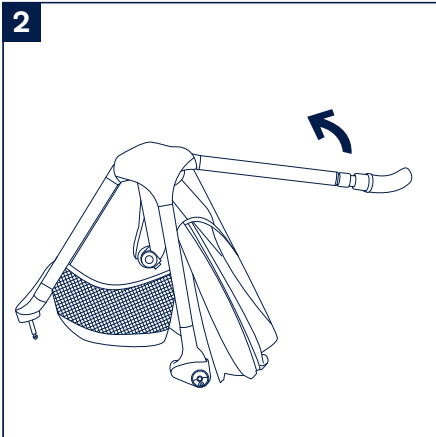
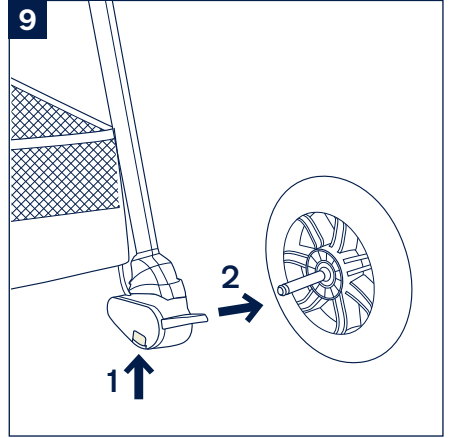
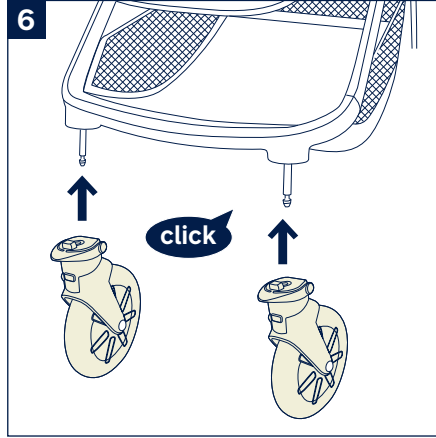
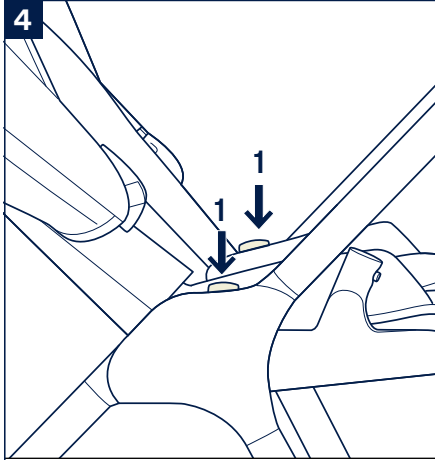
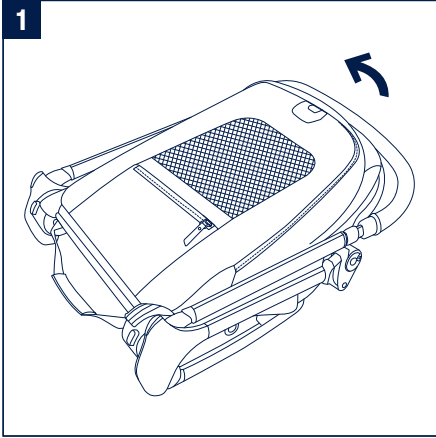


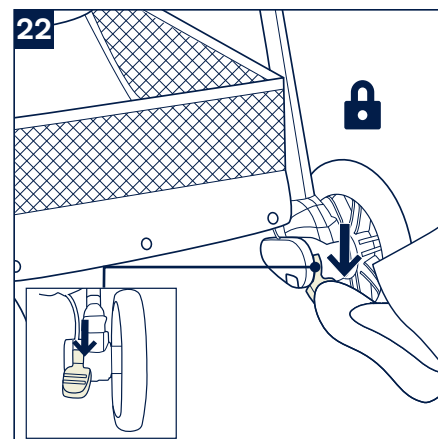
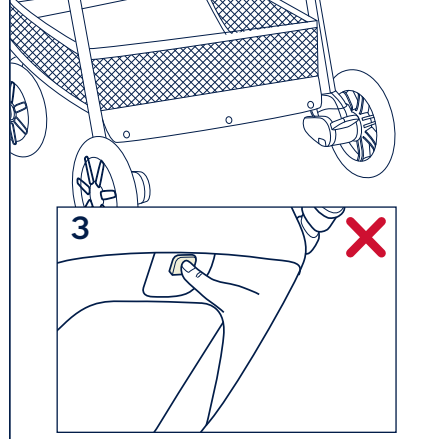
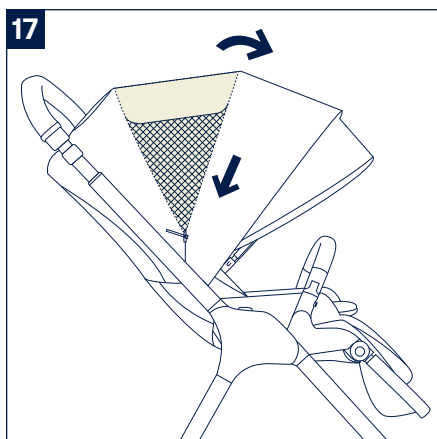
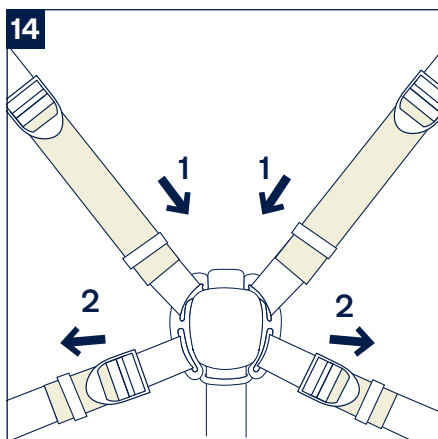
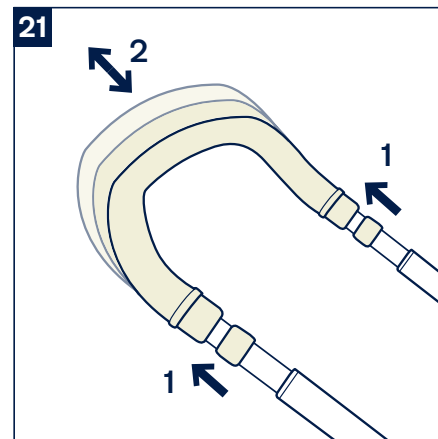
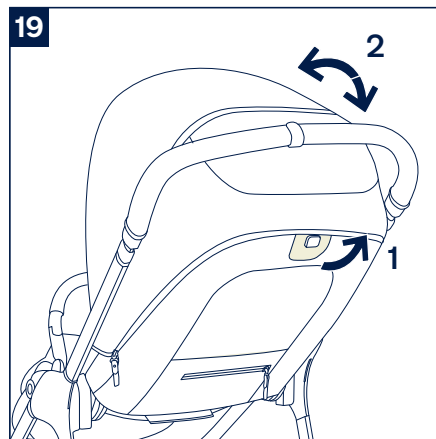
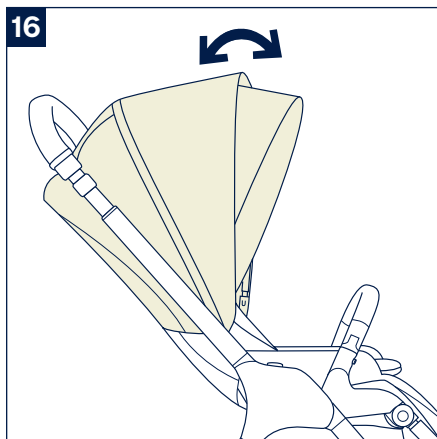
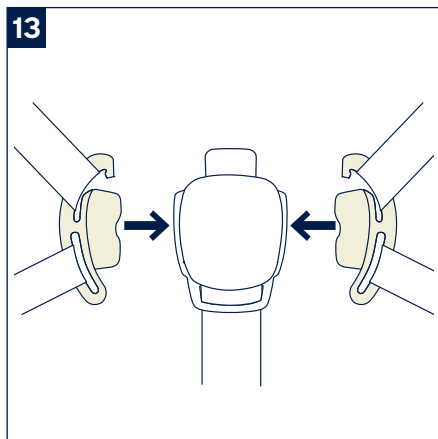
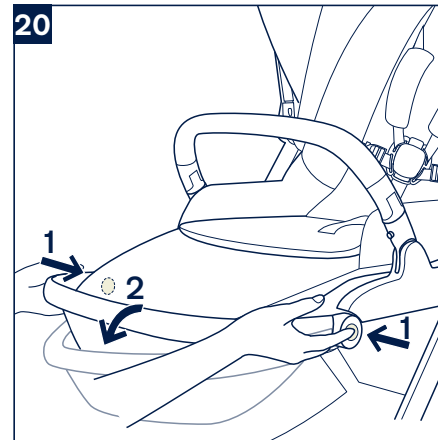
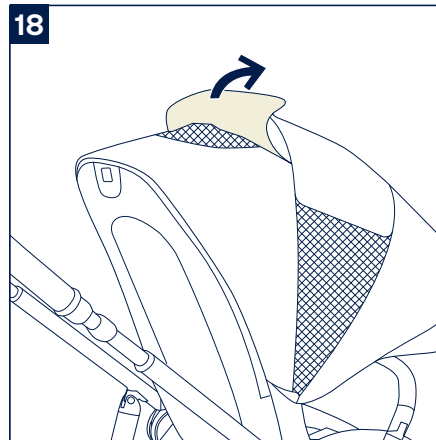
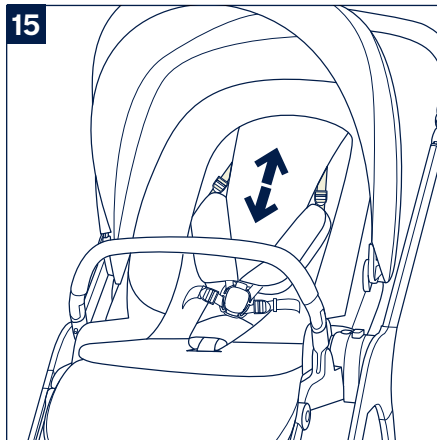
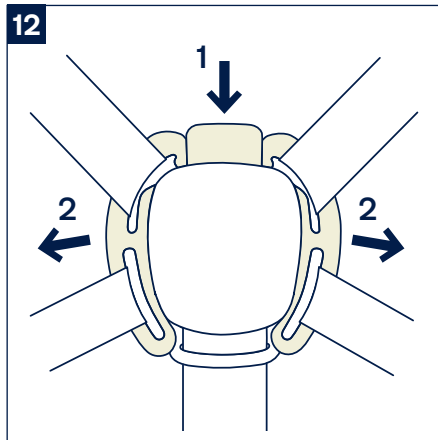
# triv<sup>TM</sup> next

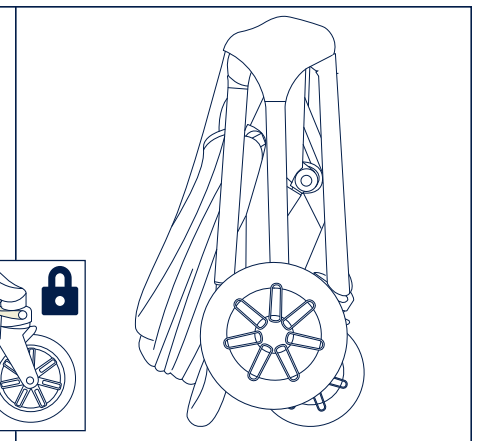
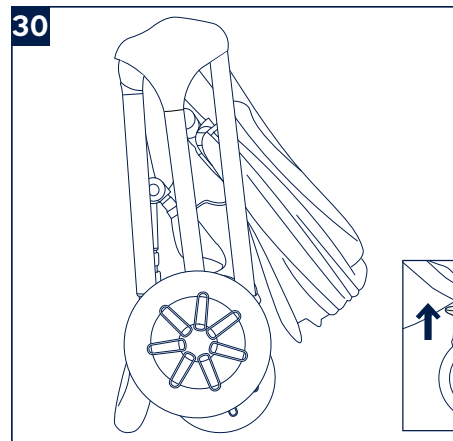
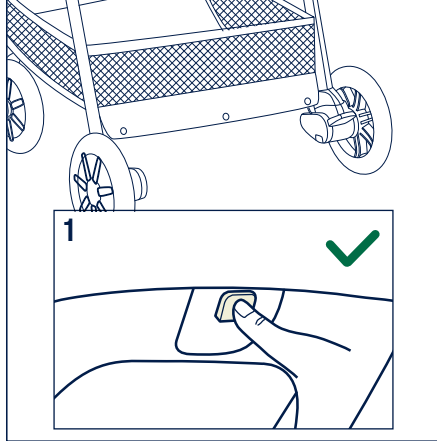
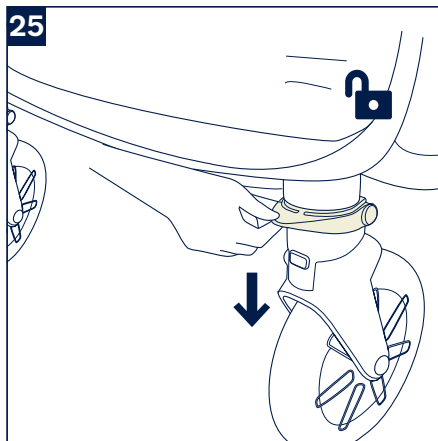
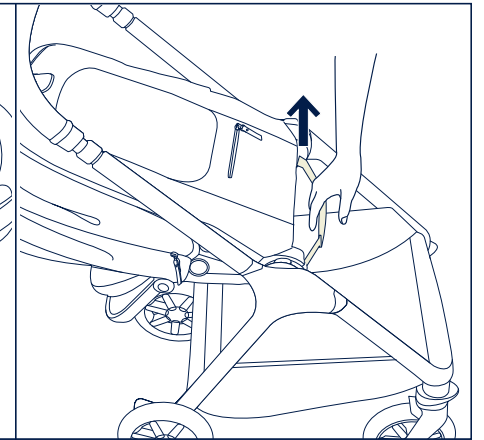
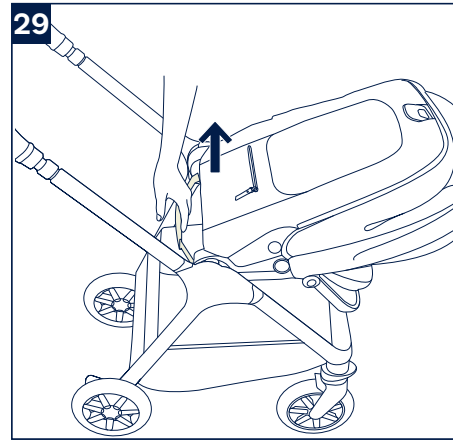
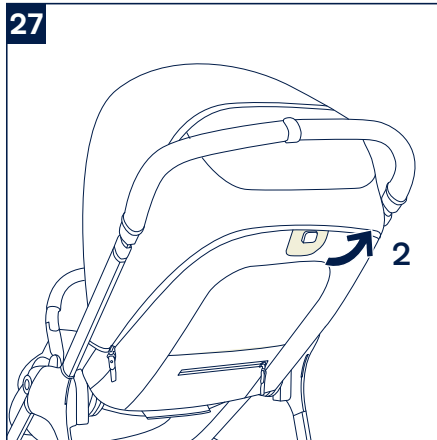
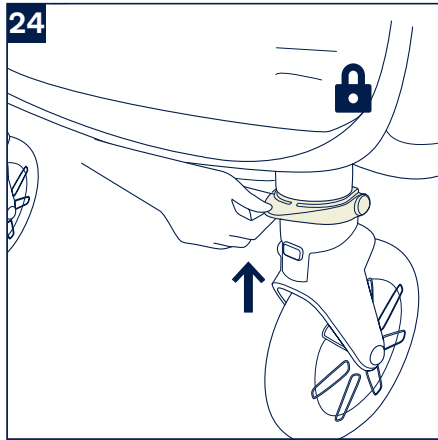
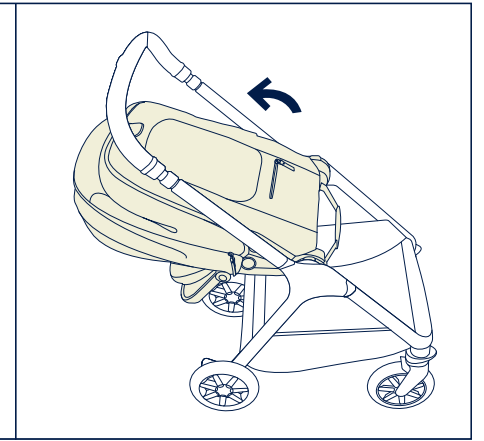
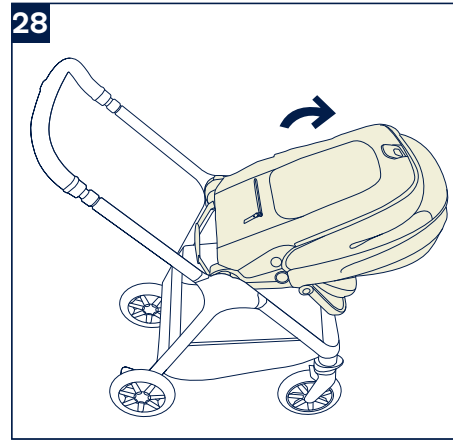
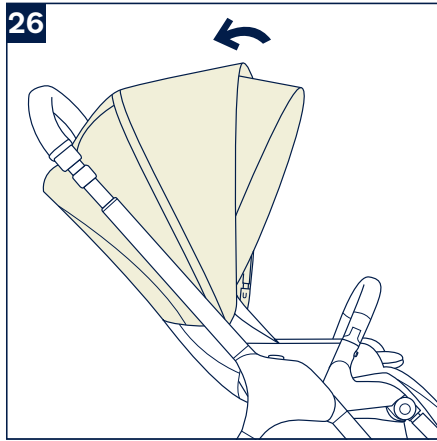
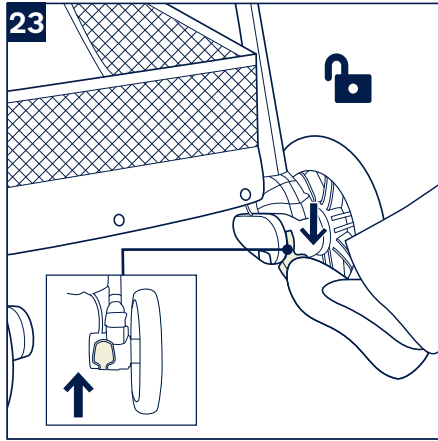


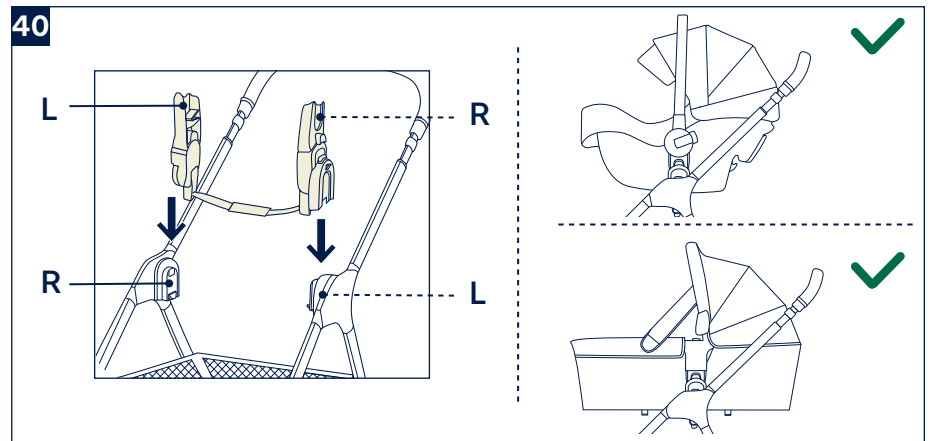
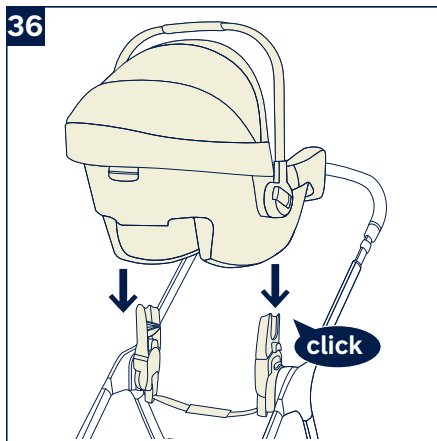
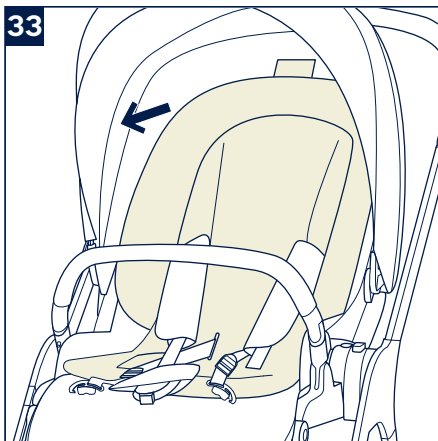
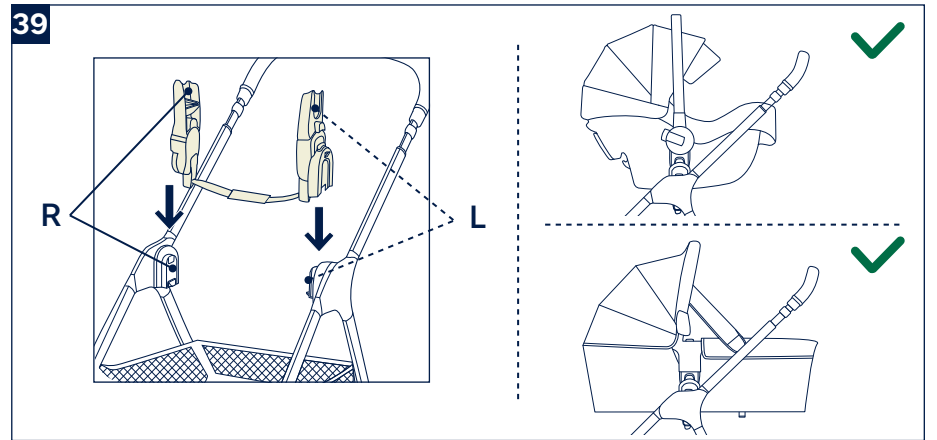
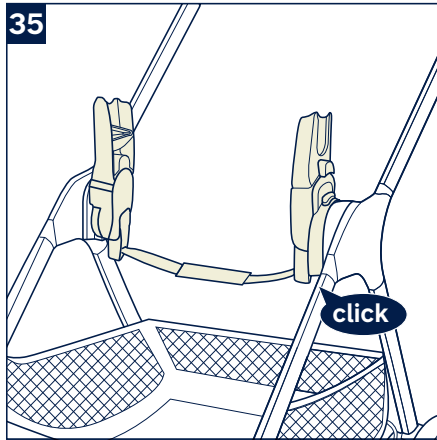
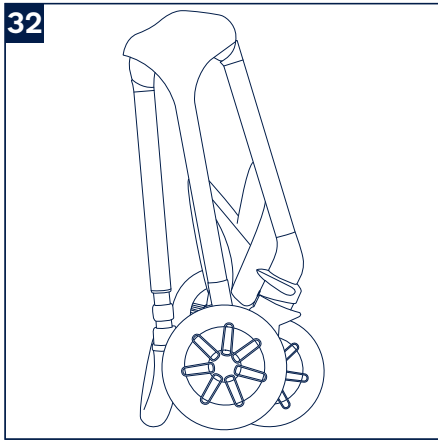
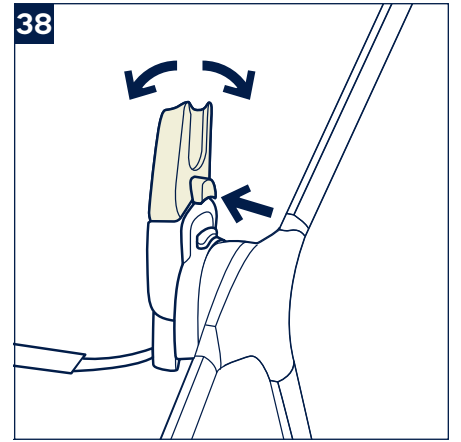
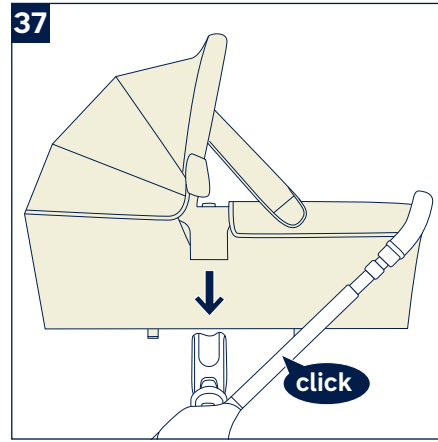
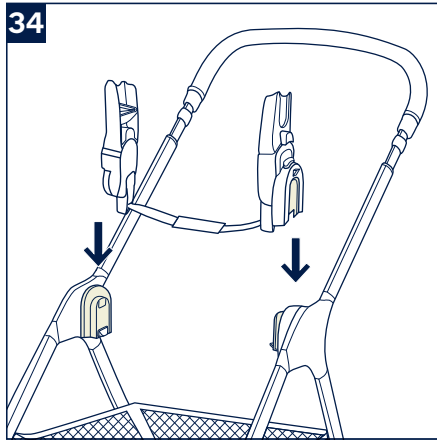
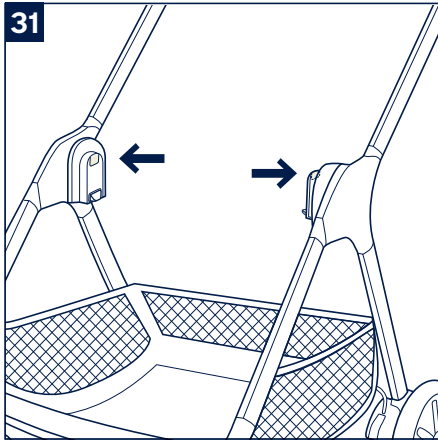
nuna<sup>®</sup>

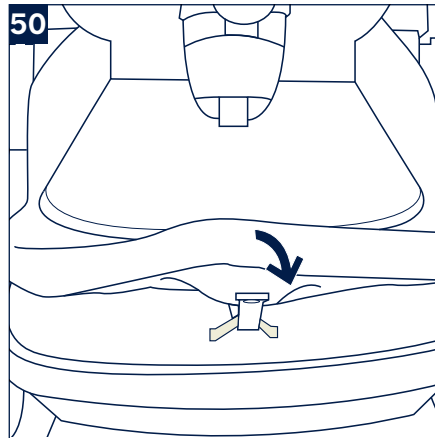
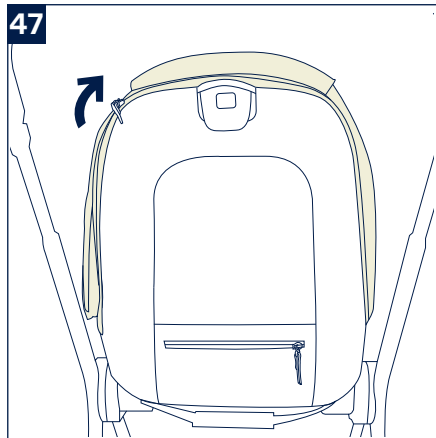
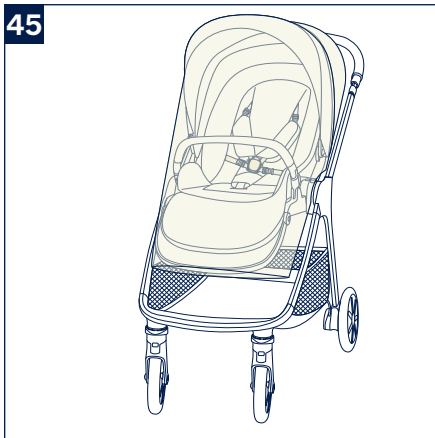
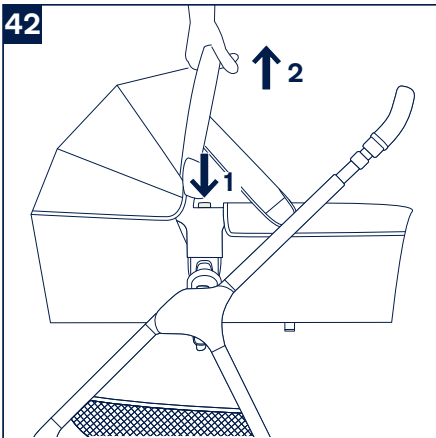
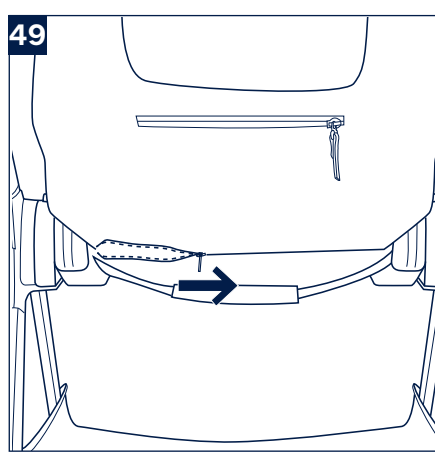
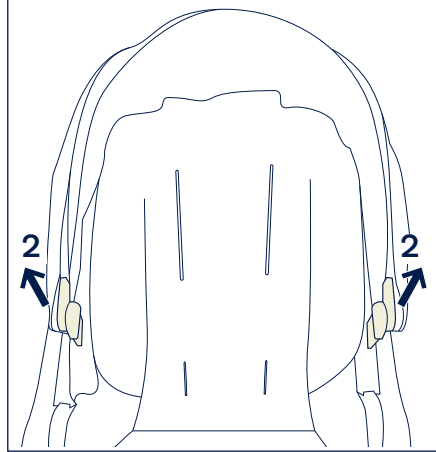
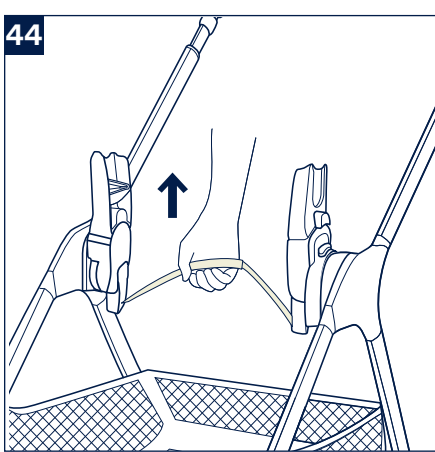
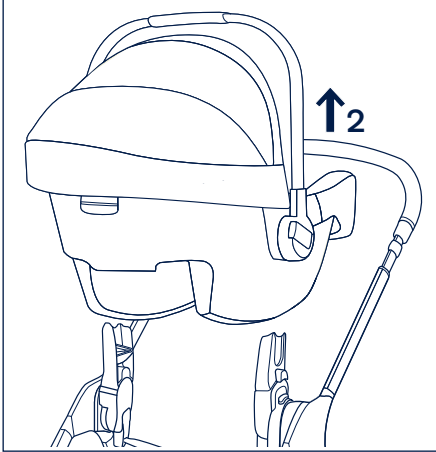
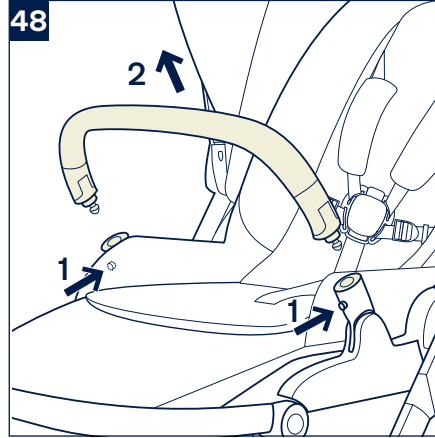
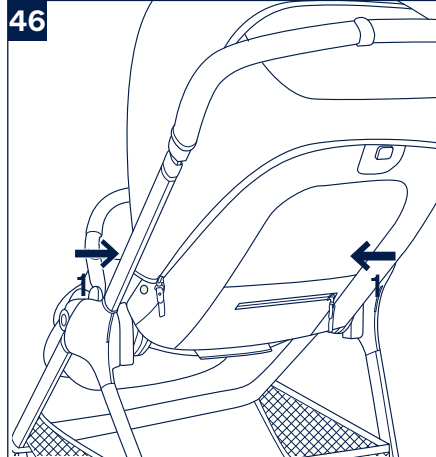
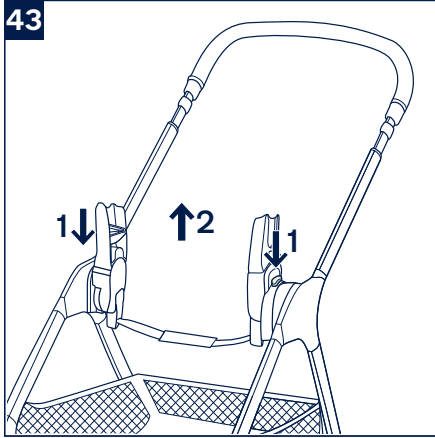
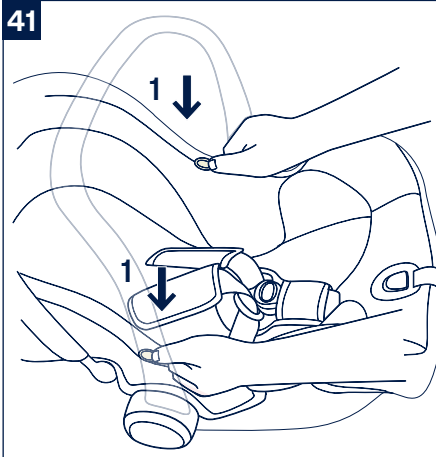
**IMPORTANT- READ CAREFULLY  
AND KEEP FOR  
FUTURE REFERENCE**

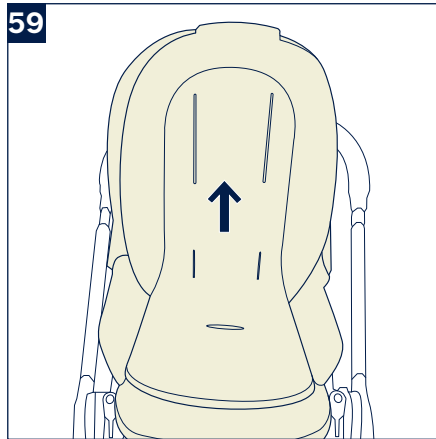
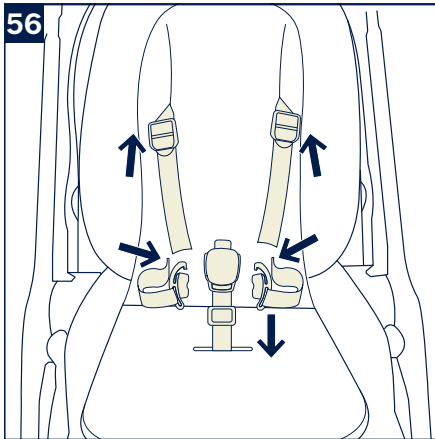
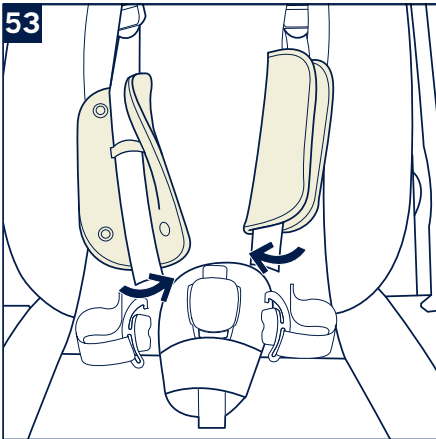
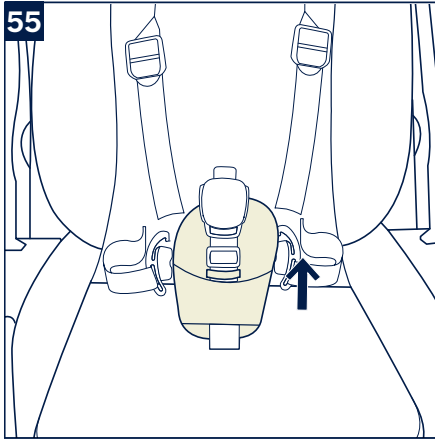
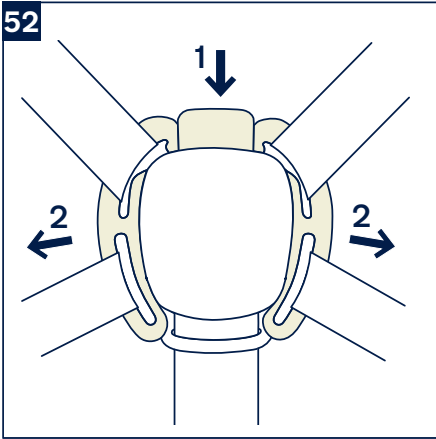
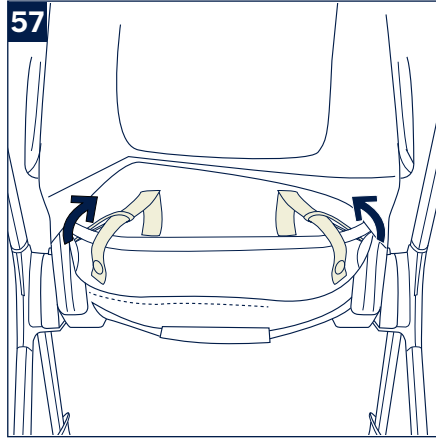
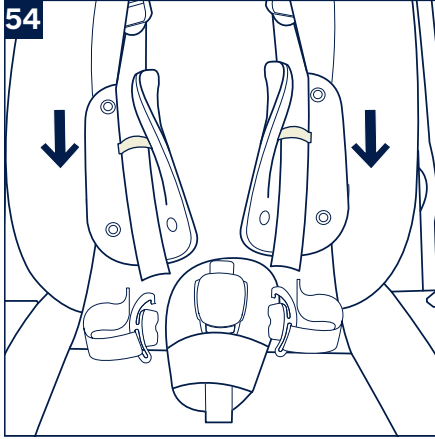














*Designed*  
around your life



<b>Contents</b>	
<b>Product Information</b>	3
Warranty	
Contact	
<b>Child Usage Requirements</b>	3
<b>Warnings</b>	3
<b>Parts List</b>	6
<b>Product Set Up</b>	7
<b>Product Use</b>	7
<b>Accessories</b>	8
<b>Detach &amp; Assemble Soft Goods</b>	9
<b>Cleaning and Maintenance</b>	9
<b>Français (FR)</b>	10
<b>Deutsch (DE)</b>	17
<b>Nederlands (NL)</b>	24
<b>Italiano (IT)</b>	31
<b>Español (ES)</b>	38
<b>Português (PT)</b>	45
<b>Polski (PL)</b>	52
<b>Čeština (CZ)</b>	60
<b>Slovenčina (SK)</b>	67
<b>Hrvatski (HR)</b>	74
<b>Slovenščina (SL)</b>	81
<b>Русский (RU)</b>	88
<b>Norsk (NO)</b>	95
<b>Svenska (SV)</b>	102
<b>Suomi (FI)</b>	109
<b>Dansk (DK)</b>	116
<b>Română (RO)</b>	123
<b>Ελληνικά (EL)</b>	130
<b>Türkçe (TR)</b>	138
<b>Hungarian (HU)</b>	145
١٥٢	
<b>(AR) العربية</b>	

## Product Information

Model Number: \_\_\_\_\_

Manufactured Date: \_\_\_\_\_

### Warranty

We have purposely designed our high-quality products so that they can grow with both your child and your family. Because we stand by our product, our gear is covered by a custom warranty per product, starting from the day it was purchased. Please have the proof of purchase, model number and manufactured date available when you contact us.

For warranty information please visit:

[www.nunababy.com](http://www.nunababy.com)

Click the "Warranty" link on the homepage.

### Contact

For replacement parts, service, or additional warranty questions, please contact our customer service department.

[info@nunababy.com](mailto:info@nunababy.com)

[www.nunababy.com](http://www.nunababy.com)

In the United Kingdom:

[infouk@nunababy.com](mailto:infouk@nunababy.com)

[www.nunababy.com](http://www.nunababy.com)

NUNA International B.V.

Van der Valk Boumanweg 178 C

2352JD Leiderdorp

The Netherlands

## Child Usage Requirements

This stroller seat is suitable for use with children who meet the following requirements:

Birth to 22 kg or 4 years whichever comes first.

When using the stroller frame with TRIV carry cot or Nuna infant carriers, refer to the child usage requirements listed in those instruction manuals.

## ⚠️ WARNING

**Failure to follow these warnings and instructions could result in serious injury or death.**

Always use the restraint system.

Check that the pram body or seat unit or car seat attachment devices are correctly engaged before use.

Do not let the child play with this product.

Ensure that all the locking devices are engaged before use.

Never leave the child unattended.

This product is not suitable for running or skating.

To avoid injury ensure that the child is kept away when unfolding and folding this product.

Accessories which are not approved by the manufacturer shall not be used. Only replacement parts supplied or recommended by the manufacturer/distributor shall be used.

Adult assembly required.

**ALWAYS** set the parking brake when you stop.

Any damage caused by the use of accessories not supplied by Nuna will not be covered in terms of warranty.

Any load attached to the handle and/or on the back of the backrest and/or on the sides of the vehicle will affect the stability of the vehicle.

Be certain the stroller is fully erected and latched before allowing your child near the stroller.

**DO NOT** carry additional children, goods, accessories in or on the stroller except as permitted in this manual. They may cause the stroller to become unstable.

**DO NOT** leave the stroller exposed in the vicinity of a strong source of heat i.e. a radiator or open fire.

**DO NOT** place any item on the canopy.

**DO NOT** store the stroller in a damp place. Always allow the fabric to dry naturally away from direct heat.

**DO NOT** use storage basket as a child carrier.

**DO NOT** use the stroller if any parts are damaged or missing.

For car seats used in conjunction with a chassis, this vehicle does not replace a cot or a bed. Should your child need to sleep, then it should be placed in a suitable pram body, cot or bed.

Keep small parts away from children as they pose a choking hazard.

Negotiate curbs and rough ground carefully. Repeated impact could cause damage to the stroller.

**NEVER** allow children to stand on the stroller.

**NEVER** carry more than one child at a time in the stroller.

**NEVER** use the stroller on stairs or escalators. You may suddenly lose control of the stroller or your child may fall out.

The harness must always be correctly fitted and adjusted. The harness is not a substitute for proper adult supervision.

The parking break shall be engaged when placing and removing children.

Overloading, incorrect folding, and the use of accessories e.g. child seats, bag hooks, rain covers, buggy boards, etc... other than those approved by Nuna may damage or make the stroller unsafe.

Rubber tires may leave black scuff marks on smooth surfaces such as parquet, laminate and linoleum.

**STRANGULATION HAZARD** Do not place items with a string around your child's neck, suspend strings from this product, or attach strings to toys.

To avoid any danger of suffocation, remove all plastic covers before using this item and destroy or keep away from babies and children!

To prevent a hazardous, unstable condition, do not place more than 4.5 kg in the storage basket and more than 0.45 kg in the storage pocket.

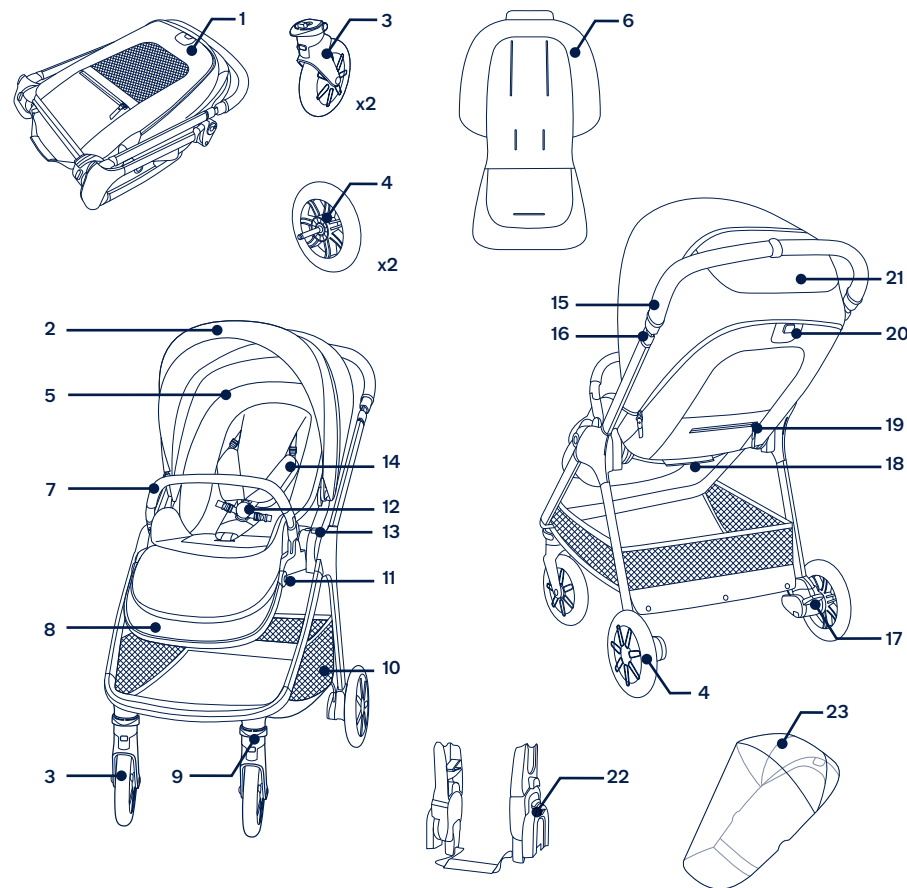
USE the most reclined position for new born babies.

Use the pushchair with a child weighing no more than 22 kg. It will cause damage to the pushchair with an unfitted child.

## Parts List

Make sure all parts are available before assembly. If any part is missing, please contact local retailer. No tools are required for assembly.

- |    |                                |    |  |
|----|--------------------------------|----|--|
| 1  | Stroller Frame                 | 13 | Seat Release Button                              |
| 2  | Canopy                         | 14 | Shoulder Harness Pad                             |
| 3  | Front Wheel (x2)               | 15 | Handle   |
| 4  | Rear Wheel (x2)                | 16 | Handle Adjustment Button                         |
| 5  | Seat Pad                       | 17 | Brake Lever                                      |
| 6  | Insert                         | 18 | Folding Webbing                                  |
| 7  | Arm Bar                        | 19 | Storage Pocket (maximum load = 0.45 kg)          |
| 8  | Calf Support                   | 20 | Recline Adjustment Button/Folding Release Button |
| 9  | Swivel Lock                    | 21 | Canopy Window                                    |
| 10 | Storage Basket                 | 22 | Post adaptors                                    |
| 11 | Calf Support Adjustment Button | 23 | Rain Cover                                       |
| 12 | Buckle                         |    |  |



## Product Set Up

### Open Stroller

- 1 - Take the stroller frame out. (1)
- 2 - Rotate the handle up to open the stroller frame. (2)
- 3 - Pull the seat to open it. (3)

A “click” sound means the seat is open.

Check that the stroller is completely latched open before continuing.

### Switch Seat

Please switch seat if you needed.

- 1 - Press the seat release button (4)-1 and lift the seat up (4)-2.
- 2 - Reverse the seat, and then attach it to the frame. (5)

A “click” sound means the seat is attached completely.

### Front Wheels

- 1 - Insert the front wheel into the front leg. (6)

A “click” sound means the front wheel is assembled completely.

Check the wheel is securely attached by pulling out.Repeat on opposite side.

- 2 - To remove the front wheel, press the release button (7)-1 and detach the front wheel from the front leg (7)-2.

### Rear Wheels

- 1 - Insert the rear wheel into the rear leg. (8)

A “click” sound means the rear wheel is assembled completely.

Check the wheel is securely attached by pulling out.Repeat on opposite side.

- 2 - To remove the rear wheel, press the release button (9)-1 and detach the rear wheel from the rear leg (9)-2.

### Arm Bar

- ! Always secure the child with the harness. The arm bar is not a restraint device.

- 1 - Align the arm bar ends with the arm bar mounts, and insert until it clicks into place. (10)

A “click” sound means the arm bar is assembled completely.

- 2 - To remove the arm bar, press the arm bar release buttons (11)-1 and remove the arm bar (11)-2.

### Check Set Up

- Stroller frame is latched open
- Stroller seat securely attached
- Rear and front wheels securely attached
- Arm bar securely attached

## Product Use

### Securing Your Child

- 1 - Push the top button on the buckle (12)-1 to release the buckle latch and remove the magnetic clips (12)-2. Place your child in the stroller.
- 2 - Insert the magnetic clips into the buckle. (13)
- 3 - Fit the harness snugly to your child by pulling the adjustment straps to tighten (14)-1. Then pull the waist adjustment straps out (14)-2.

### Shoulder Harness Position

- 1 - The upper shoulder harness buckles can be moved up and down for added adjustment. (15)

- ! To avoid serious injury from falling or sliding out, always secure your child with the harness.

Make sure the harness is adjusted properly and your child is snugly secured. The space between the child and the shoulder harness should be about the thickness of one finger.

**DO NOT** cross the shoulder belts. This will cause pressure on child’s neck.

### Canopy

- 1 - To open the canopy, pull the canopy toward the front of the seat, and to fold, push it back. (16)
- 2 - Open the zipper on the canopy for extra shade. (17)
- 3 - For added ventilation, flip the canopy window cover up. (18)

### Recline

There are 4 recline positions for the backrest.

- 1 - To raise or lower the backrest, squeeze the recline adjustment button (19)-1, and pull the backrest up or down (19)-2.

- ! Please do not press the button (19)-3 on the middle of the recline adjustment button when adjusting the angle for the recline. Make sure the recline is adjusted properly for use.

### Calf Support

The calf support has 2 use positions.

- 1 - To raise the calf support, lift up.
- 2 - To lower the calf support, press the adjustment button (20)-1, and push down (20)-2.

### Handle

The handle has 5 positions.

- 1 - To adjust the height of the handle, pull the handle adjustment button (21)-1 and pull the handle up or down (21)-2.

### Brake

- 1 - To lock the rear wheels, step down on the brake lever. (22)
- 2 - To unlock the rear wheels, step down the brake lever again. (23)

- ! Always apply the brake when the stroller is stopped. Push the stroller slightly to ensure the brake is engaged.

### Front Swivel Locks

It is recommended to use the front swivel locks on uneven surfaces.

- 1 - Pull the front swivel lock up to lock the front wheel. (24)
- 2 - Push the front swivel lock down to unlock. (25)

### Fold

The stroller can be folded with forward facing seat or rear facing seat or without the seat. Before folding the stroller, adjust the handle to the lowest position and suggest the front swivel locks are locked.

- 1 - Fold the canopy. (26)
  - 2 - Press the folding release button (27)-1 on the middle of the recline adjustment button and then squeeze the recline adjustment button (27)-2.
  - 3 - Fold the seat. (28)
  - 4 - Pull the folding webbing of the seat to fold the stroller. (29)
  - 5 - The stroller can stand by forward wheels swivel locked. (30)
  - 6 - Press the folding buttons of the seat mounts. (31)
  - 7 - Fold the stroller. (32)
- ! The stroller without seat can stand by handle and the front wheels.

### Insert

- 1 - To assemble the insert, place the insert over the seat and thread the shoulder, waist and crotch harnesses through their respective slots. (33)

## Accessories

- ! Not all accessories are included on some models.

### Post adaptors

For Nuna infant carrier and TRIV carry cot assembly and usage, please refer to the infant carrier and carry cot instruction manual.

- 1 - To attach the post adaptors, place the post adaptors on the seat mounts. A “click” sound means the post adaptors are attached. (34)(35)
  - 2 - To attach infant carrier, place the infant carrier on the post adaptors. A “click” sound means the infant carrier is attached. (36)
  - 3 - To attach carry cot, place the carry cot on the post adaptors. A “click” sound means the carry cot is attached. (37)
  - 4 - The infant carrier and carry cot angle can be adjusted with our adjustable adaptors. (38)
  - 5 - When used with rear facing, the letters on the post adaptors are the same as those on the frame plastic. (39)
  - 6 - When used with front facing, the letters on the post adaptors are opposite to those on the frame plastic. (40)
  - 7 - To remove the infant carrier, push the release buttons on the infant carrier (41)-1 and lift up (41)-2.
  - 8 - To remove carry cot, press the release buttons on the side of the carry cot (42)-1 and lift up (42)-2.
  - 9 - To remove the post adaptors, pull the adaptor release buttons (43)-1 and lift up (43)-2.
- ! Remove the infant carrier and carry cot before folding.

## Fold the Stroller with Post adaptors

Before folding the stroller with post adaptors, adjust the handle to the lowest position and suggest the front swivel locks are locked.

- 1 - Pull the folding webbing of the post adaptors to fold the stroller. (44)
- ! The stroller with the post adaptors can stand by handle and the front wheels.

### TRIV Rain Cover

Check that the canopy is completely open before attaching the rain cover.

- 1 - To assemble the rain cover, place it over the pushchair. (45)

- ! ALWAYS check ventilation when the rain cover is on the product.

ALWAYS check that the rain cover has been cleaned and dried before folding.

**DO NOT** fold the pushchair when the rain cover is attached.

**DO NOT** place your child in the pushchair in hot weather with the rain cover attached.

## Detach & Assemble Soft Goods

To detach seat soft goods, follow the steps (46) - (59) as shown, and to re-assemble seat soft goods, follow the steps above in reverse.

### Cleaning and Maintenance

Clean the frame, plastic parts, and fabric with a damp cloth, but do not use abrasives or bleach. Do not use silicon lubricants as they will attract dirt and grime. Do not store your stroller in a damp place.

Clean the stroller wheels regularly with water and remove any dirt.

To ensure long-lasting use, wipe the stroller off with a soft, absorbent cloth after using it in rainy weather.

Refer to the care label attached to the soft goods for washing and drying instructions.

It is normal for fabric to color from sunlight and to show wear and tear after a long period of use, even when used normally.

For reasons of safety, only use original Nuna parts.

Check regularly if everything functions properly. If any parts are torn, broken, or missing, stop using this product.

# IMPORTANT – A LIRE ATTENTIVEMENT ET À CONSERVER POUR RÉFÉRENCE ULTÉRIEURE

## Informations sur le produit

Numéro de modèle : \_\_\_\_\_

Date de fabrication : \_\_\_\_\_

### Garantie

Nous avons conçu spécialement nos produits de haute qualité afin qu'ils puissent accompagner le développement de votre enfant et de votre famille. Nous soutenons notre produit en couvrant notre matériel par une garantie personnalisée, commençant le jour de son achat. Ayez la preuve d'achat, le numéro de modèle et la date de fabrication à disposition lorsque vous nous contactez.

Pour des informations sur la garantie, veuillez visiter : [www.nunababy.com](http://www.nunababy.com)  
Cliquez sur le lien « Garantie » dans la page d'accueil.

### Contact

Pour des informations sur les pièces de rechange, le service ou des questions supplémentaires sur la garantie, veuillez contacter notre service client.

[info@nunababy.com](mailto:info@nunababy.com)  
[www.nunababy.com](http://www.nunababy.com)

### Exigences d'utilisation avec un enfant

Ce siège de poussette est adapté aux enfants répondant aux exigences suivantes :

De la naissance jusqu'à 22 kg ou 4 ans à la première des deux limites atteintes

En cas d'utilisation du cadre de la poussette avec une nacelle ou un siège bébé Nuna, consultez les exigences d'utilisation indiquées dans les modes d'emploi correspondants.

## **⚠ AVERTISSEMENT**

**Ne pas suivre ces avertissements et instructions peut conduire à de sérieuses blessures ou la mort.**

Toujours utiliser le système de retenue.

Vérifier que les dispositifs de fixation de la nacelle, du siège ou du siège-auto sont correctement enclenchés avant utilisation.

Ne pas laisser votre enfant jouer avec ce produit.

S'assurer que tous les dispositifs de verrouillage sont enclenchés avant utilisation.

Ne jamais laisser l'enfant sans surveillance.

Ce produit ne convient pas pour faire du jogging ou des promenades en rollers.

Pour éviter toute blessure, maintenir votre enfant à l'écart lors du dépliage et du pliage du produit.

Les accessoires non homologués par le fabricant ne doivent pas être utilisés. Seules les pièces de rechange fournies ou conseillées par le fabricant/distributeur doivent être utilisées.

L'assemblage du produit doit être effectué par un adulte.

Enclenchez **TOUJOURS** le frein de stationnement lorsque vous vous arrêtez.

Tout dommage causé par l'utilisation d'accessoires non fournis par Nuna ne seront pas couverts en termes de garantie.

Les charges attachées à la poignée et/ou au dos du dossier et/ou sur les côtés du dispositif affectent la stabilité du dispositif.

Assurez-vous que la poussette est complètement dépliée et verrouillée avant de laisser votre enfant à proximité de la poussette.

**NE TRANSPORTEZ PAS** d'enfants, de biens ou d'accessoires supplémentaires dans ou sur la poussette, à l'exception des autorisations de ce manuel. Ils pourraient rendre la poussette instable.

**NE LAISSEZ PAS** la poussette exposée à proximité d'une source de chaleur comme un radiateur ou un feu ouvert.

**NE PLACEZ PAS** d'objets sur la voilure.

**NE CONSERVEZ PAS** la poussette dans un endroit humide. Laissez toujours sécher naturellement le tissu à l'écart des sources directes de chaleur.

**N'UTILISEZ PAS** le panier de rangement comme un porte-bébé.

**N'UTILISEZ PAS** la poussette si des pièces sont endommagées ou manquantes.

Pour les sièges auto utilisés avec un châssis, ce dispositif ne remplace pas un berceau ou un lit. Si votre enfant a besoin de dormir, il doit être placé dans un landau, un berceau ou un lit approprié.

Gardez les petites pièces à l'écart des enfants car elles présentent des risques d'étouffement.

Négociez les virages et les terrains délicats avec prudence. Les chocs répétés peuvent endommager la poussette.

**NE LAISSEZ JAMAIS** des enfants se tenir sur la poussette.

**NE TRANSPORTEZ JAMAIS** plus d'un enfant à la fois dans cette poussette.

**N'UTILISEZ JAMAIS** la poussette dans des escaliers ou des escaliers mécaniques. Vous risquez de perdre soudainement le contrôle de la poussette ou votre enfant risque de tomber.

Le harnais doit toujours être correctement adapté et ajusté. Le harnais ne se substitue pas à la surveillance correcte d'un adulte.

Le frein de stationnement doit être enclenché lorsque vous placez ou retirez l'enfant.

Une surcharge, un pliage incorrect et l'utilisation d'accessoires tels que des sièges enfants, des crochets pour sacs, des housses de pluie, des marche-pieds, etc. autres que ceux approuvés par Nuna peuvent endommager ou compromettre la sécurité de la poussette.

Les pneus en caoutchouc peuvent laisser des marques d'éraflures noires sur les surfaces lisses telles que le parquet, les sols stratifiés et le linoléum.

**RISQUE D'ÉTRANGLEMENT** Ne placez pas d'objets avec une ficelle autour du cou de votre enfant, ne suspendez aucune ficelle à ce produit et n'attachez aucune ficelle aux jouets.

Pour éviter tout risque de suffocation, retirez toutes les protections en plastique avant d'utiliser ce produit et détruisez-les ou conservez-les hors de portée des bébés et des enfants !

Pour éviter une condition instable et dangereuse, ne placez pas plus de 4,5 kg dans le panier de rangement et pas plus de 0,45 kg dans la poche de rangement.

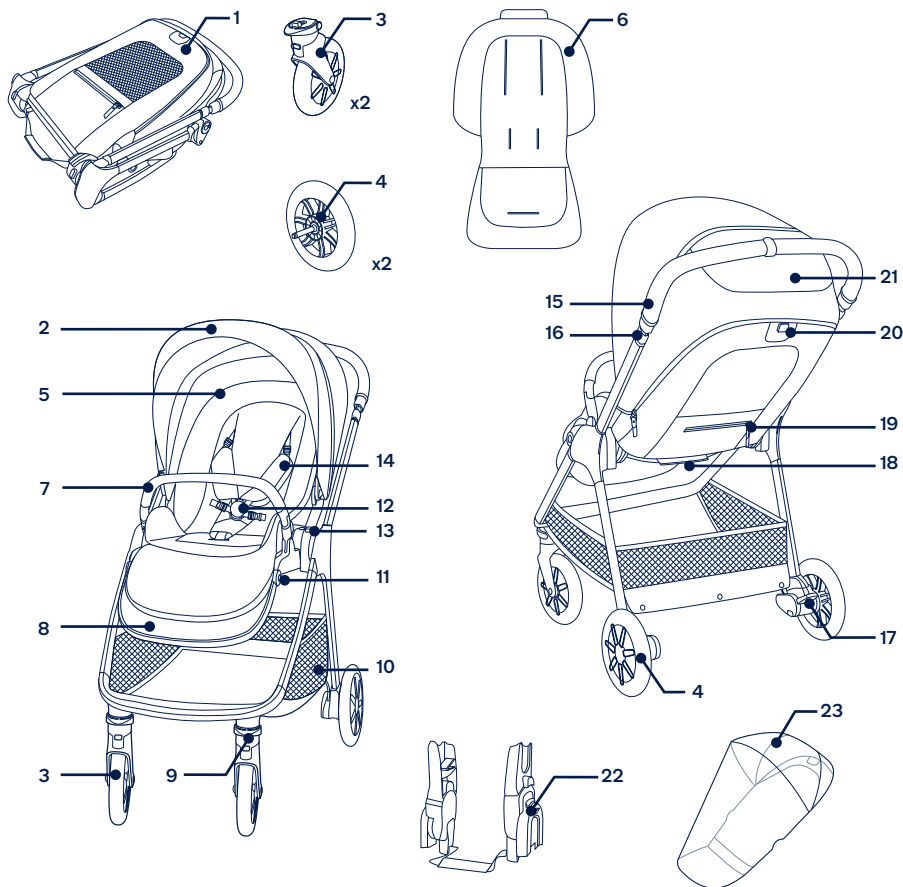
UTILISEZ la position la plus inclinée pour les nouveaux-nés.

Utilisez la poussette avec un enfant pesant moins de 22 kg. Cela endommagera la poussette avec un enfant non installé.

## Liste des pièces

Assurez-vous que toutes les pièces sont présentes avant le montage. Si une pièce est manquante, contactez votre revendeur local. Le montage ne nécessite aucun outil.

- |    |                                     |    |   |
|----|-------------------------------------|----|---|
| 1  | Cadre de poussette                  | 13 | Bouton de déverrouillage du siège                                     |
| 2  | Voilure                             | 14 | Rembourrage du harnais d'épaules                                      |
| 3  | Roue avant (x2)                     | 15 | Poignée   |
| 4  | Roue arrière (x2)                   | 16 | Bouton de réglage de la poignée                                       |
| 5  | Assise de siège                     | 17 | Levier de frein   |
| 6  | Insert                              | 18 | Sangle de pliage  |
| 7  | Barre de sécurité                   | 19 | Poche de rangement (charge maximale = 0,45 kg)                        |
| 8  | Repose-mollets                      | 20 | Bouton de réglage de l'inclinaison/Bouton de déverrouillage du pliage |
| 9  | Verrouillage de pivotement          | 21 | Fenêtre de la voilure   |
| 10 | Panier de rangement                 | 22 | Adaptateurs des éléments de support                                   |
| 11 | Levier de réglage du repose-mollets | 23 | Housse de pluie   |
| 12 | Boucle                              |    |   |



## Configuration du produit

### Ouverture de la poussette

- Retirez le cadre de la poussette. (1)
- Tournez la poignée vers le haut pour ouvrir le cadre de la poussette. (2)
- Tirez le siège pour l'ouvrir. (3)  
Vous entendrez un « clic » signifiant que le siège est ouvert.  
Vérifiez que la poussette est complètement désenclenchée avant de poursuivre.

### Basculement du siège

Veillez basculer le siège si nécessaire.

- Appuyez sur le bouton de déverrouillage du siège (4)-1 et soulevez le siège (4)-2.
- Retournez le siège, puis fixez-le au cadre. (5)  
Vous entendrez un « clic » signifiant que le siège est complètement fixé.

### Roues avant

- Insérez la roue avant dans le piètement avant. (6)  
Vous entendrez un « clic » signifiant que la roue avant est complètement assemblée.  
Vérifiez que la roue est correctement fixée en tirant dessus. Répétez la manipulation sur le côté opposé.
- Pour enlever la roue avant, appuyez sur le bouton de déverrouillage (7)-1 et détachez la roue avant du piètement avant (7)-2.

### Roues arrière

- Insérez la roue arrière dans le piètement arrière. (8)  
Vous entendrez un « clic » signifiant que la roue arrière est complètement assemblée.  
Vérifiez que la roue est correctement fixée en tirant dessus. Répétez la manipulation sur le côté opposé.
- Pour enlever la roue arrière, appuyez sur le bouton de déverrouillage (9)-1 et détachez la roue arrière du piètement arrière (9)-2.

### Barre de sécurité

- ! Attachez toujours l'enfant avec le harnais. La barre de sécurité n'est pas un dispositif de retenue.
- Alignez les extrémités de la barre de sécurité avec les montants de la barre de sécurité et insérez-la jusqu'à ce qu'elle s'enclenche en place. (10)  
Vous entendrez un « clic » signifiant que la barre de sécurité est complètement assemblée.
  - Pour enlever la barre de sécurité, appuyez sur les boutons de déverrouillage de la barre de sécurité (11)-1 et enlevez la barre de sécurité (11)-2.

### Vérification du montage

- Le cadre de la poussette est verrouillé ouvert
- Siège de la poussette solidement fixé
- Roues arrière et avant solidement fixées
- Barre de sécurité solidement fixée

## Utilisation du produit

### Installation de votre enfant

- Appuyez sur le bouton supérieur de la boucle (12)-1 pour libérer le loquet de la boucle et retirer les clips magnétiques (12)-2. Placez votre enfant dans la poussette.
- Insérez les clips magnétiques dans la boucle. (13)
- Ajustez bien le harnais sur votre enfant en tirant sur les sangles d'ajustement pour le serrer (14)-1. Puis tirez les sangles de réglage au niveau de la taille (14)-2.

### Position du harnais d'épaules

- Les boucles supérieures du harnais d'épaules peuvent être remontées et abaissées pour un réglage supplémentaire. (15)  
! Attachez toujours votre enfant avec le harnais pour éviter que l'enfant ne se blesse en tombant ou en glissant du siège.

Assurez-vous que le harnais est correctement ajusté et que votre enfant est bien attaché. L'espace entre l'enfant et le harnais d'épaules doit faire environ l'épaisseur d'un doigt.

**NE CROISEZ PAS** les ceintures d'épaules. Ceci appliquerait une pression sur le cou de l'enfant.

### Voilure

- Pour ouvrir la voilure, tirez la voilure vers l'avant du siège. Pour la plier, repoussez-la. (16)
- Ouvrez la fermeture éclair sur la voilure pour obtenir davantage d'ombre. (17)
- For added ventilation, flip the canopy window cover up. (18)

### Position

Il existe 4 positions d'inclinaison pour le dossier.

- Pour relever ou abaisser le dossier, appuyez sur le bouton de réglage de l'inclinaison (19)-1 et tirez le dossier vers le haut ou le bas (19)-2.  
! Veuillez ne pas appuyer sur le bouton (19)-3 au milieu du bouton de réglage de l'inclinaison. L'inclinaison doit être ajustée correctement avant utilisation.

## Repose-mollets

Le repose-mollets comprend 2 positions d'utilisation.

- 1 - Pour remonter le repose-mollets, soulevez.
- 2 - Pour abaisser le repose-mollets, appuyez sur le bouton de réglage (20)-1, puis poussez vers le bas (20)-2.

## Poignée

La poignée dispose de 5 positions.

- 1 - Pour régler la hauteur de la poignée, tirez le bouton de réglage de la poignée (21)-1 et tirez la poignée vers le haut ou le bas (21)-2.

## Frein

- 1 - Pour verrouiller les roues arrière, appuyez sur le levier de frein. (22)
- 2 - Pour déverrouiller les roues arrière, relevez le levier de frein. (23)

! Enclenchez toujours le frein lorsque la poussette est arrêtée. Poussez légèrement la poussette pour vous assurer que le frein est enclenché.

## Verrouillages de pivotement avant

Il est recommandé d'utiliser les verrous de pivotement avant sur les surfaces irrégulières.

- 1 - Tirez le verrouillage de pivotement avant vers le haut pour verrouiller la roue avant. (24)
- 2 - Poussez le verrouillage de pivotement avant vers le bas pour le déverrouiller. (25)

## Pliage

La poussette peut être pliée avec le siège orienté face à la route, le siège orienté dos à la route ou sans le siège. Avant de plier la poussette, ajustez la poignée à la position la plus basse et assurez-vous que les verrouillages de pivotement avant sont déverrouillés.

- 1 - Pliez la voilure. (26)
- 2 - Appuyez sur le bouton de déverrouillage du pliage (27)-1 au milieu du bouton de réglage de l'inclinaison puis appuyez sur le bouton de réglage de l'inclinaison (27)-2.
- 3 - Pliez le siège. (28)
- 4 - Tirez la sangle de pliage du siège pour plier la poussette. (29)
- 5 - La poussette avec le siège orienté face à la route peut tenir sur ses roues. Avec le siège orienté dos à la route, elle peut tenir sur sa poignée et ses roues arrière. (30)
- 6 - Appuyez sur les boutons de pliage des montants du siège. (31)
- 7 - Pliez la poussette. (32)

! La poussette sans siège peut reposer sur la poignée et les roues avant.

## Insert

- 1 - Pour assembler l'insert, placez l'insert sur le siège et enfitez les harnais d'épaules, ventral et d'entrejambe dans leurs fentes respectives. (33)

## Accessoires

! Les accessoires ne sont pas tous inclus selon le modèle.

## Adaptateurs des éléments de support

Pour l'assemblage et l'utilisation du porte-bébé Nuna et de la nacelle TRIV, veuillez consulter le manuel d'instructions du porte-bébé et de la nacelle.

- 1 - Pour fixer les adaptateurs des éléments de support, placez les adaptateurs des éléments de support sur les montants de siège. Vous entendrez un « clic » signifiant que les adaptateurs des éléments de support sont fixés. (34)(35)
- 2 - Pour fixer le porte-bébé, placez le porte-bébé sur les adaptateurs des éléments de support. Vous entendrez un « clic » signifiant que le porte-bébé est fixé. (36)
- 3 - Pour fixer la nacelle, placez la nacelle sur les adaptateurs des éléments de support. Vous entendrez un « clic » signifiant que la nacelle est fixée. (37)
- 4 - L'angle du porte-bébé et de la nacelle peut être réglé avec nos adaptateurs réglables. (38)
- 5 - En cas d'utilisation face à l'arrière, les lettres sur les adaptateurs des barres seront les mêmes que celles sur le cadre en plastique. (39)
- 6 - En cas d'utilisation face à l'avant, les lettres sur les adaptateurs des barres seront inversées par rapport à celles sur le cadre en plastique. (40)
- 7 - Pour retirer le porte-bébé, appuyez sur les boutons de déverrouillage sur le porte-bébé (41)-1 et soulevez (41)-2.
- 8 - Pour retirer la nacelle, appuyez sur les boutons de déverrouillage sur le côté de la nacelle (42)-1 et soulevez (42)-2.
- 9 - Pour enlever les adaptateurs des éléments de support, tirez sur les boutons de déverrouillage des adaptateurs (43)-1 et soulevez (43)-2.

! Enlevez le porte-bébé et la nacelle avant de plier.

## Plier la poussette avec les adaptateurs des éléments de support

Avant de plier la poussette avec les adaptateurs de barre, réglez la poignée à la position la plus basse et vérifiez que les freins des roues avant sont soient verrouillés.

- 1 - Tirez la sangle de pliage des adaptateurs des éléments de support pour plier la poussette. (44)

! La poussette avec les adaptateurs de barre peut reposer sur la poignée et les roues avant.

## Housse de pluie TRIV

Vérifiez que la voilure est complètement ouverte avant d'attacher la housse de pluie.

- 1 - Pour assembler la housse de pluie, placez-la sur la poussette. (45)

! Vérifiez **TOUJOURS** la ventilation lorsque la housse de pluie est placée sur le produit.

Vérifiez **TOUJOURS** que la housse de pluie a été nettoyée et séchée avant le pliage.

**NE** pliez **PAS** la poussette lorsque la housse de pluie est attachée.

**NE** placez **PAS** votre enfant dans la poussette par temps chaud avec la housse de pluie attachée.

## Détacher et assembler les parties souples

Pour détacher les pièces souples du siège, suivez les étapes (46) - (59) comme indiqué. Pour réassembler les pièces souples du siège, suivez les étapes ci-dessus dans l'ordre inverse.

## Nettoyage et maintenance

Nettoyez le cadre, les pièces en plastique et le tissu à l'aide d'un chiffon humide, mais n'utilisez pas de produits abrasifs ou d'eau de Javel. N'utilisez pas de lubrifiants à base de silicone car ils attirent la saleté et la crasse. Ne conservez pas votre poussette dans un endroit humide.

Nettoyez régulièrement les roues de la poussette avec de l'eau et retirez la saleté.

Pour garantir une longue durée d'utilisation, essayez la poussette avec un chiffon doux et absorbant après l'avoir utilisée par temps pluvieux.

Consultez l'étiquette d'entretien attachée aux pièces souples pour obtenir les instructions de lavage et de séchage.

La coloration du tissu exposé au soleil est normale, tout comme les signes d'usure et de déchirement après une longue période d'utilisation, même normale.

Pour des raisons de sécurité, n'utilisez que les pièces Nuna d'origine.

Contrôlez régulièrement que tout fonctionne correctement. Si des pièces sont déchirées, cassées ou manquantes, arrêtez d'utiliser ce produit.



# WICHTIG – BITTE SORGFÄLTIG LESEN UND FÜR SPÄTERES NACHLESEN UNBEDINGT AUFBEWAHREN

## Produktdaten

Modellnummer: \_\_\_\_\_

Fertigungsdatum: \_\_\_\_\_

### Garantie

Wir haben unsere hochwertigen Produkte so entwickelt, dass Sie mit Ihrem Kind und Ihrer Familie wachsen. Da wir uns durch unsere Produkte hervorheben, ist unser Sortiment je nach Produkt durch eine angepasste Garantie ab Kaufdatum abgedeckt. Bitte halten Sie bei Kontaktaufnahme mit uns Kaufbeleg, Modellnummer und Fertigungsdatum bereit.

Garantieinformationen finden Sie unter:

[www.nunababy.com](http://www.nunababy.com)

Klicken Sie auf der Startseite auf den „Garantie“-Link.

### Kontakt

Wenden Sie sich für Ersatzteile, Service und weitere Garantiefragen an unseren Kundendienst.

[info@nunababy.com](mailto:info@nunababy.com)

[www.nunababy.com](http://www.nunababy.com)

### Anforderungen an die Nutzung mit Kind

Dieser Kinderwagensitz eignet sich für Kinder, die folgende Anforderungen erfüllen:

Geburt bis 22 kg oder 4 Jahre, je nachdem, was zuerst eintritt

Wenn Sie das Kinderwagengestell mit einem Babykorb oder Nuna-Babyschalen verwenden, beachten Sie die in den Anleitungen gelisteten Nutzungsanforderungen.

## ⚠️ WARNUNG

**Nichtbeachtung dieser  
Warnungen und Anweisungen  
könnte zu schweren  
Verletzungen oder zum Tode  
führen.**

Verwenden Sie immer das Rückhaltesystem.

Vergewissern Sie sich vor der Verwendung, dass der Kinderwagenaufsatz oder der Sitzeinheit oder die Befestigungselemente des Autositzes korrekt eingerastet sind.

Lassen Sie das Kind nicht mit dem Produkt spielen.

Vergewissern Sie sich vor Gebrauch, dass alle Verriegelungen eingerastet sind.

Lassen Sie das Kind nie unbeaufsichtigt.

Dieses Produkt ist nicht zum Joggen oder Skaten geeignet.

Vergewissern Sie sich, dass das Kind beim Aufklappen und Zusammenklappen des Wagens außer Reichweite ist, um Verletzungen zu vermeiden.

Nicht vom Hersteller zugelassenes Zubehör sollte nicht verwendet werden. Verwenden Sie nur vom Hersteller/Händler gelieferte oder empfohlene Ersatzteile.

Das Produkt muss von einem Erwachsenen montiert werden.

Verwenden Sie **IMMER** die Feststellbremse, wenn Sie anhalten.

Jegliche durch den Einsatz von Zubehörteilen, die nicht von Nuna bereitgestellt wurden, verursachten Schäden werden nicht durch die Garantie abgedeckt.

Jegliche am Griff und/oder an der Rückseite der Rückenlehne und/oder an den Seiten des Fahrzeugs angebrachte Last wirkt sich auf die Stabilität des Fahrzeugs aus.

Achten Sie darauf, dass der Kinderwagen vollständig montiert und verriegelt ist, bevor Sie Ihr Kind in die Nähe des Kinderwagens lassen.

Transportieren Sie **KEINE** zusätzlichen Kinder, Waren, Zubehörteile im oder auf diesem Kinderwagen, sofern dies in dieser Anleitung nicht erlaubt ist. Andernfalls kann der Kinderwagen instabil werden.

Lassen Sie den Kinderwagen **NICHT** in der Nähe von Hitzequellen wie Heizungen oder offenem Feuer stehen.

Legen Sie **NICHTS** auf das Verdeck.

Bewahren Sie den Kinderwagen **NICHT** an einem feuchten Ort auf. Lassen Sie die Textilien immer auf natürliche Weise trocknen, ohne direkte Hitzeeinwirkung.

Verwenden Sie den Ablagekorb **NICHT** als Kindersitz.

Verwenden Sie den Kinderwagen **NICHT**, falls irgendwelche Teile beschädigt sind oder fehlen.

Auch wenn ein Kind in diesem Sitz gesichert durch Gurte liegen kann, ist er kein Ersatz für ein Bett. Falls Ihr Kind müde ist, sollten Sie es in einen geeigneten Kinderwagen, ein Gitter- bzw. Babybett legen.

Halten Sie Kleinteile von Kindern fern; es besteht Verschluckungsgefahr.

Achten Sie auf Bordsteine und Bodenunebenheiten. Wiederholte Erschütterungen können den Kinderwagen beschädigen.

Lassen Sie Kinder **NIEMALS** auf dem Kinderwagen stehen.

Transportieren Sie **NIEMALS** mehrere Kinder gleichzeitig in diesem Kinderwagen.

Transportieren Sie den Kinderwagen **NIEMALS** über Treppenstufen oder Rolltreppen. Sie könnten plötzlich Kontrolle über den Kinderwagen verlieren oder Ihr Kind könnte herausfallen.

Der Gurt muss immer richtig angebracht und angepasst werden. Der Gurt ist kein Ersatz für angemessene elterliche Aufsicht.

Nutzen Sie die Feststellbremse, wenn Sie das Kind hineinlegen oder herausnehmen.

Überlastung, falsches Aufklappen und der Einsatz von Zubehörteilen wie Kindersitzen, Taschenhaken, Regenschutzabdeckungen, Buggyhalterungen etc., die nicht von Nuna zugelassen sind, können den Kinderwagen beschädigen und Gefahren verursachen.

Gummireifen können schwarze Spuren auf glatten Oberflächen, wie Parkett, Laminat und Linoleum hinterlassen.

**STRANGULATIONSGEFAHR** Legen Sie keine Gegenstände mit einer Schnur um den Hals Ihres Kindes, hängen Sie keine Schnüre an diesem Produkt auf, bringen Sie keine Schnüre an Spielzeugen an.

Vermeiden Sie Erstickungsgefahr, indem Sie vor Benutzung des Produktes sämtliche Kunststoffabdeckungen entfernen und zerstören oder außerhalb der Reichweite von Kindern aufbewahren!

Verhindern Sie einen gefährlichen, instabilen Zustand, indem Sie den Ablagekorb mit nicht mehr als 4,5 kg und die Aufbewahrungstasche mit nicht mehr als 0,45 kg beladen.

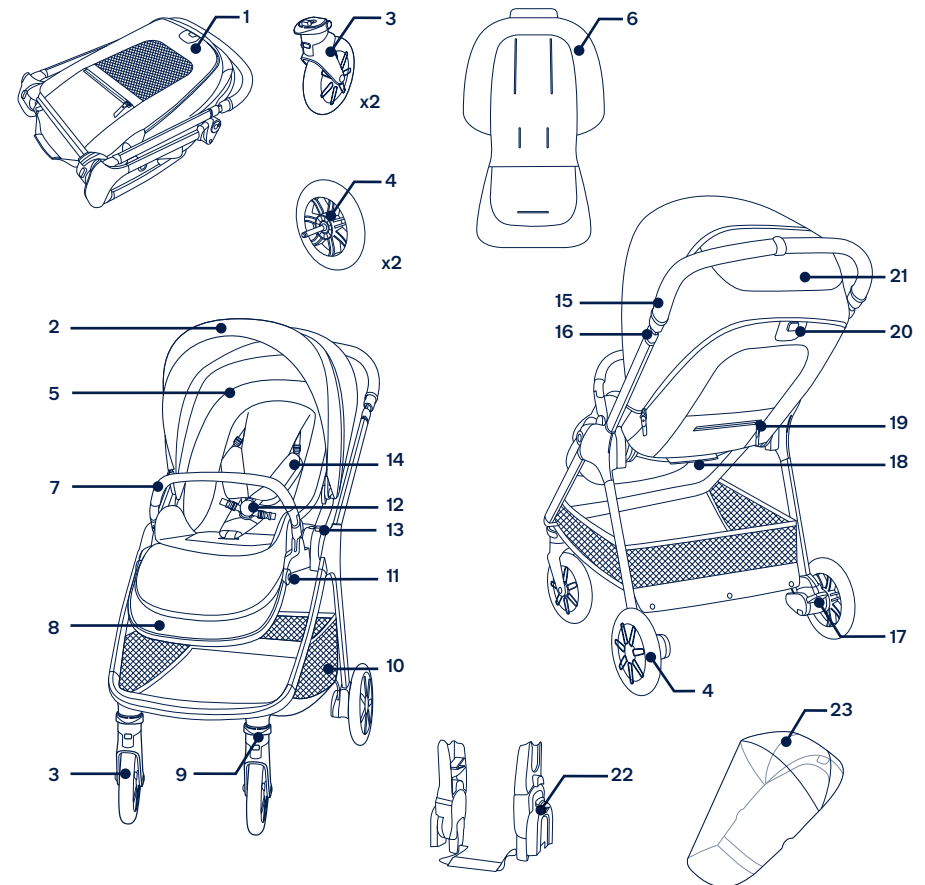
Verwenden Sie die am stärksten geneigte Position für Neugeborene.

Verwenden Sie den Kinderwagen mit einem Kind, das nicht mehr als 22 kg wiegt. Bei einem zu schweren Kind wird der Kinderwagen beschädigt.

## Teileliste

Überprüfen Sie vor der Montage, ob alle Teile vorhanden sind. Falls etwas fehlen sollte, wenden Sie sich an Ihren Händler vor Ort. Für die Montage werden keine Werkzeuge benötigt.

- |    |                           |    |   |
|----|---------------------------|----|---|
| 1  | Kinderwagengestell        | 13 | Sitzfreigabeknopf                             |
| 2  | Verdeck                   | 14 | Schultergurtpolster                           |
| 3  | Vorderrad (x2)            | 15 | Griff   |
| 4  | Hinterrad (x2)            | 16 | Griffeinstellknopf                            |
| 5  | Sitzauflage               | 17 | Bremshebel                                    |
| 6  | Einsatz                   | 18 | Klappgurt                                     |
| 7  | Armlehne                  | 19 | Aufbewahrungstasche (maximale Last = 0,45 kg) |
| 8  | Wadenstütze               | 20 | Neigungseinstellknopf/Faltfreigabeknopf       |
| 9  | Lenksperre                | 21 | Verdeckfenster                                |
| 10 | Ablagekorb                | 22 | Stangenadapter                                |
| 11 | Wadenstütze-Einstellknopf | 23 | Regenschutz                                   |
| 12 | Verschluss                |    |   |



# Produkt aufbauen

## Kinderwagen auseinanderklappen

- 1 - Nehmen Sie das Kinderwagengestell heraus. (1)
- 2 - Drehen Sie den Griff zum Öffnen des Kinderwagengestells nach oben. (2)
- 3 - Ziehen Sie zum Öffnen am Sitz. (3)

Ein **Klickgeräusch** weist darauf hin, dass der Sitz geöffnet ist.

Prüfen Sie, ob der Kinderwagen vollständig eingerastet ist, bevor Sie fortfahren.

## Sitz ausrichten

Bitte richten Sie den Sitz bei Bedarf aus.

- 1 - Drücken Sie den Sitzfreigabeknopf (4)-1 und heben Sie den Sitz an (4)-2.
- 2 - Drehen Sie den Sitz um und bringen Sie ihn am Gestell an. (5)

Ein **Klickgeräusch** weist darauf hin, dass der Sitz vollständig angebracht ist.

## Vorderräder

- 1 - Vorderrad in das vordere Bein einsetzen. (6)

Ein **Klickgeräusch** weist darauf hin, dass das Vorderrad vollständig montiert ist.

Durch Ziehen nach außen prüfen, ob das Rad sicher befestigt ist. Auf der anderen Seite wiederholen.

- 2 - Drücken Sie zum Entfernen des Vorderrads den Freigabeknopf (7)-1 und lösen Sie das Vorderrad vom vorderen Bein (7)-2.

## Hinterräder

- 1 - Hinterrad in das hintere Bein einsetzen. (8)

Ein **Klickgeräusch** weist darauf hin, dass das Hinterrad vollständig montiert ist.

Durch Ziehen nach außen prüfen, ob das Rad sicher befestigt ist. Auf der anderen Seite wiederholen.

- 2 - Drücken Sie zum Entfernen des Hinterrads den Freigabeknopf (9)-1 und lösen Sie das Hinterrad vom hinteren Bein (9)-2.

## Armlehne

! Sichern Sie das Kind immer mit dem Gurt. Die Armlehne ist keine Rückhaltevorrückung.

- 1 - Richten Sie die Armlehnenenden an den Armlehnenhalterungen aus und stecken Sie sie so ein, dass sie hörbar einrasten. (10)

Ein **Klickgeräusch** weist darauf hin, dass die Armlehne vollständig montiert ist.

- 2 - Entfernen Sie die Armlehne, indem Sie die Armlehnen-Freigabeköpfe (11)-1 drücken und die Armlehne abnehmen (11)-2.

### Montage prüfen

- Kinderwagengestell ist geöffnet und verriegelt
- Kinderwagensitz ist sicher angebracht
- Hinter- und Vorderräder sicher befestigt
- Armlehne sicher befestigt

# Produkt verwenden

## Ihr Kind sichern

- 1 - Drücken Sie den oberen Knopf am Verschluss (12)-1 zur Freigabe des Verschlussriegels und entfernen Sie die magnetischen Clips (12)-2. Setzen Sie Ihr Kind in den Kinderwagen.
- 2 - Stecken Sie die magnetischen Clips in den Verschluss. (13)
- 3 - Legen Sie den Gurt eng an Ihr Kind an, indem Sie die Verstellriemen festziehen (14)-1. Ziehen Sie dann die Tailleneinstellgurte nach oben (14)-2.

## Schultergurt positionieren

- 1 - Die oberen Schultergurtverschlüsse können zur Anpassung nach oben und unten verschoben werden. (15)

! Um schwere Verletzungen aufgrund von Herausfallen oder -gleiten zu verhindern, sichern Sie Ihr Kind stets mit Gurten ab.

Stellen Sie sicher, dass der Gurt richtig angepasst und Ihr Kind zuverlässig gesichert ist. Der Abstand zwischen dem Kind und dem Schulterriemen sollte etwa die Dicke eines Fingers betragen.

Legen Sie die Schultergurte **NICHT** überkreuz. Dadurch wird Druck im Nacken des Kindes erzeugt.

## Verdeck

- 1 - Öffnen Sie das Verdeck, indem Sie das Verdeck zur Vorderseite des Sitzes ziehen; drücken Sie es zum Schließen nach hinten. (16)
- 2 - Öffnen Sie den Reißverschluss am Verdeck, um mehr Schatten zu spenden. (17)
- 3 - Für zusätzliche Belüftung klappen Sie die Abdeckung des Verdeckfensters nach oben. (18)

## Neigung

Die Rückenlehne hat 4 Neigungspositionen.

- 1 - Sie können die Rückenlehne anheben oder absenken, indem Sie den Neigungseinstellknopf (19)-1 drücken und die Rückenlehne nach oben oder unten ziehen (19)-2.

! Bitte drücken Sie nicht den Knopf (19)-3 in der Mitte des Neigungseinstellknopfs bei Anpassung des Neigungswinkels. Achten Sie darauf, die Neigung zur Verwendung sachgemäß anzupassen.

## Wadenstütze

Die Wadenstütze besitzt 2 Einstellpositionen.

- 1 - Drücken Sie die Wadenstütze zum Anheben nach oben.
- 2 - Senken Sie die Wadenstütze ab, indem Sie den Einstellknopf (20)-1 drücken und nach unten drücken (20)-2.

## Griff

Der Griff hat 5 Positionen.

- 1 - Passen Sie die Griffhöhe an, indem Sie den Griffstellknopf (21)-1 und den Griff nach oben oder unten ziehen (21)-2.

## Bremse

- 1 - Sperren Sie die Hinterräder, indem Sie auf den Bremshebel treten. (22)
- 2 - Lösen Sie die Hinterräder, indem Sie den Bremshebel anheben. (23)

! Betätigen Sie die Bremse, wenn der Kinderwagen gestoppt ist. Drücken Sie leicht gegen den Kinderwagen, um sicherzustellen, dass die Bremse aktiviert ist.

## Vordere Lenkstopp

Die vorderen Lenkstopp empfehlen sich auf unebenem Untergrund.

- 1 - Ziehen Sie den vorderen Lenkstopp zur Verriegelung des Vorderrads (24)
- 2 - Drücken Sie den vorderen Lenkstopp nach innen. (25)

## Zusammenklappen

Der Kinderwagen kann mit nach vorne gerichtetem Sitz, nach hinten gerichtetem Sitz oder ohne Sitz nicht zusammengeklappt werden. Passen Sie den Griff vor dem Zusammenklappen auf die niedrigste Position an und stellen Sie sicher, dass die vorderen Lenkstopp gelöst sind.

- 1 - Falten Sie das Verdeck ein. (26)
- 2 - Drücken Sie den Klappfreigabeknopf (27)-1 in der Mitte des Neigungseinstellknopfs und drücken Sie den Neigungseinstellknopf zusammen (27)-2.
- 3 - Klappen Sie den Sitz ein. (28)
- 4 - Ziehen Sie den Klappgurt des Sitzes zum Zusammenklappen des Kinderwagens. (29)
- 5 - Der Kinderwagen mit nach vorne gerichtetem Sitz kann auf den Rädern stehen, mit nach hinten gerichteten Sitz steht er auf Griff und Hinterrädern. (30)

- 6 - Drücken Sie die Klapptasten der Sitzhalterungen. (31)

- 7 - Klappen Sie den Kinderwagen zusammen. (32)

! Der Kinderwagen ohne Sitz kann auf dem Griff und den vorderen Rädern stehen.

## Einsatz

- 1 - Montieren Sie den Einsatz, indem Sie ihn über dem Sitz platzieren und Schulter-, Gurt- und Schrittgrut durch ihre entsprechenden Schlitze fädeln. (33)

## Zubehör

! Bei einigen Modellen werden nicht alle Zubehörteile mitgeliefert.

## Stangenadapter

Bei Montage und Verwendung einer Babyschale Nuna oder eines TRIV-Babykorbs beachten Sie bitte die Bedienungsanleitung von Babyschale bzw. Babykorb.

- 1 - Bringen Sie die Stangenadapter an, indem Sie sie an den Sitzhalterungen platzieren. Ein **Klickgeräusch** zeigt an, dass die Stangenadapter befestigt sind. (34)(35)
  - 2 - Bringen Sie die Babyschale an, indem Sie sie auf den Stangenadaptern platzieren. Ein **Klickgeräusch** weist darauf hin, dass die Babyschale montiert ist. (36)
  - 3 - Bringen Sie den Babykorb an, indem Sie ihn an den Stangenadaptern platzieren. Ein **Klickgeräusch** weist darauf hin, dass der Babykorb montiert ist. (37)
  - 4 - Der Winkel von Babytrage und Babyschale kann mit unseren verstellbaren Adaptern angepasst werden. (38)
  - 5 - Bei Verwendung entgegen der Fahrtrichtung entsprechen die Buchstaben an den Stangenadaptern denen am Kunststoffteil des Gestells. (39)
  - 6 - Bei Verwendung in Fahrtrichtung stehen die Buchstaben an den Stangenadaptern denen am Kunststoffteil des Gestells gegenüber. (40)
  - 7 - Entfernen Sie die Babyschale, indem Sie die Freigabeköpfe an der Babyschale (41)-1 drücken und die Babyschale anheben (41)-2.
  - 8 - Entfernen Sie den Babykorb, indem Sie die Freigabeköpfe an der Seite des Babykorbs (42)-1 drücken und den Babykorb anheben (42)-2.
  - 9 - Entfernen Sie die Stangenadapter, indem Sie die Adapterfreigabeköpfe (43)-1 drücken und den Korb anheben (43)-2.
- ! Entfernen Sie Babyschale und Babykorb vor dem Zusammenklappen.

## Kinderwagen mit Stangenadaptern zusammenklappen

Passen Sie vor dem Zusammenklappen des Kinderwagens mit Stangenadaptern den Griff auf die niedrigste Position an. Zudem sollten Sie die schwenkbaren Fronträder arretieren.

1 - Ziehen Sie den Klappgurt der Stangenadapter zum Zusammenklappen des Kinderwagens. (44)

! Der Kinderwagen mit Stangenadaptern kann auf dem Griff und den vorderen Rädern stehen.

## Regenschutz für TRIV

Prüfen Sie, ob das Verdeck vollständig geöffnet ist, bevor Sie den Regenschutz anbringen.

1 - Bringen Sie den Regenschutz an, indem Sie ihn über dem Kinderwagen platzieren. (45)

! Prüfen Sie **STETS** die Belüftung, wenn der Regenschutz am Produkt angebracht ist.

Achten Sie **IMMER** darauf, den Regenschutz vor dem Einsatz zu reinigen und zu trocknen.

Klappen Sie den Kinderwagen **NICHT** zusammen, während der Regenschutz angebracht ist.

Setzen Sie Ihr Kind an heißen Tagen **NICHT** in den Kinderwagen, wenn der Regenschutz angebracht ist.

## Textilteile anbringen und entfernen

Befolgen Sie zum Abnehmen der Textilteile des Kindes wie abgebildet die Schritte (46) - (59). Befolgen Sie die obigen Schritte zum Wiederanbringen der Textilteile des Sitzes in umgekehrter Reihenfolge.

## Reinigung und Wartung

Reinigen Sie Gestell, Kunststoffteile und Textilien mit einem feuchten Tuch. Verzichte Sie auf Scheuer- und Bleichmittel. Verwenden Sie keine Silikonöle, da diese Schmutz und Dreck anziehen. Bewahren Sie Ihren Kinderwagen nicht an einem feuchten Ort auf.

Reinigen Sie die Räder des Kinderwagens regelmäßig mit Wasser, entfernen Sie den Schmutz.

Zur Gewährleistung einer langen Einsatzzeit Ihres Kinderwagens sollten Sie es nach Benutzung bei Regenwetter mit einem weichen, saugfähigen Tuch abwischen.

Beachten Sie zum Waschen und Trocknen das Pflegeetikett an den Textilteilen.

Es ist selbst bei gewöhnlichem Gebrauch normal, dass Textilien nach langer Benutzung durch Sonnenlicht verblassen und Verschleißerscheinungen aufweisen.

Verwenden Sie aus Sicherheitsgründen nur Nuna-Originalteile.

Prüfen Sie regelmäßig, ob alles richtig funktioniert. Verwenden Sie das Produkt nicht länger, falls Teile verschlissen oder beschädigt sind oder fehlen.

# BELANGRIJK! ZORGVULDIG LEZEN EN BEWAREN VOOR RAADPLEGING IN DE TOEKOMST

## Productinformatie

Modelnummer: \_\_\_\_\_

Fabricagedatum: \_\_\_\_\_

## Garantie

Wij hebben onze hoogwaardige producten opzettelijk zo ontworpen dat ze kunnen mee kunnen groeien met zowel uw kind als uw familie. Omdat wij achter ons product staan, wordt onze uitrusting gedekt door een aangepaste garantie per product, beginnend op de dag van aanschaf. Houd het aankoopbewijs, het modelnummer en de fabricagedatum klaar als u contact met ons opneemt.

Ga voor garantie-informatie naar:

[www.nunababy.com](http://www.nunababy.com)

Klik op de link "Garantie" op de homepage.

## Contact

Neem contact op met onze klantenservice-afdelingen voor vervangende onderdelen, service of aanvullende vragen over de garantie.

[info@nunababy.com](mailto:info@nunababy.com)

[www.nunababy.com](http://www.nunababy.com)

## Vereisten kindergebruik

Dit kinderwagenzitje is geschikt voor gebruik met kinderen die aan de volgende eisen voldoen:

Geboorte tot 22 kg of 4 jaar, als dat zich eerder voordoet

Bij gebruik van het kinderwagenframe met de draagwieg of Nuna-babyzitjes moet u de vereisten voor kindergebruik in deze handleidingen volgen.

## ⚠️WAAR-SCHUWING

Niet-naleving van de waarschuwingen en de instructies kan ernstig letsel of de dood veroorzaken.

Altijd het veiligheidstuigje gebruiken.

Controleer voor gebruik of het wiegje, het kinderwagenzitje, of het autostoeltje goed vast zit op het kinderwagenchassis.

Laat het kind niet met dit product spelen.

Zorg ervoor dat alle vergrendelingsmechanismes vast zitten voor dat je het product gebruikt.

Nooit het kind zonder toezicht laten.

Dit product is niet geschikt om mee hard te lopen of te skeeleren.

Zorg ervoor dat het kind uit de buurt is tijdens het in- en uitklappen van het product om letsel te voorkomen.

Gebruik geen toebehoren die niet door de fabrikant zijn goedgekeurd. Gebruik uitsluitend vervangende onderdelen die zijn geleverd of aanbevolen door de fabrikant/distributeur.

Montage door volwassene vereist.

**ALTIJD** op de handrem zetten als u stopt.

Alle schade als gevolg van het gebruik van accessoires die niet door Nuna zijn geleverd, wordt niet gedekt door de garantie.

Elke last bevestigd aan de greep of op de achterkant van de rugsteun of de zijkanten van het voertuig beïnvloedt de stabiliteit van het voertuig.

Zorg ervoor dat de kinderwagen volledig geopend en vergrendeld is voordat u uw kind in de buurt laat komen.

Vervoer **GEEN** extra kinderen, goederen, accessoires in of op de wandelwagen, behalve op de manier zoals toegestaan in deze handleiding. Hierdoor kan het wandelwagen instabiel worden.

**NIET** de wandelwagen laten staan in de buurt van een krachtige warmtebron zoals een kachel of open vuur.

**NIETS** op de kap leggen.

Bewaar de kinderwagen **NIET** in een vochtige omgeving. Laat het materiaal altijd op natuurlijke wijze drogen, uit de buurt van warmtebronnen.

De opbergmand **NIET** gebruiken om een kind in te plaatsen.

De kinderwagen **NIET** gebruiken bij gebroken of ontbrekende onderdelen.

Voor autostoeltjes die gebruikt worden in combinatie met een chassis, vervangt dit voertuig geen draagwieg of bed. Als uw kind moet slapen, moet u het in een geschikte kinderwagen, wieg of bed leggen.

Houd kleine onderdelen uit de buurt van kinderen want deze vormen een gevaar voor verstikking.

Wees voorzichtig bij stoepranden en ongelijkmatige grond. Herhaalde schokken kunnen de wandelwagen beschadigen.

Laat kinderen **NOOIT** op de wandelwagen staan.

**NOOIT** meer dan één kind tegelijk in de wandelwagen meedragen.

Gebruik de wandelwagen **NOOIT** op trappen of roltrappen. U kunt plotseling de controle over de wandelwagen verliezen of uw kind kan eruit vallen.

De gordels moeten altijd goed zijn vastgezet en ingesteld. De gordels zijn geen vervanging voor toezicht van een volwassene.

Bij het plaatsen en verwijderen van het kind moet de parkeerrem geactiveerd zijn.

Overbelasten, onjuist opvouwen, en het gebruik van accessoires zoals kinderzitjes, tashaken, regenkappen, meerrijdplankjes, enz. anders dan goedgekeurd door Nuna, kunnen de wandelwagen beschadigen of onveilig maken.

Rubberbanden kunnen zwarte strepen achterlaten op gladde oppervlakken zoals parket, laminaat en linoleum.

**GEVAAR VOOR VERSTIKKING** Geen voorwerpen met een koord rond de hals van uw kind hangen, de koorden van dit product laten hangen of koorden aan speelgoed bevestigen.

Om gevaar voor verstikking te voorkomen, moet u alle plastic afdekkingen verwijderen voordat u dit product gebruikt en deze vernietigen of uit de buurt van baby's en kinderen houden.

Voor het voorkomen van een gevaarlijke, onstabiele situatie moet u niet meer dan 4,5 kg plaatsen in de opbergmand en niet meer dan 0,45 kg in de opslagzak.

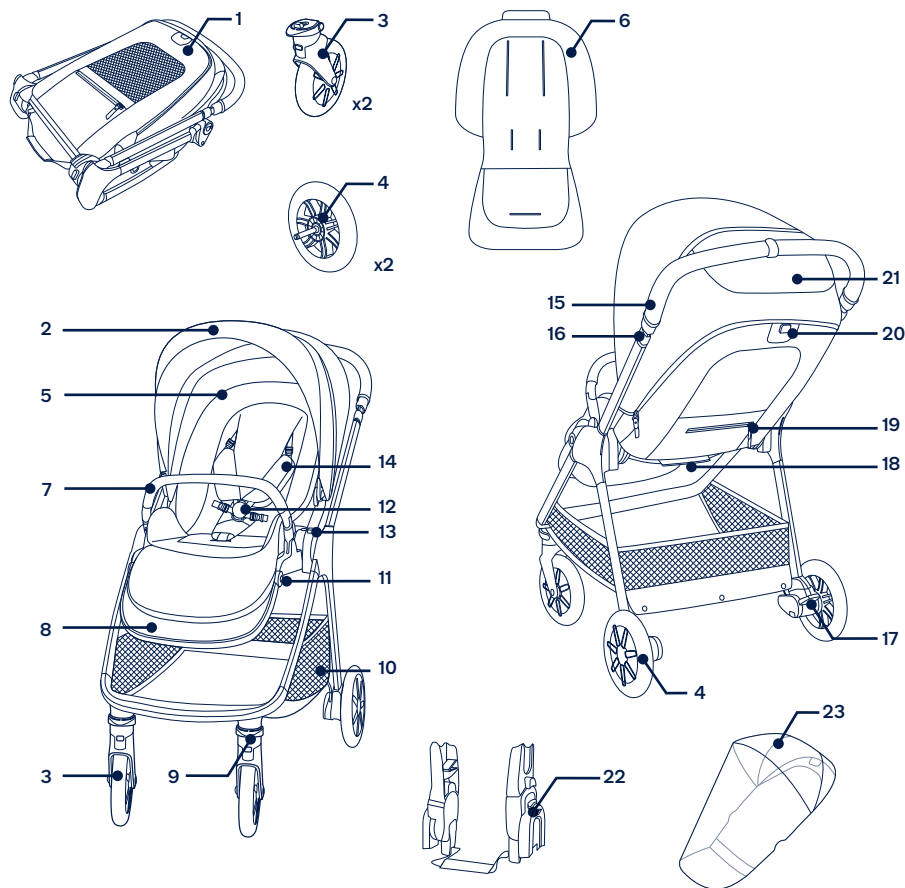
Gebruik de meest achteroverhellende stand voor pasgeboren baby's.

Gebruik de wandelwagen voor een kind dat niet meer dan 22 kg weegt. Als het kind niet past, kan dit de wandelwagen beschadigen.

## Onderdelenlijst

Zorg dat alle onderdelen voor het opslaan droog zijn. Als er items ontbreken of beschadigd zijn, kunt u contact opnemen met uw leverancier. Voor de montage is geen gereedschap nodig.

- |                              |   |
|------------------------------|---|
| 1 Wandelwagenframe           | 13 Ontgrendelknop zitje                             |
| 2 Kap                        | 14 Schoudergordelkussens                            |
| 3 Voorwiel (x2)              | 15 Handgreep  |
| 4 Achterwiel (x2)            | 16 Instelknop handgreep                             |
| 5 Zitkussen                  | 17 Remgreep   |
| 6 Inzetstuk                  | 18 Opvouwbare gordel                                |
| 7 Armsteun                   | 19 Opslagzak (maximale belasting= 0,45 kg)          |
| 8 Kuitsteun                  | 20 Instelknop schuine stand/Ontgrendelknop opvouwen |
| 9 Draaislot                  | 21 Raampje van de kap                               |
| 10 Opbergmand                | 22 Steunadapters                                    |
| 11 Instelknop voor kuitsteun | 23 Regenkap   |
| 12 Gesp                      |   |



## Installeren

### Open kinderwagen

- 1 - Neem het frame van de wandelwagen eruit. (1)
- 2 - Draai de hendel omhoog om het frame van de wandelwagen te openen. (2)
- 3 - Trek aan het zitje om het te openen. (3)  
Een "klik"-geluid betekent dat het zitje is geopend.  
Controleer of het wandelwagentje volledig open is gezet voor u doorgaat.

### Zitje omdraaien

Draai het zitje indien nodig om.

- 1 - Druk op de ontgrendelknop (4)-1 en til het zitje op (4)-2.
- 2 - Draai het zitje om en bevestig het vervolgens aan het frame. (5)  
Een "klik"-geluid betekent dat het zitje volledig is bevestigd

### Voorwielen

- 1 - Steek het voorwiel in de voorste poot. (6)  
Een "klik"-geluid betekent dat het wiel volledig is bevestigd.  
Controleer of het wiel goed vastzit door het naar buiten te trekken. Herhaal dit aan de andere kant.
- 2 - Om het voorwiel te verwijderen: druk op de ontgrendelknop (7)-1 en maak het voorwiel los van de voorpoot (7)-2.

### Achterwielen

- 1 - Steek het achterwiel in de achterste poot. (8)  
Een "klik"-geluid betekent dat het achterwiel volledig is bevestigd.  
Controleer of het wiel goed vastzit door het naar buiten te trekken. Herhaal dit aan de andere kant.
- 2 - Om het achterwiel te verwijderen: druk op de ontgrendelknop (9)-1 en maak het achterwiel los van de achterpoot (9)-2.

### Armsteun

- ! Zet het kind altijd vast met de gordel. De armsteun is geen bevestigingsmiddel.
- 1 - Lijn de armsteun uit met de armsteunbeugels en steek hem er in tot hij op zijn plaats klikt. (10)  
Een "klik"-geluid betekent dat de armsteun volledig is bevestigd.
  - 2 - Om de armsteun te verwijderen, drukt u op de armsteunontgrendelknoppen (11)-1 en verwijdert u de armsteun (11)-2.

### Controleer de installatie

- Het frame van de kinderwagen is geopend en vergrendeld
- Het zitje is stevig bevestigd
- De achter- en voorwielen zijn stevig bevestigd
- De armsteun is stevrig bevestigd

## Gebruik product

### Uw kind beveiligen

- 1 - Druk op de bovenste knop op de gesp (12)-1 voor het vrijgeven van de gespbeugel en het verwijderen van de magnetische klemmen (12)-2. Plaats uw kind in de wandelwagen.
- 2 - Steek de magnetische klemmen in de gesp. (13)
- 3 - Pas de gordels strak om uw kind door aan de instelbandjes te trekken om vast te maken (14)-1 te schuiven. Trek vervolgens de taille-instelbandjes naar buiten (14)-2.

### Positie schouderriemen

- 1 - De bovenste schouderriemgespen kunnen omhoog en omlaag worden geschoven voor een nauwkeuriger afstelling. (15)  
! Om ernstig letsel te voorkomen door uit de stoel vallen of glijden, moet u uw kind altijd met de riemen vastzetten.  
Zorg er voor dat de riemen goed zijn afgesteld en dat uw kind stevig vast zit. De ruimte tussen het kind en de schouderriemen moet ongeveer de dikte van een vinger zijn.

De schouderriemen NIET kruisen. Dat veroorzaakt druk op de nek van het kind.

### Kap

- 1 - Om de kap te openen, trekt u deze naar voren over de voorkant van het stoeltje, en om hem dicht te vouwen, drukt u hem terug. (16)
- 2 - Open de rits op de kap voor extra schaduw. (17)
- 3 - Klap het raampje van de kap omhoog voor extra ventilatie. (18)

### Helling

Er zijn 4 schuine standen voor de rugsteun.

- 1 - Om de rugsteun omhoog of omlaag te brengen, knijpt u de instelknop in (19)-1 en trekt u de rugsteun omhoog of omlaag (19)-2.  
! Druk niet op de knop (19)-3 in het midden van de instelhendel schuinstand bij het aanpassen van de hoek voor de schuinstand.  
Controleer of de helling goed is ingesteld.

## Kuitsteun

De kuitsteun heeft 2 standen.

- 1 - Trek de kuitsteun omhoog om deze hoger te plaatsen.
- 2 - Druk op de instelknoppen in het midden van de kuitsteun (20)-1 en druk de steun omlaag (20)-2.

## Hendel

De handgreep heeft 5 standen.

- 1 - Om de hoogte van de greep in te stellen, trekt u aan de hoogte-instelknop (21)-1 en schuift u de greep omhoog of omlaag (21)-2.

## Rem

- 1 - Trap op de remhendel om de achterwielen vast te zetten. (22)
  - 2 - Licht de remhendel op om de achterwielen los te maken. (23)
- ! Gebruik de rem altijd als de kinderwagen stilstaat. Druk de kinderwagen iets vooruit om te controleren of de rem vast zit.

## Draaien van voorwielen blokkeren

Aanbevolen wordt om de draaiblokkering voor de voorwielen op ongelijke oppervlakken te gebruiken.

- 1 - Trek de voorste draaiblokkering omhoog om het voorwiel te vergrendelen. (24)
- 2 - Duw de voorste draaiblokkering omlaag om te ontgrendelen. (25)

## Opvouwen

U kunt de kinderwagen opvouwen met vooruit kijkend zitje of achteruit kijkend zitje of zonder het zitje. Stel voor het opvouwen van de kinderwagen de greep in op de laagste stand en zorg ervoor dat de voorste zwenkwielen ontgrendeld zijn.

- 1 - Vouw de kap op. (26)
  - 2 - Druk op de ontgrendelknop opvouwen (27)-1 op het midden van de instelknop achterover hellen en knijp vervolgens in de instelknop achterover hellen (27)-2.
  - 3 - Vouw het zitje op. (28)
  - 4 - Trek aan het opvouwbare gaas van het zitje om de wandelwagen op te vouwen. (29)
  - 5 - De wandelwagen met vooruit kijkend zitje kan staan met de wielen, en met achteruit kijkend zitje kan het staan met de handgreep en de achterwielen. (30)
  - 6 - Druk op de opvouwknoppen van de zitsteunen. (31)
  - 7 - Vouw de wandelwagen op. (32)
- ! De kinderwagen zonder zitje kan staan op de greep en de voorwielen.

## Inzetstuk

- 1 - Voor het monteren van het inzetstuk, plaatst u het inzetstuk over het zitje en voert u de schouder-, heup- en kruisgordel door de desbetreffende sleuven. (33)

## Accessoires

- ! NIET alle accessoires worden bij alle modellen meegeleverd.

## Steunadapters

Zie de handleiding van de babydraagmodule en de draagwieg voor montage en gebruik van de babydraagmodule Nuna en TRIV-draagwieg.

- 1 - Voor het bevestigen van de steunadapters plaatst u de steunadapters op de zitsteunen. Een "klik"-geluid betekent dat de steunadapters zijn bevestigd. (34)(35)
  - 2 - Voor het bevestigen van de babydraagmodule, plaatst u de babydraagmodule op de steunadapters. Een klikkend geluid betekent dat de babydraagmodule is bevestigd. (36)
  - 3 - Voor het bevestigen van de draagwieg plaatst u de draagwieg op de steunadapters. Een "klik"-geluid betekent dat de draagwieg is bevestigd. (37)
  - 4 - De hoek van de babydraagmodule en de draagwieg kan worden afgesteld met onze instelbare adapters. (38)
  - 5 - Indien gebruikt in de achteruit kijkende modus, zijn de letters op de steunadapters dezelfde als die op het plastic van het frame. (39)
  - 6 - Indien gebruikt in de vooruit kijkende modus, zijn de letters op de steunadapters tegenovergesteld aan die op het plastic van het frame. (40)
  - 7 - Om het babyzitje te verwijderen, knijpt u de ontgrendelknoppen in (41)-1 en tilt u het babyzitje op (41)-2.
  - 8 - Voor het verwijderen van de draagwieg drukt u op de ontgrendelknoppen aan de zijkant van de draagwieg (42)-1 en tilt u de draagwieg omhoog (42)-2.
  - 9 - Voor het verwijderen van de steunadapters, trekt u aan de ontgrendelknoppen van de adapter (43)-1 en tilt u op (43)-2.
- ! Verwijder de babydraagmodule en de draagwieg voorafgaand aan het opvouwen.

## Vouw de wandelwagen op met steunadapters

Stel voor het opvouwen van de kinderwagen met steunadapters de greep in op de laagste stand en zorg er voor dat de voorste zwenkwielen vergrendeld zijn.

- 1 - Trek aan het opvouwbare gaas van de steunadapters voor het opvouwen van de wandelwagen. (44)
- ! De kinderwagen met de steunadapters kan staan op de greep en de voorwielen.

## TRIV regenkap

Controleer dat de kap volledig geopend is voorafgaand aan het bevestigen van de regenkap.

- 1 - Plaats de regenkap over de wandelwagen om deze te monteren. (45)
- ! Controleer ALTIJD de ventilatie met name bij warm weer als het product is afgedekt door de regenkap.
- Controleer ALTIJD of de regenkap schoon en droog is voor u deze weer opvouwt.
- Vouw de wandelwagen NIET op wanneer de regenkap is bevestigd.
- Plaats uw kind NIET in de wandelwagen in warm weer en met de regenkap bevestigd.

## Zachte voorwerpen los-en vastmaken

Voor het losmaken van zachte goederen, volgt u de stappen (46) - (59) als getoond, en om de zachte goederen weer te bevestigen, gaat u in omgekeerde volgorde te werk.

## Reiniging en onderhoud

Reinig het frame, de plastic onderdelen en het weefsel met een vochtige doek, maar gebruik geen schurende middelen of bleekwater. Gebruik geen silicone smeermiddelen omdat ze vuil en roet aantrekken. Bewaar de kinderwagen niet in een vochtige omgeving.

Reinig de wielen regelmatig met water en verwijder het vuil.

Om er voor te zorgen dat de kinderwagen lang meegaat, moet u hem na gebruik in de regen afvegen met een zachte absorberende doek.

Raadpleeg het wasetiket dat aan de zachte goederen is bevestigd voor was- en drooginstructies.

Het is normaal dat materialen verkleuren door blootstelling aan zonlicht en na langdurig gebruik slijtage vertonen, zelfs bij gangbaar gebruik.

Uit veiligheidsoverwegingen mag u uitsluitend originele onderdelen van Nuna gebruiken.

Controleer regelmatig of alles nog goed werkt. Gebruik de kinderwagen niet meer als onderdelen zijn gescheurd, gebroken of ontbreken.

# IMPORTANTE! LEGGERE ATTENTAMENTE E CONSERVARE PER RIFERIMENTO FUTURO

## Informazioni sul prodotto

Numero modello: \_\_\_\_\_

Prodotto in (data): \_\_\_\_\_

### Garanzia

Abbiamo progettato appositamente i nostri prodotti di alta qualità in modo che crescano con il bambino e con la famiglia. Poiché crediamo nel nostro prodotto, i meccanismi sono coperti da una garanzia personalizzata per prodotto che comincia dal giorno dell'acquisto. Al momento di contattarci, sono necessari la prova d'acquisto, il numero di modello e la data di produzione.

Per informazioni sulla garanzia, visitare il sito: [www.nunababy.com](http://www.nunababy.com)  
Fare clic sul link "Garanzia" nella homepage.

### Recapito

Per la sostituzione di parti, manutenzione o domande sulla garanzia, contattare il dipartimento di assistenza al cliente.

[info@nunababy.com](mailto:info@nunababy.com)  
[www.nunababy.com](http://www.nunababy.com)

### Requisiti di utilizzo da parte del bambino

Questa seduta del passeggino è adatta per l'uso con bambini con i seguenti requisiti:

Dalla nascita a 22 kg o 4 anni, qualunque degli eventi si verifichi prima

Quando si utilizza il telaio del passeggino con le culle portatili Nuna, fare riferimento ai requisiti di utilizzo da parte del bambino elencati nei manuali di istruzioni.

## ⚠ AVVERTENZA

**La mancata osservanza delle seguenti avvertenze e istruzioni potrebbe causare lesioni gravi o decesso.**

Utilizzare sempre il sistema di ritenuta.

Prima dell'uso controllare che i meccanismi di aggancio della seduta, della navicella o del seggiolino auto siano correttamente agganciati.

**NON** lasciare che il bambino giochi con questo prodotto.

Prima dell'uso assicurarsi che tutti i meccanismi di bloccaggio siano correttamente agganciati.

**NON** lasciare mai il bambino incustodito.

Questo prodotto non è adatto per correre o pattinare.

Per evitare lesioni o ferimenti assicurarsi che il bambino sia a debita distanza durante le operazioni di apertura e chiusura del prodotto.

Gli accessori non approvati dal produttore non devono essere usati. Utilizzare solo le parti di ricambio fornite o consigliate dal produttore/distributore.

Il prodotto deve essere montato solo da adulti.

Quando ci si ferma, applicare **SEMPRE** il freno di stazionamento.

Eventuali danni causati dall'uso di accessori non forniti da Nuna non saranno coperti dalla garanzia.

Qualsiasi carico sulla maniglia, sul retro dello schienale e/o sui lati del veicolo influisce sulla stabilità del veicolo stesso.

Assicurarsi che il passeggino sia completamente eretto e bloccato prima che il bambino si avvicini ad esso.

**NON** trasportare altri bambini, prodotti o accessori nel o sul passeggino, salvo nei casi ammessi nel presente manuale. Possono causare l'instabilità del passeggino.

**NON** lasciare il passeggino esposto nei pressi di forti fonti di calore, come ad esempio un radiatore o una fiamma libera.

**NON** mettere mai nessun oggetto sul tettuccio.

**NON** lasciare il passeggino in sosta in luoghi umidi. Lasciare sempre che il tessuto si asciughi naturalmente lontano da fonti di calore dirette.

**NON** utilizzare il cestello di conservazione per il trasporto del bambino.

**NON** utilizzare il passeggino nel caso in cui alcuni componenti siano danneggiati o mancanti.

Per i seggiolini per auto utilizzati in combinazione con un telaio, questo veicolo non sostituisce una culla o un letto. Se il bambino ha necessità di dormire deve essere messo nella sua culla o nel lettino.

Tenere lontano dai bambini i piccoli componenti, perché possono costituire un pericolo di soffocamento.



Affrontare cordoli di marciapiedi e pavimentazioni sconnesse con molta attenzione. Gli urti ripetuti potrebbero causare danni al passeggino.

**NON** lasciare mai che i bambini stiano in piedi sul passeggino.

**NON** trasportare mai più di un bambino per volta sul passeggino.

**NON** utilizzare mai il passeggino su scale o scale mobili. Si potrebbe perdere improvvisamente il controllo del passeggino o il bambino potrebbe cadere.

La cintura deve essere sempre correttamente applicata e regolata. La cintura non sostituisce l'attenta supervisione di un adulto.

Il freno di stazionamento deve essere inserito quando si mette o toglie il bambino.

Il sovraccarico, l'errata piegatura e l'uso di accessori, come per es. seggiolini per bambini, ganci per borse, coperture anti pioggia, piani d'appoggio per passeggini, ecc..., diversi da quelli approvati da Nuna possono danneggiare il passeggino.

Le ruote in gomma possono lasciare dei segni neri su superfici lisce, come il parquet, il laminato e il linoleum.

**PERICOLO DI STRANGOLAMENTO** Non collocare oggetti dotati di lacci attorno al collo del bambino, appendere i lacci di questo prodotto o fissare i lacci ai giocattoli.

Per evitare il pericolo di soffocamento, prima di ogni utilizzo togliere tutte le coperture di plastica ed eliminarle o tenerle lontane da neonati e bambini!

Per evitare condizioni pericolose e instabili, non collocare più di 4,5 kg nel cestello di conservazione e più di 0,45 kg nella tasca portaoggetti.

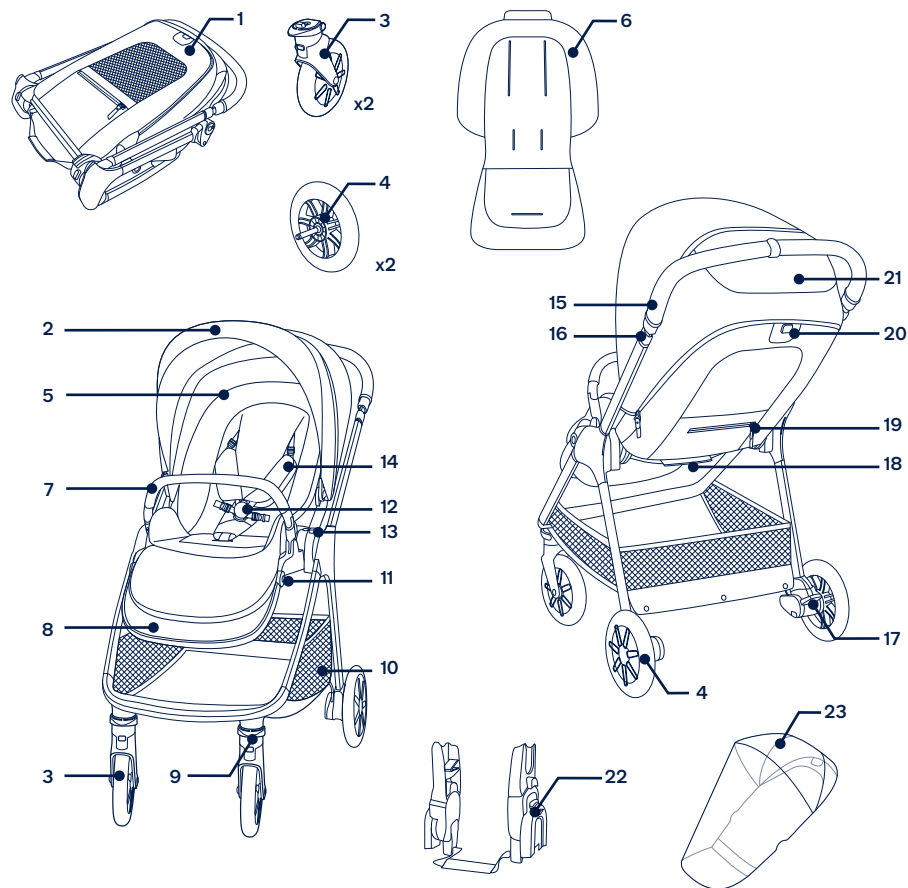
Per i neonati, **UTILIZZARE** la posizione più inclinata.

Usare il passeggino con bambini di peso non superiore a 22 kg. Se il bambino è troppo grande, si potrebbero causare danni al passeggino.

## Elenco componenti

Assicurarsi che tutti i pezzi siano disponibili prima dell'assemblaggio. Se manca qualche pezzo, contattare il rivenditore locale. Per l'assemblaggio non è necessario nessun attrezzo.

- |    |   |    |   |
|----|---|----|---|
| 1  | Telaio passeggino                             | 13 | Pulsante di rilascio seggiolino   |
| 2  | Tettuccio                                     | 14 | Imbottitura per briglia avvolgispalla   |
| 3  | Ruota anteriore (x2)                          | 15 | Maniglia  |
| 4  | Ruota posteriore (x2)                         | 16 | Pulsante di regolazione della maniglia  |
| 5  | Imbottitura                                   | 17 | Leva del freno  |
| 6  | Insero  | 18 | Cinghia pieghevole  |
| 7  | Bracciolo                                     | 19 | Tasca portaoggetti (carico massimo = 0,45 kg)                                 |
| 8  | Supporto per la gamba                         | 20 | Pulsante di regolazione della reclinazione/<br>Pulsante di rilascio piegatura |
| 9  | Bloccaggi orientabili                         | 21 | Finestrella del tettuccio   |
| 10 | Cestello di conservazione                     | 22 | Adattatori di sostegno  |
| 11 | Pulsante di regolazione supporto per la gamba | 23 | Copertura anti pioggia  |
| 12 | Fibbia  |    |   |



# Configurazione del prodotto

## Apertura del passeggino

- 1 - Estrarre il telaio del passeggino. (1)
- 2 - Ruotare la maniglia verso l'alto per aprire il telaio del passeggino. (2)
- 3 - Tirare la seduta per aprirlo. (3)  
Quando si sente il "clic" significa che il seggiolino è aperto.

Verificare che il passeggino sia completamente bloccato aperto prima di continuare.

## Inversione del seggiolino

Se necessario, invertire il seggiolino.

- 1 - Premere il pulsante di rilascio (4)-1 e sollevare il seggiolino (4)-2.
- 2 - Invertire il seggiolino, quindi fissarlo al telaio. (5)  
Quando si sente il "clic" significa che il seggiolino è completamente fissato.

## Ruote anteriori

- 1 - Inserire la ruota anteriore nella gamba anteriore. (6)

Quando si sente il "clic" significa che la ruota anteriore è montata completamente.

Verificare che la ruota sia saldamente fissata cercando di estrarla. Ripetere sul lato opposto.

- 2 - Per rimuovere la ruota anteriore, premere il pulsante di rilascio (7)-1 e staccare la ruota anteriore alla gamba anteriore (7)-2.

## Ruote posteriori

- 1 - Inserire la ruota posteriore nella gamba posteriore. (8)

Quando si sente il "clic" significa che la ruota posteriore è montata completamente.

Verificare che la ruota sia saldamente fissata cercando di estrarla. Ripetere sul lato opposto.

- 2 - Per rimuovere la ruota posteriore, premere il pulsante di rilascio (9)-1 e staccare la ruota posteriore alla gamba posteriore (9)-2.

## Bracciolo

! Proteggere sempre il bambino con la cintura. Il bracciolo non è un dispositivo di ritenuta.

- 1 - Allineare le estremità del bracciolo con i supporti del bracciolo e inserire finché non scatta in posizione. (10)

Quando si sente il "clic" significa che il bracciolo è montato completamente.

- 2 - Per rimuovere il bracciolo, premere i pulsanti di rilascio del bracciolo (11)-1 e rimuovere il bracciolo (11)-2.

## Controllo dell'installazione

- Il telaio del passeggino è bloccato aperto
- La seduta del passeggino è saldamente fissata
- Le ruote posteriori e anteriori sono saldamente fissate
- Bracciolo fissato saldamente

## Uso del prodotto

### Bloccaggio del telefono

- 1 - Premere il pulsante superiore sulla fibbia (12)-1 per sganciare la fibbia di bloccaggio e rimuovere i fermagli magnetici (12)-2. Disporre il bambino nel passeggino.
- 2 - Inserire i fermagli magnetici nella fibbia. (13)
- 3 - Applicare la cintura al bambino tirando le cinghie di regolazione per serrare (14)-1. Quindi, estrarre le cinghie di regolazione inguinali (14)-2.

### Posizione della cintura per le spalle

- 1 - È possibile spostare verso l'alto e il basso le fibbie della cintura avvolgispalla superiori. (15)

! Per evitare gravi lesioni a seguito di caduta o scivolamento, allacciare il bambino con le cinture.

Assicurarsi che la cintura sia regolata correttamente e che il bambino sia perfettamente allacciato. Lo spazio tra il bambino e la cintura per le spalle deve essere di circa lo spessore di un dito.

**NON** incrociare le cinture per le spalle. Ciò provocherà pressione sul collo del bambino.

## Tettuccio

- 1 - Per aprire il tettuccio, tirarlo verso la parte anteriore della seduta e, per piegarlo, spingerlo verso il retro. (16)
- 2 - Aprire la cerniera sul tettuccio per ottenere più ombra. (17)
- 3 - Per una maggiore ventilazione, inclinare la copertura della finestrella del tettuccio. (18)

## Reclinazione

Lo schienale può essere regolato in 4 diverse posizioni di reclinazione.

- 1 - Per sollevare o abbassare lo schienale, premere il pulsante di regolazione della reclinazione (19)-1 e tirare la seduta verso l'alto o il basso (19)-2.

! **NON** premere il pulsante di sgancio (19)-3 al centro del pulsante di regolazione della reclinazione quando si regola l'angolo di reclinazione. Assicurarsi che la reclinazione sia regolata correttamente per l'uso.

## Supporto per la gamba

Il supporto per la gamba ha 2 posizioni di utilizzo.

- 1 - Per sollevare il supporto per la gamba, sollevarlo.
- 2 - Per abbassare il supporto per la gamba, premere il pulsante di regolazione (20)-1 e spingerlo verso il basso (20)-2.

## Maniglia

La maniglia ha 5 posizioni.

- 1 - Per regolare l'altezza della maniglia, tirare il pulsante di regolazione della maniglia (21)-1 e tirare la maniglia verso l'alto o il basso (21)-2.

## Freno

- 1 - Per bloccare le ruote posteriori, abbassare la leva del freno. (22)
- 2 - Per sbloccare le ruote posteriori, sollevare la leva del freno. (23)

! Applicare sempre il freno quando si arresta il passeggino. Spingere leggermente il passeggino per assicurarsi che il freno sia inserito.

## Bloccaggi anteriori orientabili

Raccomandiamo di utilizzare i bloccaggi orientabili anteriori sulle superfici irregolari.

- 1 - Tirare verso l'alto il bloccaggio orientabile anteriore per bloccare la ruota anteriore. (24)
- 2 - Spingere verso il basso il bloccaggio orientabile anteriore per sbloccare. (25)

## Piegatura

Il passeggino può essere piegato con la seduta rivolta in posizione di marcia o in posizione contraria al senso di marcia oppure senza seduta. Prima di piegare il passeggino, regolare la maniglia sulla posizione più bassa e assicurarsi che i bloccaggi orientabili anteriori siano sbloccati.

- 1 - Piegare il tettuccio. (26)
- 2 - Premere il pulsante di rilascio piegatura (27)-1 al centro del pulsante di regolazione della reclinazione, quindi premere il pulsante di regolazione della reclinazione (27)-2.
- 3 - Piegare la seduta. (28)
- 4 - Tirare la cinghia pieghevole della seduta per piegare il passeggino. (29)

- 5 - Il passeggino con la seduta rivolta in posizione di marcia può rimanere eretto dalle ruote e con la seduta rivolta in posizione contraria al senso di marcia può rimanere eretto dalla maniglia e dalle ruote posteriori. (30)

- 6 - Premere i pulsanti di piegatura dei supporti della seduta. (31)

- 7 - Piegare il passeggino. (32)

! Il passeggino senza seduta può rimanere eretto dalla maniglia e dalle ruote anteriori.

## Inserto

- 1 - Per montare l'inserto, collocarlo sopra il sedile e infilare le cinture per le spalle, le cinture inguinali e l'imbracatura spartigambe nelle rispettive fessure. (33)

## Accessori

! **NON** tutti gli accessori sono compresi in alcuni modelli.

## Adattatori di sostegno

Per il montaggio e l'uso della culla portatile Nuna o con la culla portatile TRIV, fare riferimento al relativo manuale di istruzioni.

- 1 - Per fissare gli adattatori di sostegno, collocarli sui supporti del seggiolino. Quando si sente il "clic" significa che gli adattatori di sostegno sono fissati. (34)(35)
- 2 - Per fissare la culla portatile, collocarla sugli adattatori di sostegno. Quando si sente il "clic" significa che la culla portatile è fissata. (36)
- 3 - Per fissare la culla portatile, collocarla sugli adattatori di sostegno. Quando si sente il "clic" significa che la culla portatile è fissata. (37)
- 4 - L'angolo della culla portatile e della navicella può essere regolato con gli adattatori regolabili. (38)
- 5 - Se utilizzato in modalità contraria al senso di marcia, le lettere sugli adattatori di sostegno sono le stesse di quelle sulla plastica del telaio. (39)
- 6 - Se utilizzato in modalità senso di marcia, le lettere sugli adattatori di sostegno sono opposti a quelle sulla plastica del telaio. (40)
- 7 - Per rimuovere la culla portatile, premere i pulsanti di rilascio sulla culla portatile(41)-1 e sollevarla (41)-2.
- 8 - Per rimuovere la culla portatile, premere i pulsanti di rilascio sul lato della culla portatile (42)-1 e sollevarla (42)-2.
- 9 - Per rimuovere gli adattatori di sostegno, premere i pulsanti di rilascio dell'adattatore (43)-1 e sollevarla (43)-2.

! Rimuovere la culla portatile prima di piegare.

## Piegare il passeggino con gli adattatori di sostegno

Prima di piegare il passeggino con gli adattatori di sostegno, regolare la maniglia sulla posizione più bassa e assicurarsi che i bloccaggi orientabili anteriori siano bloccati.

1 - Tirare la cinghia pieghevole degli adattatori di sostegno per piegare il passeggino. (44)

! Il passeggino con gli adattatori di sostegno può rimanere eretto dalla maniglia e dalle ruote anteriori.

## Copertura anti pioggia TRIV

Controllare che il tettuccio sia completamente aperto prima di fissare la copertura anti pioggia.

1 - Per assemblare la copertura anti pioggia, collocarla sopra il passeggino. (45)

! Con la copertura anti pioggia applicata al passeggino, controllare **SEMPRE** la ventilazione.

Controllare **SEMPRE** che la copertura anti pioggia sia pulita e asciutta prima di ripiegarla.

**NON** piegare il passeggino quando la copertura anti pioggia è ancora fissata.

**NON** far sedere il bambino nel passeggino con la copertura anti pioggia montata quando fa caldo.

## Rimozione e montaggio del rivestimento imbottito

Per staccare il rivestimento imbottito del sedile, seguire le procedure (46) - (59) mostrate e per rimontare il rivestimento imbottito del sedile, invertire le procedure di cui sopra.

## Pulizia e manutenzione

Pulire il telaio, le parti in plastica e il tessuto con un panno umido, ma senza utilizzare prodotti abrasivi o candeggina. Non utilizzare lubrificanti al silicone, in quanto attraggono sporcizia e polvere. Non lasciare il passeggino in sosta in luoghi umidi.

Pulire regolarmente le ruote del passeggino con acqua eliminando lo sporco.

Per assicurare una lunga durata, dopo averlo usato con la pioggia, strofinare il passeggino con un panno assorbente morbido.

Fare riferimento all'etichetta di cura presente sul rivestimento imbottito per istruzioni di lavaggio e asciugatura.

È normale che i tessuti si scoloriscano per effetto della luce solare e che presentino tracce di usura dopo un lungo periodo d'uso, anche se utilizzati in modo normale.

Per ragioni di sicurezza, utilizzare soltanto ricambi originali Nuna.

Controllare periodicamente se tutto funziona correttamente. Se alcune parti sono danneggiate, rotte o mancanti, cessare di utilizzare questo prodotto.

# ¡IMPORTANTE! LEAR DETENIDAMENTE Y CONSERVAR PARA FUTURAS CONSULTAS

## Información del producto

Número de modelo: \_\_\_\_\_

Fecha de fabricación: \_\_\_\_\_

## Garantía

Hemos diseñado a propósito nuestros productos de alta calidad para que puedan crecer tanto con su hijo como con su familia. Como respaldamos nuestros productos, nuestros artículos están cubiertos por una garantía a medida para cada producto, a partir de la fecha en la que fue adquirido. Tenga preparada la prueba de compra, el número de modelo y la fecha de fabricación cuando se ponga en contacto con nosotros.

Para obtener información acerca de la garantía, visite: [www.nunababy.com](http://www.nunababy.com)  
Haga clic en el enlace "Garantía" en la página de inicio.

## Contacto

Para obtener información sobre piezas de repuesto y servicio técnico, o para resolver dudas acerca de la garantía adicional, póngase en contacto con nuestro departamento de atención al cliente.

[info@nunababy.com](mailto:info@nunababy.com)  
[www.nunababy.com](http://www.nunababy.com)

## Requisitos de los niños para su uso

Este asiento para cochecito es apto para su uso con niños que cumplan los siguientes requisitos:

Desde el nacimiento hasta 22 kg o 4 años, lo que ocurra primero

Cuando utilice la estructura del cochecito con el capazo o los portabebés Nuna, consulte los requisitos de los niños para su uso que se indican en sus respectivos manuales de instrucciones.

## ⚠ ADVERTENCIA

Si no sigue las advertencias e instrucciones que se exponen a continuación, podría provocar graves lesiones o, incluso, la muerte.

Usar siempre el sistema de retención.

Comprobar que los dispositivos de sujeción del capazo, del asiento o de la silla de coche están correctamente engranados antes del uso.

**NO** permita que el niño juegue con este producto.

Asegurarse de que todos los dispositivos de cierre están engranados antes del uso.

**NO** dejar nunca al niño desatendido.

Este producto no es adecuado para correr o patinar.

Para evitar lesiones, asegúrese de que el niño se mantiene alejado durante el desplegado y el plegado de este producto.

**NO** utilice accesorios que no estén aprobados por el fabricante. Utilice únicamente las piezas de recambio proporcionadas o recomendadas por el fabricante o distribuidor.

El montaje solo podrá ser realizado por personas adultas.

Ponga **SIEMPRE** el freno de estacionamiento cuando se detenga.

Cualquier daño causado por el uso de accesorios no suministrados por Nuna no estará cubierto por la garantía.

Si cuelga algún objeto del manillar y/o en la parte trasera del respaldo y/o de los laterales del cochecito, la estabilidad del cochecito se verá afectada.

Asegúrese de que el cochecito está totalmente erguido y bloqueado antes de permitir que el niño se acerque a él.

**NO** deberá llevar más niños, objetos o accesorios en el cochecito, a excepción de lo que se indica en este manual. Si lo hace, podría provocar que el cochecito se vuelva inestable.

**NO** deje el cochecito expuesto cerca de una fuente que desprenda demasiado calor como, por ejemplo, un radiador o una chimenea.

**NO** coloque ningún objeto sobre la capota.

**NO** guarde su cochecito en lugares húmedos. Deje siempre que su tejido se seque al aire libre, alejado del calor directo.

**NO** utilice la cesta portaobjetos como portabebés.

**NO** utilice este cochecito si falta alguna de sus piezas o si alguna de ellas está dañada.

En asientos de vehículo que se utilicen con un chasis, este vehículo no sustituye a una cuna ni una cama. Si su hijo necesita dormir, deberá colocarlo sobre una cuna, una cama o un capazo adecuado.

Mantenga las piezas pequeñas fuera del alcance de los niños, ya que existe el riesgo de asfixia.

Cuando pase por bordillos y suelos irregulares, hágalo con cuidado. Un impacto repetido podría dañar el cochecito.

**NUNCA** deje que los niños se pongan de pie sobre el cochecito.

**NUNCA** lleve a más de un niño al mismo tiempo en el cochecito.

**NUNCA** utilice el cochecito en escaleras convencionales o mecánicas. Podría perder repentinamente el control del cochecito o su hijo podría caerse.

El arnés deberá estar siempre bien colocado y ajustado correctamente. El arnés no sustituye la supervisión adecuada de un adulto.

El freno de estacionamiento deberá estar engranado cuando coloque y retire al niño.

Si sobrecarga, pliega de forma incorrecta o utiliza accesorios como asientos para niños, enganches para bolsos, capotas impermeables, patinetes Buggy Board, etc. que no estén aprobados por Nuna, podría dañar el cochecito o provocar que este ya no sea seguro.

Las gomas de las ruedas pueden dejar marcas en superficies lisas como el parqué, el suelo laminado o el de linóleo.

**RIESGO DE ESTRANGULAMIENTO** No coloque objetos con cordones alrededor del cuello del niño, no deje que cuelguen cordones de este producto ni ate los cordones a ningún juguete.

¡Para evitar el riesgo de asfixia, retire los plásticos que lo recubren antes de utilizar este producto y destrúyalos o manténgalos fuera del alcance de bebés y niños!

Para evitar riesgos y la inestabilidad del producto, no coloque más de 4,5 kg de peso en la cesta portaobjetos ni más de 0,45 kg en el bolsillo de almacenamiento.

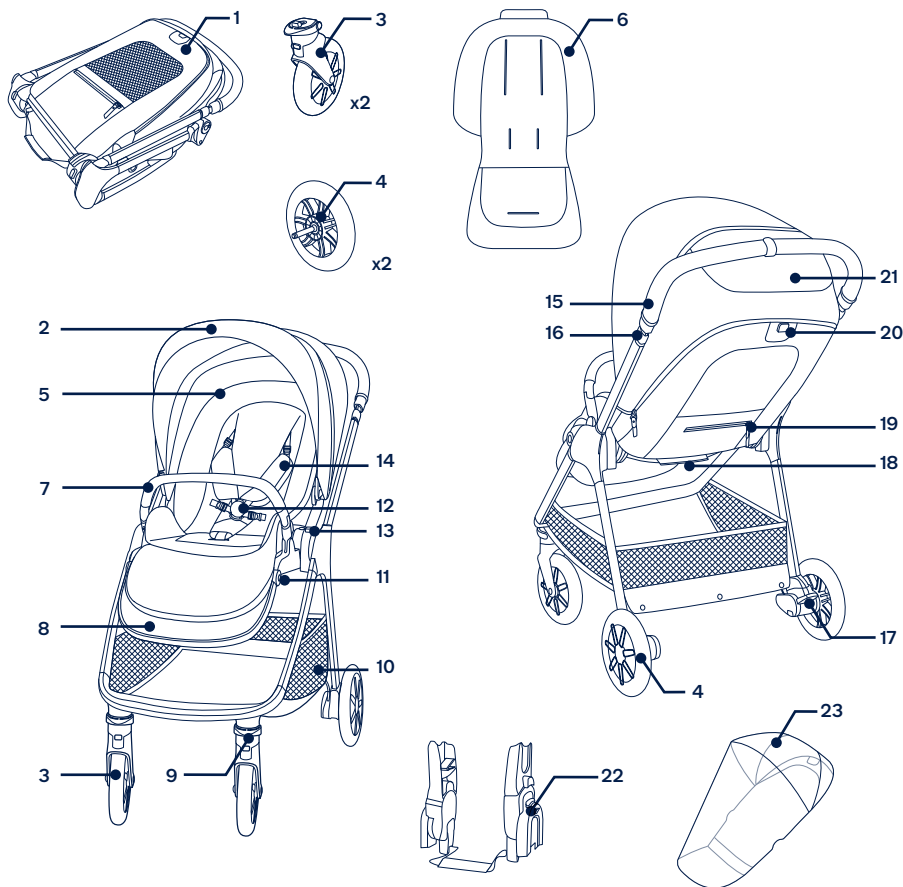
USE la posición lo más reclinada posible para recién nacidos.

Esta sillita está diseñada para niños con un peso inferior a 22 kg. Con niños de más peso, la sillita puede romperse.

## Lista de piezas

Asegúrese de que están disponibles todas las piezas antes de montar el producto. Si falta alguna pieza, póngase en contacto con su proveedor local. No se necesita ninguna herramienta para el montaje.

- |  |  |
|--|--|
| 1 Estructura del cochecito                           | 13 Botón de desbloqueo del asiento                               |
| 2 Capota   | 14 Acolchado del arnés para los hombros                          |
| 3 Rueda delantera (x2)                               | 15 Manillar  |
| 4 Rueda trasera (x2)                                 | 16 Botón de ajuste del manillar                                  |
| 5 Acolchado del asiento                              | 17 Palanca del freno   |
| 6 Accesorio  | 18 Cincha de plegado   |
| 7 Reposabrazos                                       | 19 Bolsa de almacenamiento (carga máxima = 0,45 kg)              |
| 8 Soporte para las pantorrillas                      | 20 Botón de ajuste de inclinación/Botón de desbloqueo de plegado |
| 9 Bloqueo de las ruedas giratorias                   | 21 Ventana de la capota  |
| 10 Cesta portaobjetos                                | 22 Adaptadores de alimentación                                   |
| 11 Botón de ajuste del soporte para las pantorrillas | 23 Capota impermeable  |
| 12 Hebilla   |  |



## Montaje del producto

### Abrir el cochecito

- 1 - Saque la estructura del cochecito. (1)
- 2 - Gire el asa hacia arriba para abrir la estructura del cochecito. (2)
- 3 - Tire del asiento para abrirlo. (3)  
Cuando oiga un "clik", significará que el asiento está abierto.  
Compruebe que el cochecito está completamente abierto y bloqueado antes de continuar.

### Cambio del asiento

Cambie de asiento si es necesario.

- 1 - Presione el botón de desbloqueo del asiento (4)-1 y levante dicho asiento (4)-2.
- 2 - Invierta el asiento y acóplelo a la estructura. (5)  
Cuando oiga un "clik", significará que el asiento está completamente acoplado.

### Ruedas delanteras

- 1 - Introduzca la rueda delantera dentro de la pata delantera. (6)  
Cuando oiga un "clik", significará que la rueda delantera está completamente montada.  
Compruebe que la rueda está colocada de forma segura tirando de ella. Repita este paso en el lado contrario.
- 2 - Para quitar la rueda delantera, presione el botón de desbloqueo (7)-1 y desmóntela de la pata delantera (7)-2.

### Ruedas traseras

- 1 - Introduzca la rueda trasera dentro de la pata trasera. (8)  
Cuando oiga un "clik", significará que la trasera está completamente montada.  
Compruebe que la rueda está colocada de forma segura tirando de ella. Repita este paso en el lado contrario.
- 2 - Para quitar la rueda trasera, presione el botón de desbloqueo (9)-1 y desmóntela de la pata trasera (9)-2.

### Reposabrazos

- ! Asegure siempre al niño con el arnés. El reposabrazos no es un dispositivo de sujeción.
- 1 - Alinee los extremos del reposabrazos con los soportes del reposabrazos e introdúzcalo hasta que quede sujeto en su posición mediante el sonido de un clic. (10)  
Cuando escuche un "clik", significará que el reposabrazos está completamente montado.

- 2 - Para quitar el reposabrazos, presione los botones de desbloqueo de dicho reposabrazos (11)-1 y quite este (11)-2.

### Comprobar el montaje

- La estructura del cochecito se abre con seguro
- El asiento del cochecito está bien sujeto
- Las ruedas traseras y delanteras están fijadas de forma segura
- El reposabrazos está fijado de forma segura

## Uso del producto

### Asegurar al niño

- 1 - Presione el botón superior de la hebilla (12)-1 para liberar el seguro de la hebilla y quitar los enganches magnéticos (12)-2. Coloque a su hijo en el cochecito.
- 2 - Introduzca los enganches magnéticos en la hebilla. (13)
- 3 - Ajuste el arnés perfectamente a su hijo tirando de las correas de ajuste para apretar (14)-1. A continuación, tire de las correas de ajuste de la cintura hacia fuera (14)-2.

### Posición del arnés de los hombros

- 1 - Las hebillas del arnés para los hombros superiores se pueden mover hacia arriba y hacia abajo para un mayor ajuste. (15)  
! Con el fin de evitar lesiones graves como consecuencia de caídas o resbalones, mantenga al niño sujeto con el arnés en todo momento.

Asegúrese de que el arnés está ajustado correctamente y de que su hijo está sujeto cómodamente. El espacio entre el niño y el arnés para los hombros deberá ser del grosor de un dedo más o menos.

**NO** cruce los cinturones de los hombros. Si lo hace, podría presionar el cuello del niño.

### Capota

- 1 - Para abrir la capota, tire de ella hacia adelante del asiento; y para plegarla, empújela hacia atrás. (16)
- 2 - Abra la cremallera de la capota para obtener más sombra y ventilación. (17)
- 3 - Para una mayor ventilación, levante la cubierta de la ventana de la capota. (18)

## Reclinación

El respaldo puede colocarse en 4 posiciones de reclinación.

- 1 - Para subir o bajar el respaldo, presione el botón de ajuste de la reclinación (19)-1 y tire del respaldo hacia arriba o hacia abajo (19)-2.

! No presione el botón de desbloqueo (19)-3 situado en el centro del botón de ajuste de reclinación cuando ajuste el ángulo para la reclinación. Asegúrese de que ajusta la reclinación de forma adecuada para su uso.

## Soporte para las pantorrillas

Se puede utilizar el soporte para las pantorrillas en 2 posiciones distintas.

- 1 - Para elevar el soporte para las pantorrillas, tire de él hacia arriba.
- 2 - Para bajar el soporte para las pantorrillas, pulse el botón de ajuste (20)-1 y empuje hacia abajo (20)-2.

## Manillar

El manillar se puede colocar en 5 posiciones distintas.

- 1 - Para ajustar la altura del manillar, pulse el botón de ajuste del manillar (21)-1 y tire del manillar hacia arriba o hacia abajo (21)-2.

## Freno

- 1 - Para bloquear las ruedas traseras, pise la palanca del freno. (22)
- 2 - Para desbloquear las ruedas traseras, levante la palanca del freno. (23)

! Ponga siempre el freno cuando el cochecito esté parado. Empuje el cochecito ligeramente para asegurarse de que el freno está accionado.

## Bloqueos de las ruedas giratorias delanteras

Se recomienda utilizar los bloqueos de las ruedas giratorias delanteras sobre las superficies irregulares.

- 1 - Tire del bloqueo de las ruedas giratorias delanteras hacia arriba para bloquear la rueda delantera. (24)
- 2 - Presione los bloqueos de las ruedas giratorias delanteras para desbloquearlas. (25)

## Plegar

El cochecito se puede plegar con el asiento orientado hacia adelante o con el asiento orientado hacia atrás o sin el asiento. Antes de plegar el cochecito, ajuste el manillar en la posición más baja y asegúrese de que los bloqueos de las ruedas giratorias delanteras están desbloqueados.

- 1 - Pliegue la capota. (26)
- 2 - Presione el botón de desbloqueo de plegado (27)-1 situado en el centro del botón de ajuste de reclinación y, a continuación, presione el botón de ajuste de reclinación (27)-2.

- 3 - Pliegue el asiento. (28)
  - 4 - Tire de la cincha de plegado del asiento para plegar el cochecito. (29)
  - 5 - El cochecito con el asiento orientado hacia adelante puede sostenerse con las ruedas, y el con asiento orientado hacia atrás puede sostenerse mediante el asa y las ruedas traseras. (30)
  - 6 - Presione los botones de plegado de los soportes del asiento. (31)
  - 7 - Pliegue el cochecito. (32)
- ! El cochecito sin asiento puede sostenerse mediante el manillar y las ruedas delanteras.

## Accesorio

- 1 - Para ensamblar el accesorio, colóquelo sobre el asiento y pase los arneses para los hombros, la cintura y la entrepierna a través de sus respectivas ranuras. (33)

## Accesorios

! NO todos los accesorios están incluidos en algunos modelos.

## Adaptadores de tubo

Para el portabebés Nuna y el uso y el montaje del capazo TRIV, consulte los manuales de instrucciones correspondientes.

- 1 - Para acoplar los adaptadores de tubo, colóquelos en los soportes del asiento. Cuando oiga un "clic" significará que los adaptadores de tubo están acoplados. (34)(35)
  - 2 - Para acoplar el portabebés, colóquelo en los adaptadores de tubo. Cuando escuche un "clic" significará que el portabebés está completamente acoplado. (36)
  - 3 - Para acoplar el capazo, colóquelo en los adaptadores de tubo. Cuando escuche un "clic" significará que el capazo está completamente acoplado. (37)
  - 4 - El ángulo del portabebés y del capazo se puede regular con nuestros adaptadores ajustables. (38)
  - 5 - Cuando se usa con la orientación hacia atrás, las letras de los adaptadores del poste son las mismas que las del plástico del marco. (39)
  - 6 - Cuando se usa con la orientación hacia adelante, las letras de los adaptadores del poste son opuestas a las del plástico del marco. (40)
  - 7 - Para quitar el portabebés, pulse los botones de desbloqueo ubicados en el portabebés (41)-1 y levántelo (41)-2.
  - 8 - Para retirar el capazo, presione los botones de desbloqueo del lado del capazo (42)-1 y levante (42)-2.
  - 9 - Para quitar el adaptador de anillo, empuje los botones de desbloqueo de dicho adaptador (43)-1 y levántelo (43)-2.
- ! Quite el portabebés y el capazo antes de plegar el producto.

## Pliegue el cochecito con los adaptadores de tubo

Antes de plegar el cochecito con los adaptadores de poste, ajuste el manillar a la posición más baja. Es recomendable que los bloqueos giratorios delanteros estén activados.

- 1 - Tire de la cincha de plegado de los adaptadores de tubo para plegar el cochecito. (44)

! El cochecito con los adaptadores de tubo puede sostenerse mediante el manillar y las ruedas delanteras.

## Capota impermeable TRIV

Verifique que la capota esté completamente abierta antes de colocar la cubierta impermeable.

- 1 - Para montar la capota impermeable, colóquela sobre las sillita. (45)

! Asegúrese SIEMPRE de que haya una ventilación adecuada cuando coloque la capota impermeable en el producto.

Asegúrese SIEMPRE de que la capota impermeable está limpia y seca antes de plegarla.

NO pliegue la sillita cuando la capota impermeable esté acoplada.

NO coloque al niño en la sillita cuando haga calor con la cubierta impermeable acoplada.

## Desmontaje y montaje del acolchado

Para desmontar el acolchado del asiento, siga los pasos (46) - (59) como se muestra, y para volver a ensamblar dicho acolchado, siga los pasos anteriores en orden inverso.

## Limpieza y mantenimiento

Limpie la estructura, las piezas de plástico y el tejido con un paño húmedo, pero no utilice productos abrasivos ni lejía. No utilice lubricantes con silicona ya que atraerán la suciedad. No guarde su cochecito en lugares húmedos.

Limpie las ruedas del cochecito periódicamente con agua y elimine la suciedad.

Para garantizar un uso duradero, limpie el cochecito con un paño suave y absorbente después de usarlo en un día lluvioso.

Consulte la etiqueta de cuidados cosida al acolchado para conocer las instrucciones de lavado y secado.

Es normal que la tela se decolore debido a la luz del sol, y se desgaste y se rompa después de un largo periodo de uso, incluso si se utiliza de una forma normal.

Por razones de seguridad, utilice únicamente piezas originales de Nuna.

Compruebe periódicamente que todo funciona correctamente. Si falta alguna pieza o si alguna de ellas está rota o desgastada, deje de utilizar este producto.

# IMPORTANTE! LEIA ATENTAMENTE E GUARDE PARA FUTURA REFERÊNCIA

## Informações sobre o produto

Número de modelo: \_\_\_\_\_

Data de fabrico: \_\_\_\_\_

### Garantia

Concebemos propositadamente os nossos produtos de alta qualidade para que possam acompanhar o crescimento do seu filho e da sua família. Porque confiamos nos nossos produtos, os nossos equipamentos estão cobertos por uma garantia personalizada por produto, a partir do dia da respetiva compra. Quando nos contactar, tenha disponíveis o comprovativo de compra, o número do modelo e a data de fabrico.

Para obter informações sobre a garantia, visite:  
[www.nunababy.com](http://www.nunababy.com)  
Clique no link "Garantia" na página inicial.

### Contactos

Para peças de substituição, assistência técnica ou outras questões sobre a garantia, contacte o nosso departamento de apoio ao cliente.

[info@nunababy.com](mailto:info@nunababy.com)  
[www.nunababy.com](http://www.nunababy.com)

### Requisitos de utilização

Esta cadeira é adequada para crianças que cumpram os seguintes requisitos:

Até 22 kg ou 4 anos, o que ocorrer primeiro

Sempre que utilizar a estrutura do carrinho com a alcofa ou o transportadores Nuna, consulte os requisitos de utilização nos respetivos manuais de instruções.

## ⚠ AVISOS

O incumprimento dos avisos e instruções pode resultar em lesões graves ou morte.

Utilize o cinto de segurança sempre que o seu filho estiver no assento.

Verifique se alcofa, o assento reversível ou o assento auto estão correctamente encaixados antes de usar o produto.

**NÃO** deixe que o seu filho brinque com este produto.

Verifique se todos os pontos de encaixe estão bem fixos antes de usar o produto.

Nunca deixe a criança abandonada.

**NÃO** é conveniente utilizar este produto aquando da realização de patinagem ou corrida.

Para evitar ferimento assegure-se que o seu filho está afastado, do produto, enquanto o abre e fecha.

**NÃO** utilize acessórios que não sejam aprovados pelo fabricante. Utilize apenas peças fornecidas e recomendadas pelo fabricante/distribuidor.

A montagem deverá ser efetuada por adultos.

Acione **SEMPRE** o travão de estacionamento quando parar.

Os danos causados pela utilização de acessórios não fornecidos pela Nuna não estão cobertos pela garantia.

Qualquer carga colocada sobre a pega e/ou na traseira do apoio das costas e/ou nas laterais do veículo podem afetar a estabilidade do mesmo.

Assegure-se de que o carrinho de bebé está completamente erguido e bloqueado antes de permitir que a criança se aproxime do mesmo.

**NÃO** utilize o carrinho de bebé para transportar outras crianças, mercadorias ou acessórios, exceto nas situações permitidas neste manual. Se o fizer, o carrinho de bebé pode ficar instável.

**NÃO** deixe o carrinho de bebé exposto nas proximidades de uma fonte de calor intenso, isto é, um radiador ou chamas vivas.

**NÃO** coloque nenhum artigo sobre a cobertura.

**NÃO** armazene o carrinho de bebé num local húmido. Permita sempre que o tecido seque naturalmente afastado de fontes de calor direto.

**NÃO** utilize o cesto de armazenamento como transportador.

**NÃO** utilize o carrinho de bebé se alguma peça estiver danificada ou em falta.

Para as cadeiras utilizadas em conjunto com a estrutura do carrinho de bebé, o carrinho não substitui um berço ou cama. Se a criança precisar de dormir, coloque-a na alcofa, berço ou cama apropriados.

Mantenha as peças pequenas fora do alcance das crianças, pois representam um risco de asfixia.

Seja cuidadoso ao atravessar pisos irregulares e subir passeios. Impactos repetidos podem causar danos no carrinho de bebé.

**NUNCA** deixe a criança colocar-se de pé sobre o carrinho de bebé.

**NUNCA** transporte mais do que uma criança neste carrinho de bebé.

**NUNCA** utilize o carrinho de bebé em escadas rolantes ou convencionais. Pode perder subitamente o controlo do carrinho de bebé ou a criança pode cair.

As alças devem estar sempre corretamente fixadas e ajustadas. As alças não substituem a supervisão adequada de um adulto.

O travão de estacionamento deve ser acionado ao colocar e remover a criança.

A sobrecarga, fecho incorreto e utilização de acessórios como cadeiras para criança, ganchos para sacos, capas impermeáveis, plataformas, etc., que não sejam aprovados pela Nuna podem danificar ou tornar este carrinho de bebé inseguro.

Os pneus de borracha podem deixar marcas pretas em superfícies lisas como parquet, pavimento laminado e em linóleo.

**PERIGO DE ESTRANGULAMENTO NÃO** coloque artigos com fios à volta do pescoço da criança, pendure fios neste produto nem ate fios a brinquedos.

Para evitar o risco de asfixia, remova todos os revestimentos de plástico antes de utilizar este artigo e destrua-os ou mantenha-os fora do alcance de bebés e crianças!

Para evitar condições perigosas e instáveis, não coloque mais de 4,5 kg no cesto de armazenamento e mais de 0,45 kg no bolso de armazenamento.

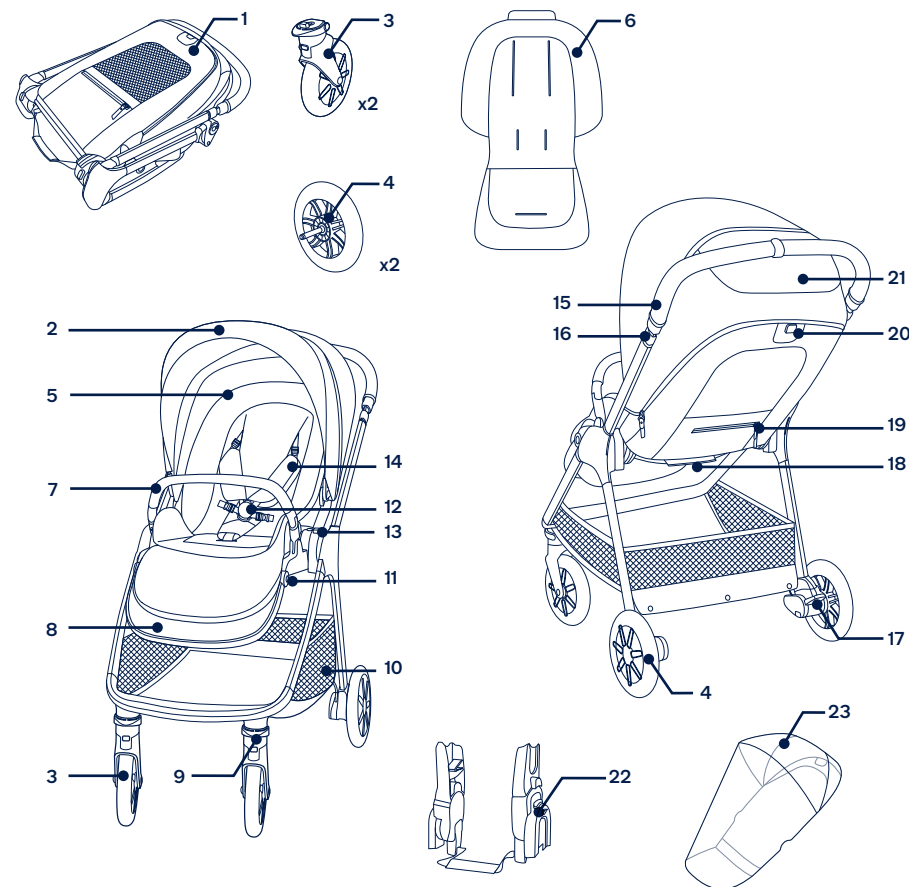
UTILIZE a posição mais reclinada para bebés recém-nascidos.

O carrinho de bebé deve ser utilizado por crianças até 22 kg. Se a criança for mais pesada, o carrinho de bebé pode danificar-se.

## Lista de componentes

Certifique-se de que todas as peças estão disponíveis antes da montagem. Se alguma peça estiver em falta, contacte o revendedor local. Não são necessárias ferramentas para a montagem.

- |    |                                   |    |   |
|----|-----------------------------------|----|---|
| 1  | Estrutura do carrinho de bebé     | 13 | Botão de desbloqueio da cadeira                               |
| 2  | Cobertura                         | 14 | Almofada das alças  |
| 3  | Roda dianteira (x2)               | 15 | Pega  |
| 4  | Roda traseira (x2)                | 16 | Botão de ajuste da pega                                       |
| 5  | Capa de tecido acolchoado         | 17 | Alavanca do travão  |
| 6  | Redutor                           | 18 | Mecanismo de bloqueio   |
| 7  | Barra de proteção frontal         | 19 | Bolso de armazenamento (carga máxima = 0,45 kg)               |
| 8  | Apoio da perna                    | 20 | Botão de ajuste da reclinção/botão de desbloqueio de dobragem |
| 9  | Bloqueio giratório                | 21 | Janela da cobertura   |
| 10 | Cesto de armazenamento            | 22 | Adaptadores   |
| 11 | Botão de ajuste do apoio da perna | 23 | Capa impermeável  |





# Montagem do produto

## Abrir o carrinho de bebê

- 1 - Retire a estrutura do carrinho de bebê. (1)
- 2 - Rode a pega para cima para abrir a estrutura do carrinho de bebê. (2)
- 3 - Puxe a cadeira para a abrir. (3)  
O som de um clique indica que a cadeira está aberta.  
Verifique se o carrinho de bebê está completamente aberto e bloqueado antes de continuar.

## Trocar a cadeira

Troque a cadeira, se necessário.

- 1 - Pressione o botão de desbloqueio da cadeira (4)-1 e levante-a (4)-2.
- 2 - Vire a cadeira e encaixe-a na estrutura. (5)  
O som de um clique indica que a cadeira está completamente encaixada.

## Rodas dianteiras

- 1 - Introduza a roda dianteira na perna dianteira. (6)  
O som de um clique indica que a roda dianteira está totalmente montada.  
Verifique se a roda está devidamente encaixada puxando-a para fora. Repita no lado oposto.
- 2 - Para remover a roda dianteira, pressione o botão de desbloqueio (7)-1 e desencaixe a roda dianteira da perna dianteira (7)-2.

## Rodas traseiras

- 1 - Introduza a roda traseira na perna traseira. (8)  
O som de um clique indica que a roda traseira está totalmente montada.  
Verifique se a roda está devidamente encaixada puxando-a para fora. Repita no lado oposto.
- 2 - Para remover a roda traseira, pressione o botão de desbloqueio (9)-1 e desencaixe a roda traseira da perna traseira (9)-2.

## Barra de proteção frontal

- ! Prenda sempre a criança com as alças. A barra de proteção frontal não é um dispositivo de retenção.
- 1 - Alinhe as extremidades da barra de proteção frontal com os suportes da barra de proteção frontal e introduza até ouvir um clique e ficar no lugar. (10)  
O som de um clique indica que a barra de proteção frontal está totalmente montada.

- 2 - Para remover a barra de proteção frontal, pressione os botões de desbloqueio da barra de proteção frontal (11)-1 e retire a barra de proteção frontal (11)-2.

### Verificar a montagem

- A estrutura do carrinho de bebê está aberta e bloqueada
- Cadeira do carrinho de bebê devidamente encaixada
- As rodas traseiras e dianteiras estão devidamente encaixadas
- A barra de proteção frontal está devidamente encaixada

## Utilização do produto

### Prender a criança

- 1 - Pressione o botão superior na fivela (12)-1 para soltar a fivela e remova os ganchos magnéticos (12)-2. Coloque a criança no carrinho.
- 2 - Insira os ganchos magnéticos na fivela. (13)
- 3 - Ajuste as alças confortavelmente ao corpo da criança puxando as correias de ajuste para apertar (14)-1. Em seguida, retire as correias de ajuste da cintura (14)-2.

### Posição das alças

- 1 - As fivelas superiores das alças podem mover-se para cima e para baixo para um maior ajuste. (15)  
! Para evitar lesões graves como consequência de quedas ou deslizamentos, prenda sempre a criança com as alças.  
Certifique-se de que as alças estão devidamente ajustadas e a criança segura. O espaço entre a criança e as alças deve ter a espessura aproximada de um dedo.  
NÃO cruze as correias dos ombros. Se fizer, estará a pressionar o pescoço da criança.

### Cobertura

- 1 - Para abrir a cobertura, puxe-a para a frente da cadeira e, empurre-a para trás para dobrar. (16)
- 2 - Abra o fecho da cobertura para ter mais sombra. (17)
- 3 - Para maior ventilação, destape a janela da cobertura. (18)

### Reclinar

- O apoio das costas apresenta 4 posições de reclinção.
- 1 - Para subir ou descer o apoio das costas, pressione o botão de ajuste da reclinção (19)-1 e puxe o apoio das costas para cima ou para baixo (19)-2.

- ! NÃO pressione o botão (19)-3 no meio da pega do botão de ajuste da reclinção ao ajustar o ângulo de reclinção.  
Certifique-se de que a reclinção está corretamente ajustada.

### Apoio da perna

O apoio da perna apresenta 2 posições de utilização.

- 1 - Levante o apoio da perna para subi-lo.
- 2 - Para baixar o apoio da perna, pressione o botão de ajuste (20)-1 e pressione para baixo (20)-2.

### Pega

A pega possui 5 posições.

- 1 - Para ajustar a altura da pega, pressione o botão de ajuste (21)-1 e empurre a pega para cima ou para baixo (21)-2.

### Travão

- 1 - Para bloquear as rodas traseiras, pise a alavanca do travão. (22)
- 2 - Para desbloquear as rodas traseiras, levante a alavanca do travão. (23)  
! Acione o travão sempre que parar o carrinho do bebê. Empurre levemente o carrinho de bebê para garantir que o travão está acionado.

### Bloqueios giratórios dianteiros

Recomenda-se a utilização dos bloqueios giratórios dianteiros em superfícies irregulares.

- 1 - Puxe o bloqueio giratório dianteiro para bloquear a roda dianteira. (24)
- 2 - Pressione o bloqueio giratório para baixo para desbloquear. (25)

### Dobrar

O carrinho de bebê pode ser dobrado com a cadeira virada para a frente ou virada para trás ou sem a cadeira. Antes de dobrar o carrinho de bebê, ajuste a pega para a posição inferior e certifique-se de que os bloqueios giratórios dianteiros estão desbloqueados.

- 1 - Dobre a cobertura. (26)
- 2 - Pressione o botão de desbloqueio de dobragem (27)-1 no meio do botão de ajuste da reclinção e, em seguida, aperte o botão de ajuste da reclinção (27)-2.
- 3 - Dobre a cadeira. (28)
- 4 - Puxe o mecanismo de bloqueio da cadeira para dobrar o carrinho de bebê. (29)
- 5 - O carrinho de bebê com a cadeira virada para a frente pode ficar apoiado nas rodas e com a cadeira virada para trás na pega e nas rodas traseiras. (30)
- 6 - Pressione o botões de dobragem dos suportes da cadeira. (31)
- 7 - Dobre o carrinho de bebê. (32)

- ! O carrinho sem assento pode ficar de pé apoiado na pega e nas rodas dianteiras.

### Redutor

- 1 - Para montar o redutor, coloque o redutor sobre a cadeira e passe as alças e os cintos subabdominal e das virilhas através das respetivas ranhuras. (33)

## Acessórios

- ! Alguns modelos NÃO incluem todos os acessórios estão incluídos.

## Adaptadores

Para montagem e utilização do transportador Nuna e da alcofa TRIV, consulte o manual de instruções do transportador e da alcofa.

- 1 - Para encaixar os adaptadores, coloque-os nos suportes da cadeira. O som de um clique indica que os adaptadores estão encaixados. (34)(35)
- 2 - Para encaixar o transportador, coloque o transportador nos adaptadores. O "clique" indica que o transportador está encaixado. (36)
- 3 - Para encaixar a alcofa, coloque a alcofa nos adaptadores. O "clique" indica que a alcofa está encaixada. (37)
- 4 - O ângulo do transportador pode ser regulado com os nossos adaptadores ajustáveis. (38)
- 5 - Quando utilizado no modo virado para a retaguarda, as letras nos adaptadores são iguais às da estrutura de plástico. (39)
- 6 - Quando utilizado no modo virado para a frente, as letras nos adaptadores estão opostas às da estrutura de plástico. (40)
- 7 - Para remover o transportador, pressione os botões de desbloqueio do mesmo (41)-1 e levante-o (41)-2.
- 8 - Para remover a alcofa, pressione os botões de desbloqueio na lateral da alcofa (42)-1 e levante-a (42)-2.
- 9 - Para remover os adaptadores, pressione os botões de desbloqueio dos adaptadores (43)-1 e levante-os (43)-2.  
! Remova o transportador e a alcofa antes de dobrar.

## Dobrar o carrinho de bebê com adaptadores

Antes de dobrar o carrinho com os adaptadores, ajuste a pega para a posição inferior e certifique-se de que os bloqueios giratórios dianteiros estão bloqueados.

- 1 - Puxe o mecanismo de bloqueio dos adaptadores para dobrar o carrinho de bebê. (44)  
! O carrinho com adaptadores para cadeira pode ficar de pé apoiado na pega e nas rodas dianteiras.

## Capa impermeável para a TRIV

Certifique-se de que a cobertura está completamente aberta antes de encaixar a capa impermeável.

1 - Para instalar a capa impermeável, coloque-a sobre o carrinho de bebê. (45)

! Verifique **SEMPRE** a ventilação quando a capa impermeável estiver instalada no produto.

Verifique **SEMPRE** se a capa impermeável foi limpa e seca antes de a dobrar.

**NÃO** dobre o carrinho de bebê com a capa impermeável encaixada.

**NÃO** coloque a criança no carrinho de bebê com a capa impermeável em tempo quente.

## Retirar e montar a capa de tecido

Para remover as capas de tecido acolchoado, siga os passos (46) - (59), conforme ilustrado. Para instalar novamente as capas de tecido acolchoado, siga os passos acima em ordem inversa.

## Limpeza e manutenção

Limpe a estrutura, peças de plástico e o tecido com um pano humedecido sem utilizar produtos abrasivos ou lixívia. Não utilize lubrificantes de silicone, pois os mesmos atraem sujidade e gordura. **NÃO** armazene o carrinho de bebê num local húmido.

Limpe as rodas do carrinho de bebê regularmente com água e remova qualquer sujidade.

Para garantir uma utilização duradoura, limpe o carrinho de bebê com um pano macio e absorvente após a utilização em tempo chuvoso.

Consulte as instruções de lavagem e secagem na etiqueta afixada na capa de tecido.

É normal que o tecido exiba cores desvanecidas devido à luz solar e que apresente desgaste após um longo período de utilização, mesmo quando utilizado de forma normal.

Por motivos de segurança, utilize apenas peças originais da Nuna.

Verifique regularmente se tudo funciona corretamente. Se alguma peça estiver rasgada, partida ou em falta, interrompa a utilização deste produto.

# WAŻNE! PRZED UŻYCIEM PROSIMY ZAPOZNAĆ SIĘ Z ZAWIERAJĄCĄ WAŻNE INFORMACJE INSTRUKCJĄ I ZACHOWAĆ JĄ NA PRZYSZŁY UŻYTEK. CZYTAJ UWAŻNIE.

## Informacje o produkcie

Numer modelu: \_\_\_\_\_

Data produkcji: \_\_\_\_\_

## Gwarancja

Nasze wysokiej jakości produkty projektowane są celowo tak, że mogą rosnąć wraz z dzieckiem i rodziną. Ponieważ troszczymy się o nasze produkty, są one objęte gwarancją produktową, rozpoczynającą się w dniu zakupu. W razie kontaktu z nami prosimy o przygotowanie dowodu zakupu, numeru modelu oraz daty produkcji.

**W celu uzyskania informacji o gwarancji, należy odwiedzić stronę internetową:**

[www.nunababy.com](http://www.nunababy.com)

Kliknij łącze „Gwarancja” na stronie domowej.

## Kontakt

W celu uzyskania informacji na temat części zamiennych, serwisu lub jakichkolwiek dodatkowych pytań należy skontaktować się z naszym działem obsługi klienta

[info@nunababy.com](mailto:info@nunababy.com)  
[www.nunababy.com](http://www.nunababy.com)

**W Polsce:**  
[serwis@akpol.com.pl](mailto:serwis@akpol.com.pl)  
[www.nunababy.com](http://www.nunababy.com)

## Zakres zastosowania

Przeznaczenie dla dziecka

Ten wózek przeznaczony jest dla dzieci, które spełniają poniższe wymagania:

Od urodzenia do 22 kg lub do wieku 4 lat.

Kiedy używasz wózka TRIV z gondolą lub fotelikiem z serii Pipa zapoznaj się z wymiarami dziecka, dla którego przeznaczony jest dany produkt, zawartymi w instrukcjach obsługi tych produktów.

# ⚠️ OSTRZEŻENIE

Niedostosowanie się do poniższych ostrzeżeń oraz instrukcji może w rezultacie narazić dziecko na poważny uszczerbek na zdrowiu lub nawet śmierć.

Zawsze używaj systemu zapieć.

Sprawdź, czy urządzenia mocujące gondolę lub siedzisko lub fotelik samochodowy są prawidłowo załączone przed użyciem.

**NIE** pozwalaj dziecku bawić się tym wyrobem.

Upewnij się przed użyciem, czy wszystkie urządzenia blokujące są włączone.

**NIGDY** nie zostawiaj dziecka bez opieki.

Niniejszy wyrób nie jest odpowiedni do biegania ani jazdy na rolkach.

Aby uniknąć ryzyka przytraśnięcia palców, zachowaj ostrożność podczas składania i rozkładania tego wózka.

Aksesoria, które nie zostały zatwierdzone przez firmę Nuna nie powinny być używane. Używaj tylko części zamiennych rekomendowanych przez firmę Nuna.

Montaż powinien być wykonany przez osobę dorosłą.

**Zawsze** używaj hamulca, kiedy zatrzymujesz wózek.

**NIE** podlegają reklamacji uszkodzenia produktu spowodowane przez użycie akcesoriów innych niż marki Nuna.

Każdy dodatkowy ciężar zawieszony na rączce wpływa na stabilność wózka.

Upewnij się, że wózek jest całkowicie rozłożony lub zatrzaśnięty, zanim pozwolisz dziecku przebywać w pobliżu wózka.

Pod żadnym pozorem nie przewoź dodatkowych dzieci, przedmiotów czy akcesoriów w lub na wózku (chyba, że są one dozwolone w tej instrukcji obsługi). Mogą one spowodować, niestabilność wózka.

**NIE** zostawiaj produktu w bezpośrednim działaniu silnego źródła ciepła jak np. kaloryfer czy ogień.

**NIE** umieszczaj żadnych przedmiotów na budce.

**NIE** przechowuj produktu w wilgotnych miejscach. Pozwól, aby wszystkie materiały wyschły naturalnie z dala od bezpośredniego źródła ciepła.

Pod żadnym pozorem nie używaj koszyka na zakupy jako nosidełka dla dziecka.

Zaprzestań korzystania z produktu, jeśli jakaś część jest uszkodzona lub zepsuta.

Wózek używany wraz z fotelikiem nie stanowi zamiennika dla łóżka. Jeżeli Twoje dziecko potrzebuje snu, powinno zostać przeniesione do innego produktu jak np. do łóżeczka.

Trzymaj małe części z dala od dzieci, aby uniknąć ryzyka zadławienia się nimi.

Ostrożnie wjeżdżaj na krawężniki oraz nierówną i wyboistą nawierzchnię. Narażanie produktu na powtarzające się działanie sił zewnętrznych może doprowadzić do jego uszkodzenia.

Pod żadnym pozorem nie pozwól dziecku stawać w wózku.

**NIGDY** nie przewoź więcej niż jedno dziecko w wózku.

**NIGDY** nie używaj wózka na schodach lub schodach ruchomych. Możesz stracić kontrolę nad wózkiem lub Twoje dziecko może wpaść z wózka.

Uprząż musi być zawsze właściwie dopasowana. Uprząż nigdy jednak nie zastąpi odpowiedniego nadzoru ze strony rodziców.

Hamulec musi być zawsze włączony podczas wkładania i wyciągania dziecka z wózka.

Przeładowania, nieprawidłowe składanie oraz używanie akcesoriów, takich jak fotelik dziecięcy, haki na torbę, ochrona przeciwdeszczowa, itp... inne niż te zatwierdzone przez firmę Nuna mogą spowodować zagrożenie i sprawić, że wózek nie będzie bezpieczny.

Opony mogą zostawiać czarne ślady na powierzchni w szczególności na parkiecie, laminacie czy linoleum.

Aby uniknąć ryzyka uduszenia się dziecka, nie umieszczaj przedmiotów posiadających sznurki wokół szyi dziecka, nie zawieszaj sznurków wokół wózka oraz nie doczepiaj ich do zabawek.

Aby uniknąć ryzyka uduszenia się dziecka, usuń wszystkie folie i plastikowe elementy ochronne produktu i zniszcz je lub schowaj tak, aby dziecko nie miało do nich dostępu.

Aby uniknąć sytuacji, w której wózek będzie niestabilny, nie wkładaj do koszyka przedmiotów o wadze większej niż 4,5 kg, a do kieszonki większej niż 0,45kg.

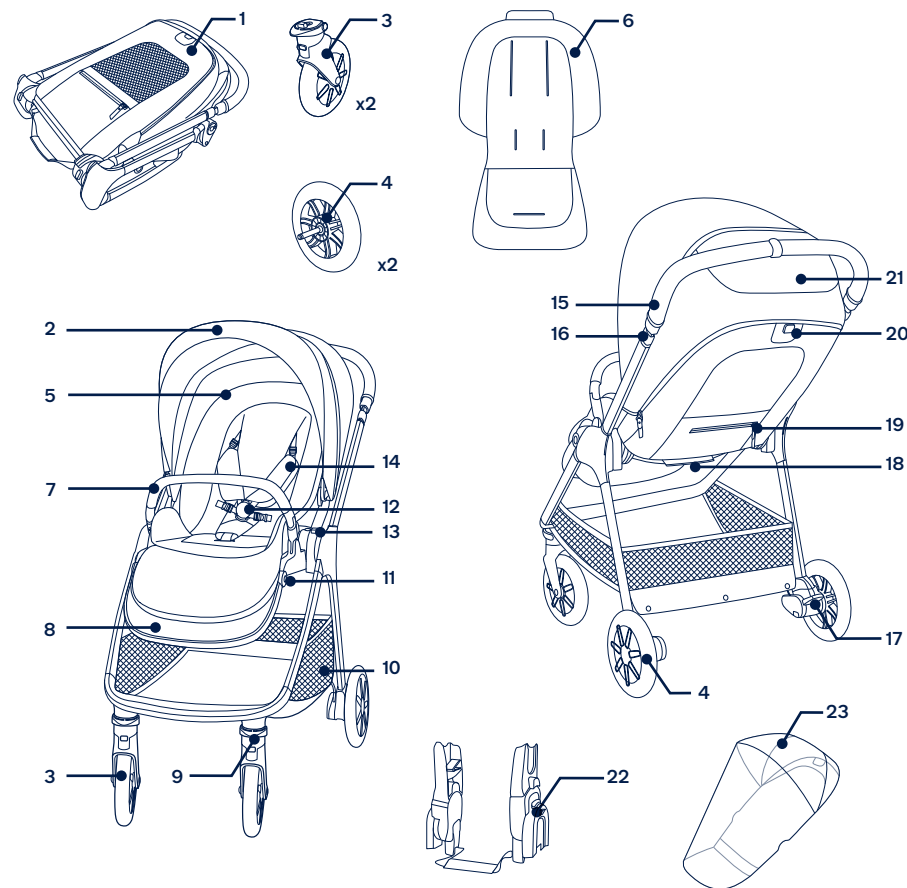
W przypadku nowo narodzonych dzieci, używać wózka w najbardziej leżącej pozycji.

Używaj wózka z dzieckiem ważącym nie więcej niż 22kg. Wózek uszkodzi się, jeżeli zostanie przewożone dziecko o wyższej wadze.

## Lista części

Upewnij się, że wszystkie części znajdują się w zestawie zanim rozpoczniesz montaż. Jeżeli brakuje jakiegokolwiek części, skontaktuj się ze swoim sprzedawcą. Montaż nie wymaga użycia żadnych dodatkowych narzędzi.

- |    |                             |    |   |
|----|-----------------------------|----|---|
| 1  | Stelaż wózka                | 13 | Przycisk składania stelaża  |
| 2  | Budka                       | 14 | Nakładki na pasy  |
| 3  | Koło przednie (x2)          | 15 | Rączka  |
| 4  | Koło tylne (x2)             | 16 | Przycisk regulacji rączki   |
| 5  | Siedzisko                   | 17 | Dźwignia hamulca  |
| 6  | Wkładka                     | 18 | Taśma zwalniająca   |
| 7  | Pałak                       | 19 | Kieszonka (maksymalny ładunek = 0,45 kg)                              |
| 8  | Podnóżek                    | 20 | Uchwyt do regulacji odchylenia oparcia oparcia/<br>Przycisk składania |
| 9  | Blokada obrotu              | 21 | Okienko   |
| 10 | Koszyk                      | 22 | Adaptery  |
| 11 | Przycisk regulacji podnóżka | 23 | Folia przeciwdeszczowa  |
| 12 | Klamra                      |    |   |



## Składanie produktu

### Rozkładanie wózka

- 1- Przygotuj stelaż wózka. (1)
- 2- Przekręć rączkę do góry, aby rozłożyć wózek. (2)
- 3- Pociągnij za siedzisko, aby je rozłożyć. (3)

Dźwięk kliknięcia oznacza, że wózek jest całkowicie rozłożony.

Upewnij się, że wózek jest w całości rozłożony, zanim będziesz kontynuował.

### Zmiana kierunku ustawienia siedziska

Siedzisko może być montowane tyłem lub przodem do kierunku jazdy.

- 1- Naciśnij przycisk zwalniający siedzisko (4)-1 i wymontuj je. (4)-2
- 2- Obróć siedzisko i osadź na mocowaniach stelaża wózka. (5)

Dźwięk "kliknięcia" oznacza, że siedzisko jest zamocowane.

### Montaż przednich kół

- 1- Zamocuj przednie koła do przednich nóg. (6)

Dźwięk "kliknięcia" oznacza, że koła są poprawnie założone.

Sprawdź, czy koła zostały poprawnie zamocowane poprzez pociągnięcie ich w dół.

- 2- Aby zdemontować przednie koło, naciskaj jednocześnie przycisk zwalniający (7)-1 i zdejmij przednie koło z przedniej nogi (7)-2.

### Montaż tylnych kół

- 1- Zamocuj tylne koła do tylnych nóg. (8)

Dźwięk "kliknięcia" oznacza, że koła są poprawnie założone. (9)

Sprawdź, czy koła zostały poprawnie zamocowane poprzez pociągnięcie ich w dół.

- 2- Aby zdemontować tylne koło, naciskaj jednocześnie przycisk zwalniający (9)-1 i zdejmij tylne koło z tylnej nogi (9)-2.

### Montaż pałąka

! Zawsze przypinaj dziecko uprzężą. Pałąk nie służy do przytrzymywania dziecka na wózku.

- 1- Dopasuj końcówki pałąka do końcówek mocowania w stelażu, a następnie wciśnij, żeby zablokować. (10)

Dźwięk kliknięcia oznacza, że montaż został zakończony.

- 2- Aby zdemontować pałąk wciśnij przycisk po obu stronach (11)-1, a następnie pociągnij pałąk. (11)-2

### Sprawdź czy

- Stelaż wózka jest zablokowany po rozłożeniu.
- Siedzisko jest pewnie zamocowane na stelażu wózka.
- Przednie i tylne koła są bezpiecznie zamontowane.
- Pałąk jest bezpiecznie zamontowany.

## Użycie produktu

### Zabezpiecz swoje dziecko

- 1- Naciśnij górny przycisk na sprzączce (12)-1 w celu zwolnienia zaczepu sprzączki i odłącz magnetyczne zatrzaski (12)-2. Umieść dziecko na wózku.
- 2- Włóż magnetyczne zatrzaski do sprzączki. (13)
- 3- Dopasuj naciągnięcie pasów (uprzęży) do Twojego dziecka poprzez pociągnięcie do góry klamerek regulujących (14)-1. Następnie pociągnij paski regulujące na biodrach (14)-2.

### Regulacja pozycji pasów naramiennych

- 1- Klamry w górnych ramiennych pasach mogą być przesuwane w dół i w górę, aby wyregulować ich długość. (15)

! Aby uniknąć poważnych obrażeń spowodowanych wypadnięciem dziecka lub wyślizgnięciem się dziecka z wózka, upewnij się, że zawsze ma ono zapięte pasy.

Upewnij się, że Twoje dziecko jest dobrze zabezpieczone. Przestrzeń pomiędzy ciałem dziecka, a górnym pasem nie powinna przekraczać grubości jednego palca.

NIE krzyżuj pasów ramiennych, ponieważ skutkować to będzie naciskiem na szyję dziecka.

### Budka

- 1- Aby rozłożyć budkę, należy pociągnąć do przodu, a w odwrotnym kierunku – aby złożyć. (16)
- 2- Odepnij zamek w budce dla lepszej ochrony przed światłem. (17)
- 3- Otwórz okienko w budce dla lepszej wentylacji. (18)

### Regulacja odchylenia oparcia

Można regulować oparcie w 4 pozycjach.

- 1- Aby podnieść lub opuścić oparcie, naciśnij przycisk regulacji oparcia (19)-1 i podnieś oparcie do góry lub opuść w dół. (19)-2.

! NIE należy naciskać przycisku (19)-3 na środku przycisku regulacji nachylenia podczas regulacji kąta nachylenia. Upewnij się, że nachylenie jest ustawione prawidłowo do używania.

### Regulacja podnóżka

Podnóżek może być ustawiony w 2 pozycjach.

- 1- Aby podnieść pociągnij podnóżek do góry.
- 2- Aby obniżyć naciśnij przycisk regulacji podnóżka (20)-1, a następnie go obniż (20)-2.

### Rączka

Rączka posiada 5 pozycji regulacji wysokości.

- 1- Aby dopasować wysokość rączki, naciśnij przycisk regulacji rączki (21)-1, następnie pociągnij za rączkę do góry lub w dół (21)-2.

### Hamulec

- 1- Aby zablokować tylne koła, naciśnij na dźwignię hamulca. (22)
- 2- Aby odblokować tylne koła, podnieś dźwignię hamulca do góry. (23)

! Zawsze używaj hamulca podczas postoju. Pchnij delikatnie wózek dla sprawdzenia, że hamulec został załączony.

### Blokada przednich kół

Zaleca się używać blokadę przednich kół obrotowych na nierównych powierzchniach.

- 1- Pociągnij blokadę obrotową do góry, aby zablokować przednie koła. (24)
- 2- Aby odblokować, pociągnij blokadę w dół. (25)

### Składanie wózka

Wózek może zostać złożony z siedziskiem skierowanym przodem, tyłem do kierunku jazdy lub bez niego. Przed złożeniem wózka należy ustawić rączkę w najniższym położeniu i upewnić się, czy blokady obrotu kół przednich są odblokowane.

- 1- Złóż budkę. (26)
- 2- Wciśnij przycisk składania siedziska znajdujący się w środkowej części uchwytu (27)-1 i pociągnij uchwyt w górę (27)-2.
- 3- Złóż siedzisko. (28)
- 4- Pociągnij taśmę zwalniającą, aby złożyć wózek. (29)
- 5- Stelaż złożony wraz z siedziskiem skierowanym przodem do kierunku jazdy może stać na kołach, a z siedziskiem skierowanym tyłem do kierunku jazdy może stać oparty na rączce i tylnych kołach. (30)

- 6- Naciśnij przyciski składania stelaża. (31)

- 7- Złóż wózek. (32)

! Wózek dziecięcy bez siedzenia, może stać na uchwycie i przednich kołach.

### Wkładka

- 1- Aby zamontować wkładkę, umieść ją na siedzisku, przeciągnij pasy naramienne, biodrowe oraz na krocze przez otwory. (33)

## Akcesoria

! NIE wszystkie akcesoria są dołączone do pewnych modeli.

### Adaptory

Kiedy używasz wózka z fotelikiem z serii Pipa lub gondolą zapoznaj się z instrukcjami obsługi tych produktów.

- 1- Aby zamontować adaptory, umieść je na mocowaniach siedziska. Dźwięk kliknięcia oznacza, że adaptory są zamontowane. (34)(35)

- 2- Aby zamontować fotelik, należy umieścić go na zamontowanych adapterach. Dźwięk kliknięcia oznacza, że fotelik jest zamontowany. (36)

- 3- Aby zamontować gondolę, należy umieścić ją na zamontowanych adapterach. Dźwięk kliknięcia oznacza, że gondola jest zamontowana. (37)

- 4- Kąt nosidełka dla niemowląt i gondoli można regulować z wykorzystaniem naszych adapterów z możliwością regulacji. (38)

- 5- Podczas używania w trybie skierowania do tyłu, litery na adapterach słupków są takie same jak te na plastiku ramy. (39)

- 6- Podczas używania w trybie skierowania do przodu, litery na adapterach słupków są przeciwne do tych na plastiku ramy. (40)

- 7- Aby odzepić fotelik, naciśnij przyciski zwalniające z fotelika (41)-1 i go podnieś (41)-2.

- 8- Aby odzepić gondolę, naciśnij przyciski zwalniające po bokach (42)-1 i ją podnieś (42)-2.

- 9- Aby usunąć adaptory, pociągnij taśmę zwalniającą (43)-1 i unieś adapter do góry (43)-2.

! Zdemontuj fotelik lub gondolę przed złożeniem wózka.

### Składanie wózka z adapterami

Przed złożeniem wózka dziecięcego z adapterami do stelaża, należy ustawić uchwyt na najniższą pozycję i zablokować przednie obrotowe koła.

- 1- Pociągnij uprzęż zwalniającą, aby złożyć wózek. (44)

! Wózek dziecięcy z adapterami słupków, może stać na uchwycie i przednich kołach.

### Składanie wózka z adapterem ring

Przed złożeniem wózka z adapterem ring należy ustawić rączkę w najniższym położeniu i upewnić się, czy blokady obrotu kół przednich są zwolnione.

- 1- Pociągnij uprzęż zwalniającą adaptera ring, aby złożyć wózek. (45)

! Złożony wózek wraz z adapterem ring może stać oparty na rączce i tylnych kołach.

## Folia przeciwdeszczowa TRIV

Sprawdź czy budka jest całkowicie rozłożona zanim założysz folię.

1 - Aby zamontować folię przeciwdeszczową, umieść ją na siedzisku wózka. (51)

! Zawsze upewnij się, że siedzisko ma odpowiednią wentylację, kiedy zamontowana jest folia przeciwdeszczowa.

Zawsze upewnij się, że folia jest czysta i sucha zanim ją złożysz.

NIE składaj wózka z nałożoną folią przeciwdeszczową.

NIE wkładaj swojego dziecka do wózka z zamontowaną folią przeciwdeszczową w upalne dni.

## Demontaż i montaż tapicerki siedziska

Demontaż tapicerki siedziska pokazano na rys. (46) - (59) Aby ponownie zamontować tapicerkę, należy wykonać czynności w odwrotnej kolejności. Czyszczenie i konserwacja

Czyść ramę i elementy plastikowe przy użyciu suchej ściereczki. Nie używaj druciaków ani wybielacza. Nie używaj lubrykantów ponieważ będą one gromadziły brud. Nie przechowuj wózka w wilgotnym miejscu.

## Regularnie czyść koła przy pomocy wody.

Czyść ramę i elementy plastikowe przy użyciu suchej ściereczki. Nie używaj druciaków ani wybielacza. Nie używaj lubrykantów ponieważ będą one gromadziły brud. Nie przechowuj wózka w wilgotnym miejscu.

Regularnie czyść koła przy pomocy wody.

Aby zapewnić długotrwałą żywotność produktu, przetrzyj go suchą ściereką po użyciu podczas deszczowej pogody.

Czyść miękkie elementy zgodnie z instrukcjami podanymi na ich metkach.

Normalnym jest, że materiały mogą wyblaknąć i przecierać się po długotrwałym użytkowaniu produktu.

Ze względów bezpieczeństwa używaj tylko oryginalnych części firmy Nuna.

Regularnie sprawdzaj, czy wózek działa prawidłowo. Jeśli jakaś część jest uszkodzona lub zepsuta, zaprzestań korzystania z produktu.

# DŮLEŽITÉ, POKYNY SI POZORNĚ PŘEČTĚTE A USCHOVEJTE PRO POZDĚJŠÍ POUŽITÍ

## Informace o produktu

Číslo modelu: \_\_\_\_\_

Datum výroby: \_\_\_\_\_

### Záruka

Naše vysoce kvalitní produkty jsou navrženy tak, aby mohly růst s vaším dítětem i s vaší rodinou. Protože si za svým produktem stojíme, vztahuje se na něj záruka dva roky, která začíná platit dnem jeho zakoupení. Než nás budete kontaktovat, připravte si doklad o zakoupení, číslo modelu a datum výroby.

Informace o záruce najdete na webu:

[www.nunababy.com](http://www.nunababy.com)

Klikněte na odkaz „Záruka“ na domovské stránce.

### Kontakt

V případě náhradních dílů, servisu nebo dalších dotazů k záruce kontaktujte prosím naše oddělení zákaznického servisu.

[info@nunababy.com](mailto:info@nunababy.com)

[www.nunababy.com](http://www.nunababy.com)

## Požadavky na používání s dítětem

Tento kočárek je vhodný pro děti, které splňují následující požadavky:

Od narození po 22 kg nebo do 4 let podle toho, která podmínka bude splněna dříve

Při používání rámu kočárku s korbou TRIV nebo autosedačkou Nuna pro novorozence dodržujte požadavky na používání s dítětem, které jsou uvedeny v příslušných návodech.

## ⚠ UPOZORNĚNÍ

Nedodržení těchto varování a pokynů může vést k vážnému poranění nebo smrti.

Vždy používejte zádržný systém.

Před použitím zkontrolujte, zda jsou připevňovací zařízení lůžka nebo sedačky nebo autosedačky správně zaklesnuta.

Tento výrobek není hračka. Nedovolte dítěti, aby si s tímto výrobkem hrálo.

Před použitím si ověřte, že jsou všechny zajišťovací prvky zaklesnuty.

Nikdy nenechávejte dítě bez dozoru.

Tento výrobek není vhodný pro běhání nebo jízdu na bruslích.

Při skládání a rozkládání tohoto výrobku zajistěte, aby dítě nebylo v kočárku ani poblíž a nemohlo dojít k poranění dítěte.

Je zakázáno používat příslušenství, které nebylo schváleno výrobcem. Je dovoleno používat pouze náhradní díly, které byly dodány nebo doporučeny výrobcem/distributorem.

Sestavení smí provést pouze dospělá osoba.

Když zastavíte, **VŽDY** použijte parkovací brzdu.

Na jakékoli poškození způsobené používáním příslušenství, které nebylo dodáno společností Nuna, se nebude vztahovat záruka.

Jakákoli zátěž připevněná na držadlo a/nebo na zadní stranu opěráku a/nebo na boční strany vozidla sníží jeho stabilitu.

Než dovolíte svému dítěti, aby se přiblížilo ke kočárku, zkontrolujte, zda je kočárek zcela sestavený a zajištěný pojistkami.

**NEVOZTE** další děti, zboží, příslušenství v nebo na kočárku vyjma případů, které jsou v tomto návodu povoleny. Mohlo by dojít k omezení stability kočárku.

**NENECHÁVEJTE** tento kočárek v bezprostřední blízkosti silného zdroje tepla, například radiátoru nebo krbu.

**NEUMÍSŤUJTE** žádné předměty na stříšku.

Kočárek **NESKLADUJTE** na vlhkém místě. Textil nechte vždy uschnout přirozeně mimo přímého tepla.

**NEVOZTE** dítě v úložném košíku.

Kočárek **NEPOUŽÍVEJTE**, pokud jsou některé části poškozené nebo chybí.

Používáte-li autosedačky v kombinaci s podvozkem, toto vozidlo nenahrazuje postýlku ani lůžko. Když vaše dítě potřebuje spát, uložte jej do vhodné hluboké korby, postýlky nebo na vhodné lůžko.

Malé předměty, které představují nebezpečí udušení, uchovávejte mimo dosah dětí.

Při zdolávání obrubníků a hrubého povrchu postupujte opatrně. Opakovaný náraz může kočárek poškodit.

**V ŽÁDNÉM PŘÍPADĚ** nedovolte dětem stát na kočárku.

**V ŽÁDNÉM PŘÍPADĚ** nepřevážejte v tomto kočárku více než jedno dítě.

**V ŽÁDNÉM PŘÍPADĚ** nepoužívejte tento kočárek na schodech nebo eskalátorech. Mohlo by dojít k náhlé ztrátě kontroly nad kočárkem nebo by vaše dítě mohlo vypadnout.

Postroj musí být vždy správně připevněn a seřízen. Postroj nenahrazuje řádný dohled dospělé osoby.

Při vkládání nebo vyjímání dětí musí být aktivována ruční brzda.

Přetěžování, nesprávné skládání a používání příslušenství, například dětských sedaček, háčků na tašky, pláštěnek, stupátek atd..., které nebyly schváleny společností Nuna, mohou kočárek poškodit nebo omezit jeho bezpečnost.

Gumové pneumatiky mohou zanechávat černé šmouhy na hladkém povrchu, například na parketách, laminátu nebo linoleu.

**NEBEZPEČÍ UŠKRCENÍ** Aby se zabránilo uškrcení, neumísťujte předměty s provázky okolo krku dítěte, nezavěšujte provázky z tohoto výrobku ani nepřivazujte provázky k hračkám.

Aby se zabránilo nebezpečí udušení, před používáním tohoto předmětu odstraňte a zlikvidujte všechny plastové kryty nebo je uchovávejte mimo dosah novorozenců a dětí!

Aby se zabránilo nebezpečné a nestabilní situaci, neumísťujte do úložného košíku více než 4,5 kg a do úložné kapsy více než 0,45 kg.

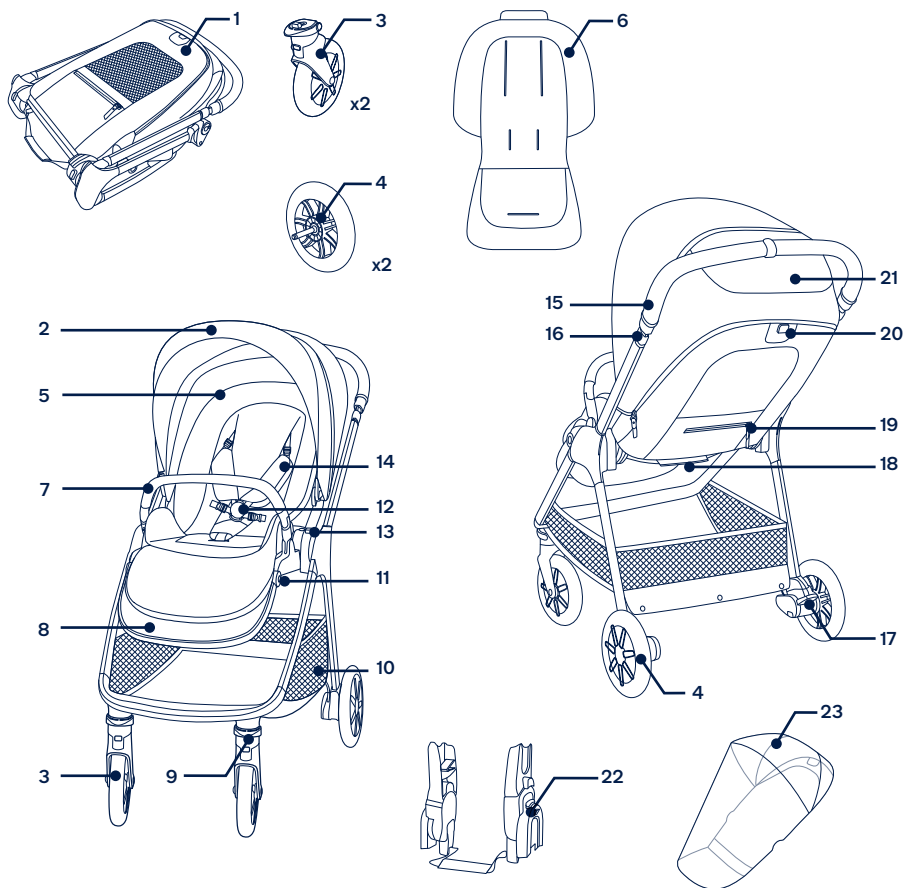
Pro novorozence **POUŽÍVEJTE** co nejvíce sklopenou polohu lůžka.

Tento kočárek používejte pouze s dítětem o hmotnosti do 22 kg. Při převážení nepřipoutaného dítěte dojde k poškození kočárku.

## Seznam dílů

Před instalací se prosím ujistěte, že žádná část sestavy nechybí. V případě, že některá část chybí, kontaktujte prodejce. K sestavení nejsou zapotřebí žádné nástroje.

- |    |                                 |    |  |
|----|---------------------------------|----|--|
| 1  | Rám kočárku                     | 13 | Tlačítko uvolnění sedátka                          |
| 2  | Stříška                         | 14 | Vložky ramenního postroje                          |
| 3  | Přední kolečko (x2)             | 15 | Držadlo  |
| 4  | Zadní kolečko (x2)              | 16 | Tlačítko nastavení držadla                         |
| 5  | Vložka sedačky                  | 17 | Páčka brzdy  |
| 6  | Vložka                          | 18 | Popruh rozložení                                   |
| 7  | Opěrka rukou                    | 19 | Kapsa na uložení (maximální zatížení = 0,45 kg)    |
| 8  | Madlo                           | 20 | Tlačítko nastavení sklonu/tlačítko uvolnění sklonu |
| 9  | Zámek natáčení koleček          | 21 | Okénko ve stříšce                                  |
| 10 | Úložný košík                    | 22 | Základní adaptér                                   |
| 11 | Tlačítko nastavení opěrky nohou | 23 | Pláštěnka  |
| 12 | Přezka                          |    |  |



## Sestavení produktu

### Rozložení kočárku

- 1 - Vyjměte rám kočárku. (1)
- 2 - Pro rozložení rámu kočárku otočte držadlo nahoru. (2)
- 3 - Rozložte sedátko jeho zatlačením. (3)  
Jakmile se ozve „cvaknutí“, znamená to, že sedátko je řádně rozloženo.  
Než budete pokračovat, zkontrolujte, zda je kočárek zcela zajištěný.

### Otočení sedačky

Otočte prosím sedačku, je-li třeba.

- 1 - Stiskněte tlačítko pro uvolnění sedátka (4)-1 a zvedněte sedátko nahoru (4)-2.
- 2 - obraťte sedátko a poté ho připevněte k rámu. (5)  
Jakmile se ozve „cvaknutí“, znamená to, že sedátko je řádně připevněno.

### Přední kolečka

- 1 - Zasuňte přední kolečko do přední nohy. (6)

Jakmile se ozve „cvaknutí“, znamená to, že přední kolečko je správně nainstalováno.

Zatažením ověřte, zda je kolečko řádně nainstalováno. Zopakujte na opačné straně.

- 2 - Chcete-li přední kolečko vyjmout, stiskněte uvolňovací tlačítko (7)-1 a vysuňte přední kolečko z přední nohy (7)-2.

### Zadní kolečka

- 1 - Zasuňte zadní kolečko do zadní nohy. (8)

Jakmile se ozve „cvaknutí“, znamená to, že zadní kolečko je správně nainstalováno.

Zatažením ověřte, zda je kolečko řádně nainstalováno. Zopakujte na opačné straně.

- 2 - Chcete-li zadní kolečko vyjmout, stiskněte uvolňovací tlačítko (9)-1 a vysuňte zadní kolečko ze zadní nohy (9)-2.

### Opěrka rukou

! Vždy zajištěte své dítě postrojem. Opěrka rukou není zádržné zařízení.

- 1 - Zorientujte konce opěrky rukou s držáky opěrky rukou a zasuňte tak, aby zacvakly na místo. (10)  
Jakmile se ozve „cvaknutí“, znamená to, že opěrka rukou je správně nainstalována.
- 2 - Při odnímání opěrky rukou stiskněte uvolňovací tlačítko opěrky rukou (11)-1 a sejměte opěrku rukou (11)-2.

### Kontrola sestavení

- Rám kočárku je rozložen se zajištěnými západkami
- Sedátko kočárku je bezpečně připevněno
- Zadní a přední kolečka jsou řádně připevněná
- Opěrka rukou je bezpečně připevněná

## Používání produktu

### Zajištění dítěte

- 1 - Stisknutím horního tlačítka na přezce (12)-1 uvolněte západku přezky a vyjměte magnetické svorky (12)-2. Umístěte dítě do kočárku.
- 2 - Zasuňte magnetické svorky do přezky. (13)
- 3 - Přizpůsobte postroj dítěti utažením stavěcích popruhů (14)-1. Potom utáhněte popruhy pro nastavení pasu (14)-2.

### Poloha ramenního postroje

- 1 - Další nastavení lze provádět posouváním horních přezek ramenního postroje nahoru a dolů. (15)

! Aby se zabránilo pádu nebo vyklouznutí a vážnému zranění, vždy zajištěte své dítě postrojem.

Zajištěte, aby byl postroj řádně upraven a aby bylo vaše dítě těsně připoutáno. Mezi dítětem a ramenním postrojem musí být prostor přibližně na tloušťku jednoho prstu.

**NEKŘÍŽTE** ramenní pásy. Tím se vytváří tlak na krk dítěte.

### Stříška

- 1 - Chcete-li otevřít stříšku, zatlačte ji směrem k přední části sedačky. Chcete-li stříšku složit, přitáhněte ji dozadu. (16)
- 2 - Rozepnutím zipu na stříšce zlepšíte zastínění. (17)
- 3 - Pro zajištění lepšího větrání otočte kryt okénka ve stříšce směrem nahoru. (18)

### Sklon

K dispozici jsou 4 polohy sklonu opěrky.

- 1 - Chcete-li opěrku zvednout nebo spustit, stiskněte tlačítko nastavení sklonu (19)-1, a stlačte sedačku nahoru nebo dolů (19)-2.  
! Prosím nedržte tlačítko (19)-3 pojistky polohování během úpravy úhlu náklonu. Ujistěte se, že náklon je řádně nastaven pro použití.



## Opěrka nohou

Opěrka nohou má 2 polohy.

- 1- Chcete-li opěrku nohou umístit výše, zvedněte ji.
- 2- Chcete-li opěrku nohou nastavit níže, stiskněte pojistky (20)-1, a zatlačte opěrku směrem dolů (20)-2.

## Rukojeť

Rukojeť má 5 poloh.

- 1- Chcete-li upravit výšku rukojeti, zatáhněte za pojistky rukojeti (21)-1 a přitáhněte rukojeť nahoru nebo dolů (21)-2.

## Brzda

- 1- Chcete-li zablokovat zadní kolečka, šlápněte na páku brzdy. (22)
  - 2- Chcete-li odblokovat zadní kolečka, zvedněte páku brzdy. (23)
- ! Když se kočárek nepohybuje, vždy jej zabrzděte. Mírně zatlačte na kočárek a ověřte, zda je zabrzděný.

## Zámky natáčení předních koleček

Na nerovném povrchu doporučujeme zablokovat natáčení předních koleček.

- 1- Vysunutím zámku natáčení předního kolečka zablokujete přední kolečko. (24)
- 2- Zatlačením zámku natáčení předního kolečka odblokuje natáčení. (25)

## Skládání

Kočárek lze složit se sedátkem v orientaci po směru nebo proti směru jízdy nebo bez sedátka. Před složením kočárku nastavte rukojeť do nejnižší polohy a zkontrolujte, zda není zablokováno natáčení předních koleček.

- 1- Složte stříšku. (26)
  - 2- Stiskněte uvolňovací tlačítko pro rozložení (27)-1 uprostřed tlačítka pro nastavení sklonu a poté odjistěte pojistku pro nastavení sklonu (27)-2.
  - 3- Složte sedátko. (28)
  - 4- Pro rozložení kočárku zatáhněte za popruh rozložení sedátka. (29)
  - 5- Kočárek se sedátkem v orientaci ve směru jízdy může stát na kolečkách, a se sedátkem v orientaci proti směru jízdy může stát na rukojeti a zadních kolečkách. (30)
  - 6- Stiskněte tlačítka sklopení držáků sedátka. (31)
  - 7- Složte kočárek. (32)
- ! Kočárek bez sedačky může stát za rukojeť a přední kolečka.

## Vložka

- 1- Při použití položte vložku na sedačku a protáhněte ramenní postroj, bederní postroj a postroj přes rozkrok příslušnými otvory. (33)

## Příslušenství

- ! U některých modelů není některé příslušenství k dispozici.

## Adaptéry

Pokyny pro instalaci a používání autosedačky Nuna pro novorozence a hlubokého korby TRIV najdete v návodu na použití autosedačky a hlubokého korby.

- 1- Při nasazování adaptérů umístěte adaptéry na držáky sedačky. „Cvaknutí“ znamená, že adaptéry jsou připojeny. (34)(35)
- 2- Při nasazování autosedačky umístěte autosedačku pro novorozence na adaptéry. „Cvaknutí“ znamená, že autosedačka pro novorozence je připojena. (36)
- 3- Při nasazování hluboké korby umístěte hlubokou korbu na adaptéry. „Cvaknutí“ znamená, že korba je připojena. (37)
- 4- Úhel nosítka pro novorozence a hluboké korby lze upravit s použitím našich stavitelných adaptérů. (38)
- 5- Při používání v orientaci proti směru jízdy jsou písmena na adaptérech pro instalaci stejná, jako písmena na plastu rámu. (39)
- 6- Při používání v orientaci po směru jízdy jsou písmena na adaptérech opačná, než písmena na plastu rámu. (40)
- 7- Chcete-li odpojit autosedačku pro novorozence, stiskněte uvolňovací tlačítka na nosítku (41)-1 a zvedněte (41)-2.
- 8- Chcete-li hlubokou korbu odpojit, stiskněte uvolňovací tlačítka autosedačky (42)-1 a zvedněte (42)-2.
- 9- Chcete-li odpojit adaptéry, zatáhněte za uvolňovací tlačítka adaptéru (43)-1 a zvedněte (43)-2.

- ! Před složením sejměte autosedačku pro novorozence.

## Rozložení kočárku s adaptéry

Před rozložením kočárku s adaptéry pro instalaci nastavte rukojeť do nejnižší polohy a zkontrolujte, zda je zablokováno natáčení předních koleček.

- 1- Pro rozložení kočárku zatáhněte za popruh rozložení adaptérů. (44)

- ! Kočárek s adaptéry pro instalaci může stát za rukojeť a přední kolečka.

## TRIV Pláštěnka

Před nasazením pláštěnky zkontrolujte, zda je stříška zcela otevřená.

- 1- Nasadte pláštěnku přes sportovní nastavbu. (45)

- ! Když je na kočárku umístěna pláštěnka, VŽDY kontrolujte větrání.

Před složením VŽDY zkontrolujte, zda byla pláštěnka očištěna a je suchá.

**NESKLÁDEJTE** kočárek s nasazenou pláštěnkou.

**NEUMÍSTUJTE** své dítě v horkém počasí do kočárku s nasazenou pláštěnkou.

## Sejmutí a montáž látkových částí

Při snímání látkových částí sedačky postupujte podle kroků (46) - (59) podle obrázku. Při nasazování látkových částí postupujte dle předchozího postupu v obráceném pořadí.

## Čištění a údržba

Rám, plastové části a potah můžete čistit vlhkým hadříkem. Nepoužívejte abrazivní prostředky ani bělidlo. Nepoužívejte silikonová maziva, která přitahují prach a nečistoty. Kočárek neskladujte na vlhkém místě.

Kolečka kočárku pravidelně čistěte vodou a odstraňujte veškeré nečistoty.

Aby byla zajištěna dlouhá životnost, po používání v deštivém počasí otřete kočárek měkkým savým hadříkem.

Pokyny pro praní a sušení jsou uvedeny na štítku s pokyny pro péči a údržbu, který jsou připevněn na textilních částech.

Je normální, že barva potahu časem vybledne a opotřebuje se v důsledku praní a/nebo slunečního záření, a to i při běžném používání.

Z bezpečnostních důvodů používejte pouze originální díly Nuna.

Pravidelně kontrolujte, zda vše funguje správně. Pokud je některá část kočárku roztržená, poškozená, nebo chybí, přestaňte kočárek používat.

# DÔLEŽITÉ PRED POUŽITÍM PREČÍTAJTE POZORNE TENTO NÁVOD A USCHOVAJTE HO PRE BUDÚCU POTREBU

## Informácie o výrobku

Číslo modelu: \_\_\_\_\_

Dátum výroby: \_\_\_\_\_

### Záruka

Zámerné sme navrhli naše výrobky vysokej kvality tak, aby mohli rásť s vašim dieťaťom aj vašou rodinou. Pretože si stojíme za naším výrobkom, vzťahuje sa naň záruka dva roky začínajúc dňom zakúpenia. Ak nás budete kontaktovať, pripravte si doklad o kúpe, číslo modelu a dátum výroby.

Viac informácií o záruke nájdete na stránke: [www.nunababy.com](http://www.nunababy.com)  
Na domovskej stránke kliknite na odkaz „Záruka“.

### Kontakt

Ohľadne náhradných dielov, servisu alebo ďalších otázok o záruke sa obráťte na naše oddelenie služieb zákazníkom.

[info@nunababy.com](mailto:info@nunababy.com)  
[www.nunababy.com](http://www.nunababy.com)

### Požiadavky na používanie s deťmi

Tento kočík je vhodný na používanie s deťmi, ktoré spĺňajú nasledujúce požiadavky:

Od narodenia do 22 kg alebo 4 rokov, podľa toho, čo nastane skôr

Pri používaní rámu kočíka s hlbokou korbou TRIV alebo detskou sedačkou Nuna si pozrite požiadavky na používanie s deťmi v príslušných návodoch na použitie.

## ⚠ UPOZORNENIE

**Nedodržanie týchto výstrah a pokynov môže viesť k vážnemu poraneniu alebo smrti.**

Používajte vždy upevňovací systém.

Pred použitím skontrolujte, či sú správne pripevnené upevňovacie zariadenia kočiarika, sedačky alebo autosedačky.

Tento výrobok nie je hračka. Nenechajte dieťa hrať sa s týmto výrobkom.

Pred používaním sa uistite, že všetky zaisťovacie zariadenia sú zaistené.

**NIKDY** nenechávajte dieťa bez dozoru.

Tento výrobok nie je vhodný na behanie, korčuľovanie.

Pri rozopínaní a zapínaní sa uistite, že dieťa nie je v kočiariku, aby ste predišli prípadnému úrazu.

Príslušenstvo, ktoré nie je schválené výrobcom, sa nesmie používať. Musia sa používať len náhradné diely dodávané alebo odporúčané výrobcom/distribútorom.

Montáž musia vykonať dospelé osoby.

**VŽDY**, keď zastavíte, aktivujte parkovaciu brzdú.

Na žiadne poškodenie spôsobené používaním príslušenstva, ktoré nie je dodávané spoločnosťou Nuna, sa nebudú vzťahovať podmienky záruky.

Akékoľvek zaťaženie pôsobiace na rukoväť a/alebo zadnú stranu operadla a/alebo na boky vozidla ovplyvní stabilitu vozidla.

Predtým, než dovoľíte dieťaťu byť v blízkosti kočíka, sa ubezpečte, že je kočík úplne postavený a zaistený.

**NEVOZTE** ďalšie deti, tovar ani príslušenstvo v kočíku alebo na inom iným spôsobom, ako je povolený v tejto príručke. Môžu spôsobiť, že sa kočík stane nestabilným.

**NENECHÁVAJTE** kočík vystavený v blízkosti silného zdroja tepla, t. j. radiátora alebo otvoreného ohňa.

**NEUMIESTŇUJTE** na plátennú striešku žiadne predmety.

**NESKLADUJTE** kočík na vlhkom mieste. Textil nechajte vždy prirodzene vyschnúť mimo priameho tepla.

**NEPOUŽÍVAJTE** úložný košík ako nosič na dieťa.

**NEPOUŽÍVAJTE** kočík, ak sú akékoľvek diely poškodené alebo chýbajú.

Pre autosedačky používané v spojení s rámom platí, že toto vozidlo nenahrádza korbú ani posteľ. Ak vaše dieťa potrebuje spať, malo by sa umiestniť do vhodného telesa kočíka, korby alebo postele.

Malé časti uchovávajte mimo dosahu detí, pretože predstavujú nebezpečenstvo zadusenia.

Obrubníky a nerovný povrch prekonávajte s opatrnosťou. Opakovaný náraz môže spôsobiť poškodenie kočíka.

**NIKDY** nedovoľte deťom postaviť sa na kočík.

**NIKDY** neprevážajte v kočíku naraz viac ako jedno dieťa.

**NIKDY** nepoužívajte kočík na schodoch alebo eskalátoroch. Môžete zrazu stratiť kontrolu nad kočíkom alebo vám môže dieťa vypadnúť.

Popruhy sa musia vždy správne nasadiť a upraviť. Popruhy nie sú náhradou za riadny dohľad dospelých.

Pri vkladaní a vyberaní detí sa musí aktivovať parkovacia brzda.

Preťaženie, nesprávne skladanie a používanie príslušenstva, napr. detských sedačiek, háčikov na tašky, krytov proti dažďu, závesných stúpadiel atď..., okrem tých, ktoré schválila spoločnosť Nuna, môže kočík poškodiť alebo spôsobiť, že nebude bezpečný.

Gumené pneumatiky môžu zanechať na hladkých povrchoch, ako sú parkety, lamináty a linoleum, čierne známky oteru.

**NEBEZPEČENSTVO UŠKRATENIA** Aby sa zabránilo uškrteniu, okolo krku dieťaťa neumiestňujte predmety so šnúrkami, šnúrky nenechajte visieť z tohto výrobku ani ich neuväzujte k hračkám.

Aby ste zabránili akémukoľvek nebezpečenstvu zadusenia, pred použitím tejto položky odstráňte všetky plastové kryty a zničte ich alebo ich uchovávajte mimo dosahu dojíciat a detí!

Aby ste predišli nebezpečným a nestabilným podmienkam, pred použitím neumiestňujte do úložného košíka viac ako 4,5 kg a do odkladacieho vrečka neumiestňujte viac ako 0,45 kg.

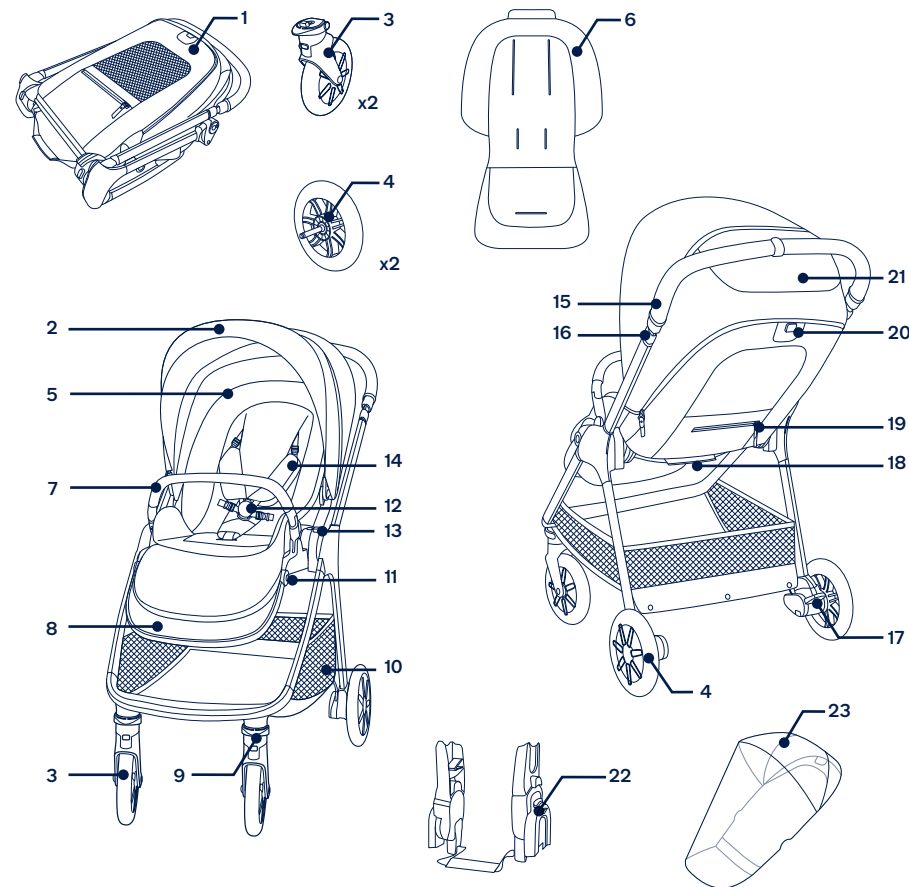
Pre novo narodené deti **POUŽÍVAJTE** úplne sklopenú polohu.

Používajte kočík s dieťaťom, ktoré neváži viac ako 22 kg. S dieťaťom nevyhovujúcim týmto kritériám dôjde k poškodeniu kočíka.

## Zoznam jednotlivých častí

Pred zostavením skontrolujte, či máte všetky časti. Ak chýba ktorákoľvek časť, obráťte sa na svojho predajcu. Na zostavenie nie sú potrebné žiadne nástroje.

1	Rám kočíka	13	Uvoľňovacie tlačidlo sedačky
2	Textilná strieška	14	Poduška ramenných popruhov
3	Predné koleso (x2)	15	Rukoväť
4	Zadné koleso (x2)	16	Tlačidlo na nastavenie rukoväte
5	Čalúnenie sedačky	17	Brzdová páčka
6	Vložka	18	Skladací popruh
7	Držadlo	19	Odkladacie vrečko (maximálna záťaž = 0,45 kg)
8	Lýtková opierka	20	Tlačidlo na nastavenie sklonu/Uvoľňovacie tlačidlo skladania
9	Zámok otáčania	21	Otvor plátennej striešky
10	Úložný košík	22	Pripájacie adaptéry
11	Tlačidlo na nastavenie lýtkovej opierky	23	Kryt proti dažďu



## Zostavenie výrobku

### Rozloženie kočíka

- 1 - Vytiahnite rám kočíka. (1)
- 2 - Otočením rukoväte smerom nahor rozložíte rám kočíka. (2)
- 3 - Potiahnite sedačku, aby ste ju rozložili. (3)

Zvuk „cvaknutia“ znamená, že je sedačka rozložená.

Pred pokračovaním skontrolujte, či je kočík úplne rozložený so zaistenými západkami.

### Zmena orientácie sedačky

V prípade potreby zmeňte orientáciu sedačky.

- 1 - Stlačte uvoľňovacie tlačidlo sedačky (4)-1 a nadvihnite sedačku (4)-2.
- 2 - Obráťte sedačku a potom ju pripevnite k rámu. (5)

Zvuk „cvaknutia“ znamená, že je sedačka úplne pripevnená.

### Predné kolesá

- 1 - Zasuňte predné koleso do prednej nohy. (6)

Zvuk „cvaknutia“ znamená, že je predné koleso úplne zostavené.

Potiahnutím smerom von skontrolujte, či je koleso bezpečne pripevnené. Postup zopakujte na opačnej strane.

- 2 - Ak chcete vybrať predné koleso, stlačte uvoľňovacie tlačidlo (7)-1 a odpojte predné koleso od prednej nohy (7)-2.

### Zadné kolesá

- 1 - Zasuňte zadné koleso do zadnej nohy. (8)

Zvuk „cvaknutia“ znamená, že je zadné koleso úplne zostavené.

Potiahnutím smerom von skontrolujte, či je koleso bezpečne pripevnené. Postup zopakujte na opačnej strane.

- 2 - Ak chcete vybrať zadné koleso, stlačte uvoľňovacie tlačidlo (9)-1 a odpojte zadné koleso od zadnej nohy (9)-2.

### Držadlo

! Vždy zaistíte dieťa popruhmi. Držadlo nie je zadržiacie zariadenie.

- 1 - Zarovnajtie konce držadla s držiakmi držadla a zasuňte ho tak, aby zacvaklo na miesto. (10)

Zvuk „cvaknutia“ znamená, že je držadlo úplne zostavené.

- 2 - Ak chcete vybrať držadlo, stlačte uvoľňovacie tlačidlo držadla (11)-1 a vyberte držadlo (11)-2.

### Skontrolujte zostavenie

- Rám kočíka je rozložený so zaistenými západkami
- Sedačka kočíka je bezpečne pripevnená
- Zadné a predné kolesá sú bezpečne pripevnené
- Držadlo je bezpečne pripevnené

## Používanie výrobku

### Zaistenie dieťaťa

- 1 - Stlačte horné tlačidlo na sponě (12)-1, aby ste uvoľnili západku spony a vyberte magnetické upevňovacie prvky (12)-2. Vložte dieťa do kočíka.
- 2 - Zasuňte magnetické upevňovacie prvky do spony. (13)
- 3 - Nasadte popruhy pohodlne na dieťa potiahnutím za nastavovacie remienky na dotiahnutie (14)-1. Potom vytiahnite bedrové nastavovacie remienky (14)-2.

### Poloha ramenných popruhov

- 1 - Horné spony ramenných popruhov sa môžu pohybovať nahor a nadol kvôli dodatočnému nastaveniu. (15)
- ! Aby ste predišli vážnemu poraneniu v dôsledku pádu alebo vyklznutia, vždy zaistíte dieťa pomocou popruhov.

Skontrolujte, či sú popruhy riadne nastavené a dieťa pohodlne zaistené. Medzera medzi dieťaťom a ramennými popruhmi musí byť široká asi na hrúbku jedného prsta.

**NEPREKRÍŽTE** ramenné pásy. Spôsobí to tlak na krk dieťaťa.

### Textilná strieška

- 1 - Ak chcete rozložiť plátennú striešku, potiahnite ju smerom k prednej časti sedačky a ak ju budete chcieť zložiť, potlačte ju dozadu. (16)
- 2 - Rozopnite zips na plátenej strieške, ak chcete získať viac tieňa a vetrania. (17)
- 3 - Ak chcete zvýšiť vetranie, vyklopte kryt otvoru plátenej striešky. (18)

### Sklon

Operadlo má 4 polohy sklonu.

- 1 - Ak chcete operadlo zvýšiť alebo znížiť, stlačte tlačidlo na nastavenie sklonu (19)-1 a potiahnite operadlo nahor alebo nadol (19)-2.

! Pri nastavovaní uhlu sklonu nestlačte tlačidlo (19)-3 v strede tlačidla na nastavenie sklonu. Skontrolujte, či je sklon upravený správne pre používanie.

### Lýtková opierka

Lýtková opierka má 2 polohy použitia.

- 1 - Ak chcete lýtkovú opierku zvýšiť, zdvihnite ju.
- 2 - Ak chcete lýtkovú opierku znížiť, stlačte nastavovacie tlačidlo (20)-1 a zatlačte nadol (20)-2.

### Rukoväť

Rukoväť má 5 polôh.

- 1 - Ak chcete nastaviť výšku rukoväte, potiahnite tlačidlo na nastavenie rukoväte (21)-1 a potiahnite rukoväť nahor alebo nadol (21)-2.

### Brzda

- 1 - Ak chcete zablokovať zadné kolesá, zošliapnite brzdovú páčku. (22)
  - 2 - Ak chcete odblokovať zadné kolesá, nadvihnite brzdovú páčku. (23)
- ! Vždy, keď je kočík odstavený, aktivujte brzdu. Jemne zatlačte na kočík, aby ste sa uistili, že je brzda zatiahnutá.

### Predné zámky otáčania

Na nerovných povrchoch sa odporúča použitie predných zámok otáčania.

- 1 - Vytiahnite predný zámok otáčania dohora, aby ste zamkli predné koleso. (24)
- 2 - Ak chcete predný zámok otáčania odomknúť, zatlačte ho nadol. (25)

### Zloženie

Kočík možno zložiť so sedačkou smerujúcou dopredu, dozadu alebo aj bez sedačky. Pred zložením kočíka nastavte rukoväť do najnižšej polohy a uistite sa, že sú predné zámky otáčania odistené.

- 1 - Zložte plátennú striešku. (26)
  - 2 - Stlačte uvoľňovacie tlačidlo skladania (27)-1 v strede tlačidla na nastavenie sklonu a potom stlačte tlačidlo na nastavenie sklonu (27)-2.
  - 3 - Zložte sedačku. (28)
  - 4 - Potiahnutím za skladací popruh sedačky zložte kočík. (29)
  - 5 - Kočík so sedačkou smerujúcou tvárou dopredu môže stáť na kolesách, a so sedačkou smerujúcou tvárou dozadu môže stáť na rukoväti a zadných kolesách. (30)
  - 6 - Stlačte skladacie tlačidlá držiakov sedačky. (31)
  - 7 - Zložte kočík. (32)
- ! Kočík bez sedačky môže stáť na rukoväti a predných kolesách.

### Vložka

- 1 - Ak chcete zostaviť vložku, položte ju na na sedadlo a prevlečte ramenné, bedrové a rozkrokové popruhy cez ich príslušné otvory. (33)

## Príslušenstvo

! Pri niektorých modeloch sa nedodáva všetko príslušenstvo ako ich súčasť.

### Pripájacie adaptéry

Ohľadne zostavenia a používania detskej sedačky Nuna a hlbokéj korbby TRIV si pozrite návody na použitie detskej sedačky a hlbokéj korbby.

- 1 - Aby ste pripevnili pripájacie adaptéry, položte ich na držiaky sedačky. Zvuk „cvaknutia“ znamená, že sú pripájacie adaptéry pripevnené. (34)(35)
  - 2 - Aby ste pripevnili detskú sedačku, položte ju na pripájacie adaptéry. Zvuk „cvaknutia“ znamená, že je detská sedačka pripevnená. (36)
  - 3 - Aby ste pripevnili hlbokú korbpu položte ju na pripájacie adaptéry. Zvuk „cvaknutia“ znamená, že je hlboká korbpa pripevnená. (37)
  - 4 - Uhol detskej sedačky a prenosnej postielky možno nastaviť pomocou našich nastaviteľných adaptérov. (38)
  - 5 - Pri použití smerovaním tvárou dozadu sú písmená na pripájacích adaptéroch rovnaké ako na plaste rámu. (39)
  - 6 - Pri použití smerovaním tvárou dopredu sú písmená na pripájacích adaptéroch opačne oproti tým na plastovom ráme. (40)
  - 7 - Ak chcete vybrať detskú sedačku, stlačte uvoľňovacie tlačidlá na detskej sedačke (41)-1 a zdvihnite ju (41)-2.
  - 8 - Ak chcete vybrať hlbokú korbpu stlačte uvoľňovacie tlačidlá na boku hlbokéj korbby (42)-1 a zdvihnite ju (42)-2.
  - 9 - Ak chcete vybrať pripájacie adaptéry, potiahnite uvoľňovacie tlačidlá adaptéra (43)-1 a zdvihnite ich (43)-2.
- ! Pred zložením vyberte detskú sedačku a hlbokú korbpu.

### Zložte kočík s pripájacími adaptérmí

Pred zložením kočíka s pripájacími adaptérmí nastavte rukoväť do najnižšej polohy a uistite sa, že sú predné zámky otáčania zaistené.

- 1 - Potiahnutím za skladací popruh pripájacích adaptérov zložte kočík. (44)

! Kočík s pripájacími adaptérmí môže stáť na rukoväti a predných kolesách.

## Pláštenka TRIV

Pred pripevnením pláštenu skontrolujte, či je textilná strieška úplne rozložená.

- 1 - Ak chcete zostaviť pláštenku umiestnite ju nad kočík. (45)

! Keď je pláštenka na výrobku, **VŽDY** skontrolujte vetranie.

Pred zložením **VŽDY** skontrolujte, či je pláštenka vyčistená a vysušená.

**NESKLADAJTE** kočík s pripevnenou pláštenkou.

V horúcom počasí **NEDÁVAJTE** dieťa do kočíka s pripevnenou pláštenkou.

## Odpojenie a zostavenie mäkkých textílií

Ak chcete odpojiť mäkké textílie sedačky, postupujte podľa krokov (46) - (59), ako je znázornené, a ak chcete mäkké textílie sedačky pripojiť späť, postupujte podľa vyššie uvedených krokov v opačnom poradí.

## Čistenie a údržba

Očistite rám, plastové časti a textil vlhkom handričkou, ale nepoužívajte brúsne čistiace prostriedky ani bielicidlo. Nepoužívajte silikónové mazivá, pretože viažu na seba nečistoty a špinu. Neskladujte kočík na vlhkom mieste.

Pravidelne čistite kolesá kočíka vodou a odstráňte všetku špinu.

Aby ste zaistili dlhodobé používanie, po použití v daždivom počasí utrite kočík mäkkou absorpčnou handričkou.

Pozrite si štítok s návodom na ošetrovanie, ktorý je pripevnený k mäkkým textíliám, a kde sú uvedené pokyny na umývanie a sušenie.

Je normálne, že sa farba textilu zmení pôsobením slnečného žiarenia a po dlhom používaní bude vykazovať opotrebovanie aj pri normálnom používaní.

Z bezpečnostných dôvodov používajte len originálne diely od spoločnosti Nuna.

Pravidelne kontrolujte, či všetko funguje ako má. Ak sú ktorékoľvek časti roztrhnuté, zlomené alebo chýbajú, prestaňte tento výrobok používať.

# VAŽNO! PROČITAJTE PAŽLJIVO I SAČUVAJTE ZA BUDUČU UPORABU

## Podaci o proizvodu

Broj modela: \_\_\_\_\_

Datum proizvodnje: \_\_\_\_\_

### Jamstvo

Osmislili smo i proizveli naše proizvode visoke kvalitete kako bi mogli rasti s vašim djetetom i obitelji. Budući da stojimo iza našeg proizvoda, naša je oprema pokrivena jamstvom za proizvod, počevši od dana kupnje. Prije no što nas kontaktirate pripremite dokaz o kupnji, broj modela i datum proizvodnje.

Za informacije o jamstvu posjetite:

[www.nunababy.com](http://www.nunababy.com)

Kliknite na vezu "Jamstvo" na početnoj stranici.

### Kontakt

Za zamjenske dijelove, servis ili moguća pitanja u svezi jamstva kontaktirajte našu službu za korisnike.

[info@nunababy.com](mailto:info@nunababy.com)

[www.nunababy.com](http://www.nunababy.com)

## Uvjeti za upotrebu

Ova sjedalica za kolica prikladna je za djecu koja su sljedećih mjera:

Od rođenja do 22 kg ili 4 godine, koje od toga prije nastupi

Kad se okvir dječjih kolica koristi s košarom za bebu ili Nuna nosiljkama za bebu pogledajte uvjete i mjere djeteta navedene u odgovarajućem priručniku s uputama tog proizvoda.

## ⚠ UPOZORENJE

Nepoštivanje ovih upozorenja i uputa može predstavljati opasnost od ozbiljnih ozljeda sa smrtnim ishodom.

Uvijek upotrebljavajte sigurnosne pojase.

Provjerite jesu li okvir kolica ili jedinica za sjedenje, ili uređaji za pričvršćivanje u autu ispravni prije njihove uporabe.

**NE** dopustite djetetu da se igra s ovim proizvodom.

Prije uporabe kolica, provjerite jesu li svi dijelovi za učvršćivanje ispravni.

Nikada ne ostavljajte dijete bez nadzora.

Ovaj proizvod nije namijenjen trčanju ili rolanju.

Kako biste izbjegli ozljede, pobrinite se da dijete bude na sigurnoj udaljenosti kada sklapate ili rasklapate ovaj proizvod.

Nije dopuštena upotreba dodatne opreme koju proizvođač nije odobrio. Treba koristiti isključivo zamjenske dijelove koje isporučuje ili preporučuje proizvođač / zastupnik.

Sklapanje treba vršiti odrasla osoba.

**UVIJEK** koristite parkirnu kočnicu prilikom zaustavljanja.

Svaka šteta uzrokovana korištenjem dodatne opreme koju nije isporučila tvrtka Nuna neće biti pokrivena jamstvom.

Svaki teret prikvačen na ručku i / ili na stražnji dio naslona za leđa i / ili na stranama kolica utjecat će na njihovu stabilnost.

Prije korištenja provjerite jesu li kolica u potpunosti podignuta i sigurno učvršćena.

**NE** nosite ili vozite još jedno dijete, namirnice i druge predmete u ili na kolicima osim kako je navedeno u ovom priručniku. To može prouzročiti nestabilnost kolica.

**NE** ostavljajte kolica u blizini jakog izvora topline, na primjer radijatora ili otvorene vatre.

**NE STAVLJAJTE** ništa na krovčić.

**NE** spremajte kolica na vlažno mjesto. Uvijek pustite neka se tkanina prirodno osuši dalje od izvora topline.

**NE** koristite košaru za odlaganje kao ležaljku za dijete.

**NE** koristite kolica ako je bilo koji dio oštećen ili nedostaje.

Za auto-sjedalice koje se koriste zajedno s kućištem, ova kolica nisu zamjena za prijenosni krevetić ili dječji krevetić. Ako dijete treba spavati, stavite ga u odgovarajući sklopivi ili običan dječji krevetić.

Male dijelove udaljite od djece jer predstavljaju opasnost od gušenja.

Pravilno i pažljivo procijenite zavoje na putu i neravne terene. Ponavljajući udarci mogu oštetiti kolica.

**NIKAD** ne dopuštajte djeci stajanje na kolicima.

**NIKAD** u kolicima ne vozite više od jednog djeteta.

**NIKAD** ne koristite kolica na stepenicama ili pokretnim stepenicama. Iznenada možete izgubiti kontrolu nad kolicima i dijete može ispasti iz njih.

Sigurnosne pojaseve treba uvijek pravilno staviti i namjestiti. Sigurnosni pojasevi nisu zamjena za pravilno nadziranje odrasle osobe.

Prilikom stavljanja i dizanja djeteta treba aktivirati parkirnu kočnicu.

Preopterećenje, nepravilno sklapanje i upotreba dodatne opreme, na primjer dječje sjedalice, kuke za torbu, prekrivke protiv kiše, dodatnog nosača za veće dijete i sl., osim onih koje je odobrila tvrtka Nuna mogu oštetiti ili učiniti kolica opasnim.

Gumeni kotači mogu ostavljati crne mrlje i tragove na glatkim površinama poput parketa, laminatnih podova i linoleuma.

**OPASNOST OD DAVLJENJA** **NE** postavljajte predmete s trakama ili nitima oko dječjeg vrata, maknite viseće trake s ovog proizvoda i ne stavljajte trake na igračke.

Kako biste spriječili i najmanju opasnost od gušenja prije upotrebe ovog proizvoda uklonite i uništite ili držite dalje od beba i djece sve plastične pokrove!

Radi sprječavanja opasnih i nestabilnih situacija ne stavljajte više od 4,5 kg u košaru za odlaganje i više od 0,45 kg u džep za odlaganje.

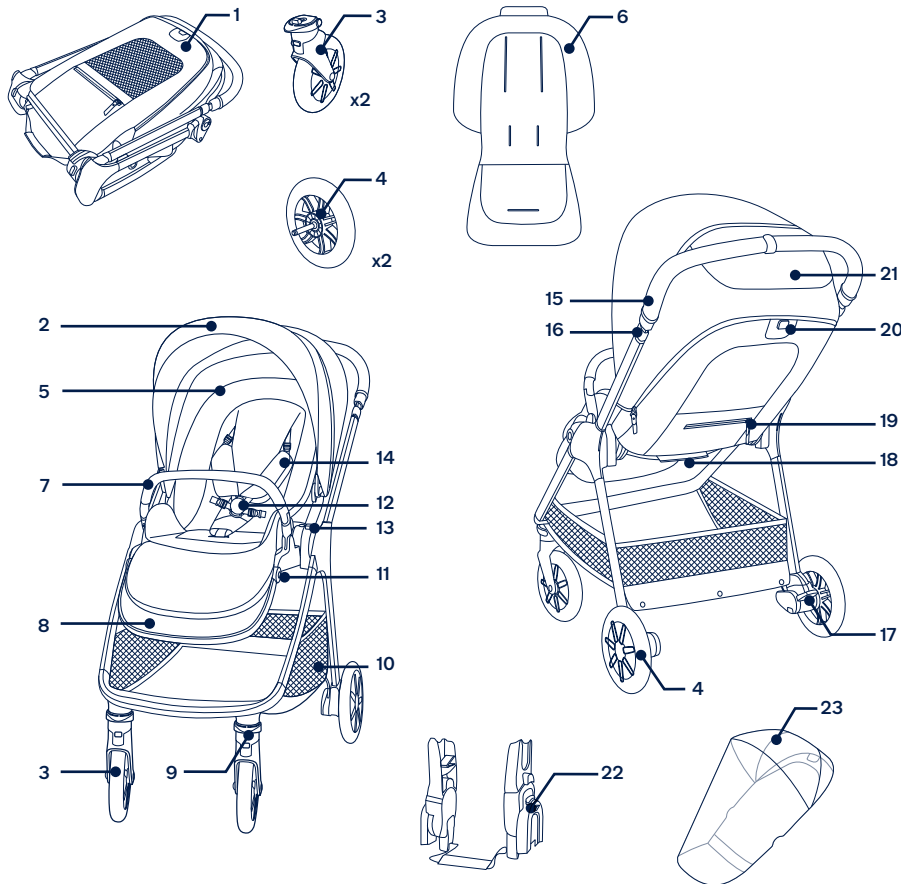
Za novorođenčad **KORISTITE** u potpuno spuštenom položaju.

Kolica koristite samo za prijevoz djeteta ne težeg od 22 kg. Kolica nisu namijenjena za dijete veće težine, pa će se na njima pojaviti oštećenja.

## Popis dijelova

Prije sklapanja provjerite jesu li raspoloživi svi dijelovi. Ako bilo koji dio nedostaje kontaktirajte lokalnog prodavača. Za sklapanje nije potreban alat.

- |   |  |
|---|--|
| 1 Okvir kolica                          | 13 Tipka za oslobađanje sjedalice                                      |
| 2 Krovčić                               | 14 Jastučić ramenog pojasa   |
| 3 Prednji kotač (x2)                    | 15 Ručka   |
| 4 Stražnji kotač (x2)                   | 16 Tipka za podešavanje ručke  |
| 5 Jastuk sjedalice                      | 17 Poluga kočnice  |
| 6 Umetak                                | 18 Remen za preklapanje  |
| 7 Prečka za ruke                        | 19 Džep za odlaganje (maksimalno opterećenje = 0,45 kg)                |
| 8 Potpora za noge                       | 20 Tipka za podešavanje nagiba / tipka za oslobađanje radi preklapanja |
| 9 Blokada okretanja                     | 21 Prozorčić na krovčiću   |
| 10 Košara za odlaganje                  | 22 Adapteri za postavljanje  |
| 11 Tipka za namještanje podloge za noge | 23 Pokrov za zaštitu od kiše   |
| 12 Kopča                                |  |



## Postavljanje proizvoda

### Otvaranje kolica

- Izvadite okvir kolica. (1)
- Rotirajte ručku prema gore radi otvaranja okvira kolica. (2)
- Povucite sjedalicu kako bi se otvorila. (3)  
Zvuk „klik“ znači da je sjedalica otvorena.  
Prije nastavka provjerite jesu li kolica pravilno i dobro učvršćena.

### Okretanje sjedalice

Prema potrebi okrenite smjer sjedalice.

- Pritisnite tipku za oslobađanje sjedalice (4)-1 i podignite sjedalicu (4)-2.
- Okrenite smjer sjedalice i postavite je na okvir. (5)  
Zvuk „klik“ znači da je sjedalica pravilno učvršćena

### Prednji kotači

- Umetnite prednji kotač u prednju nogu. (6)  
Zvuk „klik“ znači kako da je prednji kotač pravilno učvršćen.  
Provjerite je li kotač pravilno učvršćen tako što ćete ga povući prema van. Ponovite na drugoj strani.
- Za skidanje prednjeg kotača pritisnite tipku za oslobađanje (7)-1 i skinite prednji kotač s prednje noge (7)-2.

### Stražnji kotači

- Umetnite stražnji kotač u stražnju nogu. (8)  
Zvuk „klik“ znači da je stražnji kotač pravilno učvršćen.  
Provjerite je li kotač pravilno učvršćen tako što ćete ga povući prema van. Ponovite na drugoj strani.
- Za skidanje stražnjeg kotača pritisnite tipku za oslobađanje (9)-1 i skinite stražnji kotač sa stražnje noge (9)-2.

### Prečka za ruke

- ! Dijete uvijek učvrstite pojasevima. Prečka za ruke ne služi za osiguravanje i učvršćivanje djeteta.
- Poravnajte krajeve prečke za ruke s nosačima prečke za ruke i umetnite dok se ne začuje klik. (10)  
Zvuk „klik“ znači kako je prečka za ruke pravilno učvršćena.
  - Za skidanje prečke za ruke pritisnite tipke za oslobađanje prečke za ruke (11)-1 i skinite prečku za ruke (11)-2.

### Provjera postavljanja

- Okvir kolica je otvoren i učvršćen
- Sjedalica kolica je sigurno pričvršćena
- Stražnji i prednji kotači su sigurno pričvršćeni
- Prečka za ruke je sigurno pričvršćena

## Korištenje proizvoda

### Osiguravanje i pričvršćivanje djeteta

- Pritisnite gornji gumb na kopči (12)-1 kako biste oslobodili jezičac kopče i uklonili magnetske stezaljke (12)-2. Stavite dijete u kolica.
- Umetnite magnetske stezaljke u kopču. (13)
- Namjestite trake za pričvršćivanje na dijete povlačenjem traka za podešavanje kako biste ih čvrsto zategnuli (14)-1. Zatim povucite trake za podešavanje na struku prema van (14)-2.

### Položaj ramenog pojasa

- Kopče gornjeg ramenog pojasa mogu se pomicati prema gore i prema dolje za dodatno podešavanje. (15)  
! Radi sprječavanja ozbiljnih ozljeda zbog ispadanja ili isključivanja djeteta uvijek učvrstite pojasevima.  
Provjerite jesu li pojasevi pravilno namješteni i je li dijete dobro i pravilno učvršćeno. Razmak između djeteta i ramenih pojasa smije biti približno debljine jednog prsta.  
NE križajte ramene pojaseve. Time biste prouzročili pritisak na vrat djeteta.

### Krovčić

- Za otvaranje krovčića povucite ga prema prednjem dijelu sjedalice, a za sklapanje ga gurnite natrag. (16)
- Otvorite patentni zatvarač na krovčiću radi dodatnog zasjenjivanja. (17)
- Za bolje prozračivanje odignite pokrov prozorčića na krovčiću. (18)

### Naginjanje

Postoje 4 položaja nagiba naslona za leđa.

- Za podizanje ili spuštanje naslona za leđa, stisnite tipku za podešavanje nagiba (19)-1 i gurnite naslon za leđa prema gore ili dolje (19)-2.  
! NE pritišćite tipku (19)-3 u sredini tipke za podešavanje nagiba prilikom podešavanja kuta nagiba.  
Provjerite je li nagib pravilno namješten za upotrebu.

## Potpora za noge

Potpora za noge ima 2 položaja za upotrebu.

- 1- Za podizanje potpore za noge, podignite je.
- 2- Za spuštanje potpore za noge pritisnite tipku za podešavanje (20)-1 i gurnite prema dolje (20)-2.

## Ručka

Ručka ima 5 položaja.

- 1- Za podešavanje visine ručke povucite tipku za podešavanje ručke (21)-1 i povucite ručku prema gore ili dolje (21)-2.

## Kočnica

- 1- Za blokadu stražnjih kotača nogom pritisnite polugu kočnice. (22)
- 2- Za odblokiranje stražnjih kotača odignite polugu kočnice. (23)

! Uvijek koristite kočnicu kad su kolica zaustavljena. Lagano gurnite kolica kako biste aktivirali kočnicu.

## Blokada zakretanja prednjeg kraja

Na neravnim površinama preporučuje se korištenje blokada zakretanja prednjeg kraja.

- 1- Povucite blokadu zakretanja prednjeg kraja prema gore radi blokade prednjih kotača. (24)
- 2- Gurnite blokadu zakretanja prednjeg kraja prema dolje kako biste odblokirali. (25)

## Preklapanje

Kolica se mogu sklopiti sa sjedalicom okrenutom u smjeru vožnje, sjedalicom okrenutom suprotno od smjera vožnje ili bez sjedalice. Prije sklapanja kolica namjestite ručku na najniži položaj i provjerite jesu li blokade zakretanja prednjeg kraja odblokirane.

- 1- Sklopite krovčić. (26)
  - 2- Pritisnite tipku za oslobađanje radi preklapanja (27)-1 na sredini tipke za podešavanje nagiba i zatim stisnite tipku za podešavanje nagiba (27)-2.
  - 3- Sklopite sjedalicu. (28)
  - 4- Povucite traku za sklapanje sjedalice kako biste preklapili kolica. (29)
  - 5- Kolica sa sjedalicom okrenutom u smjeru vožnje mogu stajati oslonjena na kotače, a sa sjedalicom okrenutom suprotno od smjera vožnje mogu stajati oslonjena na ručku i stražnje kotače. (30)
  - 6- Pritisnite tipke za preklapanje nosača sjedalice. (31)
  - 7- Sklopite kolica. (32)
- ! Dječja kolica bez sjedalice mogu stajati na ručki i prednjim kotačima.

## Umetak

- 1- Za postavljanje umetka postavite ga preko sjedala i provucite opremu za učvršćivanje ramena, struka i pričvršnog remena kroz odgovarajuće utore. (33)

## Dodatna oprema

! Na nekim modelima nije uključena sva dodatna oprema.

## Adapteri za postavljanje

Za pričvršćivanje i korištenje Nuna nosiljke za bebe i TRIV nosiljke pogledajte priručnik za upotrebu nosiljke za bebe i nosiljke.

- 1- Za pričvršćivanje adaptera za postavljanje postavite adaptere na nosače sjedalice. Zvuk „klik“ znači da su adapteri za postavljanje pričvršćeni. (34)(35)
  - 2- Za pričvršćivanje nosiljke za bebe postavite je na adaptere za postavljanje. Zvuk „klik“ znači da je nosiljka za bebe pričvršćena. (36)
  - 3- Za privršćivanje nosiljke postavite je na adaptere za postavljanje. Zvuk „klik“ znači da je nosiljka pričvršćena. (37)
  - 4- Kut nosiljke za bebicu i košare za bebicu mogu se prilagoditi našim podesivim adapterima. (38)
  - 5- Kad se koristi okrenuta suprotno od smjera vožnje, slova na adapterima za postavljanje isti su kao oni na plastici okvira. (39)
  - 6- Kad se koristi okrenuta u smjeru vožnje, slova na adapterima za postavljanje suprotna su od onih na plastici okvira. (40)
  - 7- Za skidanje nosiljke za bebe pritisnite tipku za oslobađanje na nosiljci za bebe (41)-1 i podignite je (41)-2.
  - 8- Za skidanje nosiljke pritisnite tipke za oslobađanje na obje strane nosiljke bebe (42)-1 i podignite je (42)-2.
  - 9- Za skidanje adaptera za postavljanje, povucite tipke za oslobađanje adaptera (43)-1 i podignite prema gore (43)-2.
- ! Skinite nosiljku za bebe ili nosiljku prije sklapanja.

## Sklapanje kolica s adapterima za postavljanje

Prije preklapanja dječjih kolica s adapterima za postavljanje, namjestite ručku na najniži položaj, a preporučuje se i primijeniti prednje blokade okretanja.

- 1- Povucite traku za sklapanje adaptera za postavljanje kako biste preklapili kolica. (44)
- ! Dječja kolica s adapterima položaja mogu stajati na ručki i prednjim kotačima.

## TRIV Pokrov za zaštitu od kiše

Prije postavljanje pokrova za zaštitu od kiše provjerite je li krovčić potpuno otvoren.

- 1- Za postavljanje pokrova za zaštitu od kiše, stavite ga preko kolica. (45)

! UVIJEK provjerite ima li dovoljno zraka i prozračivanja kad je na kolica postavljen pokrov za zaštitu od kiše.

UVIJEK prije preklapanja provjerite je li pokrov za zaštitu od kiše čist i suh.

NE preklapajte kolica dok je postavljen pokrov za zaštitu od kiše.

NE stavljajte dijete u kolica na kojima je postavljen pokrov za zaštitu od kiše tijekom vrućeg vremena.

## Skidanje i postavljanje obloga

Za odvajanje mekih obloga sjedala slijedite korake (46) - (59) kako je prikazano, a za ponovno postavljanje mekih obloga sjedala slijedite korake obrnutim redoslijedom.

## Čišćenje i održavanje

Očistite okvir, plastične dijelove i tkaninu vlažnom krpom, ali nemojte koristiti abrazivna sredstva ili izbjeljivač. Ne koristite silikonska sredstva za podmazivanja jer će privlačiti prljavštinu i prašinu. Ne spremajte kolica na vlažno mjesto.

Kotače kolica redovito čistite vodom i skidajte prljavštinu.

Kako biste osigurali dugotrajnu uporabu proizvoda nakon korištenja po kišnom vremenu obrišite ih mekanom, upijajućom krpom.

Pogledajte upute za pranje i sušenje na naljepnicama pričvršćenim na obloge.

Normalno je da nakon duljeg normalnog korištenja tkanina promijeni boju zbog sunčeve svjetlosti te da pokazuje znakova trošenja i habanja.

Radi sigurnosti koristite isključivo originalne Nuna dijelove.

Redovito provjeravajte djeluje li sve pravilno. Ako je bilo koji dio istrošen, slomljen ili nedostaje prestanite koristiti ovaj proizvod.



# POMEMBNO! NATANČNO PREBERITE IN SHRANITE ZA POZNEJŠO UPORABO

## Informacije o izdelku

Številka modela: \_\_\_\_\_

Datum izdelave: \_\_\_\_\_

### Garancija

Naše visokokakovostne izdelke smo namenoma oblikovali tako, da lahko rastejo skupaj z vašim otrokom in vašo družino. Ker zagotavljamo kakovost naših izdelkov, krije našo opremo od dneva nakupa garancija, ki je narejena po meri za vsak izdelek. Ko stopite v stik z nami, imejte pri roki potrdilo o nakupu, številko modela datum izdelave.

Podatke o garanciji najdete na:

[www.nunababy.com](http://www.nunababy.com)

Na začetni strani kliknite povezavo „Garancija“.

### Kontakt

Za vprašanja o nadomestnih delih in servisu ali za dodatna vprašanja o garanciji stopite v stik z oddelkom za stike s strankami.

[info@nunababy.com](mailto:info@nunababy.com)

[www.nunababy.com](http://www.nunababy.com)

## Zahteve glede uporabe

Ta otroški voziček je primeren za uporabo z otroki, ki izpolnjujejo naslednje zahteve:

Od rojstva do teže 22 kg oziroma 4 let, kar nastopi prej

Kadar okvir vozička uporabljate s košaro ali lupinico Nuna, glejte zahteve pri uporabi za otroke v zadevnih navodilih za uporabo.

## ⚠ OPOZORILO

**Neupoštevanje teh opozoril in navodil lahko uporabniku, zlasti otrokom, povzroči hude telesne poškodbe ali smrt.**

Vedno uporabljajte sistem držal.

Pred uporabo preverite, ali so košara, sedež ali držala sedežne enote pravilno aktivirani.

**NE** dovolite, da bi se otrok igral z izdelkom.

Pred uporabo preverite, ali so vsi zapahi aktivirani.

Otroka nikoli ne puščajte nenadzorovanega.

Ta izdelek ni primeren za tek ali rolanje.

Da preprečite poškodbe, pazite, da pri odpiranju in zlaganju izdelka otrok ne bo v bližini.

Dodatki, ki niso odobreni s strani proizvajalca, se ne smejo uporabljati. Uporabljajo se lahko samo nadomestni deli, ki jih dobavi ali priporoči proizvajalec/distributer.

Izdelek naj sestavi odrasla oseba.

**VEDNO** nastavite parkirno zavoro, ko se ustavite.

Poškodb, ki jih povzroči uporaba dodatkov, ki jih ni dobavilo podjetje Nuna, garancija ne krije.

Kakršnakoli obremenitev, ki je pritrjena na ročaj in/ali na hrbtno stran naslonjala in/ali ob strani vozička, bo vplivala na stabilnost vozička.

Prepričajte se, da je voziček v celoti odprt in zapahnen, preden otrok pride v bližino vozička.

**NE** prevažajte dodatnih otrok, produktov, dodatkov v ali na vozičku, razen tistih, ki so dovoljene, kar je razvidno iz tega priročnika. Lahko povzročijo nestabilnost vozička.

**NE** pustite vozička v bližini močnega vira toplote, npr. radiatorja ali odprtega ognja.

**NE** odlagajte nobenih predmetov na stehico vozička.

**NE** shranjujte vozička v vlažnem prostoru. Vedno pustite, da se blago posuši na zraku in je oddaljeno od neposrednega vira toplote.

**NE** uporabljajte košare za shranjevanje kot nosilke za otoka.

**NE** uporabljajte vozička, če je katerikoli del poškodovan ali manjka.

Ta voziček ne nadomešča otroške posteljice v primeru uporabe avtomobilske lupinice, ki se jo pritrji na podvozje vozička. Če vaš otrok potrebuje spanec, ga namestite v primeren voziček ali posteljo.

Majhne dele hranite proč od otrok, saj obstaja nevarnost zadušitve.

Preko robnikov in grobih površin vozite previdno. Ponavljajoči se udarci lahko poškodujejo voziček.

**NIKOLI** ne dovolite otrokom, da bi na vozičku stali.

**NIKOLI** v vozičku ne prevažajte več kot enega otroka.

**NIKOLI** ne uporabljajte vozička na stopnicah ali tekočih stopnicah. V nasprotnem primeru lahko izgubite nadzor nad vozičkom ali pa vaš otrok lahko pade iz vozička.

Varnostni pas mora biti vedno pravilno nameščen in nastavljen. Varnostni pas ne nadomešča ustreznega nadzora odrasle osebe.

Pri polaganju otroka v in odstranjevanju otroka, mora biti varnostna zavora nameščena.

Preobremenitev, nepravilno zlaganje in uporaba dodatkov, npr. avtomobilske lupinice, kljuke za torbe, pokrivala za dež, otroške deske (t.i. buggy board) itd., razen tistih, ki jih je odobrilo podjetje Nuna, lahko poškodujejo voziček ali voziček zaradi njihove uporabe ni več varen.

Gumijaste pnevmatike lahko na gladkih površinah, kot so parket, laminat in linolej, pustijo črne sledi.

**NEVARNOST DAVLJENJA** Ne postavljajte predmetov z vrvico okoli otrokovega vratu, ne nameščajte vrvic na ta izdelek ali na igrače.

Da bi se izognili nevarnosti zadušitve, pred uporabo tega izdelka odstranite vso plastično embalažo in jo uničite ali odstranite proč od dosega dojenčkov in otrok!

Da bi preprečili nevarno nestabilnost vozička, v košaro za shranjevanje ne naložite več kot 4,5 kg in v žep za shranjevanje ne več kot 0,45 kg.

UPORABITE najbolj ležeč položaj, če prevažate novorojenčka.

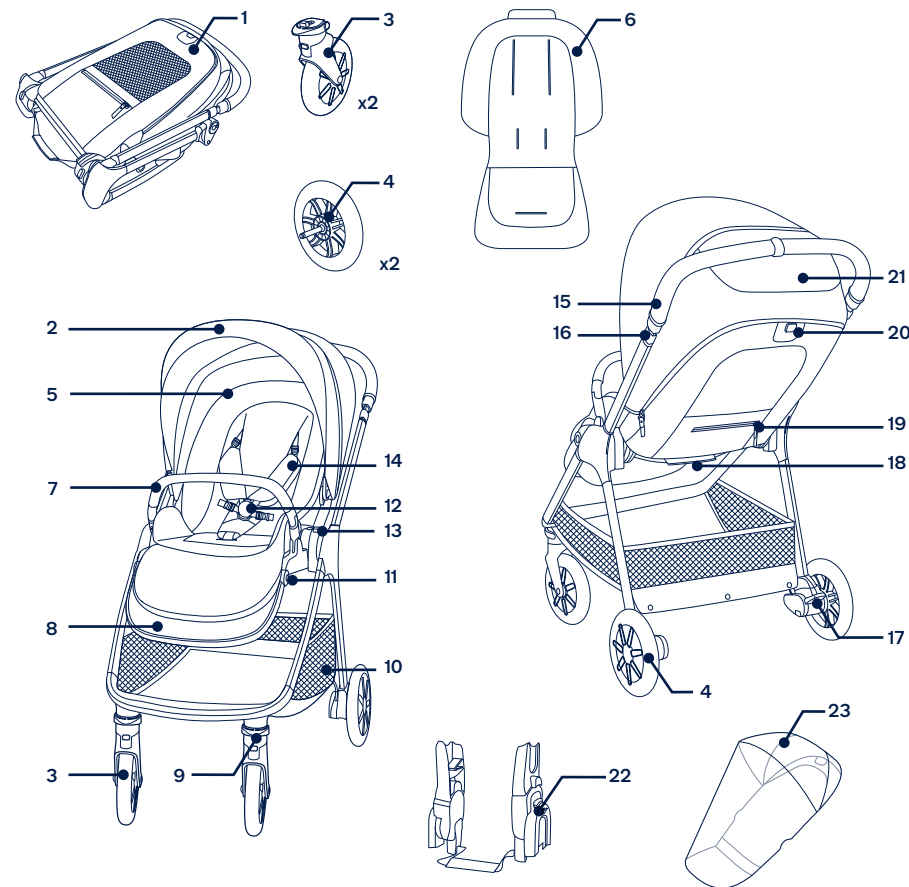
Voziček lahko uporabljate za otroka, ki je lažji od 22 kg. Če je otrok težji, se voziček poškoduje.

## Seznam delov

Pred montažo preverite, ali so na voljo vsi sestavni deli.

Če kateri koli del manjka, se obrnite na lokalnega prodajalca. Za sestavljanje orodje ni potrebno.

- |    |                                  |    |  |
|----|----------------------------------|----|--|
| 1  | Ogrodje vozička                  | 13 | Gumb za sprostitve sedeža                            |
| 2  | Strehica                         | 14 | Blazinica za ramenski varnostni pas                  |
| 3  | Prednja kolesa (2x)              | 15 | Ročaj  |
| 4  | Zadnja kolesa (2x)               | 16 | Gumb za nastavitev ročaja                            |
| 5  | Blazina sedala                   | 17 | Zavorna ročica                                       |
| 6  | Vstavek                          | 18 | Zložljiva tkanina                                    |
| 7  | Naslonjalo za roke               | 19 | Žep za shranjevanje (največja obremenitev = 0,45 kg) |
| 8  | Podpora meč                      | 20 | Gumb za nastavitev naklona/tipka za sprostitve       |
| 9  | Zaklep vrtenja                   | 21 | Okence na stehici otroškega vozička                  |
| 10 | Košara za shranjevanje           | 22 | Adapterji za namestitev globoke košare ali lupinice  |
| 11 | Gumb za prilagoditev podpore meč | 23 | Dežno pokrivalo                                      |



## Namestitev izdelka

### Odpiranje otroškega vozička

- 1 - Izvlecite ogrodje vozička. (1)
- 2 - Da odprete okvir vozička, obrnite ročaj navzgor. (2)
- 3 - Potegnite sedež, da ga odprete. (3)  
Ko zaslišite »klik«, je sedež odprt.  
Pred nadaljevanjem preverite, da je voziček popolnoma odprt.

### Obračanje sedeža

Če je to potrebno, lahko lupinico obrnete.

- 1 - Pritisnite gumb za sprostitve lupinice (4)-1 in jo dvignite (4)-2.
- 2 - Obrnite lupinico in jo pritrdite na okvir. (5)  
Ko zaslišite »klik«, je lupinica pravilno pritrjena.

### Sprednja kolesa

- 1 - Vstavite prednje kolo v prednji nosilec. (6)  
Ko zaslišite »klik«, je prednje kolo pravilno pritrjeno.  
Preverite, ali je kolo trdno pritrjeno, tako, da ga poskusite izvleči. Ponovite na nasprotni strani.
- 2 - Za odstranitev prednjega kolesa, pritisnite gumb za sprostitve (7)-1 in snemite zadnje kolo z zadnjega nosilca (7)-2.

### Zadnja kolesa

- 1 - Vstavite zadnje kolo v zadnji nosilec. (8)  
Ko zaslišite »klik«, je zadnje kolo pravilno pritrjeno.  
Preverite, ali je kolo trdno pritrjeno, tako, da ga poskusite izvleči. Ponovite na nasprotni strani.
- 2 - Za odstranitev zadnjega kolesa pritisnite gumb za sprostitve (9)-1 in snemite zadnje kolo z zadnjega nosilca (9)-2.

### Naslonjalo za roke

- ! Otroka vedno zaščitite z varnostnim pasom. Naslonjalo za roke ni naprava za zaščito otroka.
- 1 - Poravnajte konce naslonjala za roke z nosilcem naslonjala za roke in ga vstavite, dokler se ne zaskoči. (10)  
Ko zaslišite »klik«, je nosilec za roke pravilno pritrjen.
  - 2 - Za odstranitev naslonjala za roke, pritisnite gumbe za sprostitve naslonjala za roke (11)-1 in odstranite naslonjalo (11)-2.

### Preverjanje namestitev

- Okvir vozička je odprt
- Sedalo vozička je varno pritrjeno
- Zadnja in prednja kolesa so varno pritrjena
- Naslonjalo za roke je varno pritrjeno

## Uporaba izdelka

### Zavarovanje vašega otroka

- 1 - Pritisnite zgornji gumb na zaponki (12)-1, da sprostite zaklep zaponke in odstranite magnetne sponke (12)-2. Otroka namestite v otroški voziček.
- 2 - Magnetne sponke vstavite v zaponko. (13)
- 3 - Pas otroku namestite tako, da nastavitvene trakove povlečete in zategnete toliko, da se mu tesno prilagajo (14)-1. Nato povlecite trakove za nastavitev pasu navzven (14)-2.

### Položaj ramenskega pasu

- 1 - Zaponke ramenskega varnostnega pasu lahko za dodatno nastavitev premikate gor in dol. (15)

! Da bi se izognili resnim poškodbam zaradi padca ali zdrsa, otroka vedno pritrdite z varnostnim pasom.

Prepričajte se, da je pas pravilno nastavljen in da je vaš otrok dobro zavarovan. Med otrokom in ramenskim pasom mora biti približno za debelino enega prsta prostora.

NE križajte ramenskih pasov. To namreč povzroči pritisk na otrokov vrat.

### Strehica

- 1 - Če želite odpreti strehico, jo potegnite proti sprednjemu delu sedeža in potegnite nazaj, da bi jo zložili. (16)
- 2 - Odpnite zadrgo na strehici za dodatno senco. (17)
- 3 - Za dodatno prezračevanje, obrnite zaščito proti vetru navzgor. (18)

### Naklon

Naslonjalo lahko nastavite v 4 različne položaje naklona.

- 1 - Za dvig ali spust naslonjala, stisnite gumb za nastavitev naklona (19)-1 in naslonjalo potegnite navzgor ali navzdol (19)-2.

! NE pritiskajte gumba (19)-3 na sredini gumba za nastavljanje naklona, medtem ko nastavljate naklon. Prepričajte se, da je naklon pravilno nastavljen glede na način uporabe.

### Podpora meč

Podpora za meča omogoča 2 položaja uporabe.

- 1 - Če želite dvigniti podporo za meča, jo dvignite.
- 2 - Če želite spustiti podporo za meča, pritisnite gumb za nastavitev (20)-1 in podporo potisnite navzdol (20)-2.

### Ročaj

Ročaj omogoča 5 položajev nastavitve.

- 1 - Za nastavitev višine ročaja, potegnite gumb za nastavitev ročaja (21)-1 in potegnite ročaj gor ali dol (21)-2.

### Zavora

- 1 - Za zaklep zadnjih koles spustite zavorno ročico. (22)
- 2 - Za odklep zadnjih koles dvignite zavorno ročico. (23)

! Ko voziček stoji na mestu, naj bo zavorna ročica vedno spuščena. Voziček rahlo potisnite, da se prepričate, da so kolesa zaklenjena.

### Zaklep vrtenja sprednjih koles

Na neravnih površinah priporočamo uporabo zaklepa vrtenja sprednjih koles.

- 1 - Povlecite sprednji zaklep vrtenja navzgor, da blokirate sprednje kolo. (24)
- 2 - Potisnite sprednji zaklep vrtenja navzdol, da kolesa odblokirate. (25)

### Zlaganje

Voziček je mogoče zložiti s sedežem, obrnjenim naprej, s sedežem, obrnjenim nazaj, ali brez sedeža. Pred zlaganjem vozička nastavite ročaj v najnižji položaj in se prepričajte, da je zaklep sprednjih koles odklenjen.

- 1 - Zložite strehico. (26)
  - 2 - Pritisnite gumb za zlaganje vozička (27)-1, ki se nahaja na sredini gumba za nastavitev nagiba in nato pritisnite gumb za nastavitev nagiba (27)-2.
  - 3 - Zložite sedalo. (28)
  - 4 - Potegnite zložljivo tkanino sedeža, da zložite voziček. (29)
  - 5 - Voziček s sedežem, obrnjenim naprej, lahko stoji na kolesih in s sedežem, obrnjenim nazaj, lahko stoji na ročaju in zadnjih kolesih. (30)
  - 6 - Pritisnite gumbe za zlaganje na nastavkih sedeža. (31)
  - 7 - Zložite voziček. (32)
- ! Voziček brez sedeža lahko stoji na ročaju in sprednjih kolesih.

### Vstavek

- 1 - Če želite sestaviti vstavek, slednjega namestite prek sedeža ter ramenski pas in pas, ki poteka prek mednožja, speljite skozi ustrezne odprtine. (33)

## Dodatki

! Nekateri modeli nimajo vključenih vseh dodatkov.

### Adapterji za globoko košaro in lupinico

Za uporabo lupinice Nuna in montaži in uporabi globoke košare TRIV, si oglejte navodila za uporabo vozička in globoke košare za dojenčke.

- 1 - Če želite pritrditi adapterje za globoko košaro in lupinico, jih namestite na adapterje ogrodja vozička. Ko zaslišite »klik«, so adapterji pravilno pritrjeni. (34)(35)
  - 2 - Če želite pritrditi lupinico, jo namestite na adapterje za globoko košaro in lupinico. Ko zaslišite »klik«, je lupinica pravilno pritrjena. (36)
  - 3 - Če želite pritrditi globoko košaro, jo namestite na adapterje za globoko košaro in lupinico. Ko zaslišite »klik«, je globoka košara pravilno pritrjena. (37)
  - 4 - Kota otroškega sedeža in košare ni mogoče spreminjati brez nastavljivega adapterja. (38)
  - 5 - Če se uporablja tako, da je sedež obrnjen nazaj, so črke na adapterjih enake črkam na plastičnem okvirju. (39)
  - 6 - Če se uporablja tako, da je sedež obrnjen naprej, so črke na adapterjih nasprotno črkam na plastičnem okvirju. (40)
  - 7 - Za odstranitev lupinice, potisnite gumbe za sprostitve na lupinici (41)-1 in jo dvignite (41)-2.
  - 8 - Za odstranitev globoke košare, potisnite gumbe za sprostitve ob straneh globoke košare (42)-1 in jo dvignite (42)-2.
  - 9 - Za odstranitev adapterjev, potegnite gumbe za sprostitve adapterja (43)-1 in adapterje odstranite (43)-2.
- ! Pred zlaganjem odstranite lupinico in globoko košaro.

### Ob zlaganju, adapterjev za globoko košaro in lupinico ni potrebno odstraniti

Pred zlaganjem vozička z zadnjimi adapterji za sedež ročaj nastavite na najnižjo višino in se prepričajte, da so sprednja vrtljiva kolesa blokirana.

- 1 - Potegnite zložljivo tkanino adapterjev za globoko košaro in lupinico, da zložite voziček. (44)
- ! Voziček s sprednjim adapterjem lahko stoji na ročaju in sprednjih kolesih.

## TRIV Dežno pokrivalo

Pred nameščanjem dežnega pokrivala se prepričajte, ali je strehica popolnoma odprta.

1 - Dežno pokrivalo namestite tako, da ga raztegnete prek otroškega vozička. (45)

! Kadar je na izdelku nameščeno dežno pokrivalo, **VEDNO** preverite prezračevanje.

Pred shranjevanjem **VEDNO** preverite, ali je dežno pokrivalo čisto in suho.

Kadar je na vozički nameščeno dežno pokrivalo, vozička **NE** zlagajte.

V vročem vremenu otroka **NE** prevažajte v vozičku z nameščenim dežnim pokrivalom.

## Odstranitev in namestitvev mehkih delov

Da odstranite mehke dele sedeža, sledite korakom od (46) do (59), kot je prikazano. Da mehke dele znova namestite, zgornje korake opravite v obratnem vrstnem redu.

## Nega in vzdrževanje

Okvir, plastične dele in tkanino čistite z vlažno krpo, ne uporabljajte abrazivov ali belil. Ne uporabljajte silikonskih maziv, saj bodo pritegnili umazanijo. Ne shranjujte vozička v vlažnem prostoru.

Kolesa vozička redno čistite z vodo in odstranite vso morebitno umazanijo.

Da bi zagotovili dolgotrajno uporabo, po uporabi v deževnem vremenu voziček obrišite z mehko, vpojno krpo.

Navodila za pranje in sušenje so navedena na etiketi, ki je pritrjena na mehki del vozička.

Normalno je, da tkanina na sončni svetlobi posvetli in da se po dolgem času uporabe, tudi če se voziček uporablja v skladu z navodili, pokažejo sledi obrabe.

Iz varnostnih razlogov uporabljajte samo originalne dele Nuna.

Redno preverjajte, ali vse deluje pravilno. Če je katerikoli del raztrgan, zlomljen ali manjka, prenehajte z uporabo tega izdelka.

# ВАЖНО! ВНИМАТЕЛЬНО ПРОЧИТЕ И СОХРАНИТЕ НА БУДУЩЕЕ

## Информация об изделии

Номер модели: \_\_\_\_\_

Дата изготовления: \_\_\_\_\_

### Гарантия

Мы специально разрабатываем наши высококачественные изделия так, чтобы они росли вместе с вашим ребенком и вашей семьей. Мы гарантируем качество своих изделий, и поэтому на механизмы наших устройств предоставляется гарантия клиента, начиная с момента их покупки. Обращаясь к нам, предъявите кассовый чек и сообщите номер модели и дату изготовления.

Для просмотра сведений о гарантии посетите веб-сайт:

[www.nunababy.com](http://www.nunababy.com)

Щелкните ссылку "Гарантия" на главной странице.

### Контактная информация

Для получения запасных частей, услуг или дополнительных сведений о гарантии обращайтесь в наш отдел обслуживания клиентов.

[info@nunababy.com](mailto:info@nunababy.com)

[www.nunababy.com](http://www.nunababy.com)

### Рост и вес ребенка

Данная коляска предназначена для детей, соответствующих приведенным ниже требованиям.

С рождения до достижения веса в 22 кг или возраста 4 лет, в зависимости от того, что наступит ранее

При использовании рамы коляски с различными переносными люльками Nuna следует соблюдать требования к росту, весу и росту ребенка, приведенные в данной инструкции.

## ⚠ ВНИМАНИЕ!

**Несоблюдение этих предупреждений и инструкций может привести к причинению серьезного вреда здоровью ребенка или летальному исходу.**

Всегда используйте систему фиксации.

Перед использованием коляски убедитесь, что все крепежные устройства на коляске, сидении или автокресле задействованы надлежащим образом.

Не позволяйте ребенку играть с данным изделием.

Прежде чем использовать коляску, убедитесь, что задействованы все фиксаторы.

Никогда не оставляйте ребенка без присмотра.

Данное изделие не предназначено для бега или катания на роликах.

SL

RU

Во избежание причинения вреда здоровью ребенка не складывайте и не раскладывайте коляску вблизи ребенка.

Не разрешается использовать принадлежности, не одобренные изготовителем. Разрешается использовать только запасные части, поставляемые или рекомендованные изготовителем/ дистрибьютором.

Сборку должны осуществлять взрослые.

Совершая остановку, **ОБЯЗАТЕЛЬНО** задействуйте тормоз.

Гарантия не распространяется на любые повреждения, вызванные использованием принадлежностей, не поставляемых компанией Nuna.

Прикрепление любого груза к рукоятке, к спинке или боковым частям коляски приведет к нарушению ее устойчивости.

Не разрешайте ребенку подходить к коляске, если она не полностью разложена и закреплена

**ЗАПРЕЩАЕТСЯ** перевозить в коляске нескольких детей, а также дополнительные товары и принадлежности, не разрешенные в данном руководстве. Иначе коляска может потерять устойчивость.

**ЗАПРЕЩАЕТСЯ** оставлять коляску вблизи и под воздействием сильного источника тепла, например у радиатора или открытого огня.

**ЗАПРЕЩАЕТСЯ** размещать любые предметы на козырьке.

**ЗАПРЕЩАЕТСЯ** хранить коляску в сыром месте. Сушите тканевые детали естественным способом вдали от прямых солнечных лучей.

**ЗАПРЕЩАЕТСЯ** помещать ребенка в вещевую корзину.

**ЗАПРЕЩАЕТСЯ** использовать коляску, если любые из ее деталей повреждены или отсутствуют.

Автолюлька, установленная на раму данной коляски, не заменяет люльку или кроватку для новорожденных. Чтобы уложить ребенка спать, его необходимо перенести в подходящую лежачую коляску, люльку или кровать.

Храните мелкие детали в недоступном для детей месте, так как они могут стать причиной удушья.

Соблюдайте осторожность на бордюрах и неровной дороге. Многократное ударное воздействие может привести к поломке коляски.

**КАТЕГОРИЧЕСКИ ЗАПРЕЩАЕТСЯ** разрешать детям стоять в коляске.

**КАТЕГОРИЧЕСКИ ЗАПРЕЩАЕТСЯ** перевозить в коляске одновременно нескольких детей.

**КАТЕГОРИЧЕСКИ ЗАПРЕЩАЕТСЯ** использовать коляску на лестницах и эскалаторах. Вы можете внезапно утратить контроль над коляской или ваш ребенок может выпасть из нее.

Ремни должны быть правильно зафиксированы и отрегулированы. Ремни не могут служить равноценной заменой присмотру взрослых.

Перед тем как помещать ребенка в коляску или извлекать его из коляски, необходимо задействовать тормоз.

Перегрузка, неправильное сложение и использование принадлежностей, например детских сидений, крючков для сумок, дождевиков, подножек и т.п., не разрешенных компанией Nuna, могут нарушить функции коляски или сделать ее использование небезопасным.

Резиновые шины могут оставлять черные следы на гладкой поверхности, такой как паркет, ламинат и линолеум.

**ОПАСНОСТЬ УДУШЕНИЯ** Запрещается помещать предметы с лентами и веревками вокруг шеи ребенка, свешивать ленты и веревки с коляски, а также прикреплять веревки и ленты к игрушкам.

Во избежание удушья снимите все пластиковые обертки перед использованием изделия, утилизируйте их или храните вдали от младенцев и детей старшего возраста!

Во избежание опасного опрокидывания коляски не помещайте в вещевую корзину предметы весом более 4,5 кг, а в вещевой карман - более 0,45 кг.

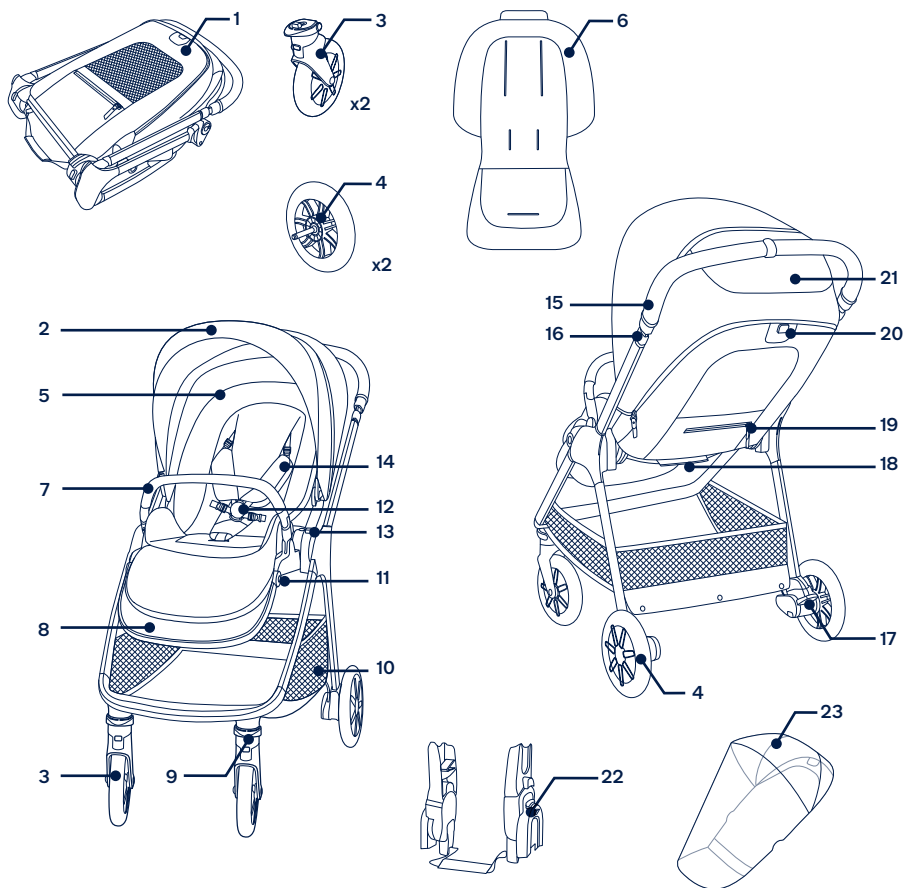
Для новорожденных рекомендуется **ИСПОЛЬЗОВАТЬ** самое нижнее положение наклона.

В коляске допускается перевозить детей весом не более 22 кг. Перевозка в коляске детей большего веса может привести к ее повреждению.

## Комплектность

Перед сборкой данного изделия проверьте наличие всех деталей. В случае отсутствия любых деталей обратитесь в магазин, где было приобретено данное изделие. Для сборки не требуются инструменты.

- |  |   |
|--|---|
| 1 Рама коляски                         | 13 Кнопка фиксатора сиденья                                     |
| 2 Козырек                              | 14 Подкладка плечевых ремней                                    |
| 3 Передние колеса (2 шт.)              | 15 Рукоятка   |
| 4 Задние колеса (2 шт.)                | 16 Кнопка регулировки рукоятки                                  |
| 5 Подкладка сиденья                    | 17 Педаль тормоза   |
| 6 Вкладыш                              | 18 Петля для складывания  |
| 7 Поручень                             | 19 Вещевой карман (максимальная нагрузка = 0,45 кг)             |
| 8 Опора для ног                        | 20 Кнопка регулировки наклона/ Кнопка фиксатора для складывания |
| 9 Фиксатор переднего колеса            | 21 Окно в козырьке  |
| 10 Вещевая корзина                     | 22 Адаптеры стойки  |
| 11 Рычаг для регулировки опоры для ног | 23 Дождевик   |
| 12 Пряжка                              |   |



## Установка изделия

### Раскладывание коляски

- 1 - Снимите коляску с рамы. (1)
- 2 - Поверните рукоятку вверх, чтобы открыть раму коляски. (2)
- 3 - Потяните за сиденье и разложите его. (3)

При полном раскладывании сиденья слышится характерный “щелчок”.

Перед продолжением убедитесь, что коляска полностью зафиксирована в разложенном состоянии.

### Поворот сиденья

При необходимости поверните сиденье.

- 1 - Нажмите на кнопку фиксатора сиденья (4)-1 и поднимите сиденье вверх (4)-2.
- 2 - Переверните сиденье и прикрепите его к раме. (5)

При полной фиксации сиденья слышится характерный “щелчок”.

### Передние колеса

- 1 - Прикрепите переднее колесо к передней ножке. (6)

При полной сборке переднего колеса слышится характерный “щелчок”.

Потяните за колесо, чтобы проверить надежность его крепления. Повторите эту операцию с противоположной стороны.

- 2 - Чтобы снять переднее колесо, нажмите на кнопку фиксатора (7)-1 и отсоедините переднее колесо от передней ножки (7)-2.

### Задние колеса

- 1 - Прикрепите заднее колесо к задней ножке. (8)

При полной сборке заднего колеса слышится характерный “щелчок”.

Потяните за колесо, чтобы проверить надежность его крепления. Повторите эту операцию с противоположной стороны.

- 2 - Чтобы снять заднее колесо, нажмите на кнопку фиксатора (9)-1 и отсоедините заднее колесо от задней ножки (9)-2.

### Поручень

- ! Обязательно пристегивайте ребенка ремнем. Поручень не является удерживающим устройством.

- 1 - Совместите края поручня с соответствующими креплениями и вставьте поручень до щелчка. (10)

При полной сборке поручня слышится характерный “щелчок”.

- 2 - Чтобы снять поручень, нажмите на кнопки фиксаторов поручня (11)-1 и отсоедините поручень (11)-2.

### Проверка установки

- Рама коляски находится в разложенном состоянии
- Сиденье коляски надежно прикреплено
- Задние и передние колеса надежно прикреплены
- Поручень надежно прикреплен

## Эксплуатация изделия

### Фиксация ребенка

- 1 - Нажмите на верхнюю кнопку пряжки (12)-1, чтобы расстегнуть ее, и извлеките магнитные фиксаторы (12)-2. Поместите ребенка в коляску.
- 2 - Вставьте магнитные фиксаторы в пряжку. (13)
- 3 - Зафиксируйте ребенка ремнями. Для этого затяните их с помощью регулировочных ремешков (14)-1. Затем вытяните поясные регулировочные ремни (14)-2.

### Подкладка плечевых ремней

- 1 - Верхние пряжки на плечевых ремнях сдвигаются вверх и вниз для дополнительной регулировки. (15)

! Во избежание причинения тяжкого вреда здоровью ребенка в результате падения или выскальзывания из коляски обязательно пристегивайте ребенка ремнем.

Убедитесь, что ремни хорошо отрегулированы, а ребенок надежно зафиксирован. Расстояние между телом ребенка и плечевыми ремнями должно составлять примерно толщину одного пальца.

**ЗАПРЕЩАЕТСЯ** перекрещивать плечевые ремни. Это приведет к сдавливанию шеи ребенка.

### Козырек

- 1 - Чтобы раскрыть козырек, потяните его вперед, а чтобы сложить - потяните назад. (16)
- 2 - Чтобы увеличить защиту от солнца, расстегните застежку-молнию на козырьке. (17)
- 3 - Для дополнительной вентиляции откройте окно в козырьке. (18)

## Наклон

Спинку можно установить в 4 положениях наклона.

- 1 - Чтобы поднять или опустить спинку, сожмите кнопку регулировки наклона (19)-1 и поднимите или опустите спинку (19)-2.

! Не нажимайте на кнопку (19)-3 в центре рукоятки регулировки наклона, регулируя угол наклона. Установите подходящий для использования наклон спинки.

## Опора для ног

Опору для ног можно установить в 2 положениях.

- 1 - Чтобы поднять опору для ног, выберите верхнее положение.
- 2 - Чтобы опустить опору для ног, нажмите на кнопку регулировки (20)-1 и выберите нижнее положение (20)-2.

## Рукоятка

Рукоятка имеет 5 положений.

- 1 - Чтобы отрегулировать высоту рукоятки, сожмите кнопку регулировки рукоятки (21)-1 и поднимите или опустите рукоятку (21)-2.

## Тормоз

- 1 - Чтобы заблокировать задние колеса, нажмите на рычаг тормоза. (22)
- 2 - Чтобы разблокировать задние колеса, поднимите рычаг тормоза. (23)

! Остановив коляску, обязательно задействуйте тормоз. Слегка подвигайте коляску, чтобы проверить, сработал ли тормоз.

## Фиксаторы передних колес

Фиксаторы передних колес рекомендуется использовать на неровных поверхностях.

- 1 - Чтобы заблокировать переднее колесо, поднимите фиксатор передних колес. (24)
- 2 - Чтобы снять блокировку, нажмите на фиксатор передних колес. (25)

## Сложение

Коляску можно сложить с сиденьем, расположенным по ходу движения или против хода движения, а также без сиденья. Перед тем, как складывать коляску, установите рукоятку в самое нижнее положение и убедитесь, что фиксаторы передних колес не заблокированы.

- 1 - Сложите козырек. (26)
- 2 - Нажмите на кнопку фиксатора для складывания (27)-1, расположенную в центре кнопки регулировки наклона, а затем сожмите кнопку регулировки наклона (27)-2.
- 3 - Сложите сиденье. (28)

- 4 - Потяните за петлю для складывания сиденья, чтобы сложить коляску. (29)

- 5 - Коляска с сиденьем, расположенным лицом по ходу движения, может опираться на колеса, а с сиденьем в режиме лицом против хода движения - на рукоятку и задние колеса. (30)

- 6 - Нажмите на кнопки складывания на креплениях сиденья. (31)

- 7 - Сложите коляску. (32)

! Коляска без сиденья может стоять на передних колесах при удерживании за рукоятку.

## Вкладыш

- 1 - Для сборки вкладыша поместите его поверх сиденья и проденьте плечевые, поясные и паховые ремни в соответствующие отверстия. (33)

## Принадлежности

! В комплект поставки некоторых моделей входят не все принадлежности.

## Адаптеры стойки

Для сборки и эксплуатации переносных люлек Nuna и TRIV см. руководства по эксплуатации к соответствующим люлькам.

- 1 - Чтобы прикрепить адаптеры стойки, вставьте их в крепления сиденья. При полной фиксации адаптеров стойки слышится характерный "щелчок". (34)(35)
- 2 - Чтобы прикрепить переносную люльку, поставьте ее на адаптеры стойки. При фиксации переносной люльки слышится характерный "щелчок". (36)
- 3 - Чтобы прикрепить переносную люльку, поставьте ее на адаптеры стойки. При фиксации переносной люльки слышится характерный "щелчок". (37)
- 4 - Угол наклона переносной автолюльки настраивается с помощью регулируемых адаптеров. (38)
- 5 - При использовании в положении лицом против направления движения буквы на адаптерах стойки соответствуют буквам на пластмассовой раме. (39)
- 6 - При использовании в положении лицом по направлению движения буквы на адаптерах стойки противоположны буквам на пластмассовой раме. (40)
- 7 - Чтобы снять переносную люльку, нажмите расположенные на ней кнопки фиксаторов (41)-1 и поднимите ее (41)-2.
- 8 - Чтобы снять переносную люльку, нажмите расположенные сбоку кнопки фиксаторов (42)-1 и поднимите ее (42)-2.
- 9 - Чтобы снять адаптеры стойки, потяните за кнопки фиксации адаптеров (43)-1 и поднимите адаптеры (43)-2.

! Перед тем, как складывать коляску, снимите переносную люльку.

## Складывание коляски с адаптерами стойки

Перед тем, как сложить коляску с адаптерами стойки, приведите рукоятку в нижнее положение и убедитесь, что фиксаторы передних колес задействованы.

- 1 - Потяните за петлю для складывания адаптеров стойки, чтобы сложить коляску. (44)

! Коляска с адаптерами стойки может стоять на передних колесах при удерживании за рукоятку.

## TRIV Дождевик

Перед тем, как прикреплять дождевик, полностью откройте козырек.

- 1 - Для сборки дождевика накройте им коляску. (45)

! **ОБЯЗАТЕЛЬНО** проверяйте вентиляцию, если изделие накрыто дождевиком.

Перед тем, как складывать дождевик, его следует **ОБЯЗАТЕЛЬНО** очистить и высушить.

**ЗАПРЕЩАЕТСЯ** складывать коляску, к которой прикреплен дождевик.

**ЗАПРЕЩАЕТСЯ** помещать ребенка в коляску, к которой прикреплен дождевик, в жаркую погоду.

## Снятие и надевание деталей из ткани

Чтобы снять тканевые детали сиденья, выполните действия (46) - (59), как показано на рисунке. Чтобы снова установить тканевые детали, выполните указанные действия в обратном порядке.

## Очистка и уход за изделием

Для очистки рамы, а также пластмассовых и тканевых деталей можно использовать влажную салфетку, но запрещается использовать абразивные средства и отбеливатели. Не используйте силиконовые смазки, так как к ним прилипает пыль и грязь. **ЗАПРЕЩАЕТСЯ** хранить коляску в сыром месте.

Регулярно мойте колеса коляски водой и очищайте коляску от грязи.

Для продления срока эксплуатации протирайте коляску мягкой впитывающей салфеткой после использования в дождливую погоду.

Инструкции по стирке и сушке содержатся на этикетке об уходе, прикрепленной к тканевым деталям.

Ткань имеет свойство выгорать на солнце и изнашиваться при длительной эксплуатации даже при соблюдении всех инструкций.

В целях безопасности рекомендуется использовать только оригинальные детали Nuna.

Регулярно проверяйте исправность всех компонентов изделия. Прекратите использовать изделие, если любая из деталей сломана, разорвана или отсутствует.

# VIKTIG! LES NØYE OG BEHOLD FOR FREMTIDIG OPPSLAG

## Produktinformasjon

Modellnummer: \_\_\_\_\_

Produksjonsdato: \_\_\_\_\_

### Garanti

Vi har med hensikt designet våre høykvalitetsprodukter slik at de kan vokse med både barnet ditt og familien din. Da vi stoler på produktet vårt, er det dekket av en tilpasset garanti avhengig av produktet, som gjelder fra og med kjøpsdato. Vi ber om at du har klart kjøpsbevis, modellnummer og produksjonsdato når du kontakter oss.

Du finner garantiinformasjon på:

[www.nunababy.com](http://www.nunababy.com)

Klikk koblingen «Garanti» på hjemmesiden.

### Kontakt

For reservedeler, service eller andre spørsmål om garantier kan du kontakte vår kundeserviceavdeling.

[info@nunababy.com](mailto:info@nunababy.com)

[www.nunababy.com](http://www.nunababy.com)

### Krav for bruk med barn

Denne barnevognen er for bruk på barn som oppfyller følgende:

Nyfødt til 22 kg eller 4 år avhengig av det som kommer først.

Når du bruker barnevognrammen med bæresengen TRIV eller spedbarnsbærere fra Nuna, må du se kravene for bruk med barn som står i disse bruksanvisningene.

## ⚠ ADVARSEL

**Dersom disse advarslene og instruksjonene ikke følges, kan det føre til alvorlig personskade eller dødsfall.**

Bruk alltid sikringsselen.

Kontroller før hver bruk at låsemekanismene for barnevognbagen eller bilsetet virker som de skal.

La ikke barnet leke med produktet.

Kontroller at alle låsemekanismer er aktivert før bruk.

Aldri etterlat barnet uten tilsyn.

Dette produktet egner seg ikke for løping eller bruk med rullestol.

For å unngå personskade, sørg for å holde barnet ditt på avstand mens du slår opp og slår sammen produktet.

Tilbehør som ikke er godkjent av produsenten, skal ikke brukes. Kun erstatningsdeler som leveres eller anbefales av produsent/distributør skal brukes.

Må settes sammen av en voksen.

Slå **ALLTID** på parkeringsbremsen når du stopper.

Eventuell skade forårsaket av bruk av tilbehør som ikke er levert av Nuna, dekkes ikke av garantivilkårene.

En belastning som er festet til håndtaket, på baksiden av ryggstøtten og/eller på sidene av vognen, vil påvirke stabiliteten.

Sørg for at barnevognen er helt oppreist og låst på plass før du lar barnet være i nærheten av barnevognen.

**IKKE** transporter flere barn, varer, tilbehør i eller på barnevognen unntatt det som er tillatt i denne bruksanvisningen. De kan gjøre barnevognen ustabil.

**IKKE** legg barnevognen der den blir utsatt for en sterk varmekilde, dvs. en radiator eller åpen ild.

**IKKE** plasser gjenstander på kalesjen.

**IKKE** oppbevar barnevognen på et fuktig sted. La alltid stoffet tørke naturlig og vekke fra direkte varme.

**IKKE** legg barn i oppbevaringskurven.

**IKKE** bruk barnevognen hvis noen deler er ødelagte eller mangler.

Bilstoler som brukes sammen med undervogn erstatter ikke en barneseng eller en seng. Dersom barnet trenger å sove, må det legges i en egnet barnevogn, barneseng eller seng.

Hold små deler borte fra barn, da de utgjør en kvelningsfare.

Vær forsiktig over fortauskanter og grovt underlag. Gjentatte slag kan skade barnevognen.

La **ALDRI** barn stå i barnevognen.

Ha **ALDRI** mer en ett barn i barnevognen av gangen.

Bruk **ALDRI** barnevognen på trapper eller rulletrapper. Du kan plutselig miste kontrollen over barnevognen, eller så kan barnet falle ut.



Selen må alltid være riktig montert og justert. Selen erstatter ikke riktig tilsyn av voksen.

Parkeringsbremsen skal være aktiv når barn settes i og tas ut.

Overbelastning, feil bretteing og bruk av tilbehør som barneseter, posekroker, regntrekk, vognbrett osv. utenom de som er godkjent av Nuna, kan skade eller gjøre barnevognen utrygg.

Gummidekk kan lage svarte merke på glatte overflater som parkett, laminat og linoleum.

**KVELNINGSFARE** Ikke plasser gjenstander med en streng rundt barnets nakke, henge strenger fra dette produktet eller feste strenger til leker.

For å unngå fare for kvelning må alt av plastomslag fjernes før produktet brukes. Det må ødelegges eller holdes unna barn.

Ikke legg mer enn 4,5 kg i oppbevaringskurven eller 0,45 kg i oppbevaringslommen for å hindre farlig ustabilitet.

BRUK den mest bakoverlente stillingen for nyfødte.

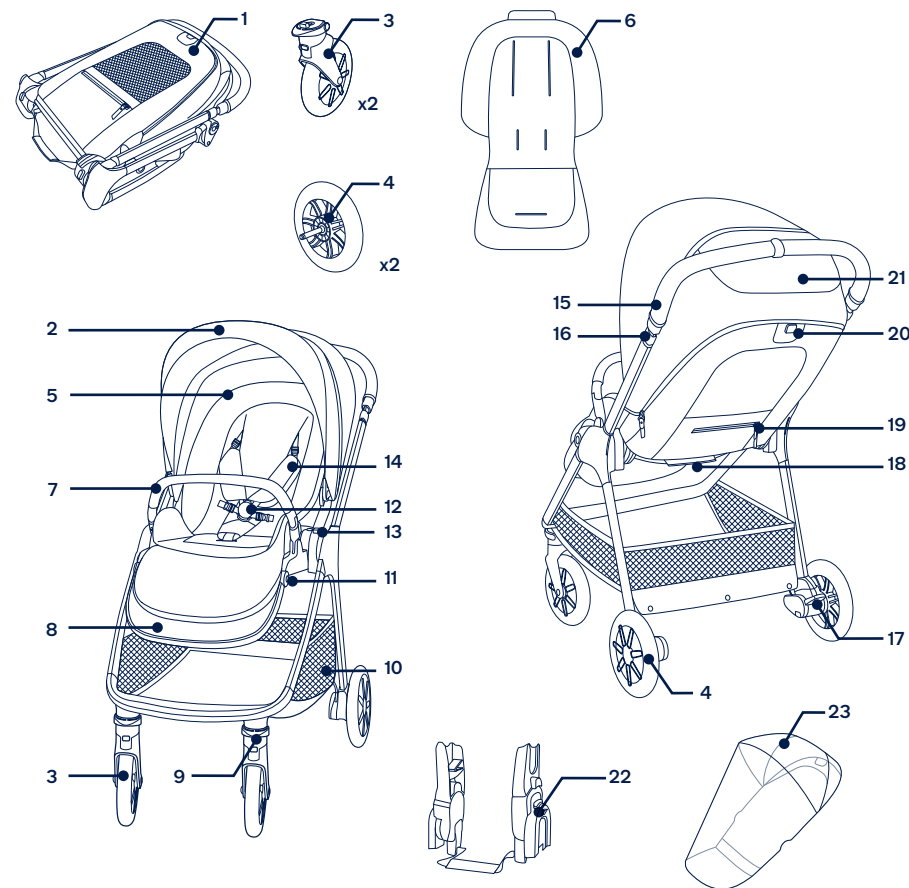
Barnevognen skal kun brukes med barn som veier under 22 kg. Barnevognen skades hvis den brukes med et barn som ikke passer. child may fall out.

## Deleliste

Påse at du har alle delene før montering.

Hvis noen del mangler, kontakter du din lokale forhandler. Det kreves ingen verktøy for montering.

- |    |                            |    |  |
|----|----------------------------|----|--|
| 1  | Barnevognramme             | 13 | Seteutløserknapp                                     |
| 2  | Kalesje                    | 14 | Skulderbelteputer                                    |
| 3  | Forhjul (x2)               | 15 | Håndtak  |
| 4  | Bakhjul (x2)               | 16 | Håndtakjusteringsknapp                               |
| 5  | Setepute                   | 17 | Bremsespak   |
| 6  | Innsats                    | 18 | Brettenetting  |
| 7  | Armstang                   | 19 | Oppbevaringslomme<br>(maksimal belastning = 0,45 kg) |
| 8  | Leggstøtte                 | 20 | Ryggjusteringsknapp/bretteutløserknapp               |
| 9  | Svinglås                   | 21 | Kalesjevindu   |
| 10 | Oppbevaringskurv           | 22 | Stolpeadaptere                                       |
| 11 | Leggstøttejusterings-knapp | 23 | Regntrekk  |
| 12 | Spenne                     |    |  |



# Produktoppsett

## Åpne barnevognen

- 1 - Ta ut barnevognrammen. (1)
- 2 - Drei håndtaket opp for å åpne barnevognrammen. (2)
- 3 - Trekk setet for å åpne det. (3)

Når du hører et «klikk», betyr det at setet er åpent.

Kontroller at barnevognen er helt låst før du fortsetter.

## Bytte sete

Bytt setet ved behov.

- 1 - Trykk seteutløserknappene(4)-1, og løft opp setet (4)-2.
- 2 - Snu setet, og fest det deretter på rammen. (5)  
Når du hører et «klikk», betyr det at setet er helt festet.

## Forhjul

- 1 - Sett forhjulet inn i forbenet. (6)  
Når du hører et «klikk», betyr det at forhjulet er ferdigmontert.  
Kontroller at hjulet er ordentlig festet ved å trekke ut. Gjenta på motsatt side.
- 2 - For å fjerne forhjulet trykker du utløserknappen (7)-1 og løsner det fra forbenet (7)-2.

## Bakhjul

- 1 - Sett bakhjulet inn i bakbenet. (8)  
Når du hører et «klikk», betyr det at bakhjulet er ferdigmontert.  
Kontroller at hjulet er ordentlig festet ved å trekke ut. Gjenta på motsatt side.
- 2 - For å fjerne bakhjulet trykker du utløserknappen (9)-1 og løsner bakhjulet fra bakbenet (9)-2.

## Armstang

- ! Barnet skal alltid sikres med selen. Armstangen er ikke et sikkerhetsfeste.
- 1 - Sett endene på armstangen på linje med festene til armstangen, og sett inn til den klikker på plass. (10)  
Når du hører et «klikk», betyr det at armstangen er ferdigmontert.
  - 2 - For å fjerne armstangen trykker du utløserknappene til armstangen (11)-1 og fjerner armstangen (11)-2

## Sjekk oppsett

- Barnevognrammen er låst opp
- Barnevognsete ordentlig festet
- Bak- og forhjulene er godt festet
- Armstangen er godt festet

# Bruke produktet

## Sikre barnet

- 1 - Trykk den øverste knappen på spennen (12)-1 for å frigjøre spennehendelen og fjerne magnetklemmene (12)-2.  
Sett barnet i barnevognen.
- 2 - Sett de magnetiske klemmene inn i spennen. (13)
- 3 - Pass selen tett mot barnet ved å trekke justeringsstroppene for å stramme (14)-1. Trekk deretter midjejusteringsstroppene ut (14)-2.

## Posisjonen til skulderbeltet

- 1 - Spennene på øvre skulderslede kan flyttes opp og ned for ekstra justering. (15)  
! For å unngå alvorlig skade fra fall eller skliing må barnet alltid sitte med sikkerhetsbeltet.  
Sørg for at beltet er riktig justert og at barnet er godt festet. Avstanden mellom barnet og skulderbeltet skal være på omtrent tykkelsen til en finger.  
IKKE kryss skulderbeltene. Det vil forårsake trykk på barnets nakke.

## Kalesje

- 1 - Åpne kalesjen ved å trekke den frem, og brett den ned ved å skyve den tilbake. (16)
- 2 - Åpne glidelåsen på kalesjen for ekstra skygge. (17)
- 3 - For mer ventilasjon kan du vippe opp kalesjedekselet. (18)

## Lene

Ryggstøtten kan lenes til 4 stillinger.

- 1 - For å heve eller senke ryggstøtten trykker du ryggjusteringsknappen (19)-1 og trekker ryggen opp eller ned (19)-2.  
! Ikke trykk knappen (19)-3 på midten av ryggjusteringsknappen når du justerer lenevinkelen. Pass på at det lenes hensiktsmessig godt bak.

## Leggstøtte

Leggstøtten kan brukes i to stillinger.

- 1 - Løft opp for å heve leggstøtten.
- 2 - For å senke leggstøtten trykker du justeringsknappene (20)-1 og trykker ned (20)-2.

## Håndtak

Håndtaket har 5 stillinger.

- 1 - For å justere høyden på håndtaket trekker du ned håndtaksjusteringsknappen (21)-1 og trekker det opp eller ned (21)-2.

## Brems

- 1 - Trykk ned på bremsespaken for å låse bakhjulene. (22)
- 2 - Løft opp bremsespaken for å låse opp bakhjulene. (23)  
! Bruk alltid bremsen når barnevognen er stoppet. Skyv vognen litt for å sørge for at bremsen er på.

## Fremre svingelåser

De fremste svingelåsene bør brukes på ujevne overflater.

- 1 - Trekk den fremre svingelåsen opp for å låse forhjulet. (24)
- 2 - Skyv den fremre svingelåsen ned for å låse opp. (25)

## Brette

Barnevognen kan brettes med fremovervendt sete eller bakovervendt sete eller uten sete. Før du bretter vognen, må du justere håndtaket til laveste stilling og sørge for at de fremre svingelåsene er låst opp.

- 1 - Brett kalesjen. (26)
- 2 - Trykk bretteutløserknappen (27)-1 på midten av ryggjusteringsknappen, og klem deretter ryggjusteringsknappen (27)-2.
- 3 - Brett setet. (28)
- 4 - Trekk i brettetnettingen på setet for å brette barnevognen. (29)
- 5 - Barnevognen med fremovervendt sete kan stå med hjulene, og med bakovervendt sete kan den stå med håndtaket og bakhjulene. (30)
- 6 - Trykk bretteknappene til setefestene. (31)
- 7 - Brett barnevognen. (32)  
! Vognen uten sete kan stå med håndtaket og forhjulene.

## Innsats

- 1 - For å sette sammen innsatsen plasserer du den over setet og trekker skulder-, midje- og skrittselene gjennom de respektive slissene. (33)

# Tilbehør

- ! Ikke alt tilbehør følger med på noen modeller.

## Stolpeadaptere

For montering og bruk av Nuna spedbarnsbærer og TRIV bæresengenhet henvises det til bruksanvisningen for spedbarnsbærer og bæreseng.

- 1 - For å feste stolpeadapterne plasserer du stolpeadapterne på setefestene. Når du hører et «klikk», betyr det at stolpeadapterne er på plass. (34)(35)
- 2 - Fest spedbarnsbæreren ved å plassere spedbarnsbærer på stolpeadapterne. Når du hører et «klikk», betyr det at spedbarnsbæreren er festet. (36)
- 3 - For å feste bæresengen plasserer du den på stolpeadapterne. Når du hører et «klikk», betyr det at bæresengen er festet. (37)
- 4 - Vinkelen på spedbarnsbæreren og bæresengen kan justeres med våre justerbare adaptere. (38)
- 5 - Ved bakovervendt bruk er bokstavene på stolpeadapterne de samme som på rammeplasten. (39)
- 6 - Ved fremovervendt bruk er bokstavene på stolpeadapterne motsatt av det som står på rammeplasten. (40)
- 7 - For å fjerne spedbarnsbæreren trykker du utløserknappene på spedbarnsbæreren (41)-1 og løfter opp (41)-2.
- 8 - For å fjerne bæreseng trykker du utløserknappene på siden av bæresengen (42)-1 og løfter opp (42)-2.
- 9 - Fjern stolpeadapterne ved å trykke adapterutløserknappene (43)-1 og løfte den opp (43)-2.  
! Fjern spedbarnsbæreren og bæresengen før du bretter dem.

## Brette barnevognen med stolpeadaptere

Før du slår sammen vognen med stolpeadaptere, bør du justere håndtaket til laveste posisjon, det anbefales at de fremre svingelåsene blir låst.

- 1 - Trekk i brettetnettingen på stolpeadapterne for å brette barnevognen. (44)  
! Vognen med stolpeadaptere kan stå med håndtaket og forhjulene.

## TRIV regntrekk

Sørg for at kalesjen er helt åpen før du fester regntrekket.

- 1 - Sett sammen regntrekket ved å plassere det over sportsvognen. (45)  
! Sjekk ALLTID ventilasjonen når regntrekket er satt på produktet.  
Sørg ALLTID for at regntrekket er rent og tørt før du bretter det sammen.  
IKKE brett sportsvognen når regntrekket er satt på.  
IKKE legg barnet i sportsvognen i varmt vær når regntrekket er satt på.

## Ta av og på de myke delene

Når du skal løsne de myke delene fra setet, følger du trinnene (46) - (59) som vist, og for å sette sammen de myke delene følger du dem i omvendt rekkefølge.

## Rengjøring og vedlikehold

Rengjør rammen, plastdelene og stoffet med en fuktig klut, men ikke bruk skuremidler eller blekemiddel. Ikke bruk silikonsmøring, da det vil tiltrekke smuss og skitt. Ikke oppbevar barnevognen på et fuktig sted.

Vognhjulene må regelmessig rengjøres med vann og all smuss fjernes.

For å sikre langvarig bruk bør barnevognen tørkes av med en myk, absorberende klut etter bruk i regnvær.

Se på vedlikeholdsetiketten som er festet på de myke delene for instruksjoner for vasking og tørking.

Det er normalt at stoffet misfarges av sollys og viser slitasje etter bruk over lang tid, selv ved normal bruk.

Av sikkerhetshensyn må du kun bruke originalreservedeler fra Nuna.

Kontroller regelmessig at alt fungerer som det skal. Hvis noen del er revnet, ødelagt eller mangler, må du slutte å bruke produktet.

# VIKTIGT! LÄS IGENOM NOGA OCH SPARA FÖR FRAMTIDA REFERENS

## Produktinformation

Modellnummer: \_\_\_\_\_

Tillverkningsdatum: \_\_\_\_\_

### Garanti

Vi har avsiktlig designat våra högkvalitativa produkter så att de kan växa med både barnet och familjen. Eftersom vi står för våra produkter täcks vår utrustning av en kundgaranti per produkt med början från inköpsdatumet. Ha inköpsbevis, modellnummer och tillverkningsdatum tillgängligt när du kontaktar oss.

För garantiinformation besök:

[www.nunababy.com](http://www.nunababy.com)

Klicka på länken "Garanti" på hemsidan.

### Kontakt

För reservdelar, service eller ytterligare garantifrågor, kontakta vår kundtjänstavdelning.

[info@nunababy.com](mailto:info@nunababy.com)

[www.nunababy.com](http://www.nunababy.com)

## Krav barnanvändning

Denna barnvagnssits är lämplig att använda för barn som uppfyller följande krav:

Nyfödd till 22 kg eller 4 år beroende på vilket som inträffar först

När sittvagnens ram används med babylift eller Nuna-bilstol för spädbarn så se reglerna för barn som finns i deras bruksanvisningar.

## ⚠ VARNING

**Underlåtenhet att följa dessa varningar och instruktioner kan resultera i allvarlig skada eller dödsfall.**

Använd alltid bältssystemet.

Kontrollera att fastsättningsanordningarna för insatsen eller sittdelen är korrekt fastsatta innan vagnen tas i bruk.

Låt inte barnet leka med denna produkt.

Se till att alla låsanordningar är spärrade innan du använder vagnen.

Lämna aldrig barnet utan uppsikt.

Denna produkt är inte lämplig för att springa eller åka inlines med.

För att undvika skada, se till att barnet är ur vägen när du faller ut och ihop denna produkt.

Accessoarer som inte är godkända av tillverkaren ska inte användas. Endast reservdelar som medföljer eller som rekommenderas av tillverkaren/distributören skall användas.

Måste monteras av vuxen.

Koppla **ALLTID** in bromsen när du stannar.

Eventuella skador som orsakas av användning av tillbehör som inte levereras av Nuna kommer inte att omfattas av garantin.

All last som fästs på handtaget och/eller ryggstödet baksida och/eller på sidorna av fordonet påverkar stabiliteten hos fordonet.

Var noga med att barnvagnen är helt uppfälld och fasthakad innan ett barn får komma i närheten av barnvagnen.

**Transportera INTE** ytterligare barn, varor eller tillbehör i denna barnvagn förutom vad som tillåts i den här broschyren. Detta kan orsaka att barnvagnen blir instabil.

**Lämna INTE** barnvagnen i närheten av starka värmekällor, t.ex. ett element eller en öppen eld.

**Placera INTE** föremål på suffletten.

**Förvara INTE** barnvagnen i fuktiga utrymmen. Tillåt alltid tyget att torka naturligt, bort från direkt värme.

**Använd INTE** förvaringskorgen för att bära barnet.

**Använd INTE** barnvagnen om någon del är skadad eller saknas.

Bilstolar som används tillsammans med chassin ersätter inte en barnsäng eller säng. Om ditt barn behöver sova ska det placeras i en lämplig liggdel, barnsäng eller säng.

Håll smådelar borta från barn eftersom de utgör en kvävningrisk.

Passera trottoarkanter och ojämn mark försiktigt. Upprepade stötar kan att skada barnvagnen.

**Låt ALDRIG** barn stå på barnvagnen.

**Ha ALDRIG** mer än ett barn i taget i den här barnvagnen.

**Använd ALDRIG** barnvagnen i trappor eller rulltrappor. Du kan plötsligt förlora kontrollen över barnvagnen och ditt barn kan falla ut.

Selen måste alltid vara korrekt fastsatt och justerad. Selen kan inte ersätta övervakning av en vuxen.

Parkeringsbromsen ska användas när barn sätts i eller tas ut.

Överbelastning, inkorrekt ihopfällning och användning av tillbehör, t.ex. barnstolar, väskkrokar, regnskydd, åkbrädor, etc... andra än de som är godkända av Nuna, kan skada eller göra denna barnvagn osäker.

Gummidäck kan lämna svarta märken på mjuka ytor såsom parkett, laminat och linoleum.

**STRYPNINGSRISK** placera **INTE** föremål med snöre runt barnets hals, häng eller fäst inga snören från denna produkt eller på leksaker.

För att undvika varje risk för kvävning, ta bort all täckplast innan du använder den här produkten och förstör det eller håll det borta från spädbarn och barn!

För att förhindra farliga, instabila förhållanden, placera inte mer än 4.5 kg i förvaringskorgen och mer än 0,45 kg i förvaringsfickan.

**ANVÄND** den mest tillbakalutade positionen för nyfödda baby.

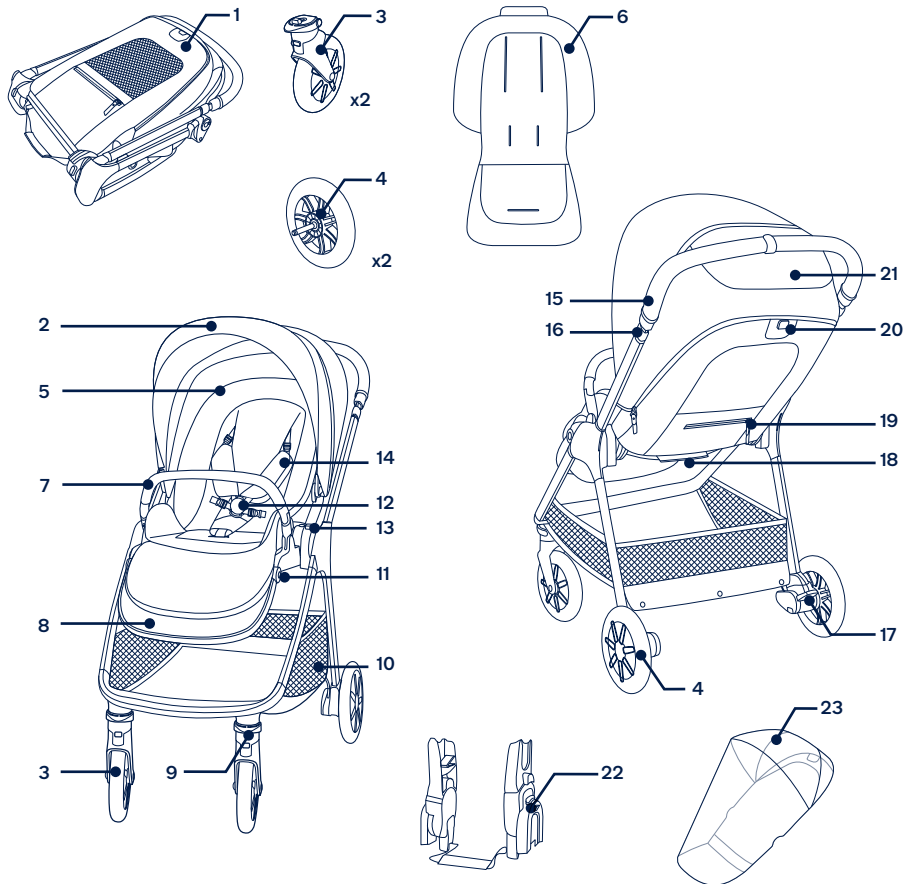
Sittvagnen får inte användas med ett barn som väger mer än 22 kg. Det skadar sittvagnen om barnet inte passar i den.

## Lista över delar

Kontrollera att alla delar är tillgängliga före montering.

Om någon del saknas, kontakta återförsäljaren. Inga verktyg behövs för montering.

1	Sittvagnens ram	13	Låsknapp sittdel
2	Sufflett	14	Axelremsstoppning
3	Framhjul (x2)	15	Handtag
4	Bakhjul (x2)	16	Justeringsknapp för handtag
5	Sittdyna	17	Bromsspak
6	Insats	18	Ihopfällningsband
7	Armstöd	19	Förvaringsficka (maximal belastning = 0,45 kg)
8	Benstöd	20	Inställningsknapp för lutning/låsknapp för ihopfällning
9	Riktningsslås	21	Sufflettöfönster
10	Förvaringskorg	22	Adaptrar
11	Justeringsknapp för stöd för vaden	23	Regnskydd
12	Bälte		



## Produktinställning

### Öppna sittvagnen

- 1- Ta ut barnvagnsramen. (1)
- 2- Vrid handtaget uppåt för att öppna sittvagnens ram. (2)
- 3- Dra i sitsen för att öppna den. (3)

Ett "klickljud" betyder att sätet är öppet.

Kontrollera att sittvagnen är helt uppställd innan du fortsätter.

### Byta riktning på sittdel

Byt riktning på sittdelen om så behövs.

- 1- Tryck på sittdelens låsknapp (4)-1 och lyft upp sittdelen (4)-2.
  - 2- Vänd på sittdelen och fäst den sedan i ramen. (5)
- Ett "klickljud" betyder att sittdelen är helt fastsatt.

### Framhjul

- 1- Sätt in framhjulet i det främre benet. (6)

Ett "klickljud" betyder att främre hjulet är helt fastsatt.

Kontrollera att hjulet sitter fast ordentligt genom att dra utåt. Upprepa på den andra sidan.

- 2- För att ta bort det främre hjulet, tryck på låsknappen (7)-1 och lossa det främre hjulet från det främre benet (7)-2.

### Bakhjulen

- 1- Sätt in det bakre hjulet i det bakre benet. (8)

Ett "klickljud" betyder att bakre hjulet är helt fastsatt.

Kontrollera att hjulet sitter fast ordentligt genom att dra utåt. Upprepa på den andra sidan.

- 2- För att ta bort det bakre hjulet, tryck på låsknappen (9)-1 och lossa det bakre hjulet från det bakre benet (9)-2.

### Armstöd

! Sätt alltid fast barnet med selen. Armstödet är inte en fästenhet.

- 1- Rikta in armstödet mot armstödet monteringshål och för in tills det klickar på plats. (10)

Ett "klickljud" betyder att armstödet är helt fastsatt.

- 2- För att ta bort armstödet, tryck på armstödet låsknappar (11)-1 och ta bort armstödet (11)-2.

### Kontrollera inställningen

- Barnvagnens ram är öppen och fasthakad
- Barnvagnens sittdel sitter säkert fast
- Bakre och främre hjulen sitter säkert fast
- Armstödet sitter säkert fast

## Produktanvändning

### Spänna fast barnet

- 1- Tryck på översta knappen på spännet (12)-1 för att öppna spännet och ta bort den magnetiska klämman (12)-2. Placera ditt barn i sittvagnen.
- 2- För in den magnetiska klämman i spännet. (13)
- 3- Passa in selen snävt mot ditt barn genom att dra i justeringsremmarna för att dra åt (14)-1. Dra sedan ut midjeremmen (14)-2.

### Axelbältets position

- 1- Övre axelselens spänne kan flyttas upp eller ned för extra justering. (15)

! För att undvika allvarliga skador, från att barnet faller eller glider ur, ska barnet alltid sättas fast med selen.

Se till att selen är korrekt inställd och att ditt barn sitter bekvämt fastsatt. Utrymmet mellan barnet och axelselen ska vara ungefär som tjockleken på ett finger.

Korsa INTE axelremmarna. Det skapar ett tryck på barnets hals.

### Sufflett

- 1- För att öppna suffletten, dra suffletten mot framsidan på sitt delen och för att vika undan den, skjut den bakåt. (16)
- 2- Öppna dragkedjan på suffletten för extra skugga. (17)
- 3- För extra ventilation, vippa upp sufflettens öfönster uppåt. (18)

### Lutning

Det finns 4 lutningsvinklar för ryggstödet.

- 1- För att höja eller sänka ryggstödet, tryck in justeringsknappen för lutningen (19)-1 och dra ryggstödet uppåt eller nedåt (19)-2.

! Tryck inte på knappen (19)-3 på mitten av justeringsknappen när vinkeln för lutningen justeras. Kontrollera att lutningen är ordentligt justerad för användningen.

## Benstöd

Benstödet har 2 användarlägen.

- 1 För att höja benstödet, lyft det uppåt.
- 2 För att sänka ryggstödet trycker på justeringsknappen (20)-1 och skjut ned (20)-2.

## Handtag

Handtaget har 5 lägen.

- 1 - För att justera höjden för handtaget dra handtagets justeringsknapp (21)-1 och dra handtaget upp eller ned (21)-2.

## Broms

- 1 - För att låsa de bakre hjulen, trampa ned bromsspaken. (22)
- 2 - För att låsa upp de bakre hjulen, lyft upp bromsspaken. (23)

! Använd alltid bromsen när barnvagnen stoppats. Skjut lätt på barnvagnen för att kontrollera att bromsen är aktiverad.

## Främre riktningsslås

Det är att rekommendera att använda främre riktningsslåset på ojämna ytor.

- 1 - Dra främre riktningsslåset uppåt för att låsa det främre hjulet. (24)
- 2 - Skjut främre riktningsslåset ned för att låsa upp. (25)

## Vika ihop

Barnvagnen kan vikas ihop med sittdelen riktad framåt eller riktad bakåt eller utan sittdel. Innan barnvagnen viks ihop, justera handtaget till den lägsta positionen och se till att främre riktningsslåset är upplåst.

- 1 - Vika ihop suffletten. (26)
- 2 - Tryck på låsknappen för ihopvikning (27)-1 på mitten av justeringsknappen för lutningen och tryck sedan på justeringsknappen för lutningen (27)-2.
- 3 - Vika ihop sittdelen. (28)
- 4 - Dra i bandet för sittdelen för att vika ihop barnvagnen. (29)
- 5 - Barnvagnen med sittdelen framåtriktad kan stå på hjulen, och riktad bakåt kan den stå på handtagen och de bakre hjulen. (30)
- 6 - Tryck på knappen för att vika ihop monteringen av sittdelen. (31)
- 7 - Vik ihop barnvagnen. (32)

! Sittvagnen kan utan säte stå med stöd av handtaget och de främre hjulen.

## Insats

- 1 - För att montera insatsen, placera insatsen över sätet och trä axel-, midje- och klykselen genom deras respektive öppningar. (33)

## Tillbehör

! Inte alla tillbehör är inkluderade i alla modeller.

## Adaptrar

För Nuna liggvagn och TRIV babylift montering och användning, se spädbarnslift och babylift bruksanvisning.

- 1 - För att fästa adaptrar, placera adaptrarna på sittdelsmontaget. Ett "klickljud" betyder att adaptern har låsts. (34)(35)
  - 2 - För att fästa spädbarnslift, placera spädbarnsliften på adaptrarna. Ett "klickljud" betyder att spädbarnsliften är fastsatt. (36)
  - 3 - För att fästa babylift, placera babyliften på adaptrarna. Ett "klickljud" betyder att babyliften är fastsatt. (37)
  - 4 - Vinkeln för bilbarnstolen för spädbarn och babylift kan justeras med våra justerbara adaptrar. (38)
  - 5 - När den används bakåtvänd är bokstäverna på ställningsadaptrarna samma som de på ramens plastdel. (39)
  - 6 - När den används framåtvänd är bokstäverna på ställningsadaptrarna omvänt de på ramens plastdel. (40)
  - 7 - För att ta bort spädbarnslift, tryck på låsknapparna på spädbarnsliften (41)-1 och lyft upp (41)-2.
  - 8 - För att ta bort babylift, tryck på låsknapparna på sidan av babylift (42)-1 och lyft upp (42)-2.
  - 9 - För att ta bort adaptrarna, dra i adaptrarnas låsknappar (43)-1 och lyft upp (43)-2.
- ! Ta bort spädbarnslift och babylift innan ihopvikning.

## Vika ihop barnvagnen med adaptrar

Innan sittvagnen med ställningsadaptrar fälls ihop ska handtaget justeras till den lägsta positionen och de främre riktningsslåsen bör låsas.

- 1 - Dra i bandet till adaptrarna för att vika ihop barnvagnen. (44)

! Sittvagnen med ställningsadaptrar kan stå med stöd av handtaget och de främre hjulen.

## TRIV Regnskydd

Kontrollera att suffletten är helt öpnad innan regnskyddet fästs.

- 1 - För att montera regnskyddet ska det placeras över sittvagnen. (45)

! Kontrollera ALLTID ventilation när regnskyddet sitter på produkten.

Kontrollera ALLTID att regnskyddet har rengjorts och torkats före ihopvikning.

VIK INTE ihop sittvagnen när regnskyddet är fastsatt.

PLACERA INTE barnet i sittvagnen vid varmt väder med regnskyddet fastsatt.

## Borttagning och montering av mjuka delar

Mjuka delar tas av genom att följa stegen (46) - (59) enligt bilden. För att sätta tillbaka mjuka delar ska ovan steg följas i omvänd ordning.

## Rengöring och underhåll

Rengör ramen, plast- och tygdelar med en fuktig trasa men använd inte slipande rengöringsmedel eller blekmedel. Använd inte silikonsmörjmedel då den kan dra åt sig smuts och fett. Förvara inte barnvagnen i fuktiga utrymmen.

Rengör barnvagnens hjul regelbundet med vatten och ta bort allt smuts.

För att säkerställa att långvarig användning, torka av barnvagnen med en mjuk absorberande trasa efter användning i regnigt väder.

Se skötsletiketten som är fäst på mjuka delar för information om tvätt och torkning.

Det är normalt att tyget färgas av solljus och visar slitage efter lång tids användning, även vid normal användning.

Av säkerhetsskäl, använd endast Nuna-delar.

Kontrollera regelbundet att allt fungerar korrekt. Om någon del är sliten, trasig eller saknas, sluta att använda produkten.

# TÄRKEÄÄ! LUE HUOELLISESTI JA SÄILYÄ TULEVAA KÄÄYTTÖÄ VARTEN

## Tuotetiedot

Mallin numero: \_\_\_\_\_

Valmistuspäivämäärä: \_\_\_\_\_

### Takuu

Olemme tarkoituksella suunnitelleet korkealaatuiset tuotteemme niin, että ne voivat kasvaa sekä lapsesi että perheesi kanssa. Koska luotamme tuotteeseemme, laitteella on tuotekohtainen mukautettu takuu, joka alkaa ostopäivästä. Pidä ostosite, mallinnumero ja valmistuspäivämäärä käsillä, kun otat meihin yhteyttä.

#### Katso takuutiedot osoitteesta:

[www.nunababy.com](http://www.nunababy.com)

Napsauta kotisivulla "Takuu"-linkkiä.

### Yhteystiedot

Saadaksesi vaihto-osia, huoltoa tai tietoja lisätakuusta, ota yhteyttä asiakaspalveluumme.

[info@nunababy.com](mailto:info@nunababy.com)

[www.nunababy.com](http://www.nunababy.com)

### Lapsikäytön vaatimukset

Tämä ratasistuin sopii käytettävissä lapsilla, jotka täyttävät seuraavat vaatimukset:

Vastasyntyneestä 22 kg:an tai 4 vuotiaaksi, kumpi vain toteutuu ensin

Kun käytät lastenvaunujen runkoa kantokopan tai Nuna-vauvan kantoistuimen kanssa, katso lapsen käyttövaatimukset kyseisten tuotteiden käyttöoppaista.

## VAROITUS

**Näiden varoitusten ja ohjeiden huomiotta jättäminen voi johtaa vakavaan vammaan tai kuolemaan.**

Käytä aina turvavaljaita.

Tarkasta ennen käyttöä, että vaunukopan, ratasistuimen tai turvaistuimen kiinnityslaitteet on aktivoitu oikein.

Älä anna lapsen leikkiä tällä tuotteella.

Tarkasta ennen käyttöä, että kaikki lukituslaitteet on lukittu.

Älä koskaan jätä lasta ilman valvontaa.

Tämä tuote ei sovellu työnnettäväksi juosten tai rullaluistellen.

Pidä lapsi poissa tuotteen luota, kun tuote taitetaan kasaan tai laitetaan käyttökuntoon, jotta lapsi ei loukkaannu.

Lisävarusteita, jotka eivät ole valmistaja suosittelemia, ei tule käyttää. Vain valmistajan/jakelijan suosittelemia vaihto-osia tulee käyttää.

Kokoamiseen tarvitaan aikuista.

Kytke pysäköintijarru AINA päälle, kun pysähdyt.

Mikään vahinko, joka on aiheutunut muiden kuin Nunan toimittamien lisävarusteiden käytöstä, ei kuulu takuun piiriin.

Kaikki kuorma, joka on kiinnitetty kädensijaan ja/tai niskatuen taakse ja/tai rattaiden sivuille, vaikuttavat rattaiden tasapainoon.

Varmista, että rattaat ovat kokonaan pystyssä ja salvat kiinnitetty, ennen kuin annat lasten olla lähellä rattaita.

**ÄLÄ** kannaa useampia lapsia, tavaroita tai lisävarusteita rattaissa, paitsi tässä käyttöoppaassa sallittuja. Ne voivat tehdä rattaista epävakaan.

**ÄLÄ** jätä rattaita lähelle voimakkaita lämmönlähteitä, kuten lämmitin tai avotuli.

**ÄLÄ** aseta mitään esineitä katokselle.

**ÄLÄ** säilytä rattaita kosteassa paikassa. Anna kankaan kuivua aina luonnollisesti loitolla suorasta kuumuudesta.

**ÄLÄ** käytä säilytyskoria turvakaukalona.

**ÄLÄ** käytä rattaita, jos mikään osa on vahingoittunut tai puuttuu.

Autonistuimilla, joita käytetään yhdessä alustan kanssa, nämä rattaat eivät korvaa koppaa tai vuodetta. Jos lapsen on nukuttava, lapsi on sijoitettava sopiviin lastenrattaisiin, koppaan tai vuoteeseen.

Pidä pienet osat etäällä lapsista, ne muodostavat tukehtumisvaaran.

Kierrä kivikot ja karkeat pinnat huolellisesti. Jatkuvat iskut voivat vahingoittaa kärryjä.

**ÄLÄ KOSKAAN** anna lasten seistä kärryissä.

**ÄLÄ KOSKAAN** kuljeta rattaissa useampaa kuin yhtä lasta.

**ÄLÄ KOSKAAN** käytä rattaita portaissa tai liukuportaissa. Voi yllättäen menettää kontrollin rattaisiin tai lapsi voi pudota.

Valjaat on aina kiinnitettävä ja säädettävä oikein. Valjaat eivät ole oikean aikuisen valvonnan korvike.

Pysäköintijarru on kytkettävä päälle, kun lapsi asetetaan rattaisiin tai pois niistä.

Ylikuorma, väärä taittelu ja muiden kuin Nunan hyväksymien lisävarusteiden, kuten lastenistuinten, kassikoukkujen sateensuojien ja seisomatelineiden käyttö voi vahingoittaa rattaita tai tehdä niistä epäturvalliset.

Kumipyörät voivat jättää mustia laahausjälkiä pehmeille pinnoille, kuten parketille, laminaatille ja linoleumille.

**KURISTUMISVAARA** Älä aseta langallisia esineitä lapsen kaulan ympärille. Ripusta langat tästä tuotteesta tai kiinnitä langat leluihin.

Välttääksesi tukehtumisvaaran, poista kaikki muovisuojukset ennen tämän laitteen käyttöä ja hävitä ne tai säilytä vauvojen ja lasten ulottumattomissa!

Estääksesi vaarallisen, epävakaan tilan, älä aseta yli 4,5 kg esineitä säilytyskoriin ja yli 0,45 kg säilytystaskuun.

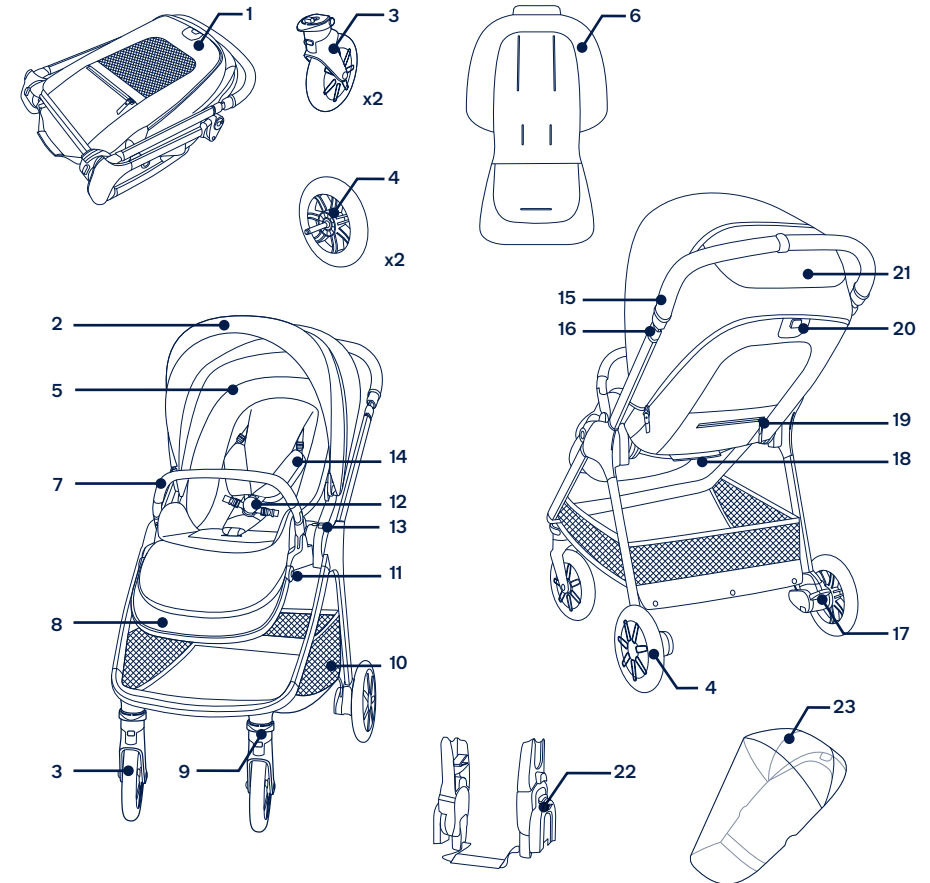
**KÄYTÄ** eninteen kallistunutta asentoa vastasyntyneillä lapsilla.

Käytä lastenrattaita korkeintaan 22 kg painavalla lapsella. Jos lapsi on tätä painavampi, rattaat vahingoittuvat.

## Osaluettelo

Varmista, että kaikki osat ovat käsillä ennen kokoamista. Jos jokin osa puuttuu, ota yhteyttä paikalliseen jälleenmyyjään. Kokoamiseen ei tarvita työkaluja.

- |    |                        |    |  |
|----|------------------------|----|--|
| 1  | Rattaiden kehys        | 13 | Istuimen vapautuspainike                           |
| 2  | Katos                  | 14 | Hartioiden valjastyyny                             |
| 3  | Etupyörä (x2)          | 15 | Kädensija  |
| 4  | Takapyörä (x2)         | 16 | Kädensijan säätöpainike                            |
| 5  | Istuintyyny            | 17 | Jarruvipu  |
| 6  | Väliliosa              | 18 | Taittoverkko                                       |
| 7  | Kädensija              | 19 | Varustetasku (maksimikuorma = 0,45 kg)             |
| 8  | Pohjetuki              | 20 | Kallistuksen säätöpainike / Taiton vapautuspainike |
| 9  | Kääntölukko            | 21 | Katoksen ikkuna                                    |
| 11 | Säilytyskori           | 22 | Pylvässovitimet                                    |
| 11 | Pohjetuen säätöpainike | 23 | Sadesuoja  |
| 12 | Solki                  |    |  |





## Tuotteen asetus

### Avaa rattaat

- 1- Ota rattaiden kehys ulos. (1)
- 2- Kierrä kädensija ylös avataksesi rattaiden kehyksen. (2)
- 3- Vedä istuinta avataksesi sen. (3)

“Napsahtava” ääni tarkoittaa, että istuin on auki.

Tarkista, että rattaiden salvat ovat kokonaan auki ennen kuin jatkat.

### Käännä istuin

Käännä istuin, jos on tarpeen.

- 1- Paina istuimen vapautuspainiketta (4)-1 ja nosta istuin ylös(4)-2.
- 2- Käännä istuin ja kiinnitä se kehikkoon. (5)  
“Napsahtava” ääni tarkoittaa, että istuin on kiinnitetty kokonaan.

### Etupyörät

- 1- Liitä etupyörä etujalkaan. (6)

“Naksahtava” ääni tarkoittaa, että etupyörä on kiinnitetty kokonaan.

Tarkista, onko pyörä kiinnitetty pitävästi vetämällä sitä ulos. Toista sama vastakkaisella puolella.

- 2- Irrottaaksesi etupyörän, paina vapautuspainiketta (7)-1 ja irrota etupyörä etujalasta (7)-2.

### Takapyörät

- 1- Liitä takapyörä takajalkaan. (8)

“Naksahtava” ääni tarkoittaa, että takapyörä on kiinnitetty kokonaan.

Tarkista, onko pyörä kiinnitetty pitävästi vetämällä sitä ulos. Toista sama vastakkaisella puolella.

- 2- Irrottaaksesi takapyörän, paina vapautuspainiketta (9)-1 ja irrota etupyörä takajalasta (9)-2.

### Kädensija

! Kiinnitä lapsi aina valjailla. Kädensija ei ole turvalaite.

- 1- Kohdista kädensijan päätä kädensijan kiinnikkeiden kanssa ja liitä se niihin niin, että se naksahtaa paikalleen. (10)

“Naksahtava” ääni tarkoittaa, että kädensija on kiinnitetty kokonaan.

- 2- Poistaaksesi kädensijan, paina kädensijan vapautuspainikkeita (11)-1 ja irrota kädensija (11)-2.

### Tarkista asetus

- Rattaisen kehysten salvat on avattu
- Rattaiden istuin kiinnitetty pitävästi
- Taka- ja etupyörät kiinnitetty pitävästi
- Kädensija kiinnitetty pitävästi

## Tuotteen käyttö

### Lapsen kiinnittäminen

- 1- Paina soljen yläpainiketta (12)-1 vapauttaaksesi soljen salvan ja irrottaaksesi magneettikiinnikkeet (12)-2.  
Aseta lapsi lastenvaunuihin.
- 2- Kiinnitä magneettikiinnikkeet solkeen. (13)
- 3- Kiinnitä valjaat tiiviisti lapsen ympärille vetämällä säätöihnoja kiristäaksesi (14)-1. Vedä sitten vyötärön säätöihinat ulos (14)-2.

### Hartiavaljaiden sijainti

- 1- Ylähartiavaljaiden solkia voi siirtää ylös ja alas lisäsäätämistä varten. (15)

! Vältäaksesi putoamisesta tai ulos liukumisesta aiheutuvan vakavan vamman, käytä aina valjaita.

Varmista, että valjaat on säädetty oikein ja että lapsi on kiinnitetty tiiviisti. Lapsen ja hartiavaljaiden välin tulee olla noin sormen paksuinen.

**ÄLÄ** aseta hartiaivoitit ristiin. Tämä lisää painetta lapsen niskaan.

### Katos

- 1- Avataksesi katoksen, vedä sitä istuimen etuosaa kohti ja taittaaksesi, työnnä sitä taaksepäin. (16)
- 2- Avaa katoksen vetoketju avataksesi lisävarjostimen. (17)
- 3- Saadaksesi lisätuuletusta, käännä katoksen ikkuna ylös. (18)

### Selkänöjan kallistaminen

Selkänöjalla on 4 kallistusasettoa.

- 1- Nostaaksesi tai laskeaksesi selkänöjaa, purista kallistuksen säätöpainiketta (19)-1 ja vedä selkänöjaa ylös tai alas (19)-2.

! **ÄLÄ** paina painiketta (19)-3 keskellä kallistuksen säätöpainiketta, kun säädät kallistuskulmaa. Varmista, että kallistus on säädetty oikein käyttöä varten.

### Pohjetuki

Pohjetuella on 2 käyttöasettoa.

- 1- Kohottaaksesi pohjetukea, nosta sitä ylös.
- 2- Laskeaksesi pohjetukea, paina säätöpainiketta (20)-1 ja työnnä tukea alas (20)-2.

### Kahva

Kädensijalla on 5 asettoa

- 1- Säättääksesi kädensijan korkeutta, vedä kädensijan säätöpainiketta (21)-1 ja vedä kädensijaa ylös tai alas (21)-2.

### Jarru

- 1- Lukitaksesi takapyörät, paina jalalla jarruvipu alas. (22)
- 2- Lukitaksesi etupyörät, nosta jalalla jarruvipu ylös. (23)

! Käytä aina jarrua, kun rattaat ovat pysähtyneet. Työnnä rattaita hieman varmistaaksesi, että jarru on päällä.

### Etukääntölukot

On suositeltavaa käyttää etukääntölukkoja epätasaisilla pinnoilla.

- 1- Vedä etukääntölukko ylös lukitaksesi etupyörän. (24)
- 2- Työnnä etukääntölukko alas avataksesi lukituksen. (25)

### Taita

Rattaat voi taittaa eteenpäin suunnatun tai taaksepäin suunnatun istuimen kanssa tai ilman istuinta. Säädä kädensija ennen rattaiden taittamista matalimpaan asentoon ja varmista, että kääntölukot ovat lukitsematta.

- 1- Taita katos. (26)
- 2- Paina taiton vapautuspainiketta (27)-1 keskellä kallistuksen säätöpainiketta ja purista sitten kallistuksen säätöpainiketta (27)-2.
- 3- Taita istuin. (28)
- 4- Vedä istuimen taittoverkkoa taittaaksesi rattaat. (29)
- 5- Rattaat, joissa on eteenpäin suunnattu istuin, voi seistä pyörillä, ja taakse päin suunnattu istuin käsinojalla ja takapyörillä. (30)
- 6- Paina istuinkiinnikkeiden taittopainikkeita. (31)
- 7- Taita rattaat. (32)

! Lastenvaunut ilman istuinta pysyvät pystyssä kahvan ja etupyörien varassa.

### Väliosa

- 1- Kootaksesi väliosan, aseta väliosa ensin istuimen päälle ja pujota hartia-, vyötärö- ja haaravaljaat niiden aukkojen läpi. (33)

## Lisävarusteet

! Kaikki lisävarusteet eivät sisälly joihinkin malleihin.

### Pylvässovittimet

Katso Nuna turvakaukalon ja TRIV-kantokopan kokoonpano- ja käyttöohjeet turvakaukalon ja kantokopan käyttöoppaasta.

- 1- Kiinnittäaksesi pylvässovittimet, aseta pylvässovittimet istuimen kiinnikkeisiin. “Naksahtava” ääni tarkoittaa, että sovittimet on kiinnitetty. (34)(35)
- 2- Kiinnittäaksesi turvakaukalon, aseta turvakaukalo pylvässovittimiin. “Naksahtava” ääni tarkoittaa, että turvakaukalo on kiinnitetty. (36)
- 3- Kiinnittäaksesi kantokopan, aseta kantokoppa pylvässovittimiin. “Naksahtava” ääni tarkoittaa, että kantokoppa on kiinnitetty. (37)
- 4- Lasten kantohihnojen ja kantokopan kulmaa voi säätää säädettävillä sovittimillamme. (38)
- 5- Selkä menosuuntaan käytettynä tankosovittimien kirjaimet ovat samat kuin kehyksen muoviosassa olevat. (39)
- 6- Kasvot menosuuntaan käytettynä tankosovittimien kirjaimet ovat vastakkaiset kuin kehyksen muoviosassa olevat. (40)
- 7- Irrottaaksesi turvakaukalon, työnnä turvakaukalon vapautuspainikkeita (41)-1 ja nosta se ylös (41)-2.
- 8- Irrottaaksesi kantokopan, työnnä kantokopan sivuilla olevia vapautuspainikkeita (42)-1 ja nosta se ylös (42)-2.
- 9- Irrottaaksesi pylvässovittimet, vedä sovittimen vapautuspainikkeita (43)-1 ja nosta se ylös (43)-2.

! Irrota turvakaukalo ja kantokoppa ennen taittamista.

### Taita kärryt pylvässovittimien kanssa

Säädä ennen pylvässovittimilla varustettujen lastenvaunujen taittelua kahva matalimpaan asentoon ja on suositeltavaa, että etukääntölukot on lukittu.

- 1- Vedä pylvässovittimien taittoverkko taittaaksesi rattaat. (44)

! Lastenvaunu, joissa on pylvässovittimet, pysyvät pystyssä kahvan ja etupyörien varassa.

### TRIV Sadesuoja

Tarkista, että kuomu on kokonaan auki ennen kiinnittämistä sadesuojaan.

- 1- Sadesuojan kokoamiseksi, aseta se kokonaan lastenrattaiden päälle. (45)

! Tarkista tuuletus AINA, kun sadesuoja on tuotteen päällä.

Tarkista AINA, että sadesuoja on puhdas ja kuiva ennen sein taittamista.

**ÄLÄ** taita lastenrattaita, kun sadesuoja on kiinnitetty.

**ÄLÄ** aseta lastenrattaiseen kuumalla säällä, kun sadesuoja on kiinnitetty.

## Pehmusteiden irrottaminen ja kokoonpano

Irrottaaksesi istuimen pehmyttarvikkeet, toimi näytettyjen vaiheiden (46) - (59) mukaisesti ja kootaksesi istuimen pehmyttarvikkeet uudelleen, toimi yllä olevien vaiheiden mukaisesti käänteisessä järjestyksessä.

## Puhdistus ja kunnossapito

Puhdista kehikko, muoviosat ja kangas kostealla liinalla, mutta älä käytä hiovia puhdistusaineita tai valkaisuainetta. Älä käytä silikonivoiteluaineita, ne keräävät likaa ja tahroja. Älä säilytä rattaita kosteassa paikassa.

Puhdista rattaiden pyörät säännöllisesti vedellä ja poista mahdollinen lika.

Varmistaaksesi pitkäkestoisen käytön, pyyhi kärryt pehmeällä imukykyisellä liinalla käytettyäsi niitä sateella.

Tarkista pehmusteisiin kiinnitetyt huolto- ja kuivausmerkinnät ennen pesua.

On normaalia, että kangas haalistuu auringonvalossa, ja että siinä näkyy kulumisen merkkejä pitkän käytön jälkeen, vaikka tuotetta käytettäisiin normaalisti.

Käytä turvallisuussyistä ainoastaan alkuperäisiä Nuna-osia.

Tarkista säännöllisesti, että kaikki toimii normaalisti. Jos jokin osa on revennyt, rikkoutunut tai puuttuu, lopeta tämän tuotteen käyttö.

# VIGTIGT – LÆS OMHYGGELIGT OG GEM TIL SENERE BRUG

## Produktoplysninger

Modelnummer: \_\_\_\_\_

Fremstillingsdato: \_\_\_\_\_

### Garanti

Vores høj kvalitetsprodukter er designet, så de kan tilpasses til dit barns voksende størrelse. Da vi står ved vores produkter, er vores udstyr dækket med en garanti, der er tilpasset hver produkt, og som starter den dag produktet købes. Du bedes venligst have dit købsbevis, modelnummer og fremstillingsdato klar, når du kontakter os.

Du kan finde flere garantioplysninger på:  
[www.nunababy.com](http://www.nunababy.com)  
Klik på linket "Garanti" på hjemmesiden.

### Kontakt

For oplysninger om reservedele, service og garantien, bedes du venligst kontakte vores kundeservice  
[info@nunababy.com](mailto:info@nunababy.com)  
[www.nunababy.com](http://www.nunababy.com)

## Brugskrav

Denne klapvogn er velegnet til brug med børn, der opfylder følgende krav:

Fødsel til 22 kg eller 4 år, alt efter hvad der kommer først

Når du bruger klapvognens stel med babyliften eller Nuna-bæresengen, skal du se kravene til børnebrug, der står i disse brugsanvisninger.

## ADVARSLER

Manglende overholdelse af disse advarsler og instruktioner kan medføre alvorlige kvæstelser eller dødsfald.

Brug altid selen.

Tjek, at barnevognskassens eller klapvognssædets eller autostolens fastgørelsesmekanisme er korrekt aktiveret, før brug.

Lad ikke barnet lege med dette produkt.

Sikre, at alle låseanordninger er låst før brug.

Efterlad aldrig barnet uden opsyn.

Dette produkt er ikke egnet til løb eller rulleskøjteløb.

Hold barnet væk fra dette produkt under udfoldning og sammenklapning, for at undgå at barnet kommer til skade.

Brug ikke tilbehør, der ikke er godkendt af producenten. Brug kun reservedele, som leveres eller er godkendt af fabrikanten/distributøren.

Kræver samling af en voksen.

Lås **ALTID** hjulene, når du stopper.

Eventuelle skader på grund af brugen af tilbehør, der ikke er fra Nuna, dækkes ikke af garantibetingelserne.

Enhver vægt, der anbringes på håndtaget og/eller bag på ryglænet og/eller på siderne af klapvognen vil påvirke stabiliteten.

Sørg for at klapvognen er helt åben og låst, før barnet kommer i nærheden af klapvognen.

Der må **IKKE** puttes flere børn, varer eller tilbehør i eller på klapvognen, udover antallet, der tillades i denne brugsvejledning. Dette kan gøre klapvognen ustabil.

Klapvognen må **IKKE** efterlades i nærheden af stærke varmekilder, såsom en radiator eller åben ild.

Der må **IKKE** placeres genstande på kalechen.

Opbevar **IKKE** klapvognen på et fugtigt sted. Lad altid stoffet tørre naturligt, væk fra direkte varme.

Brug **IKKE** opbevaringskurven som barnelift.

Klapvognen må **IKKE** bruge, hvis en eller flere dele er gået i stykker eller mangler.

Dette produkt kan ikke, sammen med autostolen, erstatte en barneseng eller en seng til spædbørn. Hvis barnet skal sove, bør du anbringe det i en passende barnevognskasse, barneseng eller seng.

Det anbefales ikke, at bruge indlæg B alene.

Hold små dele væk fra børn, da de udgør en kvælningsfare.

Håndter kantsten og ujævne jordoverflader forsigtigt. Gentagne slag kan forårsage skade på klapvognen.

Børn må **ALDRIG** stå op i klapvognen.

Der må **ALDRIG** være mere end ét barn i klapvognen.

Klapvognen må **ALDRIG** bruges på trapper eller rulletrapper. Du kan pludselig miste kontrollen over klapvognen, eller dit barn kan falde ud.

Selen skal altid være korrekt spændt og justeret. Selen er ikke en erstatning for ordentlig voksentsyn.

Parkeringsbremsen skal slås til, når du skal anbringe barnet eller tage det op.

Overbelastning, forkert foldning og brug af tilbehør, som fx børnesæder, posekroge, regnslag, buggyboard, osv end dem, der er godkendt af Nuna, kan beskadige klapvognen og gøre den farlig at bruge.

Gummidæk kan efterlade sorte ridsemærker på glatte overflader, såsom parket, laminat og linoleum.

**FARE FOR KVÆLNING** Placer ikke genstande med snore rundt om barnets hals. Hæng ikke snore fra dette produkt og bind ikke snore fast til legetøj.

For at undgå fare for kvælning, skal du fjerne alle plastikdæksler, inden produktet tages i brug, og ødelæg dem eller hold dem væk fra babyer og børn.

For å forhindre en farlig, ustabil tilstand, må du ikke plassere mer enn 4,5 kg i oppbevaringskurven og mer enn 0,45 kg i oppbevaringslommen.

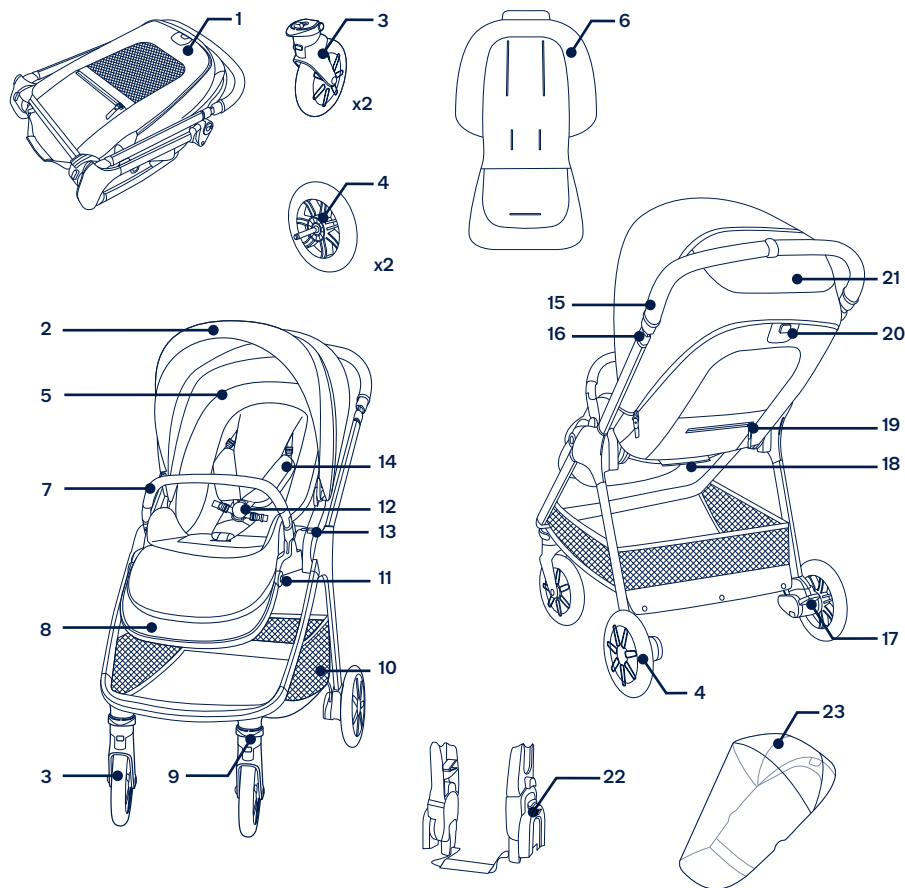
BRUG den mest tilbagelænedede stilling til nyfødte babyer.

Brug klapvognen til børn op til 22 kg. Tungere børn kan beskadige klapvognen.

## Liste over dele

Kontroller, at alle delene følger med, inden du begynder at samle produktet. Hvis der mangler nogen dele, bedes du venligst kontakte din lokale forhandler. Der skal ikke bruges værktøj til at samle produktet.

1	Klapvognsstel	13	Knap til frigivelse af sæde
2	Kaleche	14	Skulderseldepude
3	Forhjul (x2)	15	Håndtag
4	Baghjul (x2)	16	Justeringsknap til håndtag
5	Sædepude	17	Bremsegreb
6	Indlæg	18	Foldestrop
7	Armbøjle	19	Opbevaringslomme (maksimal belastning = 0,45 kg)
8	Lægstøtte	20	Knap til justering af ryglæn/udløserknap til sammenklapning
9	Hjulslås	21	Kalechevindue
10	Opbevaringskurv	22	Stangadaptere
11	Justeringsknap til lægstøtte	23	Regnslag
12	Spænde		



## Samling af produktet

### Åbn klapvogn

- 1- Tag knapvognen ud. (1)
- 2- Drej håndtaget op, for at åbne klapvognen. (2)
- 3- Træk i sædet, for at åbne det. (3)  
Et "klik" betyder, at sædet er åben.  
Sørg for, at klapvognen er foldet helt ud, før du fortsætter.

### Skift af sæde

Skift venligst sæde, hvis nødvendigt.

- 1- Tryk på sædeudløserknappen (4)-1, og løft sædet op (4)-2.
- 2- Vend sædet, og sæt det derefter fast på stellet. (5)  
Der lyder et "klik", når sædet sidder fast.

### Forhjul

- 1- Sæt forhjulet i forbenet. (6)  
Et "klik" betyder, at forhjulet er sat ordentligt på.  
Kontroller, at hjulet sidder ordentligt fast, ved at trække det udad. Gentag dette på modsatte side.
- 2- For at fjerne forhjulet, skal du trykke på udløserknappen (7)-1 og tag forhjulet af forbenet (7)-2.

### Baghjul

- 1- Sæt baghjulet i bagbenet. (8)  
Et "klik" betyder, at baghjulet er sat ordentligt på.  
Kontroller, at hjulet sidder ordentligt fast, ved at trække det udad. Gentag dette på modsatte side.
- 2- For at fjerne baghjulet, skal du trykke på udløserknappen (9)-1 og tag baghjulet af bagbenet (9)-2.

### Armbøjle

- ! Sørg altid for, at spænde barnet fast med selerne. Armbøjlen er ikke beregnet til selerne.
- 1- Sæt enderne på armbøjlen mod armbøjle monteringsstykker, og sæt den i, indtil den klikker på plads. (10)  
Et "klik" betyder, armbøjlen er sat ordentligt på.
  - 2- For at fjerne armbøjlen, skal du trykke på frigørelsesknapperne til armbøjlen (11)-1 og fjerne armbøjlen (11)-2.

### Kontroller opsætningen

- At stellet er åbent
- At sædet sidder ordentligt fast
- At for- og baghjul sidder ordentligt fast
- At armbøjlen sidder ordentligt fast

## Brug af produktet

### Sådan spændes barnet fast

- 1- Tryk på den øvre knap på spændet (12)-1, for at løse spændet, og fjern de magnetiske klemmer (12)-2. Put barnet i klapvognen.
- 2- Sæt de magnetiske klemmer i spændet. (13)
- 3- Tilpas selen til barnet, ved at trække i justeringsstropperne for at spænde barnet fast (14)-1. Træk derefter i justeringsstropperne til taljeselen (14)-2.

### Justering af skulderselens placering

- 1- Spænderne på den øvre skuldersæle, kan flyttes op og ned for ekstra justering. (15)  
! For at undgå, at barnet kommer til skade ved at falde eller glide ud, skal du altid bruge selen til barnet.

Sørg for, at seletøjet er justeret korrekt, og at dit barn er spændt ordentligt fast. Afstanden mellem barnet og skulderselerne skal være ca. som tykkelsen af en finger.

Kryds IKKE skulderselerne. Dette vil medføre pres på barnets hals.

### Kaleche

- 1- For at åbne kalechen, skal du trække den mod forenden af sædet, og for at lukke kalechen, skal du trykke den tilbage. (16)
- 2- Åbn lynlåsen på kalechen for mere skygge. (17)
- 3- For mere ventilation skal du vippe tildækningen på kalechens vindue op. (18)

### Sådan lænes ryglænet tilbage

Ryglænet har 4 lænepositioner.

- 1- For at hæve eller sænke ryglænet, skal du trykke på justeringsknappen til ryglænet (19)-1 og trække ryglænet op eller ned (19)-2.  
! Tryk venligst ikke på knappen (19)-3 på midten at knappen til ryglænet, når ryglænet justeres. Indstil ryglænet i en passende vinkel.

### Lægstøtte

Lægstøtten har 2 indstillinger.

- 1- Løft lægstøtten opad, for at hæve den.
- 2- For at sænke lægstøtten, skal du trykke på justeringsknapperne på begge sider (20)-1, og tryk den derefter nedad (20)-2.

### Håndtag

Håndtaget har 5 positioner.

- 1- For at justere håndtagets højde, skal du trække i justeringshåndtaget (21)-1 og trække håndtaget op eller ned (21)-2.

## Bremsen

- 1 - For at låse baghjulene, skal du træde på bremsearmen. (22)
- 2 - Løft bremsearmen op, for at låse baghjulene op. (23)

! Brug altid bremsen, når klapvognen stoppes. Skub klapvognen lidt for at sikre, at bremsen er aktiveret.

## Forhjulslås

På ujævne overflader, anbefales det at bruge hjullåsen på forhjulene.

- 1 - Træk forhjulslåsen op, for at låse forhjulet. (24)
- 2 - Tryk forhjulslåsen ned, for at låse den op. (25)

## Sammenklapning

Klapvognen kan klappes sammen med et fremadvendt sæde eller bagadvendt sæde eller uden sædet. Før klapvognen klappes sammen, skal du trykke håndtaget helt ned, og sørg for at de forhjulslåsene er låst op.

- 1 - Fold kalechen sammen. (26)
  - 2 - Tryk på frigivelsesknappen til sammenklapning (27)-1 midt på knappen til justering af ryglænet, og tryk derefter på knappen til justering af ryglænet (27)-2.
  - 3 - Fold sædet sammen. (28)
  - 4 - Træk i sædets foldestrop, for at klappe klapvognen sammen. (29)
  - 5 - Klapvognen med fremadvendt sæde kan stå på hjulene, og med bagadvendt sæde kan stå på håndtaget og baghjulene. (30)
  - 6 - Tryk på foldeknapperne på sædeholderne. (31)
  - 7 - Klap klapvognen sammen. (32)
- ! Klapvognen uden sædet kan stå på håndtaget og forhjulene.

## Indsæt

- 1 - For at sætte indlægget på, skal du placere det sædet og stikke skulder-, talje- og skridtseleer gennem hvert deres hul. (33)

## Tilbehør

! Noget af tilbehøret følger ikke med nogle modeller.

## Stangadaptere

For samling og brug af Nuna-bæresengen og TRIV-babylyften, bedes du se deres brugsvejledninger.

- 1 - For at fastgøre stangadapterne, skal du placere stangadapterne på sædeholderne. Når du hører et "klik", er stangadapterne låst fast. (34)(35)
- 2 - For at sætte bæresengen fast, skal du sætte den på stangadapterne. Når du hører et "klik", er bæresengen sat på. (36)

- 3 - For at sætte babylyften fast, skal du sætte den på stangadapterne. Når du hører et "klik", er babylyften sat på. (37)
  - 4 - Autostolens og barnesengens vinkel kan justeres med vores justerbare adaptere. (38)
  - 5 - Når produktet bruges bagadvendt, er bogstaverne på stangadapterne de samme som på rammeplastikken. (39)
  - 6 - Når produktet bruges fremadvendt, er bogstaverne på stangadapterne modsat af bogstaverne på rammeplastikken. (40)
  - 7 - For at fjerne bæresengen, skal du trykke på frigørelsesknapperne på bæresengen (41)-1 og løfte den op (41)-2.
  - 8 - For at fjerne babylyften, skal du trykke på frigørelsesknapperne på babylyften (42)-1 og løfte den op (42)-2.
  - 9 - For at tage stangadapterne ud, skal du trække i frigørelsesknapperne (43)-1 og løfte op (43)-2.
- ! Fjern bæresengen og babylyften, inden klapvognen klappes sammen.

## Klap klapvognen sammen med stangadapterne

Før klapvognen med stangadapterne klappes sammen, skal du trykke håndtaget helt ned, og sørg for at de forhjulslåsene er låst.

- 1 - Tryk i stangadapternes foldestrop, for at klappe klapvognen sammen. (44)
- ! Klapvognen med stangadapterne kan stå på håndtaget og forhjulene..

## TRIV-regnslaget

Sørg for, at kalechen er helt åben, før regnslaget sættes på.

- 1 - For at sætte regnslaget på, skal det placeres over klapvognen. (45)
- ! Kontroller **ALTID** ventilationen, når regnslaget er på produktet.

Sørg **ALTID** for at regnslaget er rengjort og er ordentligt tørt inden det pakkes sammen.

Klapvognen må **IKKE** foldes sammen, når regnslaget er på.

Barnet må **IKKE** puttes i klapvognen i varmt vejr med regnslaget på.

## Afmonter og samling af bløde varer

For at tage de bløde dele af, skal du følge trinene (46) - (59) som vist. For at sætte de bløde dele på, skal du følge trinene i omvendt rækkefølge.

## Rengøring og vedligeholdelse

Rengør rammen, plastdelene og stoffet med en fugtig klud, men brug ikke slibemidler eller blegemiddel. Brug ikke siliciumsmøremidler, da de tiltrækker skidt og snavs. Opbevar ikke klapvognen på et fugtigt sted.

Rengør klapvognens hjul regelmæssigt med vand, og fjern al snavs.

For at holde klapvognen i god stand, skal du tørre den af med en blød, absorberende klud, når du har brugt det i regnvej.

Se vejledninger om vask og tørring på etiketterne vedrørende pleje, der sidder på de bløde dele.

Det er normalt, at farverne på stof falmer fra sollys og viser slid efter lang tids brug, også når det bruges normalt.

Af sikkerhedsmæssige årsager, må du kun bruge reservedele fra Nuna.

Kontroller regelmæssigt, om alt virker ordentligt. Hvis nogle dele er revet, ødelagt eller mangler, skal du holde op med at bruge dette produkt.

# IMPORTANT! CITIȚI CU ATENȚIE ȘI PĂSTRAȚI PENTRU CONSULTĂRI ULTERIOARE

## Informații referitoare la produs

Numărul modelului: \_\_\_\_\_

Data fabricării: \_\_\_\_\_

### Garanție

Am conceput special produsele noastre de înaltă calitate, astfel încât să crească odată cu copilul și familia dvs. Deoarece avem încredere în produsul nostru, echipamentele noastre sunt acoperite de o garanție personalizată per produs, începând cu ziua achiziționării. Vă rugăm să aveți dovada cumpărării, numărul de model și data fabricației disponibile atunci când ne contactați.

Pentru informații referitoare la garanție, vă rugăm să vizitați:

[www.nunababy.com](http://www.nunababy.com)

Faceți clic pe linkul „Garanție” de pe pagina principală.

### Contact

Pentru piese de schimb, pentru service sau pentru alte întrebări referitoare la garanție, contactați departamentul de service pentru clienți.

[info@nunababy.com](mailto:info@nunababy.com)

[www.nunababy.com](http://www.nunababy.com)

### Cerințe de utilizare pentru copii

Acest scaun pentru cărucioare este potrivit pentru copiii care îndeplinesc următoarele cerințe:

De la naștere până la 22 kg sau 4 ani, respectiv situația care intervine prima

Când utilizați rama căruciorului cu accesoriul de transport sau cu suport pentru copii Nuna, consultați cerințele de utilizare enumerate în manualele de instrucțiuni.

## ⚠️ AVERTISME

**Nerespectarea acestor avertismente și instrucțiuni poate cauza vătămări corporale grave sau moartea.**

Utilizați întotdeauna sistemul de prindere.

Înainte de utilizare verificați dacă dispozitivele de fixare de la landou, scaunul căruciorului sau scaunul auto sunt cuplate în mod corespunzător.

**NU** lăsați copilul să se joace cu acest produs.

Asigurați-vă că toate dispozitivele de blocare sunt închise înainte de a utiliza produsul.

**NU** lăsați niciodată copilul nesupravegheat.

Acest produs nu este recomandat a fi utilizat în timp ce alergați sau vă plimbați pe role.

Pentru a evita rănirea copilului, asigurați-vă că acesta este la distanță atunci când pliați și depliați acest produs.

Accesoriile care nu sunt aprobate de producător nu trebuie utilizate. Trebuie utilizate numai piese de schimb furnizate sau recomandate de producător/distribuitor.

Asamblarea trebuie efectuată de un adult.

Cuplați **ÎNTOTDEAUNA** frâna de mână când opriți.

Orice daune cauzate de utilizarea accesoriilor care nu sunt furnizate de Nuna nu vor fi acoperite de garanție.

Orice sarcină atașată la mâner și/sau în partea din spate a spătarului și/sau a părților laterale ale vehiculului va afecta stabilitatea vehiculului.

Căruciorul trebuie să fie ridicat și blocat complet înainte de a permite copilului să se afle lângă cărucior.

**NU** transportați mai mulți copii, bunuri, accesorii în sau pe cărucior, cu excepția celor permise în acest manual. Acestea pot provoca instabilitatea căruciorului.

**NU** lăsați căruciorul expus în apropierea unei surse puternice de căldură, adică unui radiator sau foc deschis.

**NU** puneți niciun element pe baldachin.

**NU** depozitați căruciorul într-un loc umed. Lăsați întotdeauna materialul să se usuce în mod natural departe de căldura directă.

**NU** utilizați coșul de depozitare ca purtător pentru copii.

**NU** folosiți căruciorul dacă există componente deteriorate sau lipsă.

Pentru scaunele auto utilizate împreună cu un șasiu, acest vehicul nu înlocuiește un pătuț pliant sau un pat. În cazul în care copilul trebuie să doarmă, puneți copilul într-un landou, pătuț pliant sau pat adecvat.

Păstrați piesele mici departe de copii deoarece prezintă un pericol de sufocare.

Mergeți cu atenție în curbe și pe teren denivelat. Un impact repetat ar putea duce la deteriorarea căruciorului.

**NICIODATĂ** nu permiteți copiilor să stea în picioare pe cărucior.

**NICIODATĂ** nu transportați mai mult de un copil în cărucior.

**NICIODATĂ** nu utilizați căruciorul pe scări sau în lifturi. Puteți pierde brusc controlul căruciorului sau copilul dvs. poate cădea.

Hamul trebuie montat și reglat întotdeauna corect. Hamul nu înlocuiește supravegherea adecvată din partea adulților.

Frâna de parcare trebuie acționată atunci când așezați și scoateți copilul din cărucior.

Supraîncărcarea, plierea incorectă și utilizarea accesoriilor, de exemplu scaunelor pentru copii, cârligelor pentru genți, huselor de ploaie, platformelor pentru al doilea copil etc., altele decât cele aprobate de Nuna, pot deteriora sau pot face căruciorul nesigur.

Anvelopele din cauciuc pot lăsa urme negre pe suprafețe netede, cum ar fi parchetul, suprafețele laminate și linoleumul.

**PERICOL DE STRANGULARE** Nu plasați obiecte cu șnururi în jurul gâtului copilului, nu agățați șnururi de acest produs și nu atașați șnururi la jucării.

Pentru a evita orice pericol de sufocare, scoateți toate ambalajele din plastic înainte de a folosi acest obiect și distrugeți sau păstrați departe de bebeluși și copii!

Pentru a preveni o situație periculoasă, instabilă, nu introduceți mai mult de 4,5 kg în coșul de depozitare și mai mult de 0,45 kg în buzunarul de depozitare.

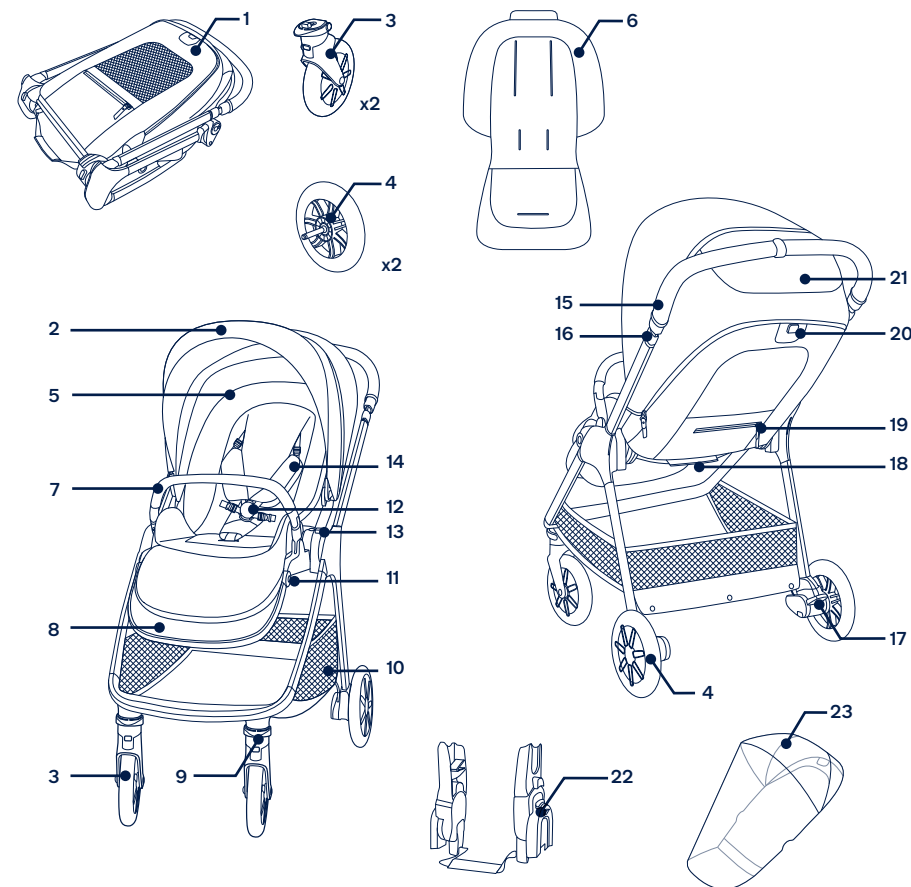
**UTILIZAȚI** poziția cea mai înclinată pentru bebelușii nou-născuți.

Utilizați căruciorul pentru copii cu o greutate de până la 22 kg. Căruciorul va suferi daune dacă îl utilizați pentru un copil cu o greutate nepotrivită.

## Lista componentelor

Asigurați-vă că toate componentele sunt disponibile înainte de asamblare. Dacă lipsește o componentă, contactați distribuitorul local. Nu sunt necesare unelte pentru asamblare.

- |    |   |    |  |
|----|---|----|--|
| 1  | Cadru pentru cărucior                         | 13 | Buton de eliberare scaun                             |
| 2  | Baldachin                                     | 14 | Pernă ham pentru umăr                                |
| 3  | Roată față (x2)                               | 15 | Mâner  |
| 4  | Roată spate (x2)                              | 16 | Buton de ajustare mâner                              |
| 5  | Perna inferioară a scaunului                  | 17 | Pârghie de frână                                     |
| 6  | Inserție                                      | 18 | Chingă de pliere                                     |
| 7  | Bară braț                                     | 19 | Buzunar de depozitare (sarcină maximă = 0,45 kg)     |
| 8  | Suport pentru gambe                           | 20 | Buton de reglare înclinare/Buton de eliberare pliere |
| 9  | Blocare pivot                                 | 21 | Geam baldachin                                       |
| 10 | Coș de depozitare                             | 22 | Adaptoare de stâlpi                                  |
| 11 | Butonul de ajustare a suportului pentru gambe | 23 | Husă pentru ploaie                                   |
| 12 | Cataramă                                      |    |  |



## Configurare produs

### Cărucior deschis

- 1 - Scoateți cadrul căruciorului. (1)
- 2 - Rotiți mânerul în sus pentru a deschide cadrul căruciorului. (2)
- 3 - Trageți scaunul pentru a-l deschide. (3)  
Un sunet „clic” înseamnă că scaunul este deschis.  
Verificați căruciorul să fie complet deschis înainte de a continua.

### Schimbare scaun

- Schimbați scaunul dacă este necesar.
- 1 - Apăsăți butonul de eliberare a scaunului (4)-1 și ridicați scaunul în sus (4)-2.
  - 2 - Inversați scaunul și apoi atașați-l la cadru. (5)  
Un sunet „clic” înseamnă că scaunul este atașat complet

### Roți față

- 1 - Introduceți roata din față în piciorul din față. (6)  
Un sunet „clic” înseamnă că roata din față este asamblată complet.  
Verificați dacă roata este bine fixată prin tragere. Repetați pe partea cealaltă.
- 2 - Pentru a scoate roata din față, apăsați butonul de deblocare (7)-1 și detașați roata din față de piciorul din față (7)-2.

### Roți spate

- 1 - Introduceți roata din spate în piciorul din spate. (8)  
Un sunet „clic” înseamnă că roata din spate este asamblată complet.  
Verificați dacă roata este bine fixată prin tragere. Repetați pe partea cealaltă.
- 2 - Pentru a scoate roata din față, apăsați butonul de deblocare (9)-1 și detașați roata din spate de piciorul din spate (9)-2.

### Bară braț

- ! Fixați întotdeauna copilul cu hamul. Bara de braț nu este un dispozitiv de reținere.
- 1 - Aliniați capetele barei brațului cu monturile barei brațului și introduceți până când se fixează în poziție. (10)  
Un sunet „clic” înseamnă că bara brațului este asamblată complet.
  - 2 - Pentru a scoate bara de braț, apăsați butoanele de eliberare a barei brațului (11)-1 și scoateți bara brațului (11)-2.

### Verificarea configurării

- Cadrul pentru cărucior este deschis
- Scaunul căruciorului este atașat în siguranță
- Roțile din față și din spate sunt bine atașate
- Bară braț atașată în siguranță

## Utilizarea produsului

### Fixarea copilului

- 1 - Apăsăți butonul de sus de pe cataramă (12)-1 pentru a elibera dispozitivul de blocare al cataramii și a scoate clemele magnetice (12)-2. Așezați copilul în cărucior.
- 2 - Introduceți clemele magnetice în cataramă. (13)
- 3 - Fixați ferm hamul pentru copilul dvs. trăgând curelele de reglare pentru a strânge (14)-1. Apoi trageți curelele de reglare a taliei în afară (14)-2.

### Poziție ham pentru umăr

- 1 - Cataramele hamurilor pentru umăr superioare pot fi deplasate în sus și în jos pentru reglare suplimentară. (15)  
! Pentru a evita accidentările grave cauzate de căderi sau alunecări din leagăn, fixați întotdeauna centura de siguranță.  
Asigurați-vă că hamul este reglat corespunzător și că copilul este bine fixat. Spațiul dintre copil hamul de umăr trebuie să fie aproximativ egal cu grosimea unui deget.  
NU încrucișați curelele de umăr. Acest lucru va pune presiune pe gâtul copilului.

### Baldachin

- 1 - Pentru a deschide baldachinul, trageți baldachinul spre partea din față a scaunului și împingeți-l înapoi pentru a-l plia. (16)
- 2 - Deschideți fermoarul de pe baldachin pentru umbră suplimentară. (17)
- 3 - Pentru ventilație suplimentară, deschideți capacul ferestrei baldachinului. (18)

### Rabatere

Există 4 poziții înclinate pentru spătar.

- 1 - Pentru a ridica sau coborî spătarul, apăsați butonul de ajustare a înclinării (19)-1 și trageți spătarul în sus sau în jos (19)-2.  
! Nu apăsați butonul (19)-3 pe mijlocul butonului de ajustare a înclinării la reglarea unghiului pentru înclinare.  
Asigurați-vă că înclinarea este reglată corespunzător pentru utilizare.

## Suport pentru gambe

Suportul pentru gambe are 2 poziții de utilizare.

- 1 - Pentru a ridica suportul pentru gambe, ridicați-l.
- 2 - Pentru a coborî suportul pentru gambe, apăsați butonul de reglare (20)-1 și împingeți în jos (20)-2.

## Mâner

Mânerul are 5 poziții.

- 1 - Pentru a ajusta înălțimea mânerului, trageți butonul de ajustare a mânerului (21)-1 și trageți mânerul în sus sau în jos (21)-2.

## Frână

- 1 - Pentru a bloca roțile din spate, trageți în jos maneta de frână. (22)
- 2 - Pentru a debloca roțile din spate, ridicați maneta de frână. (23)  
! Aplicați întotdeauna frâna atunci când căruciorul este oprit. Împingeți căruciorul ușor pentru a vă asigura că frâna este cuplată.

## Blocări pivot față

Se recomandă folosirea încuietorilor pivotante față pe suprafețe denivelate.

- 1 - Trageți încuietorea pivotului din față pentru a bloca roata din față. (24)
- 2 - Apăsăți în jos încuietorea pivotului din față pentru a debloca. (25)

## Îndoire

Căruciorul poate fi pliat cu scaunul orientat în față sau cu scaunul orientat în spate sau fără scaun. Înainte de plierea căruciorului, reglați mânerul în poziția cea mai de jos și asigurați-vă că încuietorile pivotante din față sunt deblocate.

- 1 - Pliati baldachinul. (26)
- 2 - Apăsăți butonul de eliberare pliere (27)-1 din mijlocul butonului de reglare a înclinării apoi strângeți butonul de reglare a înclinării (27)-2.
- 3 - Pliati scaunul. (28)
- 4 - Trageți chinga de pliere a scaunului pentru a plia căruciorul. (29)
- 5 - Căruciorul cu scaun orientat în față poate sta pe roți, iar cu scaunul orientat în spate poate sta în mâner și roțile din spate. (30)
- 6 - Apăsăți butoanele de pliere ale suporturilor scaunelor. (31)
- 7 - Pliati căruciorul. (32)  
! Fără scaun, căruciorul se poate sprijini pe mâner și pe roțile din față.

## Insertie

- 1 - Pentru a asambla insertia, puneți insertia peste scaun și înfiletați hamurile pentru umeri, talie și bazin prin fantele respective. (33)

## Accesorii

! NU toate accesoriile sunt incluse la unele modele.

## Adaptoare de stâlpi

Pentru asamblarea și folosirea modulului de transport pentru copii Nuna și a pătuțului pliant de transport TRIV, consultați manualele de instrucțiuni respective.

- 1 - Pentru a atașa adaptoarele de stâlpi, așezați adaptoarele de stâlpi pe suporturile scaunelor. Un sunet „clic” înseamnă că adaptoarele de stâlpi sunt atașate. (34)(35)
- 2 - Pentru a fixa modulul de transport pentru copii, așezați-l pe adaptoarele pentru stâlp. Un sunet „clic” înseamnă că modulul de transport pentru copii este atașat. (36)
- 3 - Pentru a atașa pătuțului pliant de transport, așezați pătuțului pliant de transport pe adaptoarele stâlpului. Un sunet „clic” înseamnă că pătuțul pliant de transport este atașat. (37)
- 4 - Unghiul pentru cărucior și landou pot fi reglate prin folosirea adaptoarelor reglabile. (38)
- 5 - La utilizarea cu fața înapoi, literele de pe adaptoarele de stativ sunt aceleași ca și cele de pe plasticul cadrului. (39)
- 6 - La utilizarea cu fața înainte, literele de pe adaptoarele de stativ sunt opuse față de cele de pe plasticul cadrului. (40)
- 7 - Pentru a scoate modulul de transport pentru copii, apăsați butoanele de eliberare de pe pătuțul modulului de transport pentru copii (41) -1 și ridicați (41)-2.
- 8 - Pentru a scoate pătuțul pliant de transport, apăsați butoanele de eliberare de pe partea laterală a pătuțului pliant de transport și ridicați (42)-2.
- 9 - Pentru a scoate adaptoarele de stâlpi, trageți butoanele de eliberare a adaptorului (43)-1 și ridicați (43)-2.  
! Scoateți modulul de transport pentru copii și pătuțul pliant de transport înainte de a plia.

## Plierea căruciorului cu adaptoare de stâlpi

Înainte de a plia căruciorul cu adaptoare de susținere, reglați mânerul în poziția cea mai de jos și asigurați-vă că sistemul de blocare a mișcării de pivotare a roților din față este cuplat.

- 1 - Trageți chinga de pliere a adaptoarelor pentru stâlpi pentru a plia căruciorul. (44)  
! Cu adaptoarele pentru stâlpi, căruciorul se poate sprijini pe mâner și pe roțile din față.



## TRIV Husă pentru ploaie

Verificați ca baldachinul să fie complet deschis înainte de a atașa husa pentru ploaie.

- 1 - Pentru a asambla husa pentru ploaie, puneți-o peste cărucior. (45)

! Verificați **ÎNTOTDEAUNA** ventilația atunci când husa pentru ploaie este pe produs.

Verificați **ÎNTOTDEAUNA** dacă husa pentru ploaie a fost curățată și uscată înainte de pliere.

**NU** pliați căruciorul când este atașată husa pentru ploaie.

**NU** puneți copilul în cărucior pe vreme caldă cu husa pentru ploaie atașată.

## Detașarea și asamblarea componentelor moi

Pentru a detașa părțile moi ale șezutului, urmați pașii (46) – (59) conform indicațiilor, iar pentru a reasambla părțile moi ale șezutului, urmați pașii de mai sus în sens invers.

## Curățarea și întreținerea

Curățați cadrul, piesele din plastic și țesătura cu o cârpă umedă, dar nu folosiți materiale abrazive sau înălbitor. Nu utilizați lubrifianți cu silicon deoarece aceștia vor atrage murdăria. Nu depozitați căruciorul într-un loc umed.

Curățați în mod regulat roțile căruciorului cu apă și îndepărtați murdăria.

Pentru a asigura o utilizare de lungă durată, ștergeți căruciorul cu o cârpă moale, absorbantă după ce l-ați folosit în condiții meteo ploioase.

Consultați eticheta de întreținere atașată componentelor moi pentru instrucțiunile de spălare și uscare.

Este normal ca țesătura să fie decolorată de lumina soarelui și să prezinte semne de uzură după o perioadă îndelungată de utilizare, chiar și atunci când este utilizată în mod normal.

Din motive de siguranță, utilizați numai piese originale Nuna.

Verificați regulat dacă totul funcționează corect. Dacă vreuna dintre părți este răsucită, ruptă sau lipsește, nu mai utilizați acest produs.

# ΣΗΜΑΝΤΙΚΟ! ΔΙΑΒΑΣΤΕ ΠΡΟΣΕΚΤΙΚΑ ΚΑΙ ΦΥΛΑΞΕ ΓΙΑ ΜΕΛΛΟΝΤΙΚΗ ΑΝΑΦΟΡΑ

## Πληροφορίες προϊόντος

Αριθμός μοντέλου: \_\_\_\_\_

Ημερομηνία κατασκευής: \_\_\_\_\_

### Εγγύηση

Σχεδιάζουμε τα υψηλής ποιότητας προϊόντα μας με σκοπό να μπορούν να αναπτυχθούν μαζί με το παιδί σας και την οικογένειά σας. Επειδή προσφέρουμε υποστήριξη, τα προϊόντα μας καλύπτονται από μια προσαρμοσμένη εγγύηση ανά προϊόν, η οποία ξεκινά από την ημέρα αγοράς. Παρακαλείστε να έχετε διαθέσιμα την απόδειξη αγοράς, τον αριθμό μοντέλου και την ημερομηνία κατασκευής, όταν επικοινωνείτε μαζί μας.

**Για πληροφορίες σχετικά με την εγγύηση, επισκεφθείτε τη διεύθυνση:**

[www.nunababy.com](http://www.nunababy.com)

Κάντε κλικ στον σύνδεσμο “Εγγύηση” στην αρχική σελίδα.

### Επικοινωνία

Για τα ανταλλακτικά, επισκευές ή πρόσθετες ερωτήσεις εγγύησης, επικοινωνήστε με το τμήμα εξυπηρέτησης πελατών μας.

[info@nunababy.com](mailto:info@nunababy.com)

[www.nunababy.com](http://www.nunababy.com)

### Απαιτήσεις χρήσης

Το παρόν κάθισμα καροτσιού είναι κατάλληλο για χρήση με παιδιά που πληρούν τις ακόλουθες απαιτήσεις:

Από τη γέννηση έως 22 κιλά ή 4 ετών, όποιο συμβεί πρώτο

Όταν χρησιμοποιείτε το πλαίσιο του καροτσιού με πορτ-μπεμπέ ή βρεφικό ριλάξ Nuna, ανατρέξτε στις απαιτήσεις χρήσης που αναφέρονται σε αυτά τα εγχειρίδια οδηγιών.

## EL **⚠ ΠΡΟΕΙΔΟΠΟΙΗΣΗ**

**Σε περίπτωση που δεν ακολουθήσετε αυτές τις προειδοποιήσεις και οδηγίες, αυτό μπορεί να έχει ως αποτέλεσμα σοβαρό τραυματισμό ή ακόμη και θάνατο.**

Χρησιμοποιείτε πάντα το σύστημα πρόσδεσης.

Βεβαιωθείτε ότι οι διατάξεις σύνδεσης του καροτσιού ή του καθίσματος ή του καθίσματος αυτοκινήτου έχουν τοποθετηθεί σωστά πριν από τη χρήση.

Μην αφήνετε το παιδί σας να παίζει με το προϊόν αυτό.

Βεβαιωθείτε ότι έχουν ενεργοποιηθεί όλες οι διατάξεις ασφάλισης πριν από τη χρήση.

Μην αφήνετε ποτέ το παιδί σας χωρίς επιτήρηση.

Μη χρησιμοποιείτε το προϊόν αυτό όταν κάνετε τζόκινγκ.

Για την αποφυγή τραυματισμών, απομακρύνετε το παιδί σας κατά το δίπλωμα και το ξεδίπλωμα του προϊόντος αυτού.

Εξαρτήματα που δεν έχουν εγκριθεί από τον κατασκευαστή δεν πρέπει να χρησιμοποιούνται. Θα πρέπει να χρησιμοποιούνται μόνο ανταλλακτικά που παρέχονται ή συνιστώνται από τον κατασκευαστή /δισανομέα.

Απαιτείται συναρμολόγηση από ενήλικο.

Ενεργοποιείτε **ΠΑΝΤΑ** το φρένο όταν το καρότσι δεν κινείται.

Οποιοσδήποτε ζημίες προκαλούνται από τη χρήση εξαρτημάτων που δεν παρέχονται από τη Nuna δεν καλύπτονται από την εγγύηση.

Κάθε φορτίο στη λαβή ή/και στο πίσω μέρος της πλάτης ή/και στις πλευρές του καροτσιού επηρεάζει τη σταθερότητα του καροτσιού.

Βεβαιωθείτε ότι το καρότσι είναι πλήρως ανοικτό πριν αφήσετε το παιδί κοντά στο καρότσι.

**MHN** μεταφέρετε περισσότερα από ένα παιδιά, αγαθά, αξεσουάρ μέσα ή πάνω στο καρότσι, εκτός εάν επιτρέπεται από το παρόν φύλλο οδηγιών.. Ενδέχεται να προκαλέσουν αστάθεια στο καρότσι.

**MHN** αφήνετε το καρότσι εκτεθειμένο κοντά σε ισχυρή πηγή θερμότητας, όπως θερμάστρες ή ανοικτή φλόγα.

**MHN** τοποθετείτε κανένα αντικείμενο επάνω στην κουκούλα.

**MHN** αποθηκεύετε το καρότσι σε υγρό μέρος. Να αφήνετε πάντα στο ύφασμα να στεγνώσει φυσικά μακριά από την άμεση θερμότητα.

**MHN** χρησιμοποιείτε το καλάθι αποθήκευσης για να μεταφέρετε το παιδί.

**MHN** χρησιμοποιείτε το καρότσι αν κάποια μέρη του έχουν σπάσει ή λείπουν.

Τα καθίσματα που χρησιμοποιούνται σε συνδυασμό με ένα πλαίσιο δεν αντικαθιστούν μια κούνια ή ένα κρεβάτι. Εάν το παιδί σας πρέπει να κοιμηθεί, τότε θα πρέπει να τοποθετηθεί σε κατάλληλο πορτ-μπεμπέ, κούνια ή κρεβάτι.

Κρατήστε τα μικρά εξαρτήματα μακριά από τα παιδιά, καθώς αποτελούν κίνδυνο πνιγμού.

Να κινήστε προσεκτικά στα κράσπεδα και το τραχύ έδαφος. Οι επαναλαμβανόμενες προσκρούσεις μπορεί να προκαλέσουν βλάβη στο καροτσάκι.

**MHN** αφήνετε το παιδί να στέκεται όρθιο επάνω στο καρότσι.

**MHN** μεταφέρετε περισσότερα από ένα παιδιά με το καρότσι.

**ΠΟΤΕ** μην χρησιμοποιείτε το καρότσι σε σκάλες ή κυλιόμενες σκάλες. Μπορεί να χάσετε ξαφνικά τον έλεγχο του καροτσιού ή το παιδί σας να πέσει έξω.

Οι ιμάντες πρέπει να τοποθετούνται και να προσαρμίζονται σωστά. Ο ιμάντας δεν αποτελεί υποκατάστατο της σωστής εποπτείας από ενήλικο.

Κατά την τοποθέτηση και την αφαίρεση του παιδιού πρέπει να ενεργοποιείται το φρένο.

Η υπερφόρτωση, το λανθασμένο κλείσιμο και η χρήση εξαρτημάτων π.χ. παιδικά καθίσματα, άγκιστρα τσάντας, καλύμματα βροχής, καροτσάκια κ.λπ., εκτός από εκείνα που έχουν εγκριθεί από τη Nuna, μπορεί να προκαλέσουν βλάβη ή να καταστήσουν το καρότσι μη ασφαλές.

Τα λάστιχα από καουτσούκ μπορεί να αφήνουν μαύρα σημάδια σε λείες επιφάνειες όπως παρκέ, πολυστρωματικό υλικό και λινέλαιο.

**ΚΙΝΔΥΝΟΣ ΣΤΡΑΓΓΑΛΙΣΜΟΥ** Μην τοποθετείτε αντικείμενα με κορδόνια γύρω από το λαιμό του παιδιού σας, αναρτάτε κορδόνια πάνω από το προϊόν ή δένετε παιχνίδια με κορδόνια.

Για να αποφύγετε τον κίνδυνο ασφυξίας, αφαιρέστε όλα τα πλαστικά καλύμματα πριν χρησιμοποιήσετε αυτό το αντικείμενο προϊόν και απορρίψτε τα ή κρατήστε τα μακριά από βρέφη και παιδιά.

Για να αποφύγετε κινδύνους ανατροπής, μην τοποθετείτε περισσότερο από 4,5 κιλά στο καλάθι αποθήκευσης και περισσότερο από 0,45 κιλά στην τσέπη αποθήκευσης.

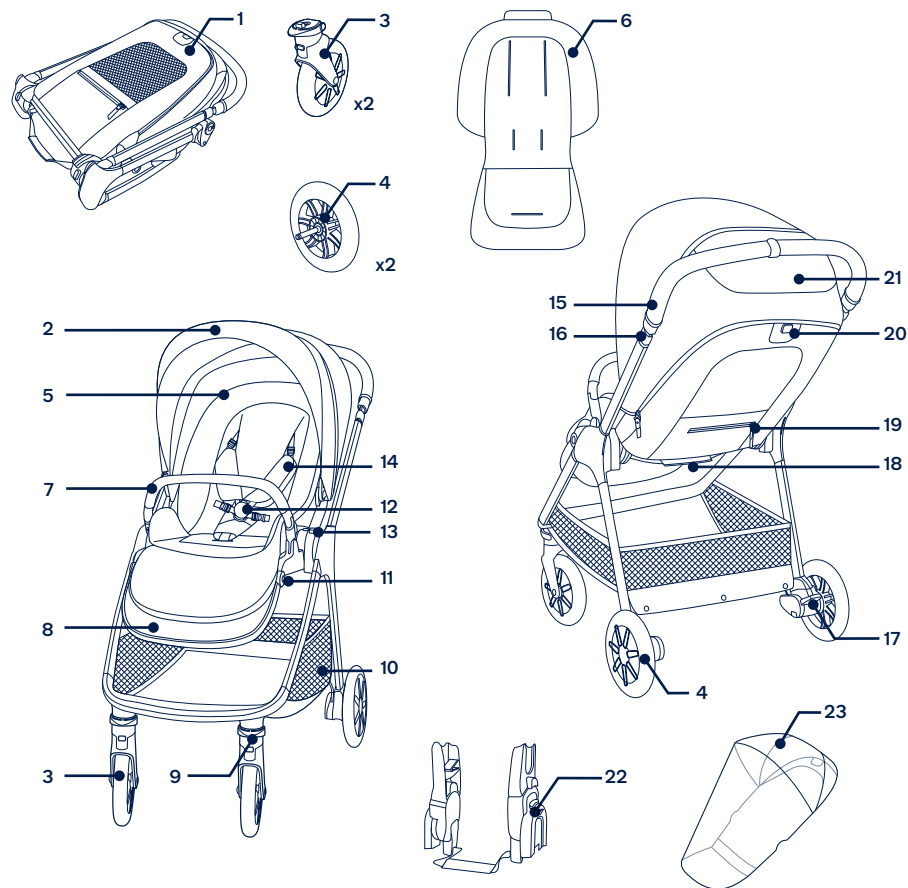
**ΧΡΗΣΙΜΟΠΟΙΕΙΤΕ** την πλέον ξαπλωτή θέση για τα βρέφη.

Χρησιμοποιήστε το καρότσι αν το παιδί σας ζυγίζει λιγότερο από 22 κιλά. Κίνδυνος πρόκλησης βλάβης στο καρότσι αν το παιδί ζυγίζει περισσότερο.

## Κατάλογος εξαρτημάτων

Πριν από τη συναρμολόγηση βεβαιωθείτε ότι όλα τα εξαρτήματα είναι διαθέσιμα. Εάν λείπει οποιοδήποτε εξάρτημα, παρακαλούμε επικοινωνήστε με το κατάστημα λιανικής πώλησης. Δεν απαιτούνται εργαλεία για τη συναρμολόγηση.

- |    |                                    |    |   |
|----|------------------------------------|----|---|
| 1  | Πλαίσιο καροτσιού                  | 13 | Κουμπί αποδέσμευσης καθίσματος                |
| 2  | Κουκούλα                           | 14 | Προστατευτικό ιμάντα ώμου                     |
| 3  | Μπροστινός τροχός (x2)             | 15 | Λαβή  |
| 4  | Πίσω τροχός (x2)                   | 16 | Κουμπί ρύθμισης λαβής                         |
| 5  | Μαξιλάρι καθίσματος                | 17 | Μοχλός φρένου                                 |
| 6  | Ένθεμα                             | 18 | Μοχλός κλεισίματος                            |
| 7  | Μπάρα χειριών                      | 19 | Θήκη αποθήκευσης (μέγιστο φορτίο = 0,45 κιλά) |
| 8  | Στήριγμα ποδιών                    | 20 | Κουμπί ρύθμισης ανάκλισης/Κουμπί κλεισίματος  |
| 9  | Κλείδωμα τροχών                    | 21 | Παράθυρο κουκούλας                            |
| 10 | Καλάθι αποθήκευσης                 | 22 | Προσαρμογείς στήριξης                         |
| 11 | Κουμπί ρύθμισης στήριγματος ποδιών | 23 | Κάλυμμα βροχής                                |
| 12 | Πόρπη                              |    |   |



### Ανοιγμα καροτσιού

- 1- Αποσυσκευάστε το πλαίσιο του καροτσιού. (1)
- 2- Περιστρέψτε τη λαβή προς τα πάνω για να ανοίξετε το πλαίσιο του καροτσιού. (2)
- 3- Τραβήξτε το κάθισμα για να το ανοίξετε. (3)

Ένας ήχος “κλικ” σημαίνει ότι το κάθισμα έχει ανοίξει σωστά.

Βεβαιωθείτε ότι το καροτσάκι είναι σωστά ασφαλισμένο πριν συνεχίσετε.

### Αλλαγή καθίσματος

Αν το επιθυμείτε, μπορείτε να αλλάξετε κάθισμα.

- 1- Πατήστε το κουμπί αποδέσμευσης καθίσματος (4)-1 και σηκώστε το κάθισμα προς τα πάνω (4)-2.
- 2- Αλλάξτε το κάθισμα και έπειτα το τοποθετήστε το στο πλαίσιο. (5)

Ένας ήχος “κλικ” σημαίνει ότι το κάθισμα έχει ασφαλίσει σωστά.

### Μπροστινοί τροχοί

- 1- Τοποθετήστε τον μπροστινό τροχό στο μπροστινό σκέλος. (6)  
Ένας ήχος “κλικ” σημαίνει ότι ο μπροστινός τροχός έχει τοποθετηθεί σωστά.  
Ελέγξτε ότι ο τροχός είναι ασφαλώς τοποθετημένος τραβώντας τον προς τα έξω. Επαναλάβετε στην άλλη πλευρά.
- 2- Για να αφαιρέσετε τον μπροστινό τροχό, πατήστε το κουμπί αποδέσμευσης (7)-1 και αποσυνδέστε τον μπροστινό τροχό από το μπροστινό σκέλος (7)-2.

### Πίσω τροχοί

- 1- Τοποθετήστε τον πίσω τροχό στο πίσω σκέλος. (8)  
Ένας ήχος “κλικ” σημαίνει ότι ο πίσω τροχός έχει τοποθετηθεί σωστά.  
Ελέγξτε ότι ο τροχός είναι ασφαλώς τοποθετημένος τραβώντας τον προς τα έξω. Επαναλάβετε στην άλλη πλευρά.
- 2- Για να αφαιρέσετε τον πίσω τροχό, πατήστε το κουμπί αποδέσμευσης (9)-1 και αποσυνδέστε τον πίσω τροχό από το πίσω σκέλος (9)-2.

### Μπάρα χειρών

- ! Ασφαλιζετε πάντα το παιδί με τον ιμάντα. Η μπάρα δεν είναι διάταξη συγκράτησης.
- 1- Ευθυγραμμίστε τα άκρα της μπάρας με τα στηρίγματα και κουμπώστε την στη θέση της. (10)  
Ένας ήχος “κλικ” σημαίνει ότι η μπάρα έχει τοποθετηθεί σωστά.
  - 2- Για να αφαιρέσετε την μπάρα, πιέστε τα κουμπιά αποδέσμευσης (11)-1 και αφαιρέστε την μπάρα (11)-2.

### Έλεγχος συναρμολόγησης

- Το πλαίσιο του καροτσιού είναι ανοιχτό
- Το κάθισμα του καροτσιού είναι καλά ασφαλισμένο
- Οι πίσω και οι μπροστινοί τροχοί είναι καλά ασφαλισμένοι
- Η μπάρα χειρών είναι καλά ασφαλισμένη

## Χρήση προϊόντος

### Ασφάλιση του παιδιού σας

- 1- Πιέστε το πάνω κουμπί της πόρπης (12)-1 για να ελευθερώσετε το μάνδαλο και αφαιρέστε τα μαγνητικά κλιπ (12)-2. Τοποθετήστε το παιδί στο καρότσι.
- 2- Τοποθετήστε τα μαγνητικά κλιπ μέσα στην πόρπη. (13)
- 3- Προσαρμόστε τον ιμάντα σφιχτά στο παιδί σας τραβώντας τους ιμάντες ρύθμισης (14)-1. Στη συνέχεια, τραβήξτε τους ιμάντες ρύθμισης μέσης προς τα έξω (14)-2.

### Θέση ιμάντα ώμου

- 1- Οι πόρπες των ιμάντων ώμων μπορούν να μετακινήθουν προς τα πάνω και προς τα κάτω για πρόσθετη ρύθμιση. (15)  
! Για να αποφύγετε σοβαρούς τραυματισμούς του παιδιού από πτώση ή ολίσθηση, χρησιμοποιείτε πάντα τους ιμάντες.  
Βεβαιωθείτε ότι ο ιμάντας έχει ρυθμιστεί σωστά και ότι το παιδί σας είναι καλά ασφαλισμένο. Βεβαιωθείτε ότι ο χώρος μεταξύ του παιδιού και του ιμάντα ώμου είναι περίπου το πάχος ενός δαχτύλου.

**MHN** σταυρώνετε τους ιμάντες ώμου. Αυτό θα ασκήσει πίεση στον αυχένα του παιδιού.

### Κουκούλα

- 1- Για να ανοίξετε την κουκούλα, τραβήξτε την προς το μπροστινό μέρος του καθίσματος και για να την διπλώσετε, σπρώξτε την προς τα πίσω. (16)
- 2- Ανοίξτε το φερμουάρ στην κουκούλα για πρόσθετη σκίαση. (17)
- 3- Για πρόσθετο αερισμό, ανοίξτε το κάλυμμα του παραθύρου της κουκούλας. (18)

### Ανάκλιση

Υπάρχουν 4 θέσεις κλίσης για την πλάτη.

- 1- Για να σηκώσετε ή να κατεβάσετε την πλάτη, πιέστε το κουμπί ρύθμισης κλίσης (19)-1 και τραβήξτε την πλάτη προς τα πάνω ή προς τα κάτω (19)-2.  
! Μην πατάτε το κουμπί απελευθέρωσης (19)-3 στη μέση του κουμπιού ρύθμισης ανάκλισης όταν ρυθμίζετε τη γωνία κλίσης. Βεβαιωθείτε ότι η κλίση έχει ρυθμιστεί σωστά.

### Στήριγμα ποδιών

Το στήριγμα ποδιών έχει 2 θέσεις.

- 1- Για να ανασηκώσετε το στήριγμα ποδιών, τραβήξτε το προς τα πάνω.
- 2- Για να κατεβάσετε το στήριγμα ποδιών, πατήστε το κουμπί ρύθμισης (20)-1 και σπρώξτε προς τα κάτω (20)-2.

### Λαβή

Η λαβή έχει 5 θέσεις.

- 1- Για να ρυθμίσετε το ύψος της λαβής, τραβήξτε το κουμπί ρύθμισης λαβής (21)-1 και τραβήξτε τη λαβή προς τα επάνω ή προς τα κάτω (21)-2.

### Φρένο

- 1- Για να κλειδώσετε τους πίσω τροχούς, κατεβάστε τον μοχλό φρένων με το πόδι σας. (22)
- 2- Για να ξεκλειδώσετε τους πίσω τροχούς, ανεβάστε τον μοχλό φρένων με το πόδι σας. (23)  
! Εφαρμόζετε πάντα το φρένο όταν καρότσι δεν κινείται. Σπρώξτε ελαφρά το καρότσι για να βεβαιωθείτε ότι το φρένο είναι ενεργοποιημένο.

### Ασφάλειες μπροστινών τροχών

Συνιστάται η χρήση των ασφαλειών των μπροστινών τροχών σε ανώμαλες επιφάνειες.

- 1- Τραβήξτε την ασφάλεια μπροστινών τροχών προς τα πάνω για να ασφαλίσετε τον μπροστινό τροχό. (24)
- 2- Πιέστε την ασφάλεια προς τα κάτω για ξεκλειδώμα. (25)

### Αναδίπλωση

Το καρότσι μπορεί να κλείσει με το κάθισμα στραμμένο προς τα εμπρός ή προς τα πίσω ή χωρίς το κάθισμα. Πριν κλείσετε το καρότσι, ρυθμίστε τη λαβή στη χαμηλότερη θέση και βεβαιωθείτε ότι οι ασφάλειες των μπροστινών τροχών είναι ξεκλειδωμένες.

- 1- Διπλώστε την κουκούλα. (26)
- 2- Πατήστε το κουμπί κλεισίματος (27)-1 στη μέση του κουμπιού ρύθμισης κλίσης και, στη συνέχεια, πιέστε το κουμπί ρύθμισης κλίσης (27)-2.
- 3- Διπλώστε το κάθισμα. (28)
- 4- Τραβήξτε τον πτυσσόμενο ιμάντα του καθίσματος για να διπλώσετε το καρότσι. (29)
- 5- Το καρότσι με το κάθισμα στραμμένο προς τα εμπρός μπορεί να σταθεί επάνω στους τροχούς, και με το κάθισμα στραμμένο προς τα πίσω στη λαβή και τους πίσω τροχούς. (30)
- 6- Πατήστε τα κουμπιά αναδίπλωσης των στηριγμάτων του καθίσματος. (31)
- 7- Διπλώστε το καρότσι. (32)  
! Το καρότσι χωρίς κάθισμα μπορεί να σταθεί επάνω στη λαβή και τους μπροστινούς τροχούς.

### Ένθεμα

- 1- Για να συναρμολογήσετε το ένθεμα, τοποθετήστε το ένθεμα πάνω από το κάθισμα και περάστε τους ιμάντες ώμου, μέσης και καβάλου μέσω των αντίστοιχων υποδοχών. (33)

## Εξαρτήματα

! Δεν περιλαμβάνονται όλα τα εξαρτήματα σε ορισμένα μοντέλα.

### Προσαρμογείς στήριξης

Για τη συναρμολόγηση και τη χρήση του ριλάξ της Nuna και του πορτ-μπεμπέ TRIV, παρακαλούμε ανατρέξτε στο εγχειρίδιο οδηγιών των αντίστοιχων προϊόντων.

- 1- Για να τοποθετήσετε τους προσαρμογείς, τοποθετήστε τους προσαρμογείς στήριξης στις υποδοχές καθίσματος. Ένας ήχος “κλικ” σημαίνει ότι οι προσαρμογείς έχουν ασφαλίσει σωστά. (34) (35)
- 2- Για να τοποθετήσετε το ριλάξ, τοποθετήστε το ριλάξ επάνω στους προσαρμογείς στήριξης. Ένας ήχος “κλικ” σημαίνει ότι το ριλάξ έχει ασφαλίσει σωστά. (36)
- 3- Για να τοποθετήσετε το πορτ-μπεμπέ, τοποθετήστε το πορτ-μπεμπέ επάνω στους προσαρμογείς στήριξης. Ένας ήχος “κλικ” σημαίνει ότι το πορτ-μπεμπέ έχει ασφαλίσει σωστά. (37)
- 4- Η γωνία του καλαθιού και του πορτ μπεμπέ μπορεί να ρυθμιστεί με τους ρυθμιζόμενους προσαρμογείς. (38)
- 5- Όταν χρησιμοποιείται στραμμένο προς τα πίσω, τα ιμάμματα στους προσαρμογείς στήριξης είναι τα ίδια με εκείνα στο πλαστικό πλαίσιο. (39)
- 6- Όταν χρησιμοποιείται στραμμένο προς τα μπροστά, τα γράμματα στους προσαρμογείς στήριξης είναι στην αντίθετη κατεύθυνση από εκείνα στο πλαστικό πλαίσιο. (40)
- 7- Για να αφαιρέσετε το ριλάξ, πιέστε τα κουμπιά αποδέσμευσης στο ριλάξ (41)-1 και ανασηκώστε το (41)-2.
- 8- Για να αφαιρέσετε το πορτ-μπεμπέ, πιέστε τα κουμπιά αποδέσμευσης στο πορτ-μπεμπέ (42)-1 και ανασηκώστε το (42)-2.
- 9- Για να αφαιρέσετε τους προσαρμογείς στήριξης, τραβήξτε τα κουμπιά αποδέσμευσης (43)-1 και ανασηκώστε τους (43)-2.  
! Αφαιρέστε το ριλάξ και το πορτ-μπεμπέ πριν κλείσετε το καρότσι.

## Κλείσιμο καροτσιού με τους προσαρμογείς στήριξης

Προτού κλείσετε το καρότσι με τους προσαρμογείς, ρυθμίστε τη λαβή στη χαμηλότερη θέση και βεβαιωθείτε ότι οι ασφάλειες των μπροστινών τροχών είναι κλειδωμένες.

- 1 - Τραβήξτε τον πτυσσόμενο ιμάντα στους προσαρμογείς στήριξης για να διπλώσετε το καρότσι. (44)

! Το καρότσι με τους προσαρμογείς στήριξης μπορεί να στάθει επάνω στη λαβή και τους μπροστινούς τροχούς.

### TRIV Κάλυμμα βροχής

Βεβαιωθείτε ότι η κουκούλα είναι εντελώς ανοιχτή πριν τοποθετήσετε το κάλυμμα βροχής.

- 1 - Βεβαιωθείτε ότι η κουκούλα είναι εντελώς ανοιχτή πριν τοποθετήσετε το κάλυμμα βροχής. (45)

! Για να συναρμολογήσετε το κάλυμμα βροχής, τοποθετήστε το επάνω στο καρότσι.

**ΠΑΝΤΑ** να ελέγχετε τον αερισμό όταν το κάλυμμα βροχής είναι επάνω στο προϊόν.

**ΠΑΝΤΑ** να ελέγχετε ότι το κάλυμμα βροχής είναι καθαρό και στεγνό πριν το διπλώσετε.

**MHN** κλείνετε το καρότσι όταν είναι τοποθετημένο το κάλυμμα βροχής.

## Αφαίρεση και συναρμολόγηση μαλακών στοιχείων

Για την αφαίρεση των μαλακών στοιχείων, ακολουθήστε τα βήματα (46) - (59) όπως φαίνονται στις εικόνες και για να τοποθετήσετε τα μαλακά στοιχεία, ακολουθήστε τα βήματα παραπάνω με την αντίστροφη σειρά.

## Καθαρισμός και συντήρηση

Καθαρίστε το πλαίσιο, τα πλαστικά μέρη και το ύφασμα με ένα υγρό πανί, αλλά μην χρησιμοποιείτε λειαντικά ή λευκαντικά. Μην χρησιμοποιείτε λιπαντικά πυριτίου, καθώς προσεγκύουν ακαθαρσίες και σκόνη. Μην αποθηκεύετε το καρότσι σε υγρό μέρος.

Καθαρίζετε τακτικά τους τροχούς του καροτσιού και απομακρύνετε τυχόν ακαθαρσίες.

Για να εξασφαλίσετε μακροχρόνια χρήση, σκουπίζετε το καρότσι με ένα μαλακό απορροφητικό ύφασμα όταν το χρησιμοποιείτε με βροχερό καιρό.

Για οδηγίες πλυσίματος και στεγνώματος, ανατρέξτε στην επικέτα περιποίησης που είναι τοποθετημένη στο ύφασμα.

Είναι φυσιολογικό το ύφασμα να ξεθωριάσει από το ηλιακό φως και να παρουσιάσει φθορά μετά από μακρά περίοδο χρήσης, ακόμα και όταν χρησιμοποιείται κανονικά.

Για λόγους ασφαλείας, χρησιμοποιείτε μόνο αυθεντικά εξαρτήματα της Nuna.

Ελέγχετε τακτικά ότι όλα λειτουργούν σωστά. Αν παρατηρήσετε οποιοδήποτε σκίσιμο, φθορά ή απουσία εξαρτημάτων, σταματήστε να χρησιμοποιείτε το προϊόν.

# ÖNEMLİ! DİKKATLE OKUYUN VE İLERİDE BAŞVURMAK ÜZERE SAKLAYIN

## Ürün Bilgisi

Model Numarası: \_\_\_\_\_

Üretim Tarihi: \_\_\_\_\_

### Garanti

Yüksek kaliteli ürünlerimizi, hem çocuğunuzla hem de ailenizle birlikte büyüebilmeleri için bilerek tasarladık. Ürünümüzün yanında olduğumuzdan, donanımımız satın alındığı günden itibaren ürün başına özel bir garanti kapsamındadır. Lütfen bizimle iletişime geçtiğinizde satın alma kanıtını, model numarasını ve üretim tarihini yanınızda bulundurun.

Garanti bilgileri için lütfen şu adrese gidin:  
www.nunababy.com  
Ana sayfadaki "Garanti" linkine tıklayın.

### İletişim

Yedek parça, servis veya ek garanti soruları için, lütfen müşteri hizmetleri departmanımızla iletişime geçin.

info@nunababy.com  
www.nunababy.com

## Çocuk Kullanım Gereklilikleri

Bu bebek arabası koltuğu, aşağıdaki gereklilikleri karşılayan çocuklarla birlikte kullanım için uygundur:

Hangisi önce gelirse, 22 kg'a veya 4 yaşına kadar doğum

Bebek arabası çerçevesini portatif karyola ya da Nuna bebek taşıyıcı modülleriyle kullanırken, bu kullanım kılavuzlarında listelenen çocuk kullanım gereksinimlerine bakın.

## ⚠ UYARI

**Bu uyarılara ve talimatlara uyulmaması, ciddi yaralanma ya da ölümlle sonuçlanabilir.**

Daima emniyet kemeri sistemini kullanın.

Her kullanımdan önce port-bebe veya oturma ünitesi veya oto güvenlik koltuğu donatılarının doğru şekilde bağlı olduğunu kontrol edin.

Çocuğunuzun bu ürünle oynamasına izin vermeyin.

Kullanmadan önce tüm kilitleme mekanizmalarının bağlı olduğundan emin olun.

Asla çocuğunuzun gözetimsiz bırakmayın.

Bu ürün koşu veya paten için uygun değildir.

Yaralanmayı önlemek için bu ürünü açarken ve katlarken çocuğunuzun uzakta olduğundan emin olun.

Üretici tarafından onaylanmamış aksesuarlar kullanılmamalıdır. Yalnızca üretici/distribütör tarafından tedarik edilen veya önerilen yedek parçalar kullanılmalıdır.

Montaj işlemi yetişkin tarafından yapılmalıdır.

Dururken **HER ZAMAN** park frenini çekin.

Nuna tarafından tedarik edilmeyen aksesuarların kullanımından kaynaklanan herhangi bir hasar garanti kapsamında olmayacaktır.

Kulpa, arkalığın sırt kısmına ve/veya arabanın yan taraflarına takılan yükler arabanın dengesini etkileyecektir.

Çocuğunuzun bebek arabasına yaklaşmasına izin vermeden önce, bebek arabasının tamamen dikleştiğinden ve mandalla kilitlendiğinden emin olun.

Bu kılavuzda izin verilen durumlar dışında, bebek arabasının içinde veya üzerinde fazladan çocuk, eşya, aksesuar **TAŞIMAYIN**. Bebek arabasının dengesiz olmasına neden olabilirler.

Bebek arabasını, radyatör veya ateş gibi güçlü bir ısı kaynağının yakınında ortada **BIRAKMAYIN**.

Tentenin üzerine herhangi bir eşya **KOYMAYIN**.

Bebek arabasını nemli bir yerde **SAKLAMAYIN**. Kumaşın her zaman doğrudan ısıdan uzakta doğal olarak kurumasını sağlayın.

Depolama sepetini çocuk taşıyıcı olarak **KULLANMAYIN**.

Herhangi bir parça hasarlı ya da eksikse bebek arabasını **KULLANMAYIN**.

Bu araba, bir ana gövde ile birlikte kullanılan araç koltukları için bir karyola veya yatak yerine geçmez. Çocuğunuzun uyuması gerektiğinde, uygun bir çocuk arabası gövdesine, karyolaya veya yatağa yerleştirilmelidir.

Küçük parçaları, boğulma tehlikesi oluşturduğundan çocuklardan uzak tutun.

Kaldırım taşlarından ve engebeli zeminlerden dikkatlice geçin. Tekrarlanan darbe, bebek arabasına zarar verebilir.

Çocukların bebek arabası üzerinde ayağa kalkmasına **ASLA** izin vermeyin.

Bebek arabasında **ASLA** bir seferde birden fazla çocuk taşımayın.

Bebek arabasını merdiven ya da yürüyen merdivenlerde **ASLA** kullanmayın. Bebek arabasının kontrolünü aniden kaybedebilirsiniz veya çocuğunuz düşebilir.

Emniyet kemeri her zaman doğru şekilde takılmalı ve ayarlanmalıdır. Emniyet kemeri uygun yetişkin gözetiminin yerine geçmez.

Çocukları yerleştirirken ve kaldırırken park freni devreye sokulmalıdır.

Aşırı yükleme, yanlış katlama ve çocuk koltukları, çanta kancaları, yağmur örtüleri, tekerlekli çocuk basamağı, vb. gibi Nuna tarafından onaylanarlardan farklı aksesuarların kullanılması bebek arabasına zarar verebilir veya bunu emniyetsiz hale getirebilir.

Araba lastikleri parke, laminat ve muşamba gibi pürüzsüz yüzeyler üzerinde siyah ayak sürtme izleri bırakabilir.

**BOĞULMA TEHLİKESİ** Çocuğunuzun boynunun etrafında ipli nesnelere bulundurmuyun, bu üründen ipler sarkıtmayın veya oyuncaklara ip bağlamayın.

Herhangi bir boğulma tehlikesinden kaçınmak için, bu ürünü kullanmadan önce tüm plastik kapakları çıkarıp yok edin veya bebeklerden ve çocuklardan uzak tutun!

Tehlikeli ve dengesiz bir durumu önlemek için, depolama sepetine 4,5 kg dan, depolama cebine 0,45 kg dan fazla yük koymayın.

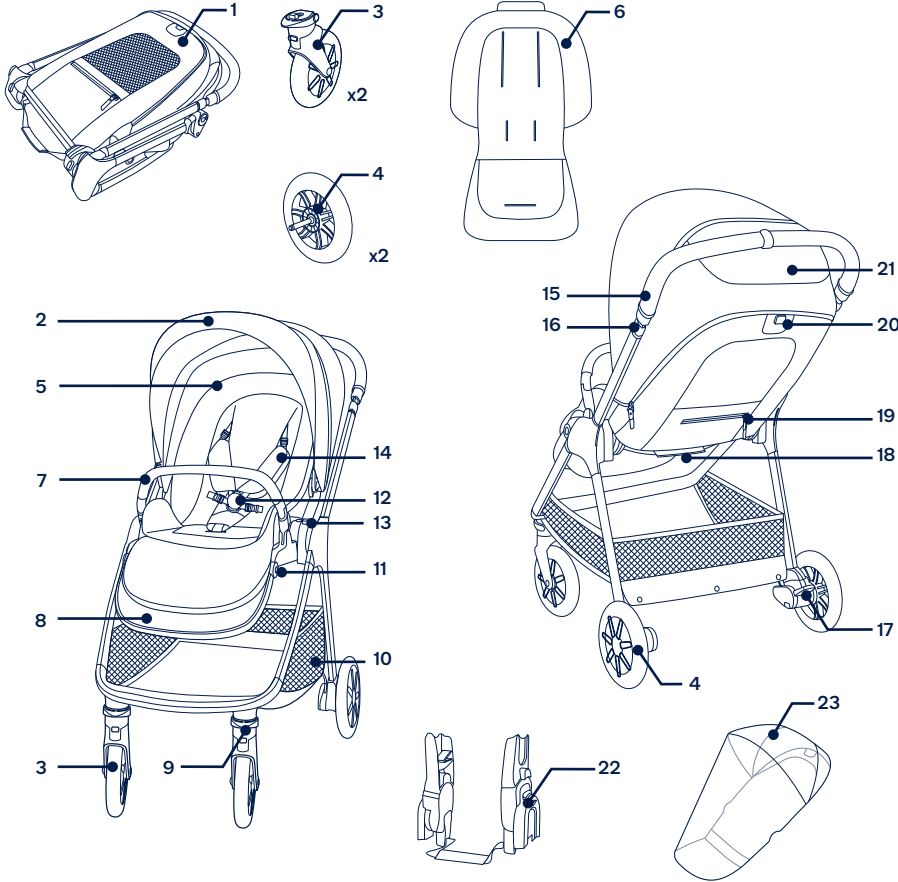
Yeni doğan bebekler için en yatık pozisyonu **KULLANIN**.

Bebek arabasını en fazla 22 kg ağırlığında bir çocukla kullanın. Uygun olmayan bir çocuğa sahip olan bebek arabasına zarar verir.

## Parça Listesi

Monte etmeden önce tüm parçaların hazır bulunduğundan emin olun. Eksik parça varsa lütfen yerel satıcınıza başvurun. Montaj için alet gerekli değildir.

1	Bebek Arabası Çerçevesi	13	Koltuk Serbest Bırakma Düğmesi
2	Tente	14	Omuz Kayışı Padi
3	Ön Tekerlek (x2)	15	Kulp
4	Arka Tekerlek (x2)	16	Kulp Ayarlama Düğmesi
5	Koltuk Minderi	17	Fren Kolu
6	Ek	18	Katlama Ağı
7	Kol Çubuğu	19	Depolama Cebi (maksimum yük = 0,45 kg)
8	Baldır Desteği	20	Yatırma Ayar Düğmesi/Katlama Serbest Bırakma Düğmesi
9	Döndürme Kilitli	21	Tente Penceresi
10	Depolama Sepeti	22	Direk Adaptörleri
11	Baldır Desteği Ayar Düğmesi	23	Yağmurluk
12	Toka		



## Ürün Kurulumu

### Bebek Arabasını Açma

- 1- Bebek arabası gövdesini çekip çıkarın. (1)
- 2- Bebek arabası gövdesini açmak için kulpu yukarı döndürün. (2)
- 3- Açmak için koltuğu çekin. (3)  
Duyulan "klik" sesi, koltuğun açıldığı anlamına gelir.  
Devam etmeden önce, bebek arabasının mandalının tamamen açık olduğunu kontrol edin.

### Koltuk Değişimi

Gerekirse lütfen koltuk yönünü değiştirin.

- 1- Koltuğu serbest bırakma düğmesine basın (4)-1 ve koltuğu yukarı doğru kaldırın (4)-2.
- 2- Koltuğu ters çevirin ve ardından gövdeye takın. (5)  
Duyulan "klik" sesi koltuğun tamamen sabitlendiği anlamına gelir

### Ön Tekerlekler

- 1- Ön tekerleği ön ayağın içine yerleştirin. (6)  
Duyulan "klik" sesi, ön tekerleğin tamamen monte edildiği anlamına gelir.  
Çekip çıkararak tekerleğin sıkıca takıldığını kontrol edin. Diğer tarafta da aynı işlemi tekrarlayın.
- 2- Ön tekerleği çıkarmak için, serbest bırakma düğmesine basın (7)-1 ve ön tekerleği ön ayakta çıkarın (7)-2.

### Arka Tekerlekler

- 1- Arka tekerleği arka ayağın içine yerleştirin. (8)  
Duyulan "klik" sesi, arka tekerleğin tamamen monte edildiği anlamına gelir.  
Çekip çıkararak tekerleğin sıkıca takıldığını kontrol edin. Diğer tarafta da aynı işlemi tekrarlayın.
- 2- Arka tekerleği çıkarmak için, serbest bırakma düğmesine basın (9)-1 ve arka tekerleği arka ayakta çıkarın (9)-2.

### Kol Çubuğu

- 1- Çocuğu her zaman emniyet kemeriyle emniyet altına alın. Kol çubuğu bir emniyet donanımı değildir.  
1- Kol çubuğu uçlarını kol çubuğu bağlantılarıyla hizalayın ve yerine oturuncaya kadar yerleştirin. (10)  
Duyulan "klik" sesi, kol çubuğunun tamamen monte edildiği anlamına gelir.
- 2- Kol çubuğunu çıkarmak için, kol çubuğunu serbest bırakma düğmelerine basın (11)-1 ve kol çubuğunu çıkarın (11)-2.

### Kurulum Kontrolü

- Bebek arabası gövdesinin mandalı açık
- Bebek arabası koltuğu sıkıca takılmış
- Arka ve ön tekerlekler sıkıca takılmış
- Kol çubuğu sıkıca takılmış

## Ürün Kullanımı

### Çocuğunuzu Sabitleme

- 1- Toka mandalını açmak için tokenın (12)-1 üzerindeki üst düğmeye basın ve manyetik klipsleri (12)-2 çıkarın. Çocuğunuzu bebek arabasına yerleştirin.
- 2- Manyetik klipsleri tokenın içine yerleştirin. (13)
- 3- Ayar kayışlarını çekerek sıkıştırın ve emniyet kemeri çocuğunuza sıkıca takın (14)-1. Ardından bel ayar kayışlarını çekip çıkarın (14)-2.

### Omuz Kayışı Konumu

- 1- Üst omuz kayışı tokaları, ek ayar için yukarı ve aşağı hareket ettirilebilir. (15)

! Düşme veya kayma sonucu oluşacak ciddi yaralanmaları önlemek için, çocuğunuzu her zaman emniyet kemeriyle sabitleyin.

Emniyet kemerinin doğru ayarlandığından ve çocuğunuzun sıkıca sabitlendiğinden emin olun. Çocuk ve omuz kayışı arasındaki mesafe yaklaşık bir parmak kalınlığında olmalıdır.

Omuz kemerlerini ÇAPRAZLAMAYIN. Bu, çocuğun boynuna basınç uygulayacaktır.

### Tente

- 1- Tenteyi açmak için, tenteyi koltuğun önüne doğru çekin ve katlamak için geri itin. (16)
- 2- Ekstra gölge için tente üzerindeki fermuarı açın. (17)
- 3- Ek havalandırma için, tente penceresinin kapağını yukarı döndürün. (18)

### Yatırma

Arkalık için 4 adet yatırma pozisyonu vardır.

- 1- Arkalığı kaldırmak veya indirmek için, yatırma ayar düğmesini sıkın (19)-1 ve arkalığı yukarı veya aşağı çekin (19)-2.  
! Yatırma açısını ayarlarken, lütfen yatırma ayar düğmesinin ortasındaki düğmeye (19)-3 basmayın. Yatırma açısının kullanıma uygun olarak ayarlandığından emin olun.

## Baldır Desteği

Baldır desteği 2 kullanım konumuna sahiptir.

- 1- Baldır desteğini kaldırmak için, yukarı doğru kaldırın.
- 2- Baldır desteğini indirmek için, ayar düğmesine basın (20)-1 ve aşağı itin (20)-2.

## Kulp

Kulp 5 konuma sahiptir.

- 1- Kulpu yüksekliğini ayarlamak için, kulp ayar düğmesini çekin (21)-1 ve kulpu yukarı veya aşağı çekin (21)-2.

## Fren

- 1- Arka tekerlekleri kilitlemek için, fren koluna basın. (22)
- 2- Arka tekerleklerin kilidini açmak için, fren kolunu yukarı doğru kaldırın. (23)

! Bebek arabası durduğunda her zaman fren uygulayın. Frenin devreye girdiğinden emin olmak için bebek arabasını hafifçe itin.

## Ön Döndürme Kilitleri

Ön döndürme kilitlerinin düz olmayan yüzeylerde kullanılması önerilir.

- 1- Ön tekerleği kilitlemek için ön döndürme kilidini yukarı çekin. (24)
- 2- Kilidi açmak için ön döndürme kilidini aşağı itin. (25)

## Katlama

Bebek arabası, öne bakan koltuk veya arkaya bakan koltukla veya koltuksuz olarak katlanabilir. Bebek arabasını katlamadan önce, kulpu en alçak konuma ayarlayın ve ön döndürme kilitlerinin kilidinin açıldığından emin olun.

- 1- Tenteyi katlayın. (26)
  - 2- Yatırma ayar düğmesinin ortasındaki katlamayı serbest bırakma düğmesine (27)-1 basın ve ardından yatırma ayar düğmesini sıkın(27)-2.
  - 3- Koltuğu katlayın. (28)
  - 4- Bebek arabasını katlamak için koltuğun katlama ağını çekin. (29)
  - 5- Öne bakan koltuğu olan bebek arabası, tekerleklerin yanında olabilir, arkaya bakan koltuğu olan bebek arabası ise kulp ve arka tekerlekler yanında olabilir. (30)
  - 6- Koltuk bağlantılarının katlama düğmelerine basın. (31)
  - 7- Bebek arabasını katlayın. (32)
- ! Puset, koltuk olmadan kol ve ön tekerleklerle ayakta durabilir.

## Insert

- 1- Eklenti monte etmek için, koltuğun üzerine yerleştirin ve omuz, bel ve kasık kayışlarını ilgili yuvalarından geçirin. (33)

## Aksesuarlar

! Bazı modellerde tüm aksesuarlar bulunmaz.

## Direk Adaptörleri

Nuna bebek taşıyıcı ve TRIV portatif karyola montajı ve kullanımı için, lütfen bebek taşıyıcıya ve portatif karyola kullanım talimatına bakın.

- 1- Direk adaptörlerini takmak için, direk adaptörlerini koltuk bağlantıları üzerine yerleştirin. Duyulan "klik" sesi, direk adaptörlerinin sabitlendiği anlamına gelir. (34)(35)
  - 2- Bebek taşıyıcıyı takmak için, bebek taşıyıcıyı direk adaptörleri üzerine yerleştirin. Duyulan "klik" sesi, bebek taşıyıcının sabitlendiği anlamına gelir. (36)
  - 3- Portatif karyolayı takmak için, portatif karyolayı direk adaptörleri üzerine yerleştirin. Duyulan "klik" sesi, portatif karyolanın sabitlendiği anlamına gelir. (37)
  - 4- Bebek arabası ve portbebe, ayarlanabilir adaptörlerimiz ile ayarlanabilir. (38)
  - 5- Arkaya dönük modda kullanıldığında, direk adaptörlerindeki harfler çerçeve plastiğindeki harflerle aynıdır. (39)
  - 6- Öne dönük modda kullanıldığında, direk adaptörlerindeki harfler çerçeve plastiğindeki harflerle zıttır. (40)
  - 7- Bebek taşıyıcıyı çıkarmak için, bebek taşıyıcı üzerindeki serbest bırakma düğmelerini itin (41)-1 ve yukarı doğru kaldırın (41)-2.
  - 8- Portatif karyolayı çıkarmak için, portatif karyolanın yan tarafındaki serbest bırakma düğmelerine basın (42)-1 ve yukarı doğru kaldırın (42)-2.
  - 9- Direk adaptörlerini çıkarmak için, adaptörü serbest bırakma düğmelerini çekin (43)-1 ve yukarı doğru kaldırın (43)-2.
- ! Katlamadan önce bebek taşıyıcıyı ve portatif karyolayı çıkarın.

## Bebek arabasını Direk adaptörleri ile katlama

Post adaptörlü puseti katlamadan önce, kolu en alt konuma ayarlayın ve ön döner kilitlerin kilitti olduğundan emin olun.

- 1- Bebek arabasını katlamak için direk adaptörlerinin koltuğun katlama ağını çekin. (44)
- ! Post adaptörlü bebek arabası, kol ve ön tekerlekler üzerinde ayakta durabilir.

## TRIV Yağmurluk

Yağmurluğu takmadan önce tentenin tamamen açık olduğundan emin olun.

- 1- Yağmurluğu kurmak için, bebek arabasının üzerine yerleştirin. (45)

! Yağmurluk ürünün üzerindeyken havalandırmayı DAİMA kontrol edin.

Katlamadan önce HER ZAMAN yağmurluğun temizlenmiş ve kurumuş olduğunu kontrol edin.

Yağmurluk takılıyken bebek arabasını KATLAMAYIN.

Sıcak havalarda yağmurluk takılıyken çocuğunuzu bebek arabasına YERLEŞTİRMEYİN.

## Tekstil Ürünlerini Çıkarma ve Monte Etme

Yumuşak koltuk kılıflarını sökmek için, (46) - (59)'deki adımları takip edin ve yumuşak koltuk kılıflarını tekrar monte etmek için yukarıdaki adımları tersten uygulayın.

## Temizlik ve Bakım

Gövdeyi, plastik parçaları ve kumaşı nemli bir bezle temizleyin ancak aşındırıcılar veya çamaşır suyu kullanmayın. Kir ve kir tabakalarını çekeceklerinden silikon yağlayıcılar kullanmayın. Bebek arabasını nemli bir yerde saklamayın.

Bebek arabasının tekerleklerini, düzenli olarak suyla temizleyin ve kirleri çıkarın.

Uzun süreli kullanım sağlamak için, bebek arabasını yağmurlu havalarda kullandıktan sonra yumuşak, emici bir bezle silin.

Yıkama ve kurutma talimatları için tekstil ürünlerine ilâştirilmiş bakım etiketine bakın.

Kumaşın güneş ışığından dolayı renk değiştirmesi ve normal bir şekilde kullanıldığında bile, uzun süre kullanıldıktan sonra aşınması ve yıpranması normaldir.

Güvenlik nedeniyle, yalnızca orijinal Nuna parçaları kullanın.

Her şeyin düzgün çalışıp çalışmadığını düzenli olarak kontrol edin. Yırtılmış, kırılmış veya eksik herhangi bir parça varsa, bu ürünü kullanmayı bırakın.



# FONTOS - OLVASSA EL FIGYELMESEN ÉS TARTSA MEG A KÉSŐBBIEKRE.

## Termékinformáció

Modellszám: \_\_\_\_\_

Gyártás dátuma: \_\_\_\_\_

### Garancia

Úgy terveztük a magas minőségű termékeinket hogy együtt nővekedjenek a gyerekekkel és családjával. Mivel mi ott állunk a termékünk mögött, a felszerelést személyre szabott garancia fedi, attól a naptól kezdve amikor megvásárolta. Kérjük tartsa készenlétben a vásárlási bizonylatot, modellszámot és gyártás dátumát amikor felveszi velünk a kapcsolatot.

A garanciára vonatkozó információkért kérjük látogasson el erre az oldalra:  
[www.nunababy.com](http://www.nunababy.com)  
A honlapon kattintson a „Garancia” linken.

### Kapcsolat

Cserealkatrészekért, szervizért vagy további, a garanciára vonatkozó kérdéseikért kérjük vegye fel a kapcsolatot a vevőszolgálat szervizszolgálatával.

[info@nunababy.com](mailto:info@nunababy.com)  
[www.nunababy.com](http://www.nunababy.com)

## Gyerekekkel való használat követelményei

Ez a gyerekkocsi ülés megfelelő olyan gyerekek számára akik megfelelnek az alábbi követelményeknek:

Születéstől 22 kg vagy 4 év, amelyik előbb bekövetkezik.

Amikor a gyerekkocsi keretét a TRIV hordozókosárral vagy a Nuna csecsemőhordozóval használja, tanulmányozza a kézikönyvben felsorolt gyerekekkel való használat követelményeket.

## ⚠ FIGYELMEZTETÉSEK

A figyelmeztetések és útmutatások figyelmen kívül hagyása komoly sérülést vagy halált okozhat.

Mindig használja az ülésrendszert.

Használat előtt ellenőrizze, hogy a gyerekkocsi szerkezete és az ülés vagy autós gyerekülés tartozék eszközei helyesen vannak összeszerelve.

Ne engedje a gyermeket játszani ezzel a termékkel.

Használat előtt győződjön meg, hogy minden záró eszköz be van kapcsolva.

Soha ne hagyja a gyermekét felügyelet nélkül.

Ez a termék nem megfelelő kocogásra vagy görkorcsolyázásra.

A sérülések elkerülése érdekében bizonyosodjon meg, hogy a gyerek távol van tartva amikor összehajtja vagy kinyitja a terméket.

A gyártó által nem jóváhagyott tartozékokat ne használja. Csak a gyártó/forgalmazó által szállított vagy ajánlott cserealkatrészeket használja.

Az összeszerelést felnőtt személynek kell elvégeznie.

**MINDIG** állítsa be a parkoló féket amikor megáll.

Bármilyen sérülésre, amit a nem a Nuna által szállított tartozékok használta okoz, a garancia nem vonatkozik.

Bármilyen teher amit a fogantyúra, a háttámlára és/vagy a jármű oldalára helyez, a jármű stabilitását befolyásolhatja.

Győződjön meg, hogy a gyerekkocsi teljesen ki van emelve és rögzítve van, mielőtt a gyermeket a gyerekkocsi közelébe engedí.

**NE** vigyen más gyermeket, tárgyakat, tartozékokat a gyerekkocsiban vagy gyerekkocsin, kivéve amit az útmutató megenged. Ezek instabillá tehetik a gyerekkocsit.

**NE** hagyja a gyerekkocsit kitéve erős hőforrás közelében pl. hősugárzó vagy nyílt tűz.

**NE** helyezzen semmit az ülőkére.

**NE** tárolja a gyerekkocsit nedves helyen. Mindig hagyja a szövetet természetes módon megszáradni, közvetlen hőtől távol.

**NE** használja a tároló kosarat gyerekhordozónak.

**NE** használja a gyerekkocsit ha bármely része sérült vagy hiányzik.

A csecsemőhordozó és alvász együttes használatához ez a jármű nem helyettesíti a kosarat vagy ágyat. Ha a gyerekek alvásra van szüksége, helyezze megfelelő gyerekágyba, kosárba vagy ágyba.

Tartsa a kisebb részeket távol gyerekektől, mert ezek fulladásveszélyt jelentenek.

Figyelmesen menjen kanyarban és nehéz terepen. Az ismételt ütés sérülést okozhat a gyerekkocsiban.

**SOHA** ne engedje gyermekének, hogy felálljon a gyerekkocsiban.

**SOHA** ne vigyen több mint egy gyermeket egyszerre a gyerekkocsiban.

**SOHA** ne használja a gyerekkocsit lépcsőkön vagy mozgólépcsőkön. Hirtelen elveszítheti a gyerekkocsi fölötti uralmát vagy a gyerek kieshet.

A hámszíjat mindig helyesen kell feltenni és beállítani. A hámszínem helyettesíti a megfelelő felnőtt felügyeletet.

A parkoló féket kapcsolja be amikor behelyezi és kiveszi a gyereket.

A túlterhelés, helytelen összehajtás és olyan tartozékok használata amit a Nuna nem hagyott jóvá, pl. gyerekülések, csomaghorgok, esővédő burkolatok, felléptető, stb... károsíthatja vagy veszélyessé teheti a gyerekkocsit.

A gumikerekek fekete nyomot hagyhatnak az olyan sima felületeken mint parkett, laminált parkett és linóleum.

**FULLADÁSVESZÉLY** Ne tegyen zsinórral ellátott tárgyakat a gyermek nyaka köré, ne függessen fel zsinórokat a termékre, vagy ne csatoljon zsinórokat a játékokhoz.

A fulladásveszély elkerülésére távolítson el minden műanyag fedelet mielőtt használná a terméket és tartsa távol gyermekektől!

Hogy megelőzzön egy veszélyes, instabil helyzetet, ne tegyen 4,5 kg-nál nagyobb súlyt a tároló kosárba és 0,45 kg-nál nagyobb súlyt a tároló kosárba.

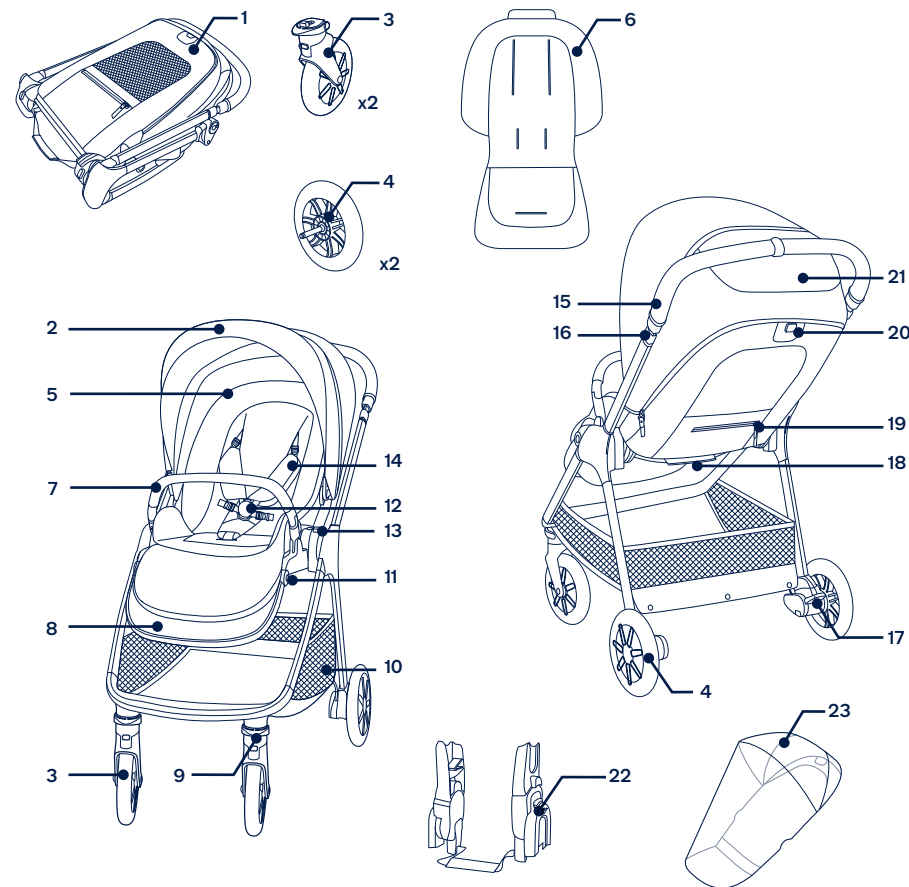
**HASZNÁLJA** a legjobban megdöntött helyzetet újszülött gyerekeknél.

A gyerekkocsit 22kg-nál könnyebb gyerekekkel használja. A nem beleváló gyerekekkel a gyerekkocsiban kárt okozhat.

## Alkatrészek listája

Győződjön meg, hogy minden alkatrész rendelkezésre áll, mielőtt nekilát az összeszerelésnek. Amennyiben valamelyik alkatrész hiányzik, kérjük vegye fel a kapcsolatot a helyi kereskedővel. Az összeszereléshez nincs szükség semmilyen szerszámmra.

- |    |                      |    |  |
|----|----------------------|----|--|
| 1  | Gyerekkocsi keret    | 13 | Ülés kioldó gomb                           |
| 2  | Ülőke                | 14 | Vállhámszín párna                          |
| 3  | Első kerék (x2)      | 15 | Fogantyú                                   |
| 4  | Hátulsó kerék (x2)   | 16 | Fogantyú állító gomb                       |
| 5  | Üléspárna            | 17 | Fékfogantyú                                |
| 6  | Betét                | 18 | Állító háló                                |
| 7  | Kartartó rúd         | 19 | Tároló zseb (maximális terhelés = 0,45kg)  |
| 8  | Lábtartó             | 20 | Döntés állító gomb/Összehajtás kioldó gomb |
| 9  | Elfordító zár        | 21 | Ülés ablak                                 |
| 10 | Tároló kosár         | 22 | Hely adapter                               |
| 11 | Lábtartó állító gomb | 23 | Eső elleni borító                          |
| 12 | Csat                 |    |  |



## Termék összeállítása

### Gyerekkocsi kinyitása

- 1 - Vegye ki a gyerekkocsi keretét. (1)
- 2 - Fordítsa el a fogantyút, hogy kinyissa a gyerekkocsi keretét. (2)
- 3 - Kinyitáshoz húzza ki az ülést. (3)

A „kattanó” hang azt jelenti a ülés nyitva van.

Ellenőrizze hogy a gyerekkocsi teljesen elreteszelve nyitva van, mielőtt tovább használná.

### Ülés cseréje

Kérjük, amennyiben szükséges, cseréljen széket.

- 1 - Nyomja meg az ülés kioldó gombját (4)-1 és emelje fel az ülést (4)-2.
- 2 - Fordítsa meg a széket, majd rögzítse a kerethez. (5)

A „kattanó” hang azt jelenti a ülés teljesen rögzítve van.

### Első kerekek

- 1 - Illessze be az első kerekeket az első lábba. (6)

A „kattanó” hang azt jelenti az első kerekek teljesen össze vannak szerelve.

Ellenőrizze, hogy a kerék biztonságosan illesztek van, meghúzza kifele. Ismétlje meg ellentétes oldalon.

- 2 - Az első kerekek eltávolításához nyomja meg a kioldó gombot (7)-1 és válassza le az első kerekeket az első lábról (7)-2.

### Hátulsó kerekek

- 1 - Illessze be a hátulsó kerekeket a hátulsó lábba. (8)

A „kattanó” hang azt jelenti a hátulsó kerekek teljesen össze vannak szerelve.

Ellenőrizze, hogy a kerék biztonságosan illesztek van, meghúzza kifele. Ismétlje meg ellentétes oldalon.

- 2 - A hátulsó kerekek eltávolításához nyomja meg a kioldó gombot (9)-1 és válassza le a hátulsó kerekeket a hátulsó lábról (9)-2.

### Kartartó rúd

! Mindig rögzítse a gyereket a hámszíjjal. A kartartó rúd nem rögzítő eszköz.

- 1 - Igazítsa a kartartó rúd végét a kartartó rúd illesztőivel és helyezze bele, amíg helyére kattan. (10)

A „kattanó” hang azt jelenti a kartartó rúd teljesen össze van szerelve.

- 2 - A kartartó rúd eltávolításához nyomja meg a kartartó rúd kioldó gombjait (11)-1 és távolítsa el a kartartó rudat(11)-2.

### A beállítás ellenőrzése

- A gyerekkocsi kerete reteszelve nyitva
- A gyerekkocsi ülése biztonságosan van illesztve
- Az első és hátulsó kerekek biztonságosan vannak illesztve
- A kartartó rúd illesztve van

## Termék használata

### A gyermek rögzítése

- 1 - Nyomja meg a csat felső gombját (12)-1 a csat retesz kioldásához és távolítsa el a mágneses klipszeket (12)-2. Helyezze a gyereket az gyerekkocsiba.
- 2 - Tegye a mágneses klipszeket a csatba. (13)
- 3 - Illessze a hámszíjat a gyerekre meghúzással megszorítva a szíjakat (14)-1. Ezután húzza ki a csípőállító szíjakat (14)-2.

### Vállhámszj helyzete

- 1 - A felső vállhámszj csat fennebb és lennebb mozgatható az állításhoz. (15)

! A kiesés vagy kicsúszás miatt bekövetkező komoly sérülések megelőzése érdekében mindig rögzítse a gyereket a hámszíjakkal.

Győződjön meg, hogy a hámszj megfelelően be van állítva és a gyerek biztosítva van. A gyerek és a vállhámszj közötti távolság körülbelül egy ujjvastagságnyi.

NE keresztezze a vállszíjakat. Ez nyomást gyakorol a gyerek nyakára.

### Ülőke

- 1 - Az ülőke kinyitásához húzza előre az ülőkét az ülés eleje felé, összehajtáshoz nyomja hátra. (16)
- 2 - Az ülőke extra árnyékolásához nyissa ki a zipzárt. (17)
- 3 - Extra szellőzéshez emelje fel az ülőke ablak takaróját. (18)

### Megdöntés

A háttámla 4 helyzetbe állítható.

- 1 - A háttámla emeléséhez vagy leengedéséhez szorítsa meg a döntés állító gombot (19)-1, és húzza a háttámlát fel vagy le (19)-2.

! Kérjük ne nyomja meg a kioldó gombot (19)-3 a döntőfogantyú közepén amikor a döntésszöveget állítja. Győződjön meg, hogy a döntés megfelelően be van állítva használathoz.

### Lábtartó

A lábtartónak két használati helyzete van.

- 1 - A lábtartó felemeléséhez emelje felfele.
- 2 - A lábtartó leengedéséhez nyomja meg az állítógombot (20)-1, és nyomja lefele (20)-2.

### Fogantyú

A fogantyúnak 5 helyzete van.

- 1 - A fogantyú magasságának az állításához húzza meg a fogantyú állító gombot (21)-1 és húzza a fogantyút fel vagy le (21)-2.

### Fék

- 1 - A hátulsó kerekek lezárásához lépjen rá a fékkarra. (22)
- 2 - A hátulsó kerekek feloldásához lépjen rá újra a fékkarra. (23)

! Mindig rögzítse a fékeket amikor a gyerekkocsi meg van állítva. Lökje meg finoman a gyerekkocsit, hogy meggyőződjön róla, hogy a fékek rögzítve vannak.

### Első elfordító zár

Egyetlen felületen ajánlott az elfordító záruk használata.

- 1 - Húzza fel az első elfordító zárat az első kerekek rögzítéséhez. (24)
- 2 - Feloldáshoz nyomja le az első elfordító zárat. (25)

### Összehajtás

A gyerekkocsi összehajtható előre néző üléssel, hátranéző üléssel vagy ülés nélkül. Mielőtt összehajtaná a gyerekkocsit állítsa a fogantyút az alsó helyzetbe és ajánlott, hogy az első elfordító zár zárva legyen.

- 1 - Hajtsa össze a kanapét. (26)
  - 2 - Nyomja meg az összehajtás feloldó gombot (27)-1 a döntés állító gomb közepén, majd szorítsa meg a döntés állító gombot (27)-2.
  - 3 - Hajtsa össze az ülőkét. (28)
  - 4 - Húzza meg az ülés összehajtó hálóját, hogy összehajtsa a gyerekkocsit. (29)
  - 5 - A gyerekkocsi áll lezárt első kerékforgatókkal. (30)
  - 6 - Nyomja meg az ülésillesztő összehajtó gombjait. (31)
  - 7 - Hajtsa össze a gyerekkocsit. (32)
- ! A gyerekkocsi ülés nélkül áll a fogantyún és az első kerekeken.

### Betét

- 1 - A betét összerakásához helyezze a betétet az ülésre és fűzze át a váll, csípő és láb közötti hámszíjakat a megfelelő nyílásokon. (33)

## Tartozékok

! Nem minden tartozék van minden modell csomagolásában.

### Hely adapter

A Nuna csecsemőhordozóhoz és a TRIV hordozó kosárhoz és használatához, kérjük tanulmányozza a csecsemőhordozó és a hordozó kosár kézikönyvét.

- 1 - Az adapterek illesztéséhez helyezze az adaptereket az ülés szerelőre. A „kattanás” azt jelzi, hogy az adapterek a helyükön vannak. (34)(35)
  - 2 - A csecsemőhordozó illesztéséhez helyezze a csecsemőhordozót a hely adapterekre. A „kattanás” azt jelzi, hogy a csecsemőhordozó a helyén van. (36)
  - 3 - A hordozókosár illesztéséhez helyezze a hordozókosarat a hely adapterekre. A „kattanás” azt jelzi, hogy a hordozókosár a helyén van. (37)
  - 4 - A csecsemőhordozó és a hordozó kosár szöge állítható az állítható adapterek segítségével. (38)
  - 5 - Hátrafelé néző használat esetén az oszlopadaptereken lévő betűk ugyanazok, mint a keret műanyagán lévő betűk. (39)
  - 6 - Előrefelé néző használat esetén az oszlopadaptereken lévő betűk ellentétesek, mint a keret műanyagán lévő betűk. (40)
  - 7 - A csecsemőhordozó eltávolításához nyomja meg a kioldó gombokat a csecsemőhordozón (41)-1 és emelje fel (41)-2.
  - 8 - A hordozó kosár eltávolításához nyomja meg a kioldó gombokat a hordozó kosáron(42)-1 és emelje fel (42)-2.
  - 9 - A hely adapterek eltávolításához húzza meg az adapter kioldót (43)-1 és emelje fel (43)-2.
- ! Távolítsa el a csecsemőhordozót és hordozó kosarat összehajtás előtt.

### A gyerekkocsi összehajtása a hely adapterekkel

Mielőtt összehajtaná a gyerekkocsit a hely adapterekkel, állítsa a fogantyút az alsó helyzetbe és ajánlott, hogy az első elfordító zár zárva legyen.

- 1 - Húzza meg a hely adapter összehajtó hálóját, hogy összehajtsa a gyerekkocsit. (44)

! A gyerekkocsi a hely adapterekkel megáll a fogantyún és az első kerekeken.

### TRIV eső elleni borító

Ellenőrizze, hogy az ülőke teljesen nyitva van mielőtt az eső elleni borítót ráilleszti.

- 1 - Az eső elleni borító összeszereléséhez helyezze ezt a kocsi fölé. (45)

! MINDIG ellenőrizze a szellőzést, amikor az eső elleni borító a terméken van.

MINDIG ellenőrizze hogy az eső elleni borítót megtisztította és megszáritotta mielőtt összehajtja.

NE hajtsa össze a gyerekkocsit, ha az eső elleni borító fel van szerelve.

NE tegye a gyereket a kocsiba melegben az eső elleni borítóval feltéve.

## A puha belsők eltávolítása és felhelyezése

A puha belsők eltávolításához kövesse a lépéseket (46) - (59) mint az ábrán, majd a visszaszereléséhez kövesse a fenti lépéseket fordított sorrendben.

## Tisztítás és karbantartás

A keretet, műanyag részeket és szövetet tisztítsa nedves ruhával, de ne használjon súrolót vagy fehérítőt. He használjon szilikonos síkosítót, ez magához vonzza a szennyeződések. Ne tárolja a gyerekkocsit nedves helyen.

Rendszeresen takarítsa meg a gyerekkocsi kerekeit és távolítsa el a szennyeződések.

A hosszú idejű használat érdekében törölje le a gyerekkocsit egy puha, nedvszívó ruhával miután esős időben használta.

Olvassa el a puha részekre helyezett karbantartási címkéket a mosási és szárítási utasításokért.

Normális, hogy a szövet elszíneződik a napsütéstől és hosszú idejű használat után használati nyomok látszódnak rajta, normál használat estén is.

Biztonsági okokból csak eredeti Nuna cserealkatrészeket használjon.

Ellenőrizze időszakosan hogy minden megfelelően működik. Ha van olyan része ami eltört, elhasználódott vagy hiányzik, ne használja tovább a terméket.

# هام يرجى قراءة التعليمات بعناية والاحتفاظ بها للرجوع إليها مستقبلاً.

## معلومات المنتج

رقم الطراز:

تاريخ التصنيع:

## متطلبات الاستخدام الخاصة بالأطفال

يُعد مقعد عربة الأطفال هذا مناسب للاستخدام مع الأطفال الذين يستوفون الشروط التالية:

الميلاد حتى 22 كجم أو 4 سنوات أيهما أولاً

راجع متطلبات الاستخدام الخاصة بالأطفال المدرجة في كتيبات التعليمات هذه عند

Nuna استخدام إطار عربة الأطفال مع حقيبة حمل الطفل أو حوامل الطفل من.

## الضمان

لقد صممنا عن قصد منتجاتنا بأن تكون عالية الجودة بحيث يمكن أن تتعايش مع طفلك وعائلتك، ونظرًا لأننا ندعم منتجاتنا فإنها مغطاة بضمان مخصص لكل منها بداية من اليوم الذي تم شراؤه فيه؛ لذا يرجى أن يكون لديك إثبات الشراء ورقم الطراز وتاريخ التصنيع عند الاتصال بنا.

لمزيد من المعلومات عن الضمان يرجى زيارة الموقع:  
www.nunababy.com

انقر فوق رابط "الضمان" في الصفحة الرئيسية.

## جهات الاتصال

للحصول على الاستفسارات المتعلقة بقطع الغيار أو الخدمة أو استفسارات الضمان الإضافية يرجى الاتصال بمركز خدمة العملاء.

info@nunababy.com  
www.nunababy.com

## ⚠️ تحذير

قد يؤدي عدم مراعاة هذه التحذيرات والتعليمات إلى وقوع إصابات بالغة أو الوفاة. واستخدم دائماً نظام كبح العربية.

تحقق من صحة تعشيق هيكل العربية أو وحدة المقعد أو أدوات تثبيت المقعد قبل الاستخدام.

تجنب عبث الطفل بهذا المنتج. تأكد من تأمين كافة أجهزة القفل قبل الاستخدام.

لا تترك طفلك أبداً دون رقابة.

هذا المنتج غير مناسب للاستخدام أثناء الجري أو الترحلق.

تأكد من إبعاد الطفل عند بسط العربية أو طيها لتجنب إلحاق أي ضرر به.

يجب عدم استخدام قطع الغيار غير المعتمدة من قبل الجهة المصنعة. يجب ألا يتم استخدام إلا قطع الغيار المرفقة أو الموصى بها من قبل الجهة المصنعة/الموزع.

احرص دائماً على تعشيق المكابح عند التوقف.

يجب التركيب من قبل شخص بالغ.

لن يتم تعطية أي ضرر ناتج عن استخدام الملحقات التي لا توفرها شركة Nuna من حيث الضمان.

لا تربط أشياء بالمقبض أو ظهر المقعد أو جوانب عربية الأطفال لأنها ستؤثر على ثباتها.

تأكد من فرد العربية بالكامل وتثبيتها باستخدام المزلاج قبل السماح للطفل بالاقتراب منها.

تجنب حمل أطفال أو سلع أو إكسسوارات إضافية بالعربة ما عدا ما هو مسموح به في هذا الدليل، حيث قد يتسبب ذلك في إخلال توازنها.

تجنب ترك عربية الأطفال في مكان قريب من مصدر حرارة قوي كجهاز الإشعاع أو مصادر اللهب المكشوفة.

تجنب وضع أي جسم على المظلة.

تجنب تخزين عربات الأطفال في مكان رطب. اترك دائماً القماش حتى يجف بشكل طبيعي بعيداً عن الحرارة المباشرة.

تجنب وضع الطفل داخل سلة التخزين.

تجنب استخدام العربية في حالة تلف أحد مكوناتها أو فقدانها.

لا تستبدل هذه العربية بسرير الطفل أو الفراش وذلك في مقاعد السيارات المقترنة بهيكل السيارة. وفي حالة رغبة الطفل في النوم، يجب وضعه في عربة الطفل أو حقيبة حمل أو سرير ملائمين.

يرجى حفظ الأجسام الصغيرة بعيداً عن متناول الأطفال؛ وذلك لأنها تعرضهم لخطر الاختناق.

احرص على السير بعناية بالعربة على الأرصفة والأرض القاسية، حيث تؤدي الارتطامات المتكررة إلى تلف العربة.

يُحظر السماح للأطفال بالوقوف فوق العربة.

يُحظر حمل أكثر من طفل واحد في وقت واحد في عربة الأطفال.

يُحظر استخدام عربة الأطفال على الدرج أو السلالم الكهربائية، حيث قد تفقد فجأة السيطرة على العربة، أو قد يسقط طفلك.

احرص دائماً على ربط الحزام وضبطه بطريقة صحيحة. لا يُعني استخدام الحزام غض النظر عن إشراف الراشدين.

يجب تعشيق المكابح عند وضع الطفل في العربة وإخراجه منها.

تأكد من فرد العربية بالكامل وتثبيتها باستخدام المزلاج قبل السماح للطفل بالاقتراب منها.

قد يتسبب التحميل الزائد والطي غير الصحيح واستخدام ملحقات -مثل مقاعد الأطفال وحاملات الحقيبة وأغطية المطر وألواح العربات وغيرها... بخلاف تلك المعتمدة من قبل شركة Nuna في تلف عربة الأطفال أو جعلها غير آمنة.

قد تترك الإطارات المطاطية علامات سوداء على الأسطح الملساء كالأرضية الخشبية والأرضيات المولفة من صفائح رقيقة والمشمع.

لتفادي الاختناق تجنب وضع أي أجسام مزودة بسلاسل حول عنق الطفل أو تعليق حبال أو أسلاك من هذا المنتج أو ربط حبال بالألعاب.

لتجنب خطر الاختناق قم بإزالة جميع الأغطية البلاستيكية قبل استخدام هذا العربة والتخلص منها أو إبعادها عن الأطفال والرضع.

لتفادي الحالات الخطرة أو غير المستقرة تجنب وضع عناصر يزيد وزنها على ٤,٥ كجم في سلة التخزين وأكثر من ٠,٤٥ كجم في جيب التخزين.

يُوصى باستخدام وضعية الإمالة المُصممة خصيصاً للأطفال حديثي الولادة.

استخدم العربة مع أطفال لا يزيد وزنهم عن ٢٢ كجم. إن استخدام العربة لحمل طفل أثقل قد يؤدي إلى تلفها.

## قائمة الأجزاء

يرجى التأكد من توافر كافة الأجزاء قبل القيام بالتركيب، في حالة فقد أحد الأجزاء يرجى الاتصال بالموزع المحلي. لا توجد أدوات مطلوبة للتجميع.

١٣	زر تحرير المقعد	١	إطار عربة الأطفال
١٤	بطانة أحزمة الكتف	٢	المظلة
١٥	المقبض	٣	عدد ٢ عجلة أمامية
١٦	زر ضبط المقبض	٤	عدد ٢ عجلة خلفية
١٧	ذراع الفرامل	٥	بطانة المقعد
١٨	حزام الطي	٦	الوليعة A
١٩	جيب التخزين (الحمولة القصوى = ٤,٥ كجم)	٧	مقبض الذراع
٢٠	زر الطي/ضبط الانحناء	٨	مسند الساق
٢١	نافذة المظلة	٩	القليل الدوار
٢٢	الدعامات	١٠	سلة التخزين
٢٣	غطاء واقي من المطر	١١	زر ضبط مسند الساق
		١٢	إبزيم

## إعداد المنتج

### فتح العربة

١ - أخرج إطار عربة الأطفال. (١)

٢ - لف المقبض لأعلى لفتح إطار العربة. (٢)

٣ - اسحب المقعد لفتح. (٣)

يشير سماع صوت "نقرة" إلى أن المقعد قد تم فتحه.

تأكد من فتح العربة بالكامل قبل المتابعة.

### تبديل وضع المقعد

احرص على تبديل وضع المقعد إذا كانت هناك حاجة لذلك.

١ - اضغط على زر تحرير المقعد (٤) وارفع المقعد لأعلى (٤-٢).

٢ - اقلب المقعد، ثم وصله بالإطار. (٥)

يشير سماع صوت "نقرة" إلى أنه قد تم تركيب المقعد بالكامل.

### العجلات الأمامية

١ - ادخل العجلة الأمامية في الرجل الأمامية. (٦)

يشير سماع صوت "نقرة" إلى أنه قد تم تركيب العجلة الأمامية بالكامل.

تأكد من إحكام ربط العجلة عن طريق سحبها للخارج، وكرر ذلك على الجانب الآخر.

٢ - لإزالة العجلة الأمامية اضغط على زر التحرير (٧) وافصلها من الرجل الأمامية (٧-٢).

### العجلات الخلفية

١ - ادخل العجلة الخلفية في الرجل الخلفية. (٨)

يشير سماع صوت "نقرة" إلى أنه قد تم تركيب العجلة الخلفية بالكامل.

تأكد من إحكام ربط العجلة عن طريق سحبها للخارج، وكرر ذلك على الجانب الآخر.

٢ - لإزالة الخلفية الأمامية اضغط على زر التحرير (٩) وافصلها من الرجل الخلفية (٩-٢).

### مقبض الذراع

! احرص دائماً على تثبيت الطفل بإحكام باستخدام الحزام، حيث إن مقبض الذراع ليس بنظام للتثبيت.

١ - قم بمحاذاة نهايات مقبض الذراع مع حوامله، وأدخلها حتى تستقر في مكانها. (١٠)

يشير سماع صوت "نقرة" إلى أنه قد تم تركيب المقبض بالكامل.

٢ - لفصل مقبض الذراع اضغط على أزرار تحريره (١١) ثم انزعه (١١-٢).

## استخدام المنتج

### تأمين الطفل

١ - ادفع الزر العلوي في الإبزيم (١٢) لتحرير مزلاج الإبزيم وأخرج المشابك المغناطيسية (١٢-٢). ضع الطفل في العربة.

٢ - أدخل المشابك المغناطيسية في الإبزيم. (١٣)

٣ - ثبت الأحزمة على الطفل، وذلك عن طريق سحب أشرطة الضبط لتشد الحزام (١٤)، ثم اسحب أشرطة الضبط الموجودة على الخصر للخارج (١٤-٢).

### وضع حزام الكتف

١ - يمكن تحريك أيازيم حزام الكتف العلوية لأعلى ولأسفل لإحكام التثبيت. (١٥)

! لتفادي وقوع إصابات بالغة ناجمة عن الوقوع أو الانزلاق احرص دائماً على تثبيت الطفل باستخدام الحزام.

تأكد من ضبط الحزام ضبطاً صحيحاً وأن الطفل مثبت بإحكام، وتأكد من أن المسافة بين الطفل وحزام الكتف تتساوى سُمك إصبع واحدة تقريباً.

تجنب ربط أحزمة الكتف بصورة متقاطعة، حيث سيؤدي هذا إلى الضغط على رقبة الطفل.

### المظلة

١ - لفتح المظلة اسحبها باتجاه مقدمة المقعد، ولطيها ادفعها للخلف (١٦).

٢ - افتح السوستة الموجودة على المظلة لتوفير حماية أكبر من الضوء (١٧).

٣ - لتوفير قدر أكبر من التهوية اقلب غطاء نافذة المظلة لأعلى. (١٨)

### الإمالة إلى الخلف

صُمم مسند الظهر بأربع زوايا إمالة،

١ - لرفع مسند الظهر أو خفضه اضغط على زر ضبط الإمالة (١٩) - ١، واسحب مسند الظهر لأعلى أو لأسفل (١٩) - ٢.

! يرجى عدم الضغط على الزر (١٩) - ٣ الموجود في منتصف زر ضبط الانحناء عند ضبط زاوية الانحناء. تأكد من أن وضع الانحناء صالح للاستخدام.

### مسند الساق

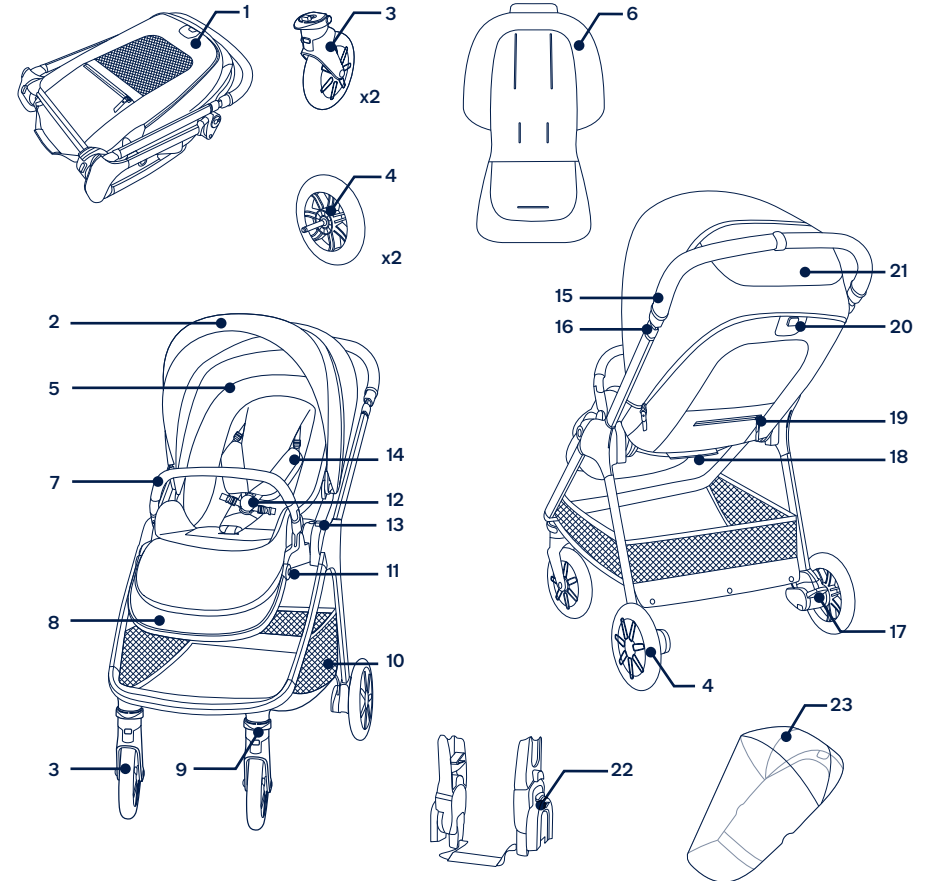
توجد وضعيتان لمسند الساق.

١ - لرفع مسند الساق ارفعه لأعلى.

٢ - لخفض مسند الساق اضغط على زر الضبط (٢٠) - ١، وادفعه لأسفل (٢٠) - ٢.

### التحقق من الإعدادات

- |                          |   |
|--------------------------|---|
| <input type="checkbox"/> | إطار العربة مفتوح.                      |
| <input type="checkbox"/> | مقعد عربة الأطفال مركب بإحكام.          |
| <input type="checkbox"/> | العجلات الأمامية والخلفية مركبة بإحكام. |
| <input type="checkbox"/> | مقبض الذراع مركب بإحكام.                |



## المقبض

توجد ٥ وضعيات لضبط المقبض.

- 1 - لضبط ارتفاع المقبض اضبط زر ضبط المقبض (٢١)-١ واسحب المقبض لأعلى أو لأسفل (٢١)-٢.

## الفرامل

- 1 - لفلق العجلات الخلفية اضبط على ذراع الفرامل لأسفل. (٢٢)
  - 2 - لفتح العجلات الخلفية ارفع ذراع الفرامل. (٢٣)
- ! احرص دائماً على تشييق الفرامل عندما تكون عربة الأطفال متوقفة، وادفع العربة قليلاً للتأكد من تشييق الفرامل.

## الأقفال الدوارة الأمامية

يُوصى باستخدام الأقفال الدوارة الأمامية على الأسطح غير المستوية.

- 1 - اسحب القفل الدوار الأمامي لأعلى لفلق العجلة الأمامية. (٢٤)
- 2 - اضبط على القفل الدوار الأمامي باتجاه الأسفل لفتحه. (٢٥)

## الطّي

يمكن طّي عربة الأطفال ذات المقعد الأمامي أو الخلفي أو تلك التي بدون مقعد، قبل طّي العربة اضبط المقبض على أدنى موضع، وتأكد من فتح الأقفال الدوارة الأمامية.

- 1 - طّي المظلة (٢٦)
  - 2 - اضبط على زر الطّي (٢٧)-١ الموجود في منتصف زر ضبط الانحناء، ثم اضبط على زر ضبط الانحناء (٢٧)-٢.
  - 3 - طّي المقعد (٢٨)
  - 4 - اسحب حزام طّي المقعد لطّي العربة. (٢٩)
  - 5 - يمكن للعربة ذات المقعد المنحني للأمام أن تقف باستخدام عجلات، ويمكن لتلك ذات المقعد المنحني للخلف أن تقف باستخدام المقبض والعجلات الخلفية. (٣٠)
  - 6 - اضبط على أزرار طّي حوامل المقعد. (٣١)
  - 7 - طّي عربة الأطفال (٣٢)
- ! باستطاعة العربة الوقوف على المقبض والعجلات الأمامية بدون المقعد.

## الوليجة

- 1 - لتركيب الوليجة ضعها أعلى المقعد، ثم أدخل أحزمة الكتف والخصر والساقين في الفتحات المخصصة لها. (٣٣)

## الملحقات

! لا يتم تضمين جميع الملحقات في بعض الطرازات.

## الدعامات

- لتجميع واستخدام حامل الطفل Nuna وحقيبة حمل الطفل TRIV يرجى الرجوع إلى دليل التعليمات الخاص بكل منهما.
- 1 - لتركيب الدعامات ضعها على حوامل المقعد، ويشير سماع صوت "نقرة" إلى أن الدعامات قد تم تركيبها. (٣٤)(٣٥)
  - 2 - لتركيب حامل الطفل وضعه على الدعامات، ويشير سماع صوت "نقرة" إلى أن الحامل قد تم تركيبه. (٣٦)
  - 3 - لتركيب حقيبة حمل الطفل ضعها على الدعامات، ويشير سماع صوت "نقرة" إلى أن الحقيبة قد تم تركيبها. (٣٧)
  - 4 - يمكن ضبط زاوية حقيبة حمل الرضيع وحالة الرضيع باستخدام مهايئاتنا القابلة للضبط. (٣٨)

- 5 - عند الاستخدام في وضع المواجهة للخلف، تكون الحروف الموجودة على الدعامات هي نفسها تلك الموجودة على بلاستيك الإطار. (٣٩)
  - 6 - عند الاستخدام في وضع المواجهة للأمام، تكون الحروف الموجودة على الدعامات في مقابل تلك الموجودة على بلاستيك الإطار. (٤٠)
  - 7 - لفصل حامل الأطفال اضبط على أزرار التحرير الموجودة على الحامل (٤١)-١ وارفعه لأعلى (٤١)-٢.
  - 8 - لفصل حقيبة حمل الطفل اضبط على أزرار التحرير الموجودة على جانب الحقيبة (٤٢)-١ وارفعه لأعلى. (٤٢)-٢
  - 9 - لفصل الدعامات اضبط على أزرار تحريرها (٤٣)-١ وارفعه لأعلى (٤٣)-٢.
- ! انزع حامل وحقيبة حمل الطفل قبل الطّي.

## طّي عربات الأطفال المزودة بدعامات

قبل طّي العربة مع المهايئات الداعمة، اضبط المقبض على الموضع الأدنى، وتأكد من قفل الأقفال الدوارة الأمامية.

- 1 - اسحب حزام طّي الدعامات لطّي العربة. (٤٤)

! باستطاعة العربة الوقوف على المقبض والعجلات الأمامية بدون دعامات المقعد.

## بمهايئ TRIV غطاء واقي من المطر

تأكد من أن المظلة مفتوحة تماماً قبل تثبيت الغطاء الواقي من المطر.

- 1 - لتركيب الغطاء الواقي من المطر، ضعه أعلى عربة الأطفال. (٤٥)

! احرص دائماً على فحص منفذ التهوية في حالة وجود الغطاء الواقي من المطر على المنتج.

احرص دائماً على التأكد من تنظيف الغطاء الواقي من المطر وتجفيفه قبل طيه.

يمنع طّي عربة الأطفال حال كون الغطاء الواقي من المطر مركباً.

يمنع وضع الطفل في عربة الأطفال في الطقس الحار مع غطاء المطر مركباً.

## فك وتركيب الأجزاء المستهلكة

لفك الأجزاء الطرية في المقعد اتبع الخطوات (٤٦) - (٥٩) كما هو موضح، ولإعادة تجميعها اعكس الخطوات المذكورة أعلاه.

## التنظيف والصيانة

قم بتنظيف الإطار والأجزاء البلاستيكية والقماش بقطعة قماش مبللة، ولكن لا تستخدم المواد الكاشطة أو المبيضة. لا تستخدم مواد التشحيم المصنوعة من السيليكون لأنها ستجذب الأوساخ والسخام. تجنب تخزين عربات الأطفال في مكان رطب.

نظف عجلات العربة بانتظام بالماء، واحرص على إزالة أي أوساخ.

لضمان الاستخدام طويل الأمد قم بسمح العربة بقطعة قماش ناعمة وماصة بعد استخدامها في الطقس الممطر.

راجع الملصقات المرفقة الخاصة بالعناية بالأقمشة غير المعمرة للحصول على إرشادات الغسيل والتنظيف.

من الطبيعي أن يتم تلويين الأقمشة نتيجة تعرضها لأشعة الشمس وإظهار علامات البلى بعد فترة طويلة من الاستخدام حتى عند استخدامها بشكل طبيعي.

لأسباب تتعلق بالسلامة يرجى استخدام الأجزاء الأصلية فقط من Nuna.

تحقق باستمرار من أن كل شيء يعمل بشكل صحيح. إذا كان هناك أي أجزاء ممزقة أو مكسورة أو مفقودة، فتوقف عن استخدام هذا المنتج.