

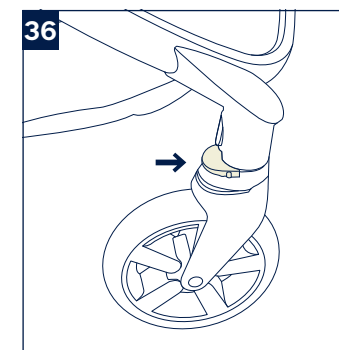
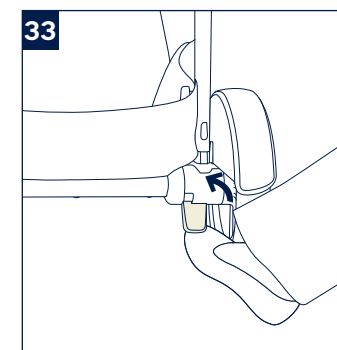
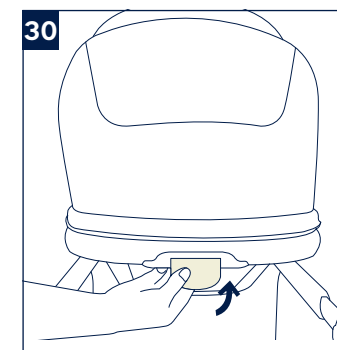
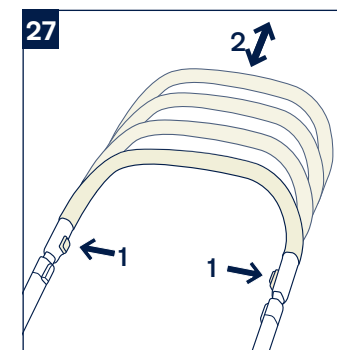
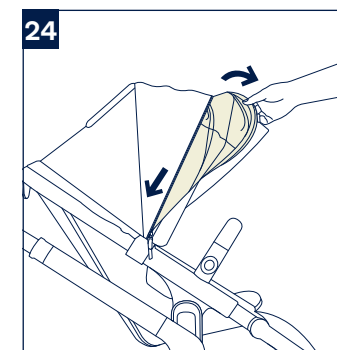
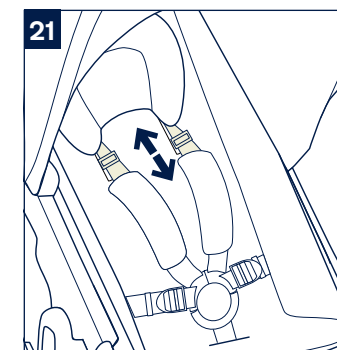
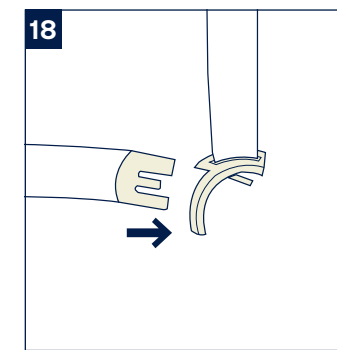
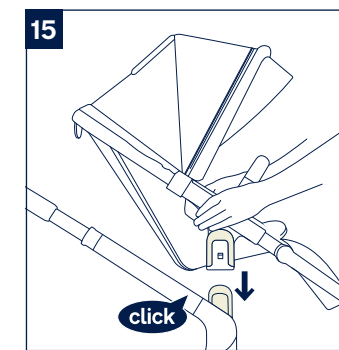
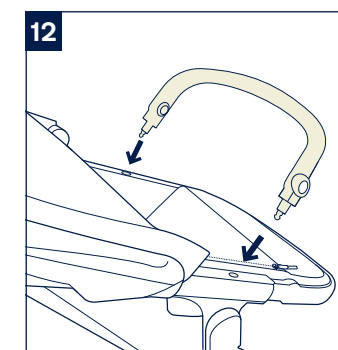
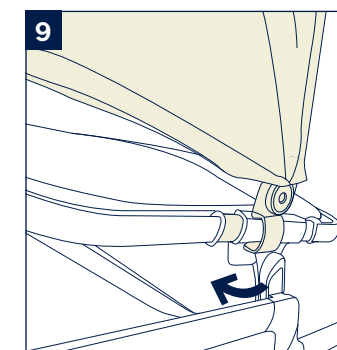
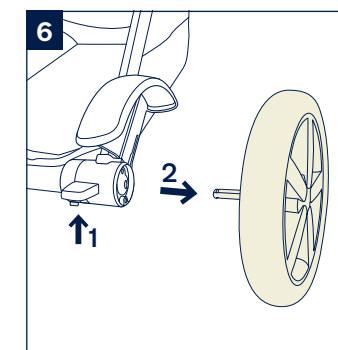
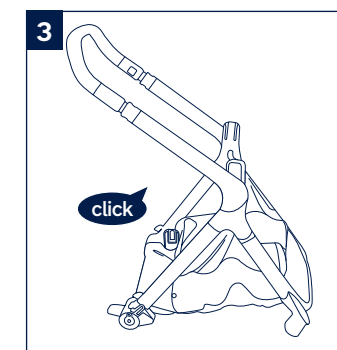
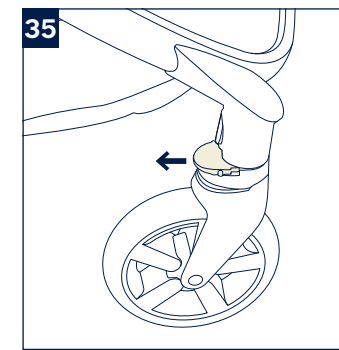
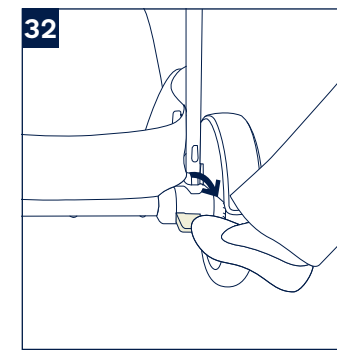
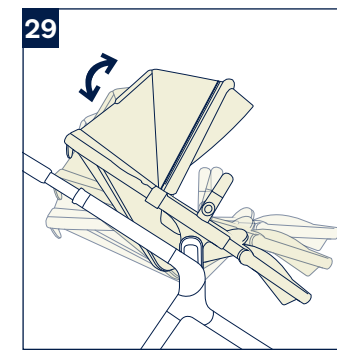
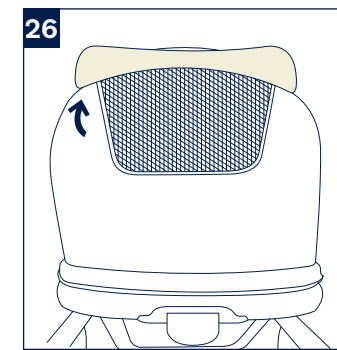
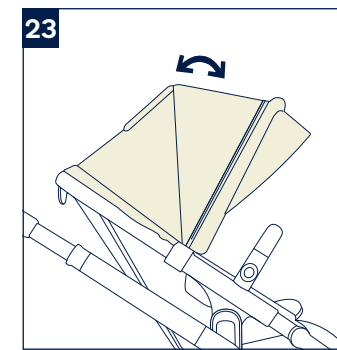
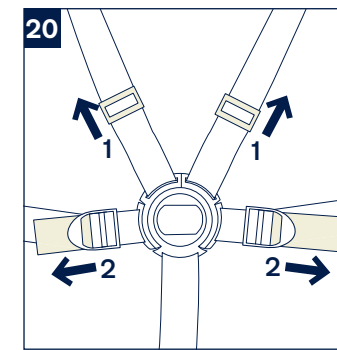
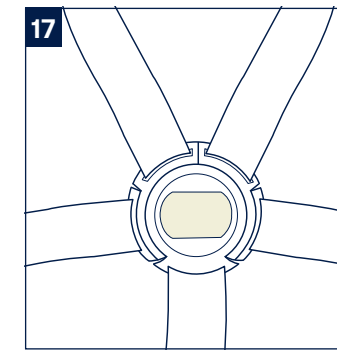
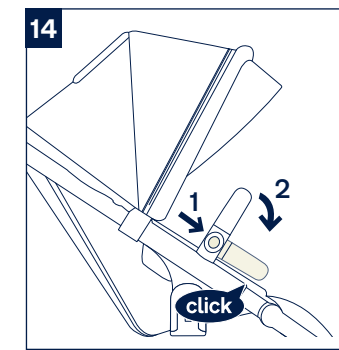
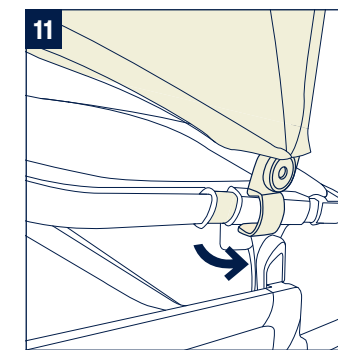
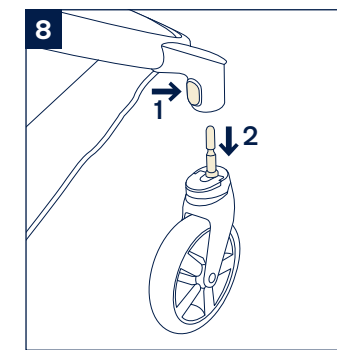
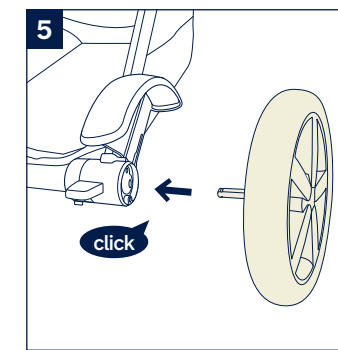
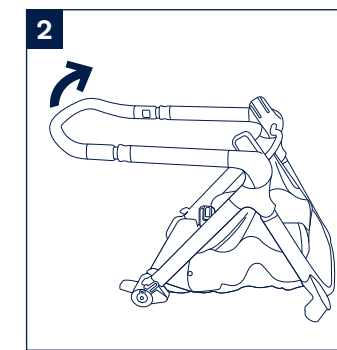
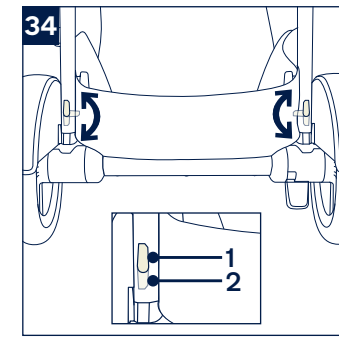
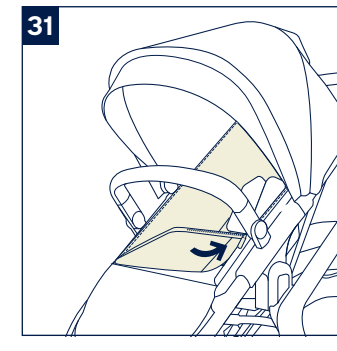
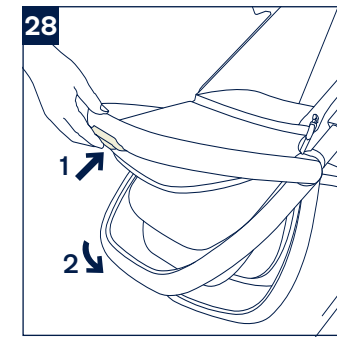
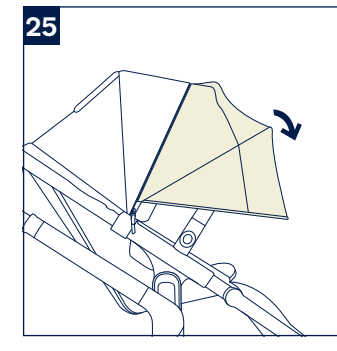
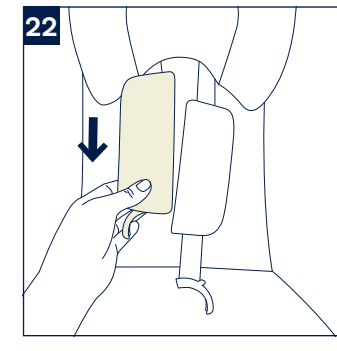
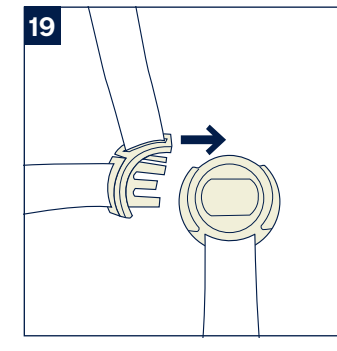
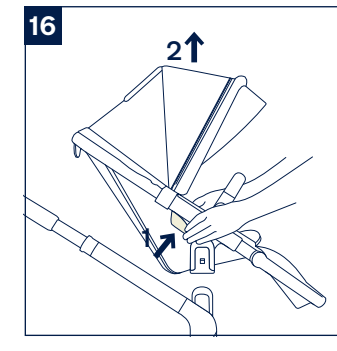
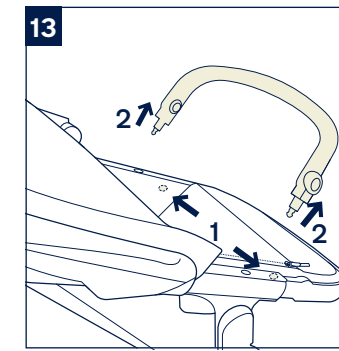
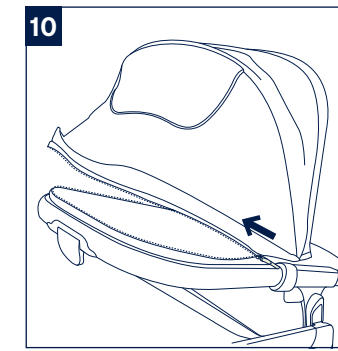
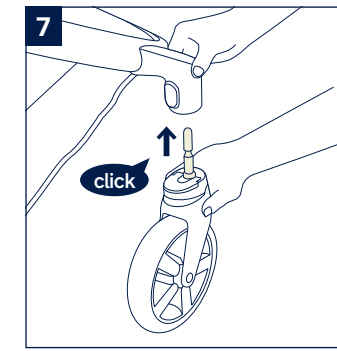
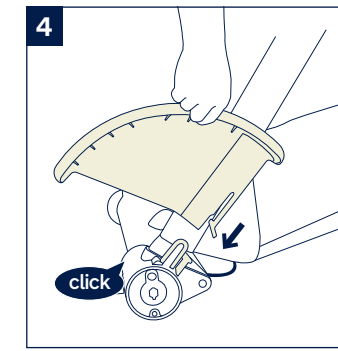
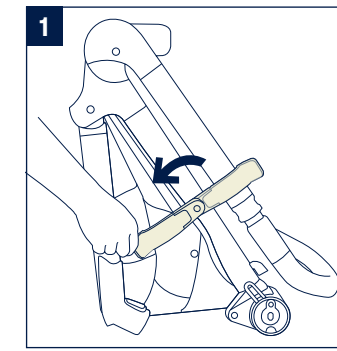
# demi™ grow

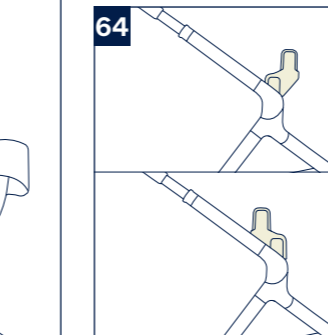
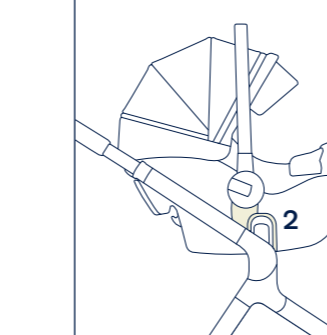
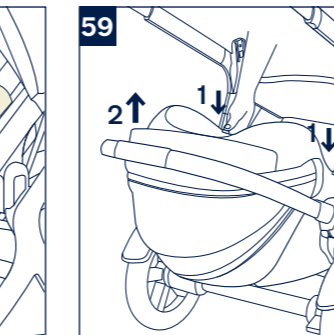
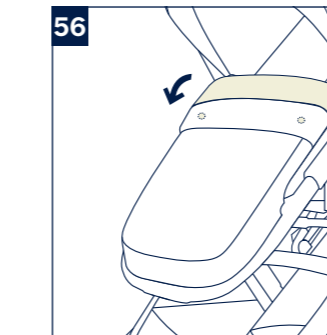
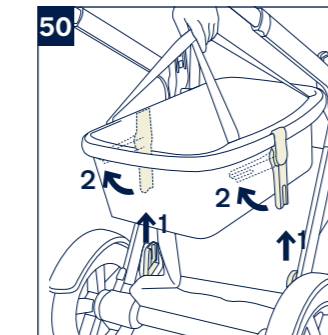
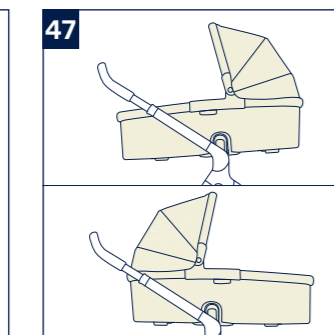
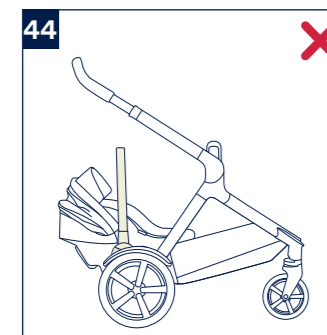
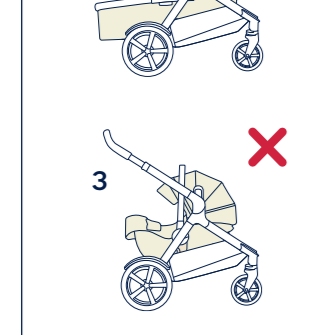
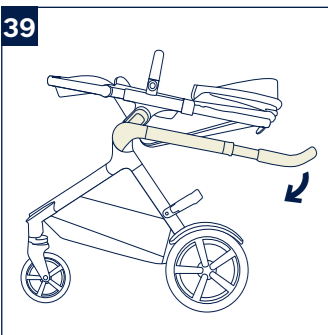
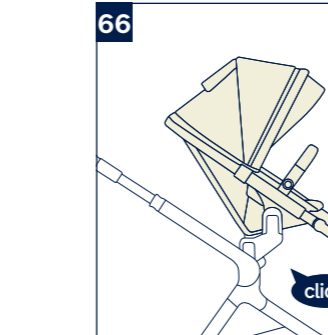
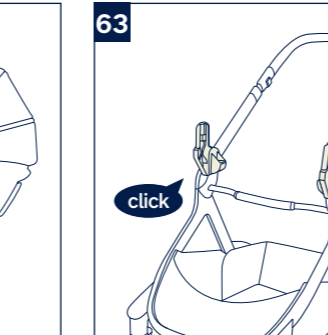
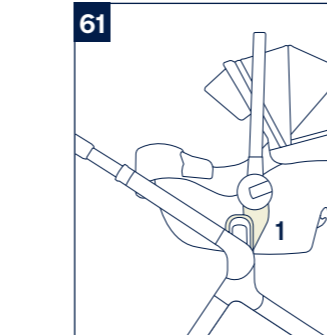
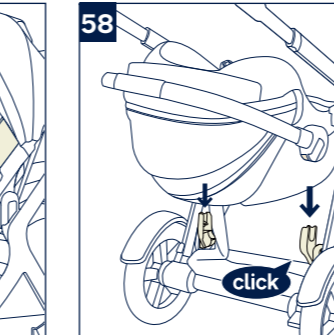
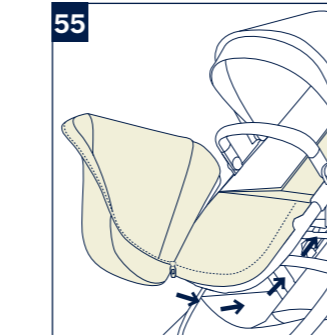
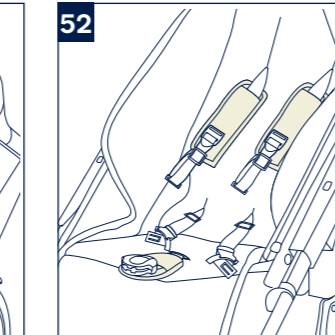
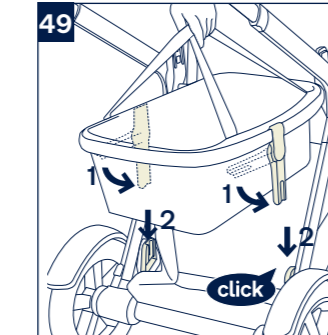
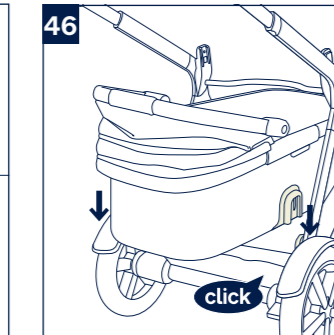
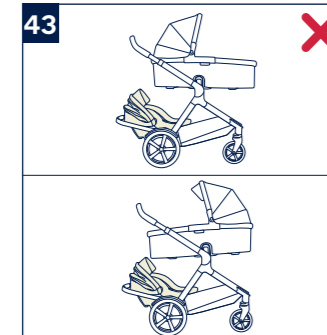
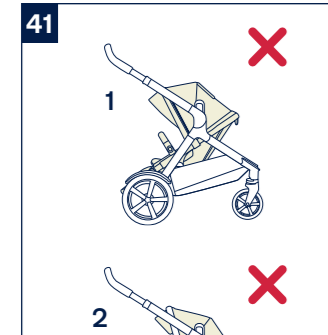
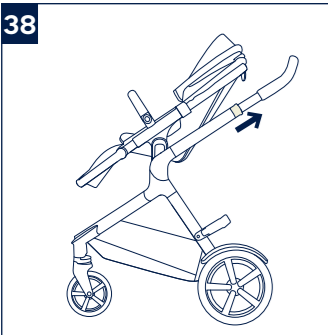
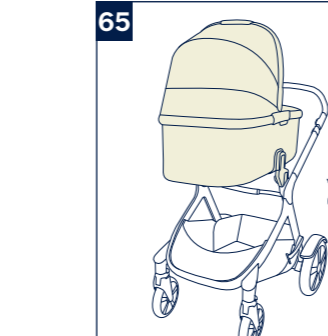
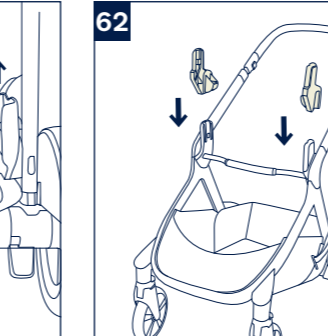
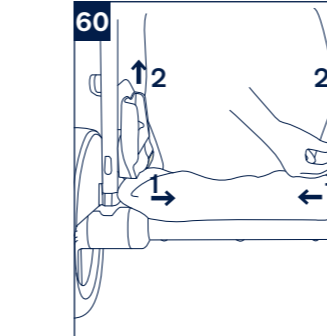
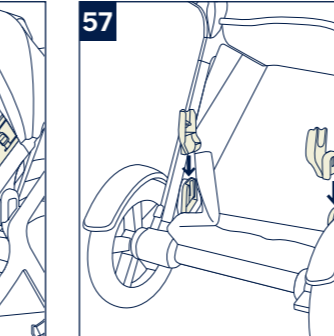
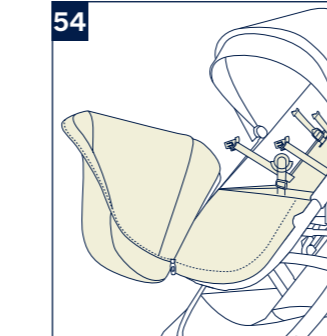
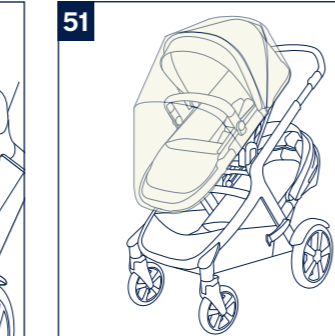
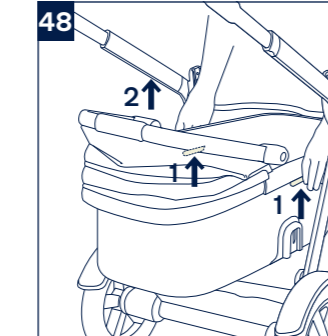
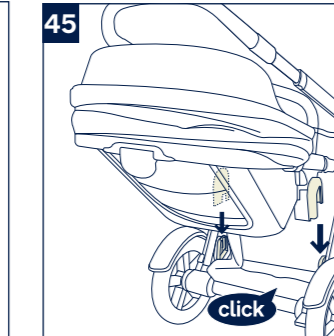
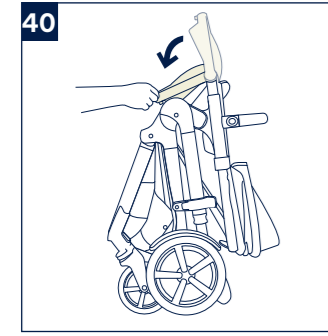
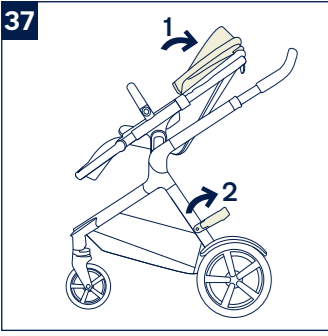


nuna®

Designed  
around your life

nuna®





**IMPORTANT  
READ CAREFULLY AND  
KEEP FOR FUTURE  
REFERENCE.**

## Contents

<b>Product Information</b>	
Product Registration	2
Warranty	2
Contact	2
<b>Child Usage Requirements</b>	3
<b>Warnings</b>	4
<b>Parts List</b>	8
<b>Product Set Up</b>	10
<b>Product Use</b>	13
<b>Seating Options</b>	17
<b>Accessories</b>	
DEMI grow Pushchair/Sibling Seat	20
DEMI grow Carry Cot	20
DEMI grow Pushchair Removable Basket	21
DEMI grow Pushchair/Sibling Seat Rain Cover	21
DEMI grow Pushchair/Sibling Seat Footmuff	22
Infant Car Seat Post Adaptors	22
Seat & Carry Cot Post Adaptors	23
<b>Cleaning and Maintenance</b>	24
<b>Francais (FR)</b>	26
<b>Deutsch (DE)</b>	52
<b>Nederlands (NL)</b>	78
<b>Italiano (IT)</b>	104
<b>Espanol (ES)</b>	130
<b>Português (PT)</b>	156
<b>Polish (PL)</b>	182
<b>Čeština (CZ)</b>	208
<b>Slovenština (SK)</b>	234
<b>한국어 (KO)</b>	260
繁中	286
简中	310

## Product Information

**Model Number:** \_\_\_\_\_

**Manufactured Date:** \_\_\_\_\_

### Product Registration

Please fill in the above information. The model number and the manufactured in date are located on a label on the bottom of the pushchair frame.

**To register your product please visit:**

[www.nunababy.com/register-gear](http://www.nunababy.com/register-gear)

### Warranty

We have purposely designed our high-quality products so that they can grow with both your child and your family. Because we stand by our product, our gear is covered by a custom warranty per product, starting from the day it was purchased. Please have the proof of purchase, model number and manufactured in date available when you contact us.

**For warranty information please visit:**

[www.nunababy.com/warranty](http://www.nunababy.com/warranty)

### Contact

For replacement parts, service, or additional warranty questions, please contact our customer service department.

[info@nunababy.com](mailto:info@nunababy.com)

[www.nunababy.com](http://www.nunababy.com)

**In the United Kingdom:**

[infouk@nunababy.com](mailto:infouk@nunababy.com)

[www.nunababy.com](http://www.nunababy.com)

**NUNA International B.V.**

Van der Valk Boumanweg 178 C

2352JD Leiderdorp

The Netherlands

## Child Usage Requirements

This pushchair/sibling seat is suitable for use with children who meet the following requirements:

**Child:** at least 6 months

**Weight:** up to 15 kg (33 lb) maximum

**Height:** 114.3 cm (45 in.)

It is not suitable for children under 6 months.

When using the pushchair frame with the carry cot or infant carrier, refer to the child usage requirements listed in those instruction manuals.

## **⚠️ WARNING**

**Failure to follow these warnings and instructions could result in serious injury or death.**

Always use the restraint system.

Check that the pram body or seat unit or car seat attachment devices are correctly engaged before use.

Do not let the child play with this product.

Ensure that all the locking devices are engaged before use.

Never leave the child unattended.

This product is not suitable for running or skating.

To avoid injury ensure that the child is kept away when unfolding and folding this product.

This seat unit is not suitable for children under 6 months.

Accessories which are not approved by the manufacturer shall not be used. Only replacement parts supplied or recommended by the manufacturer/distributor shall be used.

Adult assembly required.

**ALWAYS** set the parking brake when you stop.

Any damage caused by the use of accessories not supplied by Nuna will not be covered in terms of warranty.

Any load attached to the handle and/or on the back of the backrest and/or on the sides of the vehicle will affect the stability of the vehicle.

Be certain the stroller is fully erected and latched before allowing your child near the stroller.

**DO NOT** carry additional children, goods, accessories in or on the stroller except as permitted in this manual. They may cause the stroller to become unstable.

**DO NOT** leave the stroller exposed in the vicinity of a strong source of heat i.e. a radiator or open fire.

**DO NOT** place any item on the canopy.

**DO NOT** store the stroller in a damp place. Always allow the fabric to dry naturally away from direct heat.

**DO NOT** use storage basket as a child carrier.

**DO NOT** use the stroller if any parts are damaged or missing.

Each pushchair/sibling seat is intended for children at least 6 months and up to 15 kg (33 lb) maximum or a height of 114.3 cm (45 in.).

For car seats used in conjunction with a chassis, this vehicle does not replace a cot or a bed. Should your child need to sleep, then it should be placed in a suitable pram body, cot or bed.

Keep small parts away from children as they pose a choking hazard.

Negotiate curbs and rough ground carefully. Repeated impact could cause damage to the stroller.

**NEVER** allow children to stand on the stroller.

**NEVER** carry more than one child per seat.

**NEVER** carry more than two children at a time in the stroller.

**NEVER** use the stroller on stairs or escalators. You may suddenly lose control of the stroller or your child may fall out.

The harness must always be correctly fitted and adjusted. The harness is not a substitute for proper adult supervision.

The parking break shall be engaged when placing and removing children.

Overloading, incorrect folding, and the use of accessories e.g. child seats, bag hooks, rain covers, buggy boards, etc... other than those approved by Nuna may damage or make the stroller unsafe.

Rubber tires may leave black scuff marks on smooth surfaces such as parquet, laminate and linoleum.

**STRANGULATION HAZARD** Do not place items with a string around your child's neck, suspend strings from this product, or attach strings to toys.

To avoid any danger of suffocation, remove all plastic covers before using this item and destroy or keep away from babies and children!

To prevent a hazardous, unstable condition, do not place more than 4.5 kg (10 lb) in the storage basket/removable basket.

Use of the stroller with more than 34.5 kg (76 lb) will cause excessive wear and stress on the stroller.  
34.5 kg (76 lb) = 15 kg (33 lb) pushchair/sibling seat maximum + 15 kg (33 lb) pushchair/sibling seat maximum + 4.5 kg (10 lb) storage basket/removable basket maximum.

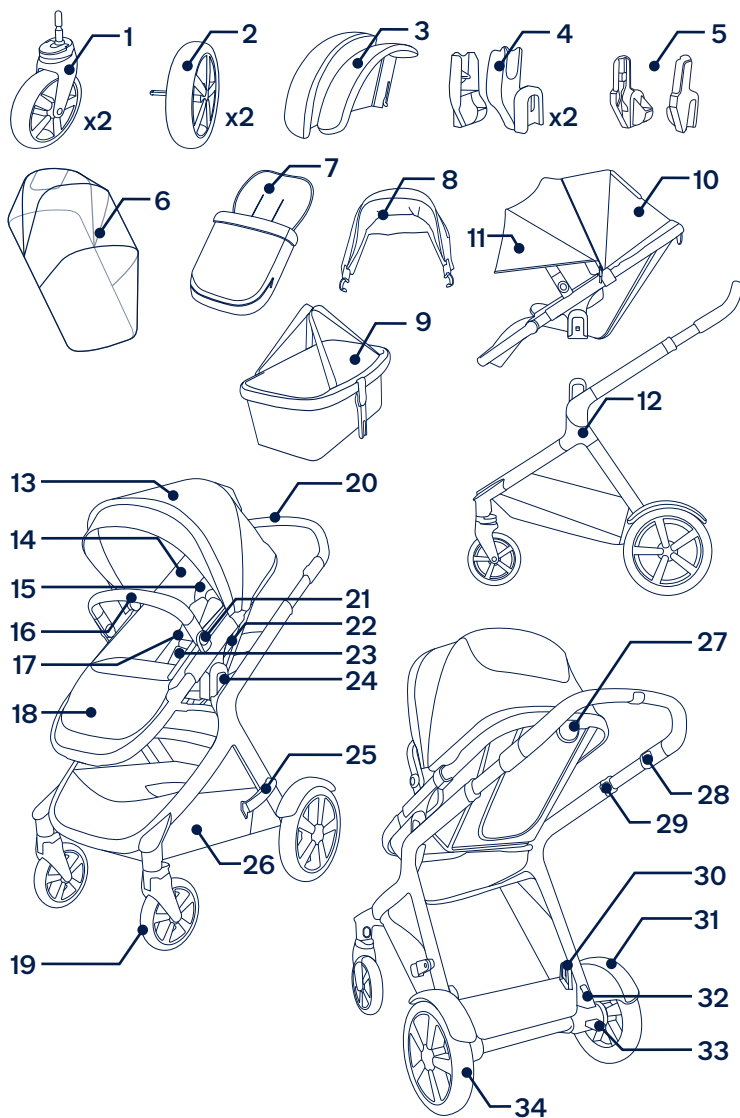
When using the DEMI grow with two children, ensure that they are positioned correctly in the seating areas only.

# Parts List

Make sure all parts are available before assembly. If any part is missing, please contact local retailer. No tools are required for assembly.

**! CHOKING HAZARD:** Remove and immediately discard protective end caps from each wheel and wheel hub axle.

- |    |                                    |    |   |
|----|------------------------------------|----|---|
| 1  | Front Wheel (x2)                   | 19 | Front Wheel                             |
| 2  | Rear Wheel (x2)                    | 20 | Pushchair Handle                        |
| 3  | Rear Fender                        | 21 | Arm Bar Adjustment Button               |
| 4  | Infant Car Seat Post Adaptors (x2) | 22 | Seat Release Button                     |
| 5  | Seat & Carry Cot Post Adaptors     | 23 | Buckle and Crotch Cover                 |
| 6  | Rain Cover                         | 24 | Upper Seat Mount                        |
| 7  | Footmuff                           | 25 | Storage Latch                           |
| 8  | Canopy                             | 26 | Storage Basket                          |
| 9  | Removable Basket                   | 27 | Recline Adjustment Button               |
| 10 | Pushchair/Sibling Seat             | 28 | Handle Adjustment Button                |
| 11 | Dream Drape™                       | 29 | Folding Button                          |
| 12 | Pushchair Frame                    | 30 | Lower Seat Mount                        |
| 13 | Canopy                             | 31 | Rear Fender                             |
| 14 | Seat Pad                           | 32 | Custom Dual Suspension Adjustment Lever |
| 15 | Head Support                       | 33 | Brake Lever                             |
| 16 | Arm Bar                            | 34 | Rear Wheel                              |
| 17 | Shoulder Harness Pads              |    |   |
| 18 | Calf Support                       |    |   |



# EN Product Set Up

## Open Pushchair

- 1 - Separate the storage latch from the storage mount. **(1)**
- 2 - Then, rotate the pushchair handle up. **(2)**
- 3 - A “click” sound means the pushchair frame is open completely. **(3)**

Check the pushchair frame is completely latched open before continuing.

## Rear Fenders

Attach the rear fenders for twin and double modes.

- 1 - Insert the rear fender into the rear leg. A “click” sound means the fender is assembled completely. **(4)**

Check the fender is securely attached by pulling up.

Repeat on opposite side.

## Rear Wheels

- 1 - Insert the rear wheel into the rear leg. A “click” sound means the rear wheel is assembled completely. **(5)**

Check the wheel is securely attached by pulling out.  
Repeat on opposite side.

- 2 - To remove the rear wheel, press the release button **(6)-1** and detach the rear wheel from the rear leg **(6)-2**.

## Front Wheels

- 1 - Insert the front wheel into the front leg. A “click” sound means the wheel is assembled completely. **(7)**

Check the wheel is securely attached by pulling out Repeat on opposite side.

- 2 - To remove the front wheel, press the release button **(8)-1** and detach the front wheel from the front leg **(8)-2**.

## Canopy

- 1 - Clip the canopy mount onto the pushchair/sibling seat on each side. **(9)**

- 2 - Zip the canopy to the pushchair/sibling seat. **(10)**

- 3 - To remove the canopy, open the zippers, then remove the canopy mounts. **(11)**

## Arm Bar

- 1 - Align the arm bar ends with the arm bar mounts, and insert until it clicks into place. A “click” sound means the arm bar is assembled completely. **(12)**

- 2 - To remove the arm bar, press the arm bar release buttons **(13)-1** located under seat pad, and remove the arm bar. **(13)-2**

- 3 - For a more compact fold, press the armbar adjustment buttons **(14)-1** and rotate the armbar down **(14)-2** until it clicks into place.

! Only use the down/stored position for folding. **NEVER** use this position with child in stroller.



## Pushchair/Sibling seat

The pushchair/sibling seat can be attached rear or forward facing.

- 1** - Align the sides of the pushchair/sibling seat with the seat mounts. Place the pushchair/sibling seat directly down until it clicks into place. A “click” sound means the pushchair/sibling seat is assembled completely. **(15)**
- 2** - To remove the pushchair/sibling seat, squeeze the seat release buttons **(16)-1** and lift the pushchair/sibling seat up **(16)-2**.

### Check Set Up

- Pushchair frame is latched open
- Rear fenders securely attached
- Rear wheels securely attached
- Front wheels securely attached
- Pushchair/sibling seat securely attached
- Canopy mount attached to pushchair frame and canopy zipped to seat pad

## Product Use

### Securing Your Child

- 1** - Push the center button on the buckle to release the buckle latch, remove the clips and place your child in the pushchair. **(17)**
- 2** - Connect the shoulder buckle and hip buckle. **(18)**
- 3** - Secure the shoulder buckle and hip buckle to the buckle latch and repeat on the opposite side. **(19)**
- 4** - Fit the harness snugly to your child by sliding the lower adjustment buckles (located under the harness covers) up **(20)-1**. Then pull the waist adjustment straps out. **(20)-2**

### Shoulder Harness Position

- 1** - The upper shoulder harness buckles can be moved up and down for added adjustment. **(21)**
- !** To avoid serious injury from falling or sliding out, always secure your child with the harness.

Make sure the harness is adjusted properly and your child is snugly secured. The space between the child and the shoulder harness should be about the thickness of one finger.

**DO NOT** cross the shoulder belts. This will cause pressure on your child’s neck.

### Shoulder Harness Pad Removal

To remove the shoulder harness pads, release the buckle.

- 1** - Slide the shoulder harness pad down off the shoulder buckle harness strap. **(22)**

To reattach the shoulder harness pad, undo the snaps and insert the shoulder harness buckle through the inside loop.

## Canopy

- 1 - To open the canopy, pull the canopy toward the front of the seat, and to fold, push it back. **(23)**
- 2 - Open the zipper on the canopy to use the dream drape™. **(24)**
- 3 - Pull down the dream drape™ for extra shade. **(25)**
- 4 - For added ventilation, flip the canopy window cover up. **(26)**

## Handle

The handle has 4 positions.

- 1 - To adjust the height of the handle, press the handle adjustment button **(27)-1** and pull the handle up or down **(27)-2**.

## Calf Support

The calf support has 2 use positions.

- 1 - To raise the calf support, lift up. To lower the calf support, press the adjustment button in the middle of the calf support **(28)-1**, and push down **(28)-2**.

## Recline

- 1 - There are 3 recline positions for the backrest. **(29)**
- 2 - To raise or lower the backrest, squeeze the recline adjustment button, and pull the seat up or down. **(30)**

## Seat Pad

Use the winter seat pad in cold weather to provide a comfortable seating area. The winter seat pad can be removed to provide a mesh seating area for better ventilation during hot weather.

- 1 - To remove the seat pad, unbuckle the harness, open the zipper around the seat pad and route the harness through the seat pad slots. **(31)**

! **DO NOT** remove the backrest tube.

## Brake

- 1 - To lock the rear wheels, step down on the brake lever. **(32)**
- 2 - To unlock the rear wheels, lift up on the brake lever. **(33)**

! Always apply the brake when the pushchair is stopped. Push the pushchair slightly to ensure the brake is engaged.

## Custom Dual Suspension™

The pushchair has two suspension modes. Make sure there is no weight placed on the pushchair when you are adjusting the rear suspension and that both levers are in the same position.

- 1 - Flip the adjustment lever up **(34)-1** when on rough terrain for a softer suspension and flip the adjustment levers down **(34)-2** when on smooth surfaces for a stiffer suspension.

When using as a double or twin, it is recommended to flip the adjustment levers down.

## Front Swivel Locks

It is recommended to use the front swivel locks on uneven surfaces.

- 1 - Pull the front swivel lock out to lock front wheel forward facing. (35)
- 2 - Push the front swivel lock in to unlock. (36)

## Fold

Before folding the pushchair, adjust the handle to the 2nd or 3rd highest position and make sure the front swivel locks are unlocked.

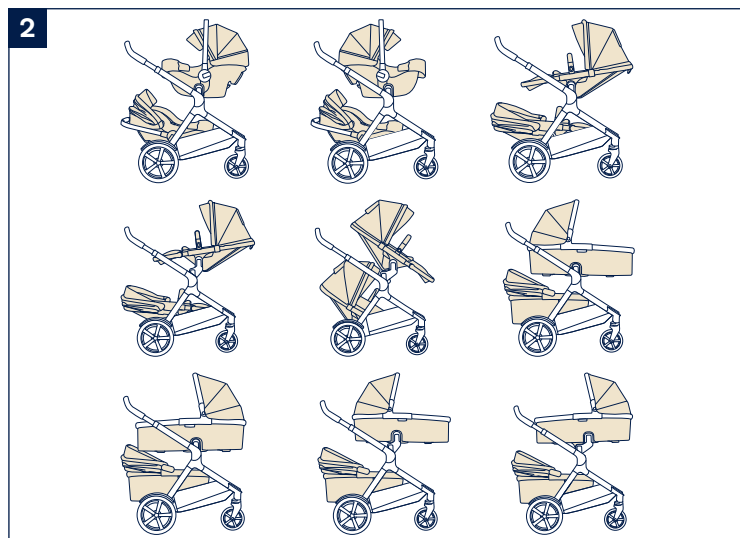
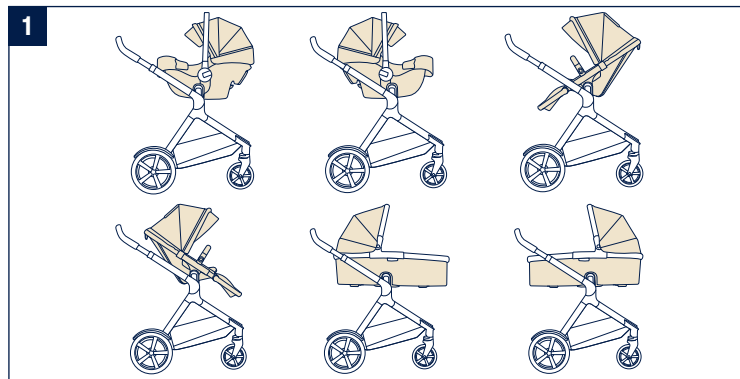
The pushchair can be folded with the pushchair/sibling seat facing forward or without the pushchair/sibling seat.

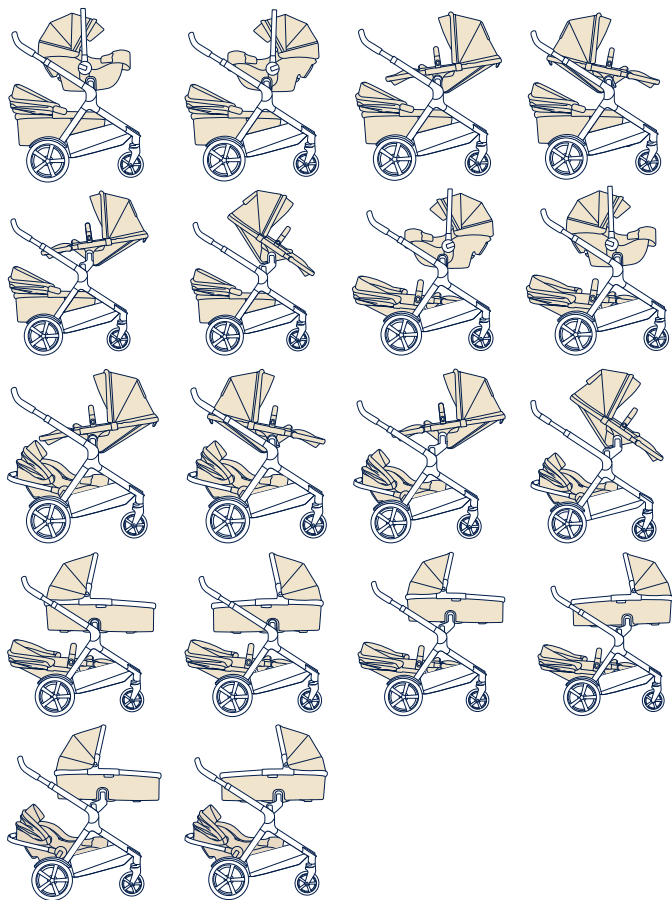
If folding with the seat, place the seat in the most reclined position for a more compact fold.

- 1 - Fold the canopy (37)-1, and rotate the storage latch out (37)-2.
- 2 - Lift both folding buttons. (38)
- 3 - Rotate the handle down and make sure the storage latch is closed on the pushchair frame. (39)
- 4 - Fold the calf support down for a more compact fold. (40)

## Seating Options

The DEMI grow pushchair frame can be used with the PIPA series infant carrier (using included adapters), DEMI grow carry cot and DEMI grow stroller/sibling seat in the following combinations. Single (1), twin (2), double (3)





## Seating Option Use

When using the pushchair frame with the pushchair/sibling seat, carry cot or infant carrier, fold the canopy when the pushchair/sibling seat, carry cot or infant carrier is assembled on the lower mount.

- ! Not all accessories are included on some models and not all modes are allowed.
- 1 - DO NOT** use the pushchair/sibling seat **(41)-1**, carry cot **(41)-2** or infant carrier **(41)-3** rear facing on the lower mount.
- 2 - DO NOT** adjust the backrest of the pushchair/sibling seat up, when it is assembled on the lower mount and the carry cot is assembled on the upper mount. **(42)**
- 3 - DO NOT** assemble the infant carrier on the lower mount when the bassinet is rear facing on the upper mount without the use of the Seat & Carry Cot Post Adaptors. **(43)**
- ! The carry cot can be assembled on the upper mount with seat & carry cot post adaptors when the infant carrier is assembled on the lower mount.
- 4 - DO NOT** adjust the infant carrier handle to the vertical position when the infant carrier is assembled on the lower mount. **(44)**
- ! Please use Seat & Carry Cot Post Adaptors (Part List#5) on upper mount when using sibling seat on the upper mount and lower mount simultaneously and both with front facing mode.

## Accessories

! Not all accessories are included on some models.

### DEMI grow Pushchair/Sibling Seat

When installing the pushchair/sibling seat in the lower mount, fold the canopy, adjust the calf support to its highest position, and fold the pushchair basket rear panel forward.

- 1 - To attach pushchair/sibling seat, align the sides of the pushchair/sibling seat with the seat mounts. **(45)**  
Place the pushchair/sibling seat directly down until it clicks into place. A “click” sound means the pushchair/sibling seat is attached. **(45)**
- ! Remove the pushchair/sibling seat from the lower mount before folding the pushchair.
- ! Please use seat & carry cot post adaptors on upper mount when using the upper mount and lower mount simultaneously and both with front facing mode.

### DEMI grow Carry Cot

For carry cot assembly and usage, please refer to the carry cot instruction manual.

When installing the carry cot in the lower mount, fold the canopy.

- 1 - To attach the carry cot, align the sides of the carry cot with the seat mounts. **(46)**  
Place the carry cot directly down until it clicks into place. A “click” sound means the carry cot is attached. **(46)**
- 2 - The carry cot can be installed rear or forward facing in the upper mount. **(47)**

- 3 - To remove the carry cot, press the carry cot release buttons **(48)-1** and lift up **(48)-2**.

! Remove the carry cot before folding the pushchair.

### DEMI grow Pushchair Removable Basket

Before assembling the removable basket, please fold the basket rear panel forwards.

- 1 - Rotate the supports on the both sides of removable basket downwards, and insert it into the mounts. **(49)**  
! Please pay attention to the direction for removable basket while assembling, a click sound means the removable basket is assembled correctly. **(49)**
- 2 - Raise it up to remove the removable basket. **(50)**

### DEMI grow Pushchair/Sibling Seat Rain Cover

Only use the pushchair rain cover on the pushchair/sibling seat in the upper mount. **(51)**

- 1 - To assemble the rain cover, place it over the pushchair/sibling seat.  
! **ALWAYS** check ventilation, when the rain cover is on the product.

**ALWAYS** check that the rain cover has been cleaned and dried before folding.

**DO NOT** fold the pushchair assembled with the rain cover.

**DO NOT** place your child into the pushchair assembled with rain cover during hot weather.

## DEMI grow Pushchair/Sibling Seat Footmuff

- 1 - For easier assembly of the footmuff, remove the arm bar, unbuckle the harness and remove the shoulder harness pads, crotch pads and head support. (52)
- 2 - Before placing the footmuff on the pushchair/sibling seat, unzip and open the front cover of the footmuff. (53)
- 3 - Place the footmuff on the pushchair/sibling seat and pull the shoulder harness webbing and buckles through the slots on the footmuff. (54) Reassemble the shoulder harness pads, crotch pads and head support and attach the arm bar.
- 4 - Zip on the front cover of the footmuff. (55)
- 5 - Fold the footmuff flap over the pushchair arm bar. (56)

## Infant Car Seat Post Adaptors

For infant carrier assembly and usage, please refer to the infant carrier instruction manual.

When installing the infant carrier in the lower mount, fold the canopy.

- 1 - To attach the infant car seat post adaptors, place the infant car seat post adaptors on the seat mounts. A “click” sound means the infant car seat post adaptors are attached. (57)
- 2 - To attach the infant carrier, place the infant carrier on the infant car seat post adaptors. A “click” sound means the infant carrier is attached. (58)
- 3 - To remove the infant carrier, push the pushchair release buttons on the infant carrier (59)-1 and lift up (59)-2.
- 4 - To remove the infant car seat post adaptors, pull the adapter release buttons (60)-1 and lift up (60)-2.

- 5 - The infant car seat post adaptors can be attached rear facing (61)-1 or forward facing (61)-2 in the upper mount.

! Remove the infant carrier before folding.

## Seat & Carry Cot Post Adaptors

! Only be able to assemble the seat & carry cot post adaptors on the upper mount.

! Please use seat & carry cot post adaptors on upper mount when using the upper mount and lower mount simultaneously and both with front facing mode.

- 1 - To attach seat & carry cot post adaptors, place them onto mounts as shown (62). A “click” sound means the seat & carry cot post adaptors are locked. (63)

! The correctly use of seat & carry cot post adaptors are shown as (64).

- 2 - To attach carry cot to the seat & carry cot post adaptors, place carry cot onto seat & carry cot post adaptors, A “click” sound means the carry cot is locked. (65)

! Please do not use carry cot on the upper seat when the seat back of lower seat is in vertical position.

- 3 - To attach seat to the seat & carry cot post adaptors, place seat onto seat & carry cot post adaptors, A “click” sound means the seat is locked. (66)

- 4 - To remove carry cot, press the carry cot release buttons (48)-1 and lift up (48)-2.

- 5 - To remove the seat, squeeze the seat release buttons (16)-1 and lift the seat up (16)-2.

- 6 - To remove seat & carry cot post adaptors, lift the seat & carry cot post adaptors upwards (67)-2 while pulling the release buttons. (67)-1

! Remove the seat & carry Cot before folding.

## EN Cleaning and Maintenance

Clean the frame, plastic parts, and fabric with a damp cloth, but do not use abrasives or bleach. Do not use silicon lubricants as they will attract dirt and grime. Do not store your pushchair in a damp place.

Clean the pushchair wheels regularly with water and remove any dirt.

To ensure long-lasting use, wipe this product off with a soft, absorbent cloth after using it in rainy weather.

Refer to the care labels attached to the soft goods for washing and drying instructions.

It is normal for fabric to color from sunlight and to show wear and tear after a long period of use, even when used normally.

For reasons of safety, only use original Nuna parts.

Check regularly if everything functions properly. If any parts are torn, broken, or missing, stop using this product.

**IMPORTANT !  
À LIRE ATTENTIVEMENT  
ET À CONSERVER  
POUR CONSULTATION  
ULTÉRIEURE**

## Sommaire

### Informations sur le produit

Enregistrement du produit	28
Garantie	28
Contact	28

### Exigences d'utilisation par les enfants

29

### Avertissements

30

### Liste des pièces

34

### Configuration du produit

36

### Options d'assise

43

### Utilisation du produit

45

### Accessoires

Siège de poussette DEMI grow	46
Nacelle DEMI grow	46
Utilisation du panier amovible	47
Housse de pluie pour poussette DEMI grow	47
Chancelière de la poussette DEMI grow	48
Dispositif de retenue pour bébé/enfant	49
Adaptateurs de support de siège et de nacelle	49

### Nettoyage et maintenance

51



## Informations sur le produit

Numéro de modèle : \_\_\_\_\_

Date de Fabrication : \_\_\_\_\_

### Enregistrement du produit

Veillez remplir les informations ci-dessus. Le numéro de modèle et la date de fabrication se situent sur une étiquette sur la partie inférieure du cadre de la poussette.

**Pour enregistrer votre produit, veuillez vous rendre sur le site suivant :**

[www.nunababy.com/register-gear](http://www.nunababy.com/register-gear)

### Garantie

Nous avons conçu spécialement nos produits de haute qualité afin qu'ils puissent accompagner le développement de votre enfant et de votre famille. Nous soutenons notre produit en couvrant notre matériel par une garantie personnalisée, commençant le jour de son achat. Ayez la preuve d'achat, le numéro de modèle et la date de fabrication à votre disposition lorsque vous nous contactez.

**Pour des informations sur la garantie, veuillez vous rendre sur le site suivant :**

[www.nunababy.com/warranty](http://www.nunababy.com/warranty)

### Contact

Pour des informations sur les pièces de rechange, le service ou des questions supplémentaires sur la garantie, veuillez contacter notre service client.

[info@nunababy.com](mailto:info@nunababy.com)

[www.nunababy.com](http://www.nunababy.com)

## Exigences d'utilisation par les enfants

Ce siège de poussette est adapté aux enfants répondant aux exigences suivantes :

**Enfant** : au moins 6 mois

**Poids** : jusqu'à 15 kg (33 lb) maximum

**Taille** : 114,3 cm (45 po.)

Il ne convient pas aux enfants de moins de 6 mois.

En cas d'utilisation du cadre de la poussette avec le berceau ou le siège bébé, consultez les exigences d'utilisation par les enfants apparaissant dans les manuels d'utilisation.

# AVERTISSEMENT

Ne pas suivre ces avertissements et instructions peut conduire à de sérieuses blessures ou la mort.

Toujours utiliser le système de retenue.

Vérifier que les dispositifs de fixation de la nacelle, du siège ou du siège-auto sont correctement enclenchés avant utilisation.

Ne pas laisser un enfant jouer avec ce produit.

S'assurer que tous les dispositifs de verrouillage sont enclenchés avant utilisation.

Ne jamais laisser un enfant sans surveillance.

Ce produit ne convient pas pour faire du jogging ou des promenades en rollers.

Pour éviter toute blessure, maintenir l'enfant à l'écart lors du dépliage et du pliage du produit.

Ce siège ne convient pas à des enfants de moins de 6 mois.

Les accessoires non homologués par le fabricant ne doivent pas être utilisés. Seules les pièces de rechange fournies ou conseillées par le fabricant/distributeur doivent être utilisées.

L'assemblage du produit doit être effectué par un adulte.

Enclenchez **TOUJOURS** le frein de stationnement lorsque vous vous arrêtez.

Tout dommage causé par l'utilisation d'accessoires non fournis par Nuna ne seront pas couverts en termes de garantie.

Les charges attachées à la poignée et/ou au dos du dossier et/ou sur les côtés du dispositif affectent la stabilité du dispositif.

Assurez-vous que la poussette est complètement dépliée et verrouillée avant de laisser votre enfant à proximité de la poussette.

**NE TRANSPORTEZ PAS** d'enfants, de biens ou d'accessoires supplémentaires dans ou sur la poussette, à l'exception des autorisations de ce manuel. Ils pourraient rendre la poussette instable.

**NE LAISSEZ PAS** la poussette exposée à proximité d'une source de chaleur comme un radiateur ou un feu ouvert.

**NE PLACEZ PAS** d'objets sur la voilure.

**NE CONSERVEZ PAS** la poussette dans un endroit humide. Laissez toujours sécher naturellement le tissu à l'écart des sources directes de chaleur.

**N'UTILISEZ PAS** le panier de rangement comme un porte-bébé.

**N'UTILISEZ PAS** la poussette si des pièces sont endommagées ou manquantes.

Chaque poussette/siège supplémentaire est destiné(e) à des enfants d'au moins 6 mois et jusqu'à 15 kg (33 lb) maximum ou une taille de 114,3 cm (45 po).

Pour les sièges auto utilisés avec un châssis, ce dispositif ne remplace pas un berceau ou un lit. Si votre enfant a besoin de dormir, il doit être placé dans un landau, un berceau ou un lit approprié.

Gardez les petites pièces à l'écart des enfants car elles présentent des risques d'étouffement.

Négociez les virages et les terrains délicats avec prudence. Les chocs répétés peuvent endommager la poussette.

**NE LAISSEZ JAMAIS** des enfants se tenir sur la poussette.

**NE TRANSPORTEZ JAMAIS** plus d'un enfant par siège.

**NE TRANSPORTEZ JAMAIS** plus de deux enfants à la fois dans la poussette.

**N'UTILISEZ JAMAIS** la poussette dans des escaliers ou des escaliers mécaniques. Vous risquez de perdre soudainement le contrôle de la poussette ou votre enfant risque de tomber.

Le harnais doit toujours être correctement adapté et ajusté. Le harnais ne se substitue pas à la surveillance correcte d'un adulte.

Le frein de stationnement doit être enclenché lorsque vous placez ou retirez l'enfant.

Une surcharge, un pliage incorrect et l'utilisation d'accessoires tels que des sièges enfants, des crochets pour sacs, des housses de pluie, des marche-pieds, etc. autres que ceux approuvés par Nuna peuvent endommager ou compromettre la sécurité de la poussette.

Les pneus en caoutchouc peuvent laisser des marques d'éraflures noires sur les surfaces lisses telles que le parquet, les sols stratifiés et le linoléum.

**RISQUE D'ÉTRANGLEMENT** Ne placez pas d'objets avec une ficelle autour du cou de votre enfant, ne suspendez aucune ficelle à ce produit et n'attachez aucune ficelle aux jouets.

Pour éviter tout risque de suffocation, retirez toutes les protections en plastique avant d'utiliser ce produit et détruisez-les ou conservez-les hors de portée des bébés et des enfants !

Pour éviter une situation instable et dangereuse, ne placez pas plus de 4,5 kg dans le panier de rangement/panier amovible.

L'utilisation de la poussette avec plus de 34,5 kg (76 lb) causera une usure et des contraintes excessives sur la poussette. 34,5 kg (76 lb) = 15 kg (33 lb) poussette/siège supplémentaire maximum + 15 kg (33 lb) poussette/siège supplémentaire maximum + 4,5 kg (10 lb) panier de rangement/panier amovible maximum.

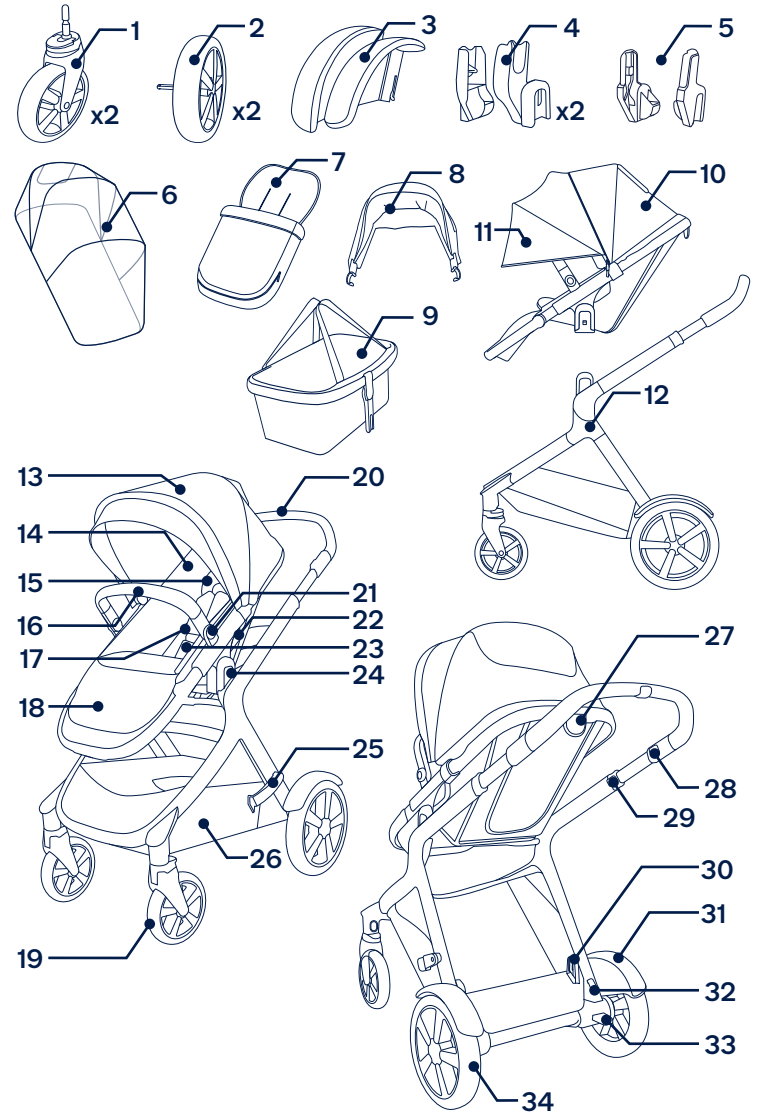
En cas d'utilisation de DEMI grow avec deux enfants, assurez-vous qu'ils sont positionnés correctement dans les assises uniquement.

# Liste des pièces

Assurez-vous que toutes les pièces sont présentes avant le montage. Si une pièce est manquante, contactez votre revendeur local. Le montage ne nécessite aucun outil.

**! RISQUE D'ÉTOUFFEMENT:** Retirez et jetez immédiatement les capuchons de protection de chaque roue et axe de moyeu de roue.

- |  |  |
|--|--|
| 1 Roue avant (x2)  | 20 Poignée de la poussette                                 |
| 2 Roue arrière (x2)  | 21 Bouton de réglage de la barre de retenue                |
| 3 Garde-boue arrière   | 22 Bouton d'éjection du siège                              |
| 4 Adaptateurs du dispositif de retenue pour bébé/enfant (x2) | 23 Cache de boucle et d'entrejambe                         |
| 5 Adaptateurs de support de siège et de nacelle              | 24 Support supérieur du siège                              |
| 6 Housse anti-pluie  | 25 Loquet de rangement                                     |
| 7 Chancelière  | 26 Panier de rangement                                     |
| 8 Voilure  | 27 Bouton de réglage de l'inclinaison                      |
| 9 Panier amovible  | 28 Bouton d'ajustement de la poignée                       |
| 10 Siège de poussette  | 29 Bouton de pliage  |
| 11 Dream Drape™  | 30 Support inférieur du siège                              |
| 12 Cadre de la poussette                                     | 31 Garde-boue arrière                                      |
| 13 Voilure   | 32 Levier de réglage de la double suspension personnalisée |
| 14 Coussin de siège  | 33 Levier de frein   |
| 15 Support de tête   | 34 Roue arrière  |
| 16 Barre de retenue  |  |
| 17 Coussinets du harnais d'épaules                           |  |
| 18 Repose-mollets  |  |
| 19 Roue avant  |  |



# Configuration du produit

## Ouverture de la poussette

- 1 - Séparez le loquet de rangement du support de rangement. (1)
- 2 - Tournez ensuite la poignée de la poussette vers le haut. (2)
- 3 - Vous entendrez un « clic » signifiant que le cadre de la poussette est complètement ouvert. (3)  
Vérifiez que le cadre de la poussette est complètement verrouillé en position ouverte avant de poursuivre.

## Garde-boue arrière

Fixez les garde-boue arrière pour le mode jumelle et double.

- 1 - Insérez le garde-boue arrière dans la patte arrière. Vous entendrez un « clic » signifiant que le garde-boue est complètement assemblé. (4)  
Assurez-vous que le garde-boue est bien fixé en le tirant vers le haut.  
Répétez sur le côté opposé.
- ! **NE RETIREZ PAS** les garde-boue arrière une fois assemblés.

## Roues arrière

- 1 - Insérez la roue arrière dans la patte arrière. Vous entendrez un « clic » signifiant que la roue arrière est complètement assemblée. (5)  
Assurez-vous que la roue est bien fixée en tirant dessus.  
Répétez sur le côté opposé.

- 2 - Pour retirer la roue arrière, appuyez sur le bouton de déverrouillage (6)-1 et détachez la roue arrière de la patte arrière (6)-2.

## Roues avant

- 1 - Insérez la roue avant dans la patte avant. Vous entendrez un « clic » signifiant que la roue est complètement assemblée. (7)  
Assurez-vous que la roue est bien fixée en tirant dessus.  
Répétez sur le côté opposé.
- 2 - Pour retirer la roue avant, appuyez sur le bouton de déverrouillage (8)-1 et détachez la roue avant de la patte avant (8)-2.

## Voilure

- 1 - Attachez le support de voilure sur le siège de poussette de chaque côté. (9)
- 2 - Fermez la fermeture éclair de la voilure sur le siège de poussette. (10)
- 3 - Pour retirer la voilure, ouvrez les fermetures éclair puis retirez les supports de voilure. (11)

## Barre de retenue

- 1 - Alignez les extrémités de la barre de retenue avec les supports de la barre de retenue et insérez-la jusqu'à ce qu'elle s'enclenche. Vous entendrez un « clic » signifiant que la barre de retenue est complètement assemblée. (12)
- 2 - Pour retirer la barre de retenue, appuyez sur les boutons de déverrouillage de la barre de retenue (13)-1 situés sous le coussin de siège, puis retirez la barre de retenue. (13)-2

- 3** - Pour un pliage plus compact, appuyez sur les boutons de réglage de la barre de retenue **(14)-1** et faites tourner la barre de retenue vers le bas **(14)-2** jusqu'à ce qu'elle s'enclenche en place.

! Utilisez uniquement la position basse/rangée pour le pliage. **N'UTILISEZ JAMAIS** cette position avec un enfant dans la poussette.

## Siège de poussette

Le siège de poussette peut être attaché orienté vers l'arrière ou vers l'avant.

- 1** - Alignez les côtés du siège de poussette avec les supports du siège. Placez le siège de poussette directement vers le bas jusqu'à ce qu'il s'enclenche. Vous entendrez un « clic » signifiant que le siège de poussette est complètement assemblé. **(15)**
- 2** - Pour retirer le siège de poussette, appuyez sur les boutons de déverrouillage du siège de poussette **(16)-1** et soulevez le siège de poussette **(16)-2**.

### Vérification de la configuration

- Le cadre de la poussette est verrouillé en position ouverte
- Garde-boue arrière bien fixés
- Roues arrière bien fixées
- Roues avant bien fixées
- Siège de poussette bien fixé
- Support de voilure fixé au cadre de la poussette et fermeture éclair de la voilure fermée sur le coussin de siège

## Utilisation du produit

### Attacher votre enfant

- 1** - Appuyez sur le bouton central de la boucle pour déverrouiller le loquet de la boucle, retirez les attaches et placez votre enfant dans la poussette. **(17)**
- 2** - Reliez la boucle du harnais d'épaules et la boucle du harnais de hanches. **(18)**
- 3** - Fixez la boucle du harnais d'épaules et la boucle du harnais de hanches au loquet de la boucle et répétez sur le côté opposé. **(19)**
- 4** - Ajustez bien le harnais sur votre enfant en faisant coulisser les boucles inférieures de réglage (situées sous les caches du harnais) vers le haut **(20)-1**. Tirez ensuite les sangles de réglage ventral. **(20)-2**

### Position du harnais d'épaules

- 1** - Les boucles supérieures du harnais d'épaules peuvent être montées et descendues pour améliorer le réglage. **(21)**
- ! Pour éviter des blessures graves causées par des chutes ou des glissades, attachez toujours votre enfant avec un harnais.

Assurez-vous que le harnais est réglé correctement et que votre enfant est bien attaché. L'espace entre l'enfant et le harnais pour épaules doit faire environ l'épaisseur d'un doigt.

**NE CROISEZ PAS** les ceintures d'épaules. Cela peut causer une pression sur le cou de votre enfant.

## Retrait des coussinets du harnais d'épaules

Pour retirer les coussinets du harnais d'épaules, déverrouillez la boucle.

- 1 - Faites coulisser le coussinet du harnais d'épaules vers le bas le long de la sangle du harnais d'épaules à boucle. **(22)**

Pour rattacher le coussinet du harnais d'épaules, détachez les boutons-pression et insérez la boucle du harnais d'épaules dans la boucle intérieure.

## Voilure

- 1 - Pour ouvrir la voilure, tirez la voilure vers l'avant du siège. Pour la plier, repoussez-la. **(23)**
- 2 - Ouvrez la fermeture éclair de la voilure pour utiliser le drap de sommeil. **(24)**
- 3 - Baissez le drap de sommeil pour obtenir davantage d'ombre. **(25)**
- 4 - Pour davantage de ventilation, relevez le cache de la fenêtre de la voilure. **(26)**

## Poignée

La poignée comporte 4 positions.

- 1 - Pour régler la hauteur de la poignée, appuyez sur le bouton de réglage de la poignée **(27)-1** et tirez la poignée vers le haut ou le bas **(27)-2**.

## Repose-mollets

Le repose-mollets comporte 2 positions d'utilisation.

- 1 - Pour relever le repose-mollets, soulevez-le. Pour abaisser le repose-mollets, appuyez sur le bouton de réglage au milieu du repose-mollets **(28)-1**, puis poussez vers le bas **(28)-2**.

## Position

- 1 - Le dossier comporte 3 positions d'inclinaison. **(29)**
- 2 - Pour relever ou abaisser le dossier, appuyez sur le bouton de réglage de l'inclinaison et tirez le siège vers le haut ou le bas. **(30)**

## Coussin de siège

Utilisez le coussin de siège d'hiver par temps froid pour procurer une zone assise confortable. Le coussin de siège d'hiver peut être retiré pour fournir une zone assise en toile, pour une meilleure aération par temps chaud.

- 1 - Pour retirer le coussin de siège, détachez la boucle du harnais, ouvrez la fermeture éclair autour du coussin de siège et faites passer le harnais dans les fentes du coussin de siège. **(31)**

**!** NE RETIREZ PAS le tube du dossier.

## Frein

- 1 - Pour verrouiller les roues arrière, appuyez sur le levier de frein. **(32)**
  - 2 - Pour déverrouiller les roues arrière, soulevez le levier de frein. **(33)**
- !** Actionnez toujours le frein lorsque la poussette est arrêtée. Poussez légèrement la poussette pour vous assurer que le frein est enclenché.

## Dual Suspension™ personnalisée

La poussette dispose de deux modes de suspension. Assurez-vous qu'aucun poids n'est placé sur la poussette lorsque vous réglez la suspension arrière et que les deux leviers sont dans la même position.

- 1 - Relevez les leviers de réglage (34)-1 sur terrains difficiles pour une suspensions plus souple et abaissez les leviers de réglage (34)-2 sur des surfaces lisses pour une suspension plus rigide.

En cas d'utilisation en mode double ou jumelle, il est conseillé d'abaisser les leviers de réglage

## Verrous de pivot avant

Il est recommandé d'utiliser les verrous de pivot avant sur les surfaces irrégulières.

- 1 - Tirez sur le verrou de pivot avant pour verrouiller la roue avant orientée vers l'avant. (35)
- 2 - Appuyez sur le verrou de pivot avant pour le déverrouiller. (36)

## Pliage

Avant de plier la poussette, réglez la poignée sur la 2e ou la 3e position la plus haute et assurez-vous que les verrous de pivot avant sont déverrouillés.

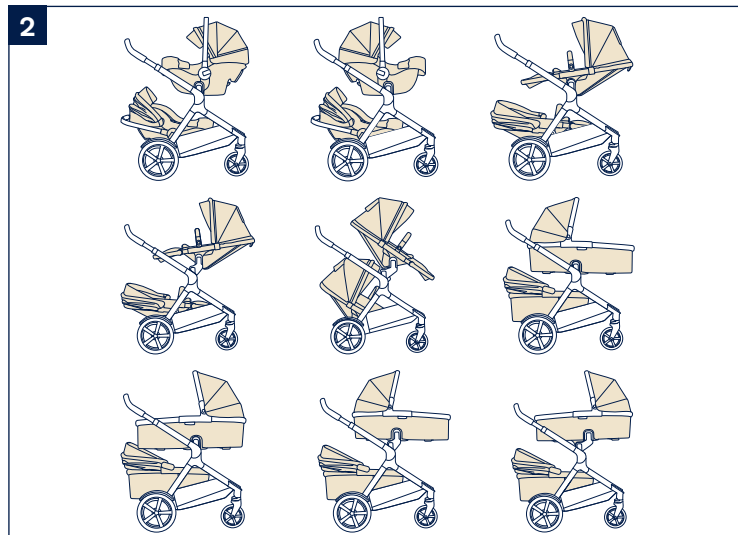
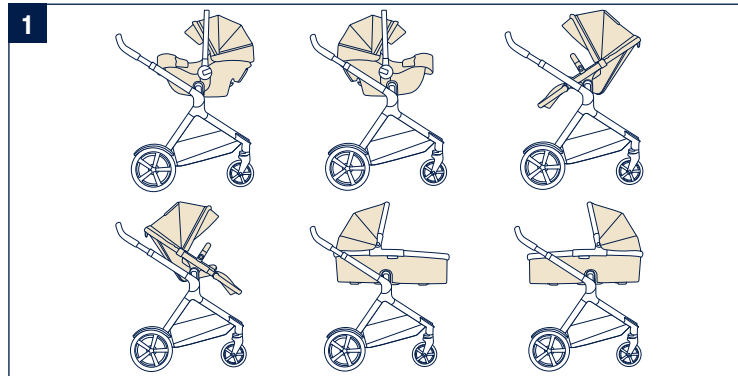
La poussette peut être pliée avec le siège de poussette orienté vers l'avant ou sans le siège de poussette.

En cas de pliage avec le siège, placez le siège dans la position la plus inclinée pour un pliage plus compact.

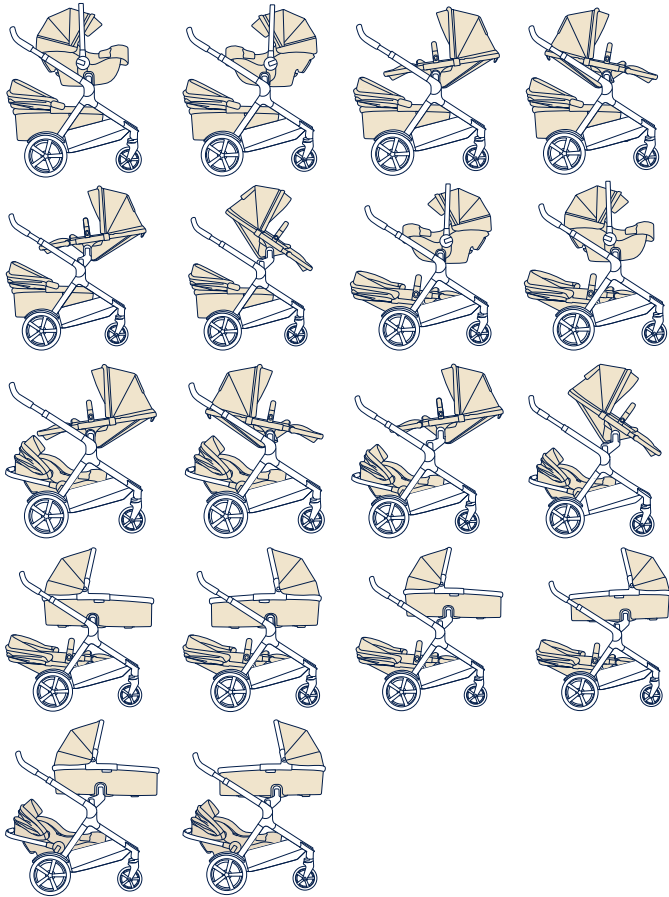
- 1 - Pliez la voilure (37)-1, et tournez le loquet de rangement vers l'extérieur (37)-2.
- 2 - Soulevez les deux boutons de pliage. (38)
- 3 - Tournez la poignée vers le bas et assurez-vous que le loquet de rangement est fermé sur le cadre de la poussette. (39)
- 4 - Pliez le repose-mollets vers le bas pour un pliage plus compact. (40)

## Options d'assise

Le cadre de la poussette DEMI grow peut être utilisé avec le PIPA série siège bébé (à l'aide des adaptateurs inclus), la DEMI grow nacelle et le siège de DEMI grow poussette/jumeau dans les combinaisons suivantes. Individuel (1), jumeau (2), double (3)







## Utilisation des options d'assise

En cas d'utilisation du cadre de la poussette avec le siège de poussette, le berceau ou le siège bébé, pliez la voilure lorsque le siège de poussette, le berceau ou le siège bébé sont assemblés sur le support inférieur.

! Certains modèles ne disposent pas de tous les accessoires et tous les modes ne sont pas autorisés.

- 1 - **N'UTILISEZ PAS** le siège de poussette (41)-1, le berceau (41)-2 ou le siège bébé (41)-3 orientés vers l'arrière sur le support inférieur.
- 2 - **NE RÉGLEZ PAS** le dossier du siège de poussette vers le haut lorsqu'il est assemblé sur le support inférieur et le berceau est assemblé sur le support supérieur. (42)
- 3 - Il n'est pas conseillé d'assembler le berceau sur le montant supérieur seul lorsque le siège bébé est assemblé sur le montant inférieur. (43)
  - ! Le berceau peut être assemblé sur le montant supérieur avec les adaptateurs de support de siège et de nacelle lorsque le siège bébé est assemblé sur le montant inférieur.
- 4 - **NE RÉGLEZ PAS** la poignée du siège bébé en position verticale lorsque le siège bébé est assemblé sur le support inférieur. (44)
  - ! Veuillez utiliser les Adaptateurs de support de siège et de nacelle ( Liste des pièces #5) sur le montant supérieur en cas d'utilisation simultanée du montant supérieur et du montant inférieur et les deux en mode face à la route.

# Accessoires

! Les accessoires ne sont pas tous inclus selon le modèle.

## Siège de poussette DEMI™grow

En cas d'installation du siège de poussette dans le support inférieur, pliez la voilure, réglez le repose-mollets à sa position la plus haute et pliez le panneau arrière du panier de la poussette vers l'avant.

**1** - Pour fixer le siège de poussette, alignez les côtés du siège de poussette avec les supports du siège. **(45)**

Placez le siège de poussette directement vers le bas jusqu'à ce qu'il s'enclenche. Vous entendrez un « clic » signifiant que le siège de poussette est fixé. **(45)**

! Retirez le siège de poussette du support inférieur avant de plier la poussette.

! Veuillez utiliser les adaptateurs de support de siège et de nacelle sur le montant supérieur en cas d'utilisation simultanée du montant supérieur et du montant inférieur et les deux en mode face à la route.

## Nacelle DEMI grow

Pour l'assemblage et l'utilisation du berceau, veuillez consulter le manuel d'utilisation du berceau.

En cas d'installation du berceau dans le support inférieur, pliez la voilure.

**1** - Pour fixer le berceau, alignez les côtés du berceau avec les supports du siège. **(46)**

Placez le berceau directement vers le bas jusqu'à ce qu'il s'enclenche. Vous entendrez un « clic » signifiant que le berceau est fixé. **(46)**

**2** - Le berceau peut être installé orienté vers l'arrière ou vers l'avant dans le support supérieur. **(47)**

**3** - Pour retirer le berceau, appuyez sur les boutons de déverrouillage du berceau **(48)**-1 et soulevez-le **(48)**-2.

! Retirez le berceau avant de plier la poussette.

## Utilisation du panier amovible

Avant d'assembler le panier amovible, veuillez plier le panneau arrière du panier vers l'avant.

**1** - Tournez les supports des deux côtés du panier amovible vers le bas, puis insérez-le dans les montants. **(49)**

! Veuillez faire attention au sens du panier amovible lors de l'assemblage, un clic signifie que le panier amovible est assemblé correctement. **(49)**

**2** - Soulevez-le pour retirer le panier amovible. **(50)**

## Housse de pluie pour poussette DEMI grow

Utilisez uniquement la housse de pluie de la poussette sur le siège de poussette dans le support supérieur. **(51)**

**1** - Pour assembler la housse de pluie, placez-la par-dessus le siège de poussette.

! Vérifiez **TOUJOURS** l'aération, lorsque la housse de pluie est placée sur le produit.

Vérifiez **TOUJOURS** que la housse de pluie a été nettoyée et séchée avant le pliage.

**NE PLIEZ PAS** assemblée la poussette avec la housse de pluie.

**NE PLACEZ PAS** votre enfant dans la poussette avec la housse anti-pluie installée par temps chaud.

## Chancelière de poussette DEMI grow

- 1 - Pour faciliter l'assemblage de la chancelière, retirez la barre de retenue, détachez la boucle du harnais et retirez les coussinets du harnais d'épaules, les coussinets d'entrejambe et le support de tête. **(52)**
- 2 - Avant de placer la chancelière sur le siège de poussette, ouvrez la fermeture éclair et ouvrez le cache avant de la chancelière. **(53)**
- 3 - Placez la chancelière sur le siège de poussette et tirez les sangles et les boucles du harnais d'épaules dans les fentes de la chancelière. **(54)** Remontez les coussinets du harnais d'épaules, les coussinets d'entrejambe et le support de tête, puis fixez la barre de retenue.
- 4 - Fermez la fermeture éclair du cache avant de la chancelière. **(55)**
- 5 - Pliez le volet de la chancelière sur la barre de retenue de la poussette. **(56)**

## Dispositif de retenue pour bébé/enfant

Pour l'assemblage et l'utilisation du siège bébé, veuillez consulter le manuel d'utilisation du siège bébé.

En cas d'installation du siège bébé dans le support inférieur, pliez la voilure.

- 1 - Pour fixer les adaptateurs de support de siège auto pour bébé, placez les adaptateurs de support de siège auto pour bébé sur les supports du siège. Vous entendrez un « clic » signifiant que les adaptateurs de support de siège auto pour bébé sont fixés. **(57)**
- 2 - Pour fixer le siège bébé, placez le siège bébé sur les adaptateurs de support de siège auto pour bébé. Vous entendrez un « clic » signifiant que le siège bébé est fixé. **(58)**
- 3 - Pour retirer le siège bébé, appuyez sur les boutons de déverrouillage de la poussette sur le siège bébé **(59)-1** et soulevez-le **(59)-2**.
- 4 - Pour retirer les adaptateurs de support de siège auto pour bébé, appuyez sur les boutons de déverrouillage des adaptateurs **(60)-1** et soulevez-les **(60)-2**.
- 5 - Les adaptateurs de support de siège auto pour bébé peuvent être fixés orientés vers l'arrière **(61)-1** ou orientés vers l'avant **(61)-2** dans le support supérieur.
  - ! Retirez le siège bébé avant le pliage.

## Adaptateurs de support de siège et de nacelle

- ! Assemblage des adaptateurs de support de siège et de nacelle uniquement possible sur le montant supérieur.

! Veuillez utiliser les adaptateurs de support de siège et de nacelle sur le montant supérieur en cas d'utilisation simultanée du montant supérieur et du montant inférieur et les deux en mode face à la route.

- 1 - Pour fixer les adaptateurs de support de siège et de nacelle, placez-les sur les montants comme indiqué **(62)**. Un "décllic" signifie que les adaptateurs de support de siège et de nacelle sont verrouillés. **(63)**
- ! L'utilisation correcte des adaptateurs de support de siège et de nacelle est indiquée en **(64)**.
- 2 - Pour fixer la nacelle aux adaptateurs de support de siège et de nacelle, placez la nacelle sur les adaptateurs de support de siège et de nacelle. Un "décllic" signifie que la nacelle est verrouillée. **(65)**
- ! Veuillez ne pas utiliser la nacelle sur le siège supérieur lorsque le dossier du siège inférieur est en position verticale.
- 3 - Pour fixer le siège aux adaptateurs de support de siège et de nacelle, placez le siège sur les adaptateurs de support de siège et de nacelle. Un "décllic" signifie que le siège est verrouillé. **(66)**
- 4 - Pour retirer la nacelle, appuyez sur les boutons de déverrouillage de la nacelle **(48)-1** et soulevez **(48)-2**.
- 5 - Pour retirer le siège, pressez les boutons de déverrouillage du siège **(16)-1** et soulevez le siège **(16)-2**.
- 6 - Pour retirer les adaptateurs de support de siège et de nacelle, soulevez les adaptateurs de support de siège et de nacelle **(67)-2** tout en tirant les boutons de déverrouillage. **(67)-1**
- ! Retirez le siège et la nacelle avant de plier.

## Nettoyage et maintenance

Nettoyez le cadre, les pièces en plastique et le tissu à l'aide d'un chiffon humide, mais n'utilisez pas d'abrasifs ou d'eau de Javel. N'utilisez pas de lubrifiants à base de silicone car ils attirent la saleté et la crasse. Ne conservez pas votre poussette dans un endroit humide.

Nettoyez régulièrement les roues de la poussette avec de l'eau et retirez la saleté.

Pour garantir une longue durée d'utilisation, essuyez ce produit à l'aide d'un chiffon doux et absorbant après l'avoir utilisé par temps de pluie.

Consultez les étiquettes d'entretien attachée aux pièces souples pour obtenir les instructions de lavage et de séchage.

La coloration du tissu exposé au soleil est normale, tout comme les signes d'usure et de déchirement après une longue période d'utilisation, même normale.

Pour des raisons de sécurité, n'utilisez que les pièces Nuna d'origine.

Vérifiez régulièrement si tout fonctionne correctement. Si des éléments sont déchirés, cassés ou manquants, arrêtez d'utiliser ce produit.

**WICHTIG!  
SORGFÄLTIG LESEN  
UND ZUM KÜNFTIGEN  
NACHSCHLAGEN  
AUFBEWAHREN**

## Inhalt

### Produktdaten

Produktregistrierung	54
Garantie	54
Kontakt	54

### Anforderungen an die Nutzung mit Kind

Warnhinweise	56
--------------	----

### Teileliste

60

### Produkt aufbauen

62

### Produkt verwenden

65

### Sitzoptionen

69

### Zubehör

Kinderwagensitz DEMI grow	72
Babykorb DEMI grow	73
Abnehmbarer Korb verwenden	73
Regenschutz DEMI grow	74
Fußsack DEMI grow	74
Kinderrückhaltesystem	75
Stangenadapter für Sitz und Babyschale	75

### Reinigung und Wartung

77

## Produktdaten

Modellnummer: \_\_\_\_\_

Fertigungsdatum: \_\_\_\_\_

### Produktregistrierung

Bitte tragen Sie die obigen Informationen ein. Modellnummer und Fertigungsdatum befindet sich auf einem Schild an der Unterseite des Kinderwagengestells.

**Bitte registrieren Sie Ihr Produkt unter:**

[www.nunababy.com/register-gear](http://www.nunababy.com/register-gear)

### Garantie

Wir haben unsere hochwertigen Produkte so entwickelt, dass Sie mit Ihrem Kind und Ihrer Familie wachsen. Da wir uns durch unsere Produkte hervorheben, ist unser Sortiment je nach Produkt durch eine angepasste Garantie ab Kaufdatum abgedeckt. Bitte halten Sie bei Kontaktaufnahme mit uns Kaufbeleg, Modellnummer und Fertigungsdatum bereit.

**Garantieinformationen finden Sie unter:**

[www.nunababy.com/warranty](http://www.nunababy.com/warranty)

### Kontakt

Wenden Sie sich für Ersatzteile, Service und weitere Garantiefragen an unseren Kundendienst.

[info@nunababy.com](mailto:info@nunababy.com)

[www.nunababy.com](http://www.nunababy.com)

## Anforderungen an die Nutzung mit Kind

Dieser Kinderwagensitz eignet sich für Kinder, die folgende Anforderungen erfüllen:

**Kind:** mindestens 6 Monate

**Gewicht:** bis zu 15 kg (33 lb)

**Höhe:** 114,3 cm

Nicht für Kinder unter 6 Monaten geeignet.

Wenn Sie das Kinderwagengestell mit dem Babykorb oder der Babyschale verwenden, beachten Sie die in den Anleitungen gelisteten Nutzungsanforderungen.

# **WARNHINWEISE**

**Nichtbeachtung dieser Warnungen und Anweisungen könnte zu schweren Verletzungen oder zum Tode führen.**

Verwenden Sie immer das Rückhaltesystem.

Vergewissern Sie sich vor der Verwendung, dass der Kinderwagenaufsatz oder der Sitzeinheit oder die Befestigungselemente des Autositzes korrekt eingerastet sind.

Lassen Sie das Kind nicht mit dem Produkt spielen.

Vergewissern Sie sich vor Gebrauch, dass alle Verriegelungen eingerastet sind.

Lassen Sie das Kind nie unbeaufsichtigt.

Dieses Produkt ist nicht zum Joggen oder Skaten geeignet.

Vergewissern Sie sich, dass das Kind beim Aufklappen und Zusammenklappen des Wagens außer Reichweite ist, um Verletzungen zu vermeiden.

Diese Sitzeinheit ist für Kinder unter 6 Monaten nicht geeignet.

Nicht vom Hersteller zugelassenes Zubehör sollte nicht verwendet werden. Verwenden Sie nur vom Hersteller/Händler gelieferte oder empfohlene Ersatzteile.

Das Produkt muss von einem Erwachsenen montiert werden.

Verwenden Sie **IMMER** die Feststellbremse, wenn Sie anhalten.

Jegliche durch den Einsatz von Zubehörteilen, die nicht von Nuna bereitgestellt wurden, verursachten Schäden werden nicht durch die Garantie abgedeckt.

Jegliche am Griff und/oder an der Rückseite der Rückenlehne und/oder an den Seiten des Fahrzeugs angebrachte Last wirkt sich auf die Stabilität des Fahrzeugs aus.

Achten Sie darauf, dass der Kinderwagen vollständig montiert und verriegelt ist, bevor Sie Ihr Kind in die Nähe des Kinderwagens lassen.

Transportieren Sie **KEINE** zusätzlichen Kinder, Waren, Zubehörteile im oder auf diesem Kinderwagen, sofern dies in dieser Anleitung nicht erlaubt ist. Andernfalls kann der Kinderwagen instabil werden.

Lassen Sie den Kinderwagen **NICHT** in der Nähe von Hitzequellen wie Heizungen oder offenem Feuer stehen.

Legen Sie **NICHTS** auf das Verdeck.

Bewahren Sie den Kinderwagen **NICHT** an einem feuchten Ort auf. Lassen Sie die Textilien immer auf natürliche Weise trocknen, ohne direkte Hitzeeinwirkung.

Verwenden Sie den Ablagekorb **NICHT** als Kindersitz.

Verwenden Sie den Kinderwagen **NICHT**, falls irgendwelche Teile beschädigt sind oder fehlen.

Jeder Kinderwagen/Geschwistersitz ist auf ein Kind ab 6 Monaten bis zu einem Gewicht von maximal 15 kg oder einer Körpergröße von maximal 114,3 cm ausgelegt.

Auch wenn ein Kind in diesem Sitz gesichert durch Gurte liegen kann, ist er kein Ersatz für ein Bett. Falls Ihr Kind müde ist, sollten Sie es in einen geeigneten Kinderwagen, ein Gitter- bzw. Babybett legen.

Halten Sie Kleinteile von Kindern fern; es besteht Verschluckungsgefahr.

Achten Sie auf Bordsteine und Bodenunebenheiten. Wiederholte Erschütterungen können den Kinderwagen beschädigen.

Lassen Sie Kinder **NIEMALS** auf dem Kinderwagen stehen.

Transportieren Sie **NIE** mehr als ein Kind je Sitz.

Transportieren Sie in dem Kinderwagen **NIE** mehr als zwei Kinder gleichzeitig.

Transportieren Sie den Kinderwagen **NIEMALS** über Treppenstufen oder Rolltreppen. Sie könnten plötzlich Kontrolle über den Kinderwagen verlieren oder Ihr Kind könnte herausfallen.

Der Gurt muss immer richtig angebracht und angepasst werden. Der Gurt ist kein Ersatz für angemessene elterliche Aufsicht.

Nutzen Sie die Feststellbremse, wenn Sie das Kind hineinlegen oder herausnehmen.

Überlastung, falsches Aufklappen und der Einsatz von Zubehörteilen wie Kindersitzen, Taschenhaken, Regenschutzabdeckungen, Buggyhalterungen etc., die nicht von Nuna zugelassen sind, können den Kinderwagen beschädigen und Gefahren verursachen.

Gummireifen können schwarze Spuren auf glatten Oberflächen, wie Parkett, Laminat und Linoleum hinterlassen.

**STRANGULATIONSGEFAHR** Legen Sie keine Gegenstände mit einer Schnur um den Hals Ihres Kindes, hängen Sie keine Schnüre an diesem Produkt auf, bringen Sie keine Schnüre an Spielzeugen an.

Vermeiden Sie Erstickungsgefahr, indem Sie vor Benutzung des Produktes sämtliche Kunststoffabdeckungen entfernen und zerstören oder außerhalb der Reichweite von Kindern aufbewahren!

Beladen Sie den Einkaufskorb / abnehmbaren Korb zur Vermeidung von Gefahren und Instabilität nicht mit mehr als 4,5 kg.

Eine Verwendung des Kinderwagens mit mehr als 34,5 kg verursacht übermäßigen Verschleiß und Überlastung des Kinderwagens. 34,5 kg = max. 15 kg Kinderwagen/Geschwistersitz + max. 15 kg Kinderwagen/Geschwistersitz + max. 4,5 kg Aufbewahrungskorb/abnehmbarer Korb.

Achten Sie bei Verwendung des DEMI grow mit zwei Kindern darauf, dass sie richtig in den Sitzbereichen positioniert sind.

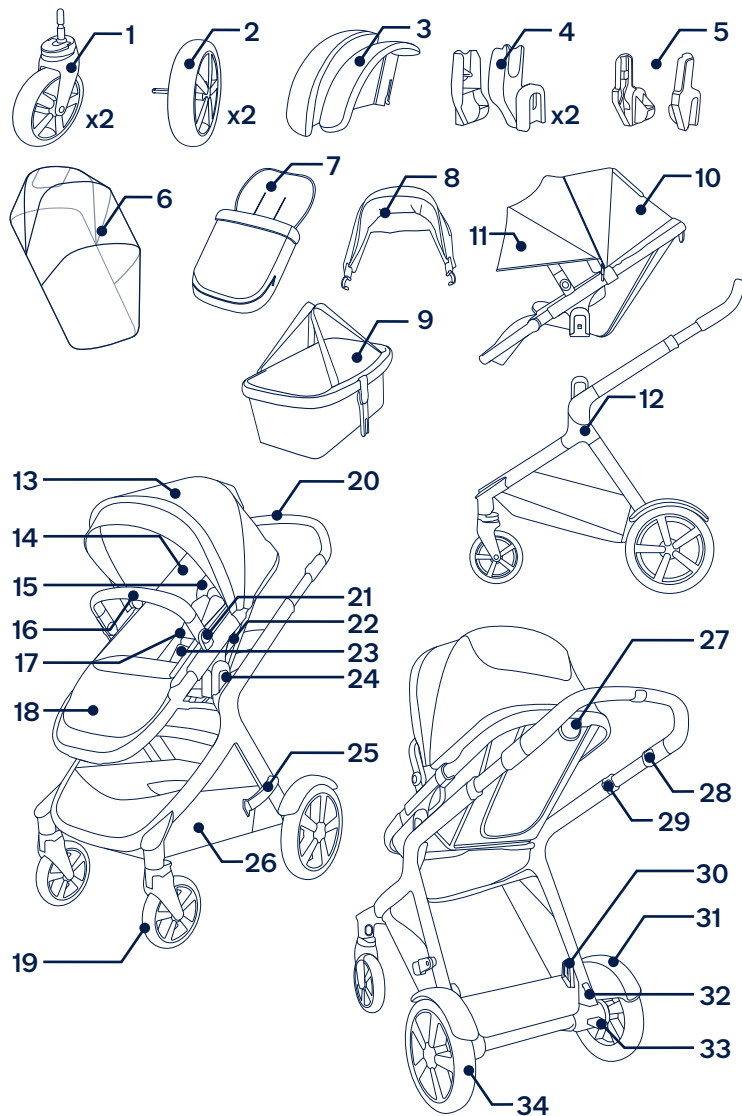


# Teileliste

Stellen Sie vor der Montage sicher, dass alle Teile vorhanden sind. Falls etwas fehlen sollte, wenden Sie sich an Ihren Händler vor Ort. Für die Montage werden keine Werkzeuge benötigt.

**! VERSCHLUCKUNGSGEFAHR:** Entfernen und entsorgen Sie umgehend alle Abschlusschutzkappen von Rädern und Radachse.

- |  |  |
|--|--|
| 1 Vorderrad (x2)                         | 18 Wadenstütze                             |
| 2 Hinterrad (x2)                         | 19 Vorderrad                               |
| 3 Hinteres Schutzblech                   | 20 Kinderwagengriff                        |
| 4 Kinderrückhaltesystem-adapter (x2)     | 21 Armlehnen-Einstellknopf                 |
| 5 Stangenadapter für Sitz und Babyschale | 22 Sitzfreigabeknopf                       |
| 6 Regenschutz                            | 23 Verschluss- und Schrittpolster          |
| 7 Fußsack                                | 24 Obere Sitzhalterung                     |
| 8 Verdeck                                | 25 Aufbewahrungsriegel                     |
| 9 Abnehmbarer Korb                       | 26 Ablagekorb                              |
| 10 Kinderwagensitz                       | 27 Neigungseinstellknopf                   |
| 11 Dream Drape™                          | 28 GriffEinstellknopf                      |
| 12 Kinderwagengestell                    | 29 Zusammenklappknopf                      |
| 13 Verdeck                               | 30 Untere Sitzhalterung                    |
| 14 Sitzauflage                           | 31 Hinteres Schutzblech                    |
| 15 Kopflehne                             | 32 Hebel der angepassten dualen Aufhängung |
| 16 Armlehne                              | 33 Bremshebel                              |
| 17 Schultergurtpolster                   | 34 Hinterrad                               |



# Produkt aufbauen

## Kinderwagen auseinanderklappen

- 1 - Riegel von der Halterung lösen. (1)
- 2 - Anschließend den Kinderwagengriff nach oben drehen. (2)
- 3 - Ein **Klickgeräusch** weist darauf hin, dass das Kinderwagengestell vollständig geöffnet ist. (3)  
Prüfen, ob das Kinderwagengestell vollständig eingerastet ist, bevor Sie fortfahren.

## Hintere Schutzbleche

Bringen Sie die rückseitigen Schutzbleche für Zwilling's- und Doppelmodus an.

- 1 - Hinteres Schutzblech in das hintere Bein einsetzen. Ein **Klickgeräusch** weist darauf hin, dass das Schutzblech vollständig montiert ist. (4)  
Durch Ziehen nach oben prüfen, ob das Schutzblech sicher befestigt ist.  
Auf der anderen Seite wiederholen.
- ! Entfernen Sie die Schutzbleche nach der Montage **nicht**.

## Hinterräder

- 1 - Hinterrad in das hintere Bein einsetzen. Ein **Klickgeräusch** weist darauf hin, dass das Hinterrad vollständig montiert ist. (5)  
Durch Ziehen nach außen prüfen, ob das Rad sicher befestigt ist.  
Auf der anderen Seite wiederholen.

- 2 - Drücken Sie zum Entfernen des Hinterrads den Freigabeknopf (6)-1 und lösen Sie das Hinterrad vom hinteren Bein (6)-2.

## Vorderräder

- 1 - Vorderrad in das vordere Bein einsetzen. Ein **Klickgeräusch** weist darauf hin, dass das Rad vollständig montiert ist. (7)  
Durch Ziehen nach außen prüfen, ob das Rad sicher befestigt ist. Auf der anderen Seite wiederholen.
- 2 - Drücken Sie zum Entfernen des Vorderrads den Freigabeknopf (8)-1 und lösen Sie das Vorderrad vom vorderen Bein (8)-2.

## Verdeck

- 1 - Klemmen Sie die Verdeckhalterung an beiden Seiten an den Kinderwagensitz. (9)
- 2 - Befestigen Sie das Verdeck mit dem Reißverschluss am Kinderwagensitz. (10)
- 3 - Entfernen Sie das Verdeck, indem Sie den Reißverschluss öffnen und die Verdeckhalterungen entfernen. (11)

## Armlehne

- 1 - Richten Sie die Armlehnenenden an den Armlehenhalterungen aus und stecken Sie sie so ein, dass sie hörbar einrasten. Ein **Klickgeräusch** weist darauf hin, dass die Armlehne vollständig montiert ist. (12)
- 2 - Entfernen Sie die Armlehne, indem Sie die Armlehen-Freigabeknöpfe (13)-1 unter der Sitzaufgabe drücken und die Armlehne abnehmen. (13)-2

- 3** - Drücken Sie zum kompakteren Zusammenklappen die Einstellknöpfe **(13)-1** der Armlehne und drehen Sie die Armlehne nach unten **(13)-2**, bis sie einrastet.
- ! Verwenden Sie nur die Abwärts-/Lagerungsposition zum Zusammenklappen. Verwenden Sie diese Position NIE, wenn sich ein Kind im Kinderwagen befindet.

## Kinderwagensitz

Der Kinderwagensitz kann nach vorne oder nach hinten gerichtet angebracht werden.

- 1** - Richten Sie die Seiten des Kinderwagensitzes an den Sitzhalterungen aus. Drücken Sie den Kinderwagensitz direkt nach unten, bis er hörbar einrastet. Ein Klickgeräusch weist darauf hin, dass der **Kinderwagensitz** vollständig montiert ist. **(15)**
- 2** - Entfernen Sie den Kinderwagensitz, indem Sie die Sitzfreigabeknöpfe **(16)-1** ziehen und den Sitz anheben **(16)-2**.

### Montage prüfen

- Kinderwagengestell ist geöffnet und verriegelt
- Hintere Schutzbleche sind sicher angebracht
- Hinterräder sind sicher angebracht
- Vorderräder sind sicher angebracht
- Kinderwagensitz ist sicher angebracht
- Verdeckhalterung ist am Kinderwagengestell angebracht und Verdeck ist über den Reißverschluss mit der Sitzauflage verbunden

## Produkt verwenden

### Ihr Kind sichern

- 1** - Drücken Sie zum Lösen den mittleren Knopf am Verschluss, entfernen Sie die Klemmen und setzen Sie Ihr Kind in den Kinderwagen. **(17)**
- 2** - Verbinden Sie Schulter- und Hüftverschluss. **(18)**
- 3** - Sichern Sie Schulter- und Hüftverschluss an der Verschlusslasche und wiederholen Sie den Vorgang auf der gegenüberliegenden Seite. **(19)**
- 4** - Bringen Sie den Gurt eng an Ihrem Kind an, indem Sie die unteren Einstellverschlüsse (unter den Gurtpolstern) nach oben schieben **(20)-1**. Ziehen Sie dann die Tailleneinstellgurte nach oben. **(20)-2**

### Schultergurt positionieren

- 1** - Die oberen Schultergurtverschlüsse können zur Anpassung nach oben und unten verschoben werden. **(21)**
- ! Um schwere Verletzungen aufgrund von Herausfallen oder -gleiten zu verhindern, sichern Sie Ihr Kind stets mit Gurten ab.

Stellen Sie sicher, dass der Gurt richtig angepasst und Ihr Kind zuverlässig gesichert ist. Der Abstand zwischen dem Kind und dem Schulterriemen sollte etwa die Dicke eines Fingers betragen.

Kreuzen Sie die Schultergurte nicht. Dadurch wird Druck im Nacken des Kindes erzeugt.

## Schultergurtpolster entfernen

Entfernen Sie die Schultergurtpolster, indem Sie den Verschluss lösen.

- 1 - Schieben Sie das Schultergurtpolster nach unten vom Schultergurt ab. **(22)**

Bringen Sie das Schultergurtpolster wieder an, indem Sie die Schnallen lösen und den Schultergurtverschluss durch die innere Schlaufe stecken.

## Verdeck

- 1 - Öffnen Sie das Verdeck, indem Sie das Verdeck zur Vorderseite des Sitzes ziehen; drücken Sie es zum Schließen nach hinten. **(23)**
- 2 - Öffnen Sie den Reißverschluss am Verdeck zur Nutzung als Schlafverdeck. **(24)**
- 3 - Ziehen Sie das Schlafverdeck für noch mehr Schatten nach unten. **(25)**
- 4 - Für zusätzliche Belüftung klappen Sie die Abdeckung des Verdeckfensters nach oben. **(26)**

## Griff

Der Griff hat 4 Positionen.

- 1 - Passen Sie die Griffhöhe an, indem Sie den GriffEinstellknopf **(27)-1** und den Griff nach oben oder unten ziehen **(27)-2**.

## Wadenstütze

Die Wadenstütze besitzt 2 Einstellpositionen.

- 1 - Drücken Sie die Wadenstütze zum Anheben nach oben. Senken Sie die Wadenstütze ab, indem Sie den Einstellknopf in die Mitte der Wadenstütze **(28)-1**, drücken und nach unten drücken **(28)-2**.

## Neigung

- 1 - Die Rückenlehne hat 3 Neigungspositionen. **(29)**
- 2 - Sie können die Rückenlehne anheben oder absenken, indem Sie den Neigungseinstellknopf drücken und den Sitz nach oben oder unten ziehen. **(30)**

## Sitzauflage

Verwenden Sie bei kaltem Wetter für einen komfortablen Sitzbereich die Wintersitzauflage. Die Wintersitzauflage kann entfernt werden. Die darunterliegende netzartige Sitzfläche bietet eine bessere Belüftung während heißer Sommertage.

- 1 - Entfernen Sie die Sitzauflage, indem Sie den Gurt sowie den Reißverschluss rund um die Sitzauflage öffnen und den Gurt durch die Sitzaufлагenschlitze führen. **(31)**
- ! Entfernen Sie das Rückenlehnrohr nicht.

## Bremse

- 1 - Sperren Sie die Hinterräder, indem Sie auf den Bremshebel treten. **(32)**
  - 2 - Lösen Sie die Hinterräder, indem Sie den Bremshebel anheben. **(33)**
- ! Betätigen Sie die Bremse, wenn der Kinderwagen gestoppt ist. Drücken Sie leicht gegen den Kinderwagen, um sicherzustellen, dass die Bremse aktiviert ist.

## Angepasste Dual Suspension™

Der Kinderwagen hat eine doppelte Aufhängung. Stellen Sie sicher, dass nicht aus dem Kinderwagen abgelegt ist, wenn Sie die hintere Aufhängung anpassen. Zudem müssen sich beide Hebel in derselben Position befinden.

- 1 - Klappen Sie die Einstellhebel bei rauem Gelände für eine weichere Federung nach oben **(34)-1** und bei ebenem Untergrund für eine steifere Federung nach unten **(34)-2**.

Bei Verwendung im Doppel- oder Zwillingsmodus sollten Sie die Einstellhebel nach unten klappen.

## Vordere Lenkstopps

Die vorderen Lenkstopps empfehlen sich auf unebenem Untergrund.

- 1 - Ziehen Sie den vorderen Lenkstopp zur Verriegelung des Vorderrads nach vorne. **(35)**
- 2 - Drücken Sie den vorderen Lenkstopp nach innen. **(36)**

## Zusammenklappen

Passen Sie den Griff vor dem Zusammenklappen auf die zweit- oder dritthöchste Position an und stellen Sie sicher, dass die vorderen Lenkstopps gelöst sind.

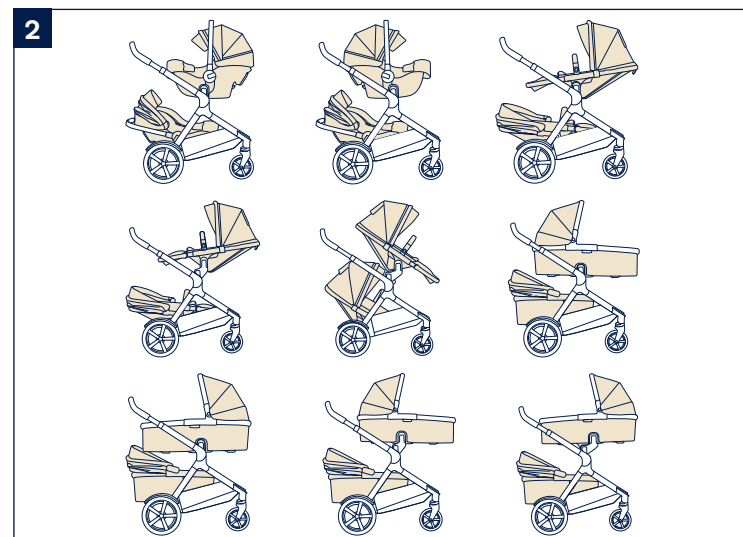
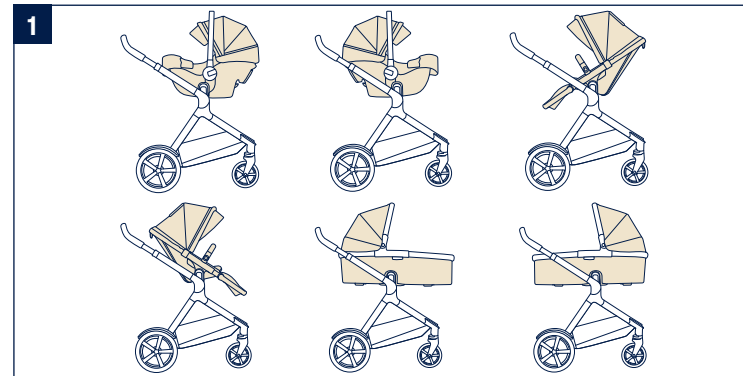
Der Kinderwagen kann nicht zusammengeklappt werden, wenn der Kinderwagensitz nach vorne zeigt oder fehlt.

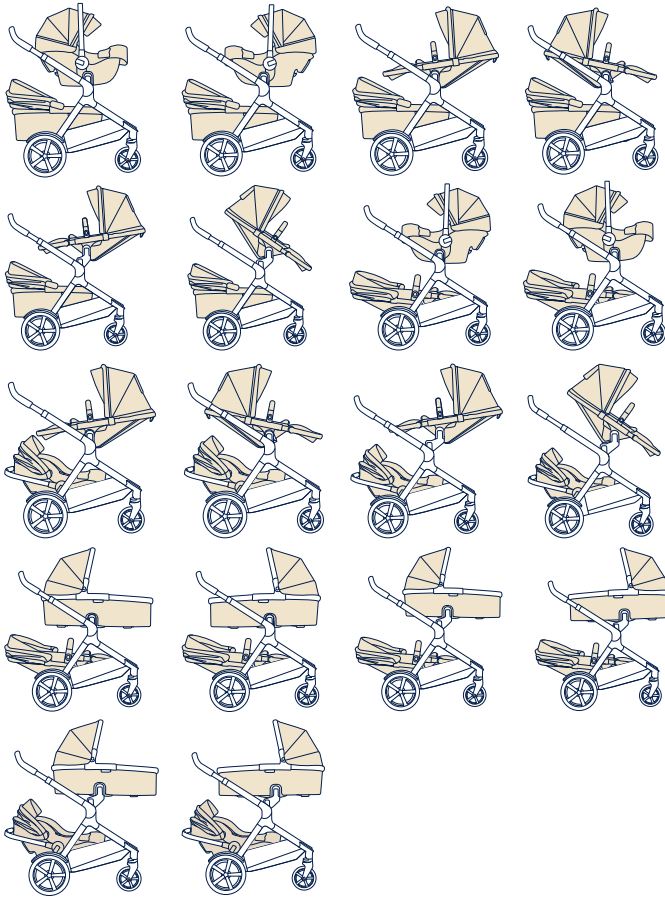
Beim Zusammenklappen mit Sitz platzieren Sie den Sitz in der am stärksten geneigten Position.

- 1 - Schließen Sie das Verdeck **(37)-1**, und drehen Sie den Riegel nach außen **(37)-2**.
- 2 - Heben Sie beide Knöpfe an. **(38)**
- 3 - Drehen Sie den Griff nach unten und stellen Sie sicher, dass der Riegel am Kinderwagengestell geschlossen ist. **(39)**
- 4 - Klappen Sie die Wadenstütze für Kompaktheit nach unten. **(40)**

## Sitzoptionen

Der Kinderwagenrahmen DEMI grow kann in folgenden Kombinationen mit PIPA série Babyschale (mit beigelegten Adaptern), DEMI grow Babytragetasche und DEMI grow Kinderwagen-/Geschwistersitz verwendet werden. Einzel **(1)**, Zwillings **(2)**, Doppel **(3)**





## Sitzoptionen

Wenn Sie das Kinderwagengestell mit Kinderwagensitz, Korb oder Babyschale verwenden, schließen Sie bei Montage von Kinderwagensitz, Korb oder Babyschale an der unteren Halterung das Verdeck.

- ! Bei einigen Modellen sind nicht alle Zubehörteile enthalten bzw. alle Modi erlaubt.
- 1** - Verwenden Sie Kinderwagensitz **(41)-1**, Korb **(41)-2** oder Babyschale **(41)-3** NICHT nach hinten gerichtet in der unteren Halterung.
- 2** - Passen Sie die Rückenlehne des Kinderwagensitzes nicht nach oben an, wenn er in der unteren Halterung und der Korb in der oberen Halterung montiert ist. **(42)**
- 3** - Sie sollten den Korb nicht allein an der oberen Halterung montieren, wenn die Babyschale an der unteren Halterung befestigt ist. **(43)**
- ! Der Korb kann mit den Stangenadaptern für Sitz und Babyschale an der oberen Halterung montiert werden, wenn die Babyschale an der unteren Halterung befestigt ist.
- 4** - Passen Sie den Griff der Babyschale nicht in der vertikalen Position an, wenn die Babyschale in der unteren Halterung montiert ist. **(44)**
- ! Bitte verwenden Sie die Stangenadapter für Sitz und Babyschale (Teilleiste #5) an der oberen Halterung, wenn Sie obere und untere Halterung gleichzeitig verwenden und beide in Fahrtrichtung genutzt werden.

# Zubehör

- ! Bei einigen Modellen werden nicht alle Zubehörteile mitgeliefert.

## Kinderwagensitz DEMI™grow

Bei Installation des Kinderwagensitzes in der unteren Halterung schließen Sie das Verdeck, passen die Wadenstütze auf die höchste Position an und klappen die Rückblende des Ablagekorbs nach vorne.

- 1 - Richten Sie zur Anbringung des Kinderwagensitzes die Seiten des Kinderwagensitzes an den Sitzhalterungen aus. **(45)**

Drücken Sie den Kinderwagensitz direkt nach unten, bis er hörbar einrastet. Ein Klickgeräusch weist darauf hin, dass der Kinderwagensitz angebracht ist. **(45)**

- ! Entfernen Sie den Kinderwagensitz aus der unteren Halterung, bevor Sie den Kinderwagen zusammenklappen.
- ! Bitte verwenden Sie die Stangenadapter für Sitz und Babyschale an der oberen Halterung, wenn Sie obere und untere Halterung gleichzeitig verwenden und beide in Fahrtrichtung genutzt werden.

## Babykorb DEMI grow

Bitte beachten Sie für die Benutzung und Montage des Babykorbs die zugehörige Bedienungsanleitung.

Schließen Sie das Verdeck bei Installation des Korbs in der unteren Halterung.

- 1 - Richten Sie zur Anbringung des Korbs die Seiten des Korbs an den Sitzhalterungen aus. **(46)**  
Drücken Sie den Korb direkt nach unten, bis er hörbar einrastet. Ein **Klickgeräusch** weist darauf hin, dass der Korb montiert ist. **(46)**
- 2 - Der Korb kann in der oberen Halterung nach vorne oder nach hinten gerichtet installiert wird. **(47)**
- 3 - Entfernen Sie den Korb, indem Sie die Korbfreigabeknöpfe **(48)-1** ziehen und den Korb anheben **(48)-2**.
  - ! Entfernen Sie den Korb, bevor Sie den Kinderwagen zusammenklappen.

## Abnehmbaren Korb verwenden

Klappen Sie vor Montage des abnehmbaren Korbs die Rückblende des Korbs nach vorne.

- 1 - Drehen Sie die Stützen an beiden Seiten des abnehmbaren Korbs nach unten, setzen Sie ihn dann in die Halterungen ein. **(49)**
  - ! Bitte achten Sie während der Montage auf die Richtung des abnehmbaren Korbs; ein Klickgeräusch zeigt an, dass der abnehmbare Korb richtig montiert wurde. **(49)**
- 2 - Heben Sie den abnehmbaren Korb zum Entfernen an. **(50)**

## Regenschutz DEMI grow

Verwenden Sie den Regenschutz nur am Kinderwagensitz in der oberen Halterung. (51)

1 - Bringen Sie den Regenschutz an, indem Sie ihn über dem Kinderwagensitz platzieren.

! Prüfen Sie **stets** die Belüftung, wenn der Regenschutz am Produkt angebracht ist.

Achten Sie **immer** darauf, den Regenschutz vor dem Einsatz zu reinigen und zu trocknen.

Klappen Sie den mit Regenschutz montierten Kinderwagen nicht zusammen.

Setzen Sie Ihr Kind an heißen Tagen nicht in einen Kinderwagen mit angebrachtem Regenschutz.

## Fußsack DEMI grow

1 - Sie können den Fußsack einfacher anbringen, indem Sie die Armlehne entfernen. Öffnen Sie den Gurt und entfernen Sie Schultergurtpolster, Schrittpolster und Kopflehne. (52)

2 - Öffnen Sie vor Platzierung des Fußsacks am Kinderwagensitz den Reißverschluss und öffnen Sie die vordere Abdeckung des Fußsacks. (53)

3 - Platzieren Sie den Fußsack am Kinderwagensitz und ziehen Sie Schultergurte und Verschlüsse durch die Schlitze am Fußsack. (54) Bringen Sie Schultergurtpolster, Schrittpolster, Kopflehne und Armlehne wieder an.

4 - Schließen Sie den Reißverschluss an der vorderen Abdeckung des Fußsacks. (55)

5 - Falten Sie die Lasche des Fußsacks über die Armlehne des Kinderwagens. (56)

## Kinderrückhaltesystem

Bitte beachten Sie für die Benutzung und Montage der Babyschale die zugehörige Bedienungsanleitung.

Schließen Sie das Verdeck bei Installation der Babyschale in der unteren Halterung.

1 - Bringen Sie die Adapter des Kindersitzes an, indem Sie sie an den Sitzhalterungen platzieren. Ein **Klickgeräusch** zeigt an, dass die Adapter des Kindersitzes montiert sind. (57)

2 - Bringen Sie die Babyschale an, indem Sie sie auf den Adaptern des Autositzes platzieren. Ein **Klickgeräusch** weist darauf hin, dass die Babyschale montiert ist. (58)

3 - Entfernen Sie die Babyschale, indem Sie die Kinderwagen-Freigabeknöpfe an der Babyschale (59)-1 drücken und die Babyschale anheben (59)-2.

4 - Entfernen Sie die Adapter des Autositzes, indem Sie die Adapterfreigabeknöpfe (60)-1 ziehen und die Adapter anheben (60)-2.

5 - Die Adapter des Autositzes können nach hinten (61)-1 oder nach vorne (61)-2 zeigend in der oberen Halterung angebracht werden.

! Entfernen Sie die Babyschale vor dem Zusammenklappen.

## Stangenadapter für Sitz und Babyschale

! Sie können die Stangenadapter für Sitz und Babyschale nur an der oberen Halterung montieren.

! Bitte verwenden Sie die Stangenadapter für Sitz und Babyschale an der oberen Halterung, wenn Sie obere und untere Halterung gleichzeitig verwenden und beide in Fahrtrichtung genutzt werden.



- 1 - Bringen Sie die Stangenadapter für Sitz und Babyschale an, indem Sie sie wie abgebildet an den Halterungen platzieren **(62)**. Ein Klickgeräusch zeigt an, dass die Stangenadapter für Sitz und Babyschale eingerastet sind. **(63)**
  - ! Der richtige Einsatz der Stangenadapter für Sitz und Babyschale wird in der Abbildung dargestellt **(64)**.
- 2 - Bringen Sie die Babyschale an den Stangenadaptern für Sitz und Babyschale an, indem Sie die Babyschale an den Stangenadaptern für Sitz und Babyschale platzieren. Ein Klickgeräusch zeigt an, dass die Babyschale eingerastet ist. **(65)**
  - ! Verwenden Sie die Babyschale nicht am oberen Sitz, wenn sich die Sitzlehne des unteren Sitzes in vertikaler Position befindet.
- 3 - Bringen Sie den Sitz an den Stangenadaptern für Sitz und Babyschale an, indem Sie den Sitz an den Stangenadaptern für Sitz und Babyschale platzieren. Ein Klickgeräusch zeigt an, dass der Sitz eingerastet ist. **(66)**
- 4 - Entfernen Sie die Babyschale, indem Sie die Babyschale-Freigabeknöpfe **(48)-1** drücken und die Schale anheben **(48)-2**.
- 5 - Entfernen Sie den Sitz, indem Sie die Sitzfreigabeknöpfe **(16)-1** zusammendrücken und den Sitz anheben **(16)-2**.
- 6 - Entfernen Sie die Stangenadapter für Sitz und Babyschale, indem Sie die Stangenadapter für Sitz und Babyschale nach oben ziehen **(67)-2** während Sie die Freigabeknöpfe ziehen **(67)-1**
  - ! Entfernen Sie vor dem Zusammenklappen Sitz und Babyschale.

## Reinigung und Wartung

Reinigen Sie Gestell, Kunststoffteile und Textilien mit einem feuchten Tuch. Verzichte Sie auf Scheuer- und Bleichmittel. Verwenden Sie keine Silikonöle, da diese Schmutz und Dreck anziehen. Bewahren Sie Ihren Kinderwagen nicht an einem feuchten Ort auf.

Reinigen Sie die Räder des Kinderwagens regelmäßig mit Wasser, entfernen Sie den Schmutz.

Zur Gewährleistung einer langen Einsatzzeit Ihres Produktes sollten Sie es nach Benutzung bei Regenwetter mit einem weichen, saugfähigen Tuch abwischen.

Beachten Sie beim Reinigen und Trocknen die Pflegeetiketten an den Textilteilen.

Es ist selbst bei gewöhnlichem Gebrauch normal, dass Textilien nach langer Benutzung durch Sonnenlicht verblassen und Verschleißerscheinungen aufweisen.

Verwenden Sie aus Sicherheitsgründen nur Nuna-Originalteile.

Prüfen Sie regelmäßig, ob alles richtig funktioniert. Verwenden Sie das Produkt nicht länger, falls Teile verschlissen oder beschädigt sind oder fehlen.

**BELANGRIJK!  
ZORGVULDIG LEZEN  
EN BEWAREN VOOR  
RAADPLEGING IN  
DE TOEKOMST**

## Inhoud

### Productinformatie

Productregistratie	80
Garantie	80
Contact	80

### Vereisten kindergebruik

81

### Waarschuwingen

82

### Onderdelenlijst

86

### Installeren

88

### Gebruiken

91

### Zitopties

95

### Accessoires

DEMI grow kinderwagen zitje	98
DEMI grow reiswieg	99
DEMI grow kinderwagenregenkap	99
DEMI grow kinderwagenvoetmof	100
Babyzitje	101
Steunadapters voor stoeltje en draagwieg	101

### Reiniging en onderhoud

103

## Productinformatie

Modelnummer: \_\_\_\_\_

Fabricagedatum: \_\_\_\_\_

### Productregistratie

Vul de bovenstaande informatie in. Het model en de fabricagedatum bevinden zich op een etiket onderop het frame van de kinderwagen.

**Ga voor het registreren van uw product naar:**  
[www.nunababy.com/register-gear](http://www.nunababy.com/register-gear)

### Garantie

Wij hebben onze hoogwaardige producten opzettelijk zo ontworpen dat ze kunnen mee kunnen groeien met zowel uw kind als uw familie. Omdat wij achter ons product staan, wordt onze uitrusting gedekt door een aangepaste garantie per product, beginnend op de dag van aanschaf. Houd het aankoopbewijs, het modelnummer en de fabricagedatum klaar als u contact met ons opneemt.

**Ga voor garantie-informatie naar:**  
[www.nunababy.com/warranty](http://www.nunababy.com/warranty)

### Contact

Neem contact op met onze klantenservice-afdelingen voor vervangende onderdelen, service of aanvullende vragen over de garantie.

[info@nunababy.com](mailto:info@nunababy.com)  
[www.nunababy.com](http://www.nunababy.com)

## Vereisten kindergebruik

Dit kinderwagenzitje is geschikt voor gebruik met kinderen die aan de volgende eisen voldoen:

**Kind:** ten minste 6 maanden

**Gewicht:** maximaal 15kg (33 lb)

**Lengte:** 114,3 cm

Niet geschikt voor kinderen jonger dan 6 maanden.

Bij gebruik van het kinderwagenframe met de mandenwieg of het babyzitje moet u de vereisten voor kindergebruik in deze handleidingen volgen.

# ⚠️ WAARSCHUWING

Niet-naleving van de waarschuwingen en de instructies kan ernstig letsel of de dood veroorzaken.

Altijd het veiligheidstuigje gebruiken.

Controleer voor gebruik of het wiegje, het kinderwagenzitje, of het autostoeltje goed vast zit op het kinderwagenchassis.

Laat het kind niet met dit product spelen.

Zorg ervoor dat alle vergrendelingsmechanismes vast zitten voor dat je het product gebruikt.

Nooit het kind zonder toezicht laten.

Dit product is niet geschikt om mee hard te lopen of te skeeleren.

Zorg ervoor dat het kind uit de buurt is tijdens het in- en uitklappen van het product om letsel te voorkomen.

Dit kinderwagenzitje is niet geschikt voor kinderen jonger dan 6 maanden.

Gebruik geen toebehoren die niet door de fabrikant zijn goedgekeurd. Gebruik uitsluitend vervangende onderdelen die zijn geleverd of aanbevolen door de fabrikant/distributeur.

Montage door volwassene vereist.

**ALTIJD** op de handrem zetten als u stopt.

Alle schade als gevolg van het gebruik van accessoires die niet door Nuna zijn geleverd, wordt niet gedekt door de garantie.

Elke last bevestigd aan de greep of op de achterkant van de rugsteun of de zijkanten van het voertuig beïnvloedt de stabiliteit van het voertuig.

Vervoer **GEEN** extra kinderen, goederen, accessoires in of op de wandelwagen, behalve op de manier zoals toegestaan in deze handleiding. Hierdoor kan het wandelwagen instabiel worden.

**NIET** de wandelwagen laten staan in de buurt van een krachtige warmtebron zoals een kachel of open vuur.

**NIETS** op de kap leggen.

Bewaar de kinderwagen **NIET** in een vochtige omgeving. Laat het materiaal altijd op natuurlijke wijze drogen, uit de buurt van warmtebronnen.

De opbergmand **NIET** gebruiken om een kind in te plaatsen.

De kinderwagen **NIET** gebruiken bij gebroken of ontbrekende onderdelen.

Elke wandelwagen/duozitje is bedoeld voor kinderen van ten minste 6 maanden oud en van maximaal 15 kg of een lengte van 114,3 cm.

Voor autostoeltjes die gebruikt worden in combinatie met een chassis, vervangt dit voertuig geen draagwieg of bed. Als uw kind moet slapen, moet u het in een geschikte kinderwagen, wieg of bed leggen.

Houd kleine onderdelen uit de buurt van kinderen want deze vormen een gevaar voor verstikking.

Wees voorzichtig bij stoepranden en ongelijkmatige grond. Herhaalde schokken kunnen de wandelwagen beschadigen.

Laat kinderen **NOOIT** op de wandelwagen staan.

**NOOIT** meer dan één kind per zitje meevoeren.

**NOOIT** meer dan twee kinderen tegelijk in de kinderwagen meevoeren.

Gebruik de wandelwagen **NOOIT** op trappen of roltrappen. U kunt plotseling de controle over de wandelwagen verliezen of uw kind kan eruit vallen.

De gordels moeten altijd goed zijn vastgezet en ingesteld. De gordels zijn geen vervanging voor toezicht van een volwassene.

Bij het plaatsen en verwijderen van het kind moet de parkeerrem geactiveerd zijn.

Zorg ervoor dat de kinderwagen volledig geopend en vergrendeld is voordat u uw kind in de buurt laat komen.

Overbelasten, onjuist opvouwen, en het gebruik van accessoires zoals kinderzitjes, tashaken, regenkappen, meerijdplankjes, enz. anders dan goedgekeurd door Nuna, kunnen de wandelwagen beschadigen of onveilig maken.

Rubberbanden kunnen zwarte strepen achterlaten op gladde oppervlakken zoals parket, laminaat en linoleum.

**GEVAAR VOOR VERSTIKKING** Geen voorwerpen met een koord rond de hals van uw kind hangen, de koorden van dit product laten hangen of koorden aan speelgoed bevestigen.

Om gevaar voor verstikking te voorkomen, moet u alle plastic afdekkingen verwijderen voordat u dit product gebruikt en deze vernietigen of uit de buurt van baby's en kinderen houden.

Om een gevaarlijke en instabiele conditie te vermijden, moet u niet meer dan 4,5 kg in de opbergmand/verwijderbare mand plaatsen.

Het gebruik van de kinderwagen met een groter gewicht dan 34,5 kg zorgt voor overmatige slijtage en belasting van de kinderwagen. 34,5 kg = 15 kg wandelwagen/duozitje maximum + 15 kg wandelwagen/duozitje maximum + 4,5 kg opbergmand/verwijderbare mand maximum.

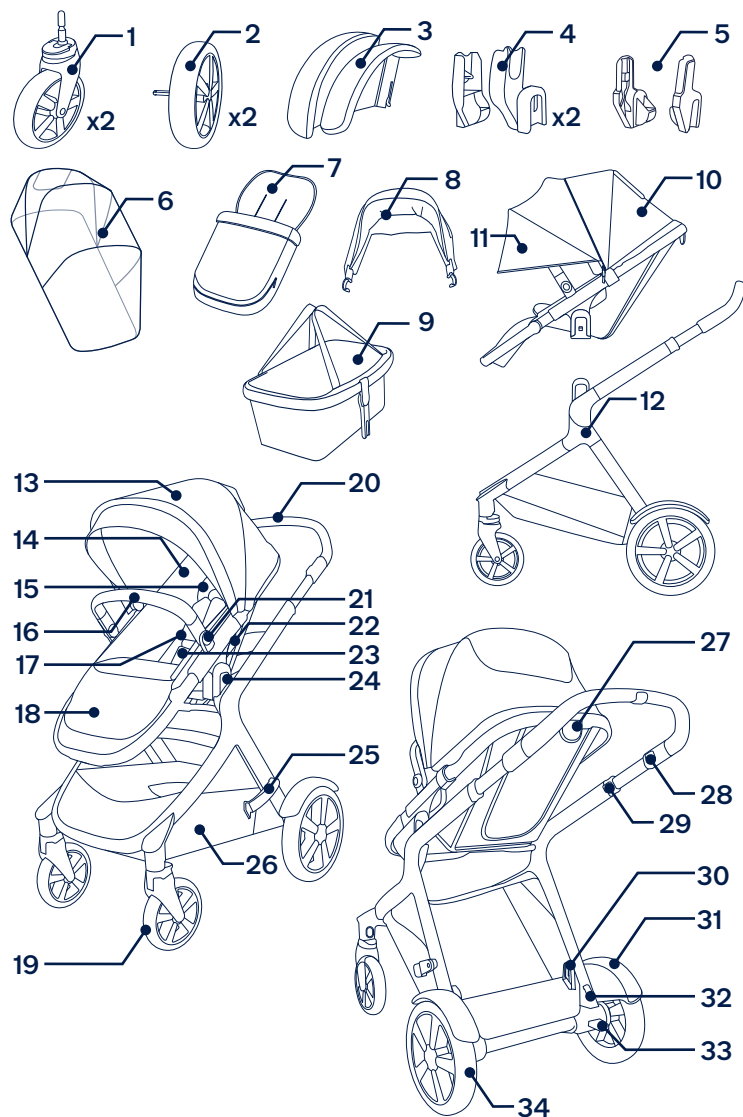
Bij het gebruik van de DEMI grow met twee kinderen moet u er voor zorgen dat ze goed zijn geplaatst, en alleen in het zitgedeelte.

# Onderdelenlijst

Zorg dat alle onderdelen voor het opslaan droog zijn. Als er items ontbreken of beschadigd zijn, kunt u contact opnemen met uw leverancier. Voor de montage is geen gereedschap nodig.

! **GEVAAR VOOR VERSTIKKING:** Beschermende einddoppen direct van elk wiel en wielnaaf verwijderen en weggooien.

- |  |  |
|--|--|
| 1 Voorwiel (x2)                            | 19 Voorwiel                            |
| 2 Achterwiel (x2)                          | 20 Handgreep van kinderwagen           |
| 3 Achterspatbord                           | 21 Instelknop armsteun                 |
| 4 Adapters voor babyzitje (x2)             | 22 Ontgrendelknop zitje                |
| 5 Steunadapters voor stoeltje en draagwieg | 23 Gesp en kruisafdekking              |
| 6 Regenkap                                 | 24 Bovenste zitsteun                   |
| 7 Voetenmof                                | 25 Opberggrendel                       |
| 8 Kap                                      | 26 Opbergmand                          |
| 9 Afneembare mand                          | 27 Instelkop achterover hellen         |
| 10 Zitje voor kinderwagen                  | 28 Instelknop handgreep                |
| 11 Dream Drape™                            | 29 Opvouwknop                          |
| 12 Frame kinderwagen                       | 30 Onderste zitsteun                   |
| 13 Kap                                     | 31 Achterspatbord                      |
| 14 Zitkussen                               | 32 Aangepaste dubbele veerinstelhendel |
| 15 Hoofdsteun                              | 33 Remhendel                           |
| 16 Armsteun                                | 34 Achterwiel                          |
| 17 Schoudergordelkussens                   |  |
| 18 Kuitsteun                               |  |



# Installeren

## Open kinderwagen

- 1 - Maak de opberggrendel los van de opbergbeugel. (1)
- 2 - Draai vervolgens de handgreep van de kinderwagen omhoog. (2)
- 3 - Een “klik”-geluid betekent dat de kinderwagen volledig is opgevouwen. (3)

Controleer of het kinderwagentje volledig open is vastgezet voor u doorgaat.

## Achterspatborden

Bevestig de achterspatborden voor tweeling- en dubbele modi.

- 1 - Steek het achterspatbord in de achterste poot. Een “klik”-geluid betekent dat de riem vergrendeld is. (4)

Controleer of het spatbord goed vastzit door het omhoog te trekken.

Herhaal dit aan de andere kant.

! NIET de spatborden verwijderen nadat ze zijn gemonteerd.

## Achterwielen

- 1 - Steek het achterwiel in de achterste poot. Een “klik”-geluid betekent dat het achterwiel volledig bevestigd is. (5)

Controleer of het wiel goed vastzit door het naar buiten te trekken.

Herhaal dit aan de andere kant.

- 2 - Om het achterwiel te verwijderen: druk op de ontgrendelknop (6)-1 en maak het achterwiel los van de achterpoot (6)-2.

## Voorwielen

- 1 - Steek het voorwiel in de voorste poot. Een “klik”-geluid betekent dat het wiel volledig bevestigd is. (7)

Controleer of het wiel goed vastzit door het naar buiten te trekken. Herhaal dit aan de andere kant.

- 2 - Om het voorwiel te verwijderen: druk op de ontgrendelknop (8)-1 en maak het voorwiel los van de voorpoot (8)-2.

## Kap

- 1 - Klem de kapbeugel aan weerskanten op het zitje. (9)

- 2 - Rits de kap op het zitje vast. (10)

- 3 - Om de kap te verwijderen: open de ritsen en verwijder de kapbeugels. (11)

## Armsteun

- 1 - Lijn de armsteun uit met de armsteunbeugels en steek hem er in tot hij op zijn plaats klikt. Een “klik”-geluid betekent dat de armsteun volledig bevestigd is. (12)

- 2 - Om de armsteun te verwijderen, drukt op de armsteunontgrendelknoppen (13)-1 onder het zitkussen en verwijdert u de armsteun. (13)-2

- 3 - Druk voor een compactere manier van opvouwen de instelknoppen voor de armsteunen (14)-1 in en draai de armsteun (14)-2 omlaag tot hij op zijn.

! Gebruik voor het opvouwen alleen de stand omlaag/opgeborden. **NOOIT** deze positie gebruiken met een kind in de kinderwagen.

## Zitje voor kinderwagen

Het zitje voor de kinderwagen kan achteruit of vooruit kijkend worden bevestigd.

- 1 - Lijn de zijkanten van het zitje uit met de zitbeugels. Druk het zitje recht omlaag tot het op zijn plaats klikt. Een “klik”-geluid betekent dat het zitje volledig bevestigd is. (15)
- 2 - Om het zitje te verwijderen, knijpt u de ontgrendelknoppen in (16)-1 en tilt u het zitje op (16)-2.

### Controleer de installatie

- Het frame van de kinderwagen is geopend en vergrendeld
- De achterspatborden zijn stevig bevestigd
- De achterswielen zijn stevig bevestigd
- De voorwielen zijn stevig bevestigd
- Het zitje is stevig bevestigd
- De Kapsteun is op het frame van de kinderwagen bevestigd en de kap is vastgeritst op het zitkussen

## Gebruiken

### Uw kind beveiligen

- 1 - Druk de middelste knop op de gesp in om de gesp los te maken, verwijder de klemmen en zet uw kind in de kinderwagen. (17)
- 2 - Maak de schoudergesp en heupgesp vast. (18)
- 3 - Zet de schoudergesp en heupgesp vast op de gespbeugel en herhaal dit aan de andere kant. (19)
- 4 - Zet uw kind stevig vast in de riemen door de onderste instelgespen (onder de gespafdekkingen) omhoog te schuiven (20)-1. Trek vervolgens de taille-instelbandjes naar buiten. (20)-2

### Positie schouderriemen

- 1 - De bovenste schouderriemgespen kunnen omhoog en omlaag worden geschoven voor een nauwkeuriger afstelling. (21)
- ! Om ernstig letsel te voorkomen door uit de stoel vallen of glijden, moet u uw kind altijd met de riemen vastzetten. Zorg er voor dat de riemen goed zijn afgesteld en dat uw kind stevig vast zit. De ruimte tussen het kind en de schouderriemen moet ongeveer de dikte van een vinger zijn.
- De schouderriemen **NIET** kruisen. Dat veroorzaakt druk op de nek van het kind.



## Kussentjes van schouderriemen verwijderen

Maak de gesp los om de kussentjes van de schouderriemen te verwijderen.

- 1 - Schuif de kussens van de schouderriemen omlaag van het bandje van de gesp. (22)

Om de kussentjes terug te zetten, maakt u de bevestiging los en steekt u de gesp van de schouderriem door de binnenlus.

## Kap

- 1 - Om de kap te openen, trekt u deze naar voren over de voorkant van het stoeltje, en om hem dicht te vouwen, drukt u hem terug. (23)
- 2 - Open de rits op de kap om de Dream Drape™ te gebruiken. (24)
- 3 - Trek de Dream Drape™ omlaag voor extra schaduw. (25)
- 4 - Klap het raampje van de kap omhoog voor extra ventilatie. (26)

## Hendel

De handgreep heeft 4 standen.

- 1 - Om de hoogte van de greep in te stellen, drukt u de hoogte-instelknop in (27)-1 en schuift u de greep omhoog of omlaag (27)-2.

## Kuitsteun

De kuitsteun heeft 2 standen.

- 1 - Trek de kuitsteun omhoog om deze hoger te plaatsen. Druk op de instelknoppen in het midden van de kuitsteun (28)-1, om de steun omlaag te brengen en druk de steun omlaag (28)-2.

## Helling

- 1 - Er zijn 3 standen voor de rugsteun. (29)
- 2 - Om de rugsteun omhoog of omlaag te brengen, knijpt u de instelknop in en drukt u hte zitje omhoog of omlaag. (30)

## Zitkussen

Gebruik het winterzitkussen bij koud weer om voor een comfortabel zitgebied te zorgen. Het winterzitkussen kan worden verwijderd om een gaas-zitgebied te bieden voor een betere ventilatie tijdens warm weer.

- 1 - Om het kussen te verwijderen, maakt u de riemen los, opent u de rits rond het zitkussen en steekt u de riemen door de sleuven in het kussen. (31)
- ! NIET de buis voor de rugsteun verwijderen.

## Rem

- 1 - Trap op de remhendel om de achterwielen vast te zetten. (32)
  - 2 - Licht de remhendel op om de achterwielen los te maken. (33)
- ! Gebruik de rem altijd als de kinderwagen stilstaat. Druk de kinderwagen iets vooruit om te controleren of de rem vast zit.

## Dual Suspension™ op maat

De kinderwagen heeft twee veerstanden. Zorg er voor dat de kinderwagen niet belast is als u de achtervering afstelt en dat beide grepen in dezelfde stand staan.

- 1 - Zet de instelhendels omhoog (34)-1 op ruw terrein voor een zachtere vering en zet de instelhendels omlaag (34)-2 op een glad oppervlak voor een stuggere vering.

Bij gebruik in dubbele of tweelingmodus kunt u het beste de instelhendels omlaag zetten.

## Draaien van voorwielen blokkeren

Aanbevolen wordt om de draaiblokkering voor de voorwielen op ongelijke oppervlakken te gebruiken.

- 1 - Druk de draaivergrendeling naar buiten om het voorwiel in de stand recht vooruit vast te zetten. (35)
- 2 - Druk de vergrendeling naar binnen om het wiel te ontgrendelen. (36)

## Opvouwen

Stel voor het opvouwen van de kinderwagen de greep in op de 2e of 3e hoogste stand en zorg er voor dat de voorste zwenkwielen ontgrendeld zijn.

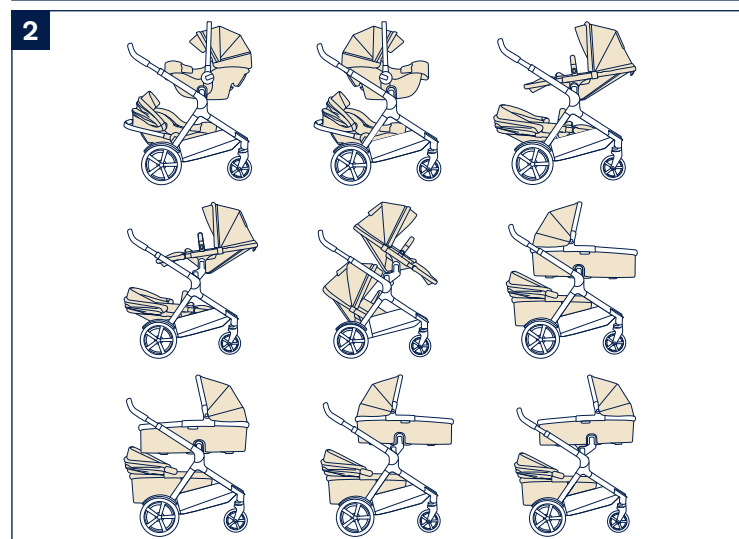
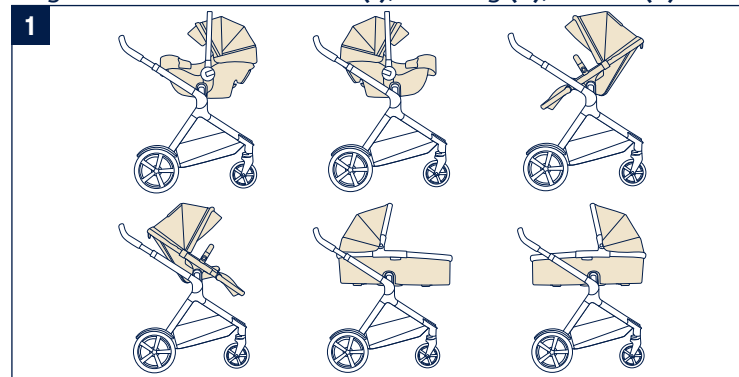
U kunt de kinderwagen opvouwen met het zitje vooruit kijkend of zonder het zitje.

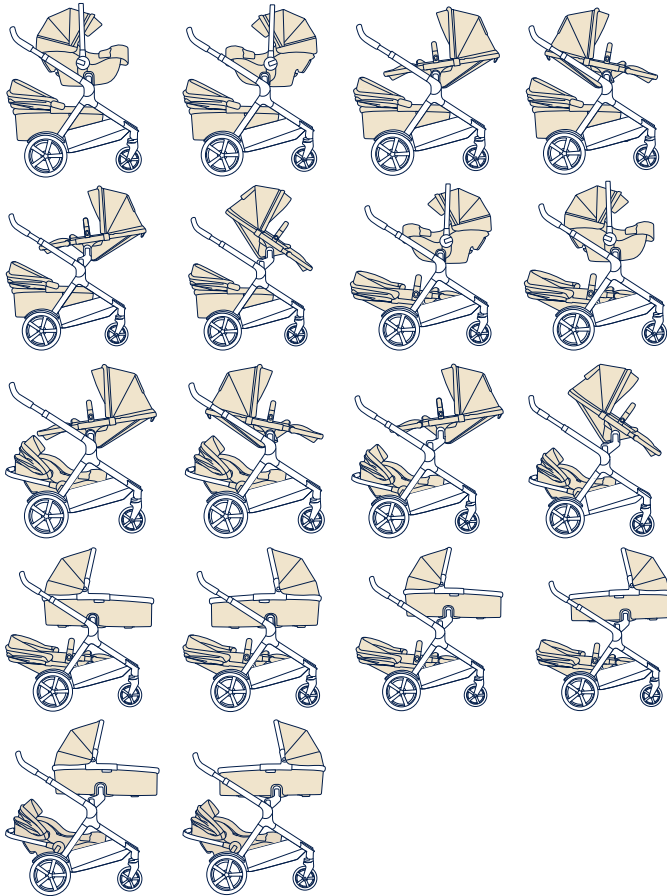
Bij het opvouwen van de kinderwagen met zitje dit in de meest achterover staande stand zetten om compacter op te vouwen.

- 1 - Vouw de kap in (37)-1, en draai de opbergvergrendeling naar buiten (37)-2.
- 2 - Licht beide opvouwknoppen op. (38)
- 3 - Draai de greep omlaag en zorg er voor dat de opslaggrendel op het kinderwagenframe gesloten is. (39)
- 4 - Vouw de kuitsteun omlaag om compacter op te vouwen. (40)

## Zitopties

Het DEMI groeiwandelwagenframe kan worden gebruikt met het PIPA series babyzitje (met meegeleverde adapters), DEMI grow draagwieg en DEMI grow wandelwagen/duozitje in de volgende combinaties: Enkel (1), tweeling (2), dubbel (3)





## Zitje gebruiken

Bij gebruik van het kinderwagenframe met het kinderwagenzitje, de mandwieg of het babyzitje, moet u de kap omlaag vouwen als het kinderwagenzitje, de mandwieg of het babyzitje op de onderste beugel wordt bevestigd.

! Sommige modellen worden niet met alle accessoires geleverd en niet alle standen zijn toegestaan.

**1** - Gebruik het kinderwagenzitje **(41)-1**, de mandwieg **(41)-2** of het babyzitje **(41)-3 NIET** naar achteren gericht op de onderste beugel.

**2** - Zet de rugleuning van het kinderwagenzitje **NIET** omhoog als deze op de onderste beugel is bevestigd en de mandwieg op de bovenste beugel is bevestigd. **(42)**

**3** - Aangeraden wordt om de mandwieg niet op de bovenste houder te bevestigen als het babyzitje op de onderste houder is bevestigd. **(43)**

! De mandwieg kan op de bovenste houder worden gemonteerd met steunadapters voor stoeltje en draagwieg als het babyzitje op de onderste houder is gemonteerd.

**4** - Plaats de greep van het babyzitje **NIET** in de verticale stand als het babyzitje op de onderste beugel is bevestigd. **(44)**

! Gebruik Steunadapters voor stoeltje en draagwieg (Onderdelenlijst#5) op de bovenste houder als de bovenste en onderste houder tegelijk worden gebruikt en beide in vooruitkijkende modus.

# Accessoires

! Niet alle accessoires worden bij alle modellen meegeleverd.

## DEMI™grow kinderwagenzitje

Bij bevestiging van het kinderwagenzitje op de onderste beugel, moet u de kap invouwen, de kuitsteun in de hoogste stand zetten en het achterpaneel van de kinderwagenmand naar voren vouwen.

**1** - Lijn om het kinderwagenzitje te bevestigen de zijkanten van het kinderwagenzitje uit met de zitbeugels. **(45)**

Druk het kinderwagenzitje recht omlaag tot het op zijn plaats klikt. Een “klik”-geluid betekent dat het kinderwagenzitje volledig bevestigd is **(45)**

! Verwijder het kinderwagenzitje van de onderste beugel voordat u de kinderwagen opvouwt.

! Gebruik steunadapters voor stoeltje en draagwieg op de bovenste houder als de bovenste en onderste houder tegelijk worden gebruikt en beide in vooruitkijkende modus.

## DEMI grow reiswieg

Zie de handleiding van de mandwieg voor montage en gebruik hiervan.

Vouw de kap op als u de mandwieg in de onderste beugel monteert.

**1** - Lijn om de mandwieg te bevestigen de zijkanten van de mandwieg uit met de zitbeugels. **(46)**

Druk de mandwieg recht omlaag tot het op zijn plaats klikt. Een “klik”-geluid betekent dat het kinderwagenzitje volledig bevestigd is. **(46)**

**2** - De mandwieg kan in de bovenste beugel richting vooruit of achteruit worden bevestigd. **(47)**

**3** - Om de mandwieg te verwijderen, knijpt u de ontgrendelknoppen in **(48)**-1 en tilt u de mandwieg op **(48)**-2.

! Verwijder de mandwieg voordat u de kinderwagen opvouwt.

## Afneembare mand gebruiken

Voordat u de afneembare mand monteert, moet u het achterpaneel van de mand naar voren vouwen.

**1** - Draai de steunen aan weerszijden van de afneembare mand omlaag, en steek deze in de beugels. **(49)**

! Let bij montage op de richting voor de afneembare mand, een klikkend geluid betekent dat de afneembare mand goed is gemonteerd. **(49)**

**2** - Breng hem omhoog om de afneembare mand te verwijderen. **(50)**

## DEMI grow kinderwagenregenkap

Gebruik de kinderwagenregenkap alleen op het kinderwagenzitje in de bovenste beugel. (51)

**1** - Plaats de regenkap over het kinderwagenzitje om deze te monteren.

! Controleer **ALTIJD** de ventilatie, met name bij warm weer als het product is afgedekt door de regenkap.

Controleer **ALTIJD** of de regenkap schoon en droog is voor u deze weer opvouwt.

Vouw de wandelwagen **NIET** op als de regenkap gemonteerd is.

Zet uw kind **NIET** bij warm in de wandelwagen als de regenkap gemonteerd is.

## DEMI grow kinderwagenvoetmof

**1** - Om de voetmof gemakkelijker te kunnen monteren, moet u de armsteun verwijderen, de riemen losmaken en de schouderriemkussens, het kruiskussen en de hoofdsteun verwijderen. (52)

**2** - Voordat u de voetmof op het kinderzitje plaatst, moet u de voorkant van de voetmof openritsen. (53)

**3** - Plaats de voetmof op het kinderwagenzitje en trek het gaas van de schoudergordels en de gespen door de sleuven van de voetmof. (54) Bevestig de schouderriemkussens, het kruiskussen en de hoofdsteun weer en bevestig de armsteun.

**4** - Rits de voorkant van de voetmof dicht. (55)

**5** - Vouw de klep van de voetmof over de balk van de armsteun. (56)

## Babyzitje

Zie de handleiding van het babyzitje voor montage en gebruik hiervan.

Vouw de kap op als u het babyzitje in de onderste beugel monteert.

**1** - Om de steunadapters voor het autobabyzitje te bevestigen, plaatst u deze op de zitbeugels. Een “klik” geluid betekent dat de adapters zijn bevestigd. (57)

**2** - Om het babyzitje te bevestigen, plaatst u het op de steunadapters. Een klik-geluid betekent dat het babyzitje volledig bevestigd is. (58)

**3** - Om het babyzitje te verwijderen, knijpt u de ontgrendelknoppen in (59)-1 en tilt u het babyzitje op (59)-2.

**4** - Om de steunadapters te verwijderen, knijpt u de ontgrendelknoppen in (60)-1 en tilt u de adapters op (60)-2.

**5** - De steunadapters kunnen naar achteren (61)-1 of naar voren (61)-2 gericht in de bovenste beugel worden bevestigd.

! Verwijder het babyzitje voor het opvouwen.

## Steunadapters voor stoeltje en draagwieg

! De steunadapters voor stoeltje en draagwieg kunnen alleen op de bovenste houder worden gemonteerd.

! Gebruik steunadapters voor stoeltje en draagwieg op de bovenste houder als de bovenste en onderste houder tegelijk worden gebruikt en beide in vooruitkijkende modus.

- 1 - Om de steunadapters voor stoeltje en draagwieg te bevestigen, plaatst u ze zoals afgebeeld op de houders **(62)**. Een klikkend geluid betekent dat de steunadapters voor stoeltje en draagwieg vergrendeld zijn. **(63)**
  - ! Het juiste gebruik van de steunadapters voor stoeltje en draagwieg is afgebeeld in **(64)**.
- 2 - Om de draagwieg te bevestigen aan de steunadapters voor stoeltje en draagwieg, plaatst u deze op de steunadapters voor stoeltje en draagwieg. Een klikkend geluid betekent dat de draagwieg vergrendeld is. **(65)**
  - ! Gebruik de draagwieg niet op het bovenste stoeltje als de rugleuning van het onderste stoeltje rechtop staat.
- 3 - Om het zitje te bevestigen aan de steunadapters voor stoeltje en draagwieg, plaatst u deze op de steunadapters voor stoeltje en draagwieg. Een klikkend geluid betekent dat het zitje vergrendeld is. **(66)**
- 4 - Om de draagwieg te verwijderen, knijpt u de ontgrendelknoppen in **(48)-1** en tilt u de draagwieg op **(48)-2**.
- 5 - Om het zitje te verwijderen, knijpt u de ontgrendelknoppen in **(16)-1** en tilt u het zitje op **(16)-2**.
- 6 - Om het zitje en de steunadapters voor stoeltje en draagwieg te verwijderen, tilt u de steunadapters voor stoeltje en draagwieg op **(67)-2** terwijl u aan de vergrendelknoppen trekt. **(67)-1**
  - ! Verwijder het zitje en de draagwieg voordat u opvouwt.

## Reiniging en onderhoud

Reinig het frame, de plastic onderdelen en het weefsel met een vochtige doek, maar gebruik geen schurende middelen of bleekwater. Gebruik geen silicone smeermiddelen omdat ze vuil en roet aantrekken. Bewaar de kinderwagen niet in een vochtige omgeving.

Reinig de wielen regelmatig met water en verwijder het vuil.

Om er voor te zorgen dat de kinderwagen lang meegaat, moet u hem na gebruik in de regen afvegen met een zachte absorberende doek.

Raadpleeg de verzorgingslabels die aan de zachte goederen zijn bevestigd voor was- en drooginstructies.

Het is normaal dat materialen verkleuren door blootstelling aan zonlicht en na langdurig gebruik slijtage vertonen, zelfs bij gangbaar gebruik.

Uit veiligheidsoverwegingen mag u uitsluitend originele onderdelen van Nuna gebruiken.

Controleer regelmatig of alles nog goed werkt. Gebruik de kinderwagen niet meer als onderdelen zijn gescheurd, gebroken of ontbreken.

**IMPORTANTE!**  
**LEGGERE ATTENTAMENTE**  
**E CONSERVARE PER**  
**RIFERIMENTO FUTURO**

## Indice

### Informazioni sul prodotto

Registrazione del prodotto	106
Garanzia	106
Recapito	106

### Requisiti di utilizzo da parte del bambino

107

### Avvertenze

108

### Elenco componenti

112

### Configurazione del prodotto

114

### Uso del prodotto

117

### Opzioni per sedersi

121

### Accessori

Seduta del passeggino DEMI grow	124
Culla portatile DEMI grow	124
Cestello rimovibile del passeggino DEMI grow	125
Copertura antipioggia del passeggino DEMI grow	125
Coprigambe per passeggino DEMI grow	126
Sistema di ritenuta per bambini	126
Adattatori di sostegno del seggiolino e della culla portatile	127

### Pulizia e manutenzione

129

## Informazioni sul prodotto

Numero modello: \_\_\_\_\_

Prodotto in (data): \_\_\_\_\_

### Registrazione del prodotto

Inserire le precedenti informazioni. Numero modello e Prodotto in (data) si trovano su un'etichetta sulla parte inferiore del telaio del passeggino.

**Per registrare il prodotto, visitare il sito:**

[www.nunababy.com/register-gear](http://www.nunababy.com/register-gear)

### Garanzia

Abbiamo progettato appositamente i nostri prodotti di alta qualità in modo che crescano con il bambino e con la famiglia. Poiché crediamo nel nostro prodotto, i meccanismi sono coperti da una garanzia personalizzata per prodotto che comincia dal giorno dell'acquisto.

Al momento di contattarci, sono necessari la prova d'acquisto, il numero di modello e la data di produzione.

**Per informazioni sulla garanzia, visitare il sito:**

[www.nunababy.com/warranty](http://www.nunababy.com/warranty)

### Recapito

Per la sostituzione di parti, manutenzione o domande sulla garanzia, contattare il dipartimento di assistenza al cliente.

[info@nunababy.com](mailto:info@nunababy.com)

[www.nunababy.com](http://www.nunababy.com)

## Requisiti di utilizzo da parte del bambino

Questa seduta del passeggino è adatta per l'uso con bambini con i seguenti requisiti:

**Bambino:** almeno 6 mesi

**Peso:** Fino a 15 kg (33 lb) massimo

**Altezza:** 114,3 cm

Non è adatto per bambini al di sotto di 6 mesi.

Quando si utilizza il telaio del passeggino con la culla o la culla portatile, fare riferimento ai requisiti di utilizzo da parte del bambino elencati nei manuali di istruzioni.



# AVVERTENZA

La mancata osservanza delle seguenti avvertenze e istruzioni potrebbe causare lesioni gravi o decesso.

Utilizzare sempre il sistema di ritenuta.

Prima dell'uso controllare che i meccanismi di aggancio della seduta, della navicella o del seggiolino auto siano correttamente agganciati.

Non lasciare che il bambino giochi con questo prodotto.

Prima dell'uso assicurarsi che tutti i meccanismi di bloccaggio siano correttamente agganciati.

Non lasciare mai il bambino incustodito.

Questo prodotto non è adatto per correre o pattinare.

Per evitare lesioni o ferimenti assicurarsi che il bambino sia a debita distanza durante le operazioni di apertura e chiusura del prodotto.

Questa seduta non è adatta per bambini di età inferiore a 6 mesi.

Gli accessori non approvati dal produttore non devono essere usati. Utilizzare solo le parti di ricambio fornite o consigliate dal produttore/distributore.

Il prodotto deve essere montato solo da adulti.

Quando ci si ferma, applicare **SEMPRE** il freno di stazionamento.

Eventuali danni causati dall'uso di accessori non forniti da Nuna non saranno coperti dalla garanzia.

Qualsiasi carico sulla maniglia, sul retro dello schienale e/o sui lati del veicolo influisce sulla stabilità del veicolo stesso.

Assicurarsi che il passeggino sia completamente eretto e bloccato prima che il bambino si avvicini ad esso.

**NON** trasportare altri bambini, prodotti o accessori nel o sul passeggino, salvo nei casi ammessi nel presente manuale. Possono causare l'instabilità del passeggino.

**NON** lasciare il passeggino esposto nei pressi di forti fonti di calore, come ad esempio un radiatore o una fiamma libera.

**NON** mettere mai nessun oggetto sul tettuccio.

**NON** lasciare il passeggino in sosta in luoghi umidi. Lasciare sempre che il tessuto si asciughi naturalmente lontano da fonti di calore dirette.

**NON** utilizzare il cestello di conservazione per il trasporto del bambino.

**NON** utilizzare il passeggino nel caso in cui alcuni componenti siano danneggiati o mancanti.

Ogni passeggino/secondo seggiolino è destinato all'uso per bambini di almeno 6 mesi e fino a 15 kg massimo o con un'altezza di 114,3 cm.

Per i seggiolini per auto utilizzati in combinazione con un telaio, questo veicolo non sostituisce una culla o un letto. Se il bambino ha necessità di dormire deve essere messo nella sua culla o nel lettino.

Tenere lontano dai bambini i piccoli componenti, perché possono costituire un pericolo di soffocamento.

Affrontare cordoli di marciapiedi e pavimentazioni sconnesse con molta attenzione. Gli urti ripetuti potrebbero causare danni al passeggino.

**NON** lasciare mai che i bambini stiano in piedi sul passeggino.

**NON** trasportare mai più di un bambino per sedile.

**NON** trasportare mai più di due bambini per volta sul passeggino.

**NON** utilizzare mai il passeggino su scale o scale mobili. Si potrebbe perdere improvvisamente il controllo del passeggino o il bambino potrebbe cadere.

La cintura deve essere sempre correttamente applicata e regolata. La cintura non sostituisce l'attenta supervisione di un adulto.

Il freno di stazionamento deve essere inserito quando si mette o toglie il bambino.

Il sovraccarico, l'errata piegatura e l'uso di accessori, come per es. seggiolini per bambini, ganci per borse, coperture antipioggia, piani d'appoggio per passeggini, ecc..., diversi da quelli approvati da Nuna possono danneggiare il passeggino.

Le ruote in gomma possono lasciare dei segni neri su superfici lisce, come il parquet, il laminato e il linoleum.

**PERICOLO DI STRANGOLAMENTO** Non collocare oggetti dotati di lacci attorno al collo del bambino, appendere i lacci di questo prodotto o fissare i lacci ai giocattoli.

Per evitare il pericolo di soffocamento, prima di ogni utilizzo togliere tutte le coperture di plastica ed eliminarle o tenerle lontane da neonati e bambini!

Per evitare una condizione di instabilità pericolosa, non introdurre oltre 4,5 kg nel cestello portaoggetti/nel cestello rimovibile.

L'uso del passeggino con più di 34,5 kg causa un'usura eccessiva e sollecitazione sul passeggino.  
34,5 kg = passeggino/secondo seggiolino max. da 15 kg + passeggino/secondo seggiolino max. da 15 kg + cestello portaoggetti/cestello rimovibile max. da 4,5 kg.

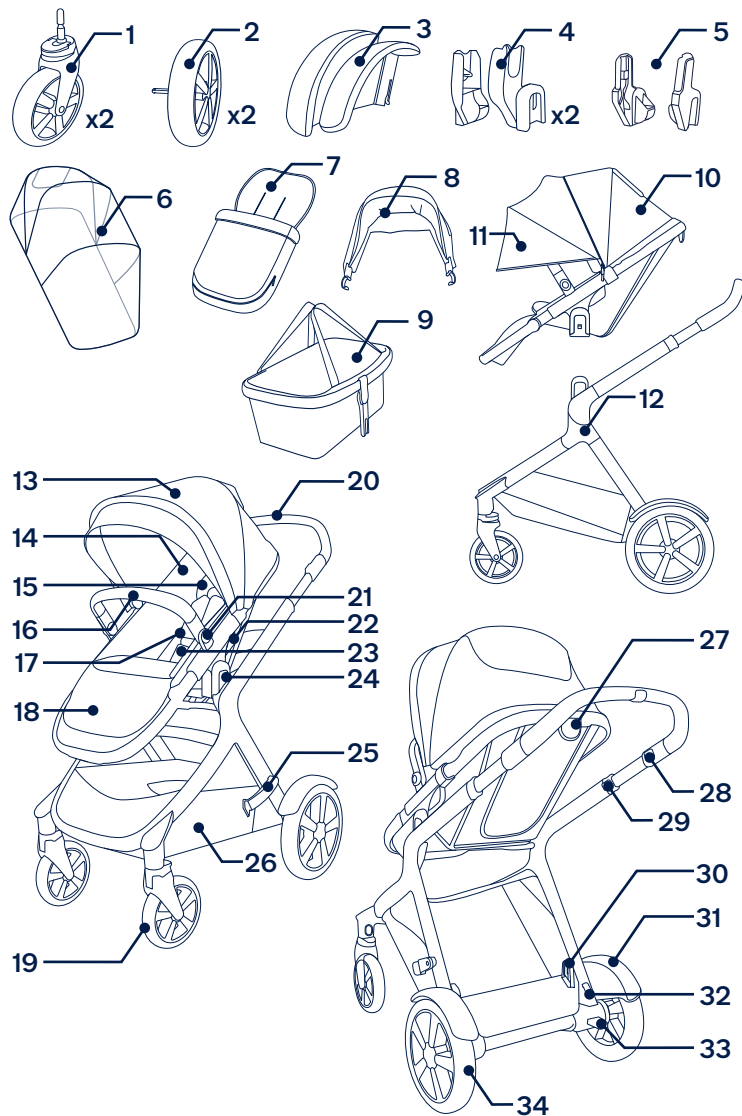
Quando si utilizza il prodotto DEMI grow con due bambini, assicurarsi che siano posizionati correttamente solo nelle aree di seduta.

# Elenco componenti

Assicurarsi che tutti i pezzi siano disponibili prima dell'assemblaggio. Se manca qualche pezzo, contattare il rivenditore locale. Per l'assemblaggio non è necessario nessun attrezzo.

**! PERICOLO DI SOFFOCAMENTO:** Rimuovere e gettare immediatamente i cappucci di protezione di ogni ruota e asse del mozzo della ruota.

- |   |  |
|---|--|
| 1 Ruota anteriore (x2)  | 19 Ruota anteriore                                       |
| 2 Ruota posteriore (x2)   | 20 Maniglia passeggino                                   |
| 3 Parafango posteriore  | 21 Pulsante di regolazione del bracciolo                 |
| 4 Adattatori per sistema di ritenuta per bambini (x2)           | 22 Pulsante di rilascio seduta                           |
| 5 Adattatori di sostegno del seggiolino e della culla portatile | 23 Fibbia e copertura spartigambe                        |
| 6 Copertura antipioggia   | 24 Sostegno seduta superiore                             |
| 7 Sacco coprigambe  | 25 Fermo di chiusura                                     |
| 8 Tettuccio   | 26 Cestello di conservazione                             |
| 9 Cestello rimovibile   | 27 Pulsante di regolazione dell'inclinazione             |
| 10 Seduta del passeggino  | 28 Pulsante di regolazione della maniglia                |
| 11 Dream Drape™   | 29 Pulsante di piegatura                                 |
| 12 Telaio passeggino  | 30 Sostegno seduta inferiore                             |
| 13 Tettuccio  | 31 Parafango posteriore                                  |
| 14 Imbottitura  | 32 Leva di regolazione doppia sospensione personalizzata |
| 15 Poggiatesta  | 33 Leva del freno  |
| 16 Bracciolo  | 34 Ruota posteriore                                      |
| 17 Imbottiture per cintura avvolgispalla                        |  |
| 18 Supporto per la gamba  |  |



# Configurazione del prodotto

## Apertura del passeggino

- 1 - Separare il fermo di chiusura dal supporto. (1)
- 2 - Quindi, ruotare la maniglia del passeggino verso l'alto. (2)
- 3 - Quando si sente il "clac" significa che il telaio del passeggino è completamente aperto. (3)  
Verificare che il telaio del passeggino sia completamente bloccato aperto prima di continuare.

## Parafanghi posteriori

Fissare i parafanghi posteriori per le modalità twin e doppia.

- 1 - Inserire il parafango posteriore nella gamba posteriore. Quando si sente il "clac" significa che il parafango è montato completamente. (4)  
Verificare che il parafango sia saldamente fissato tirandolo verso l'alto.  
Ripetere sul lato opposto.  
**!** **NON** rimuovere i parafanghi una volta montati.

## Ruote posteriori

- 1 - Inserire la ruota posteriore nella gamba posteriore. Quando si sente il "clac" significa che la ruota posteriore è montata completamente. (5)  
Verificare che la ruota sia saldamente fissata cercando di estrarla.  
Ripetere sul lato opposto.
- 2 - Per rimuovere la ruota posteriore, premere il pulsante di rilascio (6)-1 e staccare la ruota posteriore alla gamba posteriore (6)-2.

## Ruote anteriori

- 1 - Inserire la ruota anteriore nella gamba anteriore. Quando si sente il "clac" significa che la ruota è montata completamente. (7)  
Verificare che la ruota sia saldamente fissata cercando di estrarla. Ripetere sul lato opposto.
- 2 - Per rimuovere la ruota anteriore, premere il pulsante di rilascio (8)-1 e staccare la ruota anteriore alla gamba anteriore (8)-2.

## Tettuccio

- 1 - Fissare il supporto del tettuccio sulla seduta del passeggino su ogni lato. (9)
- 2 - Chiudere la cerniera del tettuccio sulla seduta del passeggino. (10)
- 3 - Per rimuovere il tettuccio, aprire le cerniere, quindi rimuovere i supporti del tettuccio. (11)

## Bracciolo

- 1 - Allineare le estremità del bracciolo con i supporti del bracciolo e inserire finché non scatta in posizione. Quando si sente il "clac" significa che il bracciolo è montato completamente. (12)
- 2 - Per rimuovere il bracciolo, premere i pulsanti di rilascio del bracciolo (13)-1 situato sotto l'imbottitura del seggiolino e rimuovere il bracciolo. (13)-2
- 3 - Per una maggiore compattezza, premere i pulsanti di regolazione del bracciolo (13)-1 e ruotare il bracciolo verso il basso (13)-2 finché non scatta in posizione.

- ! Utilizzare solo la posizione verso il basso/di conservazione per chiudere. **NON** utilizzare questa posizione con il bambino nel passeggino.

## Seduta del passeggino

La seduta del passeggino può essere fissato rivolta in senso contrario al senso di marcia o in senso di marcia.

- 1 - Allineare i lati della seduta del passeggino con i supporti della seduta. Appoggiare direttamente la seduta del passeggino finché non scatta in posizione con un clic. Quando si sente il “clic” significa che la seduta del passeggino è montata completamente. **(15)**
- 2 - Per rimuovere la seduta del passeggino, premere i pulsanti di rilascio **(16)**-1 e sollevare la seduta del passeggino **(16)**-2.

### Controllo dell'installazione

- Il telaio del passeggino è bloccato aperto
- I parafranghi posteriori sono saldamente fissati
- Le ruote posteriori sono saldamente fissate
- Le ruote anteriori sono saldamente fissate
- La seduta del passeggino è saldamente fissata
- Il supporto del tettuccio è fissato al telaio del passeggino e la cerniera del tettuccio è chiusa sull'imbottitura della seduta

## Uso del prodotto

### Bloccaggio del telefono

- 1 - Premere il pulsante centrale sulla fibbia per sganciare la fibbia di bloccaggio, rimuovere i fermagli e sistemare il bambino nel passeggino. **(17)**
- 2 - Collegare la fibbia per le spalle e la fibbia per i fianchi. **(18)**
- 3 - Fissare la fibbia per le spalle e la fibbia per i fianchi alla fibbia di bloccaggio e ripetere sul lato opposto. **(19)**
- 4 - Applicare la cintura al bambino facendo scorrere le fibbie di regolazione inferiori (situate sotto le coperture della cintura) verso l'alto **(20)**-1. Quindi, estrarre le cinghie di regolazione inguinali. **(20)**-2

### Posizione della cintura per le spalle

- 1 - È possibile spostare verso l'alto e il basso le fibbie della cintura avvolgispalla superiori. **(21)**
- ! Per evitare gravi lesioni a seguito di caduta o scivolamento, allacciare il bambino con le cinture.
- Assicurarsi che la cintura sia regolata correttamente e che il bambino sia perfettamente allacciato. Lo spazio tra il bambino e la cintura per le spalle deve essere di circa lo spessore di un dito.
- NON** incrociare le cinture per le spalle. Ciò provocherà pressione sul collo del bambino.

## Rimozione dell'imbottitura per cintura avvolgispalla

Per rimuovere l'imbottitura per cintura avvolgispalla, rilasciare la fibbia.

- 1 - Far scorrere l'imbottitura per cintura avvolgispalla fuori dalla cinghia delle fibbie della cintura avvolgispalla. **(22)**

Per inserire di nuovo l'imbottitura per cintura avvolgispalla, rimuovere gli agganci e inserire la fibbia della cintura avvolgispalla nell'occhiello interno.

## Tettuccio

- 1 - Per aprire il tettuccio, tirarlo verso la parte anteriore della seduta e, per piegarlo, spingerlo verso il retro. **(23)**
- 2 - Aprire la cerniera sul tettuccio per utilizzare il Dream Drape™. **(24)**
- 3 - Estrarre il Dream Drape™ per fornire una copertura aggiuntiva. **(25)**
- 4 - Per una maggiore ventilazione, inclinare la copertura della finestrella del tettuccio. **(26)**

## Maniglia

La maniglia ha 4 posizioni.

- 1 - Per regolare l'altezza della maniglia, premere il pulsante di regolazione della maniglia **(27)-1** e tirare la maniglia verso l'alto o il basso **(27)-2**.

## Supporto per la gamba

Il supporto per la gamba ha 2 posizioni di utilizzo.

- 1 - Per sollevare il supporto per la gamba, sollevarlo. Per abbassare il supporto per la gamba, premere il pulsante di regolazione al centro del supporto per la gamba **(28)-1** e spingerlo verso il basso **(28)-2**.

## Reclinazione

- 1 - Lo schienale può essere regolato in 3 diverse posizioni di reclinazione. **(29)**
- 2 - Per sollevare o abbassare lo schienale, premere il pulsante di regolazione della reclinazione e tirare la seduta verso l'alto o il basso. **(30)**

## Imbottitura

Utilizzare l'imbottitura invernale quando fa freddo per garantire una comoda area di seduta. L'imbottitura invernale può essere rimossa in modo da fornire un'area di seduta a rete per una maggiore ventilazione quando fa caldo.

- 1 - Per rimuovere l'imbottitura, scollegare la cintura, aprire la cerniera attorno all'imbottitura e inserire la cintura attraverso le fessure dell'imbottitura. **(31)**
- ! **NON** rimuovere il tubo dello schienale.

## Freno

- 1 - Per bloccare le ruote posteriori, abbassare la leva del freno. **(32)**
  - 2 - Per sbloccare le ruote posteriori, sollevare la leva del freno. **(33)**
- ! Applicare sempre il freno quando si arresta il passeggino. Spingere leggermente il passeggino per assicurarsi che il freno sia inserito.

## Dual Suspension™personalizzata

Il passeggino ha due modalità di sospensione. Assicurarsi che sul passeggino non sia posto alcun peso quando si regola la sospensione posteriore e che entrambe le leve siano nella stessa posizione.

- 1 - Capovolgere le leve di regolazione verso l'alto **(34)-1** su un terreno accidentato per una sospensione più morbida e capovolgere le leve di regolazione verso il basso **(34)-2** su superfici lisce per una sospensione più rigida.

Quando si usa come doppio o twin, si consiglia di capovolgere le leve di regolazione verso il basso.

## Bloccaggi anteriori orientabili

Raccomandiamo di utilizzare i bloccaggi orientabili anteriori sulle superfici irregolari.

- 1 - Tirare verso l'esterno il bloccaggio orientabile anteriore per bloccare la ruota anteriore rivolta in avanti. **(35)**
- 2 - Inserire il bloccaggio orientabile anteriore per sbloccare. **(36)**

## Piegatura

Prima di piegare il passeggino, regolare la maniglia sulla 2<sup>a</sup> o 3<sup>a</sup> posizione più alta e assicurarsi che i bloccaggi orientabili anteriori siano sbloccati.

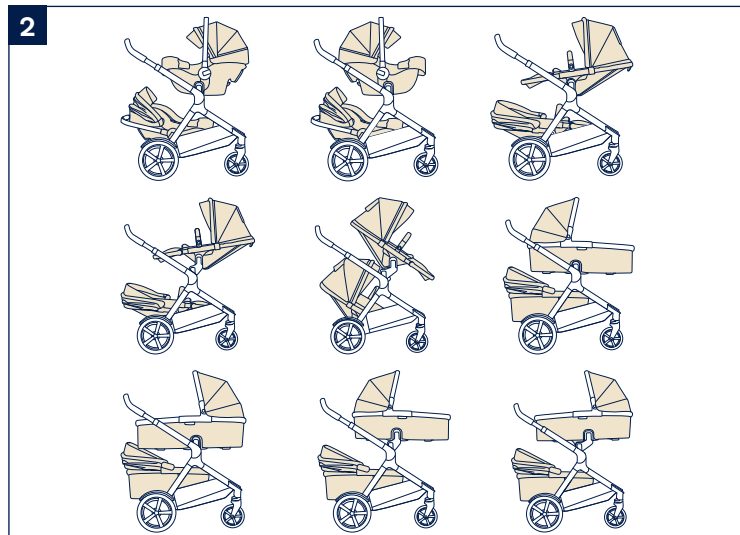
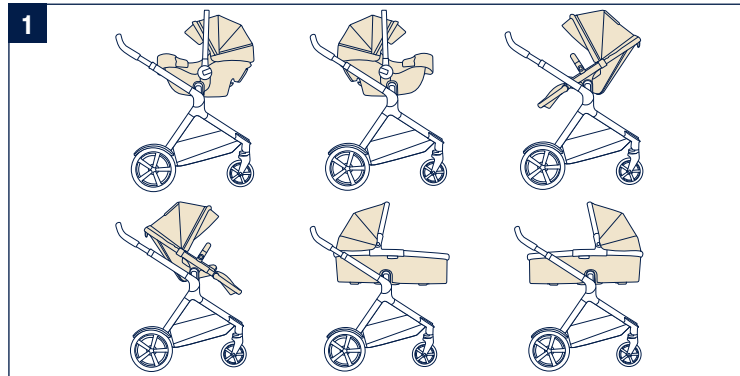
Il passeggino può essere piegato con la seduta rivolta in posizione di marcia o senza seduta del passeggino.

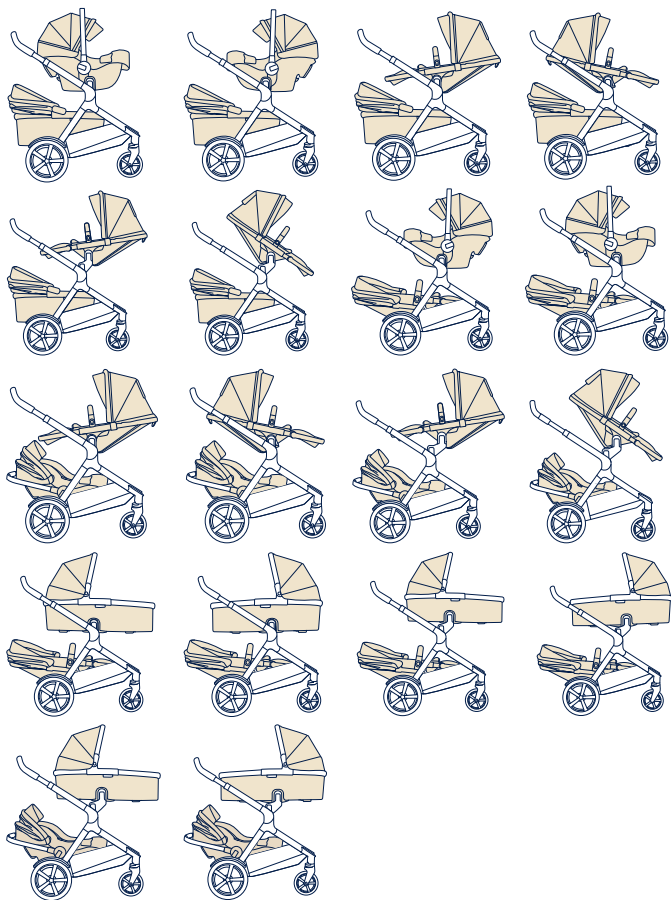
Se si piega con la seduta, collocarla nella posizione più reclinata per una maggiore compattezza.

- 1 - Piegare il tettuccio **(37)-1** e ruotare verso l'esterno il fermo di chiusura **(37)-2**.
- 2 - Sollevare entrambi i pulsanti di piegatura. **(38)**
- 3 - Ruotare la maniglia verso il basso e assicurarsi che il fermo di chiusura sia chiuso sul telaio del passeggino. **(39)**
- 4 - Piegare verso il basso il supporto per la gamba per una maggiore compattezza. **(40)**

## Opzioni per sedersi

La struttura del passeggino DEMI grow può essere utilizzata con il PIPA series portabebé (utilizzando gli adattatori inclusi), DEMI grow culla portatile e DEMI grow passeggino/seggiolino secondo bimbo nelle seguenti combinazioni. singolo **(1)**, gemello **(2)**, raddoppiare **(3)**





## Uso dell'opzione per sedersi

Quando si utilizza il telaio del passeggino con la seduta del passeggino, la culla o la culla portatile, piegare il tettuccio quando la seduta del passeggino, la culla o la culla portatile sono montate sul supporto inferiore.

- ! Non tutti gli accessori sono inclusi in alcuni modelli e non sono consentite tutte le modalità.
- 1 - NON** utilizzare la seduta del passeggino **(41)-1**, la culla **(41)-2** o la culla portatile **(41)-3** in modalità contraria al senso di marcia sul supporto inferiore.
- 2 - NON** regolare lo schienale della seduta del passeggino verso l'alto quando è montato sul supporto inferiore e la culla è montata sul supporto superiore. **(42)**
- 3 -** Si consiglia di non montare la culla sul supporto superiore da solo quando si monta la culla portatile sul supporto inferiore. **(43)**
- ! La culla può essere montata sul supporto superiore con gli adattatori di sostegno del seggiolino e della culla portatile quando la culla portatile viene montata sul supporto inferiore.
- 4 - NON** regolare la maniglia della culla portatile sulla posizione verticale quando la culla portatile è montata sul supporto inferiore. **(44)**
- ! Utilizzare gli Adattatori di sostegno del seggiolino e della culla portatile (Elenco componenti #5) sul supporto superiore quando si utilizzano contemporaneamente i supporti superiore e inferiore entrambi con modalità in senso di marcia.



## Accessori

! Non tutti gli accessori sono compresi in alcuni modelli.

### Seduta del passeggino DEMI™grow

Quando si installa la seduta del passeggino nel supporto inferiore, piegare il tettuccio, regolare il supporto per la gamba nella posizione più alta e piegare in avanti il pannello posteriore del cestello del passeggino.

**1** - Per fissare la seduta del passeggino, allineare i lati della seduta del passeggino con i supporti della seduta. **(45)**

Appoggiare direttamente la seduta del passeggino finché non scatta in posizione con un clic. Quando si sente il “clic” significa che la seduta del passeggino è fissata. **(45)**

! Rimuovere la seduta del passeggino dal supporto inferiore prima di piegare il passeggino.

! Utilizzare gli adattatori di sostegno del seggiolino e della culla portatile sul supporto superiore quando si utilizzano contemporaneamente i supporti superiore e inferiore entrambi con modalità in senso di marcia.

### Culla portatile DEMI grow

Per il montaggio e l'uso della culla, fare riferimento al manuale di istruzioni del tettuccio.

Quando si installa la culla nel supporto inferiore, piegare il tettuccio.

**1** - Per fissare la culla, allineare i lati della culla con i supporti della seduta. **(46)**

Appoggiare direttamente la culla finché non scatta in posizione con un clic. Quando si sente il “clic” significa che la culla è fissata. **(46)**

**2** - La culla può essere installata rivolta in senso contrario al senso di marcia o in senso di marcia nel supporto superiore. **(47)**

**3** - Per rimuovere la culla, premere i pulsanti di rilascio **(48)**-1 e sollevare la culla **(48)**-2.

! Prima di piegare il passeggino, piegare la culla.

### Uso del cestello rimovibile

Prima di montare il cestello rimovibile, piegare in avanti il pannello posteriore del cestello.

**1** - Ruotare i supporti su entrambi i lati del cestello rimovibile verso il basso e inserirlo nei supporti. **(49)**

! Prestare attenzione alla direzione del cestello rimovibile durante il montaggio. Quando si sente il clic significa che il cestello rimovibile è montato correttamente. **(49)**

**2** - Sollevare per rimuovere il cestello rimovibile. **(50)**

### Copertura antipioggia del passeggino DEMI grow

Utilizzare la copertura antipioggia del passeggino sulla seduta del passeggino nel supporto superiore. **(51)**

**1** - Per assemblare la copertura antipioggia, collocarla sopra la seduta del passeggino.

! Con la copertura antipioggia applicata al passeggino, controllare **SEMPRE** la ventilazione.

Controllare **SEMPRE** che la copertura antipioggia sia pulita e asciutta prima di ripiegarla.

**NON** piegare il passeggino dopo aver montato la copertura antipioggia.

**NON** far sedere il bambino nel passeggino con la copertura antipioggia montata quando fa caldo.

## Sacco coprigambe del passeggino DEMI grow

- 1 - Per facilitare il montaggio del sacco coprigambe, rimuovere il bracciolo, scollegare la cintura e rimuovere l'imbottitura per cintura avvolgispalla, l'imbottitura spartigambe e il poggiatesta. (52)
- 2 - Prima di collocare il sacco coprigambe sulla seduta del passeggino, aprire la cerniera e aprire la copertura anteriore il sacco coprigambe. (53)
- 3 - Collocare il sacco coprigambe sulla seduta del passeggino tirare il regolatore e le fibbie della cintura avvolgispalla attraverso le fessure del sacco coprigambe. (54) Rimontare l'imbottitura per cintura avvolgispalla, l'imbottitura spartigambe e il poggiatesta e fissare il bracciolo.
- 4 - Aprire la cerniera della copertura anteriore del sacco coprigambe. (55)
- 5 - Piegarlo l'aletta del sacco coprigambe sulla bracciolo del passeggino. (56)

## Sistema di ritenuta per bambini

Per il montaggio e l'uso del sistema di ritenuta per bambini, fare riferimento al manuale di istruzioni del sistema di ritenuta per bambini.

Quando si installa il sistema di ritenuta per bambini nel supporto inferiore, piegare il tettuccio.

- 1 - Per fissare gli adattatori di sostegno del seggiolino per auto, collocarli sui supporti della seduta. Quando si sente il "clic" significa che gli adattatori di sostegno del seggiolino per auto sono fissati. (57)

- 2 - Per fissare il sistema di ritenuta per bambini, collocarlo sugli adattatori di sostegno del seggiolino per auto. Quando si sente il "clic" significa che il sistema di ritenuta per bambini è fissato. (58)
  - 3 - Per rimuovere il sistema di ritenuta per bambini, premere i pulsanti di rilascio del passeggino sul sistema di ritenuta per bambini (59)-1 e sollevarlo (59)-2.
  - 4 - Per rimuovere gli adattatori di sostegno del seggiolino per auto, premere i pulsanti di rilascio dell'adattatore (60)-1 e sollevarli (60)-2.
  - 5 - Gli adattatori di sostegno del seggiolino per auto possono essere fissati rivolti in senso contrario al senso di marcia (61)-1 o rivolti in senso di marcia (61)-2 nel supporto superiore.
- ! Rimuovere il sistema di ritenuta per bambini prima di piegare.

## Adattatori di sostegno del seggiolino e della culla portatile

- ! È possibile montare gli adattatori di sostegno del seggiolino e della culla portatile solo sul supporto superiore.
- ! Utilizzare gli adattatori di sostegno del seggiolino e della culla portatile sul supporto superiore quando si utilizzano contemporaneamente i supporti superiore e inferiore entrambi con modalità in senso di marcia.

- 1 - Per fissare gli adattatori di sostegno del seggiolino e della culla portatile, posizionarli sui supporti come mostrato **(62)**. Quando si sente il “**clac**” significa che gli adattatori di sostegno del seggiolino e della culla portatile sono bloccati. **(63)**
  - ! Utilizzare correttamente gli adattatori di sostegno del seggiolino e della culla portatile, come mostrato **(64)**.
- 2 - Per fissare gli adattatori di sostegno del seggiolino e della culla portatile, collocare la culla portatile sugli adattatori di sostegno del seggiolino e della culla portatile. Quando si sente il “**clac**” significa che la culla portatile è bloccata. **(65)**
  - ! Non utilizzare la culla portatile sulla seduta superiore con lo schienale della seduta inferiore in posizione verticale.
- 3 - Per fissare il seggiolino sugli adattatori di sostegno del seggiolino e della culla portatile, collocarlo sugli adattatori. Quando si sente il “**clac**” significa che il seggiolino è bloccato. **(66)**
- 4 - Per rimuovere la culla portatile, premere i pulsanti di sgancio **(48)-1** e sollevare la culla portatile **(48)-2**.
- 5 - Per rimuovere il seggiolino, premere i pulsanti di rilascio **(16)-1** e sollevare il seggiolino **(16)-2**.
- 6 - Per rimuovere gli adattatori di sostegno del seggiolino e della culla portatile, sollevarli **(67)-2** whilementre si tirano i pulsanti di sgancio. **(67)-1**
  - ! Rimuovere il seggiolino e la culla portatile prima di piegare.

## Pulizia e manutenzione

Pulire il telaio, le parti in plastica e il tessuto con un panno umido, ma senza utilizzare prodotti abrasivi o candeggina. Non utilizzare lubrificanti al silicone, in quanto attraggono sporcizia e polvere. Non lasciare il passeggino in sosta in luoghi umidi.

Pulire regolarmente le ruote del passeggino con acqua eliminando lo sporco.

Per assicurare una lunga durata, dopo averlo usato con la pioggia, strofinare il prodotto con un panno assorbente morbido.

Fare riferimento alle etichette sui rivestimenti imbottiti per le istruzioni di lavaggio e asciugatura.

È normale che i tessuti si scoloriscano per effetto della luce solare e che presentino tracce di usura dopo un lungo periodo d'uso, anche se utilizzati in modo normale.

Per ragioni di sicurezza, utilizzare soltanto ricambi originali Nuna.

Controllare periodicamente se tutto funziona correttamente. Se alcune parti sono danneggiate, rotte o mancanti, cessare di utilizzare questo prodotto.

**¡IMPORTANTE!  
LEAR DETENIDAMENTE  
Y CONSERVAR PARA  
FUTURAS CONSULTAS**

## Índice

### Información del producto

Registro del producto	132
Garantía	132
Contacto	132

### Requisitos de los niños para su uso

133

### Advertencias

134

### Lista de piezas

138

### Montaje del producto

140

### Uso del producto

143

### Opciones para sentarse

147

### Accesorios

Asiento del cochecito DEMI grow	150
Capazo del cochecito DEMI grow	150
Cesta extraíble del cochecito DEMI grow	151
Capota impermeable del cochecito DEMI grow	151
Cubrepiés del cochecito DEMI grow	152
Dispositivo de sujeción para niños	152
Adaptadores en poste para asiento y capazo	153

### Limpieza y mantenimiento

155

## Información del producto

Número de modelo: \_\_\_\_\_

Fabricado el (fecha): \_\_\_\_\_

### Registro del producto

Rellene la información anterior. El número de modelo y la fecha de fabricación vienen indicados en una etiqueta situada en la parte inferior de la estructura del cochecito.

**Para registrar su producto, visite:**  
[www.nunababy.com/register-gear](http://www.nunababy.com/register-gear)

### Garantía

Hemos diseñado a propósito nuestros productos de alta calidad para que puedan crecer tanto con su hijo como con su familia. Como respaldamos nuestros productos, nuestros artículos están cubiertos por una garantía a medida para cada producto, a partir de la fecha en la que fue adquirido.

Tenga preparada la prueba de compra, el número de modelo y la fecha de fabricación cuando se ponga en contacto con nosotros.

**Para obtener información acerca de la garantía, visite:**  
[www.nunababy.com/warranty](http://www.nunababy.com/warranty)

### Contacto

Para obtener información sobre piezas de repuesto y servicio técnico, o para resolver dudas acerca de la garantía adicional, póngase en contacto con nuestro departamento de atención al cliente.

[info@nunababy.com](mailto:info@nunababy.com)  
[www.nunababy.com](http://www.nunababy.com)

## Requisitos de los niños para su uso

Este asiento para cochecito es apto para su uso con niños que cumplan los siguientes requisitos:

**Niño:** de al menos 6 meses

**Peso:** hasta 15 kg (33 lb) como máximo

**Altura:** 114,3 cm

no es apto para bebés de menos de 6 meses.

Cuando utilice la estructura del cochecito con el moisés o el dispositivo de sujeción para niños, consulte los requisitos de los niños para su uso que se indican en sus respectivos manuales de instrucciones.

## **ADVERTENCIA**

Si no sigue las advertencias e instrucciones que se exponen a continuación, podría provocar graves lesiones o, incluso, la muerte.

Usar siempre el sistema de retención.

Comprobar que los dispositivos de sujeción del capazo, del asiento o de la silla de coche están correctamente engranados antes del uso.

No permita que el niño juegue con este producto.

Asegurarse de que todos los dispositivos de cierre están engranados antes del uso.

No dejar nunca al niño desatendido.

Este producto no es adecuado para correr o patinar.

Para evitar lesiones, asegúrese de que el niño se mantiene alejado durante el desplegado y el plegado de este producto.

Este asiento no es adecuado para niños menores de 6 meses.

No utilice accesorios que no estén aprobados por el fabricante. Utilice únicamente las piezas de recambio proporcionadas o recomendadas por el fabricante o distribuidor.

El montaje solo podrá ser realizado por personas adultas.

Ponga **SIEMPRE** el freno de estacionamiento cuando se detenga.

Cualquier daño causado por el uso de accesorios no suministrados por Nuna no estará cubierto por la garantía.

Si cuelga algún objeto del manillar y/o en la parte trasera del respaldo y/o de los laterales del cochecito, la estabilidad del cochecito se verá afectada.

Asegúrese de que el cochecito está totalmente erguido y bloqueado antes de permitir que el niño se acerque a él.

**NO** deberá llevar más niños, objetos o accesorios en el cochecito, a excepción de lo que se indica en este manual. Si lo hace, podría provocar que el cochecito se vuelva inestable.

**NO** deje el cochecito expuesto cerca de una fuente que desprenda demasiado calor como, por ejemplo, un radiador o una chimenea.

**NO** coloque ningún objeto sobre la capota.

**NO** guarde su cochecito en lugares húmedos. Deje siempre que su tejido se seque al aire libre, alejado del calor directo.

**NO** utilice la cesta portaobjetos como portabebés.

**NO** utilice este cochecito si falta alguna de sus piezas o si alguna de ellas está dañada.

Cada sillita o sillita doble está diseñada para niños de al menos 6 meses y hasta 15 kg (33 lb) como máximo o una altura de 114,3 cm (45”).

En asientos de vehículo que se utilicen con un chasis, este vehículo no sustituye a una cuna ni una cama. Si su hijo necesita dormir, deberá colocarlo sobre una cuna, una cama o un capazo adecuado.

Mantenga las piezas pequeñas fuera del alcance de los niños, ya que existe el riesgo de asfixia.

Cuando pase por bordillos y suelos irregulares, hágalo con cuidado. Un impacto repetido podría dañar el cochecito.

**NUNCA** deje que los niños se pongan de pie sobre el cochecito.

**NUNCA LLEVE** más de un niño por asiento.

**NUNCA** lleve más de dos niños al mismo tiempo en el cochecito.

**NUNCA** utilice el cochecito en escaleras convencionales o mecánicas. Podría perder repentinamente el control del cochecito o su hijo podría caerse.

El arnés deberá estar siempre bien colocado y ajustado correctamente. El arnés no sustituye la supervisión adecuada de un adulto.

El freno de estacionamiento deberá estar engranado cuando coloque y retire al niño.

Si sobrecarga, pliega de forma incorrecta o utiliza accesorios como asientos para niños, enganches para bolsos, capotas impermeables, patinetes Buggy Board, etc. que no estén aprobados por Nuna, podría dañar el cochecito o provocar que este ya no sea seguro.

Las gomas de las ruedas pueden dejar marcas en superficies lisas como el parquet, el suelo laminado o el de linóleo.

**RIESGO DE ESTRANGULAMIENTO** No coloque objetos con cordones alrededor del cuello del niño, no deje que cuelguen cordones de este producto ni ate los cordones a ningún juguete.

¡Para evitar el riesgo de asfixia, retire los plásticos que lo recubren antes de utilizar este producto y destrúyalos o manténgalos fuera del alcance de bebés y niños!

Para evitar riesgos y la inestabilidad del producto, no deberá colocar objetos que sumen en total un peso superior a 4,5 kg en la cesta portaobjetos o la cesta extraíble.

El uso del cochecito con más de 34,5 kg (76 lb) provocará un desgaste y deterioro excesivos en el mismo. Sillita o sillita doble de 34,5 kg (76 lb) = 15 kg (33 lb) como máximo + sillita o sillita doble de 15 kg (33 lb) como máximo + cesta portaobjetos o cesta extraíble de 4,5 kg (10 lb) como máximo.

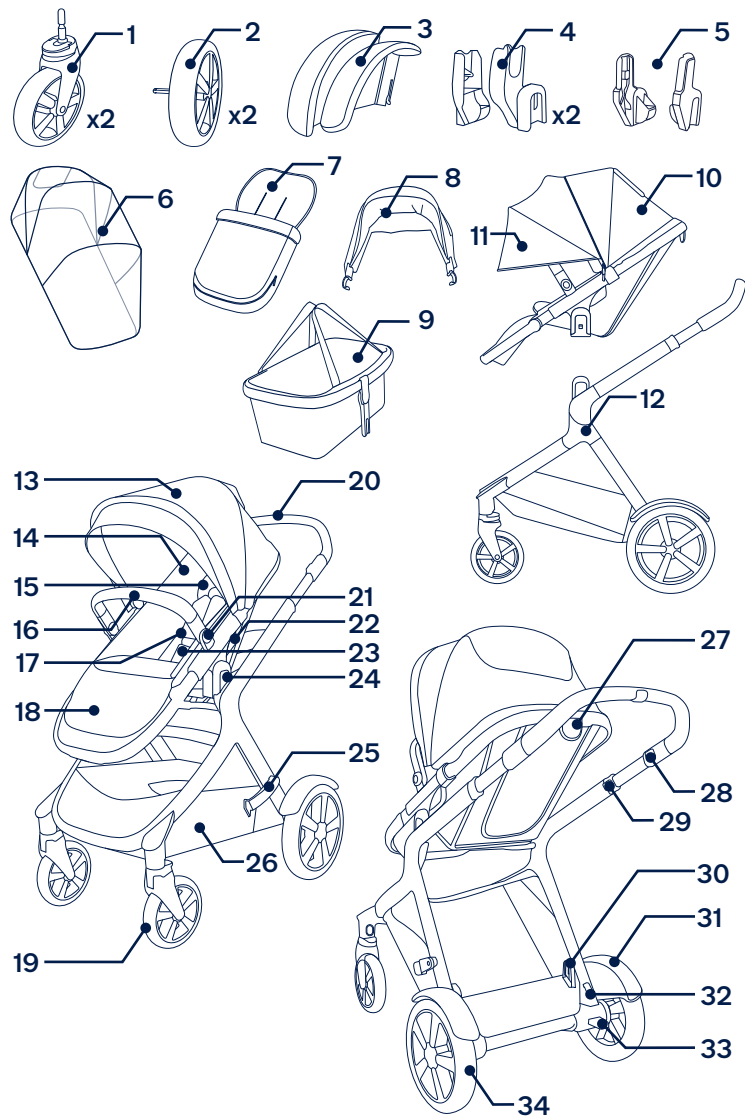
Cuando utilice su DEMI grow con dos niños, asegúrese de que están colocados correctamente en las zonas de asiento únicamente.

# Lista de piezas

Asegúrese de que están disponibles todas las piezas antes de montar el producto. Si falta alguna pieza, póngase en contacto con su proveedor local. No se necesita ninguna herramienta para el montaje.

**! RIESGO DE ASFIXIA:** quite y deseche inmediatamente los tapones protectores de cada rueda y del eje del buje de cada rueda.

- |  |   |
|--|---|
| 1 Rueda delantera (x2)                                   | 20 Manillar del cochecito                                 |
| 2 Rueda trasera (x2)                                     | 21 Botón de ajuste del reposabrazos                       |
| 3 Guardabarros trasero                                   | 22 Botón de desbloqueo del asiento                        |
| 4 Adaptadores de dispositivo de sujeción para niños (x2) | 23 Sujeción de la pelvis y hebilla                        |
| 5 Adaptadores en poste para asiento y capazo             | 24 Soporte del asiento superior                           |
| 6 Capota impermeable                                     | 25 Bloqueo de almacenamiento                              |
| 7 Cubrepieés   | 26 Cesta de almacenamiento                                |
| 8 Capota   | 27 Botón de ajuste de la inclinación                      |
| 9 Cesta extraíble  | 28 Botón de ajuste del manillar                           |
| 10 Asiento de cochecito                                  | 29 Botón de pliegue                                       |
| 11 Dream Drape™  | 30 Soporte del asiento inferior                           |
| 12 Estructura del cochecito                              | 31 Guardabarros trasero                                   |
| 13 Capota  | 32 Palanca de ajuste de la suspensión doble personalizada |
| 14 Acolchado del asiento                                 | 33 Palanca del freno                                      |
| 15 Reposacabezas   | 34 Rueda trasera  |
| 16 Reposabrazos  |   |
| 17 Acolchado del arnés para los hombros                  |   |
| 18 Soporte para los gemelos                              |   |
| 19 Rueda delantera                                       |   |





# Montaje del producto

## Abrir el cochecito

- 1 - Separe el bloqueo de almacenamiento del soporte de almacenamiento. (1)
- 2 - A continuación, gire el manillar del cochecito hacia arriba. (2)
- 3 - Cuando escuche un “clic”, significará que la estructura del cochecito está completamente abierta. (3)

Compruebe que la estructura del cochecito está completamente abierta y bloqueada antes de continuar.

## Guardabarros traseros

Coloque los guardabarros para los modos de gemelos o doble.

- 1 - Introduzca el guardabarros trasero dentro de la pata trasera. Cuando escuche un “clic”, significará que el guardabarros está completamente montado. (4)

Compruebe que el guardabarros está bien sujeto tirando de él hacia arriba.

Repita este paso en el lado contrario.

! **NO** quite los guardabarros una vez estén montados.

## Ruedas traseras

- 1 - Introduzca la rueda trasera dentro de la pata trasera. Cuando escuche un “clic”, significará que la rueda trasera está completamente montada. (5)

Compruebe que la rueda está bien sujeta tirando de ella hacia fuera.

Repita este paso en el lado contrario.

- 2 - Para quitar la rueda trasera, presione el botón de desbloqueo (6)-1 y desmóntela de la pata trasera (6)-2.

## Ruedas delanteras

- 1 - Introduzca la rueda delantera dentro de la pata delantera. Cuando escuche un “clic”, significará que la rueda está completamente montada. (7)

Compruebe que la rueda está bien sujeta tirando de ella hacia fuera. Repita este paso en el lado contrario.

- 2 - Para quitar la rueda delantera, presione el botón de desbloqueo (8)-1 y desmóntela de la pata delantera (8)-2.

## Capota

- 1 - Enganche el soporte de la capota a cada lado del asiento de cochecito. (9)
- 2 - Una la capota al asiento de cochecito cerrando las cremalleras. (10)
- 3 - Para quitar la capota, abra las cremalleras y, a continuación, quite los soportes de la capota. (11)

## Reposabrazos

- 1 - Alinee los extremos del reposabrazos con los soportes del reposabrazos e introdúzcalo hasta que quede sujeto en su posición mediante el sonido de un clic. Cuando escuche un “clic”, significará que el reposabrazos está completamente montado. (12)
  - 2 - Para quitar el reposabrazos, presione los botones de desbloqueo del reposabrazos (13)-1 situados bajo el acolchado del asiento y quite el reposabrazos. (13)-2
  - 3 - Para un pliegue más compacto, presione los botones de ajuste del reposabrazos (14)-1 y gire este hacia abajo (14)-2 hasta que quede encajado en su lugar.
- ! Utilice solamente la posición abajo o de almacenamiento para el plegado. **NUNCA** utilice esta posición con el niño en el cochecito.

## Asiento de cochecito

El asiento de cochecito se puede acoplar orientado hacia adelante o hacia atrás.

- 1 - Alinee los laterales del asiento de cochecito con los soportes del asiento. Coloque el asiento de cochecito directamente hacia abajo hasta que quede sujeto en su posición mediante el sonido de un clic. Cuando escuche un “clic”, significará que el asiento de cochecito está completamente montado. (15)
- 2 - Para quitar el asiento de cochecito, pulse los botones de desbloqueo del asiento (16)-1 y levante el asiento de cochecito (16)-2.

### Comprobar el montaje

- La estructura del cochecito está abierta y bloqueada
- Los guardabarros traseros están bien sujetos
- Las ruedas traseras están bien sujetas
- Las ruedas delanteras están bien sujetas
- El asiento de cochecito está bien sujeto
- El soporte de la capota está enganchado a la estructura del cochecito y la capota está unida al acolchado del asiento mediante las cremalleras

## Uso del producto

### Asegurar al niño

- 1 - Pulse el botón central de la hebilla para soltar el bloqueo de la hebilla, quite los enganches y coloque al niño en el cochecito. (17)
- 2 - Conecte la hebilla de los hombros y la hebilla de la cadera. (18)
- 3 - Abroche la hebilla de los hombros y la hebilla de la cadera con el bloqueo de la hebilla y repita este paso en el lado contrario. (19)
- 4 - Coloque el arnés de manera que el niño esté cómodo deslizando hacia arriba las hebillas de ajuste inferiores (ubicadas bajo las fundas del arnés) (20)-1. A continuación, tire de las correas de ajuste de la cintura hacia fuera. (20)-2

### Posición del arnés de los hombros

- 1 - Las hebillas del arnés para los hombros superiores se pueden mover hacia arriba y hacia abajo para un mayor ajuste. (21)
- ! Con el fin de evitar lesiones graves como consecuencia de caídas o resbalones, mantenga al niño sujeto con el arnés en todo momento.

Asegúrese de que el arnés está ajustado correctamente y de que su hijo está sujeto cómodamente. El espacio entre el niño y el arnés para los hombros deberá ser del grosor de un dedo más o menos.

**NO** cruce los cinturones de los hombros. Si lo hace, podría presionar el cuello del niño.

## Extraer el acolchado del arnés para los hombros

Para quitar el acolchado del arnés para los hombros, suelte la hebilla.

- 1 - Deslice el acolchado del arnés para los hombros hacia fuera de la correa del arnés con hebilla para los hombros. **(22)**

Para volver a colocar el acolchado del arnés para los hombros, suelte las sujeciones e introduzca la hebilla del arnés para los hombros por el interior de la anilla.

## Capota

- 1 - Para abrir la capota, tire de ella hacia adelante del asiento; y para plegarla, empújela hacia atrás. **(23)**
- 2 - Abra la cremallera de la capota para utilizar la cortina Dream Drape™. **(24)**
- 3 - Tire de la cortina Dream Drape™ hacia abajo para tener más sombra. **(25)**
- 4 - Para una mayor ventilación, levante la cubierta de la ventana de la capota. **(26)**

## Manillar

El manillar se puede colocar en 4 posiciones distintas.

- 1 - Para ajustar la altura del manillar, pulse el botón de ajuste del manillar **(27)**-1 y tire del manillar hacia arriba o hacia abajo **(27)**-2.

## Soporte para los gemelos

Se puede utilizar el soporte para los gemelos en 2 posiciones distintas.

- 1 - Para elevar el soporte para los gemelos, tire de él hacia arriba. Para bajar el soporte para los gemelos, pulse el botón de ajuste ubicado en el centro del soporte para los gemelos **(27)**-1, y empújelo hacia abajo. **(28)**-2.

## Reclinación

- 1 - El respaldo se puede reclinar en 3 posiciones distintas. **(29)**
- 2 - Para subir o bajar el respaldo, presione el botón de ajuste de la reclinación y tire del asiento hacia arriba o hacia abajo. **(30)**

## Acolchado del asiento

Utilice el acolchado del asiento para invierno durante las épocas frías para crear una zona cómoda para sentarse. El acolchado del asiento para invierno puede quitarse durante el verano para proporcionar una zona para sentarse de malla para una mejor ventilación.

- 1 - Para quitar el acolchado del asiento, desabroche el arnés, abra la cremallera de alrededor del acolchado del asiento y pase el arnés por las ranuras del acolchado del asiento. **(31)**
- ! **NO** quite el tubo del respaldo.

## Freno

- 1 - Para bloquear las ruedas traseras, pise la palanca del freno. **(32)**
  - 2 - Para desbloquear las ruedas traseras, levante la palanca del freno. **(33)**
- ! Ponga siempre el freno cuando el cochecito esté parado. Empuje el cochecito ligeramente para asegurarse de que el freno está accionado.

## Dual Suspension™ personalizada

El cochecito tiene dos modos de suspensión. Asegúrese de que no se haya colocado ningún peso en el cochecito cuando esté ajustando la suspensión trasera y de que ambas palancas estén en la misma posición.

- 1 - Mueva las palancas de ajuste hacia arriba **(34)-1** cuando esté en terreno accidentado para una suspensión más blanda; muévalas hacia abajo **(34)-2** cuando esté sobre superficies lisas para una suspensión más rígida.

Cuando se usa en el modo doble o de gemelo, se recomienda colocar las palancas de ajuste hacia abajo.

## Bloqueos de las ruedas giratorias delanteras

Se recomienda utilizar los bloqueos de las ruedas giratorias delanteras sobre las superficies irregulares.

- 1 - Empuje hacia fuera los bloqueos de las ruedas giratorias delanteras para bloquear las ruedas delanteras en dirección hacia adelante. **(35)**
- 2 - Presione los bloqueos de las ruedas giratorias delanteras para desbloquearlas. **(36)**

## Plegar

Antes de plegar el cochecito, ajuste el manillar en la segunda o tercera posición más alta y asegúrese de que los bloqueos de las ruedas giratorias delanteras están desbloqueados.

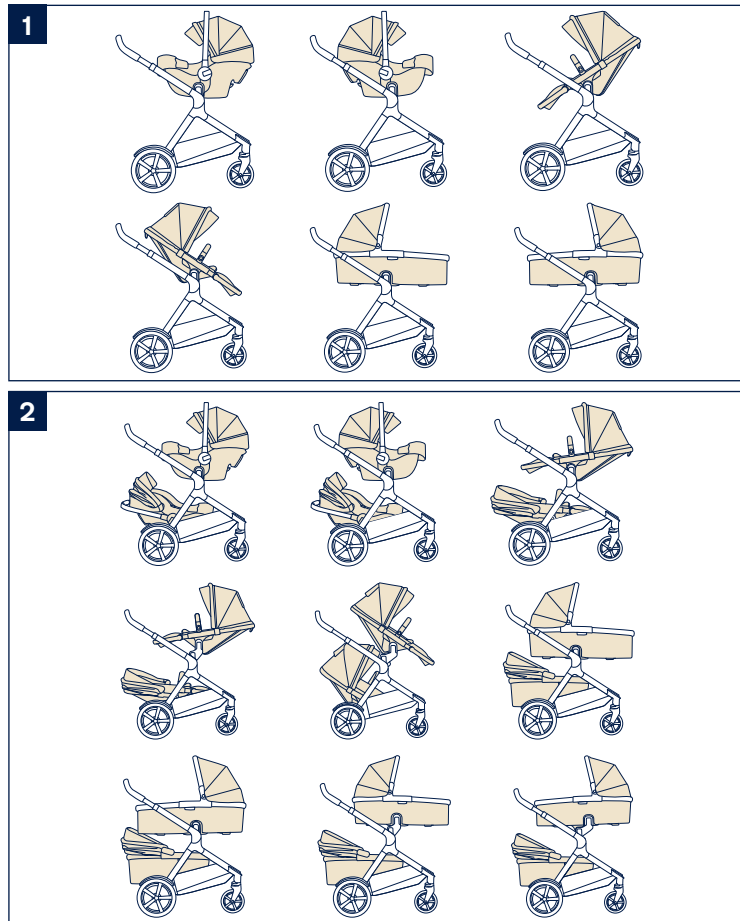
El cochecito se puede plegar con el asiento de cochecito orientado hacia adelante o sin el asiento de cochecito.

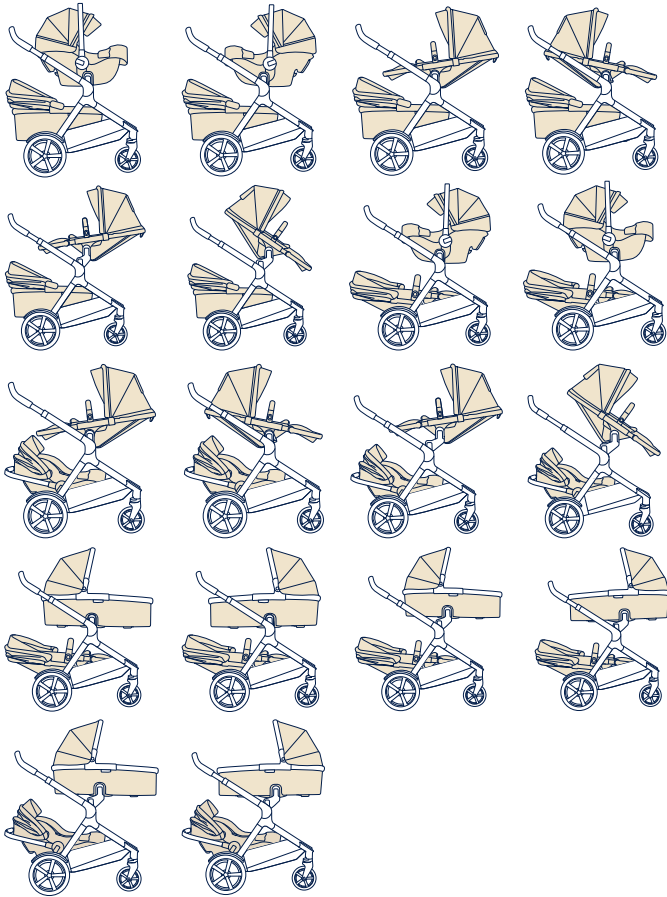
Si lo pliega con el asiento, coloque el asiento en la posición más reclinada para plegarlo de una forma más compacta.

- 1 - Pliegue la capota **(37)-1** y gire el bloqueo de almacenamiento hacia fuera **(37)-2**.
- 2 - Levante los dos botones de pliegue. **(38)**
- 3 - Gire el manillar hacia abajo y asegúrese de que el bloqueo de almacenamiento está cerrado en la estructura del cochecito. **(39)**
- 4 - Pliegue el soporte para los gemelos hacia abajo para plegarlo de una forma más compacta. **(40)**

## Opciones para sentarse

La estructura para cochecito DEMI se puede utilizar con PIPA series sillas para bebé (usando los adaptadores incluidos), el DEMI grow capazo y la DEMI grow sillita o sillita doble en las siguientes combinaciones. Uno **(1)**, gemelo **(2)**, doble **(3)**





## Uso de las opciones para sentarse

Cuando utilice la estructura del cochecito con el asiento de cochecito, el moisés o el dispositivo de sujeción para niños, pliegue la capota cuando el asiento de cochecito, el moisés o el dispositivo de sujeción para niños esté montado en el soporte inferior.

- ! No todos los accesorios están incluidos en algunos modelos y no todos los modos están permitidos.
- 1** - NO utilice el asiento de cochecito **(41)-1**, el moisés **(41)-2** o el dispositivo de sujeción para niños **(41)-3** orientado hacia atrás en el soporte inferior.
- 2** - NO ajuste el respaldo del asiento de cochecito hacia arriba cuando esté montado en el soporte inferior y el moisés esté montado en el soporte superior. **(42)**
- 3** - No es recomendable montar el moisés en el soporte superior solo cuando la sillita se monta en el soporte inferior. **(43)**
- ! El moisés se puede montar en el soporte superior con los adaptadores en poste para asiento y capazo cuando la sillita se monta en el soporte inferior.
- 4** - NO ajuste el manillar del dispositivo de sujeción para niños en la posición vertical cuando el dispositivo de sujeción para niños esté montado en el soporte inferior. **(44)**
- ! Utilice los Adaptadores en poste para asiento y capazo (Lista de piezas #5) en el soporte superior cuando utilice los soportes superior e inferior simultáneamente y ambos orientados hacia adelante.

## Accesorios

- ! No todos los accesorios están incluidos en algunos modelos.

### Asiento del cochecito DEMI™ grow

Cuando instale el asiento de cochecito en el soporte inferior, pliegue la capota, ajuste el soporte para los gemelos en su posición más alta y pliegue el panel trasero de la cesta del cochecito hacia adelante.

- 1 - Para acoplar el asiento de cochecito, alinee los laterales del asiento de cochecito con los soportes del asiento. **(45)**

Coloque el asiento de cochecito directamente hacia abajo hasta que quede sujeto en su posición mediante el sonido de un clic. Cuando escuche un “clic”, significará que el asiento de cochecito está montado. **(45)**

- ! Quite el asiento de cochecito del soporte inferior antes de plegar el cochecito.
- ! Utilice los adaptadores en poste para asiento y capazo en el soporte superior cuando utilice los soportes superior e inferior simultáneamente y ambos orientados hacia adelante.

### Capazo del cochecito DEMI grow

Para utilizar y montar el capazo, consulte el manual de instrucciones del capazo.

Cuando instale el capazo en el soporte inferior, pliegue la capota.

- 1 - Para acoplar el capazo, alinee los laterales del capazo con los soportes del asiento. **(46)**

Coloque el capazo directamente hacia abajo hasta que quede sujeto en su posición mediante el sonido de un clic. Cuando escuche un “clic”, significará que el capazo está montado. **(46)**

- 2 - El capazo se puede instalar orientado hacia adelante o hacia atrás en el soporte superior. **(47)**

- 3 - Para quitar el capazo, pulse los botones de desbloqueo del capazo **(48)**-1 y levántelo **(48)**-2.

- ! Quite el capazo antes de plegar el cochecito.

### Uso de la cesta extraíble

Antes de montar la cesta extraíble, pliegue el panel trasero de la cesta hacia adelante.

- 1 - Gire hacia abajo los soportes ubicados a ambos lados de la cesta extraíble e introdúzcala en los soportes. **(49)**

- ! Tenga cuidado de montar la cesta extraíble en la dirección correcta. Cuando escuche un clic, significará que la cesta extraíble está completamente montada. **(49)**

- 2 - Para quitar la cesta extraíble, levántela. **(50)**

## Capota impermeable del cochecito DEMI grow

Utilice únicamente la capota impermeable de cochecito sobre el asiento de cochecito en el soporte superior. (51)

- 1 - Para montar la capota impermeable, colóquela sobre el asiento del cochecito.  
**!** Asegúrese de que haya **SIEMPRE** una ventilación adecuada cuando esté montada la capota impermeable sobre el producto.

Asegúrese **SIEMPRE** de que la capota impermeable está limpia y seca antes de plegarla.

**NO** pliegue el cochecito si ha montado la capota impermeable.

**NO** coloque al niño en el cochecito con la capota impermeable montada si la temperatura es cálida.

## Cubrepíés del cochecito DEMI grow

- 1 - Para montar el cubrepíés fácilmente, quite el reposabrazos, desabroche el arnés y quite el acolchado del arnés para los hombros, el acolchado de la pelvis y el reposacabezas. (52)
- 2 - Antes de colocar el cubrepíés en el asiento de cochecito, abra la cremallera y la cubierta delantera del cubrepíés. (53)
- 3 - Coloque el cubrepíés en el asiento de cochecito y pase las hebillas y la cincha del arnés para los hombros por las ranuras del cubrepíés. (54) Vuelva a colocar el acolchado del arnés para los hombros, el acolchado de la pelvis y el reposacabezas; y acople el reposabrazos.
- 4 - Cierre la cremallera de la cubierta delantera del cubrepíés. (55)
- 5 - Pliegue la solapa del cubrepíés sobre el reposabrazos del cochecito. (56)

## Dispositivo de sujeción para niños

Para utilizar y montar el dispositivo de sujeción para niños, consulte el manual de instrucciones del dispositivo de sujeción para niños.

Cuando instale el dispositivo de sujeción para niños en el soporte inferior, pliegue la capota.

- 1 - Para montar los adaptadores de tubo de asiento de bebé para coche, colóquelos en los soportes del asiento. Cuando escuche un “clic”, significará que los adaptadores de tubo de asiento de bebé para coche están montados. (57)
- 2 - Para montar el dispositivo de sujeción para niños, colóquelo sobre los adaptadores de tubo de asiento de bebé para coche. Cuando escuche un “clic”, significará que el dispositivo de sujeción para niños está completamente montado. (58)
- 3 - Para quitar el dispositivo de sujeción para niños, pulse los botones de desbloqueo del cochecito ubicados en el dispositivo de sujeción para niños (59)-1 y levántelo (59)-2.
- 4 - Para quitar los adaptadores de tubo de asiento de bebé para coche, pulse los botones de desbloqueo de los adaptadores (60)-1 y levántelos (60)-2.
- 5 - Los adaptadores de tubo de asiento de bebé para coche se pueden montar con la orientación hacia atrás (61)-1 o hacia adelante (61)-2 en el soporte superior.  
**!** Quite el dispositivo de sujeción para niños antes de plegar el producto.

## Adaptadores en poste para asiento y capazo

- ! Solamente se pueden montar los adaptadores en poste para asiento y capazo en el soporte superior.
- ! Utilice los adaptadores en poste para asiento y capazo en el soporte superior cuando utilice los soportes superior e inferior simultáneamente y ambos orientados hacia adelante.
- 1 - Para acoplar los adaptadores en poste para asiento y capazo, colóquelos en los soportes como se muestra en **(62)**. Un sonido de “clic” significa que los adaptadores en poste para asiento y capazo están bloqueados. **(63)**
  - ! El uso correcto de los adaptadores en poste para asiento y capazo se muestra en **(64)**.
- 2 - Para acoplar el capazo en los adaptadores en poste para asiento y capazo, coloque dicho capazo en los mencionados adaptadores. Un sonido de “clic” significa que el capazo está bloqueado. **(65)**
  - ! No utilice la cuna portátil en el asiento superior cuando el respaldo del asiento inferior esté en posición vertical.
- 3 - Para acoplar el asiento en los adaptadores en poste para asiento y capazo, coloque dicho asiento en los mencionados adaptadores. Un sonido de “clic” significa que el asiento bloqueado. **(66)**
- 4 - Para quitar el capazo, presione los botones de desbloqueo del mismo **(48)-1** y levántelo **(48)-2**.
- 5 - Para quitar el asiento, apriete los botones de desbloqueo del asiento **(16)-1** y levante dicho asiento **(16)-2**.
- 6 - Para quitar los adaptadores en poste para asiento y capazo, levante dichos adaptadores hacia arriba **(67)-2** mientras tira de los botones de desbloqueo. **(67)-1**
  - ! Quite el asiento y el capazo antes de plegar.

## Limpieza y mantenimiento

Limpie la estructura, las piezas de plástico y el tejido con un paño húmedo, pero no utilice productos abrasivos ni lejía. No utilice lubricantes con silicona ya que atraerán la suciedad. No guarde su cochecito en lugares húmedos.

Limpie las ruedas del cochecito periódicamente con agua y elimine la suciedad.

Para garantizar un uso duradero, limpie este producto con un paño suave y absorbente después de usarlo en un día lluvioso.

Consulte las etiquetas de cuidados cosidas al acolchado para conocer las instrucciones de lavado y secado.

Es normal que la tela se decolore debido a la luz del sol, y se desgaste y se rompa después de un largo periodo de uso, incluso si se utiliza de una forma normal.

Por razones de seguridad, utilice únicamente piezas originales de Nuna.

Compruebe periódicamente que todo funciona correctamente. Si falta alguna pieza o si alguna de ellas está rota o desgastada, deje de utilizar este producto.

©2019 NUNA International B.V.

Nuna y todos los logotipos asociados son marcas comerciales.



**IMPORTANTE!  
LEIA ATENTAMENTE  
E GARDE PARA  
FUTURA REFERÊNCIA**

## Índice

### Informações sobre o produto

Registo do produto	158
Garantia	158
Contactos	158

### Requisitos de utilização

### Avisos

### Lista de componentes

### Montagem do produto

### Utilização do produto

### Opções de utilização

### Acessórios

Cadeira do carrinho de bebé DEMI grow	176
Alcofa DEMI grow	176
Cesto amovível do carrinho de bebé DEMI grow	177
Capa impermeável da cadeira do carrinho de bebé DEMI grow	177
Cobre-pés da cadeira do carrinho de bebé DEMI grow	178
Adaptadores para cadeira auto	178
Adaptadores para cadeira e alcofa	179

### Limpeza e manutenção

## Informações sobre o produto

Número de modelo: \_\_\_\_\_

Fabricado em (data): \_\_\_\_\_

### Registo do produto

Preencha as informações acima. O número de modelo e a data de fabrico estão localizados numa etiqueta na parte inferior da estrutura do carrinho de bebé.

**Para registar o seu produto, consulte:**

[www.nunababy.com/register-gear](http://www.nunababy.com/register-gear)

### Garantia

Concebemos propositadamente os nossos produtos de alta qualidade para que possam acompanhar o crescimento do seu filho e da sua família. Porque confiamos nos nossos produtos, os nossos equipamentos estão cobertos por uma garantia personalizada por produto, a partir do dia da respetiva compra. Quando nos contactar, tenha disponíveis o comprovativo de compra, o número do modelo e a data de fabrico.

**Para obter informações sobre a garantia, consulte:**

[www.nunababy.com/warranty](http://www.nunababy.com/warranty)

### Contactos

Para peças de substituição, assistência técnica ou outras questões sobre a garantia, contacte o nosso departamento de apoio ao cliente.

[info@nunababy.com](mailto:info@nunababy.com)

[www.nunababy.com](http://www.nunababy.com)

## Requisitos de utilização

Esta cadeira do carrinho de bebé é adequada para crianças que cumpram os seguintes requisitos:

**Criança:** pelo menos 6 meses

**Peso:** no máximo 15 kg

**Altura:** 114,3 cm

Não é indicado para crianças com menos de 6 meses.

Sempre que utilizar a estrutura do carrinho de bebé com a alcofa ou o transportador, consulte os requisitos de utilização dos respetivos manuais de instruções.

## AVISO

O incumprimento dos avisos e instruções pode resultar em lesões graves ou morte.

Utilize o cinto de segurança sempre que o seu filho estiver no assento.

Verifique se alcofa, o assento reversível ou o assento auto estão correctamente encaixados antes de usar o produto.

Não deixe que o seu filho brinque com este produto.

Verifique se todos os pontos de encaixe estão bem fixos antes de usar o produto.

Nunca deixe a criança abandonada.

Não é conveniente utilizar este produto aquando da realização de patinagem ou corrida.

Para evitar ferimento assegure-se que o seu filho está afastado, do produto, enquanto o abre e fecha.

Este assento não é adequado para um bebé com idade inferior a 6 meses.

Não utilize acessórios que não sejam aprovados pelo fabricante. Utilize apenas peças fornecidas e recomendadas pelo fabricante/distribuidor.

A montagem deverá ser efetuada por adultos.

Acione **SEMPRE** o travão de estacionamento quando parar.

Os danos causados pela utilização de acessórios não fornecidos pela Nuna não estão cobertos pela garantia.

Qualquer carga colocada sobre a pega e/ou na traseira do apoio das costas e/ou nas laterais do veículo podem afetar a estabilidade do mesmo.

Assegure-se de que o carrinho de bebé está completamente erguido e bloqueado antes de permitir que a criança se aproxime do mesmo.

**NÃO** utilize o carrinho de bebé para transportar outras crianças, mercadorias ou acessórios, exceto nas situações permitidas neste manual. Se o fizer, o carrinho de bebé pode ficar instável.

**NÃO** deixe o carrinho de bebé exposto nas proximidades de uma fonte de calor intenso, isto é, um radiador ou chamas vivas.

**NÃO** coloque nenhum artigo sobre a cobertura.

**NÃO** armazene o carrinho de bebé num local húmido. Permita sempre que o tecido seque naturalmente afastado de fontes de calor direto.

**NÃO** utilize o cesto de armazenamento como transportador.

**NÃO** utilize o carrinho de bebé se alguma peça estiver danificada ou em falta.

Cada cadeira do carrinho de bebé destina-se a ser utilizada por crianças com, pelo menos, 6 meses e no máximo 15 kg, ou com uma altura de 114,3 cm.

Para as cadeiras utilizadas em conjunto com a estrutura do carrinho de bebé, o carrinho não substitui um berço ou cama. Se a criança precisar de dormir, coloque-a na alcofa, berço ou cama apropriados.

Mantenha as peças pequenas fora do alcance das crianças, pois representam um risco de asfixia.

Seja cuidadoso ao atravessar pisos irregulares e subir passeios. Impactos repetidos podem causar danos no carrinho de bebê.

**NUNCA** deixe a criança colocar-se de pé sobre o carrinho de bebê.

**NUNCA** transporte mais do que uma criança por cadeira.

**NUNCA** transporte mais do que duas crianças ao mesmo tempo no carrinho para bebê.

**NUNCA** utilize o carrinho de bebê em escadas rolantes ou convencionais. Pode perder subitamente o controlo do carrinho de bebê ou a criança pode cair.

As alças devem estar sempre corretamente fixadas e ajustadas. As alças não substituem a supervisão adequada de um adulto.

O travão de estacionamento deve ser acionado ao colocar e remover a criança.

A sobrecarga, fecho incorreto e utilização de acessórios como cadeiras para criança, ganchos para sacos, capas impermeáveis, plataformas, etc., que não sejam aprovados pela Nuna podem danificar ou tornar este carrinho de bebê inseguro.

Os pneus de borracha podem deixar marcas pretas em superfícies lisas como parquet, pavimento laminado e em linóleo.

**PERIGO DE ESTRANGULAMENTO NÃO** coloque artigos com fios à volta do pescoço da criança, pendure fios neste produto nem ate fios a brinquedos.

Para evitar o risco de asfixia, remova todos os revestimentos de plástico antes de utilizar este artigo e destrua-os ou mantenha-os fora do alcance de bebês e crianças!

Para evitar condições perigosas e instáveis, não coloque mais de 4,5 kg no cesto de armazenamento/cesto amovível.

A utilização do carrinho de bebê com mais de 34,5 kg irá provocar pressão e desgaste excessivos no carrinho de bebê. 34,5 kg = 15 kg (peso máximo da cadeira do carrinho de bebê) + 15 kg (peso máximo da cadeira do carrinho de bebê) + 4,5 kg (peso máximo do cesto de armazenamento/cesto amovível).

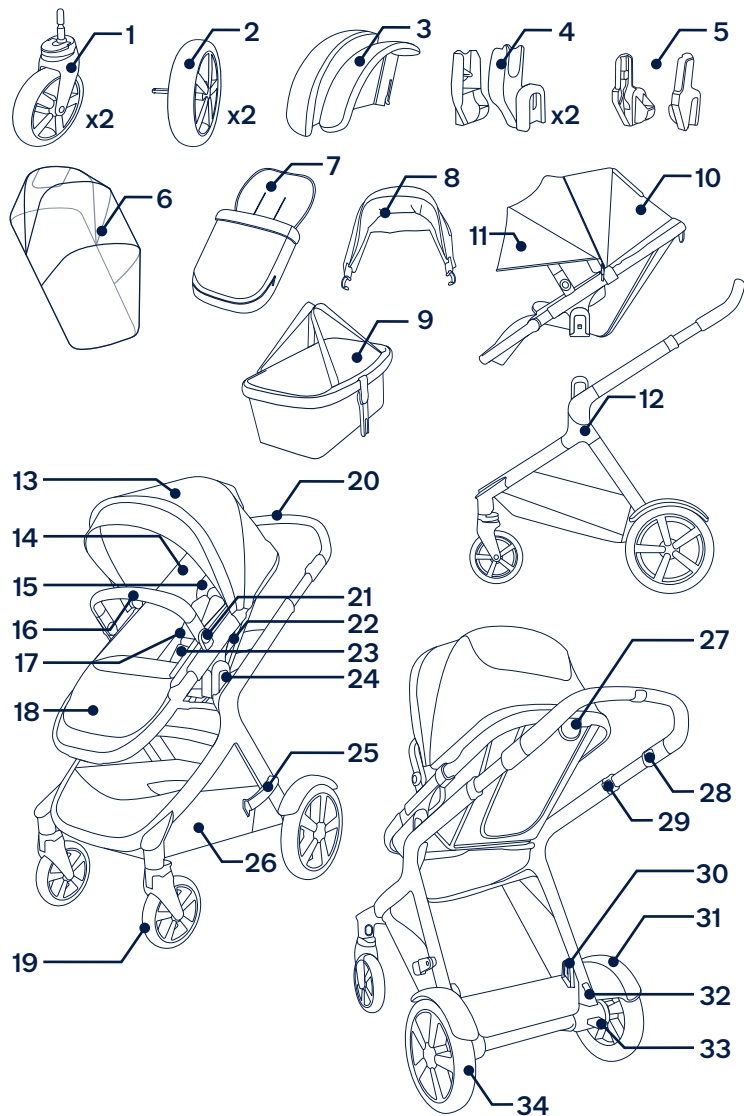
Sempre que utilizar o DEMI grow com duas crianças, assegure-se de que as mesmas estão devidamente posicionadas apenas nas zonas indicadas para sentar a criança.

# Lista de componentes

Certifique-se de que todas as peças estão disponíveis antes da montagem. Se alguma peça estiver em falta, contacte o revendedor local. Não são necessárias ferramentas para a montagem.

! **PERIGO DE ASFIXIA:** Remova e descarte de imediato as tampas de proteção de cada roda e do eixo do cubo da roda.

- |    |                                    |    |  |
|----|------------------------------------|----|--|
| 1  | Roda dianteira (x2)                | 19 | Roda dianteira                                       |
| 2  | Roda traseira (x2)                 | 20 | Pega do carrinho de bebé                             |
| 3  | Guarda-lamas traseiro              | 21 | Botão de ajuste da barra de proteção frontal         |
| 4  | Adaptadores para cadeira auto (x2) | 22 | Botão de desbloqueio da cadeira                      |
| 5  | Adaptadores para cadeira e alcofa  | 23 | Fivela e capa das virilhas                           |
| 6  | Capa impermeável                   | 24 | Suporte da cadeira superior                          |
| 7  | Cobre-pés                          | 25 | Trinco de armazenamento                              |
| 8  | Cobertura                          | 26 | Cesto de armazenamento                               |
| 9  | Cesto amovível                     | 27 | Botão de ajuste de reclinção                         |
| 10 | Cadeira do carrinho de bebé        | 28 | Botão de ajuste da pega                              |
| 11 | Dream Drape™                       | 29 | Botão de fecho                                       |
| 12 | Estrutura do carrinho de bebé      | 30 | Suporte da cadeira inferior                          |
| 13 | Cobertura                          | 31 | Guarda-lamas traseiro                                |
| 14 | Capa de tecido acolchoado          | 32 | Alavanca de ajuste da suspensão dupla personalizável |
| 15 | Apoio de cabeça                    | 33 | Alavanca do travão                                   |
| 16 | Barra de proteção frontal          | 34 | Roda traseira  |
| 17 | Almofadas das alças                |    |  |
| 18 | Apoio da perna                     |    |  |



# Montagem do produto

## Abrir carrinho de bebê

- 1 - Separe o trinco de armazenamento do suporte de armazenamento. (1)
- 2 - Em seguida, rode a pega do carrinho de bebê para cima. (2)
- 3 - O som de um clique indica que a estrutura do carrinho de bebê está corretamente aberta. (3)

Verifique se a estrutura do carrinho de bebê está completamente aberta e bloqueada antes de continuar.

## Guarda-lamas traseiros

Encaixe os guarda-lamas traseiros nos modos gêmeo e duplo.

- 1 - Introduza o guarda-lamas traseiro na perna traseira. O som de um clique indica que o guarda-lamas está totalmente montado. (4)

Verifique se o guarda-lamas está devidamente encaixado puxando-a para cima.  
Repita no lado oposto.

## Rodas traseiras

- 1 - Introduza a roda traseira na perna traseira. O som de um clique indica que a roda traseira está totalmente montada. (5)  
Verifique se a roda está devidamente encaixada puxando-a para fora.  
Repita no lado oposto.
- 2 - Para remover a roda traseira, pressione o botão de desbloqueio (6)-1 e desencaixe a roda traseira da perna traseira (6)-2.

## Rodas dianteiras

- 1 - Introduza a roda dianteira na perna dianteira. O som de um clique indica que a roda dianteira está totalmente montada. (7)  
Verifique se a roda está devidamente encaixada puxando-a para fora.  
Repita no lado oposto.
- 2 - Para remover a roda dianteira, pressione o botão de desbloqueio (8)-1 e desencaixe a roda dianteira da perna dianteira (8)-2.

## Cobertura

- 1 - Prenda o suporte da cobertura em ambos os lados da cadeira do carrinho de bebê. (9)
- 2 - Una a cobertura à cadeira do carrinho de bebê correndo o fecho. (10)
- 3 - Para remover a cobertura, abra os fechos e, em seguida, remova os suportes da cobertura. (11)

## Barra de proteção frontal

- 1 - Alinhe as extremidades da barra de proteção frontal com os suportes da barra de proteção frontal e introduza até ouvir um clique e ficar no lugar. O som de um clique indica que a barra de proteção frontal está totalmente montada. (12)
- 2 - Para remover a barra de proteção frontal, pressione os botões de desbloqueio da barra de proteção frontal (13)-1 localizados sob a capa de tecido acolchoado do assento e remova a barra de proteção frontal. (13)-2
- 3 - Para uma configuração mais compacta, pressione os botões de ajuste da barra de proteção frontal (14)-1 e rode a barra de proteção frontal para baixo (14)-2 até ouvir um clique e ficar no lugar.

- ! Utilize apenas a posição baixa/de armazenamento para dobrar. **NUNCA** utilize esta posição com a criança no carrinho de bebê.

## Cadeira do carrinho de bebê

A cadeira do carrinho de bebê pode ser colocada virada para trás ou para a frente.

- 1 - Alinhe as laterais da cadeira do carrinho de bebê com os suportes da cadeira. Coloque a cadeira do carrinho de bebê diretamente para baixo até ouvir um clique e ficar no lugar. O som de um **clique** indica que a cadeira do carrinho de bebê está totalmente montada. **(15)**
- 2 - Para remover a cadeira do carrinho de bebê, pressione os botões de desbloqueio da cadeira **(16)-1** e levante a cadeira do carrinho de bebê **(16)-2**.

### Verificar a montagem

- A estrutura do carrinho de bebê está aberta e bloqueada
- Os guarda-lamas traseiros estão devidamente encaixados
- As rodas traseiras estão devidamente encaixadas
- As rodas dianteiras estão devidamente encaixadas
- A cadeira do carrinho de bebê está devidamente encaixada
- O suporte da cobertura está encaixado na estrutura do carrinho de bebê e a cobertura está presa à capa de tecido acolchoado da cadeira

## Utilização do produto

### Prender a criança

- 1 - Pressione o botão central na fivela para soltar o bloqueio das fivelas, remova os ganchos e coloque a criança na cadeira do carrinho de bebê. **(17)**
- 2 - Una a fivela dos ombros e a fivela da cintura. **(18)**
- 3 - Prenda a fivela dos ombros e a fivela da cintura no bloqueio das fivelas e repita no lado oposto. **(19)**
- 4 - Ajuste as alças confortavelmente ao corpo da criança deslizando as fivelas de ajuste inferiores (localizadas sob as capas das alças) **(20)-1**. Em seguida, retire as correias de ajuste da cintura. **(20)-2**

### Posição das alças

- 1 - As fivelas superiores das alças podem mover-se para cima e para baixo para um maior ajuste. **(21)**

- ! Para evitar lesões graves como consequência de quedas ou deslizamentos, prenda sempre a criança com as alças.

Certifique-se de que as alças estão devidamente ajustadas e a criança segura. O espaço entre a criança e as alças deve ter a espessura aproximada de um dedo.

**NÃO** cruze as correias dos ombros. Ao fazê-lo, estará a pressionar o pescoço da criança.

### Remoção das almofadas das alças

Desbloqueie a fivela para remover as almofadas das alças.

- 1 - Deslize a almofada da alça para baixo e retire da correia da alça com fivela. **(22)**

Para voltar a colocar a almofada das alças, solte as molas e introduza a fivela da alça através do gancho interior.

## Cobertura

- 1 - Para abrir a cobertura, puxe-a para a frente da cadeira e, empurre-a para trás para dobrar. **(23)**
- 2 - Abra o fecho na cobertura para utilizar o dream drape™. **(24)**
- 3 - Puxe o dream drape™ para baixo para ter mais sombra. **(25)**
- 4 - Para maior ventilação, destape a janela da cobertura. **(26)**

## Pega

A pega possui 4 posições.

- 1 - Para ajustar a altura da pega, pressione o botão de ajuste **(27)-1** e puxe a pega para cima ou para baixo **(27)-2**.

## Apoio da perna

O apoio da perna apresenta 2 posições de utilização.

- 1 - Levante o apoio da perna para subi-lo. Para baixar o apoio da perna, pressione o botão de ajuste no centro do apoio da perna **(28)-1**, e pressione para baixo **(28)-2**.

## Reclinar

- 1 - O apoio das costas apresenta 3 posições de reclinção. **(29)**
- 2 - Para subir ou descer o apoio das costas, pressione o botão de ajuste de reclinção e puxe a cadeira para cima ou para baixo. **(30)**

## Capa de tecido acolchoado

Utilize a capa de tecido acolchoado de inverno da cadeira para proporcionar maior conforto. A capa de tecido acolchoado de inverno pode ser removida durante o verão para sentar a criança sobre uma zona de malha para uma melhor ventilação.

- 1 - Para remover a capa de tecido acolchoado, solte as alças, abra o fecho à volta da capa de tecido acolchoado e passe as alças pelas ranhuras da capa de tecido acolchoado. **(31)**
- ! **NÃO** remova o tubo do apoio das costas.

## Travão

- 1 - Para bloquear as rodas traseiras, pise a alavanca do travão. **(32)**
  - 2 - Para desbloquear as rodas traseiras, levante a alavanca do travão. **(33)**
- ! Acione o travão sempre que parar o carrinho do bebé. Empurre ligeiramente o carrinho de bebé para garantir que o travão está acionado.

## Dual Suspension™ personalizada

O carrinho de bebé apresenta dois modos de suspensão. Certifique-se de que não coloca peso sobre o carrinho de bebé quando ajusta a suspensão traseira e de que ambas as alavancas estão na mesma posição.

- 1 - Vire as alavancas de ajuste para cima **(34)-1** quando estiver em piso irregular, para uma suspensão mais suave, e vire as alavancas de ajuste para baixo **(34)-2** quando estiver em superfícies mais uniformes, para uma suspensão mais rígida.

Recomenda-se que vire as alavancas de ajuste para baixo ao utilizar nos modos duplo ou gémeo.



## Bloqueios giratórios dianteiros

Recomenda-se a utilização dos bloqueios giratórios dianteiros em superfícies irregulares.

- 1 - Puxe o bloqueio giratório dianteiro para bloquear as rodas dianteiras viradas para a frente. (35)
- 2 - Pressione o bloqueio giratório para desbloquear. (36)

## Dobrar

Antes de dobrar o carrinho de bebé, ajuste a pega para a 2.<sup>a</sup> ou 3.<sup>a</sup> posição mais elevada e certifique-se de que os bloqueios giratórios dianteiros estão desbloqueados.

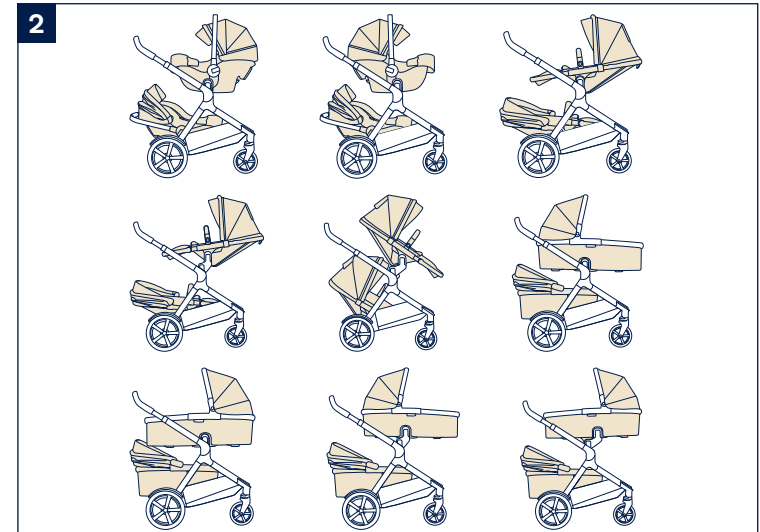
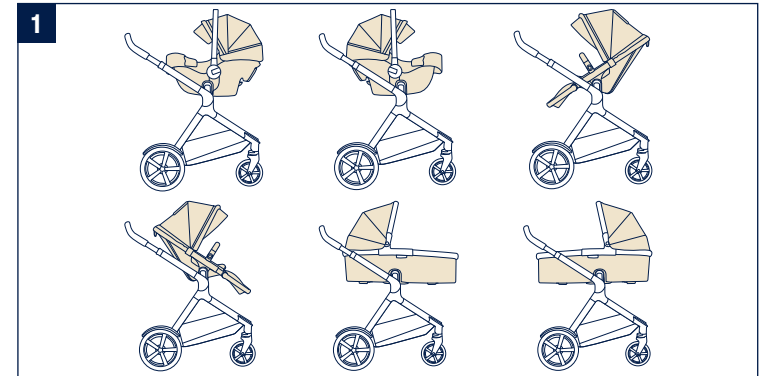
O carrinho de bebé pode ser dobrado com a cadeira do carrinho de bebé virada para a frente ou sem a cadeira do carrinho de bebé.

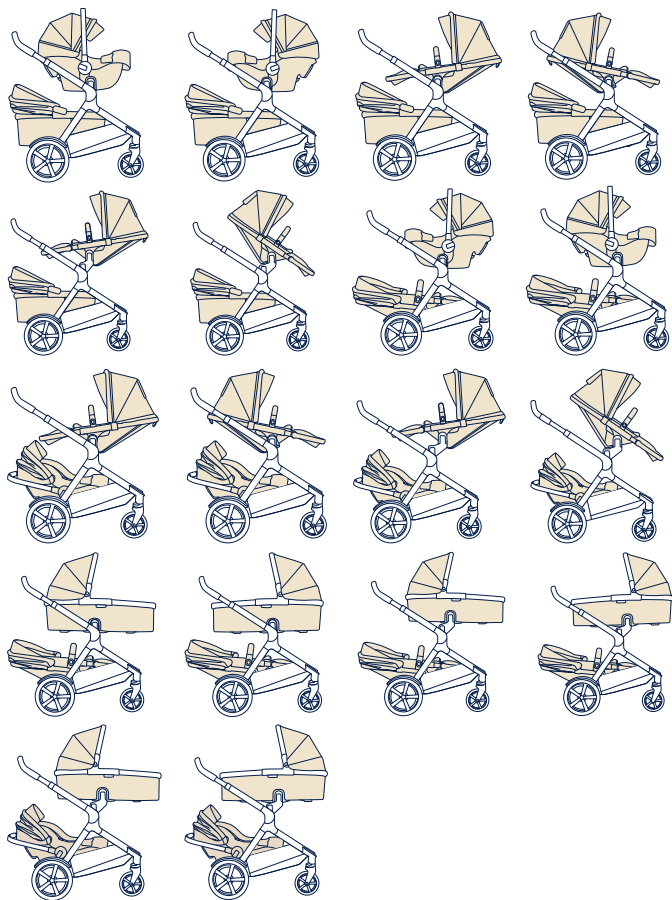
Se dobrar com a cadeira, coloque-a na posição mais reclinada para uma configuração mais compacta.

- 1 - Dobre a cobertura (37)-1 e rode o trinco de armazenamento para fora (37)-2.
- 2 - Levante os dois botões de fecho. (38)
- 3 - Rode a pega para baixo e certifique-se de que o trinco está fechado na estrutura do carrinho de bebé. (39)
- 4 - Dobre o apoio da perna para baixo para uma configuração mais compacta. (40)

## Opções de utilização

A estrutura da cadeira do carrinho de bebé DEMI grow pode ser utilizada com o transportador da série PIPA (utilizando os adaptadores incluídos), alfofa DEMI grow e cadeira do carrinho de bebé DEMI nas seguintes combinações. Individual (1), gêmeo (2), duplo (3)





## Utilização das opções de utilização

Ao utilizar a estrutura do carrinho de bebê com a cadeira do carrinho de bebê, alfofa ou transportador, dobre a cobertura quando a cadeira do carrinho de bebê, alfofa ou transportador estiverem instalados no suporte inferior.

- ! Nem todos os acessórios estão incluídos em alguns modelos e nem todos os modos são permitidos.
- 1 - NÃO** utilize a cadeira do carrinho de bebê **(41)-1**, alfofa **(41)-2** ou transportador **(41)-3** virados para a frente no suporte inferior.
- 2 - NÃO** ajuste o apoio das costas da cadeira do carrinho de bebê para cima quando esta estiver instalada no suporte inferior e a alfofa no suporte superior. **(42)**
- 3 - NÃO** instale o transportador no suporte inferior com a alfofa no suporte superior virada para trás sem utilizar os adaptadores para cadeira e alfofa. **(43)**
- ! A alfofa pode ser instalada no suporte superior com os adaptadores para cadeira e alfofa quando o transportador estiver instalado no suporte inferior.
- 4 - NÃO** ajuste a pega do transportador para a posição vertical quando instalar o mesmo no suporte inferior. **(44)**
- ! Utilize os adaptadores para cadeira e alfofa (Lista de componentes #5) no suporte superior quando utilizar a cadeira nos suportes superior e inferior simultaneamente e ambos virados para a frente.

## Acessórios

! Alguns modelos não incluem todos os acessórios estão incluídos.

### Cadeira do carrinho de bebê DEMI grow

Ao instalar a cadeira do carrinho de bebê no suporte inferior, dobre a cobertura, ajuste o apoio da perna para a posição mais elevada, e dobre o painel traseiro do cesto para a frente.

**1** - Para encaixar a cadeira do carrinho de bebê, alinhe as laterais da mesma com os suportes da cadeira. **(45)**

Coloque a cadeira do carrinho de bebê diretamente para baixo até ouvir um clique e ficar no lugar. O som de um **clique** indica que a cadeira do carrinho de bebê está encaixada. **(45)**

! Remova a cadeira do carrinho de bebê do suporte inferior antes de dobrar o carrinho de bebê.

! Utilize os adaptadores para cadeira e alcofa no suporte superior quando utilizar os suportes superior e inferior simultaneamente e ambos virados para a frente.

### Alcofa DEMI grow

Para a montagem e utilização da alcofa, consulte o manual de instruções da alcofa.

Dobre a cobertura ao instalar a alcofa no suporte inferior.

**1** - Para encaixar a alcofa, alinhe as laterais da mesma com os suportes da cadeira. **(46)**

Coloque a alcofa diretamente para baixo até ouvir um clique e ficar no lugar.  
O “clique” indica que a alcofa está encaixada. **(46)**

**2** - A alcofa pode ser instalada no suporte superior virada para trás ou para a frente. **(47)**

**3** - Para remover a alcofa, pressione os botões de desbloqueio da mesma **(48)**-1 e levante-a **(48)**-2.

! Remova a alcofa antes de dobrar o carrinho de bebê.

### Cesto amovível do carrinho de bebê DEMI grow

Antes de instalar o cesto amovível, dobre o painel traseiro do cesto para a frente.

**1** - Rode os suportes em ambos os lados do cesto amovível para baixo e introduza-o nos suportes. **(49)**

! Preste atenção à direção do cesto amovível durante a instalação, o som de um clique indica que o cesto amovível está devidamente encaixado. **(49)**

**2** - Levante o cesto amovível para o remover. **(50)**

### Capa impermeável da cadeira do carrinho de bebê DEMI grow

Utilize a capa impermeável do carrinho de bebê na cadeira do carrinho de bebê apenas no suporte superior. **(51)**

**1** - Para instalar a capa impermeável, coloque-a sobre a cadeira do carrinho de bebê.

! Verifique **SEMPRE** a ventilação quando a capa impermeável estiver instalada no produto.

Verifique **SEMPRE** se a capa impermeável foi limpa e seca antes de a dobrar.

**NÃO** dobre o carrinho de bebê com a capa impermeável instalada.

**NÃO** coloque a criança no carrinho de bebê com a capa impermeável instalada durante o tempo quente.

## Cobre-pés da cadeira do carrinho de bebé DEMI grow

- 1 - Para instalar o cobre-pés mais facilmente, remova a barra de proteção frontal, solte as alças e remova as almofadas das alças, as almofadas das virilhas e o apoio de cabeça. (52)
- 2 - Antes de colocar o cobre-pés na cadeira do carrinho de bebé, corra o fecho e abra a capa frontal do cobre-pés. (53)
- 3 - Coloque o cobre-pés na cadeira do carrinho de bebé e passe a correia e as fivelas das alças através das ranhuras no cobre-pés. (54) Volte a colocar as almofadas das alças, almofadas das virilhas e o apoio de cabeça e encaixe a barra de proteção frontal.
- 4 - Prenda a capa frontal do cobre-pés, correndo o fecho. (55)
- 5 - Dobre a aba do cobre-pés por cima da barra de proteção frontal. (56)

## Adaptadores para cadeira auto

Para montagem e utilização no transportador, consulte o manual de instruções do transportador.

Dobre a cobertura ao instalar o transportador no suporte inferior.

- 1 - Para encaixar os adaptadores para cadeira auto, coloque-os nos suportes da cadeira. O som de um **clique** indica que os adaptadores para cadeira auto estão encaixados. (57)
- 2 - Para encaixar o transportador, coloque-o sobre os adaptadores para cadeira auto. O “**clique**” indica que o transportador está encaixado. (58)
- 3 - Para remover o transportador, pressione os botões de desbloqueio do mesmo (59)-1 e levante-o(59)-2.

- 4 - Para remover os adaptadores para cadeira auto, pressione os botões de desbloqueio dos adaptadores (60)-1 e levante-os (60)-2.
  - 5 - Os adaptadores para cadeira auto podem ser encaixados virados para trás (61)-1 ou para a frente (61)-2 no suporte superior.
- ! Remova o transportador antes de dobrar.

## Adaptadores para cadeira e alcofa

- ! Os adaptadores para cadeira e alcofa só podem ser encaixados no suporte superior.
- ! Utilize os adaptadores para cadeira e alcofa no suporte superior quando utilizar os suportes superior e inferior simultaneamente e ambos virados para a frente.
- 1 - Para encaixar os adaptadores para cadeira e alcofa, coloque-os sobre os suportes, tal como ilustrado (62). O som de um clique indica que os adaptadores para cadeira e alcofa estão bloqueados. (63)
- ! A utilização correta dos adaptadores para cadeira e alcofa está demonstrada em (64).
- 2 - Para encaixar a alcofa nos adaptadores para cadeira e alcofa, coloque a alcofa sobre os adaptadores para cadeira e alcofa. O som de um **clique** indica que a alcofa está bloqueada. (65)
- ! Não utilize a alcofa no suporte superior com o encosto da cadeira inferior em posição vertical.

- 3 - Para encaixar a cadeira nos adaptadores para cadeira e alcofa, coloque a cadeira sobre os adaptadores para cadeira e alcofa. O som de um “clique” indica que a cadeira está bloqueada. **(66)**
  - 4 - Para remover a alcofa, pressione os botões de desbloqueio da mesma **(48)-1** e levante-a **(48)-2**.
  - 5 - Para remover a cadeira, pressione os botões de desbloqueio da mesma **(16)-1** e levante-a **(16)-2**.
  - 6 - Para remover os adaptadores para cadeira e alcofa, puxe os adaptadores para cadeira e alcofa **para cima (67)-2** enquanto pressiona os botões de desbloqueio. **(67)-1**
- ! Remova a cadeira e a alcofa antes de dobrar.

## Limpeza e manutenção

Limpe a estrutura, peças de plástico e o tecido com um pano humedecido sem utilizar produtos abrasivos ou lixívia. Não utilize lubrificantes de silicone, pois os mesmos atraem sujidade e gordura. Não armazene o carrinho de bebé num local húmido.

Limpe as rodas do carrinho de bebé regularmente com água e remova qualquer sujidade.

Para garantir uma utilização duradoura, limpe este produto com um pano macio e absorvente após a utilização em tempo chuvoso.

Consulte as instruções de lavagem e secagem nas etiquetas afixadas na capa de tecido.

É normal que o tecido exiba cores desvanecidas devido à luz solar e que apresente desgaste após um longo período de utilização, mesmo quando utilizado de forma normal.

Por motivos de segurança, utilize apenas peças originais da Nuna.

Verifique regularmente se tudo funciona corretamente. Se alguma peça estiver rasgada, partida ou em falta, interrompa a utilização deste produto.

**WAŻNE!**  
**DOKŁADNIE PRZECZYTAJ**  
**I ZACHOWAJ DO**  
**PRZYSZŁEGO**  
**WYKORZYSTANIA**

## Spis treści

### Informacje o produkcie

Rejestracja produktu	184
Gwarancja	184
Kontakt	184

<b>Przeznaczenie</b>	185
----------------------	-----

<b>Ostrzeżenia</b>	186
--------------------	-----

<b>Lista części</b>	190
---------------------	-----

<b>Składanie produktu</b>	192
---------------------------	-----

<b>Obsługa produktu</b>	195
-------------------------	-----

<b>Opcje siedziska</b>	201
------------------------	-----

<b>Akcesoria</b>	
------------------	--

Siedzisko dodatkowe	202
---------------------	-----

Gondola	203
---------	-----

Kosz na zakupy	203
----------------	-----

Ostona przeciwdeszczowa	204
-------------------------	-----

Śpiworek	204
----------	-----

Adaptory do fotelika	205
----------------------	-----

Adaptory do gondoli i siedziska	205
---------------------------------	-----

<b>Czyszczenie i konserwacja</b>	207
----------------------------------	-----

## Informacje o produkcie

Numer modelu: \_\_\_\_\_

Data produkcji: \_\_\_\_\_

### Rejestracja produktu

Prosimy o uzupełnienie powyższych informacji. Numer modelu oraz data produkcji znajdują się na naklejce pod ramą wózka.

**Aby zarejestrować swój produkt odwiedź stronę internetową:**

<https://www.nunababy.com/register-gear>

### Gwarancja

Nasze wysokiej jakości produkty zaprojektowaliśmy tak, aby mogły rosnąć razem z Twoim dzieckiem jak również z całą rodziną. Ponieważ jesteśmy przekonani o jakości naszych produktów, nasz produkt objęty jest gwarancją konsumencką już od dnia jego zakupu. Zachowaj dowód zakupu, numer modelu oraz datę produkcji podczas kontaktu w sprawie gwarancji.

**W celu uzyskania informacji na temat gwarancji, odwiedź naszą stronę internetową:**

[www.nunababy.com/warranty](http://www.nunababy.com/warranty)

### Kontakt

W celu uzyskania informacji na temat części zamiennych, serwisu lub jakichkolwiek dodatkowych pytań należy skontaktować się z naszym działem obsługi klienta

[info@nunababy.com](mailto:info@nunababy.com)

[www.nunababy.com](http://www.nunababy.com)

**W Polsce:**

[serwis@akpol.com.pl](mailto:serwis@akpol.com.pl)

[www.nunababy.com](http://www.nunababy.com)

## Przeznaczenie i wymiary dziecka

Ten wózek przeznaczony jest dla dzieci, które spełniają poniższe wymagania:

**Wiek:** od 6 miesięcy

**Waga:** do 15 kg (33lb) maksymalnie

**Wzrost:** do 114,3 cm (45 in.)

Produkt nie jest przeznaczony dla dzieci poniżej 6 miesiąca życia.

Kiedy używasz wózka z gondolą lub fotelikiem dla niemowlęcia zapoznaj się z wymiarami dziecka, dla którego przeznaczony jest dany produkt, zawartymi w instrukcjach obsługi tych produktów.

# ⚠️ OSTRZEŻENIE

Niestosowanie się do tych ostrzeżeń i instrukcji, może spowodować poważne obrażenia lub śmierć.

Zawsze używaj systemu zapieć.

Sprawdź, czy urządzenia mocujące gondolę lub siedzisko lub fotelik samochodowy są prawidłowo załączone przed użyciem.

Nie pozwalaj dziecku bawić się tym wyrobem.

Upewnij się przed użyciem, czy wszystkie urządzenia blokujące są włączone.

Nigdy nie zostawiaj dziecka bez opieki.

Niniejszy wyrób nie jest odpowiedni do biegania ani jazdy na rolkach.

Aby uniknąć obrażeń, upewnij się, czy dziecko jest odsunięte kiedy rozkłada się lub składa niniejszy wyrób.

To siedzisko nie jest odpowiednie dla dzieci w wieku poniżej 6. miesiąca życia.

Nie należy używać akcesoriów niezatwierdzonych przez producenta. Używać należy wyłącznie części zamiennych dostarczonych lub zalecanych przez producenta/dystrybutora.

Wymagany jest montaż przez osobę dorosłą.

**ZAWSZE**, kiedy wózek stoi hamulec powinien być zablokowany.

Wszelkie uszkodzenia spowodowane zastosowaniem akcesoriów nie dostarczanych przez Nuna nie będą objęte gwarancją.

Każdy ładunek przymocowany do uchwytu i/lub z tyłu oparcia i/lub na bokach wózka będzie wpływać na stabilność wózka.

Przed dopuszczeniem dziecka w pobliże wózka należy upewnić się, że jest on całkowicie rozłożony i zatrzaśnięty w zapadkach.

**NIE WOLNO** przewozić na wózku dodatkowych dzieci, ładunków, akcesoriów, za wyjątkiem dopuszczonych w niniejszej instrukcji. Może to spowodować niestabilność wózka.

**NIE WOLNO** pozostawiać wózka w pobliżu silnych źródeł ciepła np. grzejników lub otwartego ognia.

**NIE WOLNO** kłaść żadnych przedmiotów na daszku.

**NIE WOLNO** przechowywać wózka w wilgotnym miejscu. Pozwolić zawsze na naturalne wyschnięcie tkaniny, z dala od bezpośrednich źródeł ciepła.

**NIE WOLNO** używać kosza transportowego do przewożenia dziecka.

**NIE WOLNO** korzystać wózka, kiedy którakolwiek część jest uszkodzona lub jej brakuje.

Każde siedzenie wózka dziecięcego/bliźniaczego przeznaczone jest dla dziecka w wieku co najmniej 6 miesięcy i maksymalnie do 15 kg (33 funtów) masy ciała lub o wysokości do 114,3 cm (45 cali).

W przypadku fotelików samochodowych używanych w połączeniu z podstawą, produkt ten nie zastępuje łóżeczka dzieciennego ani łóżka. Gdy dziecko chce spać, należy je umieścić w odpowiednim wózku dziecięcym, łóżeczku dziecięcym lub na łóżku.



Małe części należy trzymać z dala od dzieci ponieważ stwarzają ryzyko zadławienia.

Ostrożnie przemieszczać się po krawężnikach i na nierównym terenie. Powtarzające się uderzenia mogą spowodować uszkodzenie wózka dziecięcego.

**NIGDY** nie wolno zezwalać dziecku na stanie na wózku.

**NIGDY** nie należy przewozić więcej niż jednego dziecka na siedzeniu.

**NIGDY** nie należy przewozić jednocześnie więcej niż dwoje dzieci w wózku.

**NIGDY** nie należy używać wózka dziecięcego na schodach lub schodach ruchomych. Można nagle stracić kontrolę na wózkiem i dziecko może wypaść.

Uprząż musi zawsze być prawidłowo zamocowana i wyregulowana. Uprząż nie zastępuje prawidłowego nadzoru osoby dorosłej.

Podczas wkładania i wyjmowania dzieci należy uruchomić hamulec postojowy.

Przeciążanie, nieprawidłowe składanie oraz korzystanie z akcesoriów np. fotelików dziecięcych, zaczepów na torby, osłon przeciwdeszczowych, wózków itp., innych niż zatwierdzone przez Nuna może spowodować uszkodzenie lub uczynić wózek niebezpiecznym.

Gumowe opony mogą pozostawiać czarne ślady na gładkich powierzchniach takich jak parkiety, laminaty i linoleum.

**RYZIKO UDUSZENIA NIE** wolno umieszczać na szyi dziecka elementów ze sznurkiem, pozostawiać wiszących sznurków na tym produkcie lub wiązać sznurków do zabawek.

W celu uniknięcia jakiegokolwiek niebezpieczeństwa uduszenia, przed użyciem urządzenia należy usunąć wszelkie osłony plastikowe i zniszczyć je lub trzymać poza zasięgiem niemowląt i dzieci!

W celu zapobiegania niebezpiecznemu stanowi niestabilnemu, nie wolno umieszczać więcej niż 4,5 kg w koszyku transportowym/koszyku zdejmovanym.

Używanie wózka spacerowego dla dziecka, o masie ciała przekraczającej 34,5 kg (76 funtów) spowoduj nadmierne zużycie i naprężenia wózka. 34,5 kg (76 funtów) = siedzenie dla maksymalnie 15 kg (33 funty) wózka dziecięcego/bliźniaczego + siedzenie dla maksymalnie 15 kg (33 funty) wózka dziecięcego/bliźniaczego + maksymalnie 4,5 kg (10 funtów) w koszu/koszu wyjmowanym.

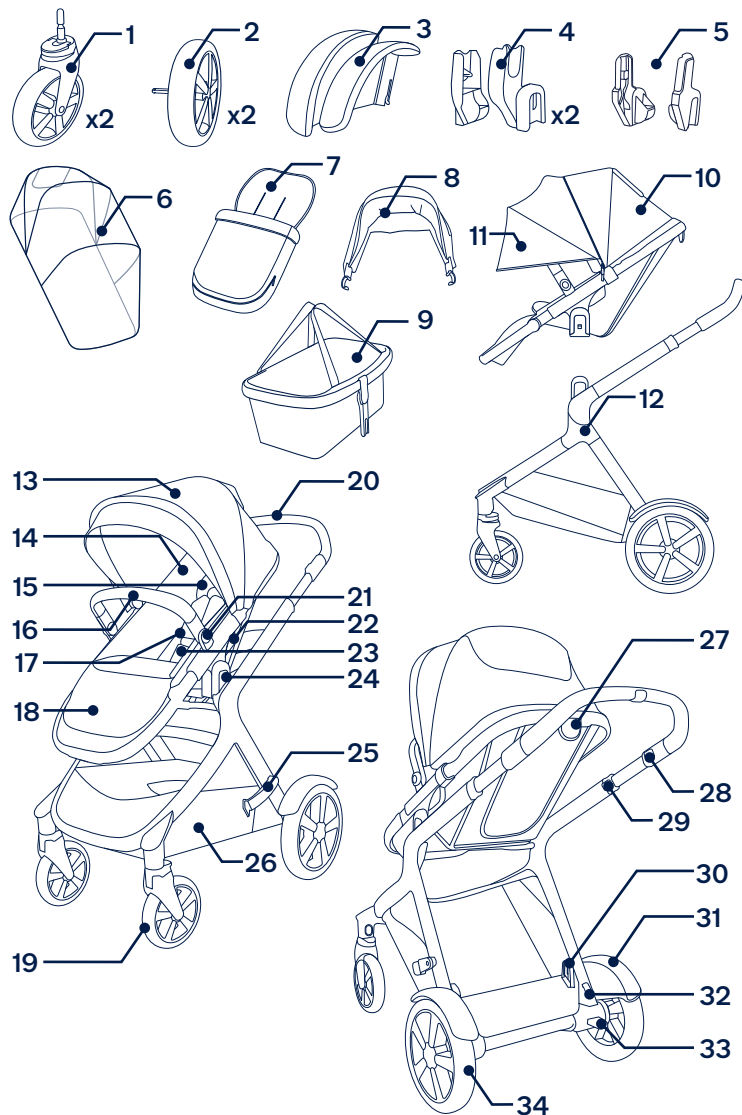
W przypadku korzystania z DEMI grow z dwójką dzieci, upewnić się, że są one prawidłowo umieszczone, wyłącznie w obszarze siedzenia.

# Lista części

Upewnij się, że wszystkie części znajdują się w zestawie zanim rozpoczniesz montaż. Jeżeli brakuje jakiejkolwiek części, skontaktuj się ze swoim sprzedawcą. Montaż nie wymaga użycia żadnych dodatkowych narzędzi.

**! RYZYKO UDŁAWIENIA:** Zdemontuj i natychmiast wyrzuć ochronne zewnętrzne nakładki z każdego koła i osi piasty koła.

- |    |   |    |                                       |
|----|---|----|---------------------------------------|
| 1  | Przednie koła (x2)                          | 18 | Podnózek                              |
| 2  | Tylne koła (x2)                             | 19 | Przednie koła                         |
| 3  | Blotniki (x2)                               | 20 | Rączka                                |
| 4  | Adaptory do fotelika dla niemowląt(x2 pary) | 21 | Przycisk zwalniający pałąk            |
| 5  | Adaptory do gondoli i spacerówki (x2)       | 22 | Przycisk zwalniający siedzisko        |
| 6  | Ostona przeciwdeszczowa                     | 23 | Kłamra i ostona krocza                |
| 7  | Śpiworek                                    | 24 | Zaczep siedziska górnego              |
| 8  | Budka                                       | 25 | Zaczep kosza                          |
| 9  | Odczepiany koszyk                           | 26 | Kosz                                  |
| 10 | Siedzisko/Siedzisko dodatkowe               | 27 | Przycisk regulacji odchylenia oparcia |
| 11 | Ostona Dream Drape                          | 28 | Przycisk regulacji rączki             |
| 12 | Stelaż                                      | 29 | Przycisk składania wózka              |
| 13 | Budka                                       | 30 | Zaczep siedziska dodatkowego          |
| 14 | Tapicerka siedziska                         | 31 | Blotniki                              |
| 15 | Oparcie                                     | 32 | Dźwignia regulacji zawieszenia        |
| 16 | Pałąk                                       | 33 | Hamulec                               |
| 17 | Nakładki na pasy                            | 34 | Tylne koła                            |



# Składanie produktu

## Otwórz wózek

- 1 - Odepnij uchwyt blokujący dla celów przechowywania. (1)
- 2 - Podnieś rączkę do góry. (2)
- 3 - Dźwięk “kliknięcia” oznacza, że wózek jest całkowicie rozłożony. (3)

Upewnij się, że wózek jest w całości rozłożony, zanim będziesz kontynuował.

## Błotniki

Zamontuj błotniki w trybie przewożenia bliźniaczego lub podwójnego.

- 1 - Włóż tylny błotnik w tylną nogę. Dźwięk “kliknięcia” oznacza, że błotnik jest całkowicie złożony. (4)

Sprawdź, czy błotnik jest bezpiecznie zamocowany przez pociągnięcie do góry.

Powtórz po przeciwnej stronie.

## Montaż tylnych kół

- 1 - Zamocuj tylne koła do tylnych nóg. (5)  
Sprawdź, czy koła zostały poprawnie zamocowane poprzez pociągnięcie ich w dół. Powtórz po przeciwnej stronie.
- 2 - Aby zdemontować tylne koło, naciskaj jednocześnie przycisk zwalniający (6)-1 i zdejmij tylne koło z tylnej nogi (6)-2.

## Montaż przednich kół

- 1 - Zamocuj przednie koła do przednich nóg. (7)  
Sprawdź, czy koła zostały poprawnie zamocowane poprzez pociągnięcie ich w dół.
- 2 - Aby zdemontować przednie koło, naciskaj jednocześnie przycisk zwalniający (8)-1 i zdejmij przednie koło z przedniej nogi (8)-2.

## Montaż budki

- 1 - Wepnij budkę w stelaż po obu stronach. (9)
- 2 - Zapnij zamek błyskawiczny łącząc budkę z siedziskiem. (10)
- 3 - Otwórz zamek błyskawiczny, a następnie zdemontuj budkę. (11)

## Montaż pałaka

- 1 - Dopasuj końcówki pałaka do końcówek mocowania w stelażu, a następnie wciśnij, żeby zablokować. (12)
  - 2 - Aby zdemontować pałak wciśnij przycisk demontażu (13)-1, a następnie pociągnij za pałak. (13)-2
  - 3 - Aby uzyskać bardziej kompaktową wielkość po złożeniu, należy nacisnąć przycisk regulacji rączki (14)-1 i obrócić w dół (14)-2 aż kliknie we właściwym miejscu.
- ! **NIGDY** nie używaj pozycji do złożenia lub przechowywania, gdy dziecko znajduje się w wózku.

## Montaż siedziska

Siedzisko można przelożyć w taki sposób, aby dziecko było skierowane przodem do kierunku jazdy lub w stronę rodzica.

- 1 - Wyrównaj boki wózka / siedzenia dla rodzeństwa za pomocą mocowania siedzeń. Wsuń siedzisko wózka / siedzenie dla rodzeństwa bezpośrednio do mocowań siedzisk, aż kliknie na swoje miejsce. Dźwięk “kliknięcia” oznacza, że siedzisko wózka/siedzisko dla rodzeństwa zostało zamontowane (15)
- 2 - Aby usunąć siedzisko wózka/siedzisko dla rodzeństwa, należy nacisnąć przyciski (16)-1 i podnieść siedzisko do wózka/siedzisko dla rodzeństwa (16)-2.

### Sprawdź czy

- Stelaż wózka jest zablokowany po rozłożeniu.
- Błotniki są bezpiecznie zamontowane.
- Tylne koła są bezpiecznie zamontowane.
- Przednie koła są bezpiecznie zamontowane.
- Siedzisko/siedzisko dla rodzeństwa jest bezpiecznie zamontowane.
- Mocowania budki zaczepione do ramy wózka, a budka zapięta zamkiem błyskawicznym z wkładką na siedzisko.

## Obsługa produktu

### Zabezpiecz swoje dziecko

- 1 - Naciśnij centralny przycisk na klamrze, aby odpiąć zatrzask klamry, następnie zdejmij klipsy. (17)
- 2 - Połącz klamrę pasów naramiennych z klamrą pasa biodrowego. (18)
- 3 - Zabezpiecz klamrę pasa naramiennego i biodrowego w klamrze zapinającej i powtórz po przeciwnej stronie. (19)
- 4 - Dopasuj naciągnięcie pasów (uprząży) do Twojego dziecka poprzez pociągnięcie do góry klamerki regulujących (znajdujących się pod nakładkami na pasy) (20)-1. Następnie pociągnij paski regulujące na biodrach (20)-2

### Regulacja pozycji pasów naramiennych

- 1 - Mocowanie pasów ramiennych mogą być regulowane w górę i w dół. (21)

! Aby uniknąć poważnych obrażeń spowodowanych wypadnięciem dziecka lub wyślizgnięciem się dziecka z wózka, upewnij się, że zawsze ma ono zapięte pasy.

Upewnij się, że Twoje dziecko jest dobrze zabezpieczone. Przestrzeń pomiędzy ciałem dziecka, a górnym pasem nie powinna przekraczać grubości jednego palca.

**NIE** krzyżuj pasów ramiennych, ponieważ skutkować to będzie naciskiem na szyję dziecka.

### Demontaż nakładek na pasy

Odepnij klamrę, aby zdjąć nakładki na pasy.

- 1 - Wsuń nakładki na pasy z pasów i przez klamrę pasów naramiennych. (22)

Aby założyć nakładki na pasy, należy przelożyć naramienny pas z klamrą przez otwór w nakładkach.

## Użycie daszka

- 1 - Aby rozłożyć, należy pociągnąć za daszek do przodu, a w odwrotnym kierunku – aby złożyć. **(23)**
- 2 - Odepnij zamek w budce, aby użyć osłony dream drape. **(24)**
- 3 - Wyciągnij osłonę dream drape, aby utworzyć większą powierzchnię ochronną. **(25)**
- 4 - Otwórz okienko w daszku dla lepszej wentylacji. **(26)**

## Handle

The handle has 4 positions.

- 1 - To adjust the height of the handle, press the handle adjustment button **(27)-1** and pull the handle up or down **(27)-2**.

## Regulacja rączki

Podnóżek może być ustawiony w dwóch pozycjach.

- 1 - Aby podnieść podciągnij podnóżek do góry. Aby obniżyć podnóżek, naciśnij przyciski po obu stronach **(28)-1** i go obniż. **(28)-2**.

## Regulacja pozycji leżącej

- 1 - Można pochylić oparcie w 3 pozycjach. **(29)**
- 2 - Aby podnieść lub opuścić oparcie, naciśnij przycisk regulacji oparcia i podnieś oparcie do góry lub opuść w dół. **(30)**

## Tapicerka siedziska

Użyj zimowej tapicerki siedziska w czasie chłodnych dni, aby zapewnić komfortową miejsce do siedzenia. Zimową tapicerkę można zdjąć i powstaje siateczkowe miejsce do siedzenia dla lepszej wentylacji na gorące dni.

- 1 - Aby zdjąć tapicerkę z siedziska, zdemontuj uprząż, rozsuś suwak wokół tapicerki i poprowadź pasy przez wyloty w klapie siedziska. **(31)**
- ! **NIE** usuwaj rury oparcia pleców.

## Hamulec

- 1 - Aby zablokować tylne koła naciśnij dźwignię hamulca. **(32)**
  - 2 - Aby odblokować koła, podnieś dźwignię hamulca do góry. **(33)**
- ! Zawsze używaj hamulca podczas postoju. Popchnij wózek lekko, aby upewnić się, że hamulec jest włączony.

## Regulacja Podwójnego Zawieszenia

Wózek posiada dwa tryby zawieszenia. Upewnij się, że podczas ustawiania nie ma dodatkowego ciężaru na wózku, a tylne zawieszenie i obie dźwignie znajdują się w tej samej pozycji.

- 1 - Przesuń dźwignię regulacji w górę **(34) -1**, podczas jazdy po nierównym terenie dla bardziej miękkiego zawieszenia i obróć dźwignie regulacyjne w dół **(34) -2** na gładkich powierzchniach dla sztywniejszego zawieszenia.

Podczas używania podwójnie lub dla bliźniąt, zaleca się przesunięcie dźwigni regulacji w dół.

## Blokada przednich kół

Zaleca się używać blokadę przednich kół obrotowych na nierównych powierzchniach.

- 1 - Pociągnij blokadę obrotową do tyłu, aby ustawić przednie koła (35).
- 2 - Aby odblokować, pociągnij blokadę do przodu. (36)

## Składanie wózka

Przed złożeniem wózka ustaw wysokość uchwytu na 2 lub 3 najwyższą pozycję i upewnij się, że przednie koła są odblokowane.

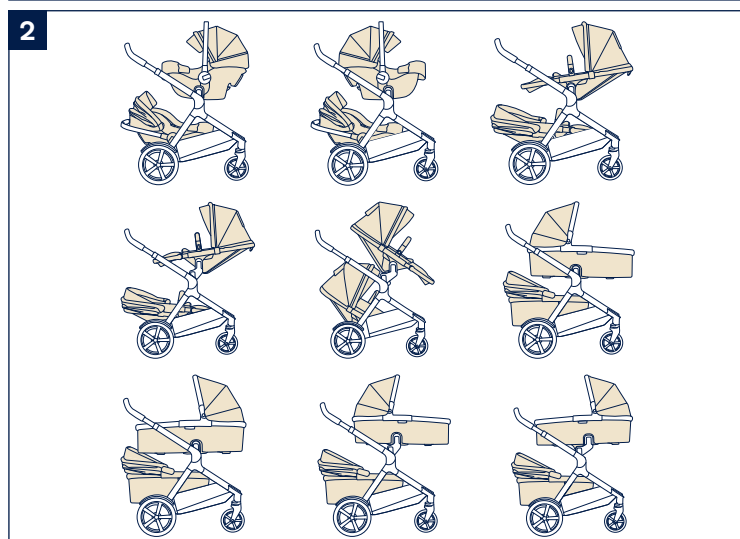
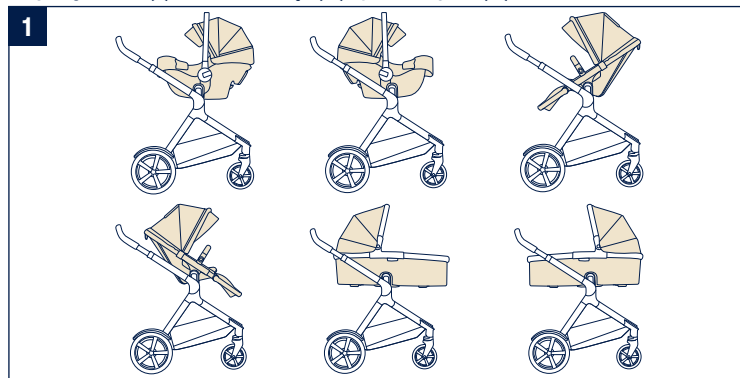
Wózek można złożyć z siedziskiem wózka /siedziskiem dla rodzeństwa skierowanym do przodu lub bez siedziska wózka /siedziska dla rodzeństwa.

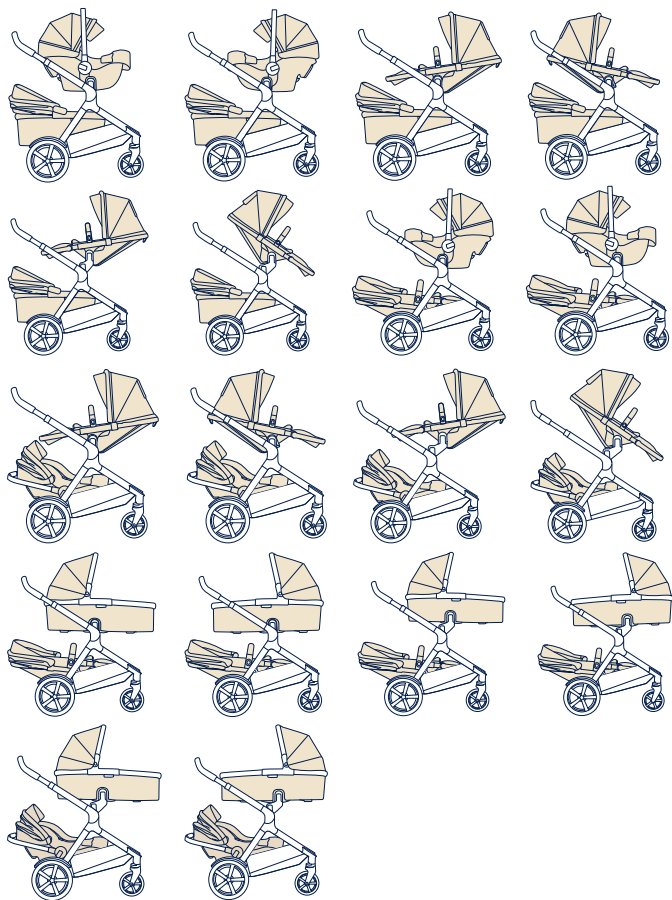
Jeśli wózek składany jest z siedziskiem, rozłóż oparcie do pozycji najbardziej płaskiej dla bardziej kompaktowego złożenia.

- 1 - Złóż daszek (37)-1 oraz obróć zaczep na dodatkowe siedzisko (37)-2.
- 2 - Podnieś do góry jednocześnie oba przyciski składania wózka. (38)
- 3 - Przesuń rączkę do dołu i upewnij się, że zaczep dodatkowego siedziska jest zapięty do stelaża. (39)
- 4 - Opuść podnózek. (40)

## Kombinacje systemu podróżowania

Wózek DEMI grow może być używany z serią fotelików dla niemowląt PIPA (za pomocą dołączonych adapterów), z gondolą oraz dwoma siedziskami w następujących kombinacjach. Pojedynczo (1), dla bliźniąt (2), podwójne (3)





## Systemy podróŜowania - moduły zastosowania

Podczas korzystania na dolnych mocowaniach wózka z siedziskiem /siedziskiem dla rodzeństwa, gondolą lub fotelikiem dla niemowląt, należy złożyć daszek

- ! Nie wszystkie akcesoria są dołączone do wszystkich modeli i nie wszystkie moduły są dozwolone.
- 1 - NIE używaj na dolnych mocowaniach siedziska / siedziska dla rodzeństwa **(41) -1**, gondoli **(41) -2** lub fotelika dla niemowląt **(41) -3** skierowanych tyłem do kierunku jazdy .
- 2 - NIE należy regulować oparcia siedziska / siedziska dla rodzeństwa do góry, kiedy jest on montowany na dolnym mocowaniu i gondola jest zamontowana na górnym mocowaniu. **(42)**
- 3 - Nie zalecamy montowania gondoli na górnym mocowaniu samodzielnie, gdy fotelik dla niemowląt jest zamontowany w dolnej części. **(43)**
- ! Gondolę można zamontować na górnym mocowaniu za pomocą adapterów , gdy fotelik dla niemowląt jest zamontowany na dolnym mocowaniu.
- 4 - NIE ustawiaj ręczki fotelika dla niemowląt do pionu, gdy jest on zamontowany na dole. **(44)**
- ! Proszę użyj adapterów do gondoli i spacerówki na górnej części, kiedy używasz górnego i dolnego modułu jednocześnie i oba z trybem przodem do kierunku jazdy. Pozwoli to na uzyskanie większej przestrzeni między siedziskami.

## Akcesoria

- ! Nie wszystkie akcesoria są dołączone do wszystkich modeli.

### Demi grow siedzisko do wózka/ siedzisko dla rodzeństwa

Podczas instalacji siedziska do wózka/siedziska dla rodzeństwa na dolnym module, złóż daszek, ustaw podnóżek na najwyższy poziom i złóż tylni panel koszyka do przodu.

- 1 - aby zamontować siedzisko do wózka/siedzisko dla rodzeństwa, wyrównaj boki siedziska z mocowaniami na wózku. (45)

Włóż siedzisko do wózka/siedzisko dla rodzeństwa do mocowań aż kliknie na swoim miejscu. Dźwięk kliknięcia oznacza, że siedzisko jest prawidłowo zamocowane.

- ! Zdemontuj siedzisko z dolnego modułu przed składaniem wózka.

- ! Proszę użyj adapterów do gondoli i spacerówki na górnej części, kiedy używasz górnego i dolnego modułu jednocześnie i oba z trybem przodem do kierunku jazdy. Pozwoli to na uzyskanie większej przestrzeni między siedziskami.

## Gondola Demi grow

Kiedy używasz wózka z gondolą zapoznaj się instrukcją obsługi tego produktu.

Złóż budkę podczas montażu gondoli na dole.

- 1 - Nakieruj boki gondoli na mocowania w stelażu. (46)

Umieść gondolę na stelażu wkładając ją w adaptory, aż usłyszysz kliknięcie.

Dźwięk kliknięcia oznacza, że gondola została poprawnie zamontowana. (46)

- 2 - Gondola może być montowana zgodnie z kierunkiem jazdy lub przeciwnie do kierunku jazdy na górnym mocowaniu. (47)

- 3 - Naciśnij przyciski demontujące po obu stronach gondoli (48)-1, a następnie podnieś ją do góry (48)-2.

- ! Wymontuj gondolę, jeżeli chcesz złożyć wózek.

## Użycie odczepianego koszyka

Przed zamontowaniem odczepianego koszyka, należy złożyć tylni panel koszyka do przodu.

- 1 - Obróć zaczepy po obu stronach kosza w dół i wepnij go do do mocowań w stelażu. (49)

- ! Zwróć uwagę na kierunek ustawienia koszyka podczas montażu ,dźwięk kliknięcia oznacza, że odczepiany koszyk jest prawidłowo wpięty. (49)

- 2 - Podnieś odczepiany koszyk do góry, aby go wyjąć. (50)



## Użycie osłony przeciwdeszczowej

Używaj osłony przeciwdeszczowej tylko na górnym siedzisku.  
(51)

**1** - Aby zamontować osłonę przeciwdeszczową nałóż ją na siedzisko.

**!** **ZAWSZE** sprawdzaj cyrkulację powietrza, gdy na siedzisko nałożona jest osłona przeciwdeszczowa.

**ZAWSZE** sprawdzaj, czy osłona przeciwdeszczowa jest czysta i sucha przed jej złożeniem.

**NIE** składaj wózka z nałożoną na nim osłoną przeciwdeszczową.

**NIE** umieszczaj dziecka w wózku z założoną osłoną przeciwdeszczową w ciepłe dni.

## Użycie śpiworka

**1** - Dla łatwiejszego montażu śpiworka odepnij pałąk, rozepnij pasy wewnętrzne i zdejmij nakładki naramienne, ochraniacz krokowy i zagłówek. (52)

**2** - Przed umieszczeniem śpiworka w wózku, rozepnij go i odstoń przednią część. (53)

**3** - Umieść rozpięty śpiworek na siedzisku i przetóż pasy naramienne oraz klamrę i ochraniacz krokowy przez odpowiednie otwory. (54) Załóż ponownie nakładki na pasy, ochraniacz krocza i ochraniacz głowy i zamontuj pałąk.

**4** - Zasuń śpiworek. (55)

**5** - Zawiń górną część śpiworka o pałąk wózka. (56)

## Zestaw adapterów do fotelika

Kiedy używasz wózka z fotelikiem zapoznaj się instrukcją obsługi tego produktu.

Złóż daszek podczas montażu fotelika na dolnym module.

**1** - Aby zamontować adaptery do fotelika, umieść adaptery na mocowaniach siedziska. Dźwięk kliknięcia oznacza, że adaptery do fotelika są zamontowane. (57)

**2** - Aby zamontować fotelik, należy umieścić go na zamontowanych adapterach do fotelika. Dźwięk kliknięcia oznacza, że fotelik jest zamontowany. (58)

**3** - Aby odzepić fotelik, naciśnij przyciski zwalniające z fotelika (59)-1 i go podnieś (59)-2.

**4** - Aby usunąć adaptery do fotelika, pociągnij przyciski zwalniające adapter (60)-1 i pociągnij adapter do góry (60)-2.

**5** - Adapter do fotelika może być zamontowany przodem (61)-1 lub tyłem do kierunku jazdy (61)-2 na górnym mocowaniu wózka.

**!** Usuń gondolę przed złożeniem.

## Zestaw adapterów do gondoli i siedziska

**!** Możliwy jest montaż adapterów tylko na górnych mocowaniach.

**!** Proszę użyj adapterów do gondoli i spacerówki na górnej części, kiedy używasz górnego i dolnego modułu jednocześnie i oba z trybem przodem do kierunku jazdy. Pozwoli to na uzyskanie większej przestrzeni między siedziskami.

- 1 - Aby zamontować adaptory do gondoli i siedziska wózka, umieść adaptory na mocowaniach tak jak pokazane na rysunku **(62)**. Dźwięk kliknięcia oznacza, że adaptory do gondoli i siedziska wózka są zamontowane. **(63)**
  - ! Poprawny montaż adapterów do gondoli i spacerówki pokazane jest na obrazku **(64)**.
- 2 - Aby zamontować gondolę na adapterach do gondoli i siedziska wózka, należy umieścić gondolę na zamontowanych adapterach do gondoli i siedziska do wózka. Dźwięk kliknięcia oznacza, że gondola jest zamontowana. **(65)**
  - ! Proszę nie używać gondoli na górnym mocowaniu, jeżeli oparcie siedziska na dolnym mocowaniu jest ustawione pionowo.
- 3 - Aby zamontować siedzisko na adapterach do gondoli i siedziska wózka, należy umieścić siedzisko na zamontowanych adapterach do gondoli i siedziska do wózka. Dźwięk kliknięcia oznacza, że siedzisko jest zamontowane. **(66)**
- 4 - Aby usunąć gondolę naciśnij przyciski demontujące po obu stronach **(48)-1**, a następnie podnieś ją do góry **(48)-2**.
- 5 - Aby usunąć fotelik naciśnij przyciski zwalnające **(16)-1**, a następnie podnieś go do góry **(16)-2**.
- 6 - Aby odzepić adaptory do gondoli i spacerówki należy unieść siedzisko lub gondolę **(67)-2**, naciskając przyciski jednocześnie **(67)-1**.
  - ! Nie składaj stelaża wózka jeżeli gondola lub siedzisko nadal są na nim zamontowane.

## Czyszczenie i konserwacja

Czyść ramę i elementy plastikowe przy użyciu suchej ściereczki. Nie używaj druciaków, ani wybielacza. Nie używaj lubrykantów ponieważ będą one gromadziły brud. Nie przechowuj wózka w wilgotnym miejscu.

Regularnie czyść koła przy pomocy wody.

Aby zapewnić długą żywotność produktowi, przetrzyj go ściereczką, aby usunąć wilgoć po każdym użyciu w deszczu.

Czyść miękkie elementy zgodnie z instrukcjami podanymi na ich metkach.

Normalnym jest, że materiały mogą wyblaknąć i przecierać się po długotrwałym użytkowaniu produktu.

Ze względów bezpieczeństwa używaj tylko oryginalnych części firmy Nuna

Regularnie sprawdzaj, czy wózek działa prawidłowo. Jeśli jakaś część jest uszkodzona lub zepsuta, zaprzestań korzystania z produktu.

**DŮLEŽITÉ!**  
**POZORNĚ SI PŘEČTETE**  
**TENTO NÁVOD A**  
**USCHOVEJTE JEJ PRO**  
**BUDOUCÍ POUŽITÍ**

## Obsah

<b>Informace o produktu</b>	
Registrace produktu	210
Záruka	210
Kontakt	210
<b>Požadavky na používání s dítětem</b>	211
<b>Varování</b>	212
<b>Seznam dílů</b>	216
<b>Sestavení produktu</b>	218
<b>Používání produktu</b>	221
<b>Možnosti sezení</b>	225
<b>Příslušenství</b>	
DEMI grow sportovní nastavba/přídavné sedátko	228
DEMI grow postýlka	228
DEMI grow kočárek – odnímatelný košík	229
DEMI grow sportovní nastavba/přídavné sedátko – pláštěnka	229
DEMI grow sportovní nastavba/přídavné sedátko – fusak	230
Adaptéry pro instalaci nosítka pro novorozence	230
Adaptéry pro instalaci sedátka a postýlky	231
<b>Čištění a údržba</b>	233

## Informace o produktu

Číslo modelu: \_\_\_\_\_

Vyrobeno v (datum): \_\_\_\_\_

### Registrace produktu

Vyplňte výše uvedené informace. Číslo modelu a datum výroby jsou uvedeny na štítku na dolní části rámu kočárku.

**Svůj produkt můžete zaregistrovat na webu:**

[www.nunababy.com/register-gear](http://www.nunababy.com/register-gear)

### Záruka

Naše vysoce kvalitní produkty jsou navrženy tak, aby mohly růst s vaším dítětem i s vaší rodinou. Protože si za svým produktem stojíme, vztahuje se na něj individuální záruka na produkt, která začíná platit dnem jeho zakoupení. Než nás budete kontaktovat, připravte si doklad o zakoupení, číslo modelu a datum výroby.

**Informace o záruce najdete na webu:**

[www.nunababy.com/warranty](http://www.nunababy.com/warranty)

### Kontakt

V případě náhradních dílů, servisu nebo dalších dotazů k záruce kontaktujte prosím naše oddělení zákaznického servisu.

[info@nunababy.com](mailto:info@nunababy.com)

[www.nunababy.com](http://www.nunababy.com)

## Požadavky na používání s dítětem

Tato sportovní nástavba/přídavné sedátko je vhodné pro děti, které splňují následující požadavky:

**Dítě:** alespoň 6 měsíců

**Hmotnost:** max. do 15 kg (33 lb)

**Výška:** 114,3 cm (45 palců)

Nevhodné pro děti mladší 6 měsíců.

Při používání rámu kočárku s postýlkou nebo nosítkem na novorozence dodržujte požadavky na používání s dítětem, které jsou uvedeny v příslušných návodech.

# VAROVÁNÍ

Nedodržení těchto varování a pokynů může vést k vážnému poranění nebo smrti.

Vždy používejte zádržný systém.

Před použitím zkontrolujte, zda jsou připevňovací zařízení lůžka nebo sedačky nebo autosedačky správně zaklesnuta.

Tento výrobek není hračka. Nedovolte dítěti, aby si s tímto výrobkem hrálo.

Před použitím si ověřte, že jsou všechny zajišťovací prvky zaklesnuty.

Nikdy nenechávejte dítě bez dozoru.

Tento výrobek není vhodný pro běhání nebo jízdu na bruslích.

Při skládání a rozkládání tohoto výrobku zajistěte, aby dítě nebylo v kočárku ani poblíž a nemohlo dojít k poranění dítěte.

Nepoužívejte tuto sedačku pro děti mladší 6 měsíců.

Je zakázáno používat příslušenství, které nebylo schváleno výrobcem. Je dovoleno používat pouze náhradní díly, které byly dodány nebo doporučeny výrobcem/distributorem.

Sestavení smí provést pouze dospělá osoba.

Když zastavíte, **VŽDY** použijte parkovací brzdu.

Na jakékoli poškození způsobené používáním příslušenství, které nebylo dodáno společností Nuna, se nebude vztahovat záruka.

Jakákoli zátěž připevněná na držadlo a/nebo na zadní stranu opěráku a/nebo na boční strany vozidla sníží jeho stabilitu.

Než dovolíte svému dítěti, aby se přiblížilo ke kočárku, zkontrolujte, zda je kočárek zcela zvednutý a zajištěný západkami.

**NEVOZTE** další děti, zboží, příslušenství v nebo na kočárku vyjma případů, které jsou v tomto návodu povoleny. Mohlo by dojít k omezení stability kočárku.

**NENECHÁVEJTE** tento kočárek v bezprostřední blízkosti silného zdroje tepla, například radiátoru nebo krbu.

**NEUMÍSŤUJTE** žádné předměty na stříšku.

Kočárek **NESKLADUJTE** na vlhkém místě. Textil nechte vždy uschnout přirozeně mimo přímého tepla.

**NEVOZTE** dítě v úložném košíku.

Kočárek **NEPOUŽÍVEJTE**, pokud jsou některé části poškozené nebo chybí.

Každá sportovní nastavba/přídavné sedátko je určeno pro děti věku alespoň 6 měsíců a do hmotnosti maximálně 15 kg (33 lb) nebo výšky 114,3 cm (45 palců).

Používáte-li autosedačky v kombinaci s podvozkem, toto vozidlo nenahrazuje postýlku ani lůžko. Když vaše dítě potřebuje spát, uložte jej do vhodné hluboké korby, postýlky nebo na vhodné lůžko.

Malé předměty, které představují nebezpečí udušení, uchovávejte mimo dosah dětí.

Při zdolávání obrubníků a hrubého povrchu postupujte opatrně. Opakovaný náraz může kočárek poškodit.

**V ŽÁDNÉM PŘÍPADĚ** nedovolte dětem stát na kočárku.

**V ŽÁDNÉM PŘÍPADĚ** nepřevázejte na sedátku více dětí.

**V ŽÁDNÉM PŘÍPADĚ** nepřevázejte v kočárku více než dvě děti současně.

**V ŽÁDNÉM PŘÍPADĚ** nepoužívejte tento kočárek na schodech nebo eskalátorech. Mohlo by dojít k náhlé ztrátě kontroly nad kočárkem nebo by vaše dítě mohlo vypadnout.

Postroj musí být vždy správně připevněn a seřízen. Postroj nenahrazuje řádný dohled dospělé osoby.

Při vkládání nebo vyjímání dětí musí být aktivována ruční brzda.

Přetěžování, nesprávné skládání a používání příslušenství, například dětských sedaček, háčků na tašky, pláštěnek, stupátek atd..., které nebyly schváleny společností Nuna, mohou kočárek poškodit nebo omezit jeho bezpečnost.

Gumové pneumatiky mohou zanechávat černé šmouhy na hladkém povrchu, například na parketách, laminátu nebo linoleu.

**NEBEZPEČÍ UŠKRCENÍ** Aby se zabránilo uškrcení, neumísťujte předměty s provázky okolo krku dítěte, nezavěšujte provázky z tohoto výrobku ani nepřivazujte provázky k hračkám.

Aby se zabránilo nebezpečí udušení, před používáním tohoto předmětu odstraňte a zlikvidujte všechny plastové kryty nebo je uchovávejte mimo dosah novorozenců a dětí!

Aby se zabránilo nebezpečí a porušení stability, neumísťujte do úložného/odnímatelného košíku více než 4,5 kg.

Při používání kočárku se zátěží více než 34,5 kg (76 lb) dojde k jeho nadměrnému opotřebení a namáhání. 34,5 kg (76 lb) = max. 15 kg (33 lb) sportovní nástavba/přídavné sedátko + max. 15 kg (33 lb) sportovní nástavba/přídavné sedátko + max. 4,5 kg (10 lb) úložný/odnímatelný košík.

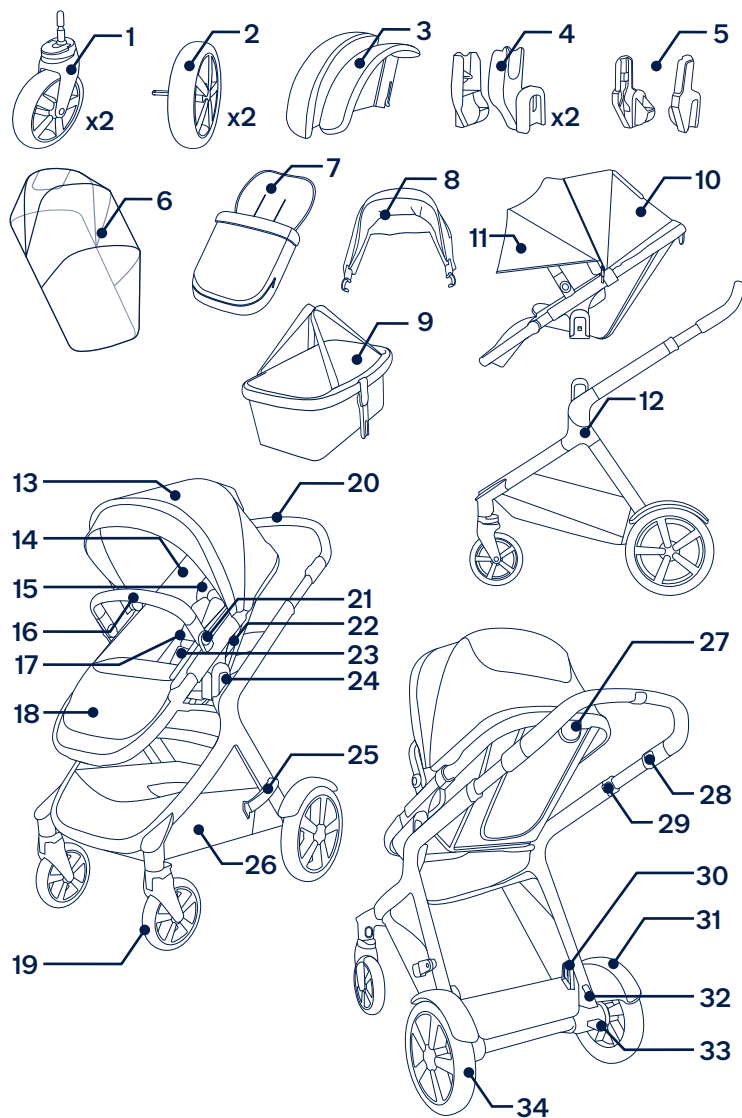
Při používání výrobku DEMI grow se dvěma dětmi zajistěte, aby byly správně umístěny pouze na místech určených k sezení.

# Seznam dílů

Před instalací se prosím ujistěte, že žádná část sestavy nechybí. V případě, že některá část chybí, kontaktujte prodejce. K sestavení nejsou zapotřebí žádné nástroje.

**! NEBEZPEČÍ UDUŠENÍ:** Odstraňte a ihned zlikvidujte ochranné koncovky z koleček a náprav.

- |  |   |
|--|---|
| 1 Přední kolečko (x2)                                | 17 Vložky ramenního postroje              |
| 2 Zadní kolečko (x2)                                 | 18 Opěrka nohou                           |
| 3 Zadní blatník                                      | 19 Přední kolečko                         |
| 4 Adaptéry pro instalaci nosítka na novorozence (x2) | 20 Držadlo kočárku                        |
| 5 Adaptéry pro instalaci sedátka a postýlky          | 21 Tlačítko nastavení opěrky rukou        |
| 6 Pláštěnka  | 22 Tlačítko uvolnění sedátka              |
| 7 Fusak  | 23 Kryt přezky a rozkroku                 |
| 8 Stříška  | 24 Horní držák sedátka                    |
| 9 Odnímatelný košík                                  | 25 Úložná západka                         |
| 10 Sportovní nastavba/ přídatné sedátko              | 26 Úložný košík                           |
| 11 Dream Drape™                                      | 27 Tlačítko nastavení sklonu              |
| 12 Rám kočárku                                       | 28 Tlačítko nastavení držadla             |
| 13 Stříška   | 29 Tlačítko rozložení                     |
| 14 Vložka sedačky                                    | 30 Dolní držák sedátka                    |
| 15 Podhlavník  | 31 Zadní blatník                          |
| 16 Opěrka rukou                                      | 32 Páčka nastavení Custom Dual Suspension |
|  | 33 Páčka brzdy                            |
|  | 34 Zadní kolečko                          |



# Sestavení produktu

## Rozevření rámu kočárku

- 1 - Oddělte úložnou západku od úložného úchyty. (1)
- 2 - Potom otočte držadlo kočárku nahoru. (2)
- 3 - Jakmile se ozve „cvaknutí“, znamená to, že rám kočárku je zcela rozevřen. (3)

Než budete pokračovat, zkontrolujte, zda je rám kočárku zcela zajištěný.

## Zadní blatníky

Připevněte zadní blatníky pro režimy dvojčat a dvou sourozenců.

- 1 - Zasuňte zadní blatník do zadní nohy. Jakmile se ozve „cvaknutí“, znamená to, že blatník je správně nainstalován. (4)

Zatažením ověřte, zda je blatník řádně nainstalován.

Zopakujte na opačné straně.

## Zadní kolečka

- 1 - Zasuňte zadní kolečko do zadní nohy. Jakmile se ozve „cvaknutí“, znamená to, že zadní kolečko je správně nainstalováno. (5)  
Zatažením ověřte, zda je kolečko řádně nainstalováno.  
Zopakujte na opačné straně.
- 2 - Chcete-li zadní kolečko vyjmout, stiskněte uvolňovací tlačítko (6)-1 a vysuňte zadní kolečko ze zadní nohy (6)-2.

## Přední kolečka

- 1 - Zasuňte přední kolečko do přední nohy. Jakmile se ozve „cvaknutí“, znamená to, že přední kolečko je správně nainstalováno. (7)  
Zatažením ověřte, zda je kolečko řádně nainstalováno  
Zopakujte na opačné straně.
- 2 - Chcete-li přední kolečko vyjmout, stiskněte uvolňovací tlačítko (8)-1 a vysuňte přední kolečko z přední nohy (8)-2.

## Stříška

- 1 - Nasadte držák stříšky na obě strany sportovní nastavby/ přídatného sedátka. (9)
- 2 - Zapněte zip stříšky ke sportovní nastavbě/přídatnému sedátku. (10)
- 3 - Chcete-li stříšku sejmout, rozepte zipy a potom odpojte držáky stříšky. (11)

## Opěrka rukou

- 1 - Zorientujte konce opěrky rukou s držáky opěrky rukou a zasuňte tak, aby zacvakly na místo. Jakmile se ozve „cvaknutí“, znamená to, že opěrka rukou je správně nainstalována. (12)
  - 2 - Při odnímání opěrky rukou stiskněte uvolňovací tlačítka opěrky rukou (13)-1 pod vložkou sedačky a sejměte opěrku rukou. (13)-2
  - 3 - Pro kompaktnější rozložení stiskněte uvolňovací tlačítka opěrky rukou (14)-1 a otočte opěrku rukou dolů (14)-2 tak, aby zacvakla na místo.
- ! Pro rozložení použijte pouze polohu dolů/uloženou.  
**V ŽÁDNÉM PŘÍPADĚ** nepoužívejte tuto polohu s dítětem v kočárku.



## Sportovní nastavba/přídavné sedátko

Sportovní nastavbu/přídavné sedátko lze nasadit v orientaci proti nebo po směru jízdy.

- 1 - Zorientujte strany sportovní nastavby/přídavného sedátka s držáky sedátka. Umístěte sportovní nastavbu/přídavné sedátko přímo dolů tak, aby zacvaklo na místo. Jakmile se ozve „cvaknutí“, znamená to, že sportovní nastavba/přídavné sedátko je správně nainstalováno. **(15)**
- 2 - Při odnímání sportovní nastavby/přídavného sedátka stiskněte tlačítka pro uvolnění sedátka **(16)-1** a zvedněte sportovní nastavbu/přídavné sedátko nahoru **(16)-2**.

### Kontrola sestavení

- Rám kočárku je zajištěný v otevřené poloze
- Zadní blatníky jsou řádně připevněné
- Zadní kolečka jsou řádně připevněná
- Přední kolečka jsou řádně připevněná
- Sportovní nastavba/přídavné sedátko je řádně připevněno
- Držák stříšky je připevněný k rámu kočárku a stříška je zapnutá zipem k vložce sedačky

## Používání produktu

### Zajištění dítěte

- 1 - Stisknutím středového tlačítka na přezce uvolněte západku přezky. Vyjměte svorky a vložte dítě do kočárku. **(17)**
- 2 - Zapněte ramenní a bederní přezku. **(18)**
- 3 - Připevněte ramenní a bederní přezku k západce přezky a zopakujte postup na opačné straně. **(19)**
- 4 - Přizpůsobte postroj dítěti posunutím dolních stavitelných přezek (pod kryty postroje) nahoru **(20)-1**. Potom utáhněte popruhy pro nastavení pasu. **(20)-2**

### Poloha ramenního postroje

- 1 - Další nastavení lze provádět posouváním horních přezek ramenního postroje nahoru a dolů. **(21)**

! Aby se zabránilo pádu nebo vyklouznutí a vážnému zranění, vždy zajistěte své dítě postrojem.

Zajistěte, aby byl postroj řádně upraven a aby bylo vaše dítě těsně připoutáno. Mezi dítětem a ramenním postrojem musí být prostor přibližně na tloušťku jednoho prstu.

**NEKŘÍŽTE** ramenní pásy. Tím se vytváří tlak na krk dítěte.

### Vyjmutí vložek ramenního postroje

Chcete-li vyjmout vložky ramenního postroje, uvolněte přezku.

- 1 - Posuňte vložku ramenního postroje dolů a z popruhu přezky ramenního postroje. **(22)**

Chcete-li nasadit vložku ramenního postroje, rozepněte patenty a provlečte přezku ramenního postroje vnitřní smýčkou.

## Stříška

- 1 - Chcete-li otevřít stříšku, zatlačte ji směrem k přední části sedačky. Chcete-li stříšku složit, přitáhněte ji dozadu. **(23)**
- 2 - Chcete-li použít zástěnu dream drape™, rozepněte zip na stříšce. **(24)**
- 3 - Stažením zástěny drape™ docílíte lepšího stínu. **(25)**
- 4 - Pro zajištění lepšího větrání otočte kryt okénka ve stříšce směrem nahoru. **(26)**

## Rukojeť

Rukojeť má 4 polohy.

- 1 - Chcete-li upravit výšku rukojeti, stiskněte stavěcí tlačítko rukojeti **(27)-1** a přitáhněte rukojeť nahoru nebo dolů **(27)-2**.

## Opěrka nohou

Opěrka nohou má 2 polohy.

- 1 - Chcete-li opěrku nohou umístit výše, zvedněte ji. Chcete-li opěrku nohou nastavit níže, stiskněte stavěcí tlačítko uprostřed opěrky **(28)-1** a stlačte opěrku směrem dolů **(28)-2**.

## Sklon

- 1 - K dispozici jsou 3 polohy sklonu opěráku. **(29)**
- 2 - Chcete-li opěrák zvednout nebo spustit, stiskněte tlačítko nastavení sklonu a stlačte sedačku nahoru nebo dolů. **(30)**

## Vložka sedačky

V chladném počasí používejte zimní vložku sedačky pro zajištění pohodlného sezení. Zimní vložku sedačky lze vyjmout a nahradit síťovinou pro zajištění lepšího větrání v horkém počasí.

- 1 - Před vyjmutím vložky sedačky rozpojte přezku postroje, rozepněte zip okolo vložky sedačky a provlečte postroj otvory ve vložce sedačky. **(31)**

**!** NEVYJÍMEJTE trubici opěráku.

## Brzda

- 1 - Chcete-li zablokovat zadní kolečka, šlápněte na páku brzdy. **(32)**
- 2 - Chcete-li odblokovat zadní kolečka, zvedněte páku brzdy. **(33)**

**!** Když se kočárek nepohybuje, vždy jej zabrzděte. Mírně zatlačte na kočárek a ověřte, zda je zabrzděný.

## Custom Dual Suspension™

Tento kočárek má dva režimy odpružení. Při nastavování zadního odpružení nesmí být na kočárku žádná zátěž a obě páčky se musí nacházet ve stejné poloze.

- 1 - Otočte páčku nastavení nahoru **(34)-1** na nerovném terénu pro měkčí odpružení. Otočte páčky nastavení dolů **(34)-2** na hladkém povrchu pro tužší odpružení.

Při používání se sourozenci nebo dvojčaty doporučujeme otočit páčky nastavení dolů.

## Zámky natáčení předních koleček

Na nerovném povrchu doporučujeme zablokovat natáčení předních koleček.

- 1 - Vysunutím zámku natáčení předního kolečka zablokuje přední kolečko v orientaci dopředu. (35)
- 2 - Zatlačením zámku natáčení předního kolečka odblokuje natáčení. (36)

## Rozložení

Před rozložením kočárku nastavte rukojeť do 2. nebo 3. nejvyšší polohy a zkontrolujte, zda není zablokováno natáčení předních koleček.

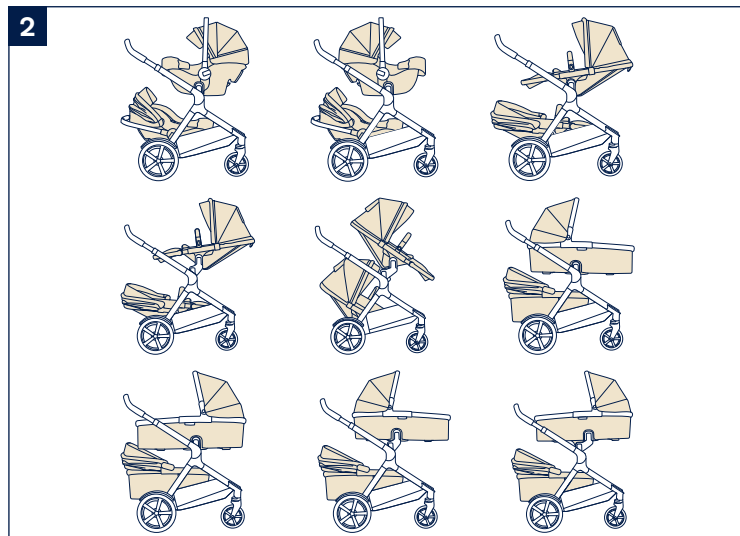
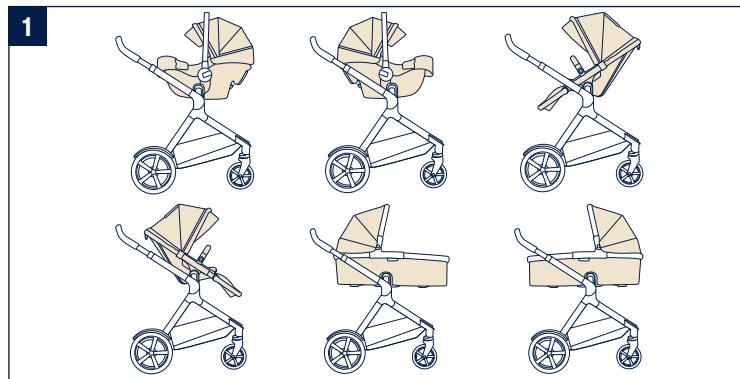
Tento kočárek lze rozložit se sportovní nástavbou/přídavným sedátkem v orientaci po směru jízdy nebo bez něho.

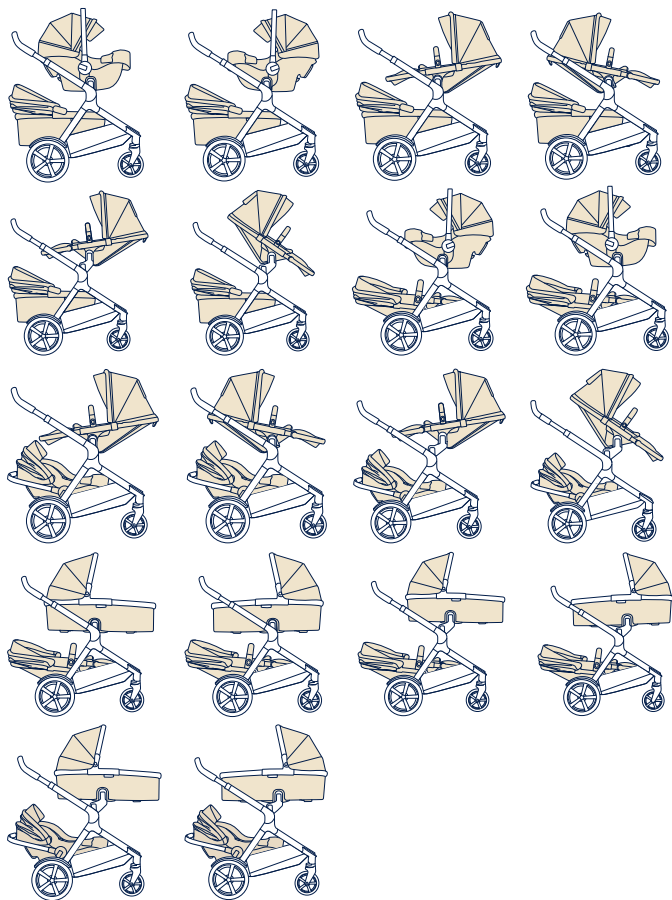
Při rozkládání se sedátkem nastavte největší sklon sedátka pro co nejkompaktnější rozložení.

- 1 - Rozložte stříšku (37)-1 a otočte úložnou západku směrem ven (37)-2.
- 2 - Zvedněte obě tlačítka rozložení. (38)
- 3 - Otočte rukojeť dolů a zkontrolujte, zda je úložná západka uzavřená na rámu kočárku. (39)
- 4 - Pro kompaktnější rozložení rozložte opěru lýtek dolů. (40)

## Možnosti sezení

Rám kočárku DEMI grow lze používat s nosítkem na novorozence řady PIPA (s použitím příložených adaptérů), s postýlkou DEMI grow a se sportovní nástavbou/přídavným sedátkem DEMI grow v následujících kombinacích. Jedno dítě (1), dvojčata (2), dvě děti (3)





## Možnosti sezení

Při používání rámu kočárku se sportovní nastavbou/přídavným sedátkem, postýlkou nebo nosítkem na novorozence rozložte stříšku, když je sportovní nastavba/přídavné sedátko, postýlka nebo nosítko na novorozence nainstalováno na dolním držáku.

! U některých modelů není některé příslušenství k dispozici a nelze použít některé režimy.

- 1 - **NEPOUŽÍVEJTE** sportovní nastavbu/přídavné sedátko (41)-1, postýlku (41)-2 nebo nosítko na novorozence (41)-3 v orientaci proti směru jízdy na dolním držáku.
- 2 - **NENASTAVUJTE** opěrák sportovní nastavby/přídavného sedátka nahoru, když je nainstalováno na dolním držáku a když je postýlka nainstalována na horním držáku. (42)
- 3 - **NEINSTALUJTE** nosítko pro novorozence na dolní držák, když je na horním držáku nainstalován koš proti směru jízdy, bez použití adaptérů pro instalaci sedačky a postýlky. (43)
  - ! Postýlku lze nainstalovat na horní držák s použitím adaptérů pro instalaci sedátka a postýlky, když je nosítko na novorozence nainstalováno na dolním držáku
- 4 - **NENASTAVUJTE** rukojeť nosítka na novorozence do svislé polohy, když je nosítko nainstalováno na dolním držáku. (44)
  - ! Použijte adaptéry pro instalaci sedátka a postýlky (díl č. 5) na horní držák při použití přídavného sedátka na horním a dolním držáku současně a oboje v orientaci po směru jízdy.

## Příslušenství

! U některých modelů není některé příslušenství k dispozici.

### DEMI grow sportovní nastavba/přídavné sedátko

Při instalaci sportovní nastavby/přídavného sedátka na dolní držák rozložte stříšku, nastavte opěru nohou do nejvyšší polohy a rozložte zadní panel koše kočárku dopředu.

**1** - Chcete-li nainstalovat sportovní nastavbu/přídavné sedátko, zorientujte strany sportovní nastavby/přídavného sedátka s držáky sedátka. **(45)**

Umístěte sportovní nastavbu/přídavné sedátko přímo dolů tak, aby zacvaklo na místo. Jakmile se ozve „cvaknutí“, znamená to, že sportovní nastavba/přídavné sedátko je správně nainstalováno. **(45)**

! Před rozložením kočárku odinstalujte sportovní nastavbu/přídavné sedátko z dolního držáku.

! Použijte adaptéry pro instalaci sedátka a postýlky na horní držák, když používáte horní a dolní držák současně a oboje v orientaci po směru jízdy.

### DEMI grow postýlka

Pokyny pro instalaci a používání postýlky najdete v návodu na použití postýlky.

Při instalaci postýlky na dolní držák rozložte stříšku.

**1** - Chcete-li nainstalovat postýlku, zorientujte strany postýlky s držáky sedátka. **(46)**

Umístěte hluboké lůžko přímo dolů tak, aby zacvaklo na místo.  
„Cvaknutí“ znamená, že postýlka je připojena. **(46)**

**2** - Postýlku lze nainstalovat do horního držáku v orientaci proti nebo po směru jízdy. **(47)**

**3** - Chcete-li postýlku odpojit, stiskněte uvolňovací tlačítka postýlky **(48)-1** a zvedněte **(48)-2**.

! Před rozložením kočárku odinstalujte postýlku.

### DEMI grow kočárek – odnímatelný košík

Před instalací odnímatelného košíku rozložte zadní panel košíku dopředu.

**1** - Otočte opěry na obou stranách odnímatelného košíku směrem dolů a zasuňte je do držáků. **(49)**

! Při instalaci odnímatelného košíku věnujte pozornost směru košíku. Jakmile se ozve cvaknutí, znamená to, že odnímatelný košík je správně nainstalován. **(49)**

**2** - Zvednutím vyjměte odnímatelný košík. **(50)**

### DEMI grow sportovní nastavba/přídavné sedátko – pláštěnka

Na sportovní nastavbu/přídavné sedátko v horním držáku používejte pouze pláštěnku na sportovní nastavbu. **(51)**

**1** - Pláštěnku umístěte přes sportovní nastavbu/přídavné sedátko.

! Když je na kočárku umístěna pláštěnka, **VŽDY** kontrolujte větrání.

Před rozložením **VŽDY** zkontrolujte, zda byla pláštěnka očištěna a je suchá.

**NEROZKLÁDEJTE** kočárek s nasazenou pláštěnkou.

V horkém počasí **NEUMÍSTUJTE** dítě do kočárku s nasazenou pláštěnkou.

## DEMI grow sportovní nástavba/ přídavné sedátko – fusak

- 1 - Pro snadnější instalaci fusaku vyjměte opěrku rukou, rozepněte stroj a vyjměte vložky ramenního postroje, polstry rozkrokového pásu a opěrky hlavy. (52)
- 2 - Před umístěním fusaku na sportovní nástavbu/přídavné sedátko rozepněte zip a otevřete přední kryt fusaku. (53)
- 3 - Umístěte fusak na sportovní nástavbu/přídavné sedátko a provlečte popruh ramenního postroje a přezky otvory na fusaku. (54) Nasadte vložky ramenního postroje, polstry rozkrokového pásu a rozkrokového pásu a nasadte opěrku rukou.
- 4 - Zapněte zip předního krytu fusaku. (55)
- 5 - Ohněte klapku fusaku přes opěrku rukou kočárku. (56)

## Adaptéry pro instalaci nosítka pro novorozence

Pokyny pro instalaci a používání nosítka pro novorozence najdete v návodu na použití nosítka.

Při instalaci nosítka pro novorozence na dolní držák rozložte stříšku.

- 1 - Nasadte adaptéry pro instalaci nosítka pro novorozence do držáků nástavby. Jakmile se ozve „cvaknutí“, znamená to, že adaptéry pro instalaci nosítka pro novorozence jsou uchycené. (57)
- 2 - Při nasazování umístěte nosítko pro novorozence na adaptéry pro instalaci nosítka pro novorozence. „Cvaknutí“ znamená, že nosítko pro novorozence je připojeno. (58)
- 3 - Chcete-li odpojit nosítko pro novorozence, stiskněte uvolňovací tlačítka na nosítku (59)-1 a zvedněte (59)-2.

- 4 - Chcete-li odpojit adaptéry pro instalaci nosítka pro novorozence, zatáhněte za uvolňovací tlačítka adaptéru (60)-1 a zvedněte (60)-2.
- 5 - Adaptéry pro instalaci nosítka pro novorozence do horního držáku lze nasadit v orientaci proti (61)-1 nebo po (61)-2 směru jízdy.

! Před složením sejměte nosítko pro novorozence.

## Adaptéry pro instalaci sedátka a postýlky

! Adaptéry pro instalaci sedátka a postýlky lze nainstalovat pouze na horní držák.

! Použijte adaptéry pro instalaci sedátka a postýlky na horní držák, když používáte horní a dolní držák současně a oboje v orientaci po směru jízdy.

- 1 - Při připevňování umístěte adaptéry pro instalaci sedátka a postýlky na držáky podle obrázku (62). Jakmile se ozve „cvaknutí“, znamená to, že adaptéry pro instalaci sedátka a postýlky jsou zajištěné. (63)
- ! Správné použití adaptérů pro instalaci sedátka a postýlky je uvedeno na (64).
- 2 - Chcete-li nainstalovat postýlku na adaptéry pro instalaci sedátka a postýlky, umístěte postýlku na adaptéry pro instalaci sedátka a postýlky. Jakmile se ozve „cvaknutí“, znamená to, že postýlka je zajištěna. (65)
- ! Nepoužívejte postýlku na horním sedátku, když se opěrák dolního sedátka nachází ve svislé poloze.
- 3 - Chcete-li nainstalovat sedátko na adaptéry pro instalaci sedátka a postýlky, umístěte sedátko na adaptéry pro instalaci sedátka a postýlky. Jakmile se ozve „cvaknutí“, znamená to, že sedátko je zajištěné. (66)

- 4 - Chcete-li postýlku odpojit, stiskněte uvolňovací tlačítka postýlky **(48)-1** a zvedněte **(48)-2**.
  - 5 - Při odnímání sedátka stiskněte tlačítka pro uvolnění sedátka **(16)-1** a zvedněte sedátko nahoru **(16)-2**.
  - 6 - Chcete-li odpojit adaptéry pro instalaci sedátka a postýlky, zvedněte adaptéry pro instalaci sedátka a postýlky nahoru **(67)-2** a zároveň zatáhněte za uvolňovací tlačítka. **(67)-1**
- ! Před rozložením sejměte sedátko a postýlku.

## Čištění a údržba

Rám, plastové části a potah můžete čistit vlhkým hadříkem. Nepoužívejte abrazivní prostředky ani bělidlo. Nepoužívejte silikonová maziva, která přitahují prach a nečistoty. Tento kočárek neskladujte na vlhkém místě.

Kolečka kočárku pravidelně čistěte vodou a odstraňujte veškeré nečistoty.

Aby byla zajištěna dlouhá životnost, po používání v deštivém počasí otřete kočárek měkkým savým hadříkem.

Pokyny pro praní a sušení jsou uvedeny na štítcích s pokyny pro péči a údržbu, které jsou připevněny na textilních částech.

Je normální, že barva potahu časem vybledne a opotřebuje se v důsledku praní a/nebo slunečního záření, a to i při běžném používání.

Z bezpečnostních důvodů používejte pouze originální díly Nuna.

Pravidelně kontrolujte, zda vše funguje správně. Pokud se některá část nosítka roztrhne, praskne nebo se ztratí, přestaňte produkt používat.

**DÔLEŽITÉ!**  
**PREČÍTAJTE POZORNE**  
**A UCHOVAJTE PRE**  
**NESKORŠIE POUŽITIE**

## Obsah

### Informácie o výrobku

Registrácia výrobku	236
Záruka	236
Kontakt	236

### Požiadavky na používanie s deťmi

237

### Výstrahy

238

### Zoznam jednotlivých častí

242

### Zostavenie výrobku

244

### Používanie výrobku

247

### Možnosti sedenia

251

### Príslušenstvo

Sedačka kočíka/súrodenecká sedačka DEMI grow	254
Prenosná postieľka DEMI grow	254
Odnímateľný košík kočíka DEMI grow	255
Kryt sedačky kočíka/súrodeneckej sedačky DEMI grow proti dažďu	255
Nánožník k sedačke kočíka/súrodeneckej sedačke DEMI grow	256
Pripájacie adaptéry detskej autosedačky	256
Pripájacie adaptéry sedačky a prenosnej postieľky	257

### Čistenie a údržba

259



## Informácie o výrobku

Číslo modelu: \_\_\_\_\_

Vyrobené v (dátum): \_\_\_\_\_

### Registrácia výrobku

Vyplňte vyššie uvedené informácie. Číslo modelu a dátum výroby sú uvedené na štítku na spodnej strane rámu kočíka.

**Aby ste svoj výrobok zaregistrovali, navštívte:**

[www.nunababy.com/register-gear](http://www.nunababy.com/register-gear)

### Záruka

Zámerne sme navrhli naše výrobky vysokej kvality tak, aby mohli rásť s vaším dieťaťom aj vašou rodinou. Pretože si stojíme za naším výrobkom, naše vybavenie je kryté vlastnou zárukou na každý výrobok, začínajúc dňom zakúpenia. Ak nás budete kontaktovať, pripravte si doklad o kúpe, číslo modelu a dátum výroby.

**Viac informácií o záruke nájdete na stránke:**

[www.nunababy.com/warranty](http://www.nunababy.com/warranty)

### Kontakt

Ohľadne náhradných dielov, servisu alebo ďalších otázok o záruke sa obráťte na naše oddelenie služieb zákazníkom.

[info@nunababy.com](mailto:info@nunababy.com)

[www.nunababy.com](http://www.nunababy.com)

## Požiadavky na používanie s deťmi

Táto sedačka kočíka/súrodenecká sedačka je vhodná na používanie s deťmi, ktoré spĺňajú nasledujúce požiadavky:

**Dieťa:** najmenej 6 mesiacov

**Hmotnosť:** maximálne 15 kg (33 libier)

**Výška:** 114,3 cm (45 palcov)

Nie je vhodná pre deti mladšie ako 6 mesiacov.

Pri používaní rámu kočíka s prenosnou postielkou alebo detskou sedačkou si pozrite požiadavky na používanie s deťmi v príslušných návodoch na použitie.

# ⚠ VÝSTRAHA

Nedodržanie týchto výstrah a pokynov môže viesť k vážnemu poraneniu alebo smrti.

Používajte vždy upevňovací systém.

Pred použitím skontrolujte, či sú správne pripevnené upevňovacie zariadenia kočiarika, sedačky alebo autosedačky.

Tento výrobok nie je hračka. Nenechajte dieťa hrať sa s týmto výrobkom.

Pred používaním sa uistite, že všetky zaistovacie zariadenia sú zaistené.

Nikdy nenechávajte dieťa bez dozoru.

Tento výrobok nie je vhodný na behanie, korčuľovanie.

Pri rozopínaní a zapínaní sa uistite, že dieťa nie je v kočiariku, aby ste predišli prípadnému úrazu.

Nepoužívajte túto sedačku pre deti mladšie ako 6 mesiacov.

Príslušenstvo, ktoré nie je schválené výrobcom, sa nesmie používať. Musia sa používať len náhradné diely dodávané alebo odporúčané výrobcom/distribútorom.

Montáž musia vykonať dospelé osoby.

**VŽDY**, keď zastavíte, aktivujte parkovaciu brzdu.

Na žiadne poškodenie spôsobené používaním príslušenstva, ktoré nie je dodávané spoločnosťou Nuna, sa nebudú vzťahovať podmienky záruky.

Akékoľvek zaťaženie pôsobiace na rukoväť a/alebo zadnú stranu operadla a/alebo na boky vozidla ovplyvní stabilitu vozidla.

Predtým, než dovoľíte dieťaťu byť v blízkosti kočíka, sa ubezpečte, že je kočík úplne postavený a zaistený.

**NENOSTE** ďalšie deti, tovar ani príslušenstvo v kočíku alebo na inom iným spôsobom, ako je povolený v tejto príručke. Môžu spôsobiť, že sa kočík stane nestabilným.

**NENECHÁVAJTE** kočík vystavený v blízkosti silného zdroja tepla, t. j. radiátora alebo otvoreného ohňa.

**NEUMIESTŇUJTE** na plátennú striedku žiadne predmety.

**NESKLADUJTE** kočík na vlhkom mieste. Textil nechajte vždy prirodzene vyschnúť mimo priameho tepla.

**NEPOUŽÍVAJTE** úložný košík ako nosič na dieťa.

**NEPOUŽÍVAJTE** kočík, ak sú akékoľvek diely poškodené alebo chýbajú.

Každá sedačka kočíka/súrodenecká sedačka je určená pre deti vo veku najmenej 6 mesiacov a s maximálnou hmotnosťou 15 kg (33 libier) alebo výškou 114,3 cm (45 palcov).

Pre autosedačky používané v spojení s rámom platí, že toto vozidlo nenahrádza postieľku ani posteľ. Ak vaše dieťa potrebuje spať, malo by sa umiestniť do vhodného telesa kočíka, postieľky alebo posteľe.

Malé časti uchovávajte mimo dosahu detí, pretože predstavujú nebezpečenstvo zadusenía.

Obrubníky a nerovný povrch prekonávajú s opatrnosťou. Opakovaný náraz môže spôsobiť poškodenie kočíka.

**NIKDY** nedovoľte deťom postaviť sa na kočík.

**NIKDY** neprevážajte v jednej sedačke viac ako jedno dieťa.

**NIKDY** neprevážajte v kočíku naraz viac ako dve deti.

**NIKDY** nepoužívajte kočík na schodoch alebo eskalátoroch. Môžete zrazu stratiť kontrolu nad kočíkom alebo vám môže dieťa vypadnúť.

Popruhy sa musia vždy správne nasadiť a upraviť. Popruhy nie sú náhradou za riadny dohľad dospelých.

Pri vkladaní a vyberaní detí sa musí aktivovať parkovacia brzda.

Preťaženie, nesprávne skladanie a používanie príslušenstva, napr. detských sedačiek, háčikov na tašky, krytov proti dažďu, závesných stúpadiel atď..., okrem tých, ktoré schválila spoločnosť Nuna, môže kočík poškodiť alebo spôsobiť, že nebude bezpečný.

Gumené pneumatiky môžu zanechať na hladkých povrchoch, ako sú parkety, lamináty a linoleum, čierne známky oteru.

**NEBEZPEČENSTVO UŠKRATENIA** Aby sa zabránilo uškrteniu, okolo krku dieťaťa neumiestňujte predmety so šnúrkami, šnúrky nenechajte visieť z tohto výrobku ani ich neuväzujte k hračkám.

Aby ste zabránili akémukoľvek nebezpečenstvu zadusenía, pred použitím tejto položky odstráňte všetky plastové kryty a zničte ich alebo ich uchovávajte mimo dosahu dojčiat a detí!

Aby ste predišli nebezpečným a nestabilným podmienkam, neumiestňujte do úložného košíka/odnímateľného košíka viac ako 4,5 kg.

Používanie kočíka s viac ako 34,5 kg (76 libier) hmotnosti spôsobí nadmerné opotrebenie a namáhanie kočíka. 34,5 kg (76 libier) = 15 kg (33 libier) maxima sedačky kočíka/súrodeneckej sedačky + 15 kg (33 libier) maxima sedačky kočíka/súrodeneckej sedačky + 4,5 kg (10 libier) maxima úložného košíka/odnímateľného košíka.

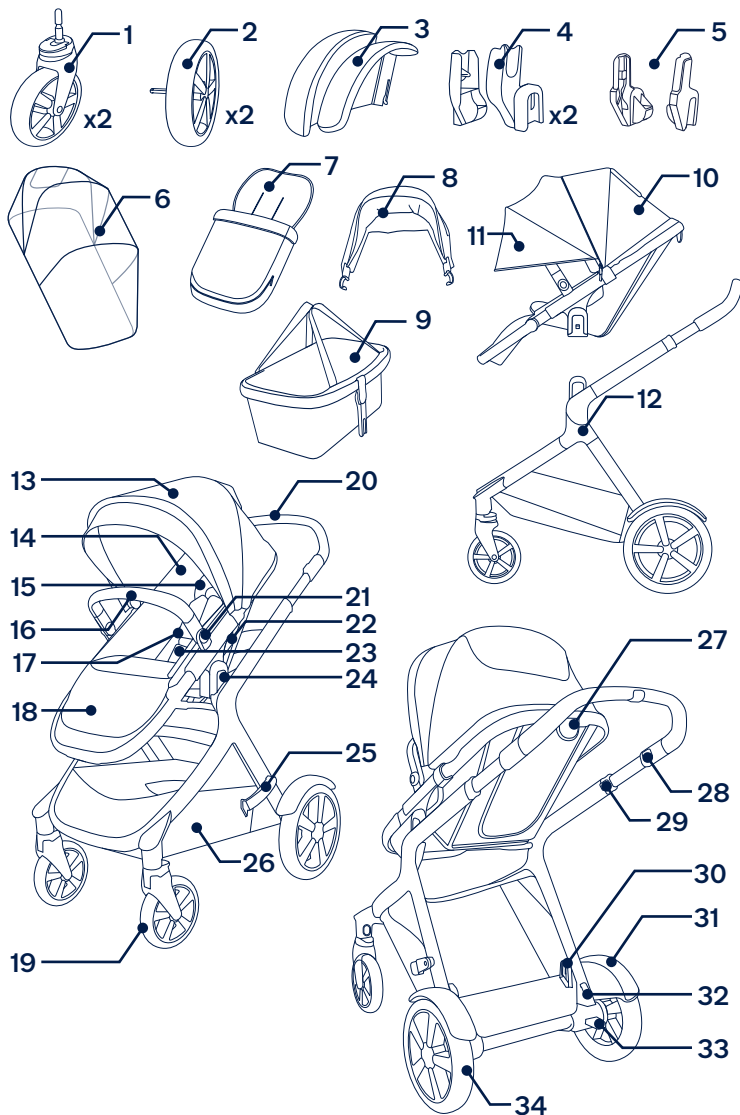
Pri používaní výrobku DEMI grow s dvomi deťmi sa uistite, že sú správne umiestnené len v miestach určených na sedenie.

# Zoznam jednotlivých častí

Pred zostavením skontrolujte, či máte všetky časti. Ak chýba ktorákkoľvek časť, obráťte sa na miestneho predajcu. Na zostavenie nie sú potrebné žiadne nástroje.

**! NEBEZPEČENSTVO ZADUSENIA:** Odstráňte a ihneď zlikvidujte ochranné koncové kryty z každého kolesa a náboja nápravy kolesa.

- |    |   |    |   |
|----|---|----|---|
| 1  | Predné koleso (x2)                                | 19 | Predné koleso                                   |
| 2  | Zadné koleso (x2)                                 | 20 | Rukoväť kočíka                                  |
| 3  | Zadný blatník                                     | 21 | Tlačidlo na nastavenie držadla                  |
| 4  | Pripájacie adaptéry detskej autosedačky (x2)      | 22 | Uvoľňovacie tlačidlo sedačky                    |
| 5  | Pripájacie adaptéry sedačky a prenosnej postielky | 23 | Spona a kryt rozkroku                           |
| 6  | Kryt proti dažďu                                  | 24 | Horný držiak sedačky                            |
| 7  | Nánožník  | 25 | Západka úložného priestoru                      |
| 8  | Textilná strieška                                 | 26 | Úložný košík                                    |
| 9  | Odnímateľný košík                                 | 27 | Tlačidlo na nastavenie sklonu                   |
| 10 | Sedačka kočíka/ súrodenecká sedačka               | 28 | Tlačidlo na nastavenie rukoväte                 |
| 11 | Clona Dream Drape™                                | 29 | Skladacie tlačidlo                              |
| 12 | Rám kočíka  | 30 | Dolný držiak sedačky                            |
| 13 | Textilná strieška                                 | 31 | Zadný blatník                                   |
| 14 | Čalúnenie sedačky                                 | 32 | Voliteľné dvojité odpruženie Nastavovacia páčka |
| 15 | Opierka hlavy                                     | 33 | Brzdová páčka                                   |
| 16 | Držadlo   | 34 | Zadné koleso                                    |
| 17 | Podušky ramenných popruhov                        |    |   |
| 18 | Lýtková opierka                                   |    |   |



# Zostavenie výrobku

## Rozložte kočik

- 1 - Oddelíte západku úložného priestoru od držiaka úložného priestoru. (1)
- 2 - Potom otočte rukoväť kočíka dohora. (2)
- 3 - Zvuk „cvaknutia“ znamená, že je rám kočíka úplne rozložený. (3)  
Pred pokračovaním skontrolujte, či je rám kočíka úplne otvorený so zaistenými západkami.

## Zadné blatníky

Pripojte zadné blatníky pre zdvojený a dvojitý režim.

- 1 - Zasuňte zadný blatník do zadnej nohy. Zvuk „cvaknutia“ znamená, že je blatník úplne zostavený. (4)  
Potiahnutím dohora skontrolujte, či je blatník bezpečne pripevnený.  
Postup zopakujte na opačnej strane.

## Zadné kolesá

- 1 - Zasuňte zadné koleso do zadnej nohy. Zvuk „cvaknutia“ znamená, že je zadné koleso úplne zostavené. (5)  
Potiahnutím smerom von skontrolujte, či je koleso bezpečne pripevnené.  
Postup zopakujte na opačnej strane.
- 2 - Ak chcete vybrať zadné koleso, stlačte uvoľňovacie tlačidlo (6)-1 a odpojte zadné koleso od zadnej nohy (6)-2.

## Predné kolesá

- 1 - Zasuňte predné koleso do prednej nohy. Zvuk „cvaknutia“ znamená, že je koleso úplne zostavené. (7)  
Potiahnutím smerom von skontrolujte, či je koleso bezpečne pripevnené.  
Postup zopakujte na opačnej strane.
- 2 - Ak chcete vybrať predné koleso, stlačte uvoľňovacie tlačidlo (8)-1 a odpojte predné koleso od prednej nohy (8)-2.

## Textilná strieška

- 1 - Pripnite držiak textilnej striešky na sedačku kočíka/súrodeneckú sedačku na každej strane. (9)
- 2 - Zazipsujte textilnú striešku k sedačke kočíka/súrodeneckej sedačke. (10)
- 3 - Ak chcete dať dole textilnú striešku, rozopnite zipsy a vyberte držiaky textilnej striešky. (11)

## Držadlo

- 1 - Zarovnajite konce držadla s držiakmi držadla a zasuňte ho tak, aby zacvaklo na miesto. Zvuk „cvaknutia“ znamená, že je držadlo úplne zostavené. (12)
  - 2 - Ak chcete vybrať držadlo, stlačte uvoľňovacie tlačidlá držadla (13)-1 umiestnené pod čalúnením sedačky a vyberte držadlo. (13)-2
  - 3 - Na dosiahnutie kompaktnejšieho zloženia stlačte nastavovacie tlačidlá držadla (14)-1 a otočte držadlo smerom nadol tak (14)-2, aby zacvaklo na miesto.
- ! Na skladanie používajte len dolnú/úložnú polohu. **NIKDY** túto polohu nepoužívajte s dieťaťom v kočíku.

## Sedačka kočíka/súrodenecká sedačka

Sedačku kočíka/súrodeneckú sedačku možno pripojiť čelom dozadu alebo dopredu.

- 1 - Zarovnajzte boky sedačky kočíka/súrodeneckej sedačky s držiakmi sedačky. Zatláčajte sedačku kočíka/súrodeneckú sedačku priamo nadol tak, aby zacvakla na miesto. Zvuk „cvaknutia“ znamená, že je sedačka kočíka/súrodenecká sedačka úplne zostavená. **(15)**
- 2 - Ak budete chcieť vybrať sedačku kočíka/súrodeneckú sedačku, stlačte uvoľňovacie tlačidlá sedačky **(16)**-1 a nadvihnite sedačku kočíka/súrodeneckú sedačku **(16)**-2.

### Skontrolujte zostavenie

- Rám kočíka otvorený so zaistenými západkami
- Zadné blatníky sú bezpečne pripevnené
- Zadné kolesá sú bezpečne pripevnené
- Predné kolesá sú bezpečne pripevnené
- Sedačka kočíka/súrodenecká sedačka je bezpečne pripevnená
- Držiak textilnej striešky je pripevnený k rámu kočíka a textilná strieška je prízipsovaná k čalúneniu sedačky

## Používanie výrobku

### Zaistenie dieťaťa

- 1 - Stlačte stredné tlačidlo na sponu, aby ste uvoľnili západku spony, vyberte upevňovacie prvky a vložte dieťa do kočíka. **(17)**
- 2 - Spojte ramennú sponu a bedrovú sponu. **(18)**
- 3 - Zaistite ramennú sponu a bedrovú sponu do západky spony a zopakujte to na opačnej strane. **(19)**
- 4 - Popruhy nasadte pohodlne na dieťa posunutím dolných nastavovacích spôn (umiestnených pod krytmi popruhov) nahor **(20)**-1. Potom vytiahnite bedrové nastavovacie remienky. **(20)**-2

### Poloha ramenných popruhov

- 1 - Horné spony ramenných popruhov sa môžu pohybovať nahor a nadol kvôli dodatočnému nastaveniu. **(21)**  
**!** Aby ste predišli vážnemu poraneniu v dôsledku pádu alebo vyklznutia, vždy zaistite dieťa pomocou popruhov. Skontrolujte, či sú popruhy riadne nastavené a dieťa pohodlne zaistené. Medzera medzi dieťaťom a ramennými popruhmi musí byť široká asi na hrúbku jedného prsta. **NEPREKRÍŽTE** ramenné pásy. Spôsobí to tlak na krk dieťaťa.

### Odstránenie podušky ramenného popruhu

Ak chcete odstrániť podušku ramenného popruhu, rozopnite sponu.

- 1 - Zosunite podušku ramenného popruhu smerom nadol zo spony ramenného popruhu. **(22)**

Ak budete chcieť podušku ramenného popruhu pripojiť späť, rozopnite upínacie prvky a prevlečte sponu ramenných popruhov cez vnútornú slučku.

## Textilná strieška

- 1 - Ak chcete rozložiť textilnú striešku, potiahnite ju smerom k prednej časti sedačky a ak ju budete chcieť zložiť, potlačte ju dozadu. (23)
- 2 - Ak chcete použiť clonu Dream Drape™, rozopnite zips na textilnej strieške. (24)
- 3 - Stiahnutím clony Dream Drape™ nadol získate viac tieňa. (25)
- 4 - Ak chcete zvýšiť vetranie, vyklopte kryt otvoru textilnej striešky. (26)

## Rukoväť

Rukoväť má 4 polohy.

- 1 - Ak chcete nastaviť výšku rukoväte, stlačte tlačidlo na nastavenie rukoväte (27)-1 a potiahnite rukoväť nahor alebo nadol (27)-2.

## Lýtková opierka

Lýtková opierka má 2 polohy používania.

- 1 - Ak chcete lýtkovú opierku zvýšiť, zdvihnite ju. Ak chcete lýtkovú opierku znížiť, stlačte nastavovacie tlačidlo v strede lýtkovej opierky (28)-1 a zatlačte nadol (28)-2.

## Sklon

- 1 - Operadlo má 3 polohy sklonu. (29)
- 2 - Ak chcete operadlo zvýšiť alebo znížiť, stlačte tlačidlo na nastavenie sklonu a potiahnite sedačku nahor alebo nadol. (30)

## Čalúnenie sedačky

V studenom počasí používajte zimné čalúnenie sedačky, aby bol k dispozícii pohodlný priestor na sedenie. Zimné čalúnenie sedačky možno vybrať, aby bol k dispozícii sieťový priestor na sedenie s lepším vetraním v horúcom počasí.

- 1 - Ak chcete vybrať čalúnenie sedačky, rozopnite popruhy, rozopnite zips okolo čalúnenia sedačky a prevlečte popruhy cez štrbiny čalúnenia sedačky. (31)

! **NEVYBERAJTE** rúrku operadla.

## Brzda

- 1 - Ak chcete zablokovať zadné kolesá, zošliapnite brzdovú páčku. (32)
  - 2 - Ak chcete odblokovať zadné kolesá, nadvihnite brzdovú páčku. (33)
- ! Vždy, keď je kočík odstavený, aktivujte brzdu. Jemne zatlačte na kočík, aby ste sa uistili, že je brzda zatiahnutá.

## Custom Dual Suspension™ (Voliteľné dvojité odpruženie)

Kočík má dva režimy odpruženia. Pri nastavovaní zadného odpruženia sa uistite, že na kočík nepôsobí žiadna záťaž a že sú obe páčky v rovnakej polohe.

- 1 - Na nerovnom teréne vyklopte nastavovaciu páčku nahor (34)-1, aby bolo odpruženie mäkkšie a na hladkom povrchu sklopte nastavovacie páčky nadol (34)-2, aby bolo odpruženie tuhšie.

Pri používaní v dvojitom alebo zdvojenom režime sa odporúča sklopiť nastavovacie páčky nadol.

## Predné zámky otáčania

Na nerovných povrchoch sa odporúča použitie predných zámkov otáčania.

- 1 - Vytiahnite predný zámok otáčania, aby ste zamkli predné koleso smerujúce dopredu. (35)
- 2 - Ak chcete predný zámok otáčania odomknúť, zatlačte ho. (36)

## Zloženie

Pred zložením kočíka nastavte rukoväť do 2. alebo 3. najvyššej polohy a uistite sa, že sú predné zámky otáčania odistené.

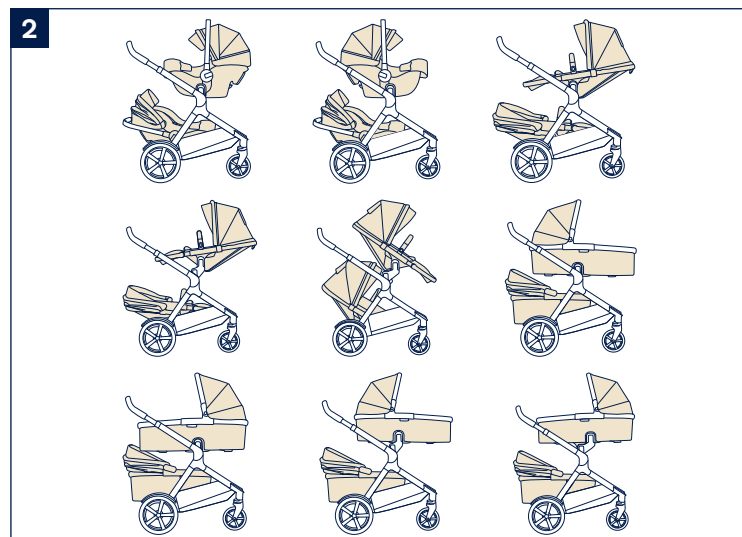
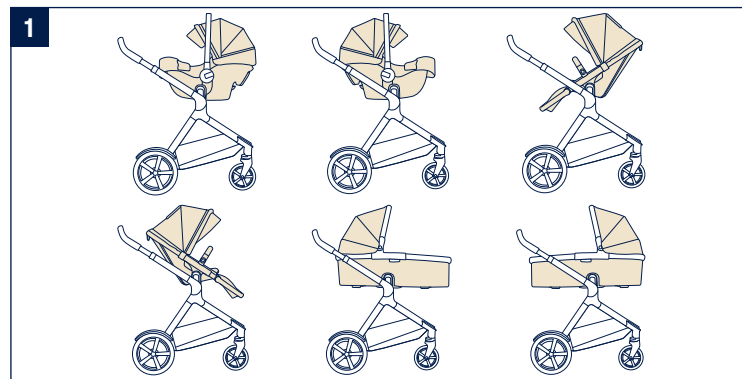
Kočík možno zložiť so sedačkou kočíka/súrodeneckou sedačkou smerujúcou dopredu alebo bez sedačky kočíka/súrodeneckej sedačky.

Pri skladaní so sedačkou umiestnite sedačku do úplne sklopenej polohy, aby bolo zloženie kompaktnjšie.

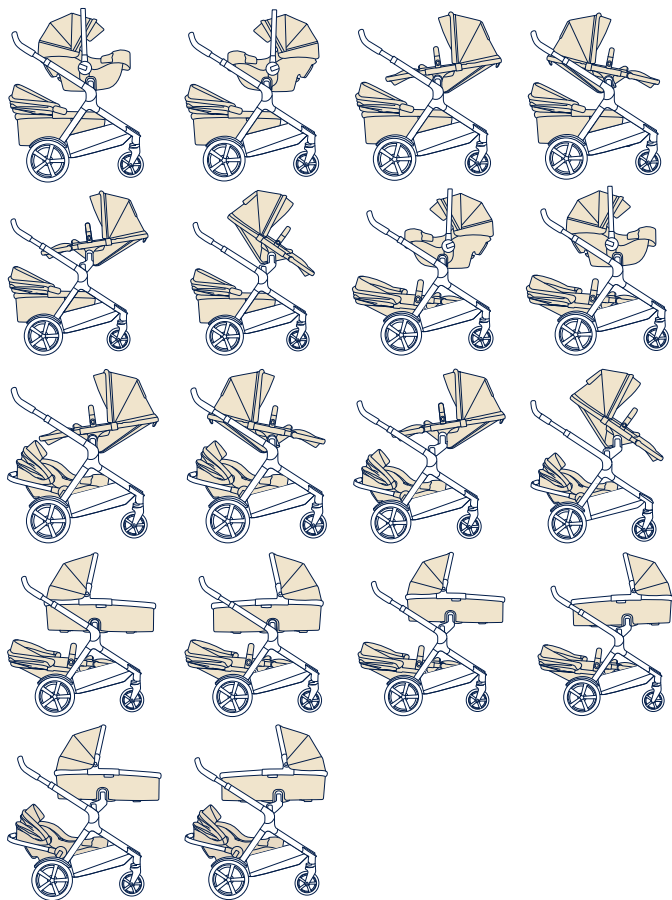
- 1 - Zložte textilnú striešku (37)-1 a otočte západku úložného priestoru smerom von (37)-2.
- 2 - Nadvihnite obe skladacie tlačidlá. (38)
- 3 - Otočte rukoväť nadol a skontrolujte, či je západka úložného priestoru na ráme kočíka zatvorená. (39)
- 4 - Zložte lýtkovú opierku nadol, aby bolo zloženie kompaktnjšie. (40)

## Možnosti sedenia

Rám kočíka DEMI grow možno použiť spolu s detskou sedačkou radu PIPA (s použitím dodaných adaptérov), prenosnou postieľkou DEMI grow a kočíkom/súrodeneckou sedačkou DEMI grow v nasledujúcich kombináciách. Jednoduchá (1), zdvojená(2), dvojitá(3)







## Používanie možností sedenia

Pri používaní rámu kočíka so sedačkou kočíka/súrodeneckou sedačkou, prenosnou postielkou alebo detskou sedačkou zložte textilnú striešku, keď je sedačka kočíka/súrodenecká sedačka, prenosná postielka alebo detská sedačka zostavená na dolnom držiaku.

- ! Niektoré modely neobsahujú všetko príslušenstvo a nie všetky režimy sú dostupné.
- 1 - NEPOUŽÍVAJTE** sedačku kočíka/súrodeneckú sedačku (41)-1, prenosnú postielku (41)-2 alebo detskú sedačku (41)-3 na dolnom držiaku čelom dozadu.
- 2 - NENASTAVUJTE** operadlo sedačky kočíka/súrodeneckej sedačky smerom hore, ak je zostavená na dolnom držiaku a prenosná postielka je zostavená na hornom držiaku. (42)
- 3 - NEZOSTAVUJTE** detskú sedačku na dolnom držiaku, keď detský kôš smeruje čelom dozadu na hornom držiaku bez použitia pripájacích adaptérov sedačky a prenosnej postielky. (43)
- ! Keď je detská sedačka zostavená na dolnom držiaku, je možné zostaviť prenosnú postielku na hornom držiaku pomocou adaptérov sedačky a prenosnej postielky.
- 4 -** Keď je detská sedačka zostavená na dolnom držiaku, **NENASTAVUJTE** rukoväť detskej sedačky do vertikálnej polohy. (44)
- ! Pri používaní súrodeneckej sedačky naraz na hornom aj dolnom držiaku a oboch čelom dopredu použite Pripájacie adaptéry sedačky a prenosnej postielky (Zoznam jednotlivých častí č. 5)

# Príslušenstvo

! Pri niektorých modeloch sa nedodáva všetko príslušenstvo ako ich súčasť.

## Sedačka kočíka/súrodenecká sedačka DEMI grow

Pri inštalácii sedačky kočíka/súrodeneckej sedačky do dolného držiaka zložte textilnú striešku, nastavte lýtkovú opierku do najvyššej polohy a zložte zadný panel košíka kočíka smerom dopredu.

**1** - Ak chcete pripevniť sedačku kočíka/súrodeneckú sedačku, zarovnajzte boky sedačky kočíka/súrodeneckej sedačky s držiakmi sedačky. **(45)**

Zatlačte sedačku kočíka/súrodeneckú sedačku priamo nadol tak, aby zacvakla na miesto. Zvuk „cvaknutia“ znamená, že je sedačka kočíka/súrodenecká sedačka pripevnená. **(45)**

! Pred zložením kočíka vyberte sedačku kočíka/súrodeneckú sedačku z dolného držiaka.

! Pri používaní horného aj dolného držiaka naraz a oboch čelom dopredu použite pripájacie adaptéry sedačky a prenosnej postielky.

## Prenosná postielka DEMI grow

Informácie o zostavení a používaní prenosnej postielky nájdete v návode na použitie prenosnej postielky.

Pri inštalácii prenosnej postielky do dolného držiaka zložte textilnú striešku.

**1** - Ak chcete pripevniť prenosnú postielku, zarovnajzte boky prenosnej postielky s držiakmi sedačky. **(46)**

Zatlačte prenosnú postielku priamo nadol tak, aby zacvakla na miesto.

Zvuk „cvaknutia“ znamená, že je prenosná postielka pripevnená. **(46)**

**2** - Prenosná postielka sa môže do horného držiaka nainštalovať čelom dozadu alebo dopredu. **(47)**

**3** - Ak chcete prenosnú postielku vybrať, zatlačte na uvoľňovacie tlačidlá prenosnej postielky **(48)**-1 a zdvihnite ju **(48)**-2.

! Pred zložením kočíka vyberte prenosnú postielku.

## Odnímateľný košík kočíka DEMI grow

Pred montážou odnímateľného košíka zložte zadný panel košíka smerom dopredu.

**1** - Otočte podpery na oboch stranách odnímateľného košíka smerom nadol a zasuňte ich do držiakov. **(49)**

! Pri montáži dávajte pozor na smer odnímateľného košíka, zvuk cvaknutia znamená, že je odnímateľný košík zostavený správne. **(49)**

**2** - Zodvihnutím vyberte odnímateľný košík. **(50)**

## Kryt sedačky kočíka/súrodeneckej sedačky DEMI grow proti dažďu

Kryt kočíka proti dažďu na sedačke kočíka/súrodeneckej sedačke používajte len v hornom držiaku. **(51)**

**1** - Ak chcete zostaviť kryt proti dažďu, umiestnite ho nad sedačku kočíka/súrodeneckú sedačku.

! Keď je kryt proti dažďu na výrobku, **VŽDY** skontrolujte vetranie.

Pred zložením **VŽDY** skontrolujte, či je kryt proti dažďu vyčistený a vysušený.

**NESKLADAJTE** kočík s namontovaným krytom proti dažďu.

V horúcom počasí **NEDÁVAJTE** svoje dieťa do kočíka s namontovaným krytom proti dažďu.

## Nánožník k sedačke kočiaka/ súrodeneckej sedačke DEMI grow

- 1 - Na dosiahnutie jednoduchšej montáže nánožníka dajte dole držadlo, rozopnite popruhy a vyberte podušky ramenných popruhov, rozkrokové podušky a opierku hlavy. (52)
- 2 - Pred umiestnením nánožníka na sedačku kočiaka/súrodeneckú sedačku rozzipsujte predný kryt na nánožníku. (53)
- 3 - Umiestnite nánožník na sedačku kočiaka/súrodeneckú sedačku a pretiahnite ramenné popruhy a spony cez otvory na nánožníku. (54) Nasadte späť podušky ramenných popruhov, rozkrokové podušky a opierku hlavy a pripevnite držadlo.
- 4 - Zazipsujte predný kryt nánožníka. (55)
- 5 - Preložte chlopňu nánožníka cez držadlo kočiaka. (56)

## Pripájacie adaptéry detskej autosedačky

Informácie o zostavení a používaní detskej sedačky nájdete v návode na použitie detskej sedačky.

Pri inštalácii detskej autosedačky do dolného držiaka zložte textilnú striešku.

- 1 - Ak chcete pripevniť pripájacie adaptéry detskej autosedačky, umiestnite pripájacie adaptéry detskej autosedačky na držiaky sedačky. Zvuk „cvaknutia“ znamená, že sú pripájacie adaptéry detskej autosedačky pripevnené. (57)
- 2 - Aby ste pripevnili detskú sedačku, položte ju na pripájacie adaptéry detskej autosedačky. Zvuk „cvaknutia“ znamená, že je detská sedačka pripevnená. (58)

- 3 - Ak chcete vybrať detskú sedačku, stlačte uvoľňovacie tlačidlá kočiaka na detskej sedačke (59)-1 a zdvihnite ju (59)-2.
- 4 - Ak chcete vybrať pripájacie adaptéry detskej autosedačky, potiahnite uvoľňovacie tlačidlá adaptéra (60)-1 a zdvihnite ich (60)-2.
- 5 - Pripájacie adaptéry detskej autosedačky možno pripevniť čelom dozadu (61)-1 alebo čelom dopredu (61)-2 v hornom držiaku.  
! Pred zložením vyberte detskú sedačku.

## Pripájacie adaptéry sedačky a prenosnej postielky

- ! Pripájacie adaptéry sedačky a prenosnej postielky možno montovať len na horný držiak.
- ! Pri používaní horného aj dolného držiaka naraz a oboch čelom dopredu použite pripájacie adaptéry sedačky a prenosnej postielky.
- 1 - Ak chcete pripevniť pripájacie adaptéry sedačky a prenosnej postielky, umiestnite ich na držiaky, ako je zobrazené na obrázku (62). Zvuk „cvaknutia“ znamená, že sú pripájacie adaptéry sedačky a prenosnej postielky zaistené. (63)  
! Správne použitie pripájacích adaptérov sedačky a prenosnej postielky je zobrazené na obrázku (64).
- 2 - Ak chcete pripevniť prenosnú postielku k pripájacím adaptérom sedačky a prenosnej postielky, položte prenosnú postielku na pripájacie adaptéry sedačky a prenosnej postielky. Zvuk „cvaknutia“ znamená, že je prenosná postielka zaistená. (65)  
! Nepoužívajte prenosnú postielku na hornej sedačke, keď je operadlo dolnej sedačky vo vertikálnej polohe.

- 3** - Ak chcete pripevniť sedačku k pripájacím adaptérom sedačky a prenosnej postieľky, položte sedačku na pripájacie adaptéry sedačky a prenosnej postieľky. Zvuk „cvaknutia“ znamená, že je sedačka zaistená. **(66)**
  - 4** - Ak chcete prenosnú postieľku vybrať, zatlačte na uvoľňovacie tlačidlá prenosnej postieľky **(48)-1** a zdvihnite ju **(48)-2**.
  - 5** - Ak budete chcieť vybrať sedačku, stlačte uvoľňovacie tlačidlá sedačky **(16)-1** a nadvihnite sedačku **(16)-2**.
  - 6** - Ak budete chcieť vybrať pripájacie adaptéry sedačky a prenosnej postieľky, zdvihnite pripájacie adaptéry sedačky a prenosnej postieľky nahor **(67)-2**, pričom zároveň potiahnite uvoľňovacie tlačidlá. **(67)-1**
- !** Pred zložením vyberte sedačku a prenosnú postieľku.

## Čistenie a údržba

Očistite rám, plastové časti a textil vlhkou handričkou, ale nepoužívajte brúsne čistiace prostriedky ani bielicidlo. Nepoužívajte silikónové mazivá, pretože viažu na seba nečistoty a špinu. Neskladujte kočík na vlhkom mieste.

Pravidelne čistite kolesá kočíka vodou a odstráňte všetku špinu.

Aby ste zaistili dlhodobé používanie, po použití v daždivom počasí utrite tento výrobok mäkkou absorpčnou handričkou.

Pozrite si štítky s návodom na ošetrovanie, ktoré sú pripevnené k mäkkým textíliám, a kde sú uvedené pokyny na umývanie a sušenie.

Je normálne, že sa farba textilu zmení pôsobením slnečného žiarenia a po dlhom používaní bude vykazovať opotrebovanie aj pri normálnom používaní.

Z bezpečnostných dôvodov používajte len originálne diely od spoločnosti Nuna.

Pravidelne kontrolujte, či všetko funguje ako má. Ak sú ktorékoľvek časti roztrhnuté, zlomené alebo chýbajú, prestaňte tento výrobok používať.

**중요합니다 !**  
**사용 설명서를 미래에볼**  
**수 있도록 간직하세요!**  
**자세하게읽어 주세요**

## 목차

제품 정보	
제품 등록	262
품질 보증	262
연락처	262
아이 사용 연령 기간	263
경고	264
부품 리스트	268
제품 설치	270
제품 사용법	273
좌석 옵션	277
액세서리	
데미 그로우 유모차/추가 시트	280
데미 그로우 캐리콧	280
데미그로우 유모차 분리 가능 장바구니	281
데미그로우 유모차/추가 시트 레인 커버	281
데미그로우 유모차/추가 시트 풋머프	281
신생아 카시트 어댑터	282
시트 & 캐리콧 어댑터	283
청소와 관리	284

## 제품 정보

모델 번호: \_\_\_\_\_

제조일자: \_\_\_\_\_

### 제품 등록

위의 정보를 적어주세요. 모델번호와 제조날짜는 유모차 차체 아래 부분에 위치한 라벨에 있습니다.

제품 등록을 원하시면 이곳을 방문해 주십시오:

한국 : <http://service.aone.co.kr/membership>

### 품질 보증

우리는 고품질의 제품들을 당신과 당신의 가족과 함께자랄 수 있도록 의도적으로 디자인 하였습니다. 우리는 저희의 제품들을 믿기 때문에, 제품마다 품질 보증을 받으실 수 있으며, 제품을 구매하신 날부터 시작 됩니다. 제품 구매 기록을 남겨주세요, 저희에게 연락을 주실 때 모델 번호와 제조 날짜를 미리 준비해 주세요.

품질 보증과 관련된 정보를 얻으시려면 이곳을 방문해 주십시오

한국 : <http://service.aone.co.kr/product>

### 연락처

부품 교체, 서비스, 또는 추가적인 품질보증 관련 질문이 있으시면, 고객센터에 연락 부탁드립니다.

한국 내

고객센터 : 1800-8561

<http://service.aone.co.kr>

AS 센터: 031-318-1008

## 아이 사용 연령 기간

유모차/추가 시트는 다음 연령의 아이가 사용가능합니다:

아이: 최소 생후 6개월

이후몸무게: 최대 15 kg (33 lb)

키: 114.3 cm (45 in.)

생후 6개월 이하의 어린이에게는 사용을 권장하지 않습니다.

유모차 차체를 캐리콧이나 신생아 시트와 같이사용시, 사용 설명서에 나와있는 사용 연령 기간을 참고 하시기 바랍니다

## ⚠ 경고

다음 경고와 지시사항을 따르지 않으면 심각한 부상이나 죽음을 초래할 수 있습니다.

아이의 안전은 당신의 책임입니다. 절대로 아이를 방치하지 마십시오.

질식의 위험이 있기 때문에, 모든 비닐 또는 플라스틱 커버들을 제거하고 버려서 아기들이나 어린이들의 손이 닿지 않게 하세요!

아이들에게 질식의 위험의 요소가 되기 때문에 작은 부품들이 아이들의 손이 닿지 않게 하세요.

뉴나의 정식 부품과 액세서리 만을 사용하세요. 뉴나가 인증하지 않은 부품은 사용하지 않을 것을 권고합니다.

각각의 유모차 시트는 최소 6개월 이상, 최대 15kg (33 lb) 또는 114.3cm (45in.) 까지 사용, 6개월 이하 아이의 사용은 권장하지 않습니다.

유모차가 위험하거나, 안정적이지 못한 상황이 되는 것을 막기 위해, 장바구니에 4.5kg (10lb) 이상의 짐을 올려 사용하지 마십시오.

유모차에 34.5 kg (76 lb) 이상 무게를 사용하면 유모차에 무리가 됩니다.

34.5kg = 15kg + 15kg (상하부 유모차/시트 최대 하중) + 4.5kg (최대 장바구니/분리 가능 바스켓 적재 하중)

과적, 잘못된 폴딩, 그리고 액세서리 사용 (예를 들어 유모차 시트, 유모차 걸이, 레인 커버, 버기 보드, 등 뉴나가 인증하지 않은 액세서리들의 사용)은 고장의 원인이 되거나, 유모차를 손상을 주거나 또는 유모차를 불안정하게 만듭니다

추가 액세서리를 캐노피에 장착하거나, 쇼핑백 또는 가방, 무거운 짐 등을 핸들 바에 걸게 되면 유모차를 불안정하게 만들 수 있습니다.

급회전을 하거나 울퉁불퉁한 지면을 운전할 때는 주의해 주세요. 지속적인 충격은 제품을 손상하게 합니다.

뉴나 정품이 아닌 액세서리 들을 사용하다가 손상이 된 경우는 뉴나에서 품질 보상을 받을 수 없습니다.

사용하기 전에 모든 잠금 장치를 확인 하세요.

고무 타이어는 쪽매 세공, 합판, 리놀륨 등으로 만들어진 부드러운 바닥에서는 자국이 남을 수 있습니다.

안전벨트는 항상 올바르게 조절되어 사용이 되어야 합니다. 그렇지만 안전벨트가 성인의 보호를 대신할 수는 없습니다.

아이를 태우고 내릴 때에는 주차 브레이크를 사용하십시오.

유모차 차체 프레임이 유모차 시트 또는 신생아 시트와 함께 사용이 될 때 침대를 대신할 수는 없습니다. 아이가 잠을 자야 할 경우에는 아기가 잘 수 있는 조건을 가지고 있는 아기 침대로 옮기는 것을 권장합니다.

이 제품은 달리거나 스케이팅용으로 사용하지 못합니다.

유모차와 추가 시트는 6개월 이하의 어린이의 사용을 권장하지 않습니다.

2명의 어린이가 데미 그로우를 사용할 경우, 시트를 사용 가능한 포지션에서 올바르게 장착하십시오.

핸들이나 또는 시트 뒷 부분, 또는 유모차의 옆 부분에 짐을 실을 경우, 유모차의 안정성에 영향을 줄 수 있습니다.

유모차 차체나 시트 또는 카시트 연결 부품들이 올바르게

연결이 되었는지 확인 후 사용하세요.

부상을 방지하기 위해 유모차를 접거나 펼 상황에 아이를

제품에서 멀리 떨어지도록 하세요.

### 손가락 끼임 현상 주의

유모차를 접고 펼 때 주의해 주세요. 아이를 유모차에 앉히기 전에는 제품이 확실히 펼쳐졌는지 확인 해주세요.

### 질식 위험

아이의 목 주위에 부주의로 아이를 질식 시킬 수 있는 물건들이 없도록 해 주세요. (예. 안전벨트를 채우지 않은 어깨 벨트, 장난감에서 나오는 끈 종류 등)

아이에게 항상 안전벨트를 채워주세요.

항상 멈추어 있을 때에는 브레이크를 걸어 놓으세요.

캐노피 위에 다른 물건을 놓지 마세요.

사용설명서에서 확인하지 않은 부분은 사용하지 마세요.

(추가 아이 탑승, 추가 제품 탑재, 추가 액세서리)

이 부분으로 인해서 제품이 불안정하게 될 수 있습니다.

너무 뜨거운 열기 근처에 제품을 두지 마세요.

(예. 히터나 또는 불 등의 화기)

장바구니를 아기 시트로 사용하지 마세요.

이 제품을 습기가 많은 곳에 보관하지 마세요.

항상 원단은 햇빛에 말리고, 열기에서 멀리 하세요.

부품이 손상이 되었거나, 없어진 경우 제품을 사용하지 마세요.

아이가 이 제품을 가지고 놀게 하지 마세요.

유모차를 사용할 때, 하나의 시트에 한 명의 아이를 초과해서 태우지 마세요.

**절대로** 유모차를 계단이나 에스컬레이터에서 사용하지 마세요. 유모차 제어를 하지 못해 아이가 떨어질 수도 있습니다.

**절대로** 아이가 발 받침대 위에 서지 못하게 하세요.

**절대로** 이 유모차로 2명의 아이를 초과해서 태우지 마세요.

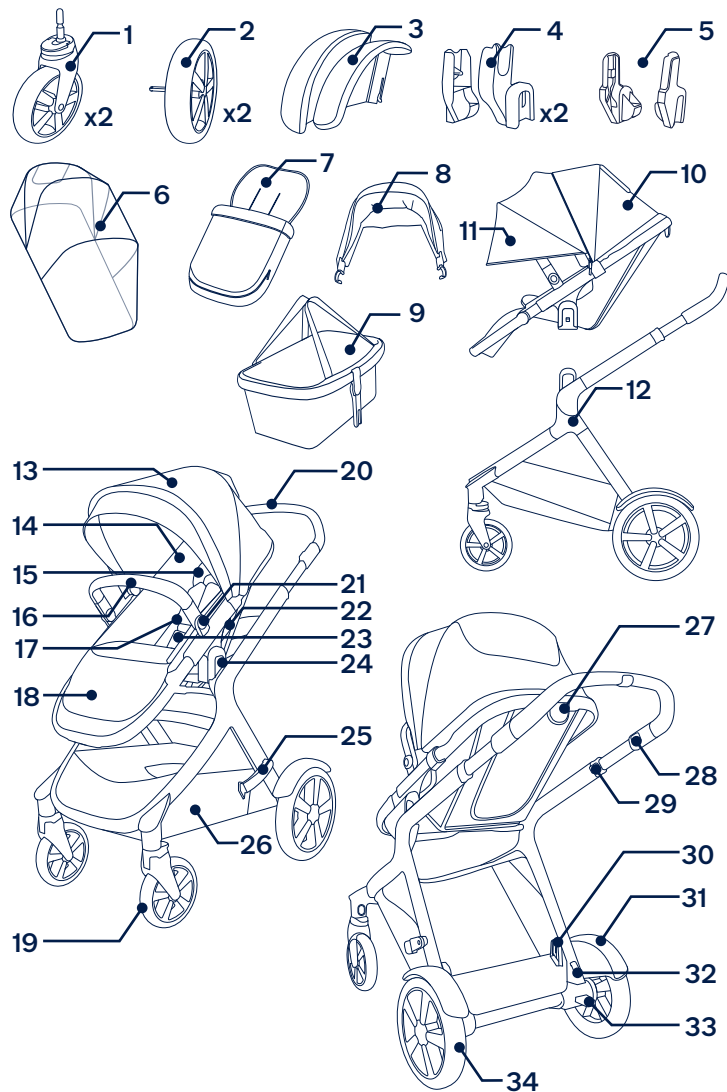


# 부품 리스트

조립하기 전에 모든 부품들이 있는지 확인하십시오. 만약 어떤부품이 없다고 하면, 본사에 연락 하시기 바랍니다. 조립 시에는추가적인 도구가 필요하지 않습니다.

**! 질식 위험:** 바퀴와 바퀴 축에 달린 보호 캡을 분리하여 바로버리십시오.

- |                      |                  |
|----------------------|------------------|
| 1 앞 바퀴(2개)           | 17 어깨벨트패드        |
| 2 뒷 바퀴 (2개)          | 18 발받침대          |
| 3 뒷바퀴 덮개             | 19 앞 바퀴          |
| 4 신생아 카시트용 어댑터 (2개)  | 20 유모차 핸들        |
| 5 시트 & 캐리콧 어댑터       | 21 안전 가드 조절 버튼   |
| 6 레인커버               | 22 시트 분리 버튼      |
| 7 풋머프                | 23 벨트 & 가랑이 커버   |
| 8 캐노피                | 24 위쪽 시트 연결 부위   |
| 9 분리 가능 바스켓          | 25 장바구니 래치       |
| 10 유모차/추가 시트         | 26 장바구니          |
| 11 유모차 캐노피 (드림 드레이프) | 27 등받이 조절 버튼     |
| 12 유모차 차체            | 28 핸들 조절 버튼      |
| 13 캐노피               | 29 폴딩 버튼         |
| 14 시트 패드             | 30 아래쪽 시트 연결 부위  |
| 15 머리 보호대            | 31 뒷바퀴 덮개        |
| 16 안전 가드             | 32 듀얼 서스펜션 노출 부위 |
|                      | 33 브레이크 레버       |
|                      | 34 뒷 바퀴          |



# 제품 설치

## 유모차 열기

- 1- 장바구니 래치 부분을 장 바구니 연결부분에서 분리 한다. (1)
- 2- 그리고, 유모차 핸들을 돌려 올린다. (2)
- 3- ‘딸깍’ 소리가 나면 유모차 프레임이 완전하게 열렸다는 것이다. (3)

유모차 차체가 완전하게 열렸는지 확인한다.

## 뒷바퀴 덮개

쌍둥이나 더블 모드 사용시 뒷바퀴 덮개를 붙인다.

- 1- 뒷 바퀴 덮개를 뒷다리 부분에 끼운다. ‘딸깍’ 소리가 나면 완전하게 설치된 것이다. (4)  
 덮개가 완전하게 연결 되었는지 당겨본다.  
 다른 쪽 부분도 같은 방법으로 설치 한다.

## 뒷 바퀴

- 1- 뒷다리 부분에 뒷 바퀴를 연결한다. ‘딸깍’ 소리가 나면 완전하게 설치되었다는 것이다. (5) 완전하게 연결이 되었는지 당겨서 확인한다.  
 다른 쪽 부분도 같은 방법으로 설치한다.
- 2- 뒷 바퀴 연결 해지를 원하면, 해지 버튼을 누르고 (6)-1 뒷다리부분에서 뒷 바퀴 연결을 해지한다. (6)-2.

## 앞 바퀴

- 1- 앞바퀴를 앞다리부분에 넣는다. ‘딸깍’ 소리가 나면 완전하게 설치되었다는 것이다. (7)  
 확실하게 연결이 되었는지 당겨서 확인해본다. 다른 쪽 부분도 같은 방법으로 설치 한다.
- 2- 앞 바퀴 해지를 원하면, 해지 버튼을 누른다. (8)-1 그리고 앞 바퀴를 앞다리 부분에서 연결을 해지한다.

## 캐노피

- 1- 캐노피를 유모차 시트 양쪽 연결 부분에 연결한다. (9)
- 2- 캐노피와 유모차 시트를 지퍼로 연결한다. (10)
- 3- 캐노피를 분리하려면, 지퍼를 열고, 캐노피 연결부분에서 분리한다. (11)

## 안전 가드

- 1- 안전 가드 끝부분을 안전 가드 연결 부분에 맞추어 연결한다. ‘딸깍’ 소리가 나면 완전하게 설치된 것이다. (12)
- 2- 안전 가드를 분리할 때, 안전 가드 분리 버튼을 누르고 (13)-1 시트 아래 부분에 위치함, 그리고 안전 가드를 분리한다. (13)-2
- 3- 조금 더 작게 접기 위해서, 안전 가드 조절 버튼을 누르고 (14)-1 안전가드를 아래쪽으로 돌리는데 (14)-2 연결될 때 까지 돌린다.  
 ! 안전 가드 아래쪽으로 돌리는 것은 유모차를 접을 때에만 사용한다. 절대로 아이를 태우고 이 포지션을 사용하지 마시오.

## 유모차/추가 시트

유모차/추가 시트는 뒤 보기 또는 앞 보기가 가능하다.

- 1- 유모차/추가 시트를 시트 연결부위에 맞추어 올린다. 유모차/추가 시트를 아래 방향으로 설치 될 때까지 끼어 준다. ‘딸깍’ 소리가 나면 유모차/추가 시트가 완전하게 설치가 된 것이다. (15)
- 2- 유모차/추가 시트를 분리하려면, 시트 분리 버튼을 누르고 (16)-1 유모차/추가 시트를 위로 올린다 (16)-2.

### 설치 확인

- 유모차 차체가 완전히 펼쳐졌는지
- 뒷 바퀴 덮개 부분이 제대로 설치 되었는지
- 뒷 바퀴가 제대로 연결 되었는지
- 앞 바퀴가 제대로 연결 되었는지
- 유모차/추가 시트가 완전히 연결 되었는지
- 캐노피 연결 부분이 유모차 프레임과 완전히 연결이 되고, 시트 패드와 지퍼로 제대로 연결이 되었는지

## 제품 사용법

### 아이를 보호하세요

- 1- 가운데 부분 버튼을 눌러 안전벨트 연결 부분을 열어주고, 클립을 제거하고 아이를 유모차에 태운다. (17)
- 2- 어깨 벨트 부분 그리고 엉덩이 벨트 부분을 연결한다. (18)
- 3- 어깨 벨트 부분과 엉덩이 벨트 부분을 안전 벨트 연결 부분에 연결하고 반대 부분도 같은 방식으로 연결한다. (19)
- 4- 어깨 벨트 부분을 아이 사이즈에 맞추어 조절한다(어깨 커버아래 쪽에 위치함) (20)-1. 그리고 엉덩이 조절 부분도 조절한다. (20)-2

### 어깨 벨트 포지션

- 1- 윗 부분 어깨 벨트 버클은 위 또는 아래로 조절 가능합니다. (21)

! 낙상으로 인한 심한 부상을 방지하기 위해, 항상 아이는 벨트를 착용해야 합니다.

아이와 어깨 벨트 사이의 간격은 손가락한 개 정도가 적합합니다.

어깨 벨트를 엇갈려 매지 마십시오. 이로 인해 아이의 목을 조를 수 있습니다.

### 어깨 벨트 제거

어깨 벨트 커버를 제거하기 위해, 버클을 열어 주십시오.

- 1- 어깨 벨트 커버를 어깨 벨트 부분에서 아래 방향으로 빼 주십시오. (22)

어깨 벨트 커버를 다시 설치하기 위해, 연결 부위를 분리하고 어깨 벨트를 안쪽으로 연결하십시오.

## 캐노피

- 1- 캐노피를 열려면, 캐노피를 시트 앞쪽 방향으로 당기고, 접으려면, 뒤로 당깁니다. (23)
- 2- 드림 드레이프™를 사용하려면 캐노피에 붙어 있는 지퍼를 열어줍니다. (24)
- 3- 드림 드레이프™를 사용하여 햇빛을 가려줍니다. (25)
- 4- 추가적인 통풍이 필요하면, 캐노피 창의 커버를 열어줍니다. (26)

## 핸들

핸들은 4개의 높이 조절이 가능합니다.

- 1- 핸들 높이를 조절하려면, 핸들 조절 버튼을 누르고 (27)-1 핸들을 위로 올리거나 아래로 내립니다 (27)-2.

## 발받침

발받침에는 2 가지 포지션이 있습니다.

- 1- 발받침을 올리려면, 위로 올리면 됩니다. 발받침을 아래로 내리려면, 발받침중앙 부분에 있는 조절 버튼을 누르십시오 (28)-1, 그리고 아래로 내립니다 (28)-2.

## 등받이

- 1- 등받이의 경우 3단계 조절이 가능합니다. (29)
- 2- 등받이를 높이거나 아래로 내리려면, 등받이 조절 버튼을 누르시고, 시트를 올리거나 아래로 내리세요. (30)

## 시트 패드

추운 겨울에는 겨울용 시트 패드를 사용하셔서 안락한 시트를 만들어 주십시오. 겨울용 시트 패드는 시트에서 분리가 가능해서 더운 여름 날씨에 통풍이 좋은 메시 소재로 된 시트가 됩니다.

- 1- 시트 패드를 제거하려면, 어깨 벨트를 해제하고, 시트 패드주위에 있는 지퍼로 열고 시트 패드 구멍을 통해 연결합니다. (31)

! 시트 등받이 부분 튜브를 제거하지 마세요.

## 브레이크

- 1- 뒷바퀴를 고정하기 위해서는, 브레이크 레버를 내리십시오. (32)
- 2- 뒷바퀴 고정을 풀기 위해서는, 브레이크 레버를 올리십시오. (33)

! 유모차가 멈추었을 때에는 항상 브레이크를 사용하십시오. 브레이크가 걸렸는지 확인 하기 위해 유모차를 살짝 밀어 보십시오

## 듀얼 서스펜션 TM

유모차는 두가지 서스펜션 모드를 가지고 있습니다. 뒷부분 서스펜션을 조절할 때 유모차에 짐을 올리지 마시고 두 개의 레버가 같은 포지션에 있어야 합니다.

- 1- 울퉁불퉁한 도로에서 주행하거나 부드러운 서스펜션을 원하시면 조절 레버를 위로 올리시고 (34)-1 부드러운 도로에서 주행하거나 다소 뻑뻑한 서스펜션을 원하시면 레버를 아래로 내리세요. (34)-2

더블 시트 또는 쌍둥이 시트를 사용할 때는 조절 레버 부분을 아래로 놓고 사용하시는 것을 권장합니다.

## 앞 바퀴 고정 장치

앞 바퀴 고정 장치는 울퉁불퉁한 도로를 주행할 때 사용하시는 것을 권장합니다.

- 1- 앞 바퀴가 앞 쪽으로 향해 있을 때, 앞 바퀴 고정 장치를 위로 당겨서 앞 바퀴를 고정하십시오. **(35)**
- 2- 앞 바퀴 고정 장치를 아래로 눌러 고정 장치를 풀어 주십시오. **(36)**

## 접기

유모차를 접기 전에, 핸들을 2번째나 3번째 높이 위치로 변경하고 앞 바퀴 고정 장치가 고정 되지 않았는지 확인 하세요.

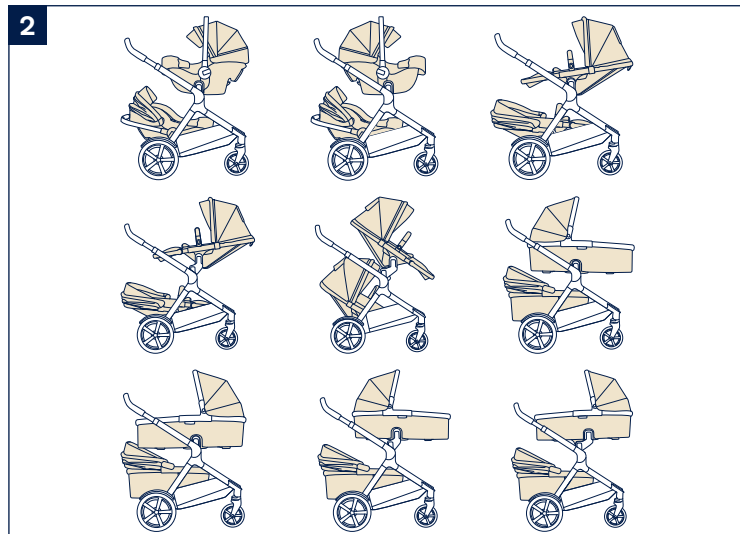
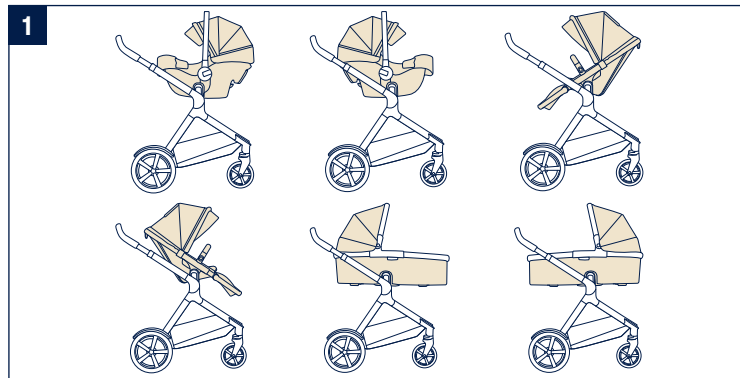
유모차는 유모차/추가 시트가 전방 장착 또는 유모차/추가 시트 없이 접기가 가능합니다. 시트와 같이 접기를 원하시면, 시트를 가장 눕혀서 작게 접을 수 있습니다.

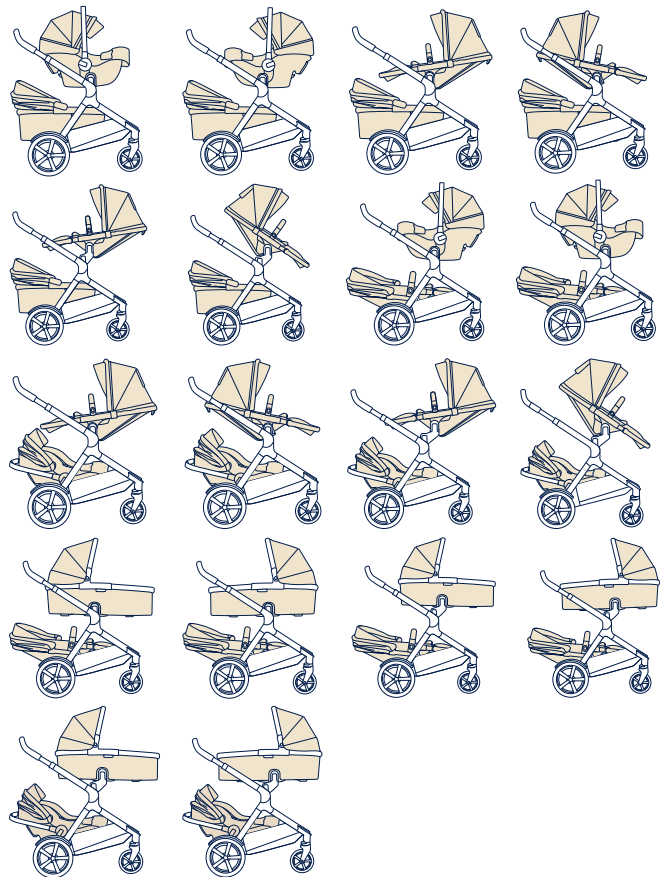
- 1- 캐노피를 접고 **(37)-1**, 장바구니 래치를 꺼냅니다 **(37)-2**.
- 2- 폴딩 버튼을 들어 줍니다. **(38)**
- 3- 핸들을 돌려서 아래쪽으로 향하게 하고 장바구니 래치가 유모차 차체에 닫히도록 합니다. **(39)**
- 4- 발받침부분을 아래쪽으로 향하게 하면 더 작게 접힙니다. **(40)**

## 좌석 옵션

데미그로우 유모차 차체는 피파 시리즈 신생아 카시트와 같이 사용 가능합니다. 데미그로우 캐리콧과 데미그로우 유모차/추가시트는 다음과 같은 옵션으로 사용 가능합니다.

싱글 **(1)**, 트윈 **(2)**, 더블 **(3)**





## 시트 옵션 사용

유모차 차체를 유모차/추가 시트, 캐리콧, 또는 인펀트 카시트를 시트 아래쪽에서 사용할 경우 캐노피를 접으세요.

! 모든 악세서리들이 몇 개의 모델에는 포함이 되어 있지 않고, 모든 모드를 사용할 수는 없습니다.

- 1- 유모차/추가 시트 (41)-1, 캐리콧(41) 또는 신생아 카시트 (41)-3 를 아래쪽으로 연결하여 사용하지 마세요.
- 2- 캐리콧(42)이 윗부분에 연결되어 있을 때, 또는 유모차/추가 시트가 아래부분에 연결되어 있을 때 등받이 부분을 조절하지 마세요.
- 3- 캐리콧이 윗 부분에서 뒤보기 방향으로 연결 되어 있을 때, 시트와 캐리콧연결 어댑터가 없이 아래 부분에 신생아 카시트를 연결 하지 마세요. (43)
- ! 인펀트 카시트가 아래부분에 연결 되어 있을 때, 캐리콧은 윗 부분에 시트와 캐리콧 연결 어댑터와 함께 연결 해야 합니다.
- 4- 인펀트 카시트가 아래 부분에 연결이 되어 있을 경우 (44)
- ! 인펀트 카시트 핸들을 직각 포지션으로 조절하지 마세요. 시트와 캐리콧 어댑터(부품 리스트#5)를 사용하여 추가 시트를 위 부분과 아래 부분에 동시에 사용하시고 앞 보기 모드를 사용하세요.

## 엑세서리

! 모든 엑세서리가 포함되어 있지는 않습니다

### 데미 그로우 유모차/추가 시트

유모차/추가 시트를 아래 부분에 설치 할 때, 캐노피를 접고 발받이 부분을 가장 높은 포지션으로 조절합니다. 그리고 뒤 패널 유모차 장바구니를 앞으로 밀어줍니다.

- 1- 유모차/추가 시트를 설치하려면, 유모차/추가시트와 연결 부위의 위치를 확인합니다. (45)  
유모차/추가 시트를 연결부위에 맞추어 아래쪽으로 내리며, ‘딸깍’ 소리가 나도록 연결하여 줍니다. (45)  
! 유모차를 접기 전에 유모차/추가 시트를 아래 연결 부분에서 분리한다.  
! 유모차 위 부분과 아래 부분을 전부 사용할 때, 시트 & 캐리콧 어댑터는 위 부분에서만 사용하시면 되며, 두 부분 모두 앞보기 모드 사용시에는 반드시 어댑터를 사용하여야 하며, 상부시트를 뒤보기 모드 사용시에도 어댑터 사용할 것을 권장합니다.

### 데미 그로우 캐리콧

캐리콧 설치와 사용에 있어서, 캐리콧 사용 설명서를 참조하세요.  
캐리콧을 아래 연결부위에 설치할 때, 캐노피를접으세요.

- 1- 캐리콧을 설치할 때, 캐리콧과 시트 연결 부위의 위치를 확인 하세요. (46)  
캐리콧을 아래 방향으로 밀어 넣어 연결 하세요.  
‘딸깍’ 소리가 난다면 연결이 된 것 입니다. (46)
  - 2- 캐리콧을 위 부분에 연결 할 때, 뒤 보기 또는 앞 보기로 사용 가능합니다. (47)
- ※ 상부에 캐리콧을 연결할 때 어댑터를 사용하세요.

- 3- 캐리콧을 분리할 때, 캐리콧 해제 버튼 (48)-1 을 누르고 캐리콧을 위로 올린다 (48)-2. 유모차를 접기 전에 캐리콧을 분리한다.

### 데미그로우 유모차 분리 가능 장바구니

분리 가능한 장바구니를 설치하기 전에, 장바구니 뒷부분 패널을 앞으로 밀어 접는다.

- 1- 분리 가능한 장바구니 양쪽의 지지대를 아래 방향으로 바꾸고, 연결 부위에 놓는다. (49)  
! 설치할 때 분리 가능한 장바구니의 방향을 주의하세요, 분리 가능한 장바구니가 올바르게 연결이 되면 연결 소리가 납니다. (49)
- 2- 분리 가능한 장바구니를 위로 올려 분리하세요. (50)

### 데미그로우 유모차/추가 시트 레인 커버

유모차 레인 커버를 유모차/추가 시트 위 부분에서만 사용가능 합니다. (51)

- 1- 레인 커버를 설치 할 때, 유모차/추가 시트 위에 올려 놓는다.  
! 레인 커버를 연결했을 시, 항상 통풍이 되는지 확인합니다.  
레인 커버를 접기 전에 항상 레인 커버가 청소되고 건조가 되었는지 확인 합니다.

레인 커버를 씌운 상태에서 유모차를 접지 **마세요**.

더운 날씨에 레인 커버를 씌운 상태에서 아이를 태우지 **마세요**.

### 데미그로우 유모차/추가 시트 풋머프

- 1- 풋머프를 간편하게 설치하려면, 안전 가드를 분리하고, 안전 벨트를 풀고 어깨 벨트 패드, 가랑이 패드, 그리고 머리 지지대를 분리 하세요. (52)

- 2 - 풋머프를 유모차/추가 시트에 사용하기 전, 풋머프의 상단 커버를 지퍼로 열어 줍니다. (53)
- 3 - 풋머프를 유모차/추가 시트에 놓고 풋머프 안전벨트 구멍을 통해 안전벨트를 연결합니다. (54) 어깨 벨트 패드, 가랑이 패드, 그리고 머리 지지대를 다시 연결하고 안전 가드를 설치합니다.
- 4 - 풋머프 상단 커버를 지퍼로 닫아 줍니다. (55)
- 5 - 풋머프 상단 연결 부분을 유모차 안전 가드와 연결해 줍니다. (56)

## 신생아 카시트 어댑터

신생아 카시트를 사용하려면, 신생아 카시트 사용 설명서를 참조하세요.

신생아 카시트를 아래 부분에 연결 하려면, 캐노피를 접으세요.

- 1 - 신생아 카시트 어댑터를 연결 하려면, 신생아 카시트를 시트 연결 부위에 연결 합니다. ‘딸깍’ 소리가 나면 신생아 카시트 연결 어댑터가 연결 되었다는 겁니다. (57)
  - 2 - 신생아 카시트를 연결 하려면, 신생아 카시트를 신생아 카시트 어댑터 위로 연결합니다. ‘딸깍’ 소리가 나면 신생아 카시트가 연결 되었다는 겁니다. (58)
  - 3 - 신생아 카시트를 분리하려면, 신생아 카시트의 유모차 해제 버튼을 (59)-1 누르고 위로 올려서 분리합니다 (59)-2.
  - 4 - 신생아 카시트 어댑터를 분리하려면, 어댑터 해제 버튼 (60)-1을 누르고 위로 올려서 분리합니다 (60)-2.
  - 5 - 유모차 위 부분에 연결하여 신생아 카시트 어댑터를 사용해 신생아 카시트를 앞 보기 (61)-1 또는 뒤 보기 (61)-2 를 사용할 수 있습니다.
- ! 접기 전에는 신생아 카시트를 분리 하세요.

## 시트 & 캐리콧 어댑터

- ! 시트 & 캐리콧 어댑터는 유모차 위 부분에 연결하여 사용 가능합니다.
- ! 유모차 위 부분과 아래 부분을 전부 사용할 때, 시트 & 캐리콧 어댑터는 위 부분에서만 사용하시면 되며, 두 부분 모두 앞 보기 모드 사용시에는 반드시 어댑터를 사용하여야 하며, 상부 시트를 뒤보기 모드 사용 시에도 어댑터 사용할 것을 권장합니다.
- 1 - 시트 & 캐리콧 어댑터를 연결할 때, 사진에 보여진 것과 같이 연결하세요 (62). ‘딸깍’ 소리가 나면 시트 & 캐리콧 어댑터가 연결이 되었다는 겁니다. (63)
  - ! 시트 & 캐리콧 어댑터 올바른 사용 방법은 다음 사진을 참고 하세요 (64)
  - 2 - 캐리콧을 시트 & 캐리콧 어댑터에 연결 할 때, 캐리콧을 시트 & 캐리콧 어댑터 위에 올려서 연결합니다, ‘딸깍’ 소리가 나면 캐리콧이 연결 되었다는 겁니다. (65)
  - ! 아래 시트에서 시트의 각도를 수직으로 올린 상태에서는 캐리콧을 뒷 부분에서 사용하지 마세요.
  - 3 - 시트를 시트&캐리콧 어댑터에 연결 할 때, 시트를 시트 & 캐리콧 어댑터 위에 올려서 연결합니다, ‘딸깍’ 소리가 나면 시트가 연결 되었다는 겁니다. (66)
  - 4 - 캐리콧을 분리할 때, 캐리콧 해제 버튼을 (48)-1 누르고 위로 올려 분리합니다. (48)-2
  - 5 - 시트를 분리할 때, 시트 해제 버튼을 (16)-1 누르고 시트를 들어 올려 분리합니다. (16)-2
  - 6 - 시트 & 캐리콧 어댑터를 분리할 때, 분리 버튼을 누르면서 (67)-1 시트 & 캐리콧 어댑터를 (67)-2 분리합니다.
  - ! 유모차를 접기 전에 시트 & 캐리콧을 분리하세요.



## 청소와 관리

차체, 플라스틱 부품, 그리고 원단 부분을 젖은 헝겊으로 청소합니다, 연마제 또는 표백제는 사용하지 마세요. 실리콘 윤활유는 먼지와 때를 모으기 때문에 사용하지 마세요.

유모차를 습기가 많은 곳에 보관하지 마세요.

유모차 바퀴는 수시로 물로 청소하고 먼지를 제거해 주세요.

제품을 오래 사용하기 위해, 우천시 사용 후 마른 헝겊으로 물기를 제거해주세요.

섬유 제품 부분 (시트, 액세서리)에 붙어 있는 라벨에 있는 관리법을 확인하여 세탁과 건조 방법을 따라주세요.

평범하게 사용한다고 해도, 장시간 햇빛에 노출되고, 오랜 기간 제품을 사용했을 시, 원단에 변화가 생기는 것은 정상적입니다.

안전상의 이유로, 뉴나 정품 부품을 사용하십시오.

모든 기능들이 정확하게 작동이 되는 지 정기적으로 확인하세요.

어느 부품들이 찢어 지거나, 부러지거나, 또는 분실이 되었다면, 이 제품을 사용하지 마세요.

# 請妥善保存本說明書 以備不時之需!

使用產品前請仔細閱讀說明書，  
並妥善保存說明書以便日後參考。

## 目錄

產品資訊	
保固與售後服務	288
保固條件	288
聯絡我們	288
適用範圍	289
警告	290
產品組件及各部位名稱	294
安裝手推車	296
產品使用	299
模式選擇	302
位置選擇	304
使用配件	
DEMI grow座椅	305
DEMI grow睡箱	305
DEMI grow移動式置物籃	306
DEMI grow座椅雨篷	305
DEMI grow座椅睡袋	306
汽車椅卡座	307
座椅&睡箱卡座	308
維護與保養	309

# 產品資訊

產品名稱： \_\_\_\_\_

生產日期： \_\_\_\_\_

## 保固與售後服務

產品於保固期間內發生問題，請與零售商聯絡；若零售商無法提供服務，他們會聯絡當地的Nuna經銷商。請留意產品底部的產品型號與生產日期序號。當有保固需求時，請提供以上產品資訊。請至nunababy.com網站登記您購買的產品。

## 保固條件

保固始於產品購買日，我們提供維修服務，但不提供產品退換。保固期限不會因零件更換或維修而延長。Nuna有權利針對產品進行改善設計，此前製造的產品則無更換義務。

相關保固資訊，詳見官網：[www.nunababy.com/warranty](http://www.nunababy.com/warranty)

## 聯絡我們

我們期望不斷改進並開發新的產品，請隨時告知您對Nuna產品的意見和建議。

[info@nunababy.com](mailto:info@nunababy.com)

[www.nunababy.com](http://www.nunababy.com)

產品名稱 DEMI grow手推車  
主要材質 塑膠、鋁合金/五金、布  
產地 中國

委製商 (進口商) 巧兒宜國際股份有限公司  
地址 台北市內湖區瑞光路431號2樓  
電話 02-27973000  
統一編號 52603333  
網址 [www.nunababy.com](http://www.nunababy.com)

代理商 杏豐實業股份有限公司  
地址 台北市中華路一段59號10樓之1  
電話 02-66358858  
統一編號 16998578

## 適用範圍

寶寶需要滿足下列要求

最大體重：**15公斤**

嬰幼兒年齡：**0-36個月**

當車架與汽車椅或睡箱配合使用時，注意說明書內寶寶的適用範圍。

# 警告

Nuna DEMI grow 手推車擁有專利並符合台灣標準 CNS 12940 : 2013 和歐洲安全標準 EN1888-1 : 2018 相關規範。

重要：請務必依照產品說明書和警告以避免導致嚴重傷害甚至是死亡事件發生。

- ！ 嬰幼兒的安全是您的責任。
- ！ 不得將嬰幼兒單獨留置於手推車上無人看護。
- ！ 6個月以下嬰幼兒使用時，請使用最斜躺位置。
- ！ 本產品須由成人進行組裝。
- ！ 對於單個座椅、汽車椅、睡箱使用時，僅可乘坐一位嬰幼兒，當相互搭配使用時，可同時乘坐兩位嬰幼兒。
- ！ 當同時乘坐二位嬰幼兒時，必須坐於指定的位置。
- ！ 超載或不正確的折疊及使用非經核准的零配件都可能造成手推車損壞、故障或不安全，請務必閱讀說明書。
- ！ 使用時必須配用束縛系統。
- ！ 嬰幼兒乘坐時，安全帶或束縛系統必須正確的扣合及使用。
- ！ 欲調整手推車時，務必先確定已將嬰幼兒移開，否則可能造成嬰幼兒受傷。
- ！ 禁止在上下樓梯／手扶梯時使用手推車。

- ！ 使用時請遠離火源、高溫、水池或電源之附近範圍。
- ！ 不可讓嬰幼兒站立。
- ！ 不可將手推車放置於馬路、坡道或危險場所。
- ！ 嬰幼兒乘坐於手推車內時，不可將整個車台往上提。
- ！ 當調整手推車上之任何可活動配件時，必須確定嬰幼兒與手推車保持安全距離。
- ！ 保持嬰幼兒遠離遮陽篷以免造成窒息。
- ！ 請扣好安全帶，以免嬰幼兒可能會滑入足底部分的缺口或造成窒息。
- ！ 停泊此手推車時務必確實使用所有之制動裝置。
- ！ 使用前，請確保所有鎖定裝置都已處於鎖定狀態。
- ！ 本產品適用於剛出生及體重不超過15公斤的嬰幼兒使用。
- ！ 任何附載於車手上的重量將影響產品的穩定性，可能導致手推嬰兒車翻覆的危險。
- ！ 本手推車不適用於跑步和滑冰，只適合以步行速度使用。
- ！ 使用手推車之前，請務必去掉、銷毀或是將所有附加包裝遠離嬰幼兒，以防嬰幼兒窒息。
- ！ 調整手推車時，如打開或收合手推車，嬰幼兒須遠離手推車的活動部件。
- ！ 請勿在遮陽篷上放置任何物品。

- ! 請使用Nuna原廠零配件。
- ! 請勿放置大于**4.5kg(10磅)**的物件于置物籃/移動式置物籃內，以免導致手推車不穩定而產生危險。
- ! 推車承重超過**34.5kg** 會造成推車負擔過重而導致手推車不穩定產生危險。**34.5kg = 15kg**手推車座椅(最重)+ **15kg** 手推車座椅(最重) + **4.5kg** 置物籃/移動式置物籃(最重)
- ! Nuna不保固使用其它廠商提供的零配件所造成的損害。
- ! 行經護欄與粗糙路面時務必小心。重複撞擊力可能對手推車造成損壞。
- ! 本手推車輪胎行經光滑表面（如拼花地板、薄地板和油布地氈）時，可能會留下黑色胎痕。
- ! 請將手推車放置於陰涼乾燥處，讓手推車座布自然風乾。
- ! 請將細小物品放置遠離嬰幼兒以避免造成窒息。
- ! 如果有任何零件損壞，磨破或丟失，請停止使用該產品。
- ! 使用前應確實豎立及固定各機構以確保安全。
- ! 請勿允許您的嬰幼兒將手推車當玩具玩耍。
- ! 遇緊急事故時，迅速將乘坐的兒童移離現場。
- ! 當結合汽車椅使用時，本產品不可代替睡床使用。若您的寶寶需要睡眠時，請讓寶寶睡在合適的睡床或寶寶需要睡眠的地方。
- ! 當放入和抱出嬰幼兒時，應鎖定剎車裝置。

- ! 請勿放置任何物品在車手、背靠後面或車台側面，以免影響手推車的穩定性。
- ! 不得同時乘坐3位及以上的嬰幼兒,或附載其它物品、附件於推車上。
- ! 保持嬰幼兒遠離遮陽篷、雨篷以免造成窒息。
- ! **6個月大**以下的嬰幼兒應同時使用腰部及胯部的安全帶。

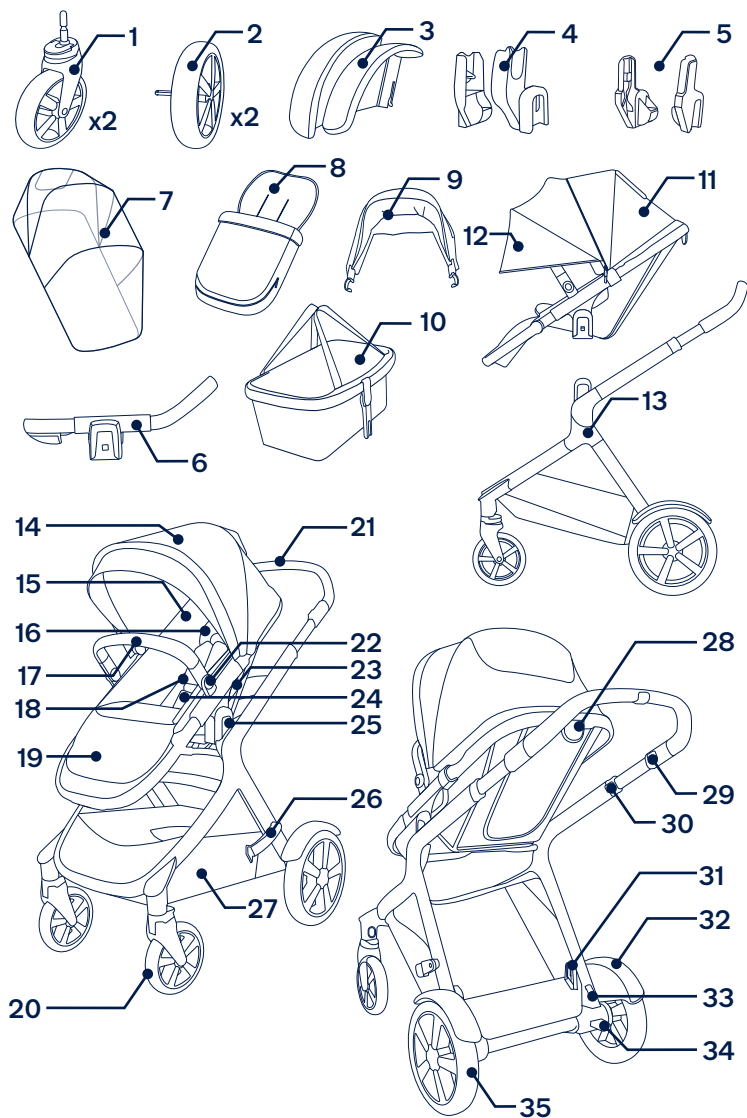
# 產品組件及各部位名稱

組裝前請確認所有部件已經齊全，如有遺漏，請與零售商聯繫。  
本產品無需工具進行組裝。

！ 窒息危險：務必去掉、丟棄每個車輪或輪軸的保護套。

！ 因產品型號的不同並非所有手推車均附以下配件。

- |                 |            |
|-----------------|------------|
| 1 前輪 (2個)       | 20 前輪      |
| 2 後輪 (2個)       | 21 車手      |
| 3 擋泥板           | 22 扶手調整按鈕  |
| 4 汽車椅卡座 (1組)    | 23 座椅釋鎖按鈕  |
| 5 座椅&睡箱卡座 (1組)  | 24 扣具和胯帶護片 |
| 6 汽車椅環形卡座(1組)   | 25 上座椅固定座  |
| 7 雨篷            | 26 收合鉤     |
| 8 睡袋            | 27 置物籃     |
| 9 遮陽篷           | 28 背靠調整按鈕  |
| 10 移動式置物籃       | 29 車手調整按鈕  |
| 11 手推車座椅        | 30 收合按鈕    |
| 12 Dream Drape™ | 31 下座椅固定座  |
| 13 車架           | 32 擋泥板     |
| 14 遮陽篷          | 33 避震調整按鈕  |
| 15 座墊           | 34 剎車踏板    |
| 16 頭靠           | 35 後輪      |
| 17 扶手           |            |
| 18 肩帶護片         |            |
| 19 小腿靠          |            |



# 安裝手推車

## 打開手推車

- 1 - 推開收合鉤 (1)
- 2 - 將車手向上方拉起 (2)
- 3 - 聽到“咔噠”聲表示手推車已打開到位 (3)  
安裝前，請先檢查確認手推車已完全打開。

## 擋泥板

當使用雙人模式時須裝上擋泥板。

- 1 - 將擋泥板固定在後輪組，聽到“咔噠”聲表示擋泥板已安裝到位 (4)  
檢查擋泥板是否已正確固定。  
另一邊重覆上述操作。

## 後輪

- 1 - 將後輪套入後腳，聽到“咔噠”聲表示後輪已安裝到位 (5)  
檢查輪子是否已正確固定。  
另一邊重覆上述操作。
- 2 - 按壓後輪釋鎖按鈕 (6)-1，同時向外拉 (6)-2，即可拔出後輪。

## 前輪

- 1 - 將前輪套入前腳，聽到“咔噠”聲表示前輪已安裝到位 (7)  
檢查輪子是否已正確固定。  
另一邊重覆上述操作。
- 2 - 按壓前輪釋鎖按鈕 (8)-1，同時向下拉 (8)-2，即可拔出前輪。

## 遮陽篷

- 1 - 將兩個遮陽篷卡座分別安裝到座椅固定座上 (9)
- 2 - 拉好拉鏈 (10)
- 3 - 打開拉鏈，然後將遮陽篷卡座取下，即可拆卸遮陽篷 (11)

## 扶手

- 1 - 將扶手卡座對準扶手卡槽插入，聽到“咔噠”聲表示扶手已安裝到位 (12)
- 2 - 按壓座墊兩側下方的釋鎖按鈕 (13)-1，同時向外拉即可拆卸扶手 (13)-2
- 3 - 為了讓收合體積更小，按壓扶手兩側調整按鈕 (14)-1 可將扶手往下旋轉 (14)-2 聽到“咔噠”聲表示已調整完成。  
! 只能於收合時將扶手調整至此段位。請勿於推車內有孩童時使用此扶手段位。

## 手推車座椅

手推車座椅可以前向&後向安裝。

- 1 - 將手推車座椅向下安裝在座椅固定座上，聽到“咔噠”聲表示座椅已安裝到位 (15)
- 2 - 按壓座椅釋鎖按鈕 (16)-1，同時向上抬起 (16)-2，即可移除座椅。

### 檢查項目

- 車架是否已正確鎖定
- 擋泥板是否已正確安裝
- 後輪是否已正確安裝
- 前輪是否已正確安裝
- 座椅是否已正確安裝
- 遮陽篷卡座是否已正確安裝和遮陽篷拉鏈與座墊是否已正確固定

## 產品使用

### 寶寶乘坐

- 1 - 按壓安全扣中間按鈕，鬆開安全扣並將寶寶放入座椅內 (17)
- 2 - 將腰帶扣插入肩帶扣內 (18)
- 3 - 將腰帶扣和肩帶扣插入母扣內，另一邊重覆上述操作 (19)
- 4 - 通過向上滑動下方的調整扣（位於肩帶護片下方）使安全帶與寶寶緊貼(20)-1，然後向外拉腰帶調整帶 (20)-2

### 肩帶位置

- 1 - 移動肩帶上端，即可上下調整肩帶位置 (21)

！ 為了防止寶寶跌落，寶寶乘坐時必須繫上安全帶。

請牢牢地繫上安全帶，並注意寶寶與安全帶之間須可以放進一個手掌的厚度。

請勿交叉使用肩帶，以免對寶寶頸部造成壓迫。

### 移除肩帶護片

按壓安全扣中間按鈕，打開安全扣。

- 1 - 沿著肩帶可將肩帶護片取下 (22)

按壓安全扣中間按鈕，打開安全扣。重新安裝肩帶護片並將安全扣扣合。

### 遮陽篷

- 1 - 將遮陽篷向前推，即可打開遮陽篷。向後拉即可收合遮陽篷 (23)
- 2 - 拉開遮陽篷拉鏈拉出全罩式遮陽篷 (24)
- 3 - 打開全罩式遮陽篷，方便寶寶休息 (25)
- 4 - 方便通風，可以打開天窗 (26)



## 車手

為方便推行，車手有4種段位可供調節。

- 1 - 按壓車手兩側的調整按鈕 **(27)-1**，同時向前或向後移動車手至適合段位 **(27)-2**

## 小腿靠

依不同使用需求，小腿靠共有2個段位可供調節。

- 1 - 段位調高時，將小腿靠支撐板由下往上推即可。
- 2 - 段位調低時，按壓小腿靠中間的調整按鈕 **(28)-1**，同時向下調節小腿靠支撐板 **(28)-2**

## 背靠

- 1 - 背靠可3段式角度調節 **(29)**
- 2 - 調高或調低背靠角度時，拉起背靠調整按鈕，將背靠向上或向下推即可 **(30)**

## 座墊

當天氣轉涼時，使用座墊更保暖舒適。當天氣炎熱時，可拆卸座墊直接使用透氣通風的網孔座椅。

- 1 - 按壓安全扣中間按鈕，打開安全扣。拉開座墊外圍拉鏈並將扣具穿過座墊即可取掉座墊 **(31)**

！ 請勿拆卸背靠管。

## 剎車踏板

- 1 - 準備剎車時，踩下剎車踏板後方，即可完成剎車動作 **(32)**
- 2 - 打開剎車時，向上抬起剎車踏板，即可完成釋鎖動作 **(33)**

！ 手推車停止前進時，請鎖定剎車踏板。輕推手推車保證剎車踏板已完全鎖定。

## 避震系統

避震系統 **(34)-1** 往上調軟，適用於粗糙的路面 **(34)-2** 往下調硬，適用於平滑的路面。當使用雙人模式時，建議可將避震調硬。

## 前輪定向

當在碎石路面或不平路面推行時，建議鎖定前輪，便能更輕鬆地操控手推車。

- 1 - 按壓定向拉板兩側，然後向後拉即可固定前輪前行方向 **(35)**
- 2 - 按壓定向拉板兩側，然後向前推即可釋鎖前輪轉動方向 **(36)**

## 收合手推車

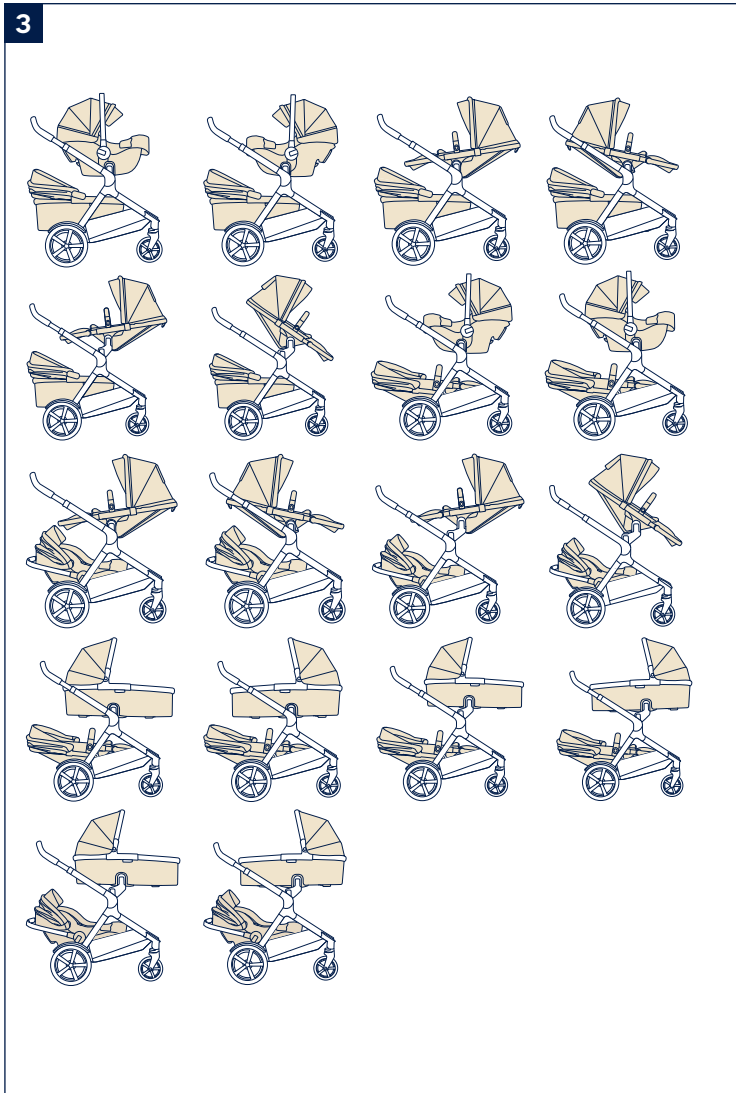
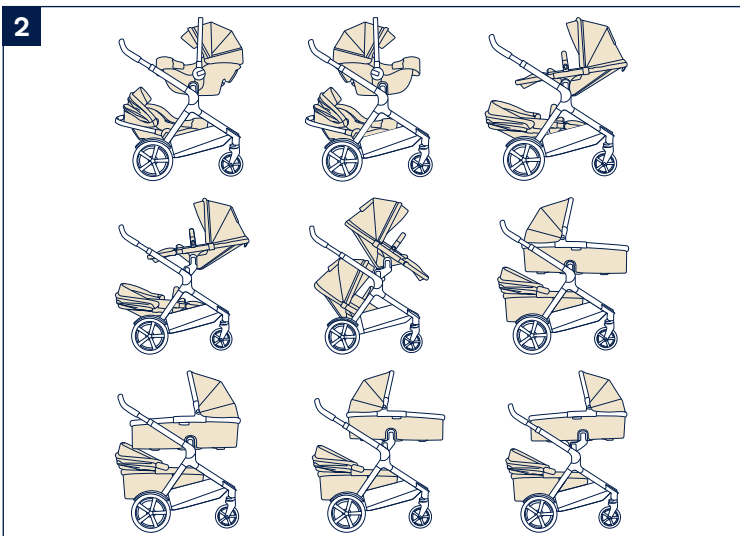
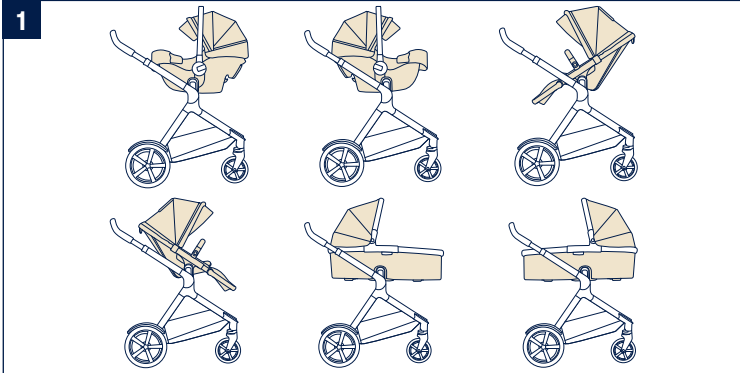
收合手推車前，請將車手調整到第2段或第3段，方便收合後站立。

車架可以與前向座椅或沒有座椅時收合。如果與上座椅收合時需將背靠調整至最斜躺位置。

- 1 - 收攏遮陽篷 **(37)-1**，將收合鉤向外旋轉 **(37)-2**
- 2 - 向後拉車手兩側的收合按鈕 **(38)**
- 3 - 將車手向下旋轉並扣合收合鉤 **(39)**
- 4 - 向下收合小腿靠，收合尺寸更小方便儲存 **(40)**

# 模式選擇

本手推車車架與DEMI grow座椅，DEMI grow睡箱或PIPA汽車椅 (包括使用汽車椅卡座)組合使用，模式如下供參考：



## 位置選擇

本手推車車架與手推車座椅、睡箱或汽車椅組合時，當手推車座椅或睡箱或汽車椅安裝在下座時，請將遮陽篷收合。

- ! 因產品型號的不同，規格會有所不同。並非所有的模式都可行。
- 1 - 當手推車座椅 (41)-1、睡箱 (41)-2 或汽車椅 (41)-3 安裝在下座時，請勿後向使用。
- 2 - 當睡箱在上座，下座為座椅時，座椅背靠不可向上調整 (42)
- 3 - 當下座為汽車椅時，睡箱不建議單獨安裝在上座 (43)  
! 當下座為汽車椅時，睡箱與座椅&睡箱卡座配合使用可安裝在上座。
- 4 - 當汽車椅在下座時，提把不可為直立狀態 (44)  
! 上下座椅同時前向使用時，上座椅必須配合座椅&睡箱卡座 /1組 (產品組件及各部位名稱 #5) 使用。

## 使用配件

! 因產品型號的不同，並非所有手推車均附以下配件。

### DEMI grow 座椅

當配合 **DEMI grow** 座椅使用時，收攏座椅遮陽篷，將座椅小腿靠調整至最高檔位和置物籃後片向前收合。

- 1 - 將手推車座椅向下安裝在座椅固定座上，聽到“咔嚓”聲表示座椅已安裝到位 (45)  
! 收合手推車前，請先移除下座椅。  
! 上下座椅同時前向使用時，上座椅必須配合座椅&睡箱卡座使用。

### DEMI grow 睡箱

關於使用睡箱有任何問題，請參考睡箱說明書。

當睡箱在下座時，請先收攏睡箱遮陽篷。

- 1 - 將睡箱側面對準下座椅固定座，向下卡合到下座椅固定座上 (46)  
! 聽到“咔嚓”聲表示睡箱卡合到位 (46)
- 2 - 將睡箱在上座時可前向&後向安裝 (47)
- 3 - 移除睡箱時，按壓睡箱兩側釋鎖按鈕 (48)-1，同時提起睡箱 (48)-2  
! 收合手推車前，請先移除睡箱。

## DEMI grow 移動式置物籃

安裝移動式置物籃前，請將置物籃後片向前收合。

**1 - 將移動式置物籃兩側的支撐座向下旋轉，插入固定座 (49)**

！ 移動式置物籃安裝時前後有方向性，聽到“咔噠”聲表示安裝正確。

**2 - 向上抬起，可移除移動式置物籃 (50)**

## DEMI grow 座椅雨篷

雨篷只可以安裝在上座椅 (51)

**1 - 將雨篷套到座椅上**

！ 使用雨篷時，請隨時注意並確認雨篷內有良好的通風。

不使用雨篷時，請先確認雨篷已清潔並乾燥，再收納。

請勿收合已罩上雨篷的手推車。

天氣炎熱時，請勿將兒童放在裝有雨篷的手推車內。

## DEMI grow 座椅睡袋

**1 - 安裝睡袋前，請移除扶手。打開扣具，移除肩帶護片，移除 胯帶護片和頭靠 (52)**

**2 - 拉開拉鏈打開睡袋 (53)**

**3 - 將睡袋鋪到座墊上，將肩帶、腰帶和胯帶分別從睡袋的對應穿孔穿出 (54) 重新安裝肩帶護片，胯帶護片，頭靠和扶手。**

**4 - 將寶寶放入睡袋並扣好安全扣，再將拉鏈重新拉上 (55)**

**5 - 反折睡袋上蓋將扶手覆蓋 (56)**

## 汽車椅卡座

關於汽車椅的組裝和使用有任何問題，請參考汽車椅說明書。

當汽車椅在下座時，請先收攏汽車椅遮陽篷。

**1 - 安裝汽車椅卡座，放置汽車椅卡座卡合到座椅固定座上，聽到“咔噠”聲表示汽車椅卡座卡合到位 (57)**

**2 - 安裝汽車椅，將汽車椅側面卡合到汽車椅卡座上，聽到“咔噠”聲表示汽車椅卡合到位 (58)**

**3 - 移除汽車椅，按壓汽車椅兩側的釋鎖按鈕 (59)-1 同時向上提起汽車椅即可 (59)-2**

**4 - 移除汽車椅卡座，向外拉起汽車椅卡座上的釋鎖按鈕 (60)-1 同時向上提起汽車椅卡座即可 (60)-2**

**5 - 汽車椅卡座在上座時，後向 (61)-1&前向 (61)-2 都可以安裝。**

！ 收合手推車前，請先移除汽車椅。

## 座椅&睡箱卡座

- ! 座椅&睡箱卡座只可以安裝在上座。
- ! 上下座椅同時前向使用時，上座椅必須配合座椅&睡箱卡座使用。
- 1 - 安裝座椅&睡箱卡座，放置座椅&睡箱卡座卡合到座椅底座上(62)，聽到“咔嗒”聲表示卡合到位 (63)
- ! 座椅&睡箱卡座的正確使用方法如圖64所示。
- 2 - 安裝睡箱，放置睡箱卡合到座椅&睡箱卡座上，聽到“咔嗒”聲表示睡箱卡合到位(65)
- ! 當上座卡合睡箱時，下座卡合的座椅背靠不能為直立狀態。
- 3 - 安裝座椅，放置座椅卡合到座椅&睡箱卡座上，聽到“咔嗒”聲表示座椅卡合到位 (66)
- 4 - 移除睡箱，按壓睡箱兩側的釋鎖按鈕(48)-1，同時向上提起睡箱即可 (48)-2
- 5 - 按壓座椅釋鎖按鈕 (16)-1，同時向上抬起 (16)-2，即可移除座椅。
- 6 - 移除座椅&睡箱卡座，向外拉起卡座上的釋鎖按鈕(67)-1，同時向上提起睡箱卡座即可 (67)-2
- ! 收合手推車前，請先移除座椅&睡箱。

## 維護與保養

可用濕布清潔車架和座布，請勿使用研磨劑或漂白劑。請勿使用潤滑劑，因為它們會吸附灰塵和污垢。請勿將手推車儲存在潮濕的地方。

請定期以水清洗輪子，並清除污垢。

為使手推車能長期使用，下雨天使用後，請用軟質可吸水的布擦拭手推車。

請參考手推車上洗滌標版內容的洗滌方式。

長期使用之後，在正常狀況下，座布可能產生褪色、磨損或撕裂。

為確保安全，請使用Nuna原廠零配件。

請定期檢查您的手推車功能是否正常與零件是否鬆弛磨損或脫落。一旦發生以上任何狀況，請立即停止使用本手推車。

## 请妥善保存本说明书 以备不时之需!

使用产品前请仔细阅读说明书，并妥善保存说明书以便日后参考。如果不按照本说明书可能会影响乘坐宝宝的安全。

## 目录

产品资讯	
保修与售后服务	312
保修条件	312
联络我们	312
适用年龄	313
警告	314
产品组件及各部位名称	318
安装手推车	320
产品使用	323
模式选择	326
位置选择	328
使用配件	
DEMI grow座椅	328
DEMI grow睡箱	329
DEMI grow移动式置物篮	329
DEMI grow座椅雨篷	330
DEMI grow座椅睡袋	330
汽车椅卡座	330
座椅&睡箱卡座	331
维护与保养	332

# 产品资讯

产品名称： \_\_\_\_\_

生产日期： \_\_\_\_\_

## 保修与售后服务

产品于保修期间内发生问题，请与零售商联络：若零售商无法提供服务，他们会联络当地的Nuna经销商。请留意产品底部的产品型号与生产日期序号。当有保修需求时，请提供以上产品资讯。请至nunababy.com网站登记您购买的产品。

## 保修条件

保修始于产品购买日。我们提供维修服务，但不提供产品退换，即使某些零件曾经过维修，也不会因此延长保修期限。Nuna有权利针对产品改善设计，是此先前制造的产品则无更换之义务。

相关保修资讯，详见官网：  
[www.nunababy.com/warranty](http://www.nunababy.com/warranty)

## 联络我们

我们期望不断改进并开发新的产品，请随时告知您对Nuna产品的意见和建议。

[info@nunababy.com](mailto:info@nunababy.com)  
[www.nunababy.com](http://www.nunababy.com)

制造商： NUNA International B.V.  
地址： Van der Valk Boumanweg 178 C  
2352JD Leiderdorp  
The Netherlands

产品名称： DEMI grow手推车  
产品型号： **ST08103ASPCH/ST08103FRTRH**  
主要材质： 塑胶、铝合金/五金、布  
执行标准： GB 14748-2006 《儿童推车安全要求》  
生产企业： 明门（中国）婴童用品有限公司  
地址： 广东省东莞市清溪镇银湖工业区  
邮编： **523648**  
电话： **86-769-87733251**

中国地区总经销：凯知乐贸易（天津）有限公司  
地址： 天津自贸试验区（中心商务区）  
燕赵大厦 1-804, 300452  
电话： **022-59890762**  
客服电话： **400-666-0575**

## 适用年龄

宝宝需要满足下列要求：

年龄： **6-36个月**

重量： 体重不超过**15kg** (经测试可耐重到**20公斤**)

本产品不适用**6个月**以下的儿童。

当车架与汽车椅或睡箱配合使用时，注意说明书内宝宝的适用范围。

# 警告

Nuna DEMI grow 手推车拥有专利并符合国家标准 GB 14748 - 2006《儿童推车安全要求》和欧洲安全标准 EN1888-1:2018 相关规范。

**重要：**请务必依照产品说明书和警告以避免导致严重伤害甚至是死亡事件发生。

- ！ 婴幼儿的安全是你的责任。
- ！ 当婴幼儿乘坐时，看护人不要离开。
- ！ 本产品不适用于六个月大以下的孩童。
- ！ 本产品须由成人进行组装。
- ！ 对于单个座椅、汽车椅、睡箱使用时，仅可乘坐一位婴幼儿，当相互搭配使用时，可同时乘坐两位婴幼儿。
- ！ 当同时乘坐二位婴幼儿时，必须坐于指定的位置。
- ！ 请勿放置任何物品在车手、背靠后面或车台侧面，以免影响手推车的稳定性。
- ！ 超重、不正确收合或使用非Nuna原厂的配件可能导致车台损坏与不安全。
- ！ 请使用Nuna原厂零配件。
- ！ Nuna不保修使用其它厂商提供的零配件所造成的损害。
- ！ 使用时必须配用束缚系统。

- ！ 婴幼儿乘坐时，安全带或束缚系统必须正确的扣合及使用。
- ！ 欲调整手推车时，务必先确定已将婴幼儿移开，否则可能造成婴幼儿受伤。
- ！ 禁止在上下楼梯/手扶梯时使用手推车。
- ！ 使用时请远离火源、高温、水池或电源之附近范围。
- ！ 不可让婴幼儿站立或倒坐于手推车上。
- ！ 不得将手推车放置在马路、坡道等危险场所。
- ！ 婴幼儿乘坐于手推车内时，不可将整个手推车往上提。
- ！ 当调整手推车上任何可活动配件时，必须确定宝宝与手推车保持安全距离。
- ！ 保持婴幼儿远离遮阳篷以免造成窒息。
- ！ 请扣好安全带，以免婴幼儿滑入腿部开口而造成窒息。
- ！ 停泊此手推车时务必确实使用所有之刹车装置。
- ！ 使用前确保所有锁定装置都已处于锁定状态。
- ！ 本产品适用6个月及以上的婴幼儿及体重不超过15kg(6 - 36个月)的儿童使用。
- ！ 本手推车不适用于跑步和滑冰，只适合以步行速度使用。
- ！ 使用本产品前，请取掉PE袋和包装材料并销毁，并放到婴儿和儿童触摸不到的地方。



- ! 婴幼儿接近手推车前，请确认手推车已完全打开或收合。
- ! 请勿在遮阳篷上放置任何物品。
- ! 请勿放置大于**4.5kg(10磅)**的物件于置物篮/移动式置物篮内，以免导致手推车不稳定而产生危险。
- ! 推车承重超过**34.5kg**会造成推车负担过重而导致手推车不稳定发生危险。**34.5kg = 15kg**手推车型号(最重) + **15kg**手推车型号(最重) + **4.5kg**置物篮/移动式置物篮(最重)。
- ! 行经护栏与粗糙路面时务必小心。重复撞击力可能对手推车造成损坏。
- ! 本手推车轮胎行经光滑表面(如拼花地板、薄地板和油布地毯)时，可能会留下黑色胎痕。
- ! 请将手推车放置于阴凉干燥处，让手推车型号自然风干。
- ! 请将细小物品放置远离婴幼儿以避免造成窒息。
- ! 如果有任何零件损坏，磨破或丢失，请停止使用该产品。
- ! 使用前应确实竖立及固定各机构以确保安全。
- ! 请勿允许您的婴幼儿将手推车当玩具玩耍。
- ! 遇紧急事故时，迅速将乘坐的儿童移离现场。
- ! 当结合汽车椅使用时，本产品不可代替睡床使用。若您的宝宝需要睡眠时，请让宝宝睡在合适的睡床或宝宝需要睡眠的地方。

- ! 当放入和抱出婴幼儿时，应锁定刹车装置。
- ! 不得同时乘坐三位及以上的婴幼儿。
- ! 使用前请检查睡箱或座椅或汽车椅连接装置是否正确锁定。

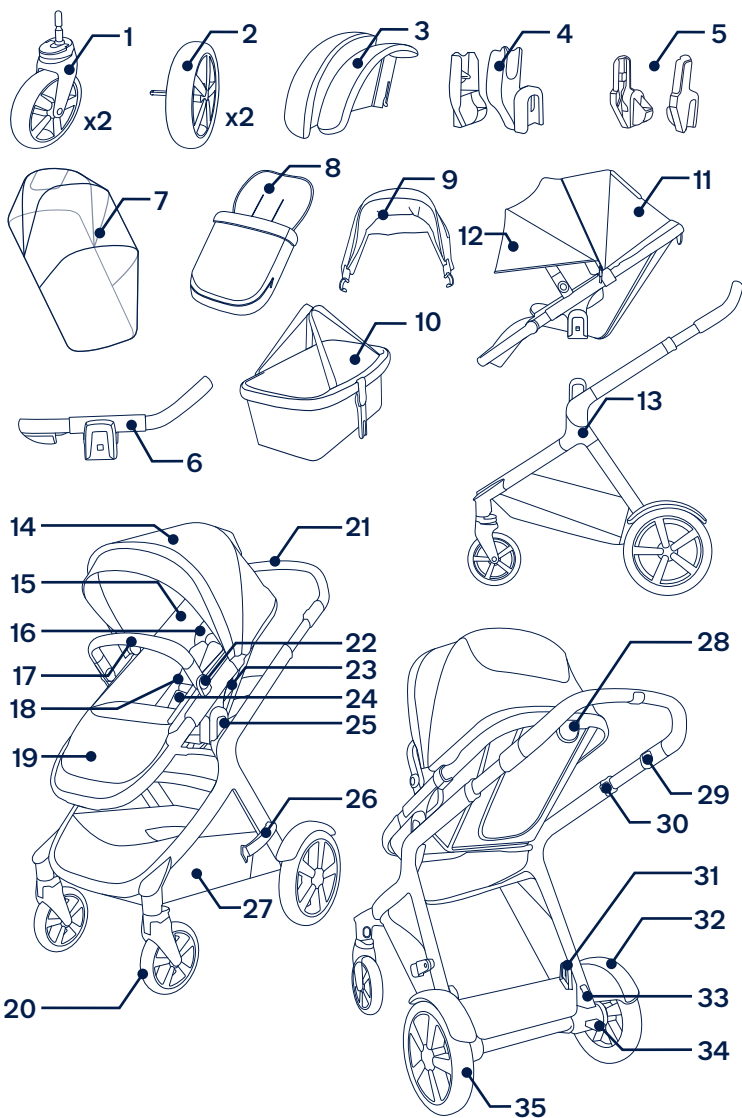
# 产品组件及各部位名称

组装前请确认所有部件已经齐全，如有遗漏，请与零售商联系。本产品无需工具进行组装。

！ 窒息危险：务必去掉、丢弃每个车轮或轮轴的保护套。

！ 因产品型号的不同并非所有手推车均附以下配件。

- |                 |            |
|-----------------|------------|
| 1 前轮 (2个)       | 19 小腿靠     |
| 2 后轮 (2个)       | 20 前轮      |
| 3 挡泥板           | 21 车手      |
| 4 汽车椅卡座(1组)     | 22 扶手调整按钮  |
| 5 座椅&睡箱卡座 (1组)  | 23 座椅释锁按钮  |
| 6 汽车椅环形卡座 (1组)  | 24 扣具和胯带护片 |
| 7 雨篷            | 25 上座椅固定座  |
| 8 睡袋            | 26 收合钩     |
| 9 遮阳篷           | 27 置物篮     |
| 10 移动式置物篮       | 28 背靠调整按钮  |
| 11 手推车座椅        | 29 车手调整按钮  |
| 12 Dream Drape™ | 30 收合按钮    |
| 13 车架           | 31 下座椅固定座  |
| 14 遮阳篷          | 32 挡泥板     |
| 15 座垫           | 33 避震调整按钮  |
| 16 头靠           | 34 刹车踏板    |
| 17 扶手           | 35 后轮      |
| 18 肩带护片         |            |



# 安装手推车

## 打开手推车

- 1 - 推开收合钩 (1)
- 2 - 将车手向上方拉起 (2)
- 3 - 听到“咔哒”声表示手推车已打开到位 (3) 安装前，请先检查确认手推车已完全打开。

## 挡泥板

当使用双人模式时须装上挡泥板。

- 1 - 将挡泥板固定在后轮组，听到“咔哒”声表示挡泥板已安装到位 (4)

检查挡泥板是否已正确固定。

另一边重复上述操作。

## 后轮

- 1 - 将后轮套入后脚，听到“咔哒”声表示后轮已安装到位 (5)

检查轮子是否已正确固定。

另一边重复上述操作。

- 2 - 按压后轮释锁按钮 (6)-1，同时向外拉 (6)-2，即可拔出后轮。

## 前轮

- 1 - 将前轮套入前脚，听到“咔哒”声表示前轮已安装到位 (7)

检查轮子是否已正确固定。

另一边重复上述操作。

- 2 - 按压前轮释锁按钮 (8)-1，同时向下拉 (8)-2，即可拔出前轮。

## 遮阳篷

- 1 - 将两个遮阳篷卡座分别安装到座椅固定座上 (9)
- 2 - 拉好拉链 (10)
- 3 - 打开拉链，然后将遮阳篷卡座取下，即可拆卸遮阳篷 (11)

## 扶手

- 1 - 将扶手卡座对准扶手卡槽插入，听到“咔哒”声表示扶手已安装到位 (12)
  - 2 - 按压座垫两侧下方的释锁按钮 (13)-1，同时向外拉即可拆卸扶手 (13)-2
  - 3 - 为了让收合体积更小，按压扶手两侧调整按钮 (14)-1 可将扶手往下旋转 (14)-2 听到“咔哒”表示已调整完成
- ! 只能于收合时将扶手调整至此段位。请勿于推车内有孩童时使用此扶手段位。

## 手推车座椅

手推车座椅可以前向&后向安装。

- 1 - 将手推车座椅向下安装在座椅固定座上，听到“咔哒”声表示座椅已安装到位 (15)
- 2 - 按压座椅释锁按钮 (16)-1，同时向上抬起(16)-2，即可移除座椅。

### 检查项目

- 车架是否已正确锁定
- 挡泥板是否已正确安装
- 后轮是否已正确安装
- 前轮是否已正确安装
- 座椅是否已正确安装
- 遮阳篷卡座是否已正确安装和遮阳篷拉链与座垫是否已正确固定

## 產品使用

### 宝宝乘坐

- 1 - 按压安全扣中间按钮，松开安全扣并将宝宝放入座椅内 (17)
- 2 - 将腰带扣插入肩带扣内 (18)
- 3 - 将腰带扣和肩带扣插入母扣内，另一边重复上述操作 (19)
- 4 - 通过向上滑动下方的调整扣（位于肩带护片下方）使安全带与宝宝紧贴(20)-1，然后向外拉腰带调整带 (20)-2

### 肩带位置

- 1 - 移动肩带上端，即可上下调整肩带位置 (21)

！ 为了防止宝宝跌落，宝宝乘坐时必须系上安全带。

请牢牢地系上安全带，并注意宝宝与安全带之间须可以放进一个手掌的厚度。

请勿交叉使用肩带，以免对宝宝颈部造成压迫。

### 移除肩带护片

按压安全扣中间按钮，打开安全扣。

- 1 - 沿着肩带可将肩带护片取下 (22)

按压安全扣中间按钮，打开安全扣。重新安装肩带护片并将安全扣扣合。

## 遮阳篷

- 1 - 将遮阳篷向前推，即可打开遮阳篷。向后拉即可收合遮阳篷 (23)
- 2 - 拉开遮阳篷拉链拉出全罩式遮阳篷 (24)
- 3 - 打开全罩式遮阳篷，方便宝宝休息 (25)
- 4 - 方便通风，可以打开天窗 (26)

## 车手

为方便推行，车手有 4 种段位可供调节。

- 1 - 按压车手两侧的调整按钮 (27)-1，同时向前或向后移动车手至适合段位 (27)-2

## 小腿靠

依不同使用需求，小腿靠共有 2 个段位可供调节。

- 1 - 段位调高时，将小腿靠支撑板由下往上推即可。
- 2 - 段位调低时，按压小腿靠中间的调整按钮(28)-1，同时向下调节小腿靠支撑板 (28)-2

## 背靠

- 1 - 背靠可 3 段式角度调节 (29)
- 2 - 调高或调低背靠角度时，拉起背靠调整按钮，将背靠向上或向下推即可 (30)

## 座垫

当天气转凉时，使用座垫更保暖舒适。当天气炎热时，可拆卸座垫直接使用透气通风的网孔座椅。

- 1 - 按压安全扣中间按钮，打开安全扣。拉开座垫外围拉链并将扣具穿过座垫即可取掉座垫 (31)
- ！ 请勿拆卸背靠管。

## 刹车踏板

- 1 - 准备刹车时，踩下刹车踏板后方，即可完成刹车动作 (32)
  - 2 - 打开刹车时，向上抬起刹车踏板，即可完成释锁动作 (33)
- ！ 手推车停止前进时，请锁定刹车踏板。轻推手推车保证刹车踏板已完全锁定。

## 避震系统

避震系统 (34)-1 往上调软，适用于粗糙的路面  
(34)-2 往下调硬，适用于平滑的路面。当使用双人模式时，建议可将避震调硬。

## 前轮定向

当在碎石路面或不平路面推行时，建议锁定前轮，便能更轻松地操控手推车。

- 1 - 按压定向拉板两侧，然后向后拉即可固定前轮前行方向 (35)
- 2 - 按压定向拉板两侧，然后向前推即可释锁前轮转动方向 (36)

## 收合手推车

收合手推车前，请将车手调整到第 2 段或第 3 段，方便收合后站立。

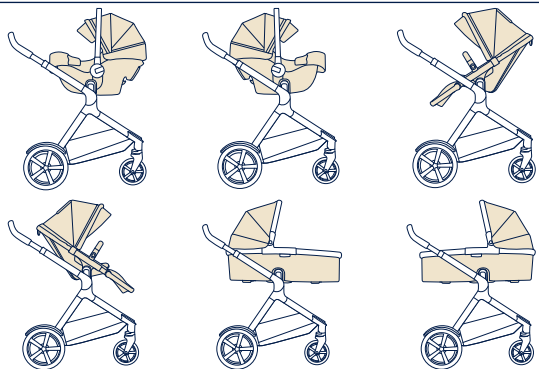
车架可以与前向座椅或没有座椅时收合。如果与上座椅收合时需将背靠调整至最斜躺位置。

- 1 - 收拢遮阳篷 (37)-1，将收合钩向外旋转 (37)-2
- 2 - 向后拉车手两侧收合按钮 (38)
- 3 - 将车手向下旋转并扣合收合钩 (39)
- 4 - 向下收合小腿靠，收合尺寸更小方便储存 (40)

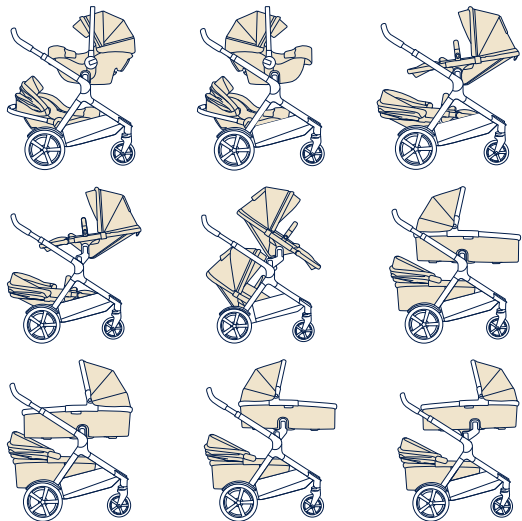
# 模式选择

本手推车车架与DEMI grow座椅，DEMI grow睡箱或PIPA汽车椅(包括使用汽车椅卡座)组合使用，模式如下供参考：

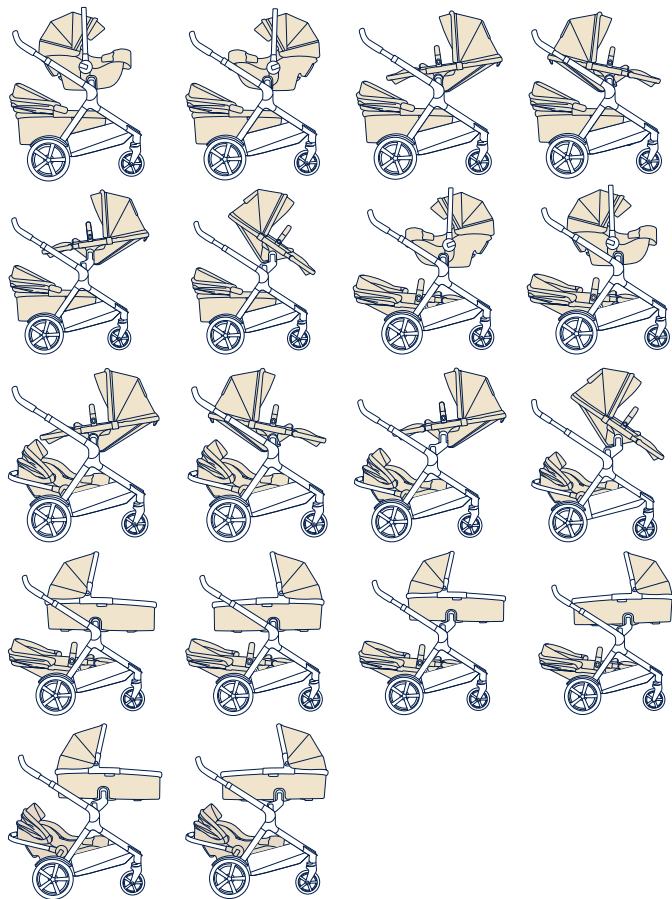
1



2



3



# 位置选择

本手推车车架与手推车座椅、睡箱或汽车椅组合时，当手推车座椅或睡箱或汽车椅安装在下座时，请将遮阳篷收合。

- ! 因产品型号的不同，规格会有所不同。并非所有的模式都可行。
- 1 - 当手推车座椅 (41)-1、睡箱 (41)-2 或汽车椅 (41)-3 安装在下座时，请勿后向使用。
- 2 - 当睡箱在上座，下座为座椅时，座椅背靠不可向上调整 (42)
- 3 - 当下座为汽车椅时，睡箱不建议单独安装在上座 (43)
  - ! 当下座为汽车椅时，睡箱与座椅&睡箱卡座配合使用可安装在上座。
- 4 - 当汽车椅在下座时，提把不可为直立状态 (44)
  - ! 上下座椅同时前向使用时，上座椅必须配合座椅&睡箱卡座 (产品组件及各部位名称 #5) 使用。

# 使用配件

- ! 因产品型号的不同，并非所有手推车均附以下配件。

## DEMI grow 座椅

当配合 DEMI grow 座椅使用时，收拢座椅遮阳篷，将座椅小腿靠调整至最高档位和置物篮后片向前收合。

- 1 - 将手推车座椅向下安装在座椅固定座上，听到“咔哒”声表示座椅已安装到位 (45)
  - ! 收合手推车前，请先移除下座椅。
  - ! 上下座椅同时前向使用时，上座椅必须配合座椅&睡箱卡座使用。

## DEMI grow 睡箱

关于使用睡箱有任何问题，请参考睡箱说明书。

当睡箱在下座时，请先收拢睡箱遮阳篷。

- 1 - 将睡箱侧面对准下座椅固定座，向下卡合到下座椅固定座上 (46)
  - ! 听到“咔哒”声表示睡箱卡合到位 (46)
- 2 - 将睡箱在上座时可前向&后向安装 (47)
- 3 - 移除睡箱时，按压睡箱两侧释锁按钮 (48)-1，同时提起睡箱 (48)-2
  - ! 收合手推车前，请先移除睡箱。

## DEMI grow 移动式置物篮

安装移动式置物篮前，请将置物篮后片向前收合。

- 1 - 将移动式置物篮两侧的支撑座向下旋转，插入固定座 (49)
  - ! 移动式置物篮安装时前后有方向性，听到“咔哒”声表示安装正确。
- 2 - 向上抬起，可移除移动式置物篮 (50)

## DEMI grow 座椅雨篷

雨篷只可以安装在上座椅 (51)

### 1 - 将雨篷套到座椅上

! 使用雨篷时, 请随时注意并确认雨篷内有良好的通风。

不使用雨篷时, 请先确认雨篷已清洁并干燥, 再收纳。

请勿收合已罩上雨篷的手推车。

天气炎热时, 请勿将儿童放在装有雨篷的手推车内。

## DEMI grow 座椅睡袋

1 - 安装睡袋前, 请移除扶手。打开扣具, 移除肩带护片, 移除胯带护片和头靠 (52)

2 - 拉开拉链打开睡袋 (53)

3 - 将睡袋铺到座垫上, 将肩带、腰带和胯带分别从睡袋的对应穿孔穿出 (54) 重新安装肩带护片, 胯带护片, 头靠和扶手。

4 - 将宝宝放入睡袋并扣好安全扣, 再将拉链重新拉上 (55)

5 - 反折睡袋上盖将扶手复盖 (56)

## 汽车椅卡座

关于汽车椅的组装和使用有任何问题, 请参考汽车椅说明书。

当汽车椅在下座时, 请先收拢汽车椅遮阳篷。

1 - 安装汽车椅卡座, 放置汽车椅卡座卡合到座椅固定座上, 听到“咔哒”声表示汽车椅卡座卡合到位 (57)

2 - 安装汽车椅, 将汽车椅侧面卡合到汽车椅卡座上, 听到“咔哒”声表示汽车椅卡合到位 (58)

3 - 移除汽车椅, 按压汽车椅两侧的释锁按钮 (59)-1 同时向上提起汽车椅即可 (59)-2

4 - 移除汽车椅卡座, 向外拉起汽车椅卡座上的释锁按钮 (60)-1 同时向上提起汽车椅卡座即可 (60)-2

5 - 汽车椅卡座在上座时, 后向 (61)-1 & 前向 (61)-2 都可以安装。

! 收合手推车前, 请先移除汽车椅。

## 座椅&睡箱卡座

! 座椅&睡箱卡座只可以安装在上座。

! 上下座椅同时前向使用时, 上座椅必须配合座椅&睡箱卡座使用。

1 - 安装座椅&睡箱卡座, 放置座椅&睡箱卡座卡合到座椅底座上(62), 听到“咔哒”声表示卡合到位 (63)

! 座椅&睡箱卡座的正确使用如图64所示。

2 - 安装睡箱, 放置睡箱卡合到座椅&睡箱卡座上, 听到“咔哒”声表示睡箱卡合到位 (65)

! 当上座卡合睡箱时, 下座卡合的座椅背靠不能为直立状态。

3 - 安装座椅, 放置座椅卡合到座椅&睡箱卡座上, 听到“咔哒”声表示座椅卡合到位 (66)

4 - 移除睡箱, 按压睡箱两侧的释锁按钮(48)-1, 同时向上提起睡箱即可 (48)-2

5 - 按压座椅释锁按钮(16)-1, 同时向上抬起 (16)-2, 即可移除座椅。

6 - 移除座椅&睡箱卡座, 向外拉起卡座上的释锁按钮(67)-1, 同时向上提起睡箱卡座即可 (67)-2

! 收合手推车前, 请先移除座椅&睡箱。



# 维护与保养

可用湿布清洁车架和座布，请勿使用研磨剂或漂白剂。请勿使用润滑剂，因为它们会吸附灰尘和污垢。请勿将手推车储存在潮湿的地方。

请定期以水清洗轮子，并清除污垢。

为使手推车能长期使用，下雨天使用后，请用软质可吸水的布擦拭手推车。

请参考手推车上洗涤标版内容的洗涤方式。

长期使用之后，在正常状况下，座布可能产生褪色、磨损或撕裂。

为确保安全，请使用Nuna原厂零配件。

请定期检查您的手推车功能是否正常与零件是否松弛磨损或脱落。一旦发生以上任何状况，请立即停止使用本手推车。



nuna®

Find out more at [nunababy.com](http://nunababy.com)