

Joie™ signature

finiti™

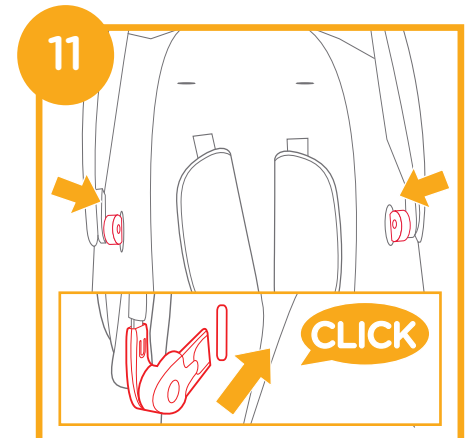
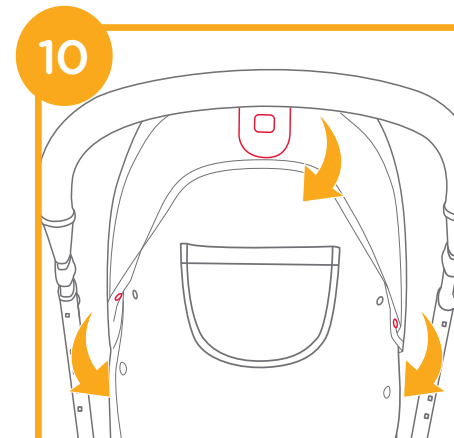
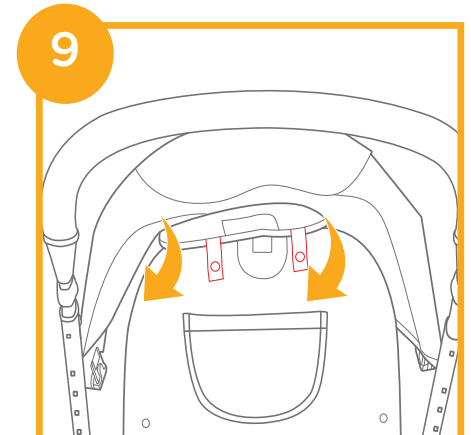
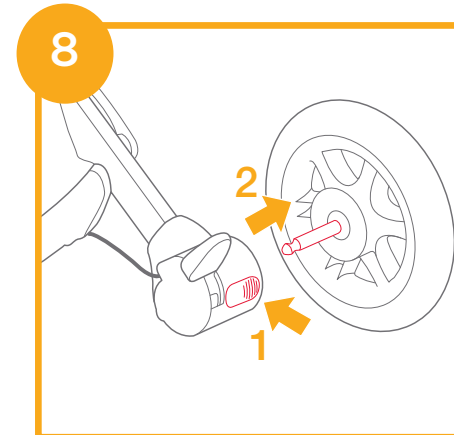
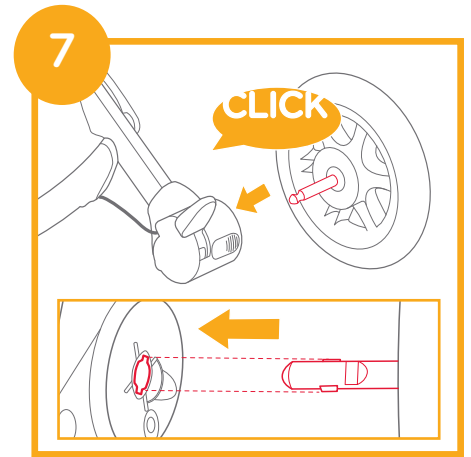
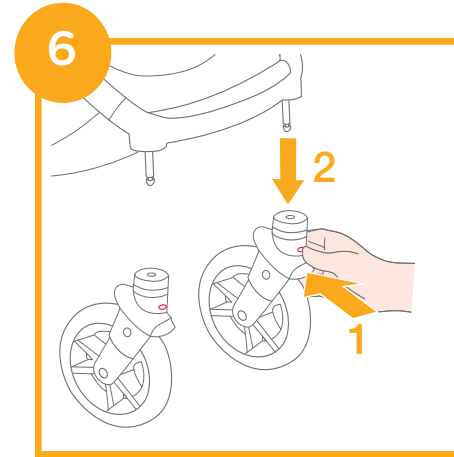
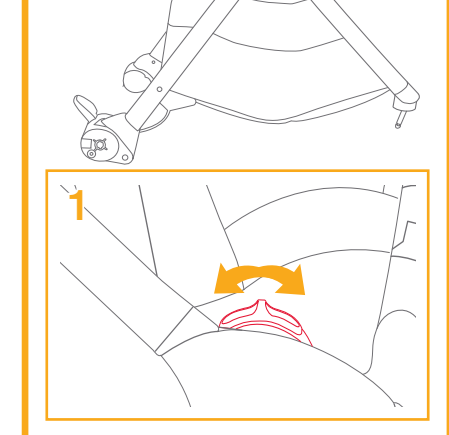
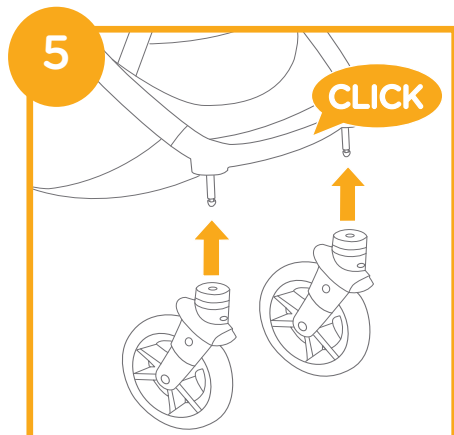
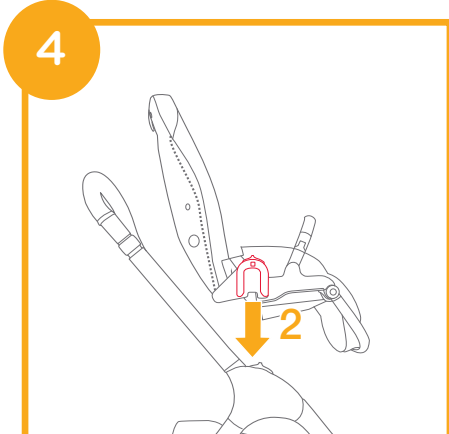
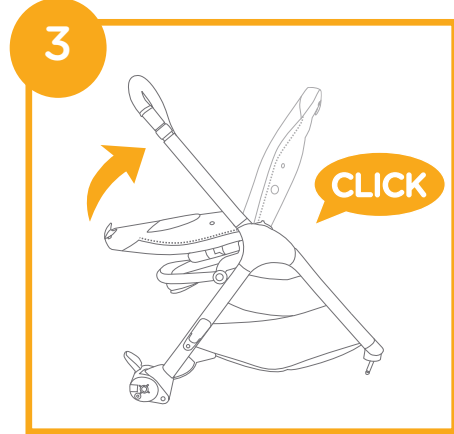
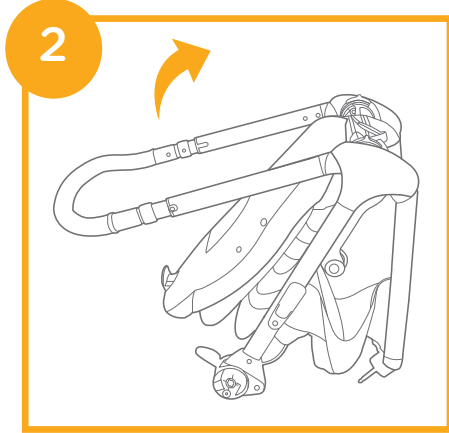
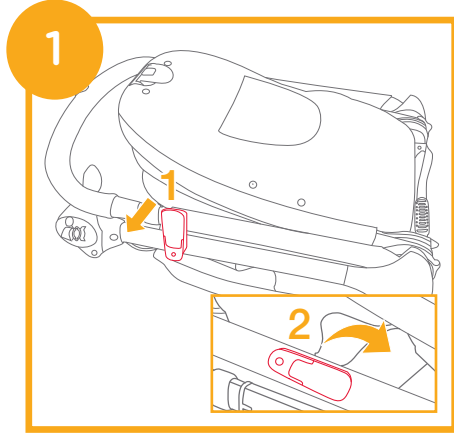
stroller

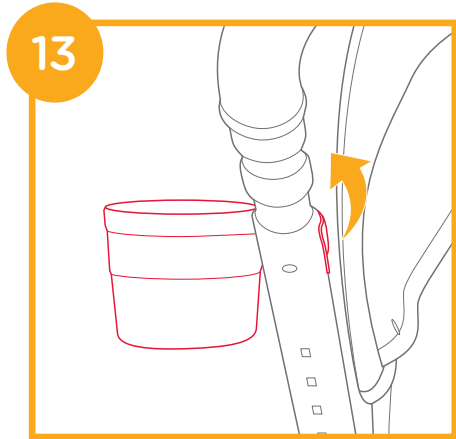
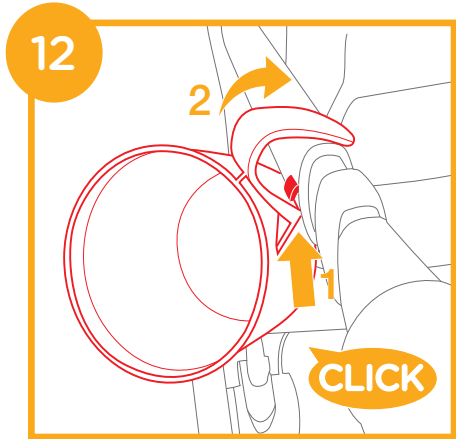
- GB Instruction Manual
- FR Manuel d'instructions
- DE Bedienungsanleitung
- ES Manual de instrucciones
- PT Manual de instruções
- IT Manuale di istruzioni
- EL Εγχειρίδιο χρήσης
- TR Kullanım Kılavuzu
- NL Instructiehandleiding
- PL Instrukcja obsługi
- CZ Návod k obsluze
- SK Návod na použitie
- RU Руководство по эксплуатации
- DA Brugervejledning
- SV Bruksanvisning
- FI Käyttöopas
- NO Instruksjonsbok
- AR دليل التعليمات
- LT Naudojimo instrukcija
- LV Lietošanas rokasgrāmata
- ET Kasutusjuhend
- HU Használati utasítás
- RO Manual de instrucțiuni
- HR Upute za uporabu



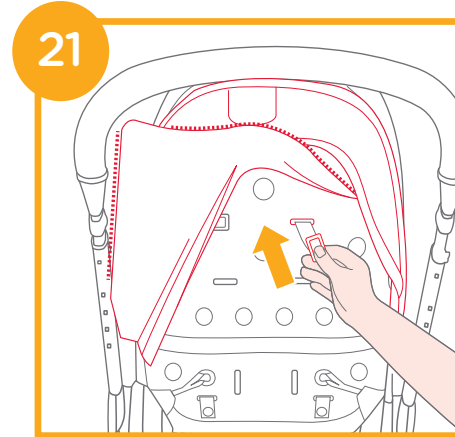
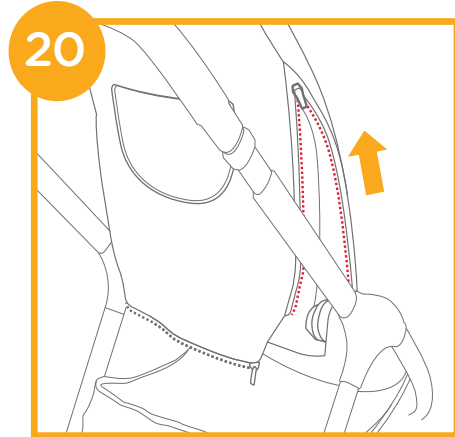
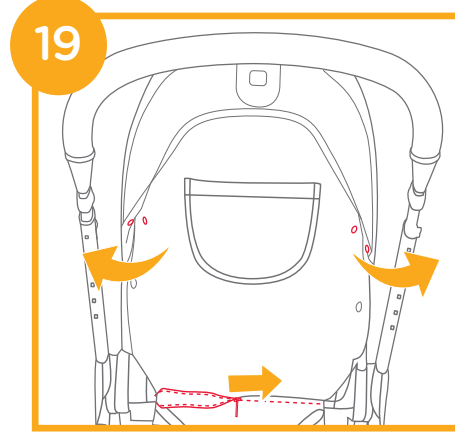
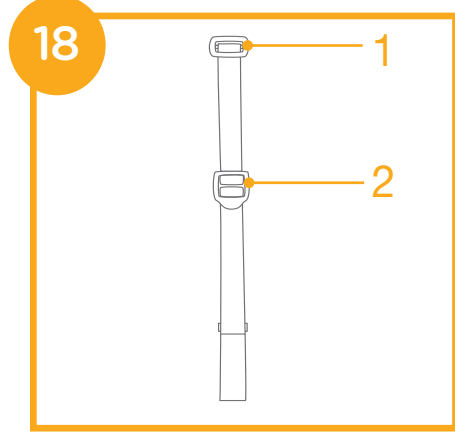
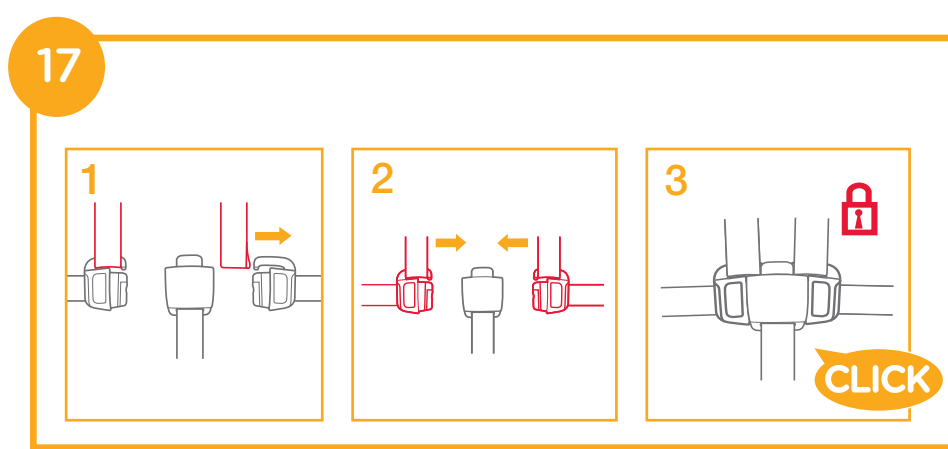
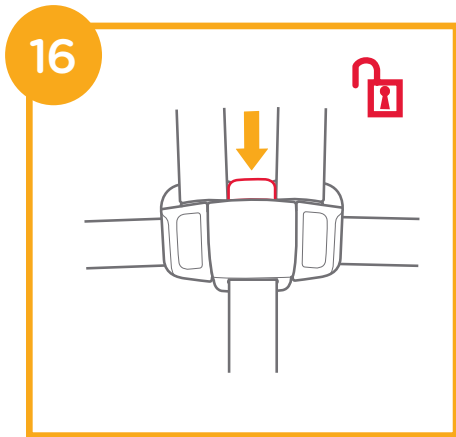
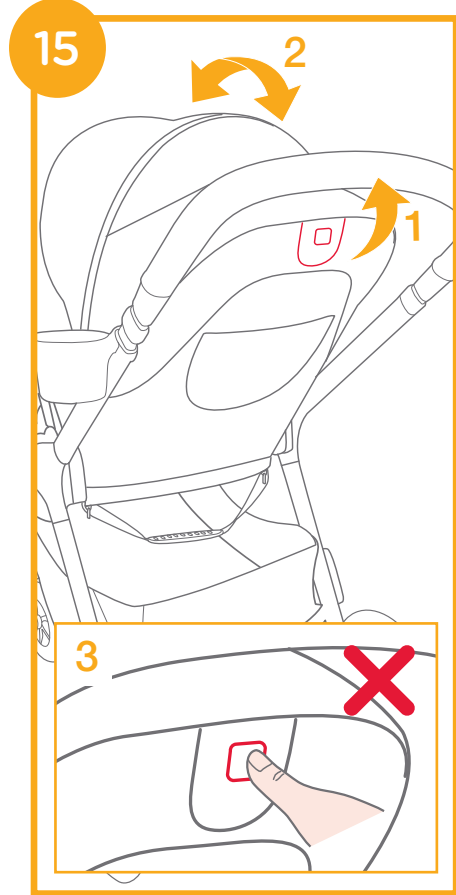
IMPORTANT - READ CAREFULLY AND KEEP FOR FUTURE REFERENCE.

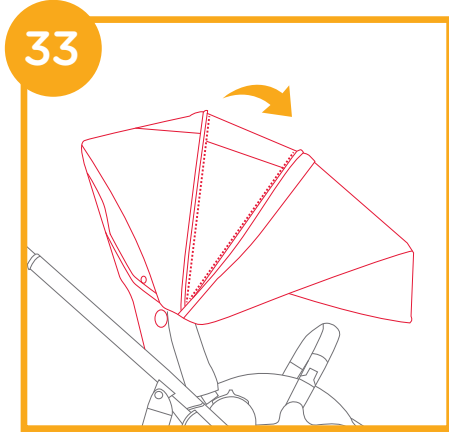
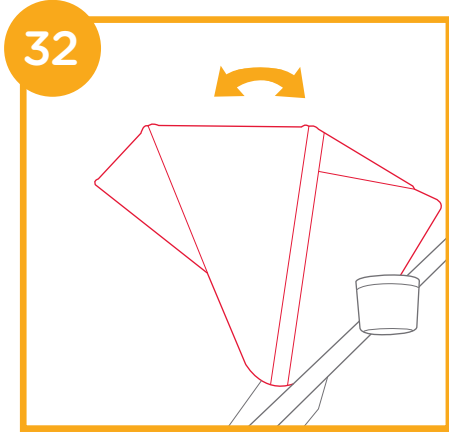
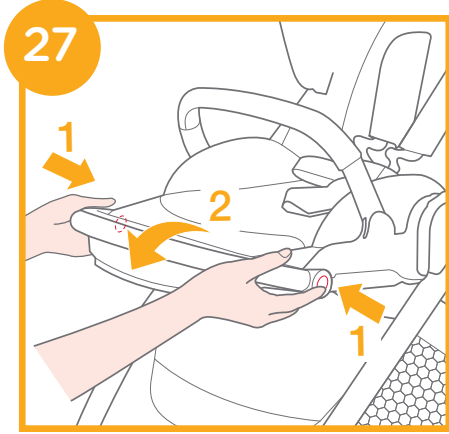
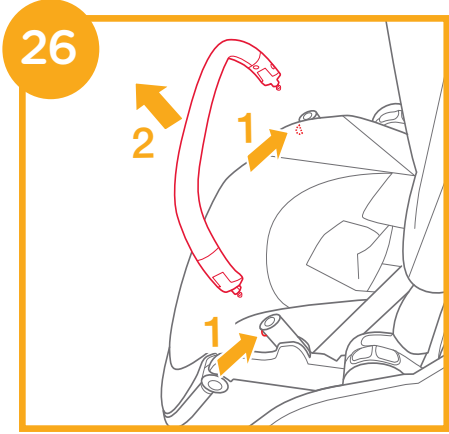
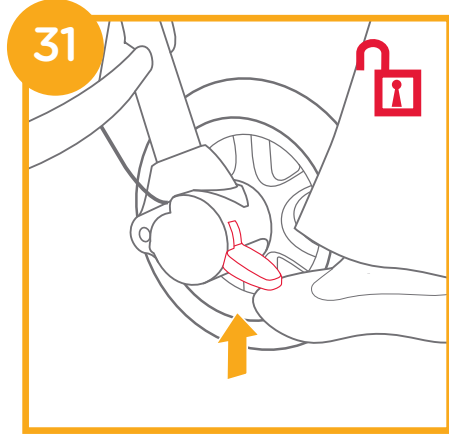
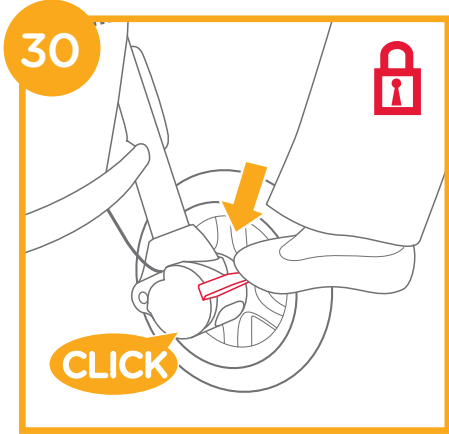
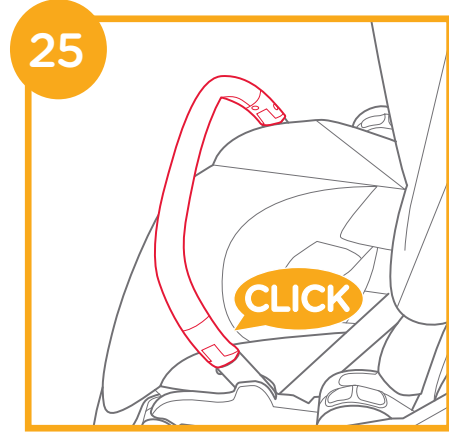
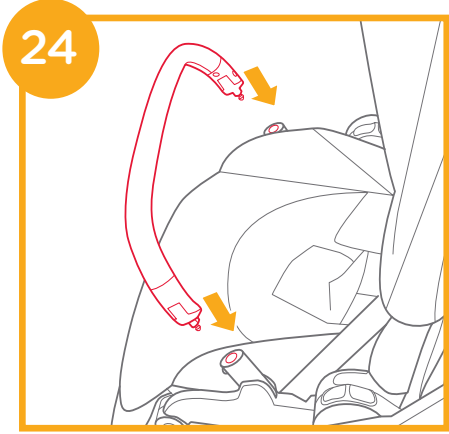
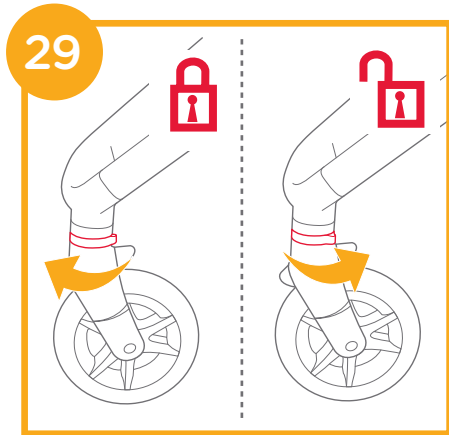
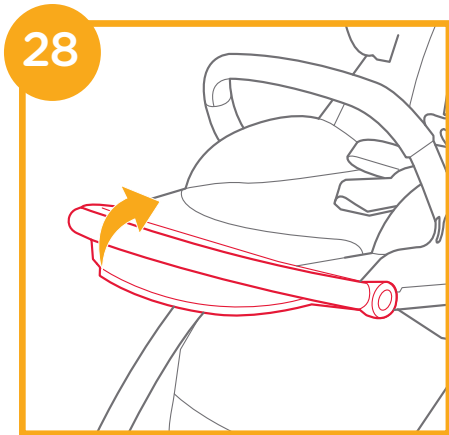
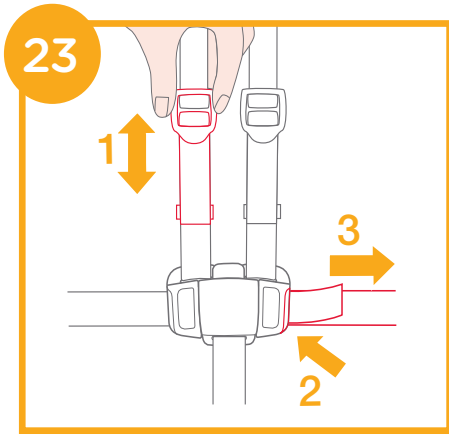
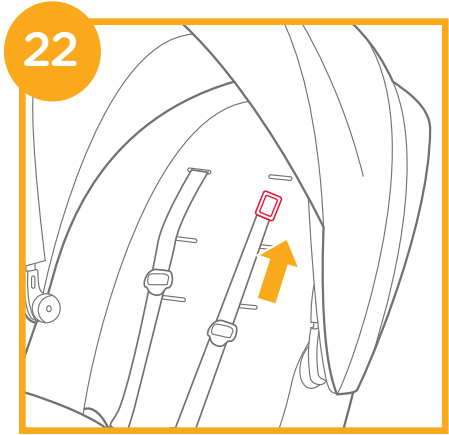
Stroller Assembly

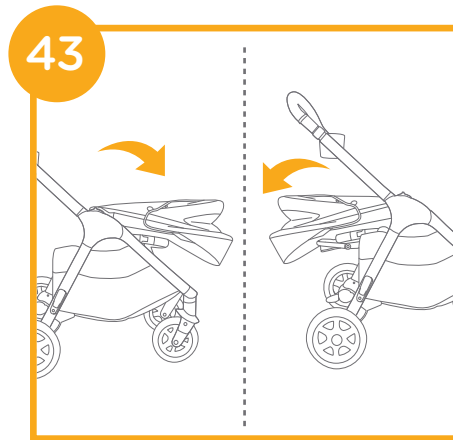
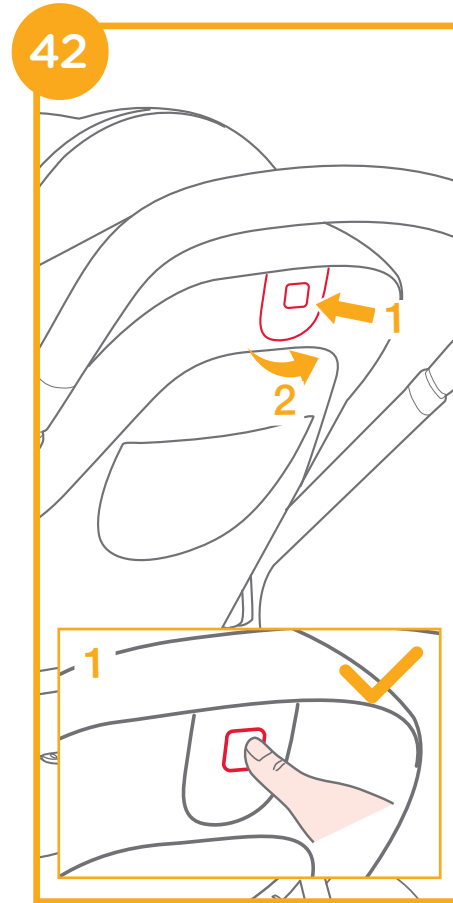
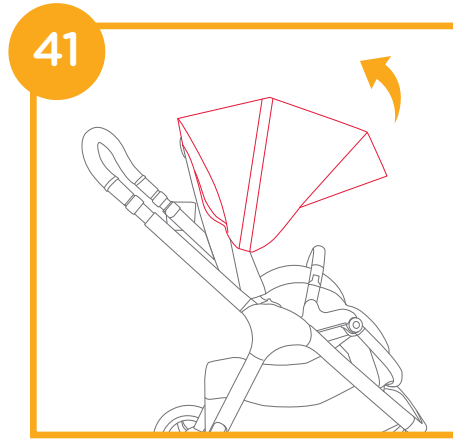
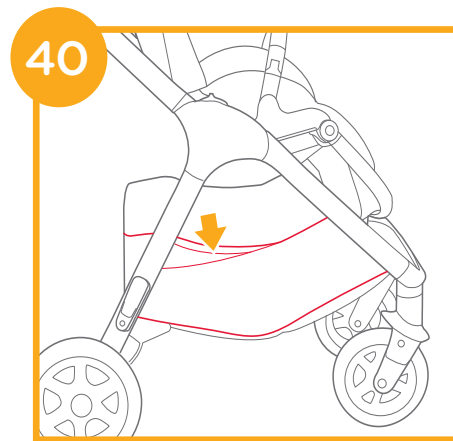
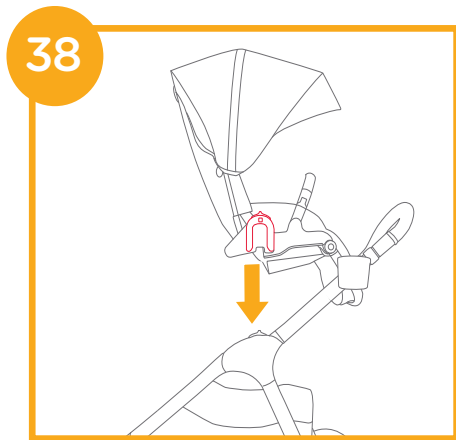
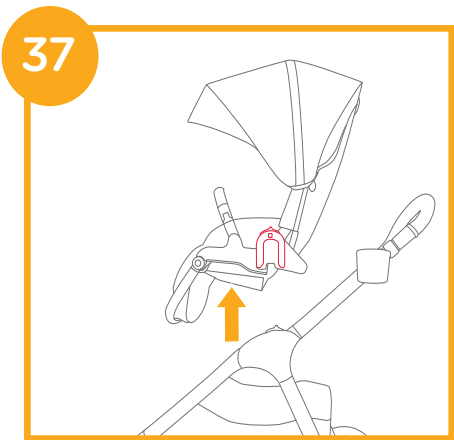
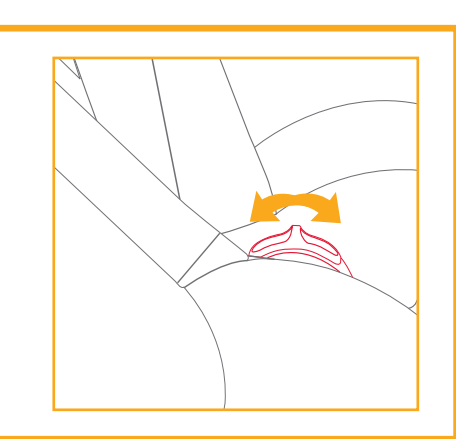
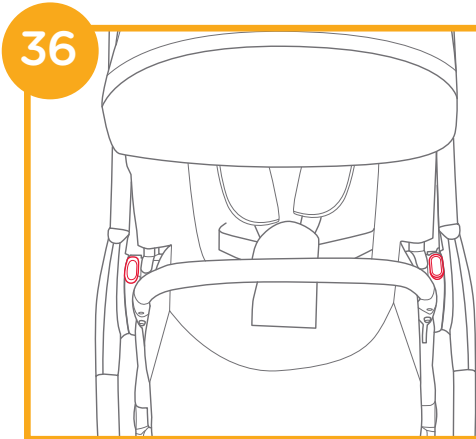
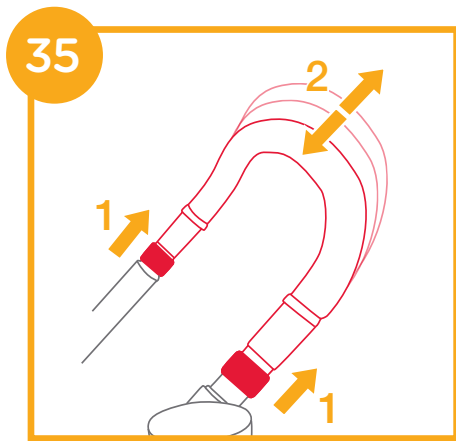
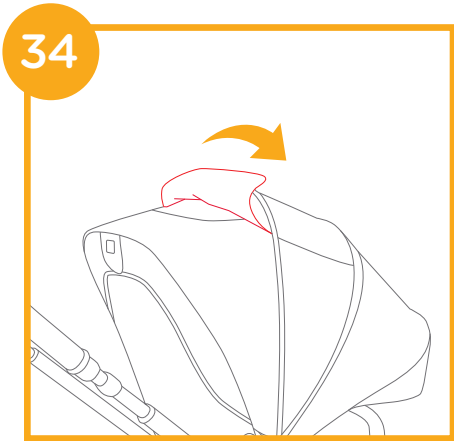


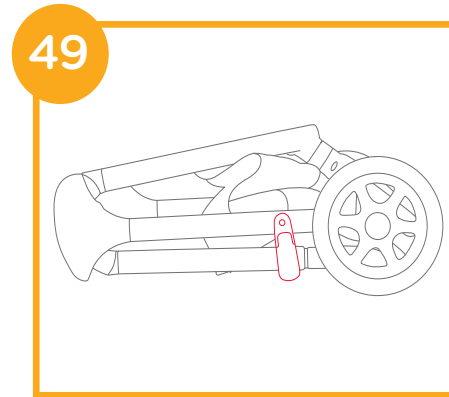
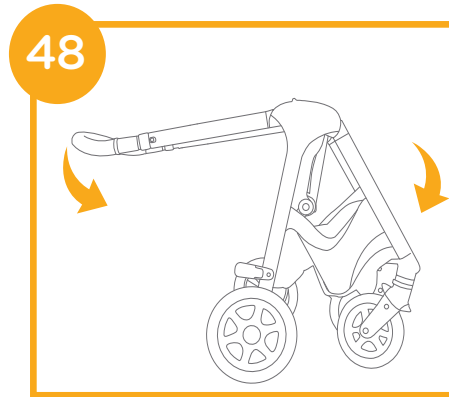
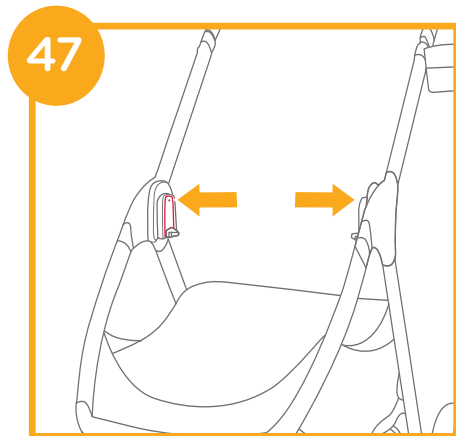
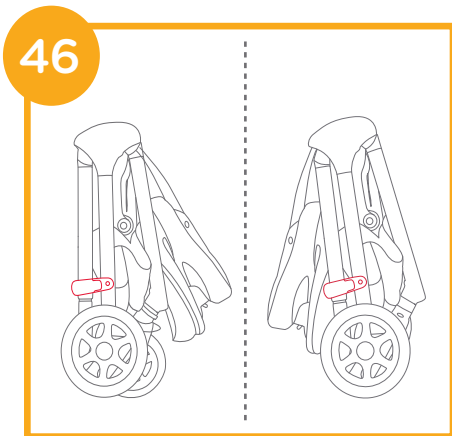
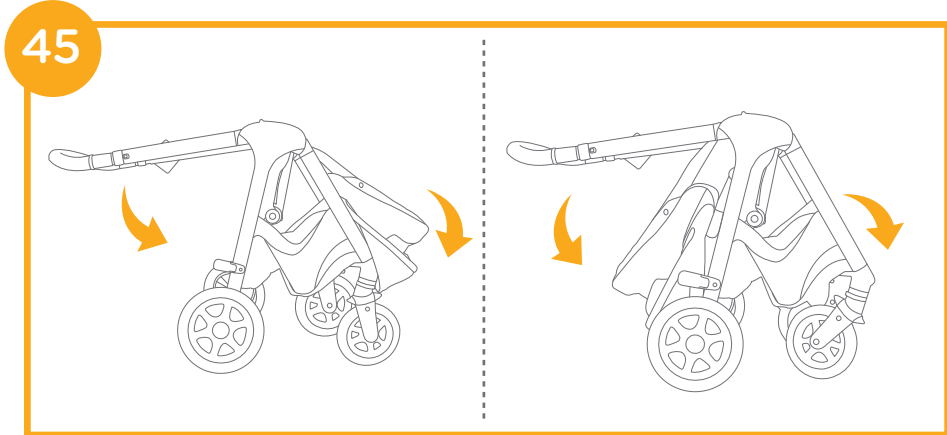
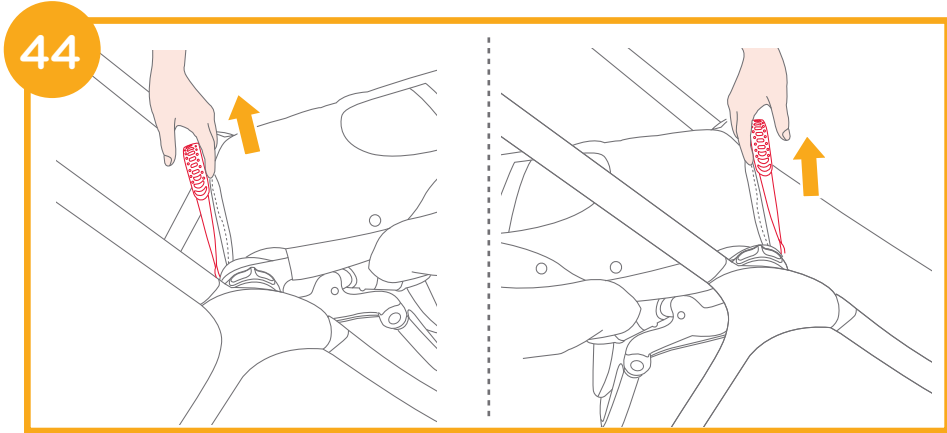


Stroller Operation

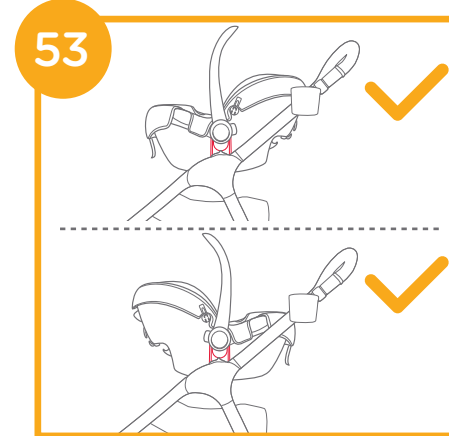
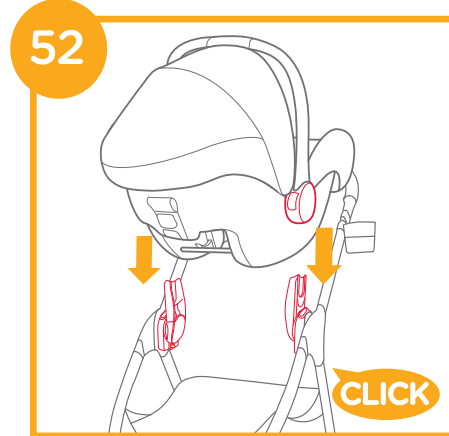
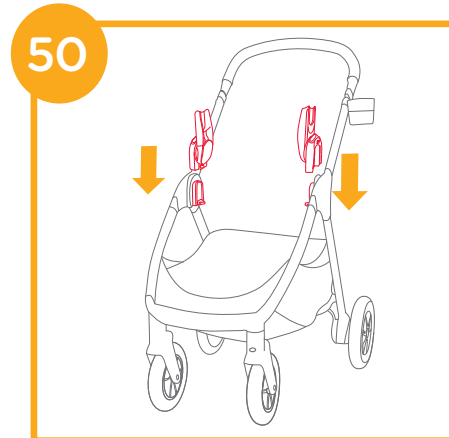


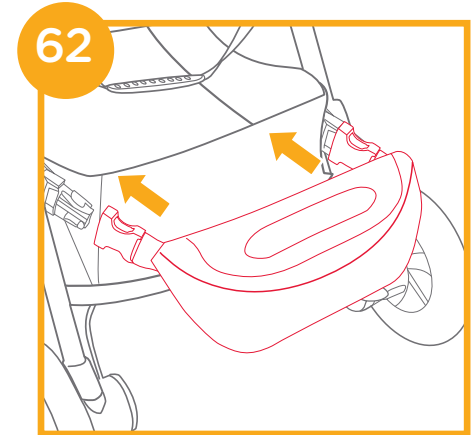
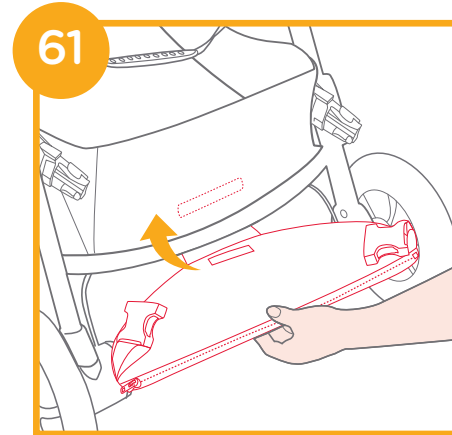
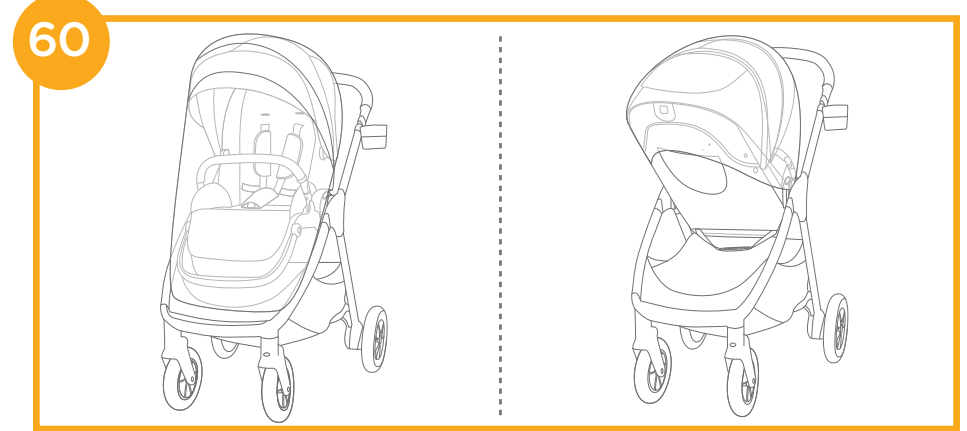
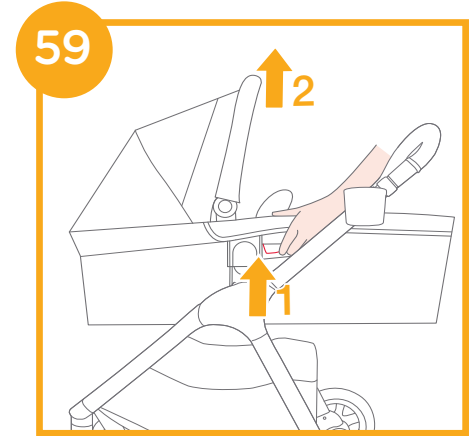
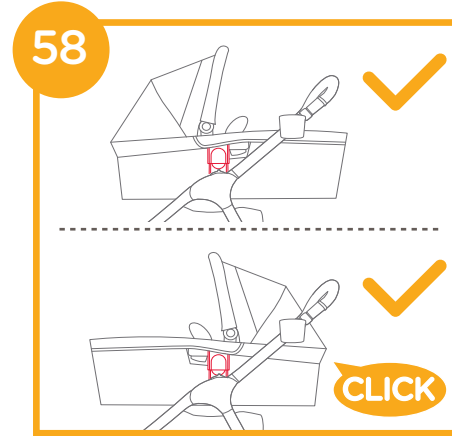
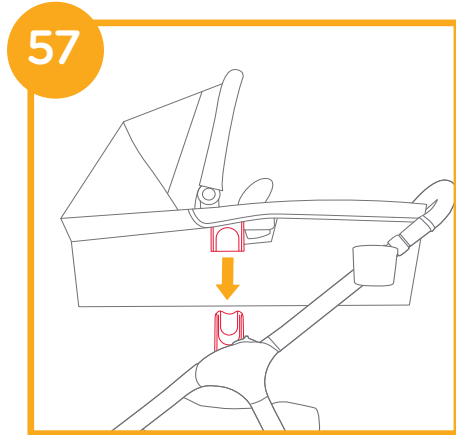
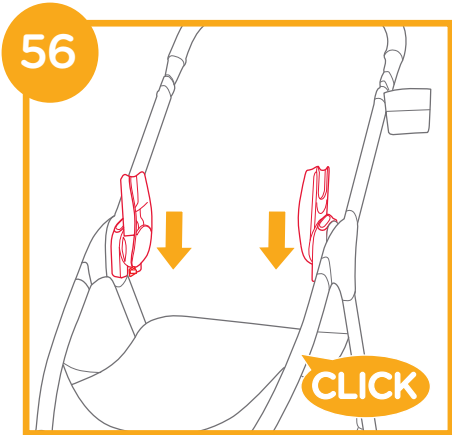
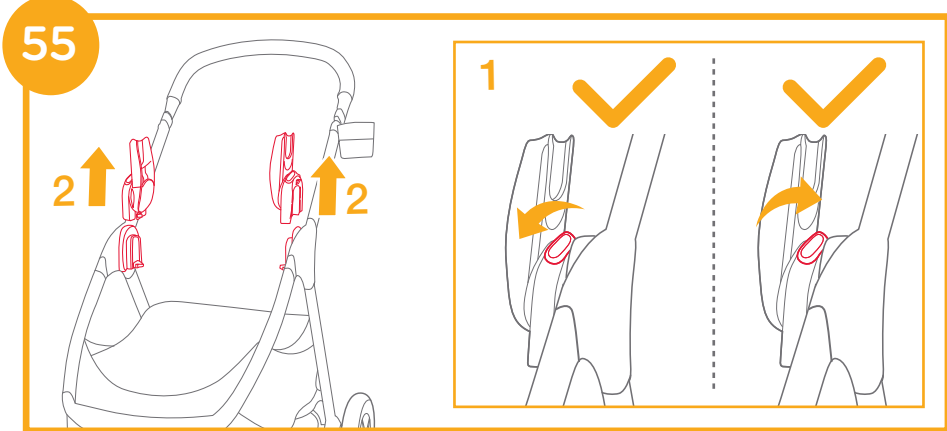
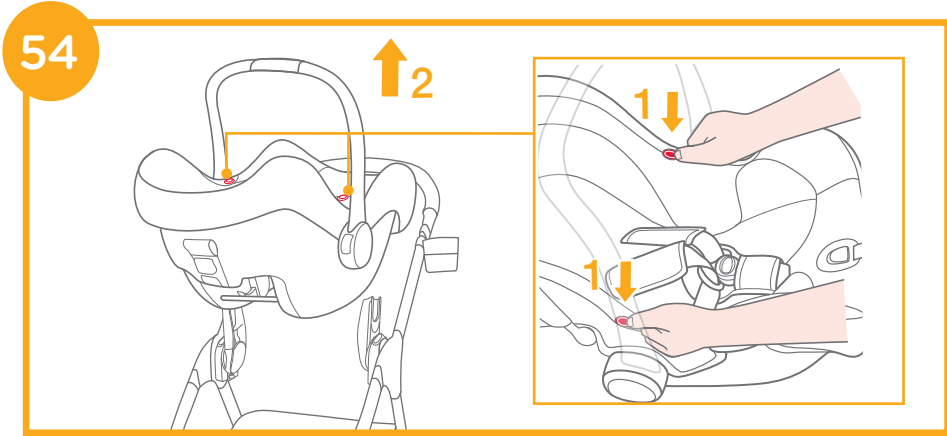


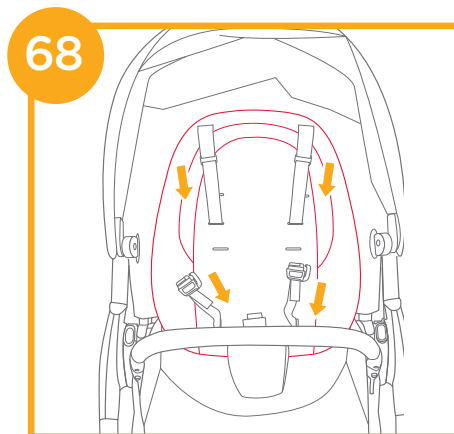
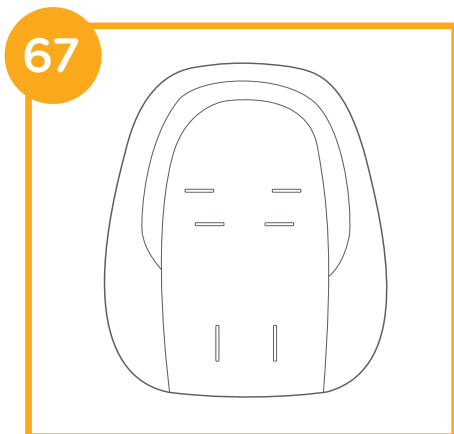
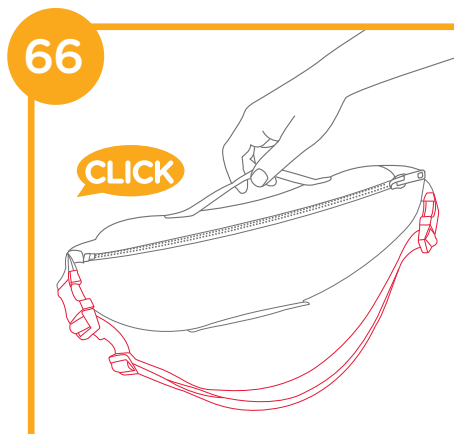
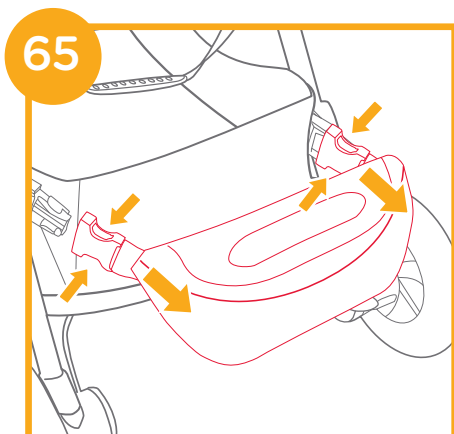
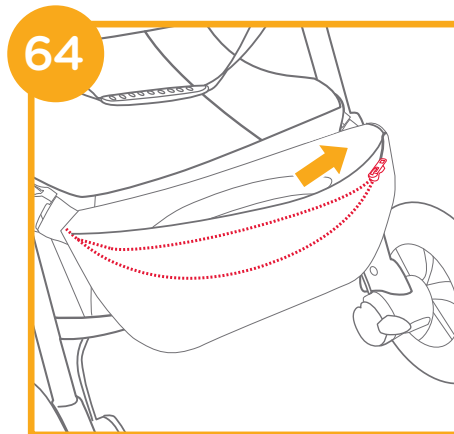
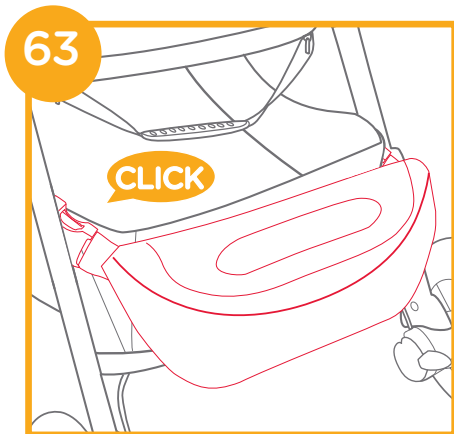




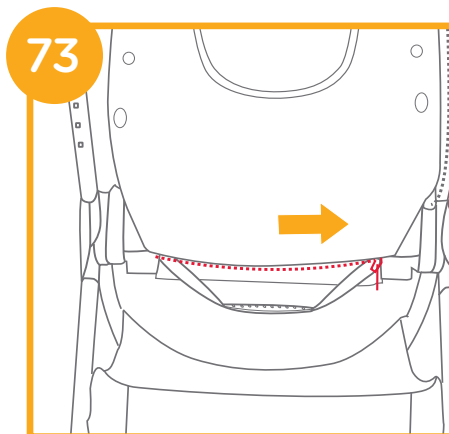
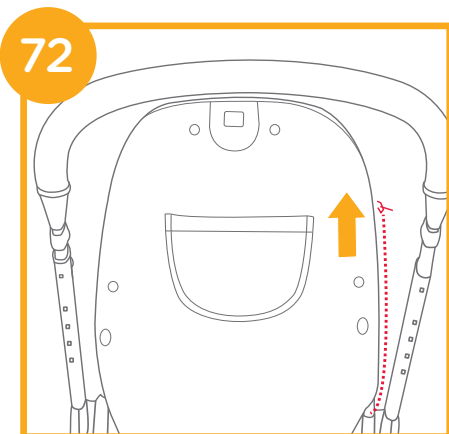
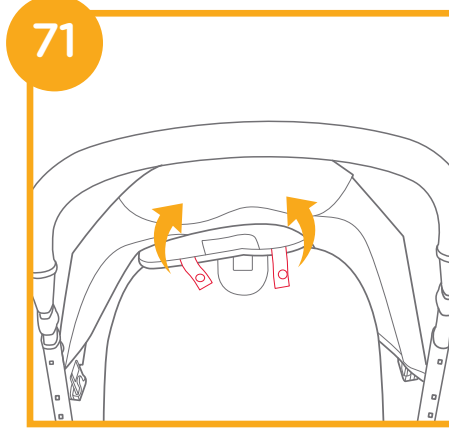
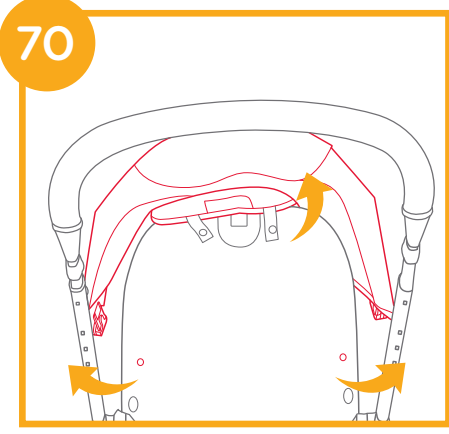
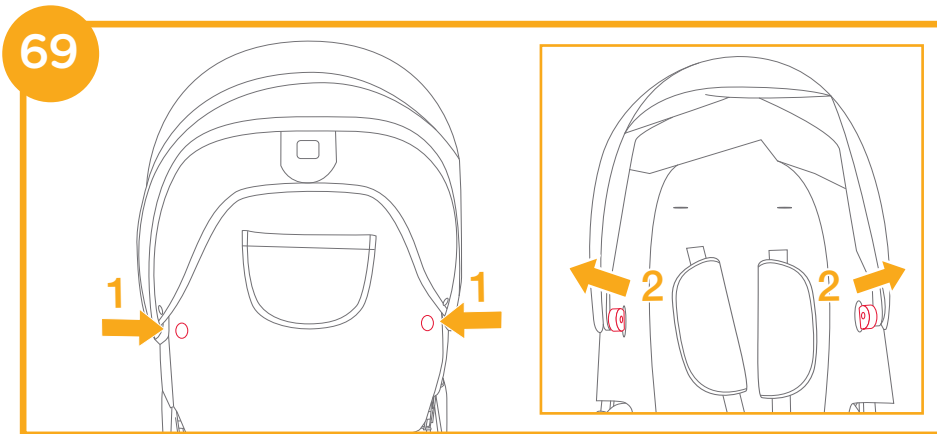
Accessories (May not be included in purchase)
 Accessories may be sold separately or may not be available depending on region.

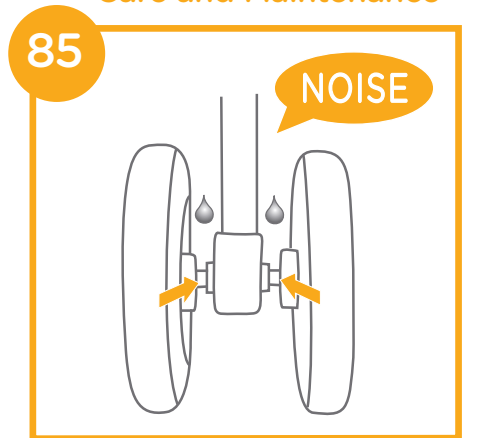
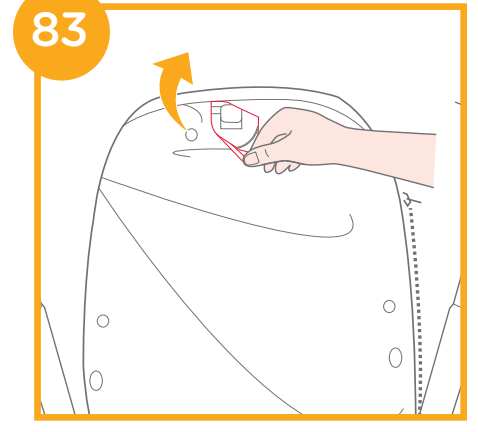
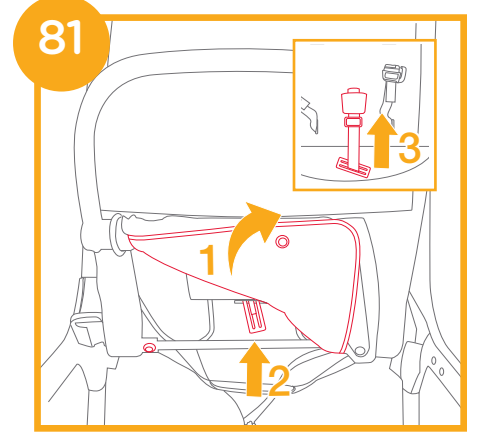
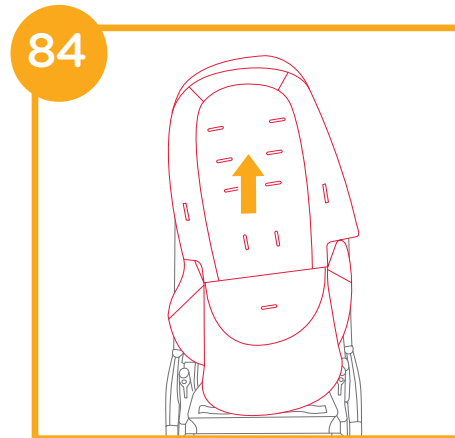
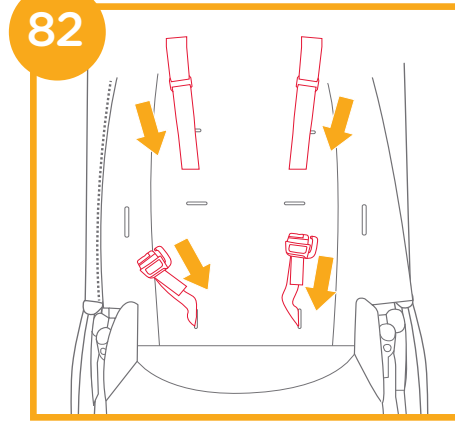
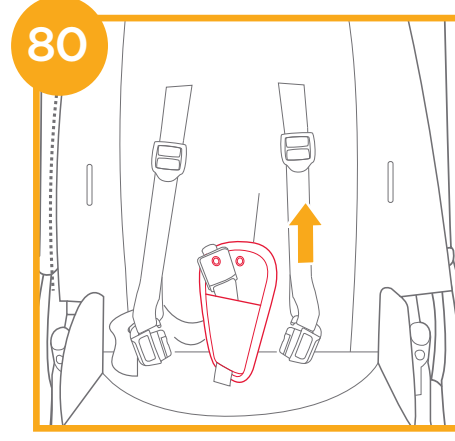
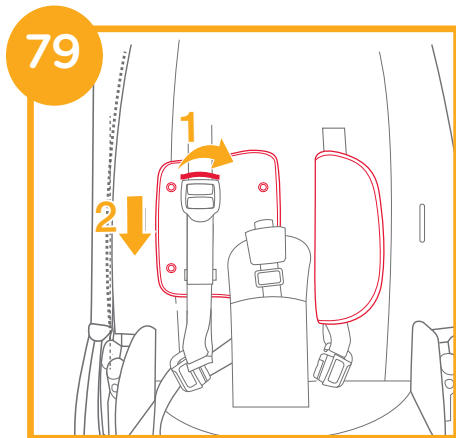
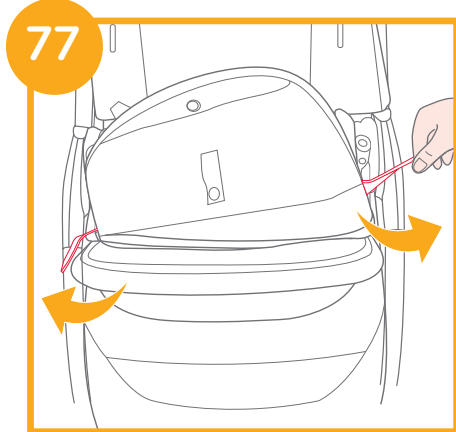
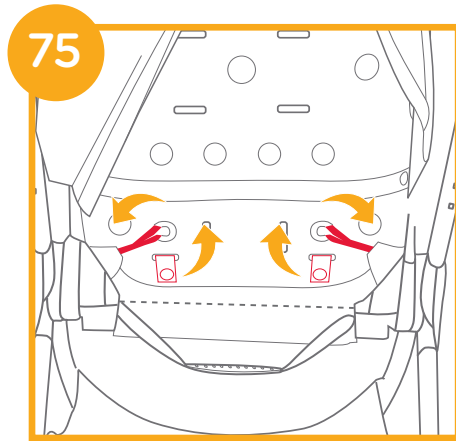
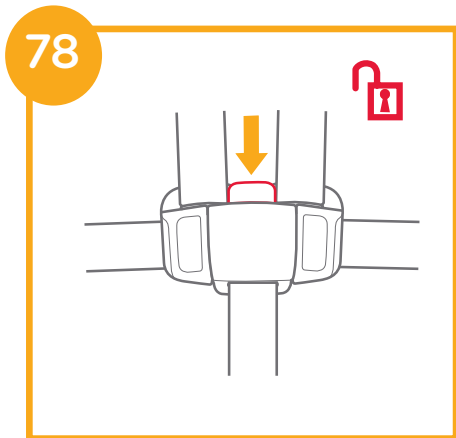
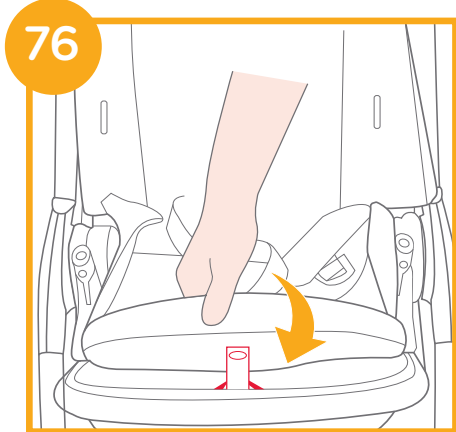
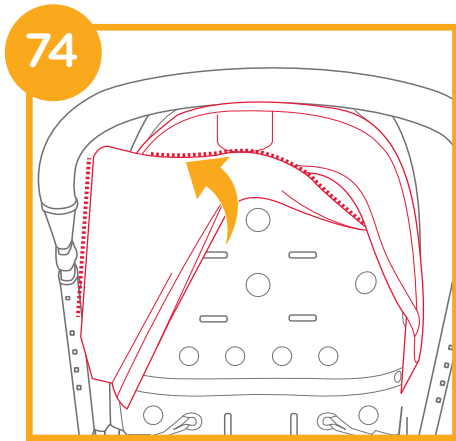






Detach & Assemble Soft Goods





Care and Maintenance

GB Welcome to Joie™

Congratulations on becoming part of the Joie family! We are so excited to be part of your journey with your little one. While traveling with the Joie Finiti™, you are using a high quality, fully certified stroller, approved to European safety standards EN 1888-2:2018. This product is suitable for children up to 22kg or 4 years whichever comes first. Please carefully read this manual and follow each step to ensure a comfortable ride and best protection for your child.

IMPORTANT - READ CAREFULLY AND KEEP FOR FUTURE REFERENCE.

Visit us at joiebaby.com to download manuals and see more exciting Joie products!

For warranty information, please visit our website at joiebaby.com

Contents

| | |
|-------------------------------|-----------|
| Figures | 1-16 |
| WARNING | 21 |
| Stroller Assembly | 23 |
| Open Stroller | 23 |
| Assemble & Detach Front Wheel | 23 |
| Assemble & Detach Rear Wheel | 23 |
| Assemble Canopy | 23 |
| Assemble & Detach Cupholder | 23 |

| | |
|---|-----------|
| Stroller Operation | 24 |
| Adjust Backrest | 24 |
| Use Buckle | 24 |
| Use Shoulder & Waist Harnesses | 25 |
| Use Armbar | 25 |
| Adjust Calf Support | 25 |
| Use Front Swivel Lock | 26 |
| Use Brake | 26 |
| Use Canopy | 26 |
| Adjust Handle | 26 |
| Switch Seat | 26 |
| Use Storage Bag | 26 |
| Fold Stroller | 27 |
| Use Accessories | 27 |
| Detach & Assemble Soft Goods | 29 |
| Cleaning and Maintenance | 29 |

Emergency

In case of emergency or accident, it is most important to have your child taken care of with first aid and medical treatment immediately.

Product Information

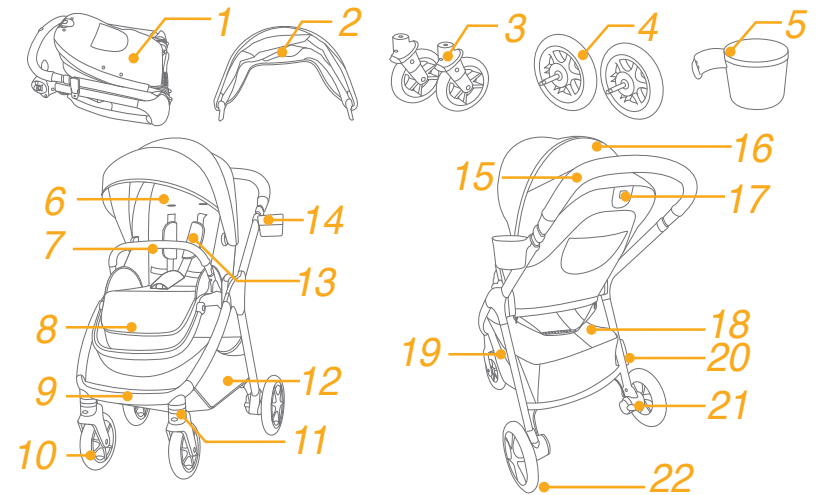
Read all the instructions in this manual before using this product. If you have any further questions, please consult the retailer. Some features may vary depending on model.

| | |
|---------------------|---|
| Product | Finiti Stroller |
| Suitable for | This product is suitable for children up to 22kg or 4 years whichever comes first |
| Materials | Plastics, metal, fabrics |
| Patent No. | Patents pending |
| Made in | China |
| Brand Name | Joie |
| Website | www.joiebaby.com |
| Manufacturer | Allison GmbH |

Parts List

Make sure all parts are available before assembly. If any part is missing, please contact local retailer. No tools are required for assembly.

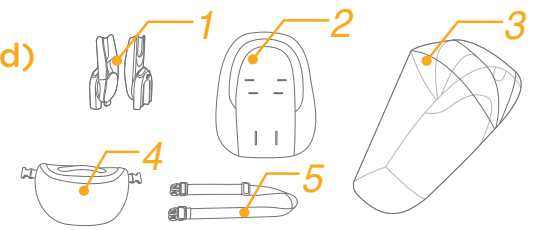
- | | |
|------------------|---------------------|
| 1 Stroller Frame | 12 Storage Basket |
| 2 Canopy | 13 Shoulder Harness |
| 3 Front Wheel | 14 Cupholder |
| 4 Rear Wheel | 15 Handle |
| 5 Cupholder | 16 Canopy Window |
| 6 Seat Pad | 17 Recline Handle |
| 7 Armbar | 18 Storage Bag |
| 8 Calf Support | 19 Storage Bag |
| 9 Footrest | 20 Storage Latch |
| 10 Front Wheel | 21 Brake Lever |
| 11 Swivel Lock | 22 Rear Wheel |



Accessories

(May not be included)

- | | |
|------------------|----------|
| 1 Adapter | 2 Insert |
| 3 Rain Cover | |
| 4 Storage Pocket | |
| 5 Carrying Belt | |



Accessories may be sold separately or may not be available depending on region.

WARNING

- ! WARNING Never leave the child unattended.
- ! WARNING Ensure that all the locking devices are engaged before use.
- ! WARNING To avoid injury ensure that the child is kept away when unfolding and folding this product.
- ! WARNING Do not let the child play with this product.
- ! WARNING This product is suitable for children up to 22kg or 4 years whichever comes first.
- ! WARNING Always use the restraint system.
- ! WARNING Check that the pram body or seat unit or car seat attachment devices are correctly engaged before use.
- ! This product is not suitable for running or skating.
- ! Use the stroller with a child weighing less than 22kg. It will cause damage to the stroller with an unfitted child.
- ! Pushchair designed to be used from birth shall recommend the use of the most reclined position for new born babies.
- ! The parking device shall be engaged when placing and removing children.
- ! To prevent a hazardous, unstable condition, do not place more than 4.5kg in the storage basket.
- ! The maximum recommended weight in the cupholder is 1lbs (0.5kg).
- ! Use the stroller with only one child at a time.
- ! Do not attach items to the handle, seat back or sides of the stroller. Any additional load will affect the stability of the stroller and could cause the stroller to tip.
- ! Any load attached to the handle and/or on the back of the backrest and/or on the sides of the stroller will affect the stability of the stroller.
- ! Accessories which are not approved by the manufacturer shall not be used. Only replacement parts supplied or recommended by the manufacturer shall be used.
- ! For infant child restraints used in conjunction with a chassis, this vehicle does not replace a cot or a bed. Should your child need to sleep, then it should be placed in a suitable pram body, cot or bed.

- ! To avoid suffocation, remove plastic bag and packaging materials before using this product. The plastic bag and packaging materials should then be kept away from babies and children.
- ! The Carry cot shall not be used, as soon as the child is able to sit by himself, roll over and can push itself up on its hands and knees. Maximum weight of the child: 9 kg.
- ! DO NOT use or add any mattress other than the one supplied with the carry cot.
- ! Adult assembly required.
- ! Please read all the instructions in the manual before using the product. Please save instruction manual for future use. Failure to follow these warnings and instructions may result in serious injury or death.
- ! To avoid serious injury from falling or sliding out, always use seat belt.
- ! Make sure your child's body is clear from the moving parts when adjusting the stroller.
- ! Never use stroller on stairs or escalators.
- ! Keep away from high temperature objects, liquids, and electronics.
- ! Never place the stroller on roads, slopes or dangerous areas.
- ! To avoid strangulation, DO NOT place items with a string around your child's neck, suspend strings from this product, or attach strings to toys.
- ! DO NOT use storage basket as a child carrier.
- ! To avoid finger entrapment, use care when folding and unfolding the stroller.
- ! To ensure your child's safety, please make sure all parts are assembled and fastened properly before using the stroller.
- ! To avoid strangulation, do make sure your child is clear from the canopy.
- ! Always engage the brakes when parking the stroller.
- ! Discontinue using stroller if it is damaged or broken.
- ! To avoid burns, never put hot liquids in your cupholder.
- ! No additional mattress shall be added unless recommended by the manufacturer

Stroller Assembly

(Please refer to figures on page 1-16)

Please read all the instructions in this manual before assembling and using this product.

Open Stroller

see images ① - ④

Separate storage latch from storage mount ①, and then lift the handle upwards ②, a click sound means the stroller is open completely.

The seat is reversible. ④

! Check that the stroller is completely latched before continuing to use.

Assemble & Detach Front Wheel

see images ⑤ - ⑥

Assemble & Detach Rear Wheel

see images ⑦ - ⑧

Assemble Canopy

see images ⑨ - ⑪

Assemble & Detach Cupholder

see images ⑫ - ⑬

The completely assembled stroller is shown as ⑭

Stroller Operation

Adjust Backrest

see image ⑮

There are 4 recline angles for the backrest.

To raise or recline the backrest, rotate the recline handle on the back of the seat, pull down on the backrest. ⑮

! Please do not press the releasing button ⑮ - 3 on the middle of the recline handle when adjusting the angle for the recline.

! Make sure the recline is set properly for use.

! The maximum load of storage pocket on the back of backrest is 0.45kg.

Use Buckle

see images ⑯ - ⑰

Release Buckle

Press the button, the buckle will release automatically. ⑯

Lock Buckle

Match the waist belt buckle with the shoulder buckle ⑰ - 1, and align them with the center buckle, the buckle can lock automatically. ⑰ - 2 A “click” sound means the buckle is locked completely. ⑰ - 3

! To avoid serious injury from falling or sliding out, always secure your child with harness.

! Make sure your child is snugly secured. The space between the child and the shoulder harness is about the thickness of one hand.

! Do not cross the shoulder belts. This will cause pressure on a child's neck.

Use Shoulder & Waist Harnesses

see images 18 - 23

! In order to protect your child from falling out, after your child is placed into the seat, check whether the shoulder and waist harnesses are at proper height and length.

18 - 1 Shoulder harness anchor

18 - 2 Slide adjuster

For larger child, use shoulder harness anchor and the highest shoulder slots. For smaller child, use shoulder harness anchor and the lowest shoulder slots.

To adjust the position of the shoulder harness anchor, turn the anchor to be level with the side facing forward. Thread it through the shoulder harness slot from back to front. 21
Rethread it through the slot that is closest to child's shoulder height. 22

Use slide adjuster to change the harness length. 23 - 1

Press the button 23 - 2, while pulling the waist harness to proper length. 23 - 3

Use Armbar

see images 24 - 26

Adjust Calf Support

see images 27 - 28

The calf support has 2 positions.

To lower calf support, press the adjustment buttons on both sides of the calf support 27 - 1, and rotate the calf support downwards. 27 - 2

To raise the calf support, push it upwards. A "click" sound means the calf is locked completely.

Use Front Swivel Lock

see images 29

Rotate swivel lock left to orient, Rotate Swivel Lock right to release 29

Tip It is recommended to use swivel lock on uneven surfaces.

Use Brake

see images 30 - 31

To lock wheels, step the brake lever downwards. 30

To release wheels, just lift the brake lever upwards. 31

Tip Always set the parking brake when stroller is not moving.

Use Canopy

see images 32 - 34

The canopy can be opened completely to protect your child from the sun uttermostly, just unzip the zip 33, and then pull the canopy toward front.

Adjust Handle

see images 35

Switch Seat

see images 36 - 39

Use Storage Bag

see images 40

The maximum load of each storage bag on the both side of basket is 0.45kg.

Fold Stroller

see images 41 - 49

- ! The button on the middle of the recline handle is used for folding the seat. 42 - 1
- ! The folded stroller can stand when the handle is in the lowest position. 46
- ! The storage latch will automatically hook onto the storage mount, then the stroller is folded and locked completely. 46 49

Use Accessories

Accessories may be sold separately or may not be available depending on region.

Use with Infant Child Restraint

see images 50 - 55

When using with Joie infant child restraint iGem 2 & iLevel & iSnug please refer to the following instructions.

- ! A “click” sound means the adapter is locked completely.
- ! If you have any problems about using the infant child restraint, please refer to their own instruction manuals.
- ! Please do not fold the stroller when the infant child restraint is still attached.

Use Carry Cot

see images 56 - 59

When using with Joie ramble, ramble xl carry cot, please refer to the following instructions.

- ! A “click” sound means the adapter is locked completely.
- ! Always use the mattress when using the carry cot.

! If you have any problems about using the carry cot, please refer to their own instruction manuals.

! Please do not fold the stroller when the carry cot is still attached.

Use Rain Cover

see images 60

To assemble the rain cover, place it over the seat.

- ! When using the rain cover, please always check its ventilation.
- ! When not in use, please check that the rain cover has been cleaned and dried before folding.
- ! Do not fold the stroller after assembling the rain cover.
- ! Do not place your child into the stroller assembled with rain cover during hot weather.

Use Storage Pocket

see images 61 - 66

Total maximum weight of storage pocket must not exceed 1kg.

Storage Pocket can be removed from basket to use separately. 66

Use Insert

see images 67 - 68

Detach & Assemble Soft Goods

see images 69 - 84

Remove armbar shown as 26

To re-assemble seat soft goods, follow the steps above in reverse 84 - 69

Cleaning and Maintenance

see images 85

- ! To clean stroller frame, use only household soap and warm water. No bleach or detergent. Please refer to the care label for instructions on cleaning the fabric parts of the stroller.
- ! Removable soft goods can be washed by machine. No bleach. Do not twist the seat cover and inner padding to dry with great force. It may leave the seat cover and inner padding with wrinkles.
- ! From time to time, check your stroller for loose screws, worn parts, torn material or stitching. Replace or repair the parts as needed. Periodically wipe clean plastic parts with a soft damp cloth. Always dry the metal parts to prevent the formation of rust if the stroller has come into contact with water.
- ! Excessive exposure to sun or heat could cause fading or warping of parts.
- ! If stroller becomes wet, open canopy and allow to dry thoroughly before storing.
- ! If wheels squeak, use a light oil (e.g., Silicon Spray, antirust oil, or sewing machine oil). It is important to get the oil into the axle and wheel assembly. 85
- ! When using your stroller at the beach or other sandy/dusty environments, completely clean your stroller after use to remove sand and salt from mechanisms and wheel assemblies.

FR Joie™ vous souhaite la bienvenue

Nous vous félicitons d'avoir rejoint la famille Joie ! Nous sommes très heureux de pouvoir faire partie de votre voyage avec votre petit. Lorsque vous voyagez avec le Joie Finiti™, vous utilisez une poussette de haute qualité, pleinement certifiée et approuvée par les normes de sécurité européennes EN 1888-2:2018. Ce produit convient aux enfants jusqu'à 22 kg ou 4 ans, selon la première éventualité. Veuillez lire ce manuel et suivre chaque étape pour assurer le confort et la meilleure protection possible pour votre enfant.

IMPORTANT - LISEZ ATTENTIVEMENT CES INSTRUCTIONS ET CONSERVEZ-LES POUR CONSULTATION ULTÉRIEURE.

Visitez notre site joiebaby.com pour télécharger des manuels et découvrir encore plus de superbes produits Joie !

Pour des informations sur la garantie, veuillez visiter notre site Web sur joiebaby.com

Sommaire

| | |
|---|-----------|
| Figures | 1-16 |
| AVERTISSEMENT | 35 |
| Assemblage de la poussette | 38 |
| Ouvrir la poussette | 38 |
| Assemblage et retrait des roues avant | 38 |
| Assemblage et retrait des roues arrière | 38 |
| Assemblage de la voilure | 38 |
| Assemblage et retrait du porte-gobelet | 38 |

| | |
|---|-----------|
| Fonctionnement de la poussette | 39 |
| Réglage du dossier | 39 |
| Utilisation de la boucle | 39 |
| Utilisation des harnais d'épaules et de taille | 40 |
| Utilisation de la barre de retenue | 40 |
| Réglage du repose-mollets | 40 |
| Utilisation des verrouillages de pivotement avant | 41 |
| Utilisation du frein | 41 |
| Utilisation de la voilure | 41 |
| Ajustement de la poignée | 41 |
| Basculement du siège | 41 |
| Utilisation du sac de rangement | 41 |
| Pliage de la poussette | 42 |
| Utilisation des accessoires | 42 |
| Détacher et assembler les parties souples | 44 |
| Nettoyage et maintenance | 44 |

Urgence

En cas d'urgence ou d'accident, il est très important de prendre immédiatement soin de votre enfant en lui prodiguant les soins de premiers secours puis en le faisant examiner par un médecin.

Informations sur le produit

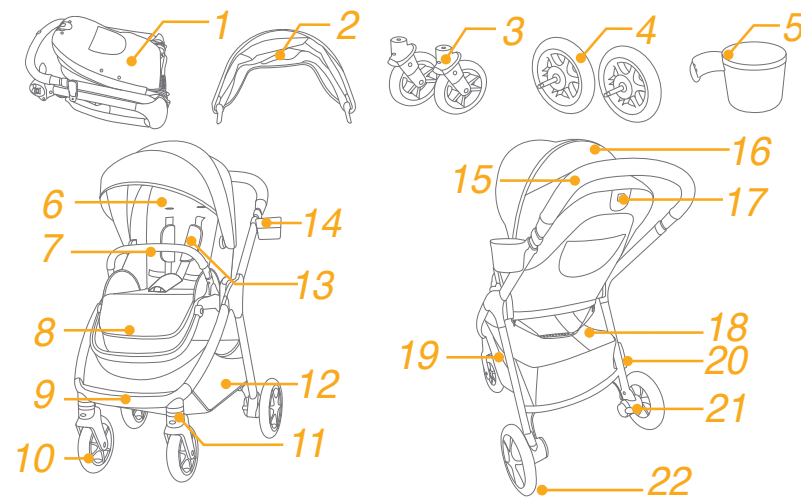
Lisez toutes les instructions de ce manuel avant d'utiliser ce produit. Pour toutes questions supplémentaires, veuillez consulter le revendeur. Certaines fonctionnalités peuvent ne pas être présentes sur certains modèles.

| | |
|---------------|--|
| Produit | Poussette Finiti |
| Convient aux | Ce produit convient aux enfants jusqu'à 22 kg ou 4 ans, selon la première éventualité. |
| Matériaux | Plastiques, métal, tissus |
| N° brevet | Brevets en attente |
| Fabriqué en | Chine |
| Nom de marque | Joie |
| Site Web | www.joiebaby.com |
| Fabricant | Allison GmbH |

Liste des pièces

Assurez-vous que toutes les pièces sont présentes avant le montage. Si une pièce est manquante, contactez votre revendeur local. Le montage ne nécessite aucun outil.

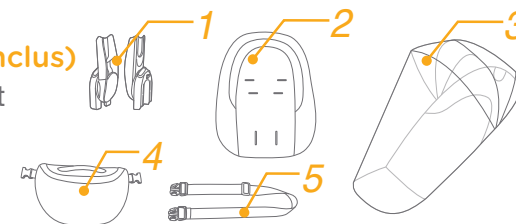
- | | | | |
|----|----------------------------|----|-----------------------|
| 1 | Cadre de poussette | 12 | Panier de rangement |
| 2 | Voilure | 13 | Harnais d'épaules |
| 3 | Roues avant | 14 | Porte-gobelet |
| 4 | Roues arrière | 15 | Poignée |
| 5 | Porte-gobelet | 16 | Fenêtre de la voilure |
| 6 | Assise de siège | 17 | Poignée d'inclinaison |
| 7 | Barre de retenue | 18 | Sac de rangement |
| 8 | Repose-mollets | 19 | Sac de rangement |
| 9 | Repose-pieds | 20 | Loquet de rangement |
| 10 | Roues avant | 21 | Levier de frein |
| 11 | Verrouillage de pivotement | 22 | Roues arrière |



Accessoires

(Peuvent ne pas être inclus)

- | | | | |
|---|-----------------------|---|--------|
| 1 | Adaptateurs | 2 | Insert |
| 3 | Housse de pluie | | |
| 4 | Poche de rangement | | |
| 5 | Ceinture de transport | | |



Les accessoires peuvent être vendus séparément ou ne pas être disponibles selon la région.

AVERTISSEMENT

- ! AVERTISSEMENT Ne laissez jamais l'enfant sans surveillance.
- ! AVERTISSEMENT Avant d'utiliser le produit, assurez-vous que tous les dispositifs de verrouillage sont enclenchés.
- ! AVERTISSEMENT Afin d'éviter les blessures, assurez-vous que votre enfant est tenu à l'écart lors du pliage et du dépliage de ce produit.
- ! AVERTISSEMENT Ne laissez pas votre enfant jouer avec ce produit.
- ! AVERTISSEMENT Convient aux enfants jusqu'à 22 kg ou 48 mois.
- ! AVERTISSEMENT Utilisez toujours le système de retenue.
- ! AVERTISSEMENT Avant d'utiliser le produit, assurez-vous que les dispositifs de fixation sur le châssis de la poussette, sur le siège ou sur le fauteuil de la voiture sont correctement enclenchés.
- ! Ce produit ne convient pas pour faire du jogging ou des promenades en rollers.
- ! Utilisation de la poussette avec un enfant pesant moins de 22kg. Cela endommagera la poussette avec un enfant non installé.
- ! Il est conseillé d'utiliser la poussette dans sa position la plus inclinée pour les nouveau-nés.
- ! Le dispositif de stationnement doit être enclenché lorsque vous placez ou retirez l'enfant de la poussette.
- ! Pour éviter des situations dangereuses ou instables, ne placez pas plus de 4,5 kg dans le panier de rangement.
- ! Le poids maximum recommandé dans le porte-gobelet est 1 lb (0,5 kg).
- ! Utilisez la poussette avec un seul enfant à la fois.
- ! N'attachez pas d'éléments à la poignée, au dossier du siège ou aux côtés de la poussette. Une charge supplémentaire affectera la stabilité de la poussette et peut causer le basculement de la poussette.
- ! Les charges attachées à la poignée et/ou au dos du dossier et/ou sur les côtés de la poussette affectent la stabilité de la

poussette.

- ! Les accessoires non homologués par le fabricant ne doivent pas être utilisés. Seules des pièces de rechange fournies ou conseillées par le fabricant doivent être utilisées.
- ! Cette poussette ne remplace pas un berceau ni un lit même lorsque le dispositif de retenue pour bébé/enfant est utilisé. Si votre enfant a besoin de dormir, il doit être placé dans un landau, un berceau ou un lit approprié.
- ! Pour éviter les risques de suffocation, enlevez le sac en plastique et les éléments d'emballage avant d'utiliser ce produit. Le sac en plastique et les matériaux d'emballage doivent être conservés hors de la portée des bébés et des enfants.
- ! La nacelle est adaptée aux enfants qui ne parviennent pas à s'asseoir, se retourner ou marcher à quatre pattes sans assistance. Poids maximum de l'enfant : 9 kg.
- ! N'utilisez PAS de matelas autre que celui fourni avec la nacelle.
- ! L'assemblage du produit doit être effectué par un adulte.
- ! Lisez toutes les consignes de ce manuel avant d'utiliser le produit. Conservez le guide d'utilisation pour toute référence future. Le non respect des avertissements ou des consignes peut entraîner des blessures graves, voir la mort.
- ! Utilisez toujours la ceinture de sécurité pour éviter que l'enfant ne se blesse en tombant ou en glissant du siège.
- ! Assurez-vous que votre enfant ne soit pas en contact avec des pièces mobiles lors du réglage de la poussette.
- ! N'utilisez jamais la poussette dans des escaliers ou des escaliers mécaniques.
- ! Ne placez pas dans la poussette des objets chauds, des liquides ou des appareils électroniques.
- ! Ne placez jamais la poussette sur la route, dans une pente ou à un endroit dangereux.
- ! Pour éviter tout étranglement, ne placez AUCUN objet avec une ficelle autour du cou de votre enfant, ne suspendez aucune ficelle à ce produit, et n'attachez aucune ficelle aux jouets.
- ! N'utilisez PAS le panier de rangement comme un porte-bébé.

- ! Pour éviter le coincement des doigts, faites attention lors du pliage et du dépliage de la poussette.
- ! Pour assurer la sécurité de votre enfant, assurez-vous que toutes les pièces sont assemblées et fixées correctement avant d'utiliser la poussette.
- ! Pour éviter un étranglement, assurez-vous que votre enfant est éloigné de la voilure.
- ! Mettez toujours les freins lorsque vous stationnez la poussette.
- ! Il ne faut plus utiliser la poussette si elle est endommagée ou cassée.
- ! Pour éviter les brûlures, ne mettez jamais de liquides chauds dans le porte-gobelet.
- ! Ce produit convient aux enfants jusqu'à 22 kg ou 4 ans, selon la première éventualité.

Assemblage de la poussette

(Veuillez consulter les figures en page 1-16)

Lisez toutes les instructions du présent manuel avant d'assembler et d'utiliser ce produit.

Ouverture de la poussette

voir les images ① - ④

Séparez le loquet de rangement du support de stockage ①, puis levez la poignée vers le haut ②, un son de clic signifie que la poussette est complètement ouverte.

Le siège est réversible. ④

! Vérifiez que la poussette est complètement verrouillée avant de poursuivre.

Assemblage et retrait des roues avant

voir les images ⑤ - ⑥

Assemblage et retrait des roues arrière

voir les images ⑦ - ⑧

Assemblage de la voilure

voir les images ⑨ - ⑪

Assemblage et retrait du porte-gobelet

voir les images ⑫ - ⑬

La poussette complètement assemblée est illustrée ⑭

Fonctionnement de la poussette

Réglage du dossier

voir l'image 15

Il existe 4 angles d'inclinaison pour le dossier.

Pour relever ou incliner le dossier, tournez la poignée d'inclinaison à l'arrière du siège, tirez sur le dossier vers le bas. 15

! Veuillez ne pas appuyer sur le bouton de déverrouillage 15 - 3 au milieu de la poignée d'inclinaison lors du réglage de l'angle de l'inclinaison.

! L'inclinaison doit être réglée correctement avant utilisation.

! La charge maximale de la poche de rangement à l'arrière du dossier est de 0,45 kg.

Utilisation de la boucle

voir les images 16 - 17

Déverrouillage de la boucle

Appuyez sur le bouton, la boucle s'ouvrira automatiquement.

16

Verrouillage de la boucle

Faites correspondre la boucle de ceinture avec la boucle d'épaule 17 - 1, et alignez-les avec la boucle centrale, la boucle se verrouillera automatiquement. 17 - 2 Vous entendrez un « clic » signifiant que la boucle est complètement verrouillée. 17 - 3

! Attachez toujours votre enfant avec un harnais pour éviter que l'enfant ne se blesse en tombant ou en glissant du siège.

! Vérifiez que votre enfant est bien attaché. L'espace entre l'enfant et le harnais d'épaules doit faire environ l'épaisseur d'une main.

! Ne croisez pas les ceintures d'épaules. Autrement cela entraîne une pression sur le cou de l'enfant.

Utilisation des harnais d'épaules et de taille

voir les images 18 - 23

! Pour protéger votre enfant d'une chute, vérifiez que les harnais d'épaules et de taille sont à la bonne hauteur et la bonne longueur une fois l'enfant placé dans le siège.

18 - 1 Ancrage du harnais d'épaules

18 - 2 Dispositif de réglage coulissant

Pour les enfants de grande taille, utilisez le point d'ancrage du harnais d'épaules et les fentes les plus élevées au niveau des épaules. Pour les enfants de petite taille, utilisez le point d'ancrage du harnais d'épaules et les fentes les plus basses au niveau des épaules.

Pour régler la position du point d'ancrage du harnais d'épaules, retournez l'œillet face avant de manière à être au même niveau. Le passer à travers la fente du harnais d'épaules, de l'arrière vers l'avant. 21 Enfilez-le à nouveau dans l'emplacement le plus proche de la hauteur des épaules de l'enfant. 22

Utilisez le dispositif d'ajustement coulissant pour modifier la longueur du harnais. 23 - 1

Appuyez sur le bouton 23 - 2, tout en tirant sur le harnais à la taille jusqu'à la longueur appropriée. 23 - 3

Utilisation de la barre de retenue

voir les images 24 - 26

Réglage du repose-mollets

voir les images 27 - 28

Le repose-mollets comprend 2 positions.

Pour abaisser le repose-mollets, appuyez sur les boutons d'ajustement des deux côtés du repose-mollets 27 - 1, puis faites-le tourner vers le bas. 27 - 2

Pour remonter le repose-mollets, poussez-le vers le haut. Vous entendrez un « clic » signifiant que le repose-mollets est complètement verrouillé.

Utilisation des verrouillages de pivotement avant

voir les images 29

Tourner les verrouillages vers la gauche pour bloquer le pivotement, tournez les verrouillages vers la droite pour libérer le pivotement. 29

Conseil Il est recommandé d'utiliser les verrouillages de pivotement sur les surfaces irrégulières.

Utilisation du frein

voir les images 30 - 31

Pour verrouiller les roues, abaissez le levier du frein. 30

Pour libérer les roues, soulevez le levier du frein. 31

Conseil Mettez toujours le frein lorsque la poussette est à l'arrêt.

Utilisation de la voilure

voir les images 32 - 34

La voilure peut être ouverte complètement pour protéger votre enfant du soleil au maximum, ouvrez simplement la fermeture éclair 33, puis tirez la voilure vers l'avant.

Ajustement de la poignée

voir les images 35

Changer le siège

voir les images 36 - 39

Utilisation du sac de rangement

voir les images 40

La charge maximale de chaque sac de rangement sur les deux cotés du panier est de 0,45 kg.

Pliage de la poussette

voir les images 41 - 49

! Le bouton au milieu de la poignée d'inclinaison sert à plier le siège. 42 - 1

! La poussette pliée peut se tenir debout lorsque la poignée est dans la position la plus basse. 46

! Le loquet de stockage se fixera automatiquement sur le support de stockage, la poussette est alors pliée et verrouillée complètement. 46 49

Utilisation des accessoires

Les accessoires peuvent être vendus séparément ou ne pas être disponibles selon la région.

Utilisation avec un dispositif de retenue pour bébé/enfant

voir les images 50 - 55

En cas d'utilisation avec le dispositif de retenue pour bébé/enfant iGemm 2 & iLevel & iSnug de Joie, veuillez suivre les instructions suivantes.

! Vous entendrez un « clic » si l'adaptateur est complètement verrouillé.

! Si vous rencontrez des problèmes concernant l'utilisation du dispositif de retenue pour bébé/enfant, veuillez consulter son manuel d'utilisation.

! Veuillez ne pas plier la poussette lorsque le dispositif de retenue pour bébé/enfant est encore attaché.

Utilisation de la nacelle

voir les images 56 - 59

En cas d'utilisation avec la nacelle Joie ramble xl, veuillez consulter les instructions suivantes.

- ! Vous entendrez un « clic » si l'adaptateur est complètement verrouillé.
- ! Utilisez toujours le matelas lorsque vous utilisez la nacelle.
- ! Si vous rencontrez des problèmes lors de l'utilisation de la nacelle, veuillez consulter son manuel d'instructions.
- ! Veuillez ne pas plier la poussette lorsque la nacelle est toujours attachée.

Utilisation de la housse de pluie

voir les images 60

Pour assembler la housse de pluie, placez-la au-dessus du siège.

- ! Lorsque vous utilisez la housse de pluie, vérifiez toujours sa ventilation.
- ! Lorsque la housse de pluie n'est pas utilisée, il faut s'assurer qu'elle est propre et sèche avant de la ranger.
- ! Ne pliez pas la poussette lorsque la housse de pluie est installée.
- ! Ne placez pas votre enfant dans la poussette avec la housse de pluie installée par temps chaud.

Utilisation de la poche de rangement

voir les images 61 - 66

Le poids total de la poche de rangement ne doit pas dépasser 1kg.

La poche de rangement peut être retirée du panier pour être utilisée séparément. 66

Utilisation de l'insert

voir les images 67 - 68

Détacher et assembler les parties souples

voir les images 69 - 84

Retirez la barre de retenue présentée en 26

Pour ré-assembler les parties souples du siège, suivez les étapes ci-dessus dans l'ordre inverse 84 - 69

Nettoyage et maintenance

voir les images 85

- ! Pour nettoyer le cadre de la poussette, utilisez uniquement du savon ménager avec de l'eau chaude. Il ne faut utiliser aucun agent de blanchiment ni détergent. Veuillez consulter l'étiquette d'entretien pour des instructions sur le nettoyage des pièces en tissu de la poussette.
- ! Les parties souples amovibles peuvent être lavées à la machine. Il ne faut utiliser aucun agent de blanchiment. N'essorez pas la housse de siège et le rembourrage interne avec trop de force. Cela pourrait laisser des plis sur la housse de siège et le rembourrage interne.
- ! Vérifiez régulièrement la présence de vis desserrées, de parties usées, de matériaux déchirés ou décousus sur la poussette. Remplacez ou réparez les pièces endommagées si nécessaire. Essuyez de temps à autre les pièces en plastique avec un chiffon doux humide. Séchez toujours les pièces métalliques pour empêcher la formation de rouille si la poussette est entrée en contact avec de l'eau.
- ! L'exposition excessive au soleil ou à la chaleur peut décolorer ou déformer les pièces.
- ! Si la poussette est mouillée, ouvrez la voilure et laissez-la sécher complètement avant de la ranger.

- ! Si les roues grincent, utilisez une huile légère (ex. lubrifiant siliconé, huile antirouille ou huile pour machine à coudre). Il est important que l'huile pénètre dans les moyeux des roues. 85
- ! En cas d'utilisation de votre poussette à la plage ou dans d'autres environnements sablonneux/poussiéreux, nettoyez-la complètement après utilisation pour enlever le sable et le sel des mécanismes et des assemblages de roues.

DE Willkommen bei Joie™

Glückwunsch, dass Sie ein Mitglied der Joie-Familie sind! Wir freuen uns, nun ein Teil Ihres Lebens mit Nachwuchs zu sein. Mit dem Joie Finiti™, nutzen Sie einen hochwertigen, vollständig zertifizierten Kinderwagen, der der europäischen Sicherheitsnorm EN 1888-2:2018 entspricht. Dieses Produkt eignet sich für Kinder bis 22 kg oder 4 Jahre, was auch immer zuerst eintritt. Lesen Sie diese Anleitung sorgfältig durch und beachten Sie die einzelnen Schritte zur Gewährleistung einer komfortablen Fahrt und optimalen Sicherheit für Ihr Kind.

WICHTIG - BITTE SORGFÄLTIG DURCHLESEN UND FÜR ZUKÜNFTIGE VERWENDUNG AUFBEWAHREN.

Besuchen Sie uns unter joiebaby.com, um Anleitungen herunterzuladen und weitere tolle Joie-Produkte kennenzulernen!

Inhalt

| | |
|--|-----------|
| Abbildungen | 1-16 |
| WARNUNG | 51 |
| Kinderwagen montieren | 54 |
| Kinderwagen aufklappen | 54 |
| Vorderräder montieren und demontieren | 54 |
| Hinterräder montieren und demontieren | 54 |
| Verdeck montieren | 54 |
| Getränkehalter montieren und demontieren | 54 |

| | |
|--|-----------|
| Kinderwagen bedienen | 55 |
| Rückenlehne anpassen | 55 |
| Gutverschluss verwenden | 55 |
| Schulter- und Taillengurte anlegen | 56 |
| Spielbügel verwenden | 56 |
| Beinauflage anpassen | 56 |
| Vorderräder feststellen | 57 |
| Feststellbremse verwenden | 57 |
| Verdeck verwenden | 57 |
| Schiebebügel einstellen | 57 |
| Sitz ausrichten | 57 |
| Aufbewahrungsfächer verwenden | 57 |
| Kinderwagen zusammenklappen | 58 |
| Zubehör verwenden | 58 |
| Textilteile anbringen und entfernen | 60 |
| Reinigung und Wartung | 60 |

Notfall

Bei einem Notfall oder Unfall muss Ihr Kind unverzüglich erste Hilfe bekommen und medizinisch versorgt werden.

Produktinformationen

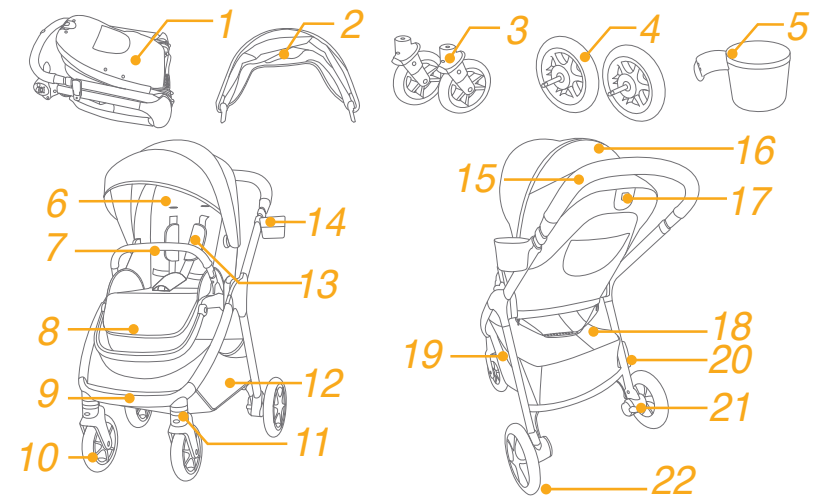
Lesen Sie alle Hinweise in dieser Anleitung, bevor Sie dieses Produkt einsetzen. Bei weiteren Fragen wenden Sie sich an Ihren Händler. Einige Bestandteile können je nach Modell variieren.

| | |
|-----------------------|---|
| Produkt | Kinderwagen Finiti |
| Geeignet für | Dieses Produkt eignet sich für Kinder bis 22 kg oder 4 Jahre, was auch immer zuerst eintritt. |
| Materialien | Kunststoff, Metall, Stoff |
| Patent-Nr. | Patente angemeldet |
| Hergestellt in | China |
| Markenname | Joie |
| Webseite | www.joiebaby.com |
| Hersteller | Allison GmbH |

Teileliste

Überprüfen Sie vor der Montage, ob alle Teile vorhanden sind. Falls etwas fehlen sollte, wenden Sie sich an Ihren Händler vor Ort. Für die Montage werden keine Werkzeuge benötigt.

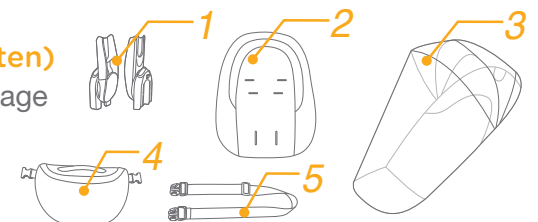
- | | |
|----------------------|--------------------------|
| 1 Kinderwagengestell | 12 Ablagekorb |
| 2 Verdeck | 13 Schultergurt |
| 3 Vorderrad | 14 Becherhalter |
| 4 Hinterrad | 15 Schiebebügel |
| 5 Becherhalter | 16 Verdeckfenster |
| 6 Sitzauflage | 17 Neigungseinstellgriff |
| 7 Spielbügel | 18 Aufbewahrungsfach |
| 8 Beinauflage | 19 Aufbewahrungsfach |
| 9 Fußstütze | 20 Faltverschlussriegel |
| 10 Vorderrad | 21 Bremshebel |
| 11 Lenksperre | 22 Hinterrad |



Zubehör

(eventuell nicht enthalten)

- | | |
|-----------------------|---------------|
| 1 Adapter | 2 Sitzauflage |
| 3 Regenverdeck | |
| 4 Aufbewahrungstasche | |
| 5 Trageriemen | |



Zubehör wird möglicherweise separat verkauft oder ist je nach Region nicht verfügbar.

WARNUNG

- ! WARNUNG Lassen Sie Ihr Kind niemals unbeaufsichtigt.
- ! WARNUNG Stellen Sie vor der Benutzung sicher, dass alle Verschlusssteile verriegelt sind.
- ! WARNUNG Um Verletzungen zu vermeiden, stellen Sie sicher, dass sich das Kind nicht in der Nähe befindet, wenn Sie dieses Produkt auf- oder zusammenklappen.
- ! WARNUNG Lassen Sie das Kind nicht mit diesem Produkt spielen.
- ! WARNUNG Geeignet für Kinder bis 22 kg oder 48 Monate.
- ! WARNUNG Immer das Rückhaltesystem verwenden.
- ! WARNUNG Prüfen Sie vor der Benutzung, ob Kinderwagen, Sitzeinheit oder Kindersitz richtig angebracht sind.
- ! Während der Verwendung dieses Produkts dürfen Sie nicht laufen oder skaten.
- ! Verwenden Sie den Kinderwagen für ein Kind, das weniger als 22 kg wiegt. Der Kinderwagen wird beschädigt, wenn ein Kind nicht gut hineinpasst.
- ! Neugeborene sollten liegend transportiert werden; kippen Sie dazu die Rückenlehne in waagrechte Position.
- ! Nutzen Sie die Feststellbremse, wenn Sie das Kind hineinlegen oder herausnehmen.
- ! Um eine gefährliche Instabilität zu vermeiden, beladen Sie den Ablagekorb nicht mit mehr als 4,5 kg.
- ! Der Getränkehalter ist bis 0,5 kg belastbar.
- ! Legen Sie immer nur jeweils ein Kind in den Kinderwagen.
- ! Bringen Sie keine Gegenstände an Schiebebügel, Sitzrückseite oder Seiten des Kinderwagens an. Jegliche Zusatzlast wirkt sich auf die Stabilität des Kinderwagens aus und könnte den Kinderwagen umkippen lassen.
- ! Jegliche am Schiebebügel und/oder an der Rückseite der Rückenlehne und/oder an den Seiten des Kinderwagens angebrachte Last wirkt sich auf die Stabilität des Kinderwagens aus.
- ! Nicht vom Hersteller zugelassenes Zubehör sollte nicht verwendet werden. Verwenden Sie nur vom Hersteller gelieferte oder empfohlene Ersatzteile.

- ! Auch wenn ein Kind in diesem Wagen gesichert durch Gurte liegen kann, ist er kein Ersatz für ein Bett. Falls Ihr Kind müde ist, sollten Sie es in einen geeigneten Kinderwagen, ein Gitter- bzw. Babybett legen.
- ! Entfernen Sie zur Vermeidung von Erstickungsgefahr den Kunststoffbeutel und sämtliche Verpackungsmaterialien vor dem ersten Einsatz. Halten Sie Kunststoffbeutel und Verpackungsmaterialien von Säuglingen und Kindern fern.
- ! Die Babywanne eignet sich nur für Kinder, die nicht selbstständig sitzen, sich drehen und/oder mit Händen und Knien abstützen können. Maximalgewicht des Kindes: 9 kg.
- ! Verwenden Sie NUR die mit der Babywanne gelieferte Matratze; fügen Sie keine weitere Matratze hinzu.
- ! Das Produkt muss von einem Erwachsenen montiert werden.
- ! Lesen Sie alle Hinweise in dieser Anleitung, bevor Sie das Produkt verwenden. Bewahren Sie die Anleitung zum späteren Nachschlagen auf. Nichtbeachtung dieser Warnhinweise und Anweisungen könnte zu schweren oder tödlichen Verletzungen führen.
- ! Verwenden Sie stets den Sicherheitsgurt, um Verletzungen durch Herausfallen oder Herausrutschen zu vermeiden.
- ! Achten Sie bei Einstellungen am Kinderwagen darauf, dass der Körper Ihres Kindes nicht mit den beweglichen Teilen in Kontakt kommt.
- ! Transportieren Sie den Kinderwagen niemals über Treppenstufen oder Rolltreppen.
- ! Halten Sie den Kinderwagen von heißen/Hitze erzeugenden Gegenständen, Flüssigkeiten und Elektrogeräten fern.
- ! Stellen Sie den Kinderwagen niemals auf Straßen, an Hanglagen oder in Gefahrenbereichen ab.
- ! Platzieren Sie KEINE Gegenstände mit einem Band oder Faden um den Hals Ihres Kindes, hängen Sie KEINE Bänder oder Fäden an dieses Produkt und bringen Sie KEINE Bänder oder Fäden an Spielzeugen an, damit sich das Kind nicht strangulieren kann.
- ! Verwenden Sie den Ablagekorb NICHT als Kindersitz.

- ! Seien Sie beim Auf- und Zusammenklappen des Kinderwagens vorsichtig, damit Sie sich die Finger nicht einklemmen.
- ! Zur Gewährleistung der Sicherheit für Ihr Kind achten Sie vor Verwendung des Kinderwagens darauf, dass alle Teile sachgemäß montiert und befestigt sind.
- ! Zur Vermeidung einer Strangulation muss das Verdeck ausreichend weit vom Kind entfernt sein.
- ! Betätigen Sie stets die Feststellbremse, wenn Sie den Kinderwagen abstellen.
- ! Verwenden Sie Ihren Kinderwagen nicht mehr, wenn er beschädigt oder kaputt ist.
- ! Geben Sie zur Vermeidung von Verbrennungen niemals Behälter mit heißen Flüssigkeiten in den Getränkehalter.
- ! Dieses Produkt eignet sich für Kinder bis 22 kg oder 4 Jahre, was auch immer zuerst eintritt.

Kinderwagen montieren

(Bitte beachten Sie die Abbildungen auf Seite 1-16)

Lesen Sie alle Hinweise in dieser Anleitung, bevor Sie dieses Produkt montieren und verwenden.

Kinderwagen aufklappen

siehe Abbildungen ① - ④

Lösen Sie den faltverschlussriegel von der Halterung ① und heben sie dann den Schiebebügel an ②. Ein Klickgeräusch zeigt an, dass der Kinderwagen vollständig aufgeklappt ist. Der Sitz ist umkehrbar. ④

! Prüfen Sie vor der weiteren Benutzung, ob der Kinderwagen vollständig verriegelt ist.

Vorderräder montieren und demontieren

siehe Abbildungen ⑤ - ⑥

Hinterräder montieren und demontieren

siehe Abbildungen ⑦ - ⑧

Verdeck montieren

siehe Abbildungen ⑨ - ⑪

Getränkehalter montieren und demontieren

siehe Abbildungen ⑫ - ⑬

Den vollständig montierten Kinderwagen sehen Sie in ⑭

Kinderwagen bedienen

Rückenlehne anpassen

siehe Abbildung 15

Die Rückenlehne hat 4 Neigungswinkel.

Senken Sie die Rückenlehne ab oder heben Sie sie an, indem Sie den Neigungseinstellgriff an der Rückseite des Sitzes nach oben ziehen und die Rückenlehne nach unten oder oben schieben. 15

! Bitte drücken Sie bei der Anpassung des Neigungswinkels nicht den falt-Freigabeknopf 15 - 3 der sich in der Mitte des Neigungsverstellgriffs befindet.

! Achten Sie darauf, die Neigung zur Verwendung sachgemäß einzustellen.

! Die maximale Tragfähigkeit der des Aufbewahrungsfachs an der Rückenlehne beträgt 0,45 kg.

Gurtverschluss verwenden

siehe Abbildungen 16 - 17

Gurtverschluss lösen

Drücken Sie den Knopf und der Gurtverschluss löst sich automatisch. 16

Gurtverschluss schließen

Richten Sie die Schnallen der Taillengurte an den Schnallen der Schultergurte aus 17 - 1 und richten Sie diese dann am Gurtverschluss aus. der Gurtverschluss verriegelt sich automatisch. 17 - 2 Ein Klickgeräusch zeigt an, dass der Verschluss eingerastet ist. 17 - 3

! Um schwere Verletzungen aufgrund von Herausfallen oder Herausgleiten zu verhindern, legen Sie Ihrem Kind stets die Sicherheitsgurte an.

! Vergewissern Sie sich, dass Ihr Kind rutschfest gehalten wird. Der Abstand zwischen dem Kind und dem Schultergurt sollte etwa die Dicke einer Hand betragen.

! Legen Sie die Schultergurte nicht gekreuzt an. Andernfalls wird Druck auf den Hals des Kindes erzeugt.

Schulter- und Taillengurte anlegen

siehe Abbildungen 18 - 23

! Nachdem Sie Ihr Kind in den Sitz gesetzt haben, prüfen Sie, ob die Schulter- und Taillengurte in der richtigen Höhe verlaufen und lang genug sind, um Ihr Kind vor dem Herausfallen zu schützen.

18 - 1 Schultergurtverankerung

18 - 2 Gurtversteller

Verwenden Sie bei einem größeren Kind die Schultergurtverankerung und die obersten Schulterschlitze. Bei einem kleineren Kind müssen die Schultergurtverankerung und die untersten Schulterschlitze verwendet werden.

Zur Verstellung der Position der Schultergurtverankerung drehen Sie die Verankerung so, dass sie mit der nach vorne weisenden Seite auf einer Ebene liegt. Führen Sie sie von hinten nach vorne durch den Schultergurtschlitz. 21 Führen Sie sie erneut durch den Schlitz, welcher der Schulterhöhe des Kindes am nächsten liegt. 22

Ändern Sie die Gurtlänge mit dem Schieberegler. 23 - 1

Drücken Sie auf den Knopf 23 - 2, während Sie den Taillengurt auf die richtige Länge ziehen. 23 - 3

Spielbügel verwenden

siehe Abbildungen 24 - 26

Beinauflage einstellen

siehe Abbildungen 27 - 28

Es gibt zwei Positionen für die Beinauflage.

Drücken Sie zum Absenken der Beinlaufflage die Einstellknöpfe an beiden Seiten der Beinlaufflage 27 - 1 und senken Sie die Beinauflage nach unten. 27 - 2

Drücken Sie die Beinauflage zum Anheben nach oben. Ein Klickgeräusch zeigt an, dass die Beinauflage eingerastet ist.

Vorderräder feststellen

siehe Abbildungen 29

Drehen Sie die Lenksperre zum Feststellen der Vorderräder nach links und drehen Sie die Lenksperre zum Freigeben nach rechts 29

Tipp Die Verwendung der Lenksperre empfiehlt sich auf unebenem Untergrund.

Feststellbremse verwenden

siehe Abbildungen 30 - 31

Zur Arretierung der Räder drücken Sie den Bremshebel mit dem Fuß nach unten. 30

Lösen Sie die Sperrung durch Ziehen des Bremshebels nach oben. 31

Tipp Verwenden Sie die Feststellbremse immer, wenn der Kinderwagen nicht geschoben wird.

Verdeck verwenden

siehe Abbildungen 32 - 34

Das Verdeck kann für maximalen Schutz Ihres Kindes vor der Sonne vollständig geöffnet werden. Öffnen Sie einfach den Reißverschluss 33, ziehen Sie dann das Verdeck nach vorne.

Schiebebügel einstellen

siehe Abbildungen 35

Sitz ausrichten

siehe Abbildungen 36 - 39

Aufbewahrungsfach verwenden

siehe Abbildungen 40

Die maximale Tragfähigkeit jedes Aufbewahrungsfachs auf beiden Seiten des Korbs beträgt 0,45 kg.

Kinderwagen zusammenklappen

siehe Abbildungen 41 - 49

! Der Knopf in der Mitte des Neigungsverstellgriffs dient dem Zusammenklappen des Sitzes. 42 - 1

! Der zusammengeklappte Kinderwagen kann stehen, wenn sich der Schiebebügel in der untersten Position befindet. 46

! Der faltverschlussriegel hakt sich automatisch an der Halterung ein, wenn der Kinderwagen zusammengeklappt und vollständig verriegelt ist. 46 49

Zubehör verwenden

Zubehör wird möglicherweise separat verkauft oder ist je nach Region nicht verfügbar.

Mit Babyschale verwenden

siehe Abbildungen 50 - 55

Beachten Sie bei Verwendung mit der den Joie-Babyschalen iGemm 2, i-Level und i-Snug die folgenden Anweisungen.

! Ein Klickgeräusch zeigt an, dass der Adapter vollständig eingerastet ist.

! Falls Probleme bei der Verwendung der Babyschale auftreten, beachten Sie bitte die zugehörige Bedienungsanleitung.

! Bitte klappen Sie den Kinderwagen nicht zusammen, wenn die Babyschale angebracht ist.

Babywanne verwenden

siehe Abbildungen 56 - 59

Bitte beachten Sie bei Verwendung der Joie-Babywanne ramble xl die folgenden Anweisungen.

- ! Ein Klickgeräusch zeigt an, dass der Adapter vollständig eingerastet ist.
- ! Verwenden Sie die Babywanne niemals ohne Matratze.
- ! Falls Probleme bei der Verwendung der Babywanne auftreten, beachten Sie bitte die zugehörige Bedienungsanleitung.
- ! Bitte klappen Sie den Kinderwagen nicht zusammen, solange die Babywanne angebracht ist.

Regenverdeck verwenden

siehe Abbildungen 60

Bringen Sie das Regenverdeck an, indem Sie es über dem Sitz platzieren.

- ! Achten Sie bei Verwendung des Regenverdeckes stets auf Belüftung.
- ! Wird das Regenverdeck nicht mehr verwendet, achten Sie vor dem Zusammenfallen bitte darauf, dass es sauber und trocken ist.
- ! Klappen Sie den Kinderwagen nicht zusammen, nachdem das Regenverdeck angebracht wurde.
- ! Setzen Sie Ihr Kind bei heißem Wetter nicht in den Kinderwagen, wenn das Regenverdeck angebracht ist.

Aufbewahrungstasche verwenden

siehe Abbildungen 61 - 66

Die Aufbewahrungstasche darf nicht schwerer als 1 kg sein.

Die Aufbewahrungstasche kann zum separaten Gebrauch vom Korb getrennt werden. 66

Sitzaufgabe verwenden

siehe Abbildungen 67 - 68

Textilteile anbringen und entfernen

siehe Abbildungen 69 - 84

Entfernen Sie den Spielbügel, siehe 26

Bringen Sie die Textilteile des Sitzes wieder an, indem Sie die obigen Schritte in umgekehrter Reihenfolge befolgen 84 - 69

Reinigung und Wartung

siehe Abbildungen 85

- ! Reinigen Sie das Kinderwagengestell nur mit handelsüblicher Seife und warmem Wasser. Nicht bleichen oder mit Reinigungsmitteln behandeln. Bitte beachten Sie zur Reinigung der Textilteile des Kinderwagens die Anweisungen am Pflegeetikett.
- ! Abnehmbare Textilteile können in der Maschine gewaschen werden. Nicht bleichen. Bitte wringen Sie Sitzbezug und Innenpolster nicht kräftig aus. Andernfalls könnten im Sitzbezug und am Innenpolster Falten zurückbleiben.
- ! Untersuchen Sie Ihren Kinderwagen gelegentlich auf lockere Schrauben, abgenutzte Teile, verschlissene Materialien oder aufgerissene Nähte. Ersetzen oder reparieren Sie die Teile bei Bedarf. Wischen Sie die Kunststoffteile regelmäßig mit einem weichen, angefeuchteten Tuch ab. Trocknen Sie die Metallteile bei Kontakt mit Wasser immer ab, damit sich kein Rost bildet.
- ! Bei übermäßiger Sonnenbestrahlung oder Hitzeeinwirkung können Teile verblassen oder sich verformen.
- ! Ist der Kinderwagen nass geworden, öffnen Sie das Verdeck und lassen Sie ihn komplett trocken werden, bevor Sie ihn verstauen.
- ! Bei quietschenden Rädern tragen Sie ein leichtes Öl auf (z. B. Silikonspray, Rostschutzöl oder Nähmaschinenöl). Dabei ist wichtig, dass das Öl in die Achse und die Räderpartie gelangt. 85

! Wenn Sie mit Ihrem Kinderwagen am Strand oder an sandigen/staubigen Orten spazieren, müssen Sie ihn hiernach komplett reinigen, um Sand und Salz aus der Mechanik und den Radverbindungen zu entfernen.

ES Bienvenido a Joie™

¡Enhorabuena por unirse a la familia Joie! Estamos encantados de formar parte de su viaje y del de su pequeño. Cuando utilice el cochecito Joie Finiti™ de Joie, su bebé disfrutará de un cochecito de alta calidad, totalmente certificado y aprobado por las normas de seguridad europeas EN 1888-2:2018. Este producto es adecuado para niños de hasta 22 kg o 4 años, lo que ocurra primero. Lea detenidamente este manual y siga cada paso para garantizar que su bebé viaje cómodamente y esté protegido de la mejor manera posible.

IMPORTANTE - LEER DETENIDAMENTE Y CONSERVAR PARA FUTURAS CONSULTAS.

¡Visítenos en joiebaby.com para descargar manuales y conocer otros fantásticos productos de Joie!

Para obtener información sobre la garantía, visite nuestro sitio web en joiebaby.com.

Contenido

| | |
|--|-----------|
| Figuras | 1-16 |
| ADVERTENCIA | 67 |
| Montaje del cochecito | 70 |
| Abrir el cochecito | 70 |
| Montaje y desmontaje de la rueda delantera | 70 |
| Montaje y desmontaje de la rueda trasera | 70 |
| Montaje de la capota | 70 |
| Montaje y desmontaje del portavasos | 70 |

| | |
|---|-----------|
| Funcionamiento del cochecito | 71 |
| Ajuste del respaldo | 71 |
| Uso de la hebilla | 71 |
| Uso de los arneses de los hombros y la cintura | 72 |
| Uso del reposabrazos | 72 |
| Ajuste del soporte para los gemelos | 72 |
| Uso del bloqueo de las ruedas giratorias delanteras | 73 |
| Uso del freno | 73 |
| Uso de la capota | 73 |
| Ajuste del manillar | 73 |
| Cambio del asiento | 73 |
| Uso de la cesta de almacenaje | 73 |
| Plegado del cochecito | 74 |
| Uso de los accesorios | 74 |
| Desmontaje y montaje de la vestidura | 76 |
| Limpieza y mantenimiento | 76 |

Emergencia

En caso de emergencia o accidente, es muy importante que su bebé reciba primeros auxilios y tratamiento médico de inmediato.

Información del producto

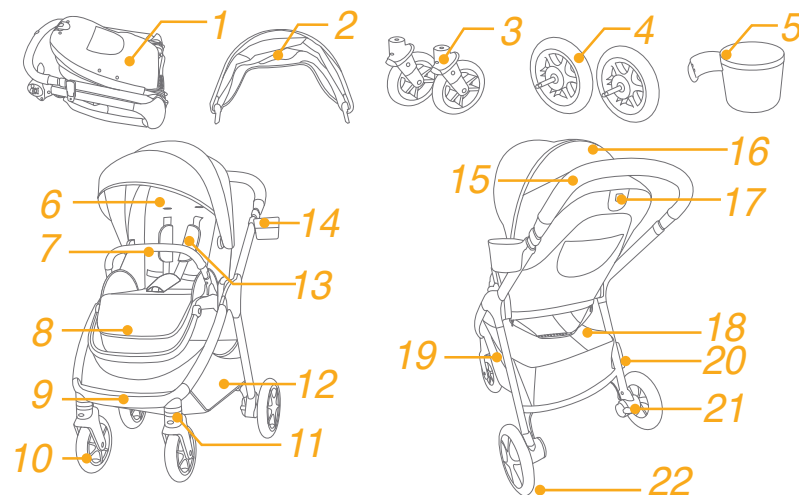
Lea todas las instrucciones incluidas en este manual antes de utilizar este producto. Si tiene alguna duda, póngase en contacto con su proveedor. Algunas características pueden variar según el modelo.

| | |
|-----------------------------|--|
| Producto | Cochecito Finiti |
| Adecuado para | Este producto es adecuado para niños de hasta 22 kg o 4 años, lo que ocurra primero. |
| Materiales | Plásticos, metal, telas |
| N.º de patente | Pendiente de patentes |
| Lugar de fabricación | China |
| Nombre de la marca | Joie |
| Sitio web | www.joiebaby.com |
| Fabricante | Allison GmbH |

Lista de piezas

Asegúrese de que están disponibles todas las piezas antes de montar el producto. Si falta alguna pieza, póngase en contacto con su proveedor local. No se necesita ninguna herramienta para el montaje.

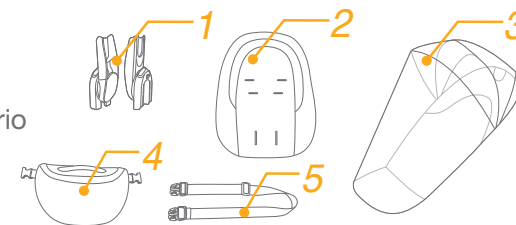
- | | |
|-------------------------------------|-----------------------------|
| 1 Estructura del cochecito | 12 Cesta portaobjetos |
| 2 Capota | 13 Arnés de los hombros |
| 3 Rueda delantera | 14 Portavasos |
| 4 Rueda trasera | 15 Manillar |
| 5 Portavasos | 16 Ventana de la capota |
| 6 Acolchado del asiento | 17 Asa de reclinación |
| 7 Reposabrazos | 18 Bolsa de almacenamiento |
| 8 Soporte para las pantorrillas | 19 Bolsa de almacenamiento |
| 9 Reposapiés | 20 Cierre de almacenamiento |
| 10 Rueda delantera | 21 Palanca del freno |
| 11 Bloqueo de las ruedas giratorias | 22 Rueda trasera |



Accesorios

(es posible que no estén incluidos)

- | | |
|----------------------------|-------------|
| 1 Adaptador | 2 Accesorio |
| 3 Cubierta impermeable | |
| 4 Bolsillo para accesorios | |
| 5 Funda de transporte | |



Es posible que los accesorios se vendan por separado o no estén disponibles, dependiendo de la región.

ADVERTENCIA

- ! ADVERTENCIA Nunca deje al niño desatendido.
- ! ADVERTENCIA Asegúrese de que todos los dispositivos de bloqueo están fijados correctamente antes de utilizar el producto.
- ! ADVERTENCIA Para evitar lesiones, asegúrese de que su hijo está alejado del producto cuando lo pliegue y lo despliegue.
- ! ADVERTENCIA No deje que su hijo juegue con este producto.
- ! ADVERTENCIA Es adecuado para niños de hasta 22 kg o hasta 48 meses.
- ! ADVERTENCIA Utilice siempre el sistema de sujeción.
- ! ADVERTENCIA Asegúrese de que los dispositivos colocados en el capazo, en la unidad del asiento o en asiento del vehículo están bien sujetos antes de utilizar el producto.
- ! Este producto no es adecuado para correr ni patinar.
- ! Este cochecito está diseñado para niños con un peso inferior a 22kg. Con niños de más peso el cochecito puede romperse.
- ! En el caso de los recién nacidos, le recomendamos que el asiento diseñado para utilizarse desde el nacimiento lo coloque en la posición lo más reclinada posible.
- ! El dispositivo de estacionamiento deberá estar accionado cuando coloque y retire al niño.
- ! Para evitar riesgos y la inestabilidad del producto, no deberá colocar objetos que sumen en total un peso superior a 4,5 kg en la cesta de almacenamiento.
- ! El peso máximo recomendado para el sujetavaso es de 0,5 kg.
- ! No utilice el cochecito para transportar a más de un niño a la vez.
- ! No coloque objetos en el manillar, el respaldo o los lados del cochecito. Cualquier carga adicional afectará la estabilidad del cochecito y podría provocar que este se vuelque.
- ! Si cuelga algún objeto del manillar, de la parte trasera del

respaldo o de los laterales del cochecito, la estabilidad de este se verá afectada.

- ! No utilice accesorios que no estén aprobados por el fabricante. Utilice únicamente las piezas de recambio proporcionadas o recomendadas por el fabricante.
- ! En los dispositivos de sujeción para niños que se utilicen con un chasis, este vehículo no sustituye a una cuna ni una cama. Si su hijo necesita dormir, deberá colocarlo sobre una cuna, una cama o un capazo adecuado.
- ! Para evitar el riesgo de asfixia, retire la bolsa de plástico y los materiales de embalaje antes de utilizar este producto. A continuación, deberá mantener la bolsa de plástico y los materiales de embalaje fuera del alcance de bebés y niños.
- ! El capazo es adecuado únicamente para niños que no puedan sentarse sin ayuda, darse la vuelta ni levantarse sobre sus manos y rodillas. Peso máximo del niño: 9 kg.
- ! NO la utilice con ningún colchón (ni añada ningún otro) que no sea el que se incluye con la cuna portátil.
- ! El montaje solo podrá ser realizado por personas adultas.
- ! Lea todas las instrucciones incluidas en el manual antes de utilizar el producto. Guarde este manual de instrucciones para futuras consultas. Si no sigue estas advertencias e instrucciones, podrían producirse graves lesiones o, incluso, la muerte.
- ! Para evitar lesiones graves como consecuencia de caídas o resbalones, mantenga al niño sujeto con el cinturón de asiento en todo momento.
- ! Asegúrese de mantener a los niños alejados de las partes móviles cuando realice ajustes en el cochecito.
- ! Nunca utilice el cochecito en escaleras convencionales o mecánicas.
- ! Manténgalo alejado de objetos a altas temperaturas, líquidos y aparatos electrónicos.
- ! Nunca coloque el cochecito en carreteras, cuestas o zonas peligrosas.
- ! Para evitar el riesgo de estrangulamiento, NO coloque objetos con cordones alrededor del cuello del niño, no deje que cuelguen cordones de este producto ni ate los cordones a ningún juguete.

- ! NO utilice la cesta de almacenamiento como portabebés.
- ! Tenga cuidado de no pillarse los dedos cuando pliegue y despliegue el cochecito.
- ! Para garantizar la seguridad del niño, asegúrese de que todas las piezas están montadas y bien sujetas antes de utilizar el cochecito.
- ! Para evitar el riesgo de estrangulamiento, asegúrese de que su hijo se mantiene alejado de la capota.
- ! Accione siempre los frenos cuando aparque el cochecito.
- ! Deje de utilizar el cochecito si presenta daños o roturas.
- ! Para evitar quemaduras, nunca coloque líquidos calientes en el sujetavasos.
- ! Este producto es adecuado para niños de hasta 22 kg o 4 años, lo que ocurra primero.

Montaje del cochecito

(Consulte las figuras de la página 1-16)

Lea todas las instrucciones incluidas en este manual antes de montar y utilizar este producto.

Abrir el cochecito

consulte las imágenes ① - ④

Separe el cierre de almacenamiento del soporte de almacenamiento ① y, a continuación, levante el manillar hacia arriba ②. El sonido de un clic le indicará que el cochecito está completamente abierto.

El asiento es reversible. ④

! Asegúrese de que el cochecito está completamente bloqueado antes de continuar utilizándolo.

Montaje y desmontaje de la rueda delantera

consulte las imágenes ⑤ - ⑥

Montaje y desmontaje de la rueda trasera

consulte las imágenes ⑦ - ⑧

Montaje de la capota

consulte las imágenes ⑨ - ⑪

Montaje y desmontaje del portavasos

consulte las imágenes ⑫ - ⑬

El cochecito completamente montado aparece en la imagen ⑭

Funcionamiento del cochecito

Ajuste del respaldo

Consulte la imagen 15

El respaldo puede colocarse en 4 ángulos de inclinación.

Para elevar o reclinar el respaldo, gire el manillar para reclinar situado en la parte posterior del asiento y empuje el respaldo hacia abajo. 15

- ! No presione el botón de liberación 15 - 3 situado en el centro de la palanca de inclinación cuando ajuste el ángulo para la inclinación.
- ! Asegúrese de que ajusta la inclinación de forma adecuada para su uso.
- ! La carga máxima del bolsillo para accesorios A y B es de 0,45 kg.

Uso de la hebilla

consulte las imágenes 16 - 17

Desbloquear la hebilla

Presione el botón; la hebilla se soltará automáticamente. 16

Bloquear la hebilla

Haga coincidir la hebilla del cinturón con la hebilla del hombro 17 - 1 y alinéelos con la hebilla central. La hebilla puede bloquearse automáticamente. 17 - 2 El sonido de un "clic" le indicará que la hebilla está completamente bloqueada. 17 - 3

- ! Con el fin de evitar lesiones graves como consecuencia de caídas o resbalones, mantenga al niño sujeto con el arnés en todo momento.
- ! Asegúrese de que su hijo quede cómodamente sujeto. Cerciórese de que el espacio entre el niño y el arnés de los hombros sea el del grosor de una mano más o menos.
- ! No cruce los cinturones de los hombros. Si lo hace, podría presionar el cuello del niño.

Uso de los arneses de los hombros y la cintura consulte las imágenes 18 - 23

! Con el fin de proteger al niño contra caídas, después de colocarlo en el asiento, compruebe si la altura y el largo de los arneses de los hombros y la cintura son los adecuados.

- 18 - 1 Anclaje del arnés de los hombros
- 18 - 2 Ajuste deslizante

Para los niños más altos, utilice el anclaje del arnés de los hombros y las ranuras de los hombros más altas. Para los niños más pequeños, utilice el anclaje del arnés de los hombros y las ranuras de los hombros más bajas.

Para ajustar la posición del gancho del arnés de los hombros, gire el gancho para alinearlos con la parte que está orientada hacia adelante. Enhébrelo por la ranura del arnés de los hombros de atrás hacia adelante. 21 Vuelva a enhebrarlo por la ranura que esté más cerca de la altura de los hombros del niño. 22

Utilice el ajuste deslizante para cambiar la longitud del arnés. 23 - 1

Presione el botón 23 - 2 y tire al mismo tiempo del arnés de la cintura hasta que la longitud sea la adecuada. 23 - 3

Uso del reposabrazos

consulte las imágenes 24 - 26

Ajuste del soporte para las piernas

consulte las imágenes 27 - 28

Se puede colocar el soporte para las piernas en 2 posiciones distintas.

Para bajar el soporte para las piernas, presione los botones de ajuste ubicados a ambos lados de dicho soporte 27 - 1 y gire este hacia abajo. 27 - 2

Para elevar el soporte para las piernas, tire de él hacia arriba. Cuando oiga un "clic" significará que el soporte para las piernas está bloqueado completamente.

Uso del bloqueo de las ruedas giratorias delanteras

consulte las imágenes 29

Gire el bloqueo giratorio hacia la izquierda para orientarlo,
Gire el bloqueo giratorio hacia la derecha para liberarlo. 29

Consejo Se recomienda utilizar los bloqueos de las ruedas giratorias sobre superficies irregulares.

Uso del freno

consulte las imágenes 30 - 31

Para bloquear las ruedas, pise sobre la palanca del freno empujándola hacia abajo. 30

Para desbloquear las ruedas, simplemente levante la palanca del freno hacia arriba. 31

Consejo Accione siempre el freno de estacionamiento cuando el cochecito no se esté moviendo.

Uso de la capota

consulte las imágenes 32 - 34

La capota se puede abrir completamente para proteger al niño del sol lo máximo posible. Basta con abrir la cremallera 33 y tirar de la capota hacia delante.

Ajuste del manillar

consulte las imágenes 35

Cambio del asiento

consulte las imágenes 36 - 39

Uso de la bolsa de almacenamiento

consulte las imágenes 40

La carga máxima de cada bolsa de almacenamiento es de 0,45 kg.

Plegado del cochecito

consulte las imágenes 41 - 49

! El botón situado en el medio del asa de inclinación se usa para doblar el asiento. 42 - 1

! El cochecito plegado se puede sostener cuando el manillar está en la posición más baja. 46

! El cierre de almacenamiento se trabará automáticamente en el soporte de almacenamiento y el cochecito quedará completamente plegado y bloqueado. 46 49

Uso de los accesorios

Es posible que los accesorios se vendan por separado o no estén disponibles, dependiendo de la región.

Uso con el dispositivo de sujeción para niños

consulte las imágenes 50 - 55

Cuando lo utilice con el dispositivo de sujeción para niños Joie, iGemm 2 & iLevel & iSnug, consulte las siguientes instrucciones:

! El sonido de un “clic” le indicará que el adaptador está completamente bloqueado.

! Si experimenta algún problema al utilizar el dispositivo de sujeción para niños, consulte sus propios manuales de instrucciones.

! No pliegue el cochecito con el dispositivo de sujeción para niños instalado.

Uso del capazo

vea las imágenes 56 - 59

Cuando se utiliza con la cuna de viaje Joie Ramble xl, consulte las siguientes instrucciones.

- ! El sonido de un “clic” le indicará que el adaptador está completamente bloqueado.
- ! Utilice siempre el colchón cuando utilice el capazo.
- ! Si experimenta algún problema al utilizar el capazo, consulte sus propios manuales de instrucciones.
- ! No pliegue el cochecito con el capazo montado.

Uso de la capota impermeable consulte las imágenes 60

Para montar la cubierta impermeable, colóquela sobre el asiento.

- ! Cuando utilice la cubierta impermeable, deberá asegurarse siempre de que tenga una ventilación adecuada.
- ! Cuando no vaya a utilizar la cubierta impermeable, asegúrese de que esté limpia y seca antes de plegarla.
- ! No pliegue el cochecito después de montar la cubierta impermeable.
- ! No coloque al niño en el cochecito con la cubierta impermeable montada si la temperatura es cálida.

Uso del bolsillo para accesorios consulte las imágenes 61 - 66

El peso máximo total del bolsillo para accesorios no debe ser superior a 1 kg.

El bolsillo para accesorios se puede retirar de la cesta para usarse por separado. 66

Uso del accesorio consulte las imágenes 67 - 68

Desmontaje y montaje de la vestidura

consulte las imágenes 69 - 84

Quite el reposabrazos como se muestra en la ilustración 26

Para volver a instalar el acolchado del asiento, siga los pasos anteriores en orden inverso 84 - 69

Limpieza y mantenimiento

consulte las imágenes 85

- ! Para limpiar el manillar del cochecito, utilice únicamente jabón para uso doméstico y agua tibia. No utilice lejía ni detergente. Consulte la etiqueta de cuidados para ver las instrucciones acerca de la limpieza de las partes de tela del cochecito.
- ! la vestidura desmontable se puede lavar a máquina. No utilice lejía. No retuerza con demasiada fuerza la cubierta del asiento ni el acolchado interno cuando los seque. Podrían quedar arrugas en la cubierta del asiento y en el acolchado interno.
- ! Examine periódicamente su cochecito por si tuviera tornillos sueltos, piezas desgastadas, materiales dañados o descosidos. Sustituya o repare las piezas que lo requieran. Limpie periódicamente las partes de plástico con un paño suave y húmedo. Seque siempre las partes metálicas para evitar que se oxiden si el cochecito ha estado en contacto con el agua.
- ! Una exposición excesiva al sol o al calor podría decolorar o deformar las piezas.
- ! Si se moja el cochecito, abra la capota y deje que se seque completamente antes de guardarlo.

- ! Si chirrían las ruedas, utilice un aceite suave (por ejemplo: spray de silicona, aceite antioxidante o aceite para máquinas de coser). Es importante que el aceite llegue al ensamblaje de las ruedas y el eje. 85
- ! Cuando utilice su cochecito en la playa o en otros entornos con arena/polvo, límpielo completamente después de usarlo para eliminar cualquier resto de arena y sal que haya podido quedar en los ensamblajes de las ruedas y los mecanismos.

PT Bem-vindo à Joie™

Parabéns por se tornar membro da família Joie! Estamos muito satisfeitos por participar na sua aventura com o seu bebé. Ao viajar com o Joie Finiti™, está a utilizar um carrinho de bebé de alta qualidade, totalmente certificado, aprovado pelas normas europeias de segurança EN 1888-2:2018. Este produto é indicado para crianças com menos de 22 kg ou 4 anos, o que ocorrer primeiro. Leia atentamente este manual e execute todos os passos para garantir uma utilização confortável e a melhor proteção para a criança.

IMPORTANTE - LEIA ATENTAMENTE E GUARDE PARA FUTURA REFERÊNCIA.

Visite-nos em joiebaby.com para transferir os manuais e conhecer outros produtos interessantes da Joie!

Para informações sobre a garantia, visite o nosso Web site em joiebaby.com

Índice

| | |
|--|-----------|
| Figuras | 1-16 |
| AVISO | 83 |
| Montagem do carrinho de bebé | 86 |
| Abrir o carrinho de bebé | 86 |
| Montagem e remoção da roda dianteira | 86 |
| Montagem e remoção da roda traseira | 86 |
| Montagem da cobertura | 86 |
| Montagem e remoção do suporte para copos | 86 |

| | |
|---|-----------|
| Utilização do carrinho de bebé | 87 |
| Ajuste do apoio das costas | 87 |
| Utilizar a fivela | 87 |
| Utilizar a alça e cinto subabdominal | 88 |
| Utilizar a barra de proteção | 88 |
| Ajustar o apoio da perna | 88 |
| Utilizar o bloqueio giratório dianteiro | 89 |
| Utilizar o travão | 89 |
| Utilizar a cobertura | 89 |
| Ajustar a pega | 89 |
| Trocar a cadeira | 89 |
| Utilizar o saco de armazenamento | 89 |
| Dobrar o carrinho de bebé | 90 |
| Utilizar acessórios | 90 |
| Retirar e montar a capa de tecido acolchoado | 92 |
| Limpeza e manutenção | 92 |

Emergência

Em caso de emergência ou acidente, é importante prestar imediatamente os primeiros socorros e tratamento médico ao seu filho.

Informações sobre o produto

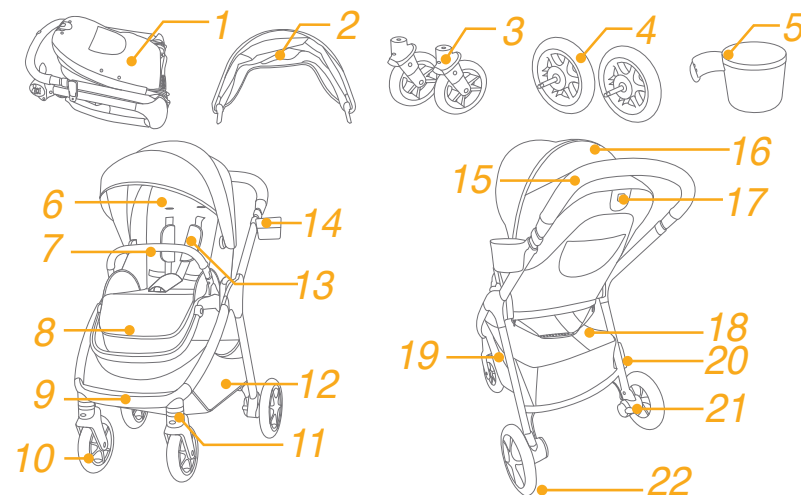
Leia atentamente todas as instruções deste manual antes de utilizar este produto. Se tiver questões, consulte o revendedor. Algumas características podem variar dependendo do modelo.

| | |
|-----------------------|---|
| Produto | Carrinho de bebé Finiti |
| Adequado para | Este produto é indicado para crianças com menos de 22 kg ou 4 anos, o que ocorrer primeiro. |
| Materiais | Plástico, metal, tecido |
| N.º de patente | Patentes pendentes |
| Fabricado na | China |
| Nome da marca | Joie |
| Site | www.joiebaby.com |
| Fabricante | Allison GmbH |

Lista de componentes

Certifique-se de que todas as peças estão disponíveis antes da montagem. Se alguma peça estiver em falta, contacte o revendedor local. Não são necessárias ferramentas para a montagem.

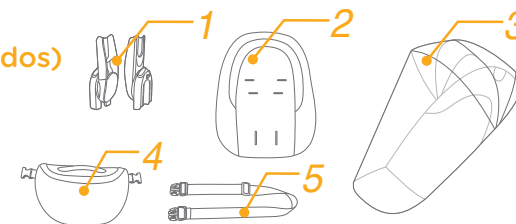
- | | | | |
|----|-------------------------------|----|-------------------------|
| 1 | Estrutura do carrinho de bebé | 12 | Cesto de armazenamento |
| 2 | Cobertura | 13 | Alças |
| 3 | Roda dianteira | 14 | Suporte para copos |
| 4 | Roda traseira | 15 | Pega |
| 5 | Suporte para copos | 16 | Janela da cobertura |
| 6 | Capa de tecido acolchoado | 17 | Pega de reclinção |
| 7 | Barra de proteção frontal | 18 | Saco de armazenamento |
| 8 | Apoio da perna | 19 | Saco de armazenamento |
| 9 | Apoio para os pés | 20 | Trinco de armazenamento |
| 10 | Roda dianteira | 21 | Alavanca do travão |
| 11 | Bloqueio giratório | 22 | Roda traseira |



Acessórios

(podem não estar incluídos)

- | | | | |
|---|------------------------|---|---------|
| 1 | Adaptador | 2 | Redutor |
| 3 | Capa impermeável | | |
| 4 | Bolso de armazenamento | | |
| 5 | Correia de transporte | | |



Os acessórios podem ser vendidos separadamente e podem não estar disponíveis, dependendo da região.

AVISO

- ! AVISO Nunca deixe a criança sem supervisão.
- ! AVISO Certifique-se de que os dispositivos de bloqueio estão acionados antes de utilizar a alcofa.
- ! AVISO Para evitar lesões, assegure-se de que mantém a criança afastada ao dobrar e desdobrar este produto.
- ! AVISO Não deixe a criança brincar com este produto.
- ! AVISO Adequado para crianças com peso máximo de 22 kg ou até 48 meses.
- ! AVISO Utilize sempre o sistema de retenção.
- ! AVISO Verifique se o corpo do carrinho de bebé, a unidade de assento ou os dispositivos de encaixe da cadeira auto estão devidamente encaixados antes de utilizar o produto.
- ! Este produto não é adequado para correr ou patinar.
- ! O carrinho de bebé deve ser utilizado por crianças com menos de 22kg. Se a criança for mais pesada, o carrinho de bebé pode danificar-se.
- ! No caso de recém-nascidos, recomenda-se que utilize a cadeira na posição mais reclinada possível.
- ! O dispositivo de travagem deve ser acionado ao colocar e remover a criança.
- ! Para evitar condições perigosas e instáveis, não coloque mais de 4,5 kg no cesto de armazenamento.
- ! O peso máximo recomendado no suporte para copos é de 0,5 kg.
- ! Utilize o carrinho de bebé com apenas uma criança de cada vez.
- ! Não coloque itens na pega, encosto ou nas laterais do carrinho. Qualquer carga adicional afetará a estabilidade do carrinho e poderá fazer com que o carrinho tombe.
- ! Qualquer carga colocada sobre a pega e/ou na traseira do apoio das costas e/ou nas laterais do veículo podem afetar a estabilidade do mesmo.
- ! Não utilize acessórios que não sejam aprovados pelo fabricante. Utilize apenas peças fornecidas e recomendadas pelo fabricante.

- ! Para os dispositivos de retenção utilizados em conjunto com a estrutura do carrinho de bebé, o carrinho não substitui um berço ou cama. Se a criança precisar de dormir, coloque-a na alcofa, berço ou cama apropriados.
- ! Para evitar risco de asfixia, retire o saco de plástico e os materiais de embalagem antes de utilizar este produto. O saco de plástico e os materiais de embalagem devem ser afastados de bebés e crianças.
- ! A alcofa é indicada apenas para crianças que não são capazes de se sentar sozinhas, rolar e que não conseguem levantar-se apoiando-se nas mãos e nos joelhos. Peso máximo da criança: 9 kg.
- ! NÃO utilize ou adicione outro colchão além do fornecido com a alcofa.
- ! A montagem deverá ser efetuada por adultos.
- ! Leia todas as instruções neste manual antes de utilizar o produto. Guarde este manual de instruções para utilização futura. O incumprimento dos avisos e instruções pode resultar em lesões graves ou morte.
- ! Para evitar lesões graves devido a quedas ou deslizamentos, utilize sempre o cinto de segurança.
- ! Certifique-se de que o corpo da criança não está em contacto com as partes móveis ao ajustar o carrinho de bebé.
- ! Nunca utilize o carrinho de bebé em escadas rolantes ou convencionais.
- ! Mantenha o produto afastado de objetos a altas temperaturas, líquidos e dispositivos eletrónicos.
- ! Nunca coloque o carrinho de bebé em estradas, declives ou áreas perigosas.
- ! Para evitar o estrangulamento, NÃO coloque artigos com fios à volta do pescoço da criança, pendure fios neste produto, ou ate fios a brinquedos.
- ! NÃO utilize o cesto de armazenamento como transportador.
- ! Para evitar apertar os dedos, tenha cuidado ao dobrar e desdobrar o carrinho de bebé.
- ! Para assegurar a segurança da criança, certifique-se de que todas as peças estão montadas e firmemente apertadas antes de utilizar o carrinho de bebé.

- ! Para evitar o risco de estrangulamento, certifique-se de que a criança está afastada da cobertura.
- ! Acione sempre os travões quando parar o carrinho de bebé.
- ! Interrompa a utilização do carrinho de bebé caso este esteja danificado ou quebrado.
- ! Para evitar queimaduras, nunca coloque líquidos quentes no suporte para copos.
- ! Este produto é indicado para crianças com menos de 22 kg ou 4 anos, o que ocorrer primeiro.

Montagem do carrinho de bebé

(consulte as figuras na página 1-16)

Leia atentamente todas as instruções neste manual antes de instalar e utilizar este produto.

Abrir o carrinho de bebé

ver imagens ① - ④

Separe o trinco de armazenamento do suporte de armazenamento ①, e depois levante a pega ②, o som de um “clique” significa que o carrinho está completamente aberto. O assento é reversível. ④

! Verifique se o carrinho está completamente travado antes de continuar a utilizar.

Montagem e remoção da roda dianteira

ver imagens ⑤ - ⑥

Montagem e remoção da roda traseira

ver imagens ⑦ - ⑧

Montagem da cobertura

ver imagens ⑨ - ⑪

Montagem e remoção do suporte para copos

ver imagens ⑫ - ⑬

A ilustração apresenta o carrinho totalmente montado. ⑭

Utilização do carrinho de bebé

Ajuste do apoio das costas

ver imagem 15

O apoio das costas apresenta 4 ângulos de reclinção.

Para elevar ou reclinar o encosto, rode o punho reclinável na parte traseira do assento e puxe o encosto para baixo. 15

! Não pressione o botão de libertação 15 - 3 no meio da pega de reclinção ao ajustar o ângulo de reclinção.

! Certifique-se de que a reclinção está corretamente definida.

! A carga máxima do bolso de armazenamento na parte traseira é de 0,45 kg.

Utilizar a fivela

ver imagens 16 - 17

Soltar a fivela

Pressione o botão e a fivela irá abrir automaticamente. 16

Bloquear a fivela

Combine a fivela do cinto com a fivela de ombro 17 - 1 e alinhe-as com a fivela central. A fivela irá bloquear automaticamente. 17 - 2 O som de um "clique" significa que a fivela está corretamente encaixada. 17 - 3

! Para evitar lesões graves como consequência de quedas ou deslizamentos, prenda sempre a criança com as alças.

! Certifique-se de que a criança está segura e confortável. O espaço entre a criança e as alças tem a espessura aproximada de uma mão.

! Não cruze as correias dos ombros. Ao fazê-lo, estará a pressionar o pescoço da criança.

Utilizar a alça e cinto subabdominal

ver imagens 18 - 23

! Para proteger o seu filho de cair, depois de colocar o seu filho no assento, verifique se a alça e o cinto subabdominal estão na altura e comprimento adequados.

18 - 1 Fixação da alça

18 - 2 Regulador deslizante

Para crianças maiores, utilize a alça e as ranhuras para ombro mais altas. Para crianças mais pequenas, utilize a alça e as ranhuras para ombro mais baixas.

Para ajustar a posição da alça, rode a âncora para nivelar com o lado virado para a frente. Enfie-o pela ranhura para alça de trás para a frente. 21 Reposicione-o pela ranhura mais próxima da altura do ombro da criança. 22

Utilize o regulador deslizante para alterar o comprimento do arnês. 23 - 1

Pressione o botão 23 - 2, enquanto puxa o cinto subabdominal para o comprimento adequado. 23 - 3

Utilizar a barra de proteção

ver imagens 24 - 26

Ajustar o apoio da perna

ver imagens 27 - 28

O apoio da perna tem 2 posições.

Para baixar o apoio da perna, pressione os botões de ajuste em ambos os lados do apoio da perna 27 - 1 e rode o apoio da perna para baixo. 27 - 2

Para elevar o apoio da perna, empurre-o para cima. O som de um "clique" significa que a fivela está corretamente encaixada.

Utilizar o bloqueio giratório dianteiro

ver imagens 29

Rode o bloqueio giratório para a esquerda para orientar, Rode o bloqueio giratório para a direita para libertar 29

Ponta Recomenda-se a utilização do bloqueio giratório em superfícies irregulares.

Utilizar o travão

ver imagens 30 - 31

Para bloquear as rodas, pise a alavanca do travão para baixo. 30

Para soltar as rodas, basta elevar a alavanca do travão para cima. 31

Ponta Acione sempre o travão de estacionamento quando o carrinho não está a mover.

Utilizar a cobertura

ver imagens 32 - 34

A cobertura pode ser aberta completamente para proteger a sua criança do sol, basta abrir o fecho 33 e depois puxar a cobertura para a frente.

Ajustar a pega

ver imagens 35

Mudar orientação do assento

ver imagens 36 - 39

Utilizar o saco de armazenamento

ver imagens 40

A carga máxima de cada bolso de armazenamento em ambos os lados do cesto é de 0,45 kg.

Dobrar o carrinho de bebé

ver imagens 41 - 49

! O botão no meio da alça de reclinção é utilizado para dobrar o assento. 42 - 1

! O carrinho de bebé dobrado pode ficar em pé quando a pega está na posição mais baixa. 46

! O trinco de armazenamento irá fixar-se automaticamente no suporte de montagem, e, em seguida, o carrinho de bebé é dobrado e bloqueado completamente. 46 49

Utilizar acessórios

Os acessórios podem ser vendidos separadamente ou podem não estar disponíveis dependendo da região.

Utilizar com o sistema de retenção para crianças

ver imagens 50 - 55

Ao utilizar com o sistema de retenção para crianças Joie iGem 2, iLevel e iSnug, consulte as instruções seguintes.

! O som de um "clique" significa que o adaptador está corretamente encaixado.

! Se tiver algum problema ao utilizar o sistema de retenção para crianças, consulte os manuais de instruções deles.

! Não dobre o carrinho de bebé com o sistema de retenção para crianças ainda encaixado.

Utilizar a alcofa

ver imagens 56 - 59

Ao utilizar a alcofa Joie ramble xl, consulte as instruções seguintes.

! O som de um "clique" significa que o adaptador está corretamente encaixado.

- ! Utilize o colchão sempre que utiliza a alcofa.
- ! Se tiver algum problema ao utilizar a alcofa, consulte os manual de instruções da mesma.
- ! Não dobre o carrinho de bebê com a alcofa ainda encaixada.

Utilizar a capa impermeável

ver imagens 60

Para instalar a capa impermeável, coloque-a sobre a cadeira.

- ! Ao utilizar a capa impermeável, verifique sempre a sua ventilação.
- ! Quando não estiver em utilização, verifique se a capa impermeável foi limpa e seca antes de a dobrar.
- ! Não dobre o carrinho de bebê depois de instalar a capa impermeável.
- ! Não coloque a criança no carrinho de bebê com a capa impermeável instalada durante o tempo quente.

Utilizar o bolso de armazenamento

ver imagens 61 - 66

O peso total máximo do bolso de armazenamento não deve exceder 1 kg.

O bolso de armazenamento pode ser removido do cesto para ser utilizado separadamente. 66

Utilizar o redutor

ver imagens 67 - 68

Retirar e montar a capa de tecido acolchoado

ver imagens 69 - 84

Remova a barra de proteção conforme exibido 26

Para instalar novamente a capa de tecido acolchoado, siga os passos acima em ordem inversa 84 - 69

Limpeza e manutenção

ver imagens 85

- ! Para limpar a estrutura do carrinho de bebê, utilize apenas sabão e água quente. Não utilizar lixívia ou detergente. Consulte as instruções de limpeza na etiqueta das peças de tecido do carrinho de bebê.
- ! Capas de tecido removíveis podem ser lavadas à máquina. Sem lixívia. Não torça as capas de tecido acolchoado e o revestimento interno para os secar rapidamente. Poderá originar vincos na capa e no acolchoado interior.
- ! Verifique periodicamente se o carrinho de bebê tem parafusos desapertados, peças desgastadas, materiais ou costuras rasgados. Substitua ou repare as peças, conforme necessário. Limpe periodicamente as peças de plástico limpas com um pano macio e húmido. Seque sempre as partes metálicas para evitar a formação de ferrugem se o carrinho entrar em contacto com a água.
- ! A exposição excessiva ao sol ou calor poderá causar o desvanecimento das cores ou a deformação das peças.
- ! Se o carrinho ficar molhado, abra a cobertura e deixe secar completamente antes de guardar.
- ! Se as rodas rangem, utilize um óleo leve (por exemplo, spray de silicone, óleo antiferrugem ou óleo de máquina de costura). É importante colocar o óleo no conjunto do eixo e da roda. 85

! Se utilizar o carrinho de bebê na praia ou em ambientes poeirentos/areia, limpe totalmente o carrinho de bebê após a sua utilização para remover a areia e o sal dos mecanismos e dos componentes das rodas.

IT Benvenuto in Joie™

Congratulazioni per essere entrato a far parte della famiglia Joie! Siamo lieti di partecipare al tuo viaggio assieme al tuo bambino. Con Joie Finiti™ siete sicuri di utilizzare un passeggino di alta qualità, totalmente certificato, approvato in base alle normative di sicurezza europee EN 1888-2:2018. Questo prodotto è adatta a bambini fino a 22 kg o 4 anni, qualunque degli eventi si verifichi prima. Leggere attentamente questo manuale e attenersi a ogni procedura per garantire un viaggio comodo e la migliore protezione per il bambino.

IMPORTANTE - LEGGERE ATTENTAMENTE E CONSERVARE PER RIFERIMENTO FUTURO.

Visitate il nostro sito joiebaby.com per scaricare i manuali e conoscere altri eccezionali prodotti Joie!

Per informazioni più dettagliate, si prega di visitare il nostro sito web all'indirizzo joiebaby.com

Indice

| | |
|--|------------|
| Figure | 1-16 |
| AVVERTENZA | 99 |
| Montaggio del passeggino | 102 |
| Apertura del passeggino | 102 |
| Montaggio e rimozione della ruota anteriore | 102 |
| Montaggio e rimozione della ruota posteriore | 102 |
| Montaggio della capottina | 102 |
| Montaggio e rimozione del portabicchiere | 102 |

| | |
|--|------------|
| Funzionamento del passeggino | 103 |
| Regolazione dello schienale | 103 |
| Uso della fibbia | 103 |
| Uso delle cinture per le spalle e inguinali | 104 |
| Uso del bracciolo | 104 |
| Regolazione della pedanina poggia piedi | 104 |
| Uso del meccanismo di blocco delle ruote anteriori piroettanti | 105 |
| Uso dei freni | 105 |
| Uso della capottina | 105 |
| Regolazione del maniglione di spinta | 105 |
| Inversione della seduta | 105 |
| Uso del cestello porta oggetti | 105 |
| Chiusura del passeggino | 106 |
| Uso degli accessori | 106 |

Rimozione e montaggio del rivestimento imbottito 108

Pulizia e manutenzione 108

Emergenza

In caso di emergenza o incidenti, è estremamente importante portare il bambino al pronto soccorso per cure mediche immediate.

Informazioni sul prodotto

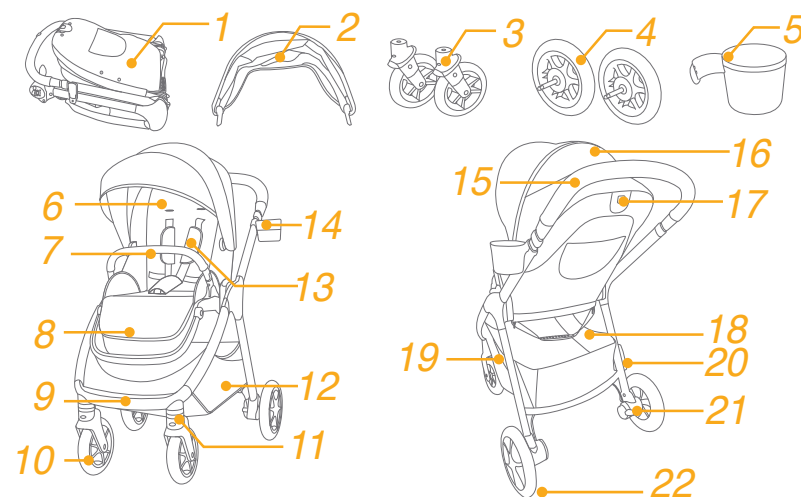
Leggere tutte le istruzioni del presente manuale prima di usare il prodotto. In caso di ulteriori domande, rivolgersi al rivenditore. Alcune funzioni potrebbero variare in base al modello.

| | |
|--------------------|--|
| Prodotto | Passeggino Finiti |
| Adatto a | Questo prodotto è adatta a bambini fino a 22 kg o 4 anni, qualunque degli eventi si verifichi prima. |
| Materiali | Plastica, metallo, tessuto |
| N. brevetto | In attesa di brevetto |
| Prodotto in | Cina |
| Marca | Joie |
| Sito web | www.joiebaby.com |
| Produttore | Allison GmbH |

Elenco parti

Assicurarsi che tutti i pezzi siano disponibili prima dell'assemblaggio. Se manca qualche pezzo, contattare il rivenditore locale. Per l'assemblaggio non è necessario nessun attrezzo.

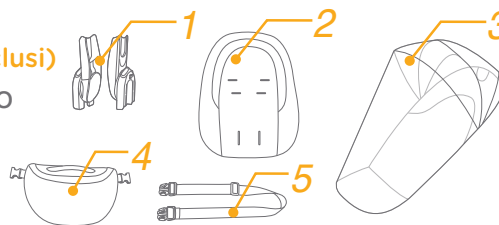
- | | |
|-----------------------------|--------------------------------|
| 1 Telaio passeggino | 12 Cestino porta oggetti |
| 2 Capottina | 13 Cintura per le spalle |
| 3 Ruota anteriore | 14 Portabicchiere |
| 4 Ruota posteriore | 15 Maniglione di spinta |
| 5 Portabicchiere | 16 Finestrella della capottina |
| 6 Imbottitura | 17 Maniglia di reclinazione |
| 7 Bracciolo | 18 Vano porta oggetti |
| 8 Pedanina poggia piedi | 19 Vano porta oggetti |
| 9 Supporto per i piedi | 20 Fermo di chiusura |
| 10 Ruota anteriore | 21 Leva del freno |
| 11 Blocco ruote piroettanti | 22 Ruota posteriore |



Accessori

(potrebbero non essere inclusi)

- | | |
|-------------------------|-------------------------|
| 1 Adattatore | 2 Inserto |
| 3 Copertura antipioggia | 4 Marsupio portaoggetti |
| 5 Cintura di trasporto | |



Gli accessori potrebbero essere venduti separatamente o non essere disponibili a seconda della regione.

AVVERTENZA

- ! AVVERTENZA Non lasciare mai il bambino incustodito.
- ! AVVERTENZA Prima dell'uso, assicurarsi che tutti i dispositivi di blocco siano inseriti.
- ! AVVERTENZA Per evitare lesioni, assicurarsi che il bambino venga allontanato quando si piega o si apre il prodotto.
- ! AVVERTENZA Evitare che i bambini giochino con questo prodotto.
- ! AVVERTENZA Adatto a bambini fino a 22 kg o fino a 48 mesi.
- ! AVVERTENZA Utilizzare sempre il sistema di sicurezza.
- ! AVVERTENZA Controllare che la carrozzina, la seduta o i dispositivi di blocco del seggiolino per auto siano correttamente inseriti prima dell'uso.
- ! Questo prodotto non è adatto per correre o pattinare.
- ! Usare il passeggino con bambini di peso inferiore a 22kg. Se il bambino è troppo grande, si potrebbero causare danni al passeggino.
- ! Per i passeggini concepiti per i neonati, si consiglia di utilizzare la posizione più inclinata.
- ! Il freno deve essere inserito quando si mette o toglie il bambino.
- ! Per evitare una condizione di instabilità pericolosa, non introdurre oltre 4,5 kg nel cestello porta oggetti.
- ! Il peso massimo consigliato nel portabicchiere è di 0,5 kg (1 lb).
- ! Usare il passeggino con un solo bambino per volta.
- ! Non attaccare oggetti al maniglione di spinta, allo schienale o ai lati del passeggino. Qualsiasi ulteriore carico influisce sulla stabilità del passeggino e potrebbe causare il ribaltamento del passeggino.
- ! Qualsiasi carico sul maniglione di spinta, sul retro dello schienale e/o sui lati del passeggino influisce sulla stabilità del passeggino stesso.
- ! Gli accessori non approvati dal produttore non devono essere usati. Utilizzare solo le parti di ricambio fornite o consigliate dal produttore.

- ! Per i sistemi di ritenuta per bambini utilizzati in combinazione con un telaio, questo passeggino non sostituisce una culla o un letto. Se il bambino ha necessità di dormire deve essere messo nella sua culla o nel lettino.
- ! Per evitare il soffocamento, rimuovere il sacchetto di plastica e i materiali di imballaggio prima di usare questo prodotto. Il sacchetto di plastica e i materiali di imballaggio devono quindi essere tenuti lontano dalla portata dei bambini.
- ! La carrozzina è adatta per un bambino che non è ancora in grado di stare seduto da solo, si gira su se stesso e non può rialzarsi con le mani e mettersi in ginocchio. Peso massimo del bambino: 9 kg.
- ! NON utilizzare o aggiungere materassini diversi da quello fornito con la carrozzina.
- ! Il prodotto deve essere montato solo da adulti.
- ! Leggere tutte le istruzioni del manuale prima di usare il prodotto. Conservare questo manuale per riferimenti futuri. La mancata osservanza delle seguenti avvertenze e istruzioni potrebbe causare lesioni gravi o decesso.
- ! Per evitare gravi lesioni a seguito di caduta o scivolamento, usare sempre le cinture.
- ! Assicurarsi che il corpo del bambino sia lontano dalle parti in movimento quando si regola il passeggino.
- ! Non utilizzare mai il passeggino su scale o scale mobili.
- ! Tenere lontano oggetti caldi, liquidi e dispositivi elettronici.
- ! Non posizionare il passeggino su strade, pendii o aree pericolose.
- ! Per evitare il pericolo di strangolamento, non avvolgere oggetti con cavi intorno al collo del bambino, NON sospendere cavi dal prodotto e non legare cavi sui giochi.
- ! NON utilizzare il cestello porta oggetti per il trasporto del bambino.
- ! Per evitare di intrappolarsi le dita, fare attenzione quando si piega e chiude il passeggino.
- ! Per garantire la sicurezza del bambino, assicurarsi che tutte le parti siano assemblate e fissate correttamente prima di usare il passeggino.

- ! Per evitare lo strangolamento, assicurarsi che il bambino sia lontano dalla capottina e dalla copertura antipioggia.
- ! Inserire sempre i freni quando si parcheggia il passeggino.
- ! Cessare di utilizzare il passeggino, se danneggiato o rotto.
- ! Per evitare ustioni, non versare liquidi caldi nel portabicchiere.
- ! Questo prodotto è adatta a bambini fino a 22 kg o 4 anni, qualunque degli eventi si verifichi prima.

Montaggio del passeggino

(Fare riferimento alle figure a pagina 1-16)

Leggere tutte le istruzioni del presente manuale prima di montare e usare il prodotto.

Apertura del passeggino

vedere le figure ① - ④

Separare il fermo di chiusura dal supporto fermo di chiusura ①, quindi sollevare la maniglia verso l'alto ②. Quando si sente un clic significa che il passeggino è completamente aperto.

La seduta è reversibile. ④

! Verificare che il passeggino sia completamente bloccato prima di continuare ad utilizzarlo.

Montaggio e rimozione della ruota anteriore

vedere le figure ⑤ - ⑥

Montaggio e rimozione della ruota posteriore

vedere le figure ⑦ - ⑧

Montaggio della capottina

vedere le figure ⑨ - ⑪

Montaggio e rimozione del portabicchiere

vedere le figure ⑫ - ⑬

Il passeggino completamente assemblato è mostrato in ⑭

Funzionamento del passeggino

Regolazione dello schienale

vedere figura 15

Vi sono 4 angoli di inclinazione per lo schienale.

Per sollevare o reclinare lo schienale, sollevare la maniglia di inclinazione sul retro del sedile e tirare verso il basso lo schienale. 15

! Non premere il pulsante di sgancio 15 - 3 al centro della maniglia di inclinazione quando si regola l'angolo di inclinazione.

! Assicurarsi che la inclinazione sia regolata correttamente per l'uso.

! Il carico massimo della tasca portaoggetti sul retro dello schienale è di 0,45 kg.

Uso della fibbia

vedere le figure 16 - 17

Rilascio della fibbia

Premendo il pulsante, la fibbia viene rilasciata automaticamente. 16

Chiusura della fibbia

Far combaciare la fibbia della cintura addominale con quella delle spalle 17 - 1 e allinearle con la fibbia centrale. La fibbia si può bloccare automaticamente. 17 - 2 Quando si sente il "clic" significa che la fibbia è bloccata. 17 - 3

! Per evitare gravi lesioni a seguito di caduta o scivolamento, allacciare il bambino con le cinture.

! Assicurarsi che il bambino sia perfettamente allacciato. Lo spazio tra il bambino e la cintura per le spalle deve essere di circa lo spessore di una mano.

! Non incrociare le cinture per le spalle. Ciò provocherà pressione sul collo del bambino.

Uso delle cinture per le spalle e inguinali

vedere le figure 18 - 23

! Per proteggere il bambino dalla caduta, dopo averlo posizionato nel sedile, verificare che le cinture per le spalle e inguinali siano all'altezza e della lunghezza conformi.

18 - 1 Punto di attacco della cintura per le spalle

18 - 2 Dispositivo di regolazione scorrimento

Per i bambini più grandi, utilizzare il punto di attacco della cintura per le spalle e le fessure superiori per le spalle. Per i bambini più piccoli, utilizzare il punto di attacco della cintura per le spalle e le fessure inferiori per le spalle.

Per regolare la posizione del punto di attacco della cintura per le spalle, girare il punto di attacco in modo che sia in piano con il lato rivolto in avanti. Infilarlo nella fessura della cintura per le spalle dalla parte posteriore a quella anteriore. 21 Infilarlo di nuovo nella fessura più vicina all'altezza delle spalle del bambino. 22

Utilizzare il dispositivo di regolazione scorrimento per modificare la lunghezza delle cinture. 23 - 1

Premere il pulsante 23 - 2 mentre si tira la cintura inguinale alla lunghezza adeguata. 23 - 3

Uso del bracciolo

vedere le figure 24 - 26

Regolazione della pedana poggia piedi

vedere le figure 27 - 28

Il supporto per la gamba ha 2 posizioni.

Per abbassarlo, premere i pulsanti di regolazione su entrambi i lati del supporto per la gamba 27 - 1 e ruotarlo verso il basso. 27 - 2

Per sollevarlo, spingerlo verso l'alto. Quando si sente il "clic" significa che il supporto per la gamba è completamente bloccato.

Uso del meccanismo di blocco delle ruote anteriori piroettanti

vedere figura 29

Spingere il tasto di blocco a sinistra per orientare la ruota, a destra per rilasciare 29

Suggerimento Raccomandiamo di utilizzare il blocco orientabile sulle superfici irregolari.

Uso dei freni

vedere le figure 30 - 31

Per bloccare le ruote, portare la leva del freno verso il basso. 30

Per rilasciare le ruote, basta sollevare verso l'alto la leva del freno. 31

Suggerimento Applicare sempre il freno di stazionamento quando il passeggino non è in movimento.

Uso della capottina

vedere le figure 32 - 34

La capottina può essere aperta completamente per proteggere il bambino dal sole. Basta aprire la cerniera 33 e tirare la capottina avanti.

Regolazione del maniglione di spinta

vedere le figure 35

Inversione della seduta

vedere le figure 36 - 39

Uso del cestello porta oggetti

vedere figura 40

Il carico massimo di ciascun vano porta oggetti su entrambi i lati del cestello è di 0,45 kg.

Chiusura del passeggino

vedere le figure 41 - 49

! Il pulsante al centro della maniglia di reclinazione viene utilizzato per piegare la seduta del passeggino. 42 - 1

! Il passeggino piegato può rimanere in piedi da solo quando il maniglione di spinta è completamente abbassato. 46

! Il fermo di chiusura si aggancia automaticamente al supporto fermo di chiusura, quindi il passeggino viene piegato e bloccato completamente. 46 49

Uso degli accessori

Gli accessori potrebbero essere venduti separatamente o non essere disponibili a seconda della regione.

Uso con seggiolino auto

vedere le figure 50 - 55

Quando si utilizza il sistema di ritenuta per bambini Joie iGemm 2, iLevel & iSnug, consultare le seguenti istruzioni.

! Quando si sente il "clic" significa che l'adattatore è completamente bloccato.

! In caso di problemi con l'uso del sistema di ritenuta per bambini, fare riferimenti ai relativi manuali di istruzioni.

! Non piegare il passeggino se il sistema di ritenuta per bambini è ancora fissato.

Uso della carrozzina

vedere le figure 56 - 59

Quando si utilizza con la carrozzina Joie Ramble XL, consultare le seguenti istruzioni.

! Quando si sente il "clic" significa che l'adattatore è completamente bloccato.

- ! Quando si usa la carrozzina, usare sempre anche il materassino.
- ! In caso di problemi con l'uso della carrozzina, fare riferimento ai relativi manuali di istruzioni.
- ! Non piegare il passeggino quando è ancora agganciata la carrozzina.

Uso della copertura antipioggia

vedere figura 60

Per assemblare la copertura antipioggia, collocarla sopra la seduta.

- ! Quando si usa la copertura antipioggia, controllare sempre la ventilazione.
- ! Se non viene utilizzata, controllare che la copertura antipioggia sia pulita e asciutta prima di ripiegarla.
- ! Non piegare il passeggino dopo aver montato la copertura antipioggia.
- ! Non far sedere il bambino nel passeggino con la copertura antipioggia montata quando fa caldo.

Uso marsupio portaoggetti

vedere le figure 61 - 66

Il peso massimo totale del marsupio portaoggetti non deve superare 1 kg.

Il marsupio portaoggetti può essere rimosso dal cestello per utilizzarlo separatamente. 66

Uso dell'inserto

vedere le figure 67 - 68

Rimozione e montaggio del rivestimento imbottito

vedere le figure 69 - 84

Rimuovere il bracciolo mostrato come 26

Per rimontare il rivestimento imbottito del sedile, invertire le procedure di cui sopra 84 - 69

Pulizia e manutenzione

vedere figura 85

- ! Per pulire la struttura del passeggino, utilizzare solo una soluzione di sapone e acqua calda. Non usare candeggina o detergente. Fare riferimento all'etichetta con le istruzioni di lavaggio per pulire il tessuto del passeggino.
- ! Il rivestimento imbottito rimovibile può essere lavato in lavatrice. Non usare candeggina. Non attorcigliare la fodera e l'imbottitura interna per asciugare con grande forza. Si potrebbero lasciare grinze sulla fodera e l'imbottitura interna.
- ! Controllare periodicamente la presenza di viti allentate, componenti usurati, materiali strappati o scuciti nel passeggino. Se necessario, sostituire o riparare i componenti. Pulire periodicamente le parti in plastica con un panno umido. Asciugare sempre le parti di metallo per evitare la formazione di ruggine se il passeggino entra in contatto con l'acqua.
- ! Un'eccessiva esposizione alla luce del sole potrebbe causare lo sbiadimento o la deformazione dei componenti.
- ! Se il passeggino si bagna, aprire la capottina e lasciarlo asciugare completamente prima di riporlo.
- ! Se le ruote cigolano, utilizzare un olio leggero (ad esempio, spray al silicone, olio antiruggine o olio per macchine da

cucire). È importante oliare assieme asse e ruota. 85

! Quando si utilizza il passeggino in spiaggia o altri ambienti sabbiosi/polverosi, pulirlo completamente dopo l'uso per rimuovere sabbia e sale dai meccanismi e dalle ruote.

EL Καλώς ήλθατε στη Joie™

Συγχαρητήρια, γίνετε μέλος της οικογένειας Joie! Είμαστε ιδιαίτερος ενθουσιασμένοι που θα βρισκόμαστε μαζί στο ταξίδι σας με το μικρό σας. Κατά τις μετακινήσεις σας με το Joie Finiti™, χρησιμοποιείτε ένα υψηλής ποιότητας, πλήρως πιστοποιημένο καρότσι που έχει εγκριθεί σύμφωνα με τα ευρωπαϊκά πρότυπα ασφαλείας EN 1888-2:2018. Αυτό το προϊόν είναι κατάλληλο για παιδιά βάρους μέχρι και 22 κιλών ή ηλικίας έως 4 ετών, όποιο συμβεί πρώτο. Διαβάστε προσεκτικά αυτό το εγχειρίδιο και ακολουθήστε κάθε βήμα για να εξασφαλίσετε άνετη μετακίνηση και βέλτιστη προστασία για το παιδί σας.

ΣΗΜΑΝΤΙΚΟ - ΔΙΑΒΑΣΤΕ ΠΡΟΣΕΚΤΙΚΑ ΚΑΙ ΦΥΛΑΞΤΕ ΓΙΑ ΜΕΛΛΟΝΤΙΚΗ ΑΝΑΦΟΡΑ.

Επισκεφθείτε μας στο joiebaby.com για να κατεβάσετε εγχειρίδια και να δείτε κι άλλα συναρπαστικά προϊόντα Joie!

Για πληροφορίες σχετικά με την εγγύηση, επισκεφθείτε την ιστοσελίδα μας στο joiebaby.com

Περιεχόμενα

| | |
|--|------------|
| Εικόνες | 1-16 |
| ΠΡΟΕΙΔΟΠΟΙΗΣΗ | 115 |
| Συναρμολόγηση καροτσιού | 118 |
| Άνοιγμα καροτσιού | 118 |
| Συναρμολόγηση & αφαίρεση μπροστινού τροχού | 118 |
| Συναρμολόγηση & αφαίρεση πίσω τροχού | 118 |
| Συναρμολόγηση της κουκούλας | 118 |
| Συναρμολόγηση & αφαίρεση βάσης δοχείου | 118 |

| | |
|---|------------|
| Χρήση καροτσιού | 119 |
| Ρύθμιση πλάτης | 119 |
| Χρήση της πόρπης | 119 |
| Χρήση των ιμάντων ώμων και μέσης | 120 |
| Χρήση της προστατευτικής μπάρας | 120 |
| Ρύθμιση στηρίγματος ποδιών | 120 |
| Χρήση ασφάλειας μπροστινών τροχών | 121 |
| Χρήση του φρένου | 121 |
| Χρήση της κουκούλας | 121 |
| Ρύθμιση λαβής | 121 |
| Αλλαγή καθίσματος | 121 |
| Χρήση σάκου αποθήκευσης | 121 |
| Αναδίπλωση καροτσιού | 122 |
| Χρήση των εξαρτημάτων | 122 |
| Αφαίρεση και συναρμολόγηση μαλακών στοιχείων | 124 |
| Καθαρισμός και συντήρηση | 124 |

Έκτακτη ανάγκη

Σε περίπτωση έκτακτης ανάγκης ή ατυχήματος, η παροχή των πρώτων βοηθειών στο παιδί σας και η άμεση αναζήτηση ιατρικής περίθαλψης αποτελούν επιτακτική ανάγκη.

Πληροφορίες για το προϊόν

Διαβάστε όλες τις οδηγίες που περιέχονται σε αυτόν τον οδηγό πριν χρησιμοποιήσετε αυτό το προϊόν. Εάν έχετε περαιτέρω απορίες, συμβουλευτείτε τον έμπορο λιανικής πώλησης.

Ορισμένα χαρακτηριστικά ενδέχεται να διαφέρουν ανάλογα με το μοντέλο.

Προϊόν Καρότσι Finiti
Κατάλληλο για Αυτό το προϊόν είναι κατάλληλο για παιδιά βάρους μέχρι και 22 κιλών ή ηλικίας έως 4 ετών, όποιο συμβεί πρώτο.

Υλικά Πλαστικά, μέταλλο, υφάσματα

Αριθμός ευρεσιτεχνίας Διπλώματα ευρεσιτεχνίας σε εκκρεμότητα

Χώρα κατασκευής Κίνα

Μάρκα Joie

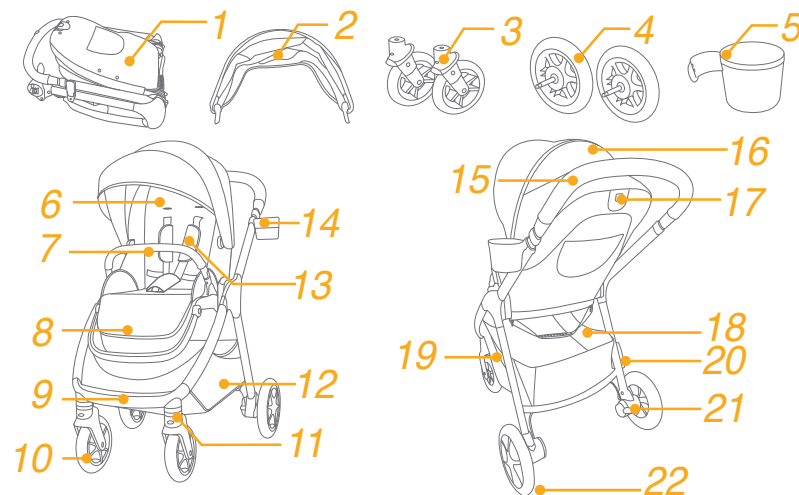
Ιστοσελίδα www.joiebaby.com

Κατασκευαστής Allison GmbH

Κατάλογος εξαρτημάτων

Πριν από τη συναρμολόγηση βεβαιωθείτε ότι όλα τα εξαρτήματα είναι διαθέσιμα. Εάν λείπει οποιοδήποτε εξάρτημα, παρακαλούμε επικοινωνήστε με το κατάστημα λιανικής πώλησης. Δεν απαιτούνται εργαλεία για τη συναρμολόγηση.

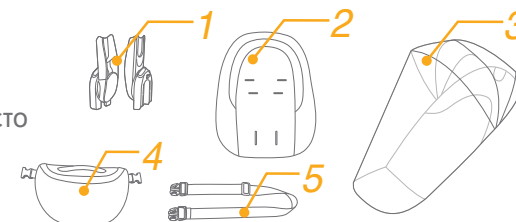
- | | | | |
|----|---------------------|----|---------------------|
| 1 | Πλαίσιο καροτσιού | 12 | Καλάθι αποθήκευσης |
| 2 | Κουκούλα | 13 | Ιμάντας ώμου |
| 3 | Μπροστινός τροχός | 14 | Βάση δοχείου |
| 4 | Πίσω τροχός | 15 | Λαβή |
| 5 | Βάση δοχείου | 16 | Παράθυρο κουκούλας |
| 6 | Μαξιλάρι καθίσματος | 17 | Μοχλός ανάκλισης |
| 7 | Προστατευτική μπάρα | 18 | Σάκος αποθήκευσης |
| 8 | Στήριγμα ποδιών | 19 | Σάκος αποθήκευσης |
| 9 | Υποπόδιο | 20 | Μάνταλο αποθήκευσης |
| 10 | Μπροστινός τροχός | 21 | Μοχλός φρένου |
| 11 | Κλείδωμα τροχών | 22 | Πίσω τροχός |



Εξαρτήματα

(Ενδέχεται να μην περιλαμβάνονται)

- | | | | |
|---|-------------------|---|--------|
| 1 | Προσαρμογέας | 2 | Ένθετο |
| 3 | Κάλυμμα βροχής | | |
| 4 | Τσέπη αποθήκευσης | | |
| 5 | Ιμάντας μεταφοράς | | |



Τα εξαρτήματα ενδέχεται να πωλούνται ξεχωριστά ή να μην είναι διαθέσιμα ανάλογα με την περιοχή.

ΠΡΟΕΙΔΟΠΟΙΗΣΗ

- ! ΠΡΟΕΙΔΟΠΟΙΗΣΗ Μην αφήνετε ποτέ το παιδί σας χωρίς επίβλεψη.
- ! ΠΡΟΕΙΔΟΠΟΙΗΣΗ Βεβαιωθείτε ότι έχουν ενεργοποιηθεί όλες οι διατάξεις ασφάλειας πριν από τη χρήση.
- ! ΠΡΟΕΙΔΟΠΟΙΗΣΗ Για να αποφύγετε τραυματισμούς, βεβαιωθείτε ότι το παιδί παραμένει σε απόσταση όταν ανοίγετε και κλείνετε αυτό το προϊόν.
- ! ΠΡΟΕΙΔΟΠΟΙΗΣΗ Μην αφήνετε το παιδί σας να παίζει με αυτό το προϊόν.
- ! ΠΡΟΕΙΔΟΠΟΙΗΣΗ Κατάλληλο για παιδιά βάρους έως 22 κιλών ή ηλικίας έως 48 μηνών.
- ! ΠΡΟΕΙΔΟΠΟΙΗΣΗ Χρησιμοποιείτε πάντα το σύστημα συγκράτησης.
- ! ΠΡΟΣΟΧΗ Βεβαιωθείτε ότι το σώμα του καροτσιού, το κάθισμα και τα εξαρτήματα στερέωσης του καθίσματος είναι σωστά τοποθετημένα πριν τη χρήση.
- ! Αυτό το προϊόν δεν είναι κατάλληλο για τρέξιμο ή πατινάζ.
- ! Χρησιμοποιήστε το καρότσι αν το παιδί σας ζυγίζει λιγότερο από 22 κιλά. Κίνδυνος πρόκλησης βλάβης στο καρότσι, αν το παιδί ζυγίζει περισσότερο.
- ! Για τα καρότσια που προορίζονται για χρήση από τη γέννηση, συνιστάται η χρήση της πλέον οριζόντιας θέσης για τα νεογέννητα μωρά.
- ! Κατά την τοποθέτηση και την αφαίρεση του παιδιού πρέπει να ενεργοποιείται το φρένο.
- ! Για να αποφύγετε επικίνδυνες, ασταθείς καταστάσεις, μην τοποθετείτε αντικείμενα βάρους άνω των 4,5 κιλών στο καλάθι αποθήκευσης.
- ! Το μέγιστο συνιστώμενο βάρος για τη βάση δοχείου είναι 0,5 κιλά.
- ! Χρησιμοποιείτε το καρότσι μόνο με ένα παιδί τη φορά.
- ! Μην τοποθετείτε αντικείμενα στη λαβή, στην πλάτη του καθίσματος ή στα πλαϊνά του καροτσιού. Οποιοδήποτε πρόσθετο βάρος θα επηρεάσει τη σταθερότητα και θα μπορούσε να προκαλέσει ανατροπή του καροτσιού.

- ! Κάθε φορτίο στη λαβή ή/και στο πίσω μέρος της πλάτης ή/και στις πλευρές του καροτσιού επηρεάζει τη σταθερότητα του καροτσιού.
- ! Εξαρτήματα που δεν έχουν εγκριθεί από τον κατασκευαστή δεν πρέπει να χρησιμοποιούνται. Πρέπει να χρησιμοποιούνται μόνο ανταλλακτικά που παρέχονται ή συνιστώνται από τον κατασκευαστή.
- ! Τα πορτ-μπεμπέ που χρησιμοποιούνται σε συνδυασμό με ένα πλαίσιο δεν αντικαθιστούν μια κούνια ή ένα κρεβάτι. Εάν το παιδί σας πρέπει να κοιμηθεί, τότε θα πρέπει να τοποθετηθεί σε κατάλληλο πορτ-μπεμπέ, κούνια ή κρεβάτι.
- ! Για την αποφυγή ασφυξίας, αφαιρέστε την πλαστική σακούλα και τα υλικά συσκευασίας πριν από τη χρήση του προϊόντος. Η πλαστική σακούλα και τα υλικά συσκευασίας θα πρέπει στη συνέχεια να φυλάσσονται μακριά από μωρά και παιδιά.
- ! Το πορτ-μπεμπέ είναι κατάλληλο μόνο για παιδιά που δεν μπορούν να καθίσουν χωρίς βοήθεια, να γυρίσουν ή να ανασηκωθούν με τα χέρια και τα γόνατά τους. Μέγιστο βάρος παιδιού: 9 κιλά.
- ! ΜΗΝ χρησιμοποιείτε ή προσθέτετε άλλο στρώμα εκτός από αυτό που παρέχεται με το πορτ-μπεμπέ.
- ! Απαιτείται συναρμολόγηση από ενήλικο.
- ! Διαβάστε όλες τις οδηγίες σε αυτό το εγχειρίδιο πριν τη χρήση του προϊόντος. Φυλάξτε αυτό το εγχειρίδιο οδηγιών για μελλοντική χρήση. Σε περίπτωση που δεν ακολουθήσετε αυτές τις προειδοποιήσεις και οδηγίες, αυτό μπορεί να έχει ως αποτέλεσμα σοβαρό τραυματισμό ή ακόμη και θάνατο.
- ! Για να αποφύγετε σοβαρούς τραυματισμούς από πτώση ή ολίσθηση, χρησιμοποιείτε πάντα ζώνη ασφαλείας.
- ! Βεβαιωθείτε ότι το σώμα του παιδιού σας είναι μακριά από κινούμενα μέρη κατά τη ρύθμιση του καροτσιού.
- ! Ποτέ μην χρησιμοποιείτε το καρότσι σε σκάλες ή κυλιόμενες σκάλες.
- ! Διατηρείτε μακριά από αντικείμενα υψηλής θερμοκρασίας, υγρά και ηλεκτρονικό εξοπλισμό.
- ! Μην χρησιμοποιείτε το καρότσι σε δρόμους, πλαγιές ή επικίνδυνες περιοχές.

- ! Για να αποφύγετε πιθανότητα στραγγαλισμού, ΜΗΝ τοποθετείτε αντικείμενα με κορδόνια γύρω από το λαιμό του παιδιού σας, μην αναρτάτε κορδόνια πάνω από το προϊόν και μην ή δένετε παιχνίδια με κορδόνια.
- ! ΜΗΝ χρησιμοποιείτε το καλάθι αποθήκευσης για να μεταφέρετε το παιδί.
- ! Για να αποφύγετε τραυματισμό των δακτύλων, πρέπει να προσέχετε όταν ανοίγετε και κλείνετε το καρότσι.
- ! Για να διασφαλίσετε την ασφάλεια του παιδιού σας, βεβαιωθείτε ότι όλα τα μέρη έχουν συναρμολογηθεί και στερεωθεί σωστά πριν χρησιμοποιήσετε το καρότσι.
- ! Για να αποφύγετε κίνδυνο στραγγαλισμού, βεβαιωθείτε ότι το παιδί σας είναι σε απόσταση από την κουκούλα.
- ! Ενεργοποιείτε πάντα τα φρένα κατά τη στάθμευση του καροτσιού.
- ! Διακόψτε τη χρήση του καροτσιού αν έχει υποστεί φθορά.
- ! Για να αποφύγετε εγκαύματα, μην βάζετε ποτέ ζεστά υγρά στη βάση δοχείου.
- ! Αυτό το προϊόν είναι κατάλληλο για παιδιά βάρους μέχρι και 22 κιλών ή ηλικίας έως 4 ετών, όποιο συμβεί πρώτο.

Συναρμολόγηση καροτσιού

(Ανατρέξτε στις εικόνες στις σελίδες 1-16)

Διαβάστε όλες τις οδηγίες σε αυτό το εγχειρίδιο πριν τη συναρμολόγηση και χρήση του προϊόντος.

Άνοιγμα καροτσιού

Δείτε τις εικόνες ① - ④

Ελευθερώστε το μάνταλο ασφάλισης από την υποδοχή ασφάλισης ① και, στη συνέχεια, σηκώστε τη λαβή προς τα πάνω ②. Ένας ήχος κλικ υποδεικνύει ότι το καρότσι έχει ανοίξει πλήρως.

Το κάθισμα είναι αναστρέψιμο. ④

! Βεβαιωθείτε ότι το καρότσι είναι σωστά ανοιγμένο πριν το χρησιμοποιήσετε.

Συναρμολόγηση & αφαίρεση μπροστινού τροχού

Δείτε τις εικόνες ⑤ - ⑥

Συναρμολόγηση & αφαίρεση πίσω τροχού

Δείτε τις εικόνες ⑦ - ⑧

Συναρμολόγηση της κουκούλας

Δείτε τις εικόνες ⑨ - ⑪

Συναρμολόγηση & αφαίρεση βάσης δοχείου

Δείτε τις εικόνες ⑫ - ⑬

Το πλήρως συναρμολογημένο καρότσι εμφανίζεται στην εικόνα ⑭

Χρήση καρτσιού

Ρύθμιση πλάτης

Δείτε την εικόνα 15

Υπάρχουν 4 γωνίες κλίσης για την πλάτη.

Για να ανεβάσετε ή να κατεβάσετε την πλάτη του καθίσματος, στρέψτε τη λαβή στο πίσω μέρος του καθίσματος, πιέζοντας την πλάτη προς τα κάτω. 15

! Μην πατάτε το κουμπί αποδέσμευσης 15 - 3 στη μέση της λαβής κλίσης όταν ρυθμίζετε τη γωνία κλίσης.

! Βεβαιωθείτε ότι η κλίση έχει ρυθμιστεί σωστά.

! Το μέγιστο φορτίο της τσέπης αποθήκευσης στο πίσω μέρος της πλάτης είναι 0,45 κιλά.

Χρήση της πόρπης

Δείτε τις εικόνες 16 - 17

Άνοιγμα πόρπης

Πατήστε το κουμπί, η πόρπη θα απελευθερωθεί αυτόματα. 16

Κλείδωμα πόρπης

Ταιριάξτε την πόρπη του ιμάντα μέσης με εκείνη του ιμάντα ώμων 17 - 1, και ευθυγραμμίστε τις με την κεντρική πόρπη, ώστε η πόρπη να μπορεί να ασφαλίσει αυτόματα. 17 - 2 Ένας ήχος “κλικ” σημαίνει ότι η πόρπη έχει ασφαλίσει σωστά. 17 - 3

! Για να αποφύγετε σοβαρούς τραυματισμούς από πτώση ή ολίσθηση, χρησιμοποιείτε πάντα τους ιμάντες.

! Βεβαιωθείτε ότι το παιδί σας είναι δεμένο σωστά.

Βεβαιωθείτε ότι ο χώρος μεταξύ του παιδιού και του ιμάντα ώμου είναι περίπου το πάχος ενός χεριού.

! Μην σταυρώνετε τους ιμάντες ώμου. Αυτό θα ασκήσει πίεση στον αυχένα του παιδιού.

Χρήση των ιμάντων ώμων και μέσης

Δείτε τις εικόνες 18 - 23

! Για να προστατέψετε το παιδί σας από πτώσεις, αφού το τοποθετήσετε στο κάθισμα, ελέγξτε εάν οι ιμάντες ώμων και μέσης έχουν ρυθμιστεί σωστά.

18 - 1 Άγκιστρο ιμάντα ώμου

18 - 2 Ρύθμιση μήκους

Για μεγαλύτερα παιδιά, χρησιμοποιήστε το άγκιστρο ιμάντα ώμου και τις επάνω υποδοχές ιμάντα. Για μικρότερα παιδιά, χρησιμοποιήστε το άγκιστρο ιμάντα ώμου και τις κάτω υποδοχές ιμάντα.

Για να ρυθμίσετε τη θέση του άγκιστρου των ιμάντων ώμων, στρέψτε το άγκιστρο ώστε να είναι επίπεδο με το πλαϊνό τμήμα στραμμένο προς τα εμπρός. Περάστε το από την υποδοχή από πίσω προς τα εμπρός. 21 Περάστε το ξανά από την υποδοχή που είναι πιο κοντά στο ύψος των ώμων του παιδιού. 22

Χρησιμοποιήστε το ρυθμιστικό για να προσαρμόσετε το μήκος του ιμάντα. 23 - 1

Πατήστε το κουμπί 23 - 2 και τραβήξτε τον ιμάντα μέσης για να ρυθμίσετε το σωστό μήκος. 23 - 3

Χρήση της προστατευτικής μπάρας

Δείτε τις εικόνες 24 - 26

Ρύθμιση στηρίγματος ποδιών

Δείτε τις εικόνες 27 - 28

Το στήριγμα ποδιών έχει 2 θέσεις.

Για να κατεβάσετε το στήριγμα ποδιών, πατήστε τα κουμπιά ρύθμισης και στις δύο πλευρές του στηρίγματος ποδιών 27 - 1 και περιστρέψτε το στήριγμα προς τα κάτω. 27 - 2

Για να ανεβάσετε το στήριγμα ποδιών, ωθήστε το προς τα πάνω. Ένας ήχος “κλικ” σημαίνει ότι το στήριγμα έχει ασφαλίσει σωστά.

Χρήση της ασφάλειας μπροστινών τροχών

Δείτε τις εικόνες 29

Περιστρέψτε το περιστρεφόμενο κλείδωμα αριστερά προς προσανατολισμό. Περιστρέψτε το περιστρεφόμενο κλείδωμα δεξιά για να το απελευθερώσετε 29

Συμβουλή Συνιστάται η χρήση της ασφάλειας των μπροστινών τροχών σε ανώμαλες επιφάνειες.

Χρήση του φρένου

Δείτε τις εικόνες 30 - 31

Για να ασφαλίσετε τους τροχούς, πιέστε τον μοχλό φρένων προς τα κάτω. 30

Για να απελευθερώσετε τροχούς, απλά ανασηκώστε τον μοχλό φρένων. 31

Συμβουλή Ενεργοποιείτε πάντα το φρένο όταν το καρότσι δεν κινείται.

Χρήση της κουκούλας

Δείτε τις εικόνες 32 - 34

Η κουκούλα μπορεί να ανοίξει πλήρως για την προστασία του παιδιού σας από τον ήλιο. Απλά ανοίξτε φερμουάρ 33 και, στη συνέχεια, τραβήξτε την κουκούλα προς τα εμπρός.

Ρύθμιση λαβής

Δείτε τις εικόνες 35

Αλλαγή καθίσματος

Δείτε τις εικόνες 36 - 39

Χρήση σάκου αποθήκευσης

Δείτε τις εικόνες 40

Το μέγιστο φορτίο κάθε σάκου αποθήκευσης και στις δύο πλευρές του καλαθιού είναι 0,45 κιλά.

Αναδίπλωση καροτσιού

Δείτε τις εικόνες 41 - 49

! Το κουμπί στο κέντρο που μοχλού ανάκλισης χρησιμοποιείται για την αναδίπλωση του καθίσματος. 42 - 1

! Το διπλωμένο καρότσι μπορεί να σταθεί όταν η λαβή βρίσκεται στη χαμηλότερη θέση. 46

! Το μάνδαλο ασφάλισης θα κουμπώσει αυτόματα στην υποδοχή και το καρότσι θα ασφαλίσει πλήρως. 46 49

Χρήση των εξαρτημάτων

Τα εξαρτήματα ενδέχεται να πωλούνται ξεχωριστά ή να μην είναι διαθέσιμα ανάλογα με την περιοχή.

Χρήση με παιδικό κάθισμα ασφαλείας

Δείτε τις εικόνες 50 - 55

Κατά τη χρήση με το παιδικό κάθισμα Joie iGem 2 & iLevel & iSnug, παρακαλούμε ανατρέξτε στις παρακάτω οδηγίες.

! Ένας ήχος “κλικ” σημαίνει ότι ο προσαρμογέας έχει ασφαλίσει σωστά.

! Εάν αντιμετωπίζετε οποιαδήποτε προβλήματα σχετικά με τη χρήση του καθίσματος, ανατρέξτε στο σχετικό εγχειρίδιο οδηγιών.

! Μην κλείνετε το καρότσι όταν είναι τοποθετημένο το κάθισμα.

Χρήση πορτ μπεμπέ

Δείτε τις εικόνες 56 - 59

Κατά τη χρήση με το πορτ-μπεμπέ Joie rambler xl, παρακαλούμε ανατρέξτε στις παρακάτω οδηγίες.

! Ένας ήχος “κλικ” σημαίνει ότι ο προσαρμογέας έχει ασφαλίσει σωστά.

- ! Χρησιμοποιείτε πάντα το στρώμα όταν χρησιμοποιείτε το πορτ-μπεμπέ.
- ! Εάν αντιμετωπίζετε οποιαδήποτε προβλήματα σχετικά με τη χρήση του πορτ-μπεμπέ, ανατρέξτε στο σχετικό εγχειρίδιο οδηγιών.
- ! Μην κλείνετε το καρότσι όταν είναι τοποθετημένο το πορτ-μπεμπέ.

Χρήση του καλύμματος βροχής

Δείτε τις εικόνες 60

Για να συναρμολογήσετε το κάλυμμα βροχής, τοποθετήστε το πάνω από το κάθισμα.

- ! Όταν χρησιμοποιείτε το κάλυμμα βροχής, ελέγχετε πάντα τον αερισμό του καροτσιού.
- ! Όταν δεν χρησιμοποιείται, ελέγξτε ότι το κάλυμμα βροχής είναι καθαρό και στεγνό πριν το διπλώσετε.
- ! Μην κλείνετε το καρότσι όταν είναι τοποθετημένο το κάλυμμα βροχής.
- ! Μην τοποθετείτε το παιδί σας στο καρότσι με το κάλυμμα βροχής τοποθετημένο αν ο καιρός είναι ζεστός.

Χρήση τσέπης αποθήκευσης

Δείτε τις εικόνες 61 - 66

Το συνολικό μέγιστο βάρος της τσέπης αποθήκευσης δεν πρέπει να υπερβαίνει το 1kg.

Η τσέπη αποθήκευσης μπορεί να αφαιρεθεί από το καλάθι για ξεχωριστή χρήση. 66

Χρήση ένθετου

Δείτε τις εικόνες 67 - 68

Αφαίρεση και συναρμολόγηση μαλακών στοιχείων

Δείτε τις εικόνες 69 - 84

Αφαιρέστε την προστατευτική μπάρα όπως φαίνεται στην εικόνα 26

Για να τοποθετήσετε ξανά τα μαλακά στοιχεία καθίσματος, ακολουθήστε τα βήματα με την αντίστροφη σειρά 84 - 69

Καθαρισμός και συντήρηση

Δείτε τις εικόνες 85

- ! Για να καθαρίσετε το πλαίσιο του καροτσιού, χρησιμοποιήστε οικιακό σαπούνι και ζεστό νερό. Μην χρησιμοποιείτε λευκαντικό ή απορρυπαντικό. Ανατρέξτε στην ετικέτα φροντίδας για οδηγίες σχετικά με τον καθαρισμό των υφασμάτων των τμημάτων του καροτσιού.
- ! Τα αφαιρούμενα μαλακά στοιχεία μπορούν να πλυθούν στο πλυντήριο. Μην χρησιμοποιείτε λευκαντικό. Μην στύβετε υπερβολικά το κάλυμμα του καθίσματος και την εσωτερική επένδυση για να στεγνώσουν. Αυτό ενδέχεται να δημιουργήσει ζάρες στο κάλυμμα του καθίσματος και την εσωτερική επένδυση.
- ! Ελέγχετε περιοδικά το καρότσι για χαλαρές βίδες, φθαρμένα εξαρτήματα, σχισμένο υλικό ή φθορές. Αντικαταστήστε ή επισκευάστε τα εξαρτήματα όπως απαιτείται. Περιστασιακά, σκουπίζετε τα πλαστικά μέρη με ένα μαλακό υγρό πανί. Στεγνώνετε πάντα τα μεταλλικά μέρη για να αποτρέψετε τη δημιουργία σκουριάς εάν το καρότσι έρθει σε επαφή με το νερό.
- ! Η υπερβολική έκθεση στον ήλιο ή τη θερμότητα μπορεί να προκαλέσει ξεθώριασμα ή παραμόρφωση των εξαρτημάτων.
- ! Εάν το καρότσι βραχεί, ανοίξτε την κουκούλα και αφήστε το να στεγνώσει καλά πριν το αποθηκεύσετε.

- ! Εάν οι τροχοί τρίζουν, χρησιμοποιήστε ένα ελαφρύ λάδι (π.χ. σπρέι πυριτίου, αντισκωριακό λάδι ή λάδι ραπτομηχανής). Είναι σημαντικό να εισέλθει το λάδι στο συγκρότημα άξονα και τροχού. 85
- ! Όταν χρησιμοποιείτε το καροτσάκι σας στην παραλία ή σε χώρους με άμμο/σκόνη, καθαρίστε πλήρως το καροτσάκι σας μετά τη χρήση για να αφαιρέσετε άμμο και αλάτι από τους μηχανισμούς και τα συγκροτήματα τροχών.

TR Joie™'ye Hoş Geldiniz

Joie ailesinin bir parçası olduğunuz için tebrikler! Çocuğunuz ile birlikte yapacağınız seyahatinizin bir parçası olmak bizi fazlasıyla heyecanlandırıyor. Joie Finiti™ ile seyahat ederken, EN 1888-2:2018 Avrupa güvenlik standartlarıyla onaylanmış, yüksek kaliteli, tamamen sertifikalı bir bebek arabası kullanırsınız. Bu ürün, doğumdan 22kg'a veya 4 yaşına kadar olan çocuklar için uygundur (hangisi önce gelirse). Lütfen bu kılavuzu dikkatlice okuyun ve çocuğunuz için rahat bir sürüş ve en iyi korumayı sağladığınızdan emin olmak için her adımı izleyin.

ÖNEMLİ - DİKKATLE OKUYUN VE İLERİDE BAŞVURMAK ÜZERE SAKLAYIN

Kılavuzları indirmek ve daha heyecan verici Joie ürünlerine bakmak için joiebaby.com adresini ziyaret edin!

Garanti bilgileri için lütfen joiebaby.com adresindeki web sitemizi ziyaret edin.

İçindekiler

| | |
|---------------------------------------|------------|
| Şekiller | 1-16 |
| UYARI | 131 |
| Bebek Arabası Montajı | 133 |
| Bebek Arabasını Açma | 133 |
| Ön Teker Monte Etme ve Çıkarma | 133 |
| Arka Teker Monte Etme ve Çıkarma | 133 |
| Tenteyi Monte Etme | 133 |
| Bardak Tutucuyu Monte Etme ve Çıkarma | 133 |

| | |
|------------------------------------|------------|
| Bebek Arabasının Kullanımı | 134 |
| Arkalığı Ayarlama | 134 |
| Toka Kullanımı | 134 |
| Omuz ve Bel Kayışlarının Kullanımı | 135 |
| Kol Çubuğu Kullanımı | 135 |
| Baldır Desteğini Ayarlama | 135 |
| Ön Döndürme Kilidinin Kullanımı | 136 |
| Fren Kullanımı | 136 |
| Tente Kullanımı | 136 |
| Kulpu Ayarlama | 136 |
| Oturak Değişimi | 136 |
| Saklama Çantasının Kullanılması | 136 |
| Bebek Arabasını Katlama | 137 |
| Aksesuarların Kullanımı | 137 |

Tekstil Malzemeleri Ayırma ve Birleştirme 139

Temizlik ve Bakım 139

Acil durum

Acil durum veya kaza hâlinde, ilk yardım ve tıbbi tedavi yoluyla çocuğunuzla hemen ilgilenilmesini sağlamak çok önemlidir.

Ürün Bilgisi

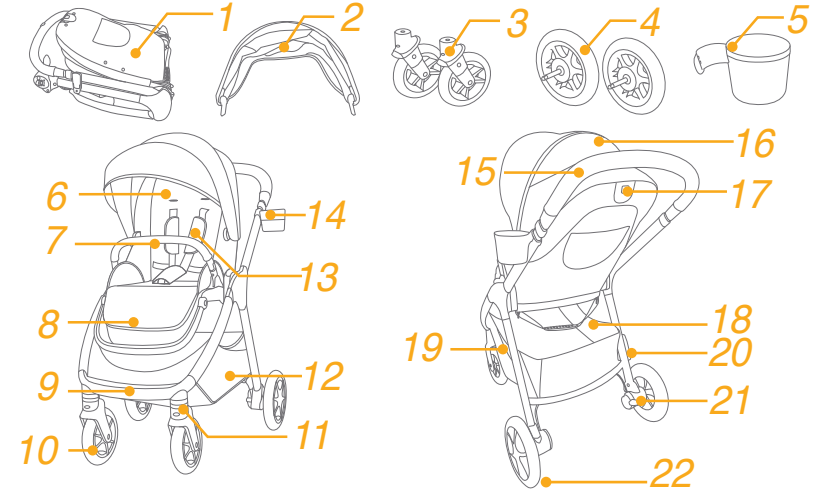
Bu ürünü kullanmadan önce bu kılavuzda verilen tüm talimatları okuyun. Sorularınız varsa lütfen satıcıyla iletişime geçin. Bazı özellikler modele bağlı olarak değişebilir.

| | |
|-------------|--|
| Ürün | Finiti Bebek Arabası |
| Uygunluk: | Bu ürün, doğumdan 22kg'a veya 4 yaşına kadar olan çocuklar için uygundur (hangisi önce gelirse). |
| Malzemeler | Plastik, metal, kumaş |
| Patent No. | Patentlerin başvurusu yapılmıştır |
| Üretim yeri | Çin |
| Marka | Joie |
| Web sitesi | www.joiebaby.com |
| Üretici | Allison GmbH |

Parça Listesi

Montajdan önce tüm parçaların mevcut olduğundan emin olun. Herhangi bir parça eksikse, lütfen yerel bayi ile iletişime geçin. Montaj için bir alet gerekmez.

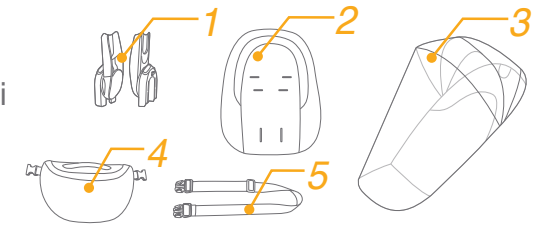
- | | | | |
|----|-------------------------|----|------------------|
| 1 | Bebek Arabası Çerçevesi | 12 | Depolama Sepeti |
| 2 | Tente | 13 | Omuz Kayışı |
| 3 | Ön Teker | 14 | Bardak tutucu |
| 4 | Arka Teker | 15 | Tutma Kolu |
| 5 | Bardak tutucu | 16 | Tente Penceresi |
| 6 | Koltuk Minderi | 17 | Yatırma Kolu |
| 7 | Kolçak | 18 | Saklama Çantası |
| 8 | Baldır Desteği | 19 | Saklama Çantası |
| 9 | Ayaklık | 20 | Depolama Mandalı |
| 10 | Ön Teker | 21 | Fren Kolu |
| 11 | Döndürme Kilidi | 22 | Arka Teker |



Aksesuarlar

(Dâhil olmayabilir)

- | | | | |
|---|---------------|---|---------|
| 1 | Adaptör | 2 | Eklenti |
| 3 | Yağmurluk | | |
| 4 | Depolama Cebi | | |
| 5 | Taşıma Kemer | | |



Aksesuarlar, bölgeye bağlı olarak ayrı satılabilir veya mevcut olmayabilir.

UYARI

- ! UYARI Çocuğunuzu yalnız bırakmayın.
- ! UYARI Kullanmadan önce tüm kilitleme donanımlarının etkinleştirildiğinden emin olun.
- ! UYARI Yaralanmayı önlemek için, bu ürünü açarken ve katlarken çocuğun uzakta olduğundan emin olun.
- ! UYARI Çocuğun bu ürünle oynamasına izin vermeyin.
- ! UYARI 22 kg veya 48 aya kadar olan çocuklar için uygundur.
- ! UYARI Mutlaka emniyet sistemi kullanın.
- ! UYARI Kullanmadan önce bebek arabası gövdesi, koltuk birimi veya araç koltuğu bağlantı mekanizmalarının doğru biçimde takıldığını kontrol edin.
- ! Bu ürün koşma veya paten yapma için uygun değildir.
- ! Bebek arabasını 22 kg'dan hafif bir çocukla kullanın. Uygun olmayan bir çocukta kullanmak bebek arabasına zarar verir.
- ! Doğumdan itibaren kullanılmak üzere tasarlanmış bebek arabasında, yeni doğan bebekler için en yatık pozisyonun kullanılması önerilir.
- ! Çocuğunuzu yerleştirirken ve kaldırırken park etme donanımı etkinleştirilmelidir.
- ! Tehlikeli ve dengesiz bir durumu önlemek için, saklama sepetine 4,5 kg'dan fazla ağırlık koymayın.
- ! Bardak tutucuda önerilen en fazla ağırlık 0,5 kg'dır.
- ! Bebek arabasını aynı anda yalnızca tek bir çocukla kullanın.
- ! Kulba, oturak arkılığına veya arabanın yanlarına eşyalarınızı takmayın. Ek yükler, arabanın dengesini etkileyecek ve devrilmesine neden olabilecektir.
- ! Kulpa, arkalığın sırt kısmına ve/veya bebek arabasının yan taraflarına takılan yükler bebek arabasının dengesini etkileyecektir.
- ! Üretici tarafından onaylanmamış aksesuarlar kullanılmamalıdır. Yalnızca üretici tarafından sağlanan veya önerilen yedek parçalar kullanılmalıdır.
- ! Bu araç, bir kızak düzeneğiyle birlikte kullanılan çocuk koltukları için bir karyola veya yatak yerine geçmez. Çocuğunuzun uyuması gerektiğinde, uygun bir çocuk arabası gövdesine, karyolaya veya yatağa yerleştirilmelidir.
- ! Boğulmayı önlemek için, bu ürünü kullanmadan önce plastik torbayı ve ambalaj malzemelerini çıkarın. Daha sonra plastik torba ve ambalaj malzemeleri bebeklerden ve çocuklardan uzak tutulmalıdır.

- ! Portatif karyola yalnızca yardımsız oturamayan, devrilen, elleri ve dizleri üzerinde kendini kaldıramayan çocuk için uygundur. En fazla ağırlık: 9 kg.
- ! Portatif karyolayla sağlanan dışındaki şilteleri kullanmayın veya yerleştirmeyin.
- ! Yetişkin montajı gereklidir.
- ! Lütfen ürünü kullanmadan önce kılavuzdaki tüm talimatları okuyun. İleride kullanmak için lütfen talimat kılavuzunu saklayın. Bu uyarılara ve talimatlara uyulmaması ciddi yaralanmalara veya ölüme neden olabilir.
- ! Düşme veya kayma nedeniyle oluşacak ciddi yaralanmaları önlemek için daima emniyet kemeri kullanın.
- ! Puseti ayarlarken çocuğunuzun vücudunun hareketli parçalardan uzak olduğundan emin olun.
- ! Bebek arabasını sabit ya da yürüyen merdivenlerde asla kullanmayın.
- ! Yüksek sıcaklıktaki nesnelere, sıvılardan ve elektronik cihazlardan uzak tutun.
- ! Bebek arabasını yollara, eğimli yerlere veya tehlikeli alanlara asla bırakmayın.
- ! Boğulmayı önlemek için, çocuğunuzun boynunun etrafında ipli nesnelere BULUNDURMAYIN, üründen ipler ASMAYIN veya oyuncaklara ip BAĞLAMAYIN.
- ! Depolama sepetini çocuk taşıma aracı olarak KULLANMAYIN.
- ! Parmak sıkışmasını önlemek için, bebek arabasını katlarken ve açarken dikkatli olun.
- ! Çocuğunuzun güvenliğini sağlamak için, bebek arabasını kullanmadan önce lütfen tüm parçaların doğru bir şekilde monte edildiğinden ve sabitlendiğinden emin olun.
- ! Boğulmayı önlemek için, çocuğunuzun gölgelikten uzak olduğundan emin olun.
- ! Bebek arabasını park ederken daima frenleri devreye alın.
- ! Hasar görürse veya kırılırsa bebek arabasını kullanmayı bırakın.
- ! Yanıkları önlemek için, bardak tutucuya asla sıcak sıvılar koymayın.
- ! Bu ürün, doğumdan 22kg'a veya 4 yaşına kadar olan çocuklar için uygundur (hangisi önce gelirse).

Bebek Arabası Montajı

(Lütfen 1 ilâ 16. sayfalardaki şekillere başvurun)

Lütfen bu ürünü monte etmeden ya da kullanmadan önce bu kılavuzdaki tüm talimatları okuyun.

Bebek Arabasını Açma

bkz. şekil ① - ④

Depolama mandalını depolama bağlantısından ayırın ① ve kulpu yukarı doğru kaldırın ②; tıklama sesi bebek arabasının tamamen açıldığını gösterir.

Koltuk tersine çevrilebilir. ④

! Kullanmaya devam etmeden önce, bebek arabasının mandalla tamamen kilitlendiğini kontrol edin.

Ön Teker Monte Etme ve Çıkarma

bkz. şekil ⑤ - ⑥

Arka Teker Monte Etme ve Çıkarma

bkz. şekil ⑦ - ⑧

Tenteyi Monte Etme

bkz. şekil ⑨ - ⑪

Bardak Tutucuyu Monte Etme ve Çıkarma

bkz. şekil ⑫ - ⑬

Tamamen monte edilen bebek arabası şu numaralı şekilde gösterilmektedir: ⑭

Bebek Arabasının Kullanımı

Arkalığı Ayarlama

bkz. şekil ⑮

Arkalık için 4 tane yatırma açısı vardır.

Arkalığı kaldırmak veya yatırmak için, koltuğun arkasındaki yatırma kulpunu döndürerek arkalığı aşağı çekin. ⑮

! Yatırma açısını ayarlarken, lütfen yatırma kolunun ortasındaki serbest bırakma düğmesine ⑮ - 3 basmayın.

! Yatırma açısının kullanıma uygun ayarlandığından emin olun.

! Arkalığın arkasındaki maksimum eşya saklama cebi 0,45 kg'dır.

Toka Kullanımı

bkz. şekil ⑯ - ⑰

Tokayı Serbest Bırakın

Düğmeye basın, toka otomatik olarak açılacaktır. ⑯

Tokayı Kilitleyin

Bel kemeri tokasını omuz tokasıyla eşleştirin ⑰ - 1 ve bunları orta toka ile hizalayın, toka otomatik olarak kilitlenebilir. ⑰ - 2 "Tıklama" sesi, tokanın tamamen kilitlendiği anlamına gelir.

⑰ - 3

! Düşme veya kayma sonucu oluşacak ciddi yaralanmaları önlemek için, çocuğunuzu her zaman kayışla sabitleyin.

! Çocuğunuzun güvenli biçimde sabitlendiğinden emin olun. Çocuk ve omuz kayışı arasındaki mesafe yaklaşık bir el kalınlığında olmalıdır.

! Omuz kemerlerini çaprazlamayın. Bu, çocuğun boynuna basınç uygular.

Omuz ve Bel Kayışlarının Kullanımı

bkz. şekil 18 - 23

! Çocuğunuzun düşmesini önlemek için, çocuğunuz oturağa yerleştirildikten sonra omuz ve bel kayışlarının doğru yükseklikte ve uzunlukta olup olmadığını kontrol edin.

18 - 1 Omuz kayışı tutturma noktası

18 - 2 Kayar ayarlayıcı

Daha büyük çocuk için, omuz kayışı tutturma noktası ve en yüksek omuz yuvalarını kullanın. Daha küçük çocuk için, omuz kayışı tutturma noktası ve en düşük omuz yuvalarını kullanın.

Omuz kayışı tutturma noktasının konumunu ayarlamak için, tutturma noktasını öne bakan tarafla aynı düzeyde olacak şekilde döndürün. Omuz kayışı yuvası boyunca arkadan öne doğru geçirin. 21 Çocuğunuzun omuz yüksekliğine en yakın olan delikten tekrar geçirin. 22

Kayış uzunluğunu değiştirmek için kayar ayarlayıcıyı kullanın.

23 - 1

23 - 2 Düğmeye basarken, bel kayışını uygun uzunluğa çekin.

23 - 3

Kol Çubuğu Kullanımı

bkz. şekil 24 - 26

Baldır Desteğini Ayarlama

bkz. şekil 27 - 28

Baldır desteği 2 konuma sahiptir.

Baldır desteğini alçaltmak için, baldır desteğinin her iki tarafındaki ayar düğmelerine basın 27 - 1 ve baldır desteğini aşağı doğru döndürün. 27 - 2

Baldır desteğini yükseltmek için yukarı doğru itin. "Tıklama" sesi, baldır desteğinin tamamen kilitletiği anlamına gelir.

Ön Döndürme Kilidinin Kullanımı

bkz. şekil 29

Yönlendirmek için döner kilidi sola, Serbest bırakmak için Sağa döndürün 29

İpucu Döndürme kilitlerinin düz olmayan yüzeylerde kullanılması önerilir.

Fren Kullanımı

bkz. şekil 30 - 31

Tekerleri kilitlemek için fren koluna ayağınızla basın. 30

Tekerleri serbest bırakmak için fren kolunu yukarı doğru kaldırmanız yeterlidir. 31

İpucu Bebek arabası kullanılmıyorken her zaman park frenine alın.

Tente Kullanımı

bkz. şekil 32 - 34

Tente, çocuğunuzu güneşten en iyi şekilde korumak için tamamen açılabilir; fermuarı açıp, 33 tenteyi öne doğru çekmeniz yeterlidir.

Kulpu Ayarlama

bkz. şekil 35

Oturak Değişimi

bkz. şekil 36 - 39

Saklama Çantasının Kullanılması

bkz. şekil 40

Sepetin her iki tarafındaki her bir saklama çantasının maksimum yükü 0,45 kg'dır.

Bebek Arabasını Katlama

bkz. şekil 41 - 49

- ! Yatırma kolunun ortasındaki düğme, oturağın katlanması için kullanılır. 42 - 1
- ! Katlanmış bebek arabası, tutamak en alt konumdayken ayakta durabilir. 46
- ! Depolama mandalı otomatik olarak depolama bağlantısına geçecek, ardından bebek arabası tamamen katlanıp kilitlenecektir. 46 49

Aksesuarların Kullanımı

Aksesuarlar, bölgeye bağlı olarak ayrı satılabilir veya mevcut olmayabilir.

Çocuk Koltuğuyla Kullanım

bkz. şekil 50 - 55

- iGemm 2 & iLevel & iSnug'u Joie çocuk koltuğuyla birlikte kullanırken lütfen aşağıdaki talimatlara başvurun.
- ! "Tıklama" sesi adaptörün tamamen kilitlendiği anlamına gelir.
 - ! Çocuk koltuğunu kullanma konusunda herhangi bir sorun yaşarsanız, lütfen ilgili talimat kılavuzlarına başvurun.
 - ! Bebek arabasını, çocuk koltuğu takılı durumdayken katlamayın.

Portatif Karyola Kullanımı

bkz. şekil 56 - 59

- Joie portatif xl karyolayı kullanırken lütfen aşağıdaki talimatlara başvurun.
- ! "Tıklama" sesi adaptörün tamamen kilitlendiği anlamına gelir.
 - ! Karyolayı kullanırken her zaman şilteyi de kullanın.

- ! Karyolayı kullanma konusunda herhangi bir sorun yaşarsanız, lütfen ilgili talimat kılavuzlarına başvurun.
- ! Karyolayı, çocuk koltuğu takılı durumdayken katlamayın.

Yağmurluk Kullanımı

bkz. şekil 60

- Yağmurluğu kurmak için, koltuğun üzerine yerleştirin.
- ! Yağmurluğu kullanırken lütfen her zaman havalandırmasını kontrol edin.
 - ! Kullanılmıyorken, lütfen katlamadan önce yağmurluğun temizlenmiş ve kurumuş olduğunu kontrol edin.
 - ! Yağmurluğu taktıktan sonra bebek arabasını katlamayın.
 - ! Sıcak havalarda, çocuğunuzu bebek arabasına yağmurluk takılı olarak oturtmayın.

Saklama Cebi Kullanımı

bkz. şekil 61 - 66

- Saklama cebine yerleştirilen yükün toplam ağırlığı 1 kilogramı aşmamalıdır.
- Saklama Cebi ayrı kullanmak için sepetten çıkarılabilir. 66

Eklenti Kullanımı

bkz. şekil 67 - 68

Tekstil Malzemeleri Ayırma ve Birleştirme

bkz. şekil 69 - 84

Kolçağı gösterildiği gibi çıkarın 26

Koltuğun tekstil malzemelerini geri takmak için yukarıdaki adımları ters yönde izleyin 84 - 69

Temizlik ve Bakım

bkz. şekil 85

- ! Bebek arabası çerçevesini temizlemek için yalnızca ev sabunu ve ılık su kullanın. Çamaşır suyu ya da deterjan kullanmayın. Bebek arabasının kumaş parçalarının temizliği konusunda yönergeler için lütfen bakım etiketine başvurun.
- ! Çıkarılabilir tekstil malzemeleri çamaşır makinesinde yıkanabilir. Çamaşır suyu kullanmayın. Koltuk kaplamasını ve iç pedi kurutmak amacıyla güç uygulayarak sıkmayın. Bu, koltuk kaplamasında ve iç altlıkta kırışıklıklara neden olabilir.
- ! Bebek arabanızı gevşeyen vidalar, eskimiş parçalar, yırtık malzeme ya da sökülmüş dikiş olup olmadığını tespit etmek için ara sıra kontrol edin. Parçaları gerektiğinde değiştirin veya onarın. Plastik parçaları düzenli olarak yumuşak, nemli bir bezle silerek temizleyin. Bebek arabası suyla temas ederse, pas oluşumunu önlemek için metal parçaları mutlaka kurulayın.
- ! Güneşe ya da ısıya uzun süre maruz kalması halinde parçaların rengi solabilir ya da biçimsel bozulmalar görülebilir.
- ! Bebek arabası ıslanırsa, tenteyi açın ve saklamadan önce iyice kurumasını bekleyin.
- ! Tekerler gıcırdarsa, hafif bir yağ (örneğin Silikon Sprey, paslanma önleyici yağ ya da dikiş makinesi yağı) kullanın. Yağı, aks ve teker donanımına uygulamak önemlidir. 85

- ! Bebek arabanızı plajda veya başka kumlu/tozlu ortamlarda kullanırken, mekanizmalar ve teker donanımlarındaki kumu ve tuzu gidermek için, bebek arabanızı kullanım sonrasında tamamen temizleyin.

NL Welkom bij Joie™

Gefeliciteerd dat u nu lid bent van de Joie-familie! Het doet ons veel genoegen om deel te kunnen uitmaken van uw reis met uw kleintje. Bij het reizen met de Joie Finiti™, gebruikt u een hoogwaardige, volledig gecertificeerde wandelwagen, goedgekeurd volgens de Europese veiligheidsnormen EN 1888-2:2018. Dit product is geschikt voor kinderen tot 22kg of 4 jaar, als dat zich eerder voordoet. Lees deze handleiding zorgvuldig en volg elke stap om voor een comfortabele rit en de beste bescherming van uw kind te zorgen.

BELANGRIJK - ZORGVULDIG LEZEN EN BEWAREN VOOR RAADPLEGING IN DE TOEKOMST.

Bezoek ons op joiebaby.com om handleidingen te downloaden en nog meer interessante producten van Joie te zien.

Bezoek voor informatie over de garantie onze website op joiebaby.com

Inhoud

| | |
|------------------------------------|------------|
| Afbeeldingen | 1-16 |
| WAARSCHUWING | 145 |
| Montage wandelwagen | 148 |
| Open wandelwagen | 148 |
| Voorwiel monteren en demonteren | 148 |
| Achterwiel monteren en demonteren | 148 |
| Kap monteren | 148 |
| Bekerhouder monteren en demonteren | 148 |

| | |
|--|------------|
| Gebruik wandelwagen | 149 |
| Rugsteun afstellen | 149 |
| Riem gebruiken | 149 |
| Schouder- en middelriemen gebruiken | 150 |
| Armsteun gebruiken | 150 |
| Kuitsteun aanpassen | 150 |
| Draaien voorwielen blokkeren | 151 |
| Remmen | 151 |
| Kap gebruiken | 151 |
| Handgreep afstellen | 151 |
| Zitje omdraaien | 151 |
| Opbergtas gebruiken | 151 |
| Wandelwagen opvouwen | 152 |
| Accessoires gebruiken | 152 |
| Zachte voorwerpen los- en vastmaken | 154 |
| Reiniging en onderhoud | 154 |

Noodgeval

Bij een noodsituatie of een ongeluk is het heel belangrijk om uw kind direct te laten verzorgen met eerste hulp en medische behandeling.

Productinformatie

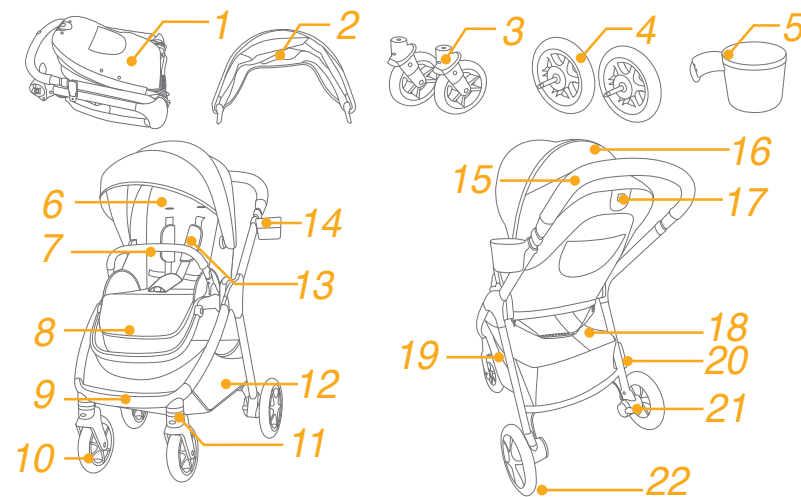
Lees alle aanwijzingen in deze handleiding voordat u het product gebruikt. Als u vragen hebt, kunt u contact opnemen met de verkoper. Sommige functies kunnen verschillen, afhankelijk van het model.

| | |
|----------------------|---|
| Product | Finiti-wandelwagen |
| Geschikt voor | Dit product is geschikt voor kinderen tot 22kg of 4 jaar, als dat zich eerder voordoet. |
| Materiaal | Kunststoffen, metaal, geweven stoffen |
| Patent nr. | Patent aangevraagd |
| Gemaakt in | China |
| Merksnaam | Joie |
| Website | www.joiebaby.com |
| Fabrikant | Allison GmbH |

Onderdelenlijst

Zorg dat alle onderdelen voor het opslaan droog zijn. Als er items ontbreken of beschadigd zijn, kunt u contact opnemen met uw leverancier. Voor de montage is geen gereedschap nodig.

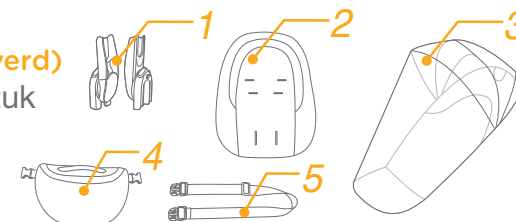
- | | |
|--------------------|-----------------------------|
| 1 Wandelwagenframe | 12 Opbergmand |
| 2 Kap | 13 Schouderriem |
| 3 Voorwiel | 14 Bekerhouder |
| 4 Achterwiel | 15 Handgreep |
| 5 Bekerhouder | 16 Raampje van de kap |
| 6 Zitkussen | 17 Instelhendel schuinstand |
| 7 Armsteun | 18 Opbergtas |
| 8 Kuitsteun | 19 Opbergtas |
| 9 Voetsteun | 20 Opberggrendel |
| 10 Voorwiel | 21 Remgreep |
| 11 Draaislot | 22 Achterwiel |



Accessoires

(Mogelijk niet meegeleverd)

- | | |
|-------------|-------------|
| 1 Adapter | 2 Inzetstuk |
| 3 Regenkap | |
| 4 Opbergzak | |
| 5 Draagriem | |



Accessoires kunnen al dan niet apart leverbaar zijn, afhankelijk van de regio.

WAARSCHUWING

- ! WAARSCHUWING Laat uw kind nooit zonder toezicht achter.
- ! WAARSCHUWING Controleer voor het gebruik of alle sluitingen goed vastzitten.
- ! WAARSCHUWING Om letsel te voorkomen, moet u het kind uit de buurt houden tijdens het open- of samenvouwen van dit product.
- ! WAARSCHUWING Laat uw kind niet met dit product spelen.
- ! WAARSCHUWING Geschikt voor kinderen van tot 22 kg of tot 48 maanden.
- ! WAARSCHUWING Gebruik altijd de veiligheidsriemen.
- ! WAARSCHUWING Controleer voor het gebruik of de bevestigingsmiddelen van het zitje of autozitje goed zijn vastgezet.
- ! Dit product is niet geschikt om mee te rennen of rolschaatsen.
- ! Gebruik de wandelwagen voor een kind dat minder dan 22kg weegt. Als het kind niet past, kan dit de wandelwagen beschadigen.
- ! Wandelwagen ontworpen voor gebruik vanaf de geboorte, gebruik de meest vlakke stand voor pasgeboren baby's.
- ! Bij het plaatsen en verwijderen van het kind moet de parkeerrem geactiveerd zijn.
- ! Om een gevaarlijke en instabiele conditie te vermijden, moet u niet meer dan 4,5 kg in de opbergmand plaatsen.
- ! Het aanbevolen maximale gewicht in de bekerhouder is 0,5 kg.
- ! Gebruik de wandelwagen met slechts één kind tegelijk.
- ! Bevestig geen items aan de handgreep, rugleuning of zijpanelen van de wandelwagen. Elke extra belasting is van invloed op de stabiliteit van de wandelwagen en zou kunnen leiden tot het omkantelen van de wandelwagen.
- ! Elke last bevestigd aan de greep of op de achterkant van de rugsteun of de zijpanelen van de wandelwagen beïnvloedt de stabiliteit van de wandelwagen.

- ! Gebruik geen toebehoren die niet door de fabrikant zijn goedgekeurd. Gebruik uitsluitend vervangende onderdelen die zijn geleverd of aanbevolen door de fabrikant.
- ! Voor kinderstoeltjes die gebruikt worden in combinatie met een chassis, vervangt dit voertuig geen draagwieg of bed. Als uw kind moet slapen, moet u het in een geschikte kinderwagen, wieg of bed leggen.
- ! Om verstikking te voorkomen, moet u de plastic zak en verpakkingsmaterialen verwijderen voordat u de stoel gebruikt. Houd de plastic zak en verpakkingsmaterialen buiten bereik van baby's en kinderen.
- ! De draagwieg is alleen geschikt voor een kind dat niet zonder hulp rechtop kan zitten, om kan rollen of zichzelf op handen en knieën opdrukken. Maximumgewicht van het kind: 9kg.
- ! GEEN ander matras gebruiken dan is meegeleverd met de draagwieg.
- ! Montage door volwassene vereist.
- ! Lees alle aanwijzingen in deze handleiding voordat u het product gebruikt. Bewaar de handleiding voor later gebruik. Niet-naleving van de waarschuwingen en de instructies kan ernstig letsel of de dood veroorzaken.
- ! Om ernstig letsel te vermijden door vallen of uit de wagen glijden, moet u altijd de riemen gebruiken.
- ! Zorg er voor dat het lichaam van uw kind geen bewegende onderdelen raakt bij het aanpassen van de wandelwagen.
- ! Gebruik de wandelwagen nooit op trappen of roltrappen.
- ! Uit de buurt houden van voorwerpen, vloeistoffen en elektronica met een hoge temperatuur.
- ! Plaats de wandelwagen nooit op wegen, hellingen of gevaarlijke gebieden.
- ! Om verstikking te voorkomen, moet u GEEN voorwerpen met een koord rond de hals van uw kind hangen, de koorden van dit product laten hangen of koorden aan speelgoed bevestigen.
- ! Gebruik de opbergmand NIET om een kind in te plaatsen.
- ! Om afgeklemd vingers te voorkomen, moet u opletten bij het in- en uitvouwen van de wandelwagen.

- ! Om voor de veiligheid van uw kind te zorgen, moet u ervoor zorgen dat alle onderdelen goed zijn gemonteerd en vastgezet voordat u de wandelwagen gebruikt.
- ! Om verstikking te voorkomen, moet u er voor zorgen dat uw kind niet door de kap wordt bedekt.
- ! Gebruik altijd de remmen bij het parkeren van de wandelwagen.
- ! Gebruik de wandelwagen niet meer als deze is beschadigd of kapot is.
- ! Om brandwonden te voorkomen, nooit hete vloeistoffen in de bekerhouder plaatsen.
- ! Dit product is geschikt voor kinderen tot 22kg of 4 jaar, als dat zich eerder voordoet.

Montage wandelwagen

(Raadpleeg de afbeeldingen op pagina 1-16)

Lees alle aanwijzingen in deze handleiding voordat u het product opzet en gebruikt.

Open kinderwagen

zie afbeeldingen ① - ④

Maak de opberggrendel los van de opbergbeugel ① en til de hendel omhoog ②, als u een klik hoort, betekent dit dat de wandelwagen volledig geopend is.

Het zitje is omkeerbaar. ④

! Controleer of de wagen goed vergrendeld is voordat u hem gebruikt.

Voorwiel monteren en demonteren

zie afbeeldingen ⑤ - ⑥

Achterwiel monteren en demonteren

zie afbeeldingen ⑦ - ⑧

Kap monteren

zie afbeeldingen ⑨ - ⑪

Bekerhouder monteren en demonteren

zie afbeeldingen ⑫ - ⑬

De volledig gemonteerde wandelwagen is afgebeeld als ⑭

Gebruik wandelwagen

Rugsteun afstellen

zie afbeelding 15

De rugsteun heeft 4 hoeken.

Draai om de rugleuning omhoog of naar achteren te brengen de greep op de achterkant van de zitting en trek de rugleuning omlaag. 15

- ! Druk niet op de ontgrendelknop 15 - 3 in het midden van de instelhendel schuinstand bij het aanpassen van de hoek voor de schuinstand.
- ! Controleer of de helling goed is ingesteld.
- ! De maximale belasting van de opbergzak op de achterkant van de rugleuning is 0,45kg.

Riem gebruiken

zie afbeeldingen 16 - 17

Maak de gesp los

Druk op de knop en de gesp wordt automatisch vrijgegeven.

16

Riem vastmaken

Verbind de gesp van de middelriem met de schouderriem 17 - 1, en lijn ze uit met de middengesp; de gesp kan automatisch vergrendelen. 17 - 2 Een klikkend geluid betekent dat de riem vergrendeld is. 17 - 3

- ! Om ernstig letsel te voorkomen door uit de stoel vallen of glijden, moet u uw kind altijd met de riemen vastzetten.
- ! Zorg er voor dat uw kind goed vast zit. De ruimte tussen het kind en de schouderriemen moet ongeveer de dikte van een hand zijn.
- ! De schouderriemen niet kruisen. Dat veroorzaakt druk op de nek van het kind.

Schouder- en middelriemen gebruiken

zie afbeeldingen 18 - 23

! Om te voorkomen dat uw kind uit de stoel valt, moet u controleren of de schouder- en middelriemen op de juiste hoogte en lengte zitten.

18 - 1 Schouderriemanker

18 - 2 Instelling

Gebruik voor een groter kind schouderriemanker en de hoogste schouderleuven. Gebruik voor een kleiner kind schouderriemanker en de laagste schouderleuven.

Om de positie van het schouderriemanker aan te passen, draait u het anker zodat het gelijk ligt met de kant die naar voren kijkt. Geleid deze van achter naar voor door de sleuf voor de schouderriem. 21 Steek hem vervolgens door de sleuf die het dichtste bij de schouderhoogte van het kind zit. 22

Gebruik de schuifregelaar om de lengte van de riemen in te stellen. 23 - 1

Druk op de knop 23 - 2, terwijl u de middelriem op de juiste lengte trekt. 23 - 3

Armsteun gebruiken

zie afbeeldingen 24 - 26

Kuitsteun aanpassen

zie afbeeldingen 27 - 28

De kuitsteun heeft 2 standen.

Druk op de instelknoppen aan weerszijden van de kuitsteun om de steun omlaag te brengen 27 - 1, en draai de steun omlaag. 27 - 2

Druk de kuitsteun omhoog om hem hoger te plaatsen. Een klikkend geluid betekent dat de riem vergrendeld is.

Draaien voorwielen blokkeren

zie afbeeldingen 29

Draai het draaislot naar links om te richten, draai het draaislot naar rechts om vrij te geven 29

Tip Aanbevolen wordt om de draaiblokkering op ongelijke oppervlakken te gebruiken.

Remmen

zie afbeeldingen 30 - 31

Trap de remhendel omlaag om de wielen te blokkeren. 30

Licht de remhendel op om de wielen vrij te geven. 31

Tip Zet de rem altijd vast als de wandelwagen moet stilstaan.

Kap gebruiken

zie afbeeldingen 32 - 34

De kap kan volledig worden geopend om uw kind zoveel mogelijk tegen de zon te beschermen; rits de rits 33 los en trek de kap naar voren.

Handgreep afstellen

zie afbeeldingen 35

Zitje omdraaien

zie afbeeldingen 36 - 39

Opbergtas gebruiken

zie afbeeldingen 40

De maximale belasting van elke opbergtas aan beide zijden van de mand is 0,45kg.

Wandelwagen opvouwen

zie afbeeldingen 41 - 49

! De knop in het midden van de instelhendel schuinstand wordt gebruikt voor het opvouwen van het zitje. 42 - 1

! De opgevouwen wandelwagen kan staan wanneer de handgreep in de laagste stand staat. 46

! De opberggrendel haakt automatisch vast aan de opbergbeugel en daarna is de wandelwagen volledig opgevouwen en vergrendeld. 46 49

Accessoires gebruiken

Accessoires kunnen al dan niet apart leverbaar zijn, afhankelijk van de regio.

Gebruik met kinderzitje

zie afbeeldingen 50 - 55

Raadpleeg de volgende instructies bij het gebruik van het Joie-kinderzitje iGemm 2 & iLevel & iSnug.

! Een klikkend geluid betekent dat de adapter vergrendeld is.

! Als u problemen ondervindt bij het gebruik van het babyzitje, raadpleeg dan de betreffende handleidingen.

! Vouw de wandelwagen niet op als het babyzitje nog bevestigd is.

Draagwieg gebruiken

zie afbeeldingen 56 - 59

Bij gebruik met Joie ramble xl-draagwieg moet u de volgende instructies raadplegen:

! Een klikkend geluid betekent dat de adapter vergrendeld is.

! Gebruik altijd het matras bij gebruik van de draagwieg.

- ! Als u problemen ondervindt bij het gebruik van de draagwieg, raadpleeg dan de betreffende handleidingen.
- ! Vouw de wandelwagen niet op als de draagwieg daarop bevestigd is.

Regenkap gebruiken

zie afbeeldingen 60

Plaats de regenkap over het zitje om deze te monteren.

- ! Controleer altijd op voldoende ventilatie als u de regenkap gebruikt.
- ! Controleer of de regenkap schoon en droog is voor u ze opvouwt.
- ! Vouw de wandelwagen niet op als de regenkap gemonteerd is.
- ! Zet uw kind niet bij warm in de wandelwagen als de regenkap gemonteerd is.

Opbergzak gebruiken

zie afbeeldingen 61 - 66

Totaal maximumgewicht van opbergzak mag niet groter zijn dan 1kg.

De opbergzak kan worden verwijderd uit de mand om apart te gebruiken. 66

Inzetstuk gebruiken

zie afbeeldingen 67 - 68

Zachte voorwerpen los- en vastmaken

zie afbeeldingen 69 - 84

Verwijder de armsteun als afgebeeld 26

Om de zachte goederen weer te bevestigen, gaat u in omgekeerde volgorde te werk 84 - 69

Reiniging en onderhoud

zie afbeeldingen 85

- ! Gebruik voor het schoonmaken van het frame alleen zeep en warm water. Geen bleekmiddel of schoonmaakmiddelen. Raadpleeg het verzorgingslabel voor instructies betreffende reiniging van de stoffen onderdelen van de wandelwagen.
- ! Verwijderbare zachte goederen kunnen in de machine worden gewassen. Geen bleekmiddel. De zachte voorwerpen en binnenvoering niet uitwringen om ze te drogen. Daardoor kunnen de stoelbedekking en binnenvoering kreukelen.
- ! Controleer de wandelwagen van tijd tot tijd op losse schroeven, slijtage, scheuren en beschadigde naden. Vervang of herstel de onderdelen als dat nodig is. Veeg de plastic onderdelen periodiek schoon met een zachte vochtige doek. Droog de metalen onderdelen om de vorming van roest te voorkomen als de wandelwagen in contact is geweest met water.
- ! Overmatige blootstelling aan zon of warmte kan vervagen of vervormen van onderdelen veroorzaken.
- ! Als de wandelwagen nat is geworden, moet u de kap openen en hem laten drogen voordat u hem opbergt.
- ! Als de wieltjes piepen, moet u dunne olie gebruiken (bijvoorbeeld siliconenspray, antiroest-olie of naaimachine-olie). De olie moet in de as en het wielstel komen. 85

! Als u de wandelwagen op het strand gebruikt, moet u hem goed schoonmaken na het gebruik om alle zand en zout van het mechanisme en de wielen te verwijderen.

PL Witamy w Joie™

Gratulujemy zostania członkiem rodziny Joie! Bardzo się cieszymy z możliwości wspólnego podróżowania z Państwa dzieckiem. Podczas podróży z Joie Finiti™, używasz wysokiej jakości, wyposażonego w komplet certyfikatów wózka dziecięcego, zgodnego z Europejskimi standardami bezpieczeństwa EN 1888-2:2018. Ten produkt jest przeznaczony dla dzieci o wadze do 22kg lub w wieku do 4 lat, zależnie od tego co nastąpi wcześniej. Prosimy o uważne przeczytanie tego podręcznika i wykonanie każdej czynności, aby zapewnić wygodną jazdę i najlepsze zabezpieczenie dziecka.

WAŻNE - DOKŁADNIE PRZECZYTAJ I ZACHOWAJ DO PRZYSZŁEGO WYKORZYSTANIA.

Odwiedź nas pod adresem joiebaby.com w celu pobrania podręczników i sprawdzenia, innych ekscytujących produktów Joie!

W celu uzyskania informacji o gwarancji, należy odwiedzić naszą stronę internetową, pod adresem joiebaby.com

Spis treści

| | |
|---|------------|
| Rysunki | 1-16 |
| OSTRZEŻENIE | 161 |
| Montaż wózka dziecięcego | 164 |
| Rozkładanie wózka dziecięcego | 164 |
| Montaż i demontaż kół przednich | 164 |
| Montaż i demontaż kółek tylnych | 164 |
| Montaż daszka | 164 |
| Montaż i demontaż uchwytu na pojemnik z napojem | 164 |

| | |
|---|------------|
| Działanie wózka dziecięcego | 165 |
| Regulacja oparcia na plecy | 165 |
| Korzystanie ze sprzączki | 165 |
| Używanie uprząży na barki i talię | 166 |
| Korzystanie z wspornika ramion | 166 |
| Regulacja podparcia łydek | 166 |
| Korzystanie z przedniej blokady obrotu | 167 |
| Korzystanie z hamulca | 167 |
| Korzystanie z daszka | 167 |
| Regulacja uchwytu | 167 |
| Zmiana kierunku ustawienia siedziska | 167 |
| Korzystanie z torby do przechowywania | 167 |
| Składanie wózka | 168 |
| Używanie akcesoriów | 168 |
| Odłączanie i montaż miękkich elementów | 170 |
| Czyszczenie i konserwacja | 170 |

Sytuacja zagrożenia

W sytuacji zagrożenia lub po wypadku, najważniejsze jest, aby udzielić dziecku pierwszej pomocy i jak najszybciej poddać je leczeniu medycznemu.

Informacje o produkcji

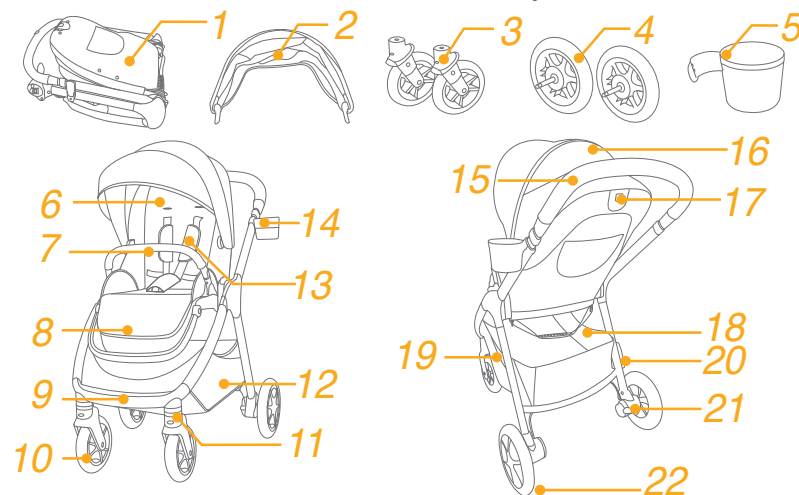
Przed rozpoczęciem używania tego produktu, należy przeczytać wszystkie instrukcje z tego podręcznika. W przypadku jakichkolwiek dalszych pytań, należy się skonsultować ze sprzedawcą. Niektóre funkcje zależą od modelu.

| | |
|--------------------|---|
| Produkt | Wózek Finiti |
| Odpowiedni dla | Ten produkt jest przeznaczony dla dzieci o wadze do 22kg lub w wieku do 4 lat, zależnie od tego co nastąpi wcześniej. |
| Materiały | Tworzywa sztuczne, metal, tkaniny |
| Nr patentu | W trakcie patentowania |
| Wyprodukowano w | Chinach |
| Nazwa marki | Joie |
| Strona internetowa | www.joiebaby.com |
| Producent | Allison GmbH |

Lista części

Upewnij się, że posiadasz wszystkie części zanim rozpoczniesz proces montażu. Jeśli którejś z części brakuje, należy się skontaktować z lokalnym sprzedawcą. Montaż nie wymaga użycia żadnych dodatkowych narzędzi.

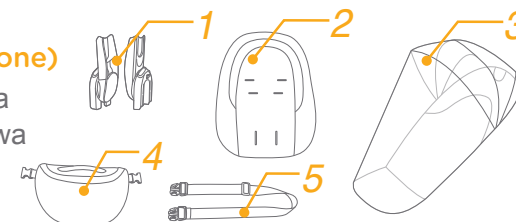
- | | |
|--------------------------------|---------------------------------|
| 1 Rama wózka | 12 Koszyk transportowy |
| 2 Daszek | 13 Uprząż na ramiona |
| 3 Koło przednie | 14 Uchwyt na pojemnik z napojem |
| 4 Koło tylne | 15 Uchwyt |
| 5 Uchwyt na pojemnik z napojem | 16 Okno daszka |
| 6 Poduszka fotelika | 17 Uchwyt regulacji nachylenia |
| 7 Pałak | 18 Torba do przechowywania |
| 8 Podparcie łydek | 19 Torba do przechowywania |
| 9 Podnózek | 20 Zapadka przechowywania |
| 10 Koło przednie | 21 Dźwignia hamulca |
| 11 Blokada obrotu | 22 Koło tylne |



Akcesoria

(Mogą nie być dostarczone)

- | | |
|---------------------------|-----------|
| 1 Adapter | 2 Wkładka |
| 3 Osłona przeciwdeszczowa | |
| 4 Kieszon transportowa | |
| 5 Pas do przenoszenia | |



Akcesoria mogą być sprzedawane oddzielnie lub w zależności od regionu, mogą nie być dostępne.

OSTRZEŻENIE

- ! OSTRZEŻENIE Nigdy nie należy zostawiać dziecka bez nadzoru.
- ! OSTRZEŻENIE Przed użyciem należy się upewnić, że działają wszystkie urządzenia blokujące.
- ! OSTRZEŻENIE Aby uniknąć obrażeń podczas składania i rozkładania tego produktu należy się upewnić, że dziecko znajduje się dalej.
- ! OSTRZEŻENIE Nie należy pozwalać dziecku na zabawę z tym produktem.
- ! OSTRZEŻENIE Odpowiedni dla dzieci o wadze do 22kg lub wieku do 48 miesięcy.
- ! OSTRZEŻENIE Należy zawsze używać systemem przytrzymującym.
- ! OSTRZEŻENIE Przed użyciem upewnić się, czy urządzenia mocujące korpus wózka, część z siedzeniem lub fotelik samochodowy są prawidłowo zamocowane.
- ! Ten produkt nie jest odpowiedni do biegania lub jazdy na wrotkach.
- ! Wózek dziecięcy można używać dla dziecka o wadze poniżej 22kg. Nieodpowiednia waga dziecka może spowodować uszkodzenie wózka.
- ! Wózek dziecięcy przeznaczony dla dzieci od urodzenia, dla noworodków powinien być używany w najbardziej nachylonej pozycji.
- ! Podczas wkładania i wyjmowania dzieci należy uruchomić urządzenie parkingowe.
- ! Aby zapobiec niebezpiecznym sytuacjom, niestabilności, w koszu nie należy umieszczać więcej niż 4,5kg bagażu.
- ! Maksymalny, zalecany udźwig uchwytu na pojemnik z napojem, to 1 funt (0,5kg).
- ! W wózku dziecięcym może znajdować się jednocześnie tylko jedno dziecko.
- ! Nie mocować przedmiotów od uchwytu, oparcia siedzenia lub boków wózka. Każde dodatkowe obciążenie będzie mieć wpływ na stabilność wózka i może spowodować wywrócenie wózka.

- ! Każdy ładunek przymocowany do uchwytu i/lub z tyłu oparcia i/lub na bokach wózka będzie wpływać na stabilność wózka.
- ! Nie należy używać akcesoriów niezatwierdzonych przez producenta. Używać należy wyłącznie części zamiennych dostarczonych lub zalecanych przez producenta.
- ! Systemy przytrzymujących dla niemowląt, używane w połączeniu z podstawą w pojeździe, nie zastąpią łóżeczka dziecięcego lub łóżka. Gdy dziecko chce spać, należy je umieścić w odpowiednim wózku dziecięcym, łóżeczku dziecięcym lub na łóżku.
- ! Aby uniknąć uduszenia, przed użyciem tego produktu należy usunąć plastikowy worek i materiały pakujące. Plastikowy worek i materiały pakujące należy trzymać z dala od niemowląt i dzieci.
- ! Gondola nadaje się wyłącznie dla dziecka, które nie może usiąść bez pomocy, wywraca się i nie może raczkować na własnych rękach i kolanach. Maksymalna masa dziecka: 9 kg
- ! NIE WOLNO używać ani dodawać żadnego materaca innego niż dostarczony wraz z gondolą.
- ! Wymagany jest montaż przez osobę dorosłą.
- ! Przed użyciem tego produktu, należy przeczytać wszystkie instrukcje z tego podręcznika. Ten podręcznik należy zachować do przyszłego użycia. Niestosowanie się do tych ostrzeżeń i instrukcji, może spowodować poważne obrażenia lub śmierć.
- ! Aby uniknąć poważnych obrażeń w wyniku upadku lub zsunięcia, należy używać pasa bezpieczeństwa.
- ! Podczas regulacji wózka dziecięcego należy się upewnić, że na ciele dziecka nie ma ruchomych części.
- ! Nigdy nie należy używać wózka dziecięcego na schodach lub w windach.
- ! Należy unikać obiektów o wysokich temperaturach, płynów i elektroniki.
- ! Wózka dziecięcego nigdy nie należy ustawiać na drogach, stokach lub w niebezpiecznych miejscach.

- ! Aby uniknąć uduszenia, NIE wolno umieszczać na szyi dziecka elementów ze sznurkiem, pozostawiać wiszących sznurków na tym produkcie lub wiązać sznurków do zabawek.
- ! NIE należy używać kosza do przewożenia dziecka.
- ! Aby uniknąć uchwycenia palców, podczas składania i rozkładania wózka dziecięcego należy zachować ostrożność.
- ! Aby zapewnić bezpieczeństwo dziecka, przed użyciem wózka dziecięcego należy się upewnić, że wszystkie części zostały złożone i przymocowane prawidłowo.
- ! Aby uniknąć uduszenia, należy się upewnić, że dziecko znajduje się dalej od daszka.
- ! Podczas parkowania wózka dziecięcego należy zawsze uruchamiać hamulce.
- ! Należy przerwać używanie wózka jeśli zostanie on uszkodzony lub pęknięty.
- ! Aby uniknąć poparzeń, nigdy nie należy umieszczać gorących płynów w uchwycie na pojemnik z napojem.
- ! Ten produkt jest przeznaczony dla dzieci o wadze do 22kg lub w wieku do 4 lat, zależnie od tego co nastąpi wcześniej.

Montaż wózka dziecięcego

(Patrz rysunki na stronach 1-16)

Przed montażem i rozpoczęciem używania tego produktu, należy przeczytać wszystkie instrukcje z tego podręcznika.

Rozkładanie wózka dziecięcego

Patrz rysunki ① - ④

Oddziel zatrzask kosza od elementu montażowego kosza ①, a następnie unieś uchwyt do góry ②, dźwięk kliknięcia oznacza, że wózek jest całkowicie otwarty.

Fotelik jest dwustronny. ④

! Przed kontynuowaniem używania należy sprawdzić, czy wózek dziecięcy jest całkowicie zatrzaśnięty.

Montaż i odłączanie kół przednich

Patrz rysunki ⑤ - ⑥

Montaż i odłączanie kół tylnych

Patrz rysunki ⑦ - ⑧

Montaż daszka

Patrz rysunki ⑨ - ⑪

Montaż i demontaż uchwytu na pojemnik z napojem

Patrz rysunki ⑫ - ⑬

Całkowicie zmontowany wózek jest pokazany jako ⑭

Działanie wózka dziecięcego

Regulacja oparcia na plecy

Patrz rysunek 15

4 kąty nachylenia oparcia pleców.

Aby podnieść lub nachylić oparcie pleców, obrócić uchwyt nachylania z tyłu siedzenia, nacisnąć w dół oparcie pleców. 15

! Nie należy naciskać przycisku zwalniania 15 - 3 na środku uchwytu nachylania podczas regulacji kąta nachylenia.

! Upewnij się, że nachylenie jest ustawione prawidłowo do używania.

! Maksymalny udźwig kieszeni transportowej na oparciu pleców wynosi 0,45kg.

Korzystanie ze sprzączki

Patrz rysunki 16 - 17

Zwolnienie sprzączki

Naciśnij przycisk, po czym nastąpi automatyczne zwolnienie sprzączki. 16

Sprzączka blokady

Dopasuj sprzączkę pasa biodrowego do sprzączki pasa na ramiona 17 - 1 i dopasuj je do sprzączki centralnej, sprzączka zatrzaśnie się automatycznie. 17 - 2 "Kliknięcie" oznacza, że sprzączka została całkowicie zatrzaśnięta. 17 - 3

! Aby uniknąć poważnych obrażeń w wyniku upadku lub zsunęcia, należy zawsze zabezpieczyć dziecko uprzężą.

! Należy się upewnić, że dziecko jest dobrze zabezpieczone. Odległość pomiędzy dzieckiem a uprzężą na ramiona powinna wynosić około grubości jednej dłoni.

! Nie należy krzyżować pasów na ramiona. Może to spowodować nacisk na kark dziecka.

Używanie uprząży na barki i talię

Patrz rysunki 18 - 23

! Aby zabezpieczyć dziecko przed upadkiem, po umieszczeniu dziecka na siedzeniu, należy sprawdzić, czy uprzęż na ramiona i na talię jest założona na właściwej wysokości i, czy ma odpowiednią długość.

18 - 1 Kotwa uprząży na ramiona

18 - 2 Regulator przesuwu

Dla większego dziecka, należy użyć kotwę uprząży i najwyższe szczeliny uprząży na ramiona. W przypadku mniejszego dziecka należy użyć kotwę uprząży i najniższe szczeliny uprząży na ramiona.

Aby wyregulować pozycję kotwy uprząży na ramiona, obróć kotwę w celu wypoziomowania ze stroną skierowaną do przodu. Przełóż ją przez szczelinę uprząży na ramiona, od tyłu do przodu. 21 Przełóż ponownie przez szczelinę najbliższą wysokości ramion dziecka. 22

Użyj regulatora przesuwu do zmiany długości uprząży. 23 - 1

Naciśnij przycisk 23 - 2, wyciągając jednocześnie uprzęż na pas na prawidłową długość. 23 - 3

Korzystanie z wspornika ramion

Patrz rysunki 24 - 26

Regulacja podparcia łydek

Patrz rysunki 27 - 28

Oparcie łydek ma 2 pozycje.

W celu obniżenia podparcia łydek, naciśnij przyciski regulacji z obu stron podparcia łydek 27 - 1 i obróć podparcie łydek w dół. 27 - 2

Aby unieść oparcie łydek, naciśnij je do góry. Dźwięk "kliknięcia" oznacza, że oparcie łydek jest całkowicie zablokowane.

Korzystanie z przedniej blokady obrotu

patrz rysunki 29

Obróć blokadę obrotu w lewo w celu ukierunkowania, obróć blokadę obrotu w prawo w celu zwolnienia 29

Wskazówka Zaleca się używanie blokady obrotu na nierównych powierzchniach.

Korzystanie z hamulca

Patrz rysunki 30 - 31

Aby zablokować koła, opuść w dół dźwignię hamulca. 30

Aby zwolnić koła, podnieś dźwignię hamulca do góry. 31

Wskazówka Zawsze, kiedy wózek stoi hamulec powinien być zablokowany.

Korzystanie z daszka

patrz rysunki 32 - 34

Daszek można otworzyć całkowicie, aby zabezpieczyć dziecko przed nadmiernym słońcem, wystarczy otworzyć zamek suwakiem 33, a następnie pociągnąć daszek do przodu.

Regulacja uchwytu

patrz rysunki 35

Zmiana kierunku ustawienia siedziska

patrz rysunki 36 - 39

Korzystanie z torby do przechowywania

patrz rysunki 40

Maksymalny udźwig kieszeni transportowej z obu stron kosza wynosi 0,45kg.

Składanie wózek

patrz rysunki 41 - 49

! Przycisk na środku uchwytu nachylania służy do składania siedzenia. 42 - 1

! Składany wózek może stać, gdy uchwyt znajduje się w najniższej pozycji. 46

! Zatrząsk kosza automatycznie zaczepi się za element do montażu kosza, po czym wózek dziecięcy złoży się i zostanie całkowicie zablokowany. 46 49

Używanie akcesoriów

Akcesoria mogą być sprzedawane oddzielnie lub w zależności od regionu, mogą nie być dostępne.

Używanie z systemem przytrzymującym dla niemowląt

patrz rysunki 50 - 55

Podczas używania z systemem przytrzymującym dla niemowląt iGem 2 i iLevel oraz iSnug należy stosować się do poniższych instrukcji.

! Dźwięk „kliknięcia” oznacza, że adapter jest całkowicie zablokowany.

! W przypadku problemów dotyczących używania systemów przytrzymujących dla niemowląt, należy sprawdzić ich podręczniki.

! Nie należy składać wózka dziecięcego, gdy system przytrzymujący dla niemowląt jest nadal zamontowany.

Używanie gondoli

patrz rysunki 56 - 59

Podczas używania z gondolą Joie ramble xl należy stosować się do poniższych instrukcji.

- ! Dźwięk „kliknięcia” oznacza, że adapter jest całkowicie zablokowany.
- ! Podczas korzystania z gondolą należy zawsze używać materac.
- ! W przypadku problemów dotyczących używania gondoli, należy sprawdzić jej instrukcję.
- ! Nie należy składać wózka, gdy jest zamontowana gondola.

Używanie osłony przeciwdeszczowej

patrz rysunki 60

W celu zamontowania osłony przeciwdeszczowej należy umieścić ją nad siedzeniem.

- ! W przypadku korzystania z osłony przeciwdeszczowej należy zawsze pamiętać o sprawdzeniu wentylacji.
- ! Jeżeli osłona przeciwdeszczowa nie jest wykorzystywana należy pamiętać o jej wyczyszczeniu i wysuszeniu przed złożeniem.
- ! Nie wolno składać wózka z założoną osłoną przeciwdeszczową.
- ! W przypadku upalnej pogody nie wolno wkładać dziecka do wózka z założoną osłoną przeciwdeszczową.

Używanie kieszeni transportowej

patrz rysunki 61 - 66

Nie wolno przekraczać maksymalnego udźwigu kieszeni transportowej 1kg

Kieszeń transportową można wyjąć z kosza w celu oddzielnego użycia. 66

Używanie wkładki

patrz rysunki 67 - 68

Odlaczanie i montaż miękkich elementów

patrz rysunki 69 - 84

Usunąć wspornik ramion, jak pokazano na rysunku 26

Aby ponownie zamontować miękkie elementy siedzenia, wykonaj podane wyżej czynności w kolejności odwrotnej 84 - 69

Czyszczenie i konserwacja

patrz rysunki 85

- ! Do czyszczenia ramy wózka wolno stosować jedynie mydło domowe i ciepłą wodę. Nie wolno stosować środków wybielających ani detergentów. Instrukcja czyszczenia części wózka wykonanych z tkaniny znajduje się na etykiecie dotyczącej konserwacji.
- ! Wyjmowane miękkie elementy można prać w pralce. Nie wolno stosować środków wybielających. Nie należy skręcać z wielką siłą pokrowca siedzenia i obicia wewnętrznego w celu wysuszenia. Może to spowodować zagniecenia na pokrowcu siedzenia i na obiciu wewnętrznym.
- ! Od czasu do czasu sprawdzić, czy w wózku nie ma poluzowanych wkrętów, zużytych części, rozdartego materiału lub szwów. Naprawić lub wymienić części w razie potrzeby. Okresowo przecierać elementy z tworzywa sztucznego miękką wilgotną ściereczką. Jeżeli doszło do kontaktu wózka z wodą, zawsze należy wysuszyć części metalowe, celem zapobieżenia tworzeniu się rdzy.
- ! Nadmierna ekspozycja na słońce lub ciepło może spowodować fałdowanie lub wyginanie się części.
- ! Jeżeli wózek ulegnie zamoczeniu, otworzyć daszek i wysuszyć go dokładnie przed dalszym przechowywaniem.

! Jeżeli kółka skrzypią użyć delikatnego oleju (np. aerozolu silikonowego, środka przeciwrdzewnego lub oleju do maszyn do szycia). Ważne jest wprowadzenie oleju między oś a koło.

85

! W przypadku korzystania z wózka na plaży lub w innych zapiaszczonych/zapyłonych środowiskach, dokładnie oczyścić wózek po użyciu, w celu usunięcia piasku i soli z mechanizmów oraz zespołów kół.

CZ Vítá vás značka Joie™

Blahopřejeme vám - stali jste se členy rodiny Joie! Jsme nadšení, že můžeme doprovázet vaše děťátko na cestě. Při cestování s kočárkem Joie Finiti™ používáte kvalitní, plně certifikovaný kočárek schválený evropskými bezpečnostními normami EN 1888-2:2018. Tento produkt je vhodný pro děti do 22 kg nebo do 4 let (podle toho, co nastane dříve). Pozorně si přečtěte tento návod. Jeho dodržováním zajistíte pohodlnou jízdu a maximální ochranu svého dítěte.

DŮLEŽITÉ - POZORNĚ SI PŘEČTĚTE TENTO NÁVOD A USCHOVEJTE JEJ PRO BUDOUCÍ POUŽITÍ.

Pro stažení návodů a více podrobností o vzrušujících výrobcích Joie nás navštivte na joiebaby.com!

Informace o záruce najdete na našem webu joiebaby.com

Obsah

| | |
|-----------------------------------|------------|
| Obrázky | 1-16 |
| VAROVÁNÍ | 177 |
| Sestavení kočárku | 180 |
| Otevřený kočárek | 180 |
| Montáž a sejmutí předního kolečka | 180 |
| Montáž a sejmutí zadního kolečka | 180 |
| Montáž stříšky | 180 |
| Montáž a sejmutí držáku na nápoje | 180 |

| | |
|---|------------|
| Používání kočárku | 181 |
| Úprava opěráku | 181 |
| Použití spony | 181 |
| Použití ramenního postroje a postroje do pasu | 182 |
| Použití opěrky rukou | 182 |
| Úprava opěrky nohou | 182 |
| Použití zámku natáčení předních koleček | 183 |
| Použití brzdy | 183 |
| Použití stříšky | 183 |
| Úprava držadla | 183 |
| Otočení sedačky | 183 |
| Použití úložné tašky | 183 |
| Rozložení kočárku | 184 |
| Použití příslušenství | 184 |
| Sejmutí a montáž látkových částí | 186 |
| Čištění a údržba | 186 |

Stav nouze

V případě ohrožení nebo úrazu je nejdůležitější poskytnout vašemu dítěti okamžité ošetření a následnou lékařskou pomoc.

Informace o produktu

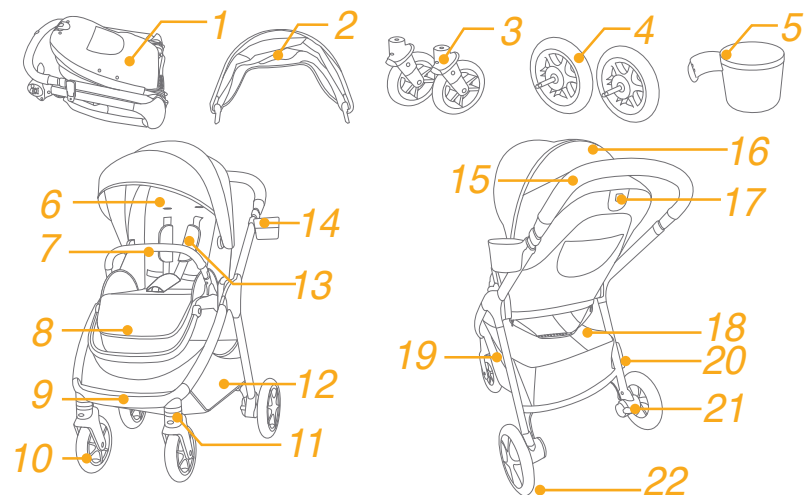
Před použitím výrobku si přečtěte všechny pokyny v tomto návodu. Máte-li další dotazy, kontaktujte prosím prodejce. Některé funkce se mohou lišit v závislosti na modelu.

| | |
|-----------------------|---|
| Produkt | Kočárek Finiti |
| Vhodné pro | Tento produkt je vhodný pro děti do 22 kg nebo do 4 let (podle toho, co nastane dříve). |
| Materiály | Plasty, kov, textilie |
| Č. patentu | Čeká na udělení patentu |
| Vyrobeno v | Čína |
| Značka | Joie |
| Webová stránka | www.joiebaby.com |
| Výrobce | Allison GmbH |

Seznam dílů

Před sestavením se ujistěte, že nechybí žádné součásti. V případě, že některá součást chybí, kontaktujte prodejce. K sestavení nejsou zapotřebí žádné nástroje.

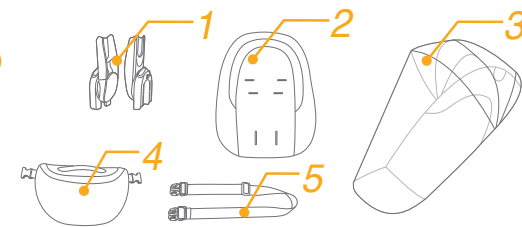
- | | | | |
|----|------------------------|----|-------------------|
| 1 | Rám kočárku | 12 | Úložný košík |
| 2 | Stříška | 13 | Ramenní postroj |
| 3 | Přední kolečko | 14 | Držák na nápoje |
| 4 | Zadní kolečko | 15 | Rukojeť |
| 5 | Držák na nápoje | 16 | Okénko ve stříšce |
| 6 | Vložka sedačky | 17 | Rukojeť náklonu |
| 7 | Opěrka rukou | 18 | Úložná taška |
| 8 | Operka nohou | 19 | Úložná taška |
| 9 | Opěrka chodidel | 20 | Úložná západka |
| 10 | Přední kolečko | 21 | Páčka brzdy |
| 11 | Zámek natáčení koleček | 22 | Zadní kolečko |



Příslušenství

(Nemusí být součástí)

- | | | | |
|---|----------------------|---|--------|
| 1 | Adaptér | 2 | Vložka |
| 3 | Pláštěnka | | |
| 4 | Úložná kapsa | | |
| 5 | Popruh pro přenášení | | |



Příslušenství se může prodávat zvlášť nebo nemusí být k dispozici v závislosti na regionu.

VAROVÁNÍ

- ! VAROVÁNÍ Svě dítě v žádném případě neponechávejte bez dozoru.
- ! VAROVÁNÍ Před použitím zkontrolujte, zda jsou všechny pojistky aktivovány.
- ! VAROVÁNÍ Rozkládání a skládání tohoto výrobku provádějte v bezpečné vzdálenosti od dítěte, aby se zabránilo zranění.
- ! VAROVÁNÍ Zabraňte svému dítěti, aby si s tímto výrobkem hrálo.
- ! VAROVÁNÍ Vhodné pro děti o hmotnosti do 22 kg nebo do 48 měsíců věku.
- ! VAROVÁNÍ Vždy používejte zádržný systém.
- ! VAROVÁNÍ Před použitím zkontrolujte, zda jsou správně zajištěny upevňovací prvky korbičky, sedátka nebo autosedačky.
- ! Tento výrobek není vhodný pro běhání nebo bruslení.
- ! Tento kočárek používejte pouze s dítětem o hmotnosti do 22kg. Při převážení nepřipoutaného dítěte dojde k poškození kočárku.
- ! Tento kočárek je určen pro používání od narození. Pro novorozence doporučujeme používat největší sklon.
- ! Při vkládání nebo vyjímání dětí musí být aktivováno parkovací zařízení.
- ! Aby se zabránilo nebezpečné a nestabilní situaci, neumísťujte do úložného košíku více než 4,5 kg.
- ! Maximální doporučená nosnost v držáku na nápoje je 1 lb (0,5 kg).
- ! Na tomto kočárku převázejte pouze jedno dítě najednou.
- ! Nepřipevňujte žádné předměty k držadlu, sedátku ani boční strany kočárku. Jakákoli další zátěž ovlivní stabilitu kočárku a mohlo by dojít k naklonění kočárku.
- ! Jakákoli zátěž připevněná na držadlo a/nebo na zadní stranu opěráku a/nebo na boční strany vozidla sníží jeho stabilitu.
- ! Je zakázáno používat příslušenství, které nebylo schváleno výrobcem. Je dovoleno používat pouze náhradní díly, které byly dodány nebo doporučeny výrobcem.

- ! Používáte-li zádržný systém pro novorozence v kombinaci s podvozkem, toto vozidlo nenahrazuje postýlku ani lůžko. Když vaše dítě potřebuje spát, uložte jej do vhodné hluboké korby, postýlky nebo na vhodné lůžko.
- ! Před používáním tohoto výrobku odstraňte igelitový sáček a obalové materiály, aby se zabránilo udušení. Igelitový sáček a obalové materiály je třeba uchovávat mimo dosah novorozenců a dětí.
- ! Toto hluboké lůžko je vhodné pouze pro dítě, které nedokáže sedět bez pomoci, nedokáže se přetočit a nedokáže se samo zvednout na ruku a kolenu. Maximální hmotnost dítěte: 9 kg.
- ! NEPOUŽÍVEJTE ani nepřidávejte jinou matraci, než byla dodána s tímto hlubokým lůžkem.
- ! Sestavení smí provést pouze dospělá osoba.
- ! Před použitím tohoto výrobku si přečtěte všechny pokyny v tomto návodu. Uchovejte si tento návod pro budoucí použití. Nedodržení těchto výstrah a pokynů může vést k vážnému poranění nebo smrti.
- ! Aby se zabránilo pádu nebo vyklouznutí a vážnému zranění, vždy používejte bezpečnostní pás.
- ! Při nastavování kočárku zajistěte, aby se vaše dítě nacházelo mimo dosah pohyblivých částí.
- ! V žádném případě nepoužívejte tento kočárek na schodech nebo eskalátorech.
- ! Uchovávejte mimo dosah předmětů o vysoké teplotě, kapalin a elektroniky.
- ! V žádném případě neumísťujte kočárek na silnice, svahy nebo nebezpečná místa.
- ! Aby se zabránilo uškrcení, NEUMÍSŤUJTE předměty s provázky okolo krku dítěte, nezavěšujte provázky z tohoto výrobku ani nepřivazujte provázky k hračkám.
- ! NEVOZTE dítě v úložném košíku.
- ! Aby se zabránilo skřípnutí prstů, postupujte při rozkládání a skládání kočárku opatrně.
- ! Aby byla zajištěna bezpečnost vašeho dítěte, před použitím kočárku zkontrolujte, zda jsou všechny díly řádně sestaveny a zajištěny.

- ! Aby se zabránilo uškrzení, zajistěte, aby vaše dítě bylo mimo dosah stříšky.
- ! Při parkování kočárku vždy použijte brzdy.
- ! Pokud je kočárek poškozený nebo rozbitý, přestaňte jej používat.
- ! Abyste zabránili popáleninám, nikdy neumísťujte do držáku na nápoje horké tekutiny.
- ! Tento produkt je vhodný pro děti do 22 kg nebo do 4 let (podle toho, co nastane dříve).

Sestavení kočárku

(Řiďte se prosím obrázky na straně 1-16)

Před montáží a použitím tohoto výrobku si přečtěte všechny pokyny v tomto návodu.

Otevřený kočárek

viz obrázky ① - ④

Oddělte úložnou západku od úložného držáku ① a potom zvedněte rukojeť nahoru ②. Jakmile se ozve cvaknutí, kočárek je zcela složený.

Sedátko lze otočit. ④

! Než budete pokračovat, zkontrolujte, zda je kočárek zcela zajištěný západkami

Montáž a sejmutí předního kolečka

viz obrázky ⑤ - ⑥

Montáž a sejmutí zadního kolečka

viz obrázky ⑦ - ⑧

Montáž stříšky

viz obrázky ⑨ - ⑪

Montáž a sejmutí držáku na nápoje

viz obrázky ⑫ - ⑬

Zcela sestavený kočárek je zobrazen na obrázku ⑭

Používání kočárku

Úprava opěráku

viz obrázek 15

K dispozici jsou 4 polohy sklonu opěráku.

Chcete-li zvednout nebo sklopit opěrák, otočte rukojeť náklonu na zadní straně sedačky a zatlačte na opěrák směrem dolů. 15

! Prosím nestiskněte uvolňovací tlačítko 15 - 3 uprostřed rukojeti náklonu během úpravy úhlu náklonu.

! Ujistěte se, že náklon je řádně nastaven pro použití.

! Maximální zatížení úložné kapsy na zadní straně opěráku je 0,45 kg.

Použití spony

viz obrázky 16 - 17

Uvolnění spony

Stisknutím tlačítka se spona automaticky rozepne. 16

Zámek spony

Srovnejte sponu bederního pásu se sponou ramenního pásu 17 - 1 a zarovnejte je se středovou sponou. Spona se může zajistit automaticky. 17 - 2 Jakmile se ozve „cvaknutí“, znamená to, že spona je zcela zajištěná. 17 - 3

! Aby se zabránilo pádu nebo vyklouznutí a vážnému zranění, vždy zajistěte své dítě postrojem.

! Ujistěte se, že dítě je pohodlně zajištěno. Mezi dítětem a ramenním postrojem musí být prostor přibližně na tloušťku jedné ruky.

! Nekřížte ramenní pásy. Tím se vytváří tlak na krk dítěte.

Použití ramenního postroje a postroje do pasu

viz obrázky 18 - 23

! Abyste vaše dítě ochránili před vypadnutím, po usazení dítěte do sedačky zkontrolujte, zda jsou ramenní a bederní postroj ve správné výšce a délce.

18 - 1 Kotva ramenního postroje

18 - 2 Posuvný regulátor

Pro větší dítě použijte kotvu ramenního postroje a nejvyšší ramenní sloty. Pro menší dítě použijte kotvu ramenního postroje a nejnižší ramenní sloty.

Pro úpravu pozice kotvy ramenního postroje otočte kotvu tak, aby byla v rovině s boční stranou směřující dopředu.

Protáhněte ji slotem ramenního postroje zezadu dopředu. 21
Znovu ji protáhněte slotem, který je nejbližší výšce ramene dítěte. 22

Pro změnu délky postroje použijte posuvný regulátor. 23 - 1

Stiskněte tlačítko 23 - 2 a zároveň vytáhněte bederní postroj na správnou délku. 23 - 3

Použití opěrky rukou

viz obrázky 24 - 26

Úprava opěrky nohou

viz obrázky 27 - 28

Opěrka nohou má 2 polohy.

Pro snížení opěrky nohou stiskněte nastavovací tlačítka na obou stranách opěrky nohou 27 - 1 a otočte opěrku nohou směrem dolů. 27 - 2

Pro zvednutí opěrky nohou ji zatlačte směrem nahoru. Jakmile se ozve „cvaknutí“, znamená to, že opěrka je zcela zajištěná.

Použití zámku natáčení předních koleček

viz obrázky 29

Otočením zámku natáčení vlevo zorientujte, Otočením zámku natáčení vpravo uvolněte 29

Tip Na nerovném povrchu doporučujeme zablokovat natáčení koleček.

Použití brzdy

viz obrázky 30 - 31

Pro zajištění koleček stlačte páčku brzdy směrem dolů. 30

Pro uvolnění koleček stačí zvednout páčku brzdy směrem nahoru. 31

Tip Když zastavíte, vždy použijte parkovací brzdou.

Použití stříšky

viz obrázky 32 - 34

Stříšku lze zcela otevřít pro extrémní ochranu vašeho dítěte před sluncem, stačí rozepnout zip 33 a stáhnout stříšku dopředu.

Úprava držadla

viz obrázky 35

Otočení sedačky

viz obrázky 36 - 39

Použití úložné tašky

viz obrázky 40

Maximální zatížení každé úložné tašky na obou stranách košíku je 0,45 kg.

Rozložení kočárku

viz obrázky 41 - 49

! Tlačítko uprostřed rukojeti náklonu se používá k rozložení sedačky. 42 - 1

! Rozložený kočárek může stát, když je držadlo v nejnižší poloze. 46

! Když je kočárek zcela rozložen a zajištěn, úložná západka se automaticky zahákne do úložného úchyty. 46 49

Použití příslušenství

Příslušenství se může prodávat zvlášť nebo nemusí být k dispozici v závislosti na regionu.

Používání s dětskou autosedačkou

viz obrázky 50 - 55

Při použití s dětskou autosedačkou Joie iGemm 2, iLevel a iSnug si prosím přečtěte následující pokyny.

! Jakmile se ozve „cvaknutí“, znamená to, že adaptér je zcela zajištěný.

! Máte-li problémy s použitím dětské autosedačky, přečtěte si prosím jeho vlastní pokyny k použití.

! Nerozkládejte kočárek s nasazenou dětskou autosedačkou.

Použití korby

viz obrázky 56 - 59

Při použití korby Joie ramble xl si prosím přečtěte následující pokyny.

! Jakmile se ozve „cvaknutí“, znamená to, že adaptér je zcela zajištěný.

! S korbou používejte vždy matraci.

! Máte-li problémy s použitím hlubokého lůžka, přečtěte si prosím jeho vlastní pokyny k použití.

! Nerozkládejte kočárek s nasazenou korbou.

Použití pláštěnky

viz obrázek 60

Pláštěnku nasadíte přes sedačku.

! Při použití pláštěnky prosím vždy zkontrolujte její ventilaci.

! Před rozložením vždy zkontrolujte, zda byla pláštěnka očištěna a je suchá.

! Nerozkládejte kočárek s nasazenou pláštěnkou.

! V horkém počasí neumísťujte dítě do kočárku s nasazenou pláštěnkou.

Použití úložné kapsy

viz obrázky 61 - 66

Maximální hmotnost úložné kapsy nesmí přesáhnout 1 kg.

Úložnou kapsu lze vyjmout z košíku a používat samostatně. 66

Použití vložky

viz obrázky 67 - 68

Sejmutí a montáž látkových částí

viz obrázky 69 - 84

Odstraňte opěrku rukou, jak je znázorněno na 26

Při nasazování látkových částí sedačky provádějte výše uvedené kroky v opačném pořadí 84 - 69

Čištění a údržba

viz obrázky 85

! K čištění rámu kočárku použijte pouze běžné mýdlo a teplou vodu. Nepoužívejte bělidlo ani detergent. Pokyny pro čištění textilních částí kočárku najdete na štítku s pokyny pro péči a údržbu.

! Snímatelné látkové části lze prát v pračce. Nebělit. Potah sedačky ani vnitřní polstrování neždímejte pro rychlejší schnutí. Mohlo by to na potahu sedačky nebo na vnitřním polstrování zanechat záhyby.

! Pravidelně kontrolujte stav opotřebení součástí a případné uvolněné šrouby, pothání materiálu nebo švů výrobku. Poškozené součásti podle potřeby vyměňte nebo opravte. Pravidelně čistěte plastové části měkkým vlhkým hadříkem. Kovové části vždy osušte, abyste zabránili tvorbě rzi, pokud kočárek přišel do kontaktu s vodou.

! Nadměrné vystavení slunci nebo teple může způsobit blednutí nebo deformování dílů.

! Pokud kočárek navlhne, otevřete stříšku a před uložením ho nechte důkladně oschnout.

! Pokud kolečka skřípají, použijte lehký olej (např. silikonový sprej, antikorozi oleje nebo olej na šicí stroje). Je důležité namazat olejem nápravu koleček. 85

! Při použití kočárku na pláži nebo v jiném písčitém/prášném prostředí kočárek po použití zcela vyčistěte, abyste odstranili písek a sůl z mechanismů a nápravy koleček.

SK Vitajte v rodine Joie™

Blahoželáme k tomu, že ste sa stali súčasťou rodiny Joie! Sme nadšení, že sme súčasťou vašej cesty s vašim dieťaťom. Pri cestovaní s Joie Finiti™ používate kvalitný, plne certifikovaný kočík, schválený podľa európskych bezpečnostných noriem STN EN 1888-2:2018. Tento výrobok je vhodný pre deti od narodenia do 22 kg alebo 4 rokov, podľa toho, čo nastane skôr. Pozorne si prečítajte túto príručku a dodržiavajte všetky kroky na zabezpečenie pohodlnej jazdy a čo najlepšej ochrany svojho dieťaťa.

DÔLEŽITÉ - POZORNE SI PREČÍTAJTE A UCHOVAJTE PRE NESKORŠIE POUŽITIE.

Navštívte nás na joiebaby.com, kde si môžete stiahnuť manuály a pozrieť ďalšie zaujímavé výrobky spoločnosti Joie!

Informácie o záruke nájdete na našej webovej stránke joiebaby.com

Obsah

| | |
|---|------------|
| Obrázky | 1 - 16 |
| VÝSTRAHA | 191 |
| Zostavenie kočíka | 194 |
| Rozloženie kočíka | 194 |
| Zostavenie a odpojenie predného kolesa | 194 |
| Zostavenie a odpojenie zadného kolesa | 194 |
| Zostavenie plátennej striešky | 194 |
| Zostavenie a odpojenie držiaka na pohár | 194 |

| | |
|--|------------|
| Prevádzka kočíka | 195 |
| Nastavenie operadla | 195 |
| Použitie spony | 195 |
| Použitie ramenných a bedrových popruhov | 196 |
| Použitie držadla | 196 |
| Nastavenie lýtkovej opierky | 196 |
| Použitie predného zámku otáčania | 197 |
| Použitie brzdy | 197 |
| Použitie plátennej striešky | 197 |
| Nastavenie rukoväte | 197 |
| Zmena orientácie sedačky | 197 |
| Použitie odkladacieho vrečka | 197 |
| Zloženie kočíka | 198 |
| Použitie príslušenstva | 198 |
| Odpojenie a zostavenie mäkkých textílií | 200 |
| Čistenie a údržba | 200 |

Núdzová situácia

V prípade mimoriadnej udalosti alebo nehody je najdôležitejšie, aby bolo o vaše dieťa ihneď postarané v rámci prvej pomoci a lekárskeho ošetrovania.

Informácie o výrobku

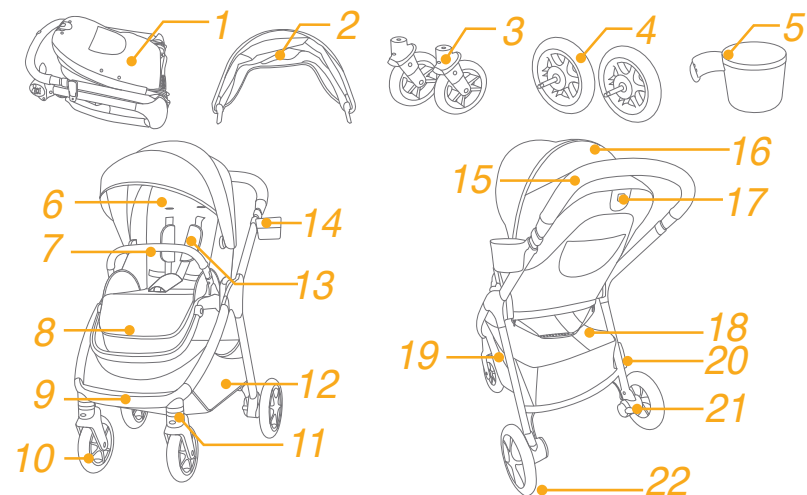
Pred používaním tohto výrobku si prečítajte všetky pokyny, ktoré sú v tejto príručke uvedené. V prípade akýchkoľvek ďalších otázok sa obráťte na predajcu. Niektoré funkcie sa môžu líšiť v závislosti od modelu.

| | |
|----------------|--|
| Výrobok | Kočík Finiti |
| Vhodné pre | Tento výrobok je vhodný pre deti od narodenia do 22 kg alebo 4 rokov, podľa toho, čo nastane skôr. |
| Materiály | Plast, kov, textil |
| Patent č. | Patentová prihláška sa prerokúva |
| Vyrobené v | Číne |
| Názov značky | Joie |
| Webová stránka | www.joiebaby.com |
| Výrobca | Allison GmbH |

Zoznam jednotlivých častí

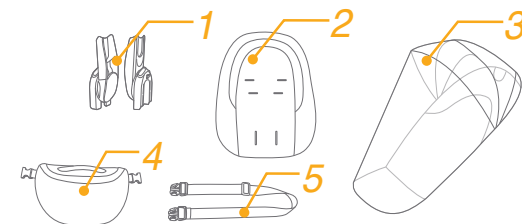
Pred zostavením skontrolujte, či máte všetky časti. Ak chýba ktorákoľvek časť, obráťte sa na miestneho predajcu. Na zostavenie nie sú potrebné žiadne nástroje.

- | | | | |
|----|-------------------|----|----------------------------|
| 1 | Rám kočíka | 12 | Úložný košík |
| 2 | Plátenná strieška | 13 | Ramenné popruhy |
| 3 | Predné koleso | 14 | Držiak na pohár |
| 4 | Zadné koleso | 15 | Rukoväť |
| 5 | Držiak na pohár | 16 | Otvor plátennej striešky |
| 6 | Čalúnenie sedačky | 17 | Rukoväť sklonu |
| 7 | Držadlo | 18 | Odkladacie vrečko |
| 8 | Lýtková opierka | 19 | Odkladacie vrečko |
| 9 | Nožná opierka | 20 | Západka úložného priestoru |
| 10 | Predné koleso | 21 | Brzdová páčka |
| 11 | Zámok otáčania | 22 | Zadné koleso |



Príslušenstvo (nemusí byť zahrnuté)

- | | | | |
|---|-------------------|---|--------|
| 1 | Adaptér | 2 | Vložka |
| 3 | Kryt proti dažďu | | |
| 4 | Odkladacie vrečko | | |
| 5 | Pás na nesenie | | |



Príslušenstvo sa môže predávať samostatne alebo nemusí byť k dispozícii v závislosti od oblasti.

VÝSTRAHA

- ! VÝSTRAHA Nikdy nenechajte dieťa bez dozoru.
- ! VÝSTRAHA Pred použitím skontrolujte, či sú zapojené všetky zaisťovacie zariadenia.
- ! VÝSTRAHA Aby ste sa vyhli poraneniu, uistite sa, že je dieťa pri rozkladaní a skladaní tohto výrobku v bezpečnej vzdialenosti.
- ! VÝSTRAHA Nenechávajte dieťa hrať sa s týmto výrobkom.
- ! VÝSTRAHA! Vhodný pre deti do 22 kg alebo do 48 mesiacov.
- ! VÝSTRAHA Vždy používajte zadržiavací systém.
- ! VÝSTRAHA Pred použitím skontrolujte, či sú teleso kočíka alebo jednotka sedačky, alebo upevňovacie prvky autosedačky správne zaistené.
- ! Tento výrobok nie je vhodný na behanie alebo korčuľovanie.
- ! Kočík používajte s dieťaťom, ktoré váži menej ako 22kg. S nevhodným dieťaťom dôjde k poškodeniu kočíka.
- ! Kočík je navrhnutý na používanie od narodenia a pre novo narodené deti sa odporúča používanie úplne sklopenej polohy.
- ! Pri vkladaní a vyberaní detí sa musí aktivovať parkovacie zariadenie.
- ! Aby ste predišli nebezpečným a nestabilným podmienkam, do úložného košíka neumiestňujte veci s hmotnosťou viac ako 4,5kg.
- ! Maximálna odporúčaná hmotnosť v držiaku na pohár je 0,5 kg (1 libra).
- ! Kočík používajte naraz len pre jedno dieťa.
- ! Na rukoväť, operadlo sedadla ani boky kočíka nepripevňujte žiadne predmety. Akékoľvek dodatočné zaťaženie ovplyvní stabilitu kočíka a môže spôsobiť prevrátenie kočíka.
- ! Akékoľvek zaťaženie pôsobiace na rukoväť a/alebo zadnú stranu operadla a/alebo na boky kočíka ovplyvní stabilitu kočíka.
- ! Príslušenstvo, ktoré nie je schválené výrobcom, sa nesmie používať. Musia sa používať len náhradné diely dodávané alebo odporúčané výrobcom.

- ! Pre dojčenské detské autosedačky používané v spojení s rámom platí, že toto vozidlo nenahrádza postieľku ani posteľ. Ak vaše dieťa potrebuje spať, malo by sa umiestniť do vhodného telesa kočíka, postieľky alebo posteľe.
- ! Aby ste predišli uduseniu, pred použitím tohto výrobku odstráňte plastové vrečko a obalové materiály. Plastové vrečko a obalové materiály sa potom musia uchovávať mimo dosahu detí.
- ! Prenosná postieľka je vhodná len pre dieťa, ktoré nemôže sedieť bez pomoci, prevrátiť sa a nemôže sa vytlačiť na ruky a kolená. Maximálna hmotnosť dieťaťa: 9kg.
- ! NEPOUŽÍVAJTE ani nepridávajte žiadny iný matrac ako ten, ktorý sa dodáva s prenosnou postieľkou.
- ! Montáž musia vykonať dospelé osoby.
- ! Pred používaním tohto výrobku si prečítajte všetky pokyny, ktoré sú v príručke uvedené. Tento návod na použitie uložte pre budúce použitie. Nedodržanie týchto výstrah a pokynov môže viesť k vážnemu poraneniu alebo smrti.
- ! Aby nedošlo k vážnemu zraneniu v dôsledku vypadnutia či vyklznutia, vždy používajte bezpečnostný pás.
- ! Pri nastavovaní kočíka sa uistite, že je telo dieťaťa mimo pohyblivých častí.
- ! Nikdy nepoužívajte kočík na schodoch ani eskalátoroch.
- ! Udržiavajte mimo objektov s vysokou teplotou, tekutín a elektroniky.
- ! Nikdy nenechávajte kočík na cestách, svahoch alebo v nebezpečných oblastiach.
- ! Aby sa zabránilo uškrteniu, okolo krku dieťaťa NEUMIESTŇUJTE predmety so šnúrkami, šnúrky nenechajte visieť z tohto výrobku ani ich neuväzujte k hračkám.
- ! NEPOUŽÍVAJTE úložný košík ako nosič na dieťa.
- ! Aby nedošlo k zachyteniu prstov, pri skladaní a rozkladaní kočíka buďte opatrní.
- ! Aby ste zaistili bezpečnosť dieťaťa, pred používaním kočíka skontrolujte, či sú všetky diely riadne zostavené a dotiahnuté.

- ! Aby sa zabránilo uškrteniu, uistite sa, že je dieťa mimo textilnej striešky.
- ! Pri parkovaní kočíka vždy zatiahnite parkovaciu brzdu.
- ! Prestaňte používať kočík, ak je poškodený alebo porušený.
- ! Aby ste predišli popáleninám, nikdy nekladajte do držiaka na poháre horúce tekutiny.
- ! Tento výrobok je vhodný pre deti od narodenia do 22 kg alebo 4 rokov, podľa toho, čo nastane skôr.

Zostavenie kočíka

(Pozrite si obrázky na strane 1 - 16)

Pred zostavením a používaním tohto výrobku si prečítajte všetky pokyny, ktoré sú v tejto príručke uvedené.

Rozloženie kočíka

pozrite si obrázky ① - ④

Oddelíte západku úložného priestoru od držiaka úložného priestoru ① a potom zdvihnete rukoväť ②, zvuk „cvaknutia“ znamená, že je kočík úplne rozložený.

Sedačka je otočná. ④

! Pred pokračovaním v používaní skontrolujte, či sú západky na kočíku úplne zaistené.

Zostavenie a odpojenie predného kolesa

pozrite si obrázky ⑤ - ⑥

Zostavenie a odpojenie zadného kolesa

pozrite si obrázky ⑦ - ⑧

Zostavenie plátennej striešky

pozrite si obrázky ⑨ - ⑪

Zostavenie a odpojenie držiaka na pohár

pozrite si obrázky ⑫ - ⑬

Úplne zostavený kočík je zobrazený na obrázku ⑭

Prevádzka kočíka

Nastavenie operadla

pozrite si obrázok 15

Operadlo má 4 uhly sklonu.

Ak chcete zdvihnúť alebo skloniť operadlo, otočte rukoväť sklonu na zadnej časti sedačky a potiahnite operadlo nadol. 15

! Pri nastavovaní uhlu sklonu nestlačte uvoľňovacie tlačidlo 15 - 3 v strede rukoväte sklonu.

! Skontrolujte, či je sklon nastavený správne pre používanie.

! Maximálne zaťaženie odkladacieho vrečka na zadnej strane operadla je 0,45 kg.

Použitie spony

pozrite si obrázky 16 - 17

Rozopnutie spony

Stlačte tlačidlo, spona sa uvoľní automaticky. 16

Zaistenie spony

Zrovnajte sponu bedrového pásu s ramennou sponou 17 - 1 a zarovnajte ich so strednou sponou, spona sa dokáže zaistiť automaticky. 17 - 2 Zvuk „cvaknutia“ znamená, že je spona úplne zaistená. 17 - 3

! Aby ste predišli vážnemu poraneniu v dôsledku pádu alebo vyklznutia, vždy zaistite dieťa pomocou popruhov.

! Skontrolujte, či je dieťa pohodlne zaistené. Medzera medzi dieťaťom a ramennými popruhmi je široká asi na hrúbku jednej ruky.

! Neprekrížte ramenné pásy. Spôsobí to tlak na krk dieťaťa.

Použitie ramenných a bedrových popruhov

pozrite si obrázky 18 - 23

! Aby bolo vaše dieťa chránené pred vypadnutím, po umiestnení dieťaťa do sedadla skontrolujte, či sú ramenné a bedrové popruhy v správnej výške a či majú správnu dĺžku.

18 - 1 Kotva ramenného popruhu

18 - 2 Posuvný nastavovací prvok

Pri väčšom dieťati použite kotvu ramenného popruhu a najvyššie ramenné otvory. Pri menšom dieťati použite kotvu ramenného popruhu a najnižšie ramenné otvory.

Ak chcete upraviť polohu kotvy ramenného popruhu, otočte kotvu tak, aby bola v rovine so stranou smerujúcou dopredu. Prevlečte ju cez otvor ramenného popruhu zozadu dopredu. 21 Znova ju prevlečte cez otvor, ktorý je najbližšie k výške ramena dieťaťa. 22

Na zmenu dĺžky popruhov použite posuvný nastavovací prvok. 23 - 1

Stlačte tlačidlo 23 - 2 a zároveň potiahnite bedrové popruhy na správnu dĺžku. 23 - 3

Použitie držadla

pozrite si obrázky 24 - 26

Nastavenie lýtkovej opierky

pozrite si obrázky 27 - 28

Lýtková opierka má 2 polohy.

Ak chcete lýtkovú opierku znížiť, stlačte nastavovacie tlačidlá na oboch stranách lýtkovej opierky 27 - 1, a otočte lýtkovú opierku smerom nadol. 27 - 2

Ak chcete lýtkovú opierku zvýšiť, zatlačte ju dohora. Zvuk „cvaknutia“ znamená, že je lýtková opierka úplne zaistená.

Použitie predného zámku otáčania

pozrite si obrázky 29

Otočením zámku otáčania doľava zaistíte orientáciu, otočením zámku otáčania doprava ho uvoľníte 29

Tip Na nerovných povrchoch sa odporúča použitie zámku otáčania.

Použitie brzdy

pozrite si obrázky 30 - 31

Stúpením na brzdovú páčku v smere nadol zablokujete kolesá. 30

Ak chcete kolesá uvoľniť, zdvihnite brzdovú páčku dohora. 31

Tip Vždy, keď sa kočík nepohybuje, zatiahnite brzdovú páčku.

Použitie plátennej striešky

pozrite si obrázky 32 - 34

Plátennú striešku možno úplne rozložiť, aby čo najviac chránila dieťa pred slnkom, stačí rozopnúť zips 33 a potom vytiahnuť plátennú striešku smerom dopredu.

Nastavenie rukoväte

pozrite si obrázky 35

Prestavenie sedačky

pozrite si obrázky 36 - 39

Použitie odkladacieho vrečka

pozrite si obrázky 40

Maximálne zaťaženie každého odkladacieho vrečka na oboch stranách košíka je 0,45 kg.

Zloženie kočíka

pozrite si obrázky 41 - 49

! Tlačidlo v strede rukoväte sklonu sa používa na zloženie sedačky. 42 - 1

! Zložený kočík môže stáť, keď je rukoväť v najnižšej polohe. 46

! Západka úložného priestoru sa automaticky zachytí o držiak úložného priestoru a potom bude kočík zložený a úplne zaistený. 46 49

Použitie príslušenstva

Príslušenstvo sa môže predávať samostatne alebo nemusí byť k dispozícii v závislosti od oblasti.

Použitie s dojčenskou detskou autosedačkou

pozrite si obrázky 50 - 55

Pri použití s dojčenskou detskou autosedačkou iGem 2, iLevel a iSnug si pozrite nasledujúce pokyny.

! Zvuk „cvaknutia“ znamená, že je adaptér úplne zaistený.

! Pri akýchkoľvek problémoch s používaním dojčenskej detskej autosedačky si pozrite jej návod na použitie.

! Neskladajte kočík so stále pripevnenou dojčenskou detskou autosedačkou.

Použitie prenosnej postielky

pozrite si obrázky 56 - 59

Pri použití s prenosnou postielkou Joie ramble xl si pozrite nasledujúce pokyny.

! Zvuk „cvaknutia“ znamená, že je adaptér úplne zaistený.

! Pri používaní prenosnej postielky vždy používajte matrac.

- ! Pri akýchkoľvek problémoch s používaním prenosnej postieľky si pozrite jej návod na použitie.
- ! Neskladajte kočík so stále pripevnenou prenosnou postieľkou.

Použitie krytu proti dažďu

pozrite si obrázky 60

Ak chcete zostaviť kryt proti dažďu, umiestnite ho nad sedačku.

- ! Pri používaní krytu proti dažďu vždy skontrolujte vetranie.
- ! Keď sa nepoužíva, pred zložením skontrolujte, či je kryt proti dažďu vyčistený a vysušený.
- ! Neskladajte kočík po namontovaní krytu proti dažďu.
- ! V horúcom počasí nedávajte svoje dieťa do kočíka s namontovaným krytom proti dažďu.

Použitie odkladacieho vrečka

pozrite si obrázky 61 - 66

Celková maximálna hmotnosť odkladacieho vrečka nesmie prekročiť 1 kg.

Odkladacie vrečko je možné vybrať z košíka a použiť samostatne. 66

Použitie vložky

pozrite si obrázky 67 - 68

Odpojenie a zostavenie mäkkých textílií

pozrite si obrázky 69 - 84

Odmontovanie držadla je zobrazené ako 26

Ak chcete znova zostaviť mäkké textílie, postupujte podľa vyššie uvedených krokov v opačnom poradí 84 - 69

Čistenie a údržba

pozrite si obrázky 85

- ! Na čistenie rámu kočíka používajte len domáce mydlo a teplú vodu. Žiadne bielidlo ani čistiaci prostriedok. Pokyny na čistenie textilných častí kočíka nájdete na štítku s návodom na ošetrovanie.
- ! Odnímateľné mäkké textílie možno prať v práčke. Nepoužívajte bielidlo. Neskrúčajte kryt sedačky ani vnútorné čalúnenie veľkou silou, aby ste ich vysušili. Mohlo by to na potahu sedačky a čalúnení zanechať zvrásnenie.
- ! Občas skontrolujte, či na kočíku nie sú povolené skrutki, opotrebované súčasti, roztrhnutý alebo rozpáraný materiál. Tieto súčasti vymeňte alebo opravte. Pravidelne utierajte plastové časti dočista mäkkou navlhčenou handričkou. Vždy osušte kovové časti, aby sa zabránilo tvorbe hrdze, ak sa kočík dostal do styku s vodou.
- ! Nadmerné vystavenie slnečnému žiareniu alebo teplu môže spôsobiť vyblednutie alebo deformáciu častí.
- ! Ak je kočík vlhký, rozťahnite plátennú striešku a nechajte ho pred uskladnením dôkladne vysušiť.
- ! Ak kolesá pískajú, použite jemný olej (napr. silikónový sprej, antikoróznny olej alebo olej do šijacieho stroja). Je dôležité, aby sa olej dostal do zostavy osky a kolesa. 85
- ! Pri používaní kočíka na pláži alebo v iných piesočnatých/prašných prostrediach ho po použití úplne vyčistite, aby ste odstránili piesok a soľ z mechanizmov a zostáv kolies.

RU Вас приветствует компания Joie™!

Поздравляем — вы стали частью семьи Joie! Мы рады отправиться в путь вместе с вами и вашим малышом. Joie Finiti™ — это высококачественная коляска, сертифицированная по европейскому стандарту безопасности EN 1888-2:2018. Данное изделие предназначено для детей весом до 22 кг или возрастом до 4 лет (в зависимости от того, что наступит раньше). Внимательно прочтите настоящее руководство и выполняйте все рекомендации, чтобы обеспечить удобство в поездке и максимальную защиту ребенка. **ВАЖНО! ВНИМАТЕЛЬНО ПРОЧТИТЕ И СОХРАНИТЕ НА БУДУЩЕЕ.**

Скачать руководства и ознакомиться с другой замечательной продукцией Joie можно на веб-сайте joiebaby.com.

Сведения о гарантии опубликованы на веб-сайте joiebaby.com

Содержание

| | |
|--------------------------------|------------|
| Рисунки | 1-16 |
| ПРЕДУПРЕЖДЕНИЯ | 205 |
| Сборка коляски | 208 |
| Раскладывание коляски | 208 |
| Сборка и снятие передних колес | 208 |
| Сборка и снятие задних колес | 208 |
| Сборка козырька | 208 |
| Сборка и снятие подстаканника | 208 |

| | |
|--|------------|
| Эксплуатация коляски | 209 |
| Регулировка положения спинки | 209 |
| Использование пряжки | 209 |
| Использование плечевых и поясных ремней | 210 |
| Использование поручня | 210 |
| Регулировка положения опоры для ног | 210 |
| Использование фиксаторов передних колес | 211 |
| Использование тормоза | 211 |
| Использование козырька | 211 |
| Регулировка положения рукоятки | 211 |
| Поворот сиденья | 211 |
| Использование сумки для багажа | 211 |
| Складывание коляски | 212 |
| Использование принадлежностей | 212 |
| Снятие и установка тканевых деталей | 214 |
| Очистка и уход за изделием | 214 |

Чрезвычайные ситуации

В случае чрезвычайного происшествия или несчастного случая следует незамедлительно оказать ребенку первую помощь и обратиться к врачу.

Информация об изделии

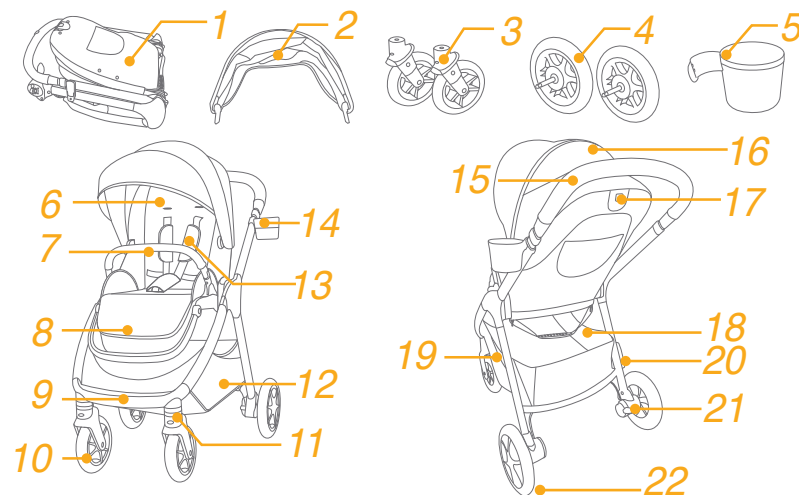
Перед использованием данного изделия прочтите все инструкции в настоящем руководстве. С вопросами обращайтесь в магазин, где было приобретено изделие. Некоторые элементы могут отличаться у различных моделей.

| | |
|----------------------------|--|
| Изделие | Коляска Finiti |
| Предназначено для | Данное изделие предназначено для детей весом до 22 кг или возрастом до 4 лет (в зависимости от того, что наступит раньше). |
| Материалы | Пластик, металл, ткань |
| Номер патента | Патенты оформляются |
| Страна производства | Китай |
| Марка | Joie |
| Веб-сайт | www.joiebaby.com |
| Изготовитель | Allison GmbH |

Спецификация деталей

Перед сборкой данного изделия проверьте наличие всех деталей. В случае отсутствия любых деталей обратитесь в магазин, где было приобретено данное изделие. Для сборки не требуются инструменты.

- | | |
|------------------------------|---------------------------------|
| 1 Рама коляски | 12 Вещевая корзина |
| 2 Козырек | 13 Плечевые ремни |
| 3 Передние колеса | 14 Подстаканник |
| 4 Задние колеса | 15 Рукоятка |
| 5 Подстаканник | 16 Окно в козырьке |
| 6 Подкладка сиденья | 17 Рукоятка регулировки наклона |
| 7 Поручень | 18 Сумка для багажа |
| 8 Опора для ног | 19 Сумка для багажа |
| 9 Подножка | 20 Фиксатор для хранения |
| 10 Передние колеса | 21 Педаль тормоза |
| 11 Фиксатор переднего колеса | 22 Задние колеса |

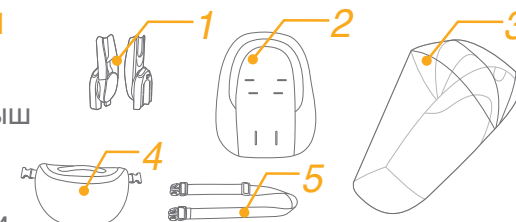


Принадлежности

(могут не входить в комплект поставки)

- | | |
|------------------------|-----------|
| 1 Адаптер | 2 Вкладыш |
| 3 Дождевик | |
| 4 Карман для вещей | |
| 5 Ремень для переноски | |

Принадлежности могут продаваться отдельно или отсутствовать в некоторых регионах.



ПРЕДУПРЕЖДЕНИЯ

- ! **ВНИМАНИЕ!** Категорически запрещается оставлять ребенка без присмотра.
- ! **ВНИМАНИЕ!** Прежде чем использовать коляску, убедитесь, что задействованы все фиксаторы.
- ! **ВНИМАНИЕ!** Во избежание травм не складывайте и не раскладываете коляску вблизи ребенка.
- ! **ВНИМАНИЕ!** Не позволяйте ребенку играть с данным изделием.
- ! **ВНИМАНИЕ!** Подходит для детей весом до 22 кг или возрастом до 48 месяцев.
- ! **ВНИМАНИЕ!** Всегда используйте удерживающую систему.
- ! **ВНИМАНИЕ!** Перед использованием коляски убедитесь, что все крепежные устройства на коляске, сидении или автокресле задействованы надлежащим образом.
- ! Данное изделие не предназначено для бега или катания на роликах.
- ! В коляске допускается перевозить детей весом не более 22 кг. Перевозка в коляске детей большего веса может привести к ее повреждению.
- ! Для новорожденных спинку коляски рекомендуется опустить в самое низкое положение.
- ! Перед тем как помещать ребенка в коляску или извлекать его из коляски, необходимо задействовать тормоза.
- ! Во избежание опасного опрокидывания коляски не помещайте в вещевую корзину предметы весом более 4,5 кг.
- ! Подстаканник рассчитан на максимальный вес 0,5 кг (1 фунт).
- ! В коляске допускается перевозить только одного ребенка.
- ! Запрещается прикреплять различные предметы к ручьятке, спинке сиденья и боковым частям коляски. От дополнительной нагрузки коляска потеряет устойчивость и может перевернуться.

- ! Прикрепление любого груза к ручьятке, к спинке или боковым частям коляски приведет к нарушению устойчивости коляски.
- ! Не разрешается использовать принадлежности, не одобренные производителем. Допускается использовать только запасные части, поставляемые или рекомендованные производителем манежа.
- ! Автолюлька, установленная на раму данной коляски, не заменяет люльку или кроватку для новорожденных. Чтобы уложить ребенка спать, его необходимо перенести в подходящую лежащую коляску, люльку или кровать.
- ! Во избежание удушья перед использованием данного изделия снимите с него пластиковый пакет и упаковочные материалы. Храните пластиковый пакет и упаковочные материалы в недоступном для детей месте.
- ! Переносная люлька предназначена только для тех детей, которые не могут самостоятельно сидеть, переворачиваться и вставать на четвереньки. Максимальный вес ребенка: 9 кг.
- ! **ЗАПРЕЩАЕТСЯ** использовать и укладывать в люльку матрасы помимо того, который поставляется в комплекте с ней.
- ! Сборку должны осуществлять взрослые.
- ! Перед использованием данного изделия прочтите все инструкции в настоящем руководстве. Сохраните настоящее руководство по эксплуатации для использования в будущем. Несоблюдение этих предупреждений и инструкций может привести к причинению серьезного вреда здоровью ребенка или летальному исходу.
- ! Во избежание причинения серьезного вреда здоровью ребенка в результате падения или выскальзывания из коляски обязательно используйте ремни безопасности.
- ! Во время регулировки коляски тело ребенка не должно соприкасаться с какими бы то ни было подвижными деталями.
- ! Категорически запрещается использовать коляску на лестницах и эскалаторах.

- ! Коляску необходимо держать вдали от горячих предметов, жидкостей и электронных приборов.
- ! Категорически запрещается помещать коляску на дороги, откосы и в другие опасные места.
- ! Во избежание удушья ЗАПРЕЩАЕТСЯ помещать предметы с лентами и веревками вокруг шеи ребенка, свешивать ленты и веревки с коляски, а также прикреплять веревки и ленты к игрушкам.
- ! ЗАПРЕЩАЕТСЯ помещать ребенка в вещевую корзину.
- ! Во избежание зажатия соблюдайте осторожность при складывании и раскладывании коляски.
- ! С целью обеспечения безопасности ребенка перед использованием коляски необходимо убедиться, что все детали собраны и закреплены надлежащим образом.
- ! Во избежание удушья удостоверьтесь, что козырек не касается ребенка.
- ! Остановив коляску, обязательно задействуйте тормоза.
- ! В случае повреждения или поломки коляски ее необходимо прекратить использовать.
- ! Во избежание ожогов не помещайте в подстаканник горячие жидкости.
- ! Данное изделие предназначено для детей весом до 22 кг или возрастом до 4 лет (в зависимости от того, что наступит раньше).

Сборка коляски

(См. рисунки на стр. 1-16)

Перед сборкой и использованием данного изделия прочтите все инструкции в настоящем руководстве.

Раскладывание коляски

См. рисунки ① - ④

Отсоедините фиксатор для хранения от защелки для хранения ①, затем поднимите рукоятку вверх ②. При полном раскладывании коляски слышится характерный "щелчок".

Сиденье поворачивается. ④

! Перед использованием удостоверьтесь, что коляска полностью зафиксирована в разложенном состоянии.

Сборка и снятие передних колес

См. рисунки ⑤ - ⑥

Сборка и снятие задних колес

См. рисунки ⑦ - ⑧

Сборка козырька

См. рисунки ⑨ - ⑪

Сборка и снятие подстаканника

См. рисунки ⑫ - ⑬

Полностью собранная коляска показана на рисунке ⑭

Эксплуатация коляски

Регулировка положения спинки

см. рисунок 15

Спинку можно установить под 4 углами наклона.

Чтобы поднять или откинуть спинку, поверните рукоятку регулировки наклона на задней стороне спинки и потяните спинку вниз. 15

! Не нажимайте на кнопку фиксатора 15 - 3 в центре рукоятки регулировки наклона, регулируя угол наклона.

! Установите подходящий для использования наклон спинки.

! Максимальная нагрузка на карман для вещей, расположенный с обратной стороны спинки, составляет 0,45 кг.

Использование пряжки

См. рисунки 16 - 17

Расстегивание пряжки

При нажатии на кнопку пряжка расстегивается автоматически. 16

Застегивание пряжки

Совместите пряжку на поясном ремне с пряжкой на плечевом ремне 17 - 1 и совместите их с центральной пряжкой. Пряжка может застегнуться автоматически. 17 - 2

Когда пряжка полностью застегнется, вы услышите щелчок. 17 - 3

! Во избежание причинения тяжкого вреда здоровью ребенка в результате падения или выскальзывания из коляски обязательно пристегивайте ребенка ремнем.

! Удостоверьтесь, что ремни плотно прилегают к телу ребенка. Расстояние между телом ребенка и плечевыми ремнями не должно превышать толщину ладони.

! Не перекрещивайте плечевые ремни. Это приведет к сдавливанию шеи ребенка.

Использование плечевых и поясных ремней

См. рисунки 18 - 23

! Во избежание выпадения ребенка из коляски, усадив его в коляску, удостоверьтесь, что плечевые и поясные ремни установлены на правильную высоту и имеют подходящую длину.

18 - 1 Фиксатор плечевого ремня

18 - 2 Регулятор длины ремня

Для ребенка большого роста используйте фиксаторы плечевых ремней и верхние прорези для ремней. Для ребенка небольшого роста используйте фиксаторы плечевых ремней и нижние прорези для ремней.

Для регулировки положения фиксатора плечевого ремня разверните его плашмя и торцом вперед. Проденьте фиксатор через прорезь для плечевого ремня сзади вперед. 21 Снова проденьте его через прорезь, расположенную ближе всего к плечам ребенка. 22

С помощью регулятора длины отрегулируйте длину ремней. 23 - 1

Нажмите на кнопку 23 - 2 и одновременно вытяните поясной ремень на требуемую длину. 23 - 3

Использование поручня

См. рисунки 24 - 26

Регулировка положения опоры для ног

См. рисунки 27 - 28

Опору для ног можно установить в 2 положения.

Чтобы опустить опору для ног, нажмите на регулировочные кнопки с обеих сторон опоры для ног 27 - 1 и опустите ее. 27 - 2

Чтобы поднять опору для ног, потяните ее вверх. Когда опора зафиксируется должным образом, прозвучит щелчок.

Использование фиксаторов передних колес

См. рисунки 29

Поверните фиксатор передних колес влево для ориентации. Поверните фиксатор передних колес вправо для высвобождения 29

Совет Фиксаторы передних колес рекомендуется использовать на неровных поверхностях.

Использование тормоза

См. рисунки 30 - 31

Чтобы заблокировать колеса, опустите ногой педаль тормоза вниз. 30

Чтобы разблокировать колеса, поднимите педаль тормоза вверх. 31

Совет Всегда задействуйте тормоз, если не перемещаете коляску.

Использование козырька

См. рисунки 32 - 34

Козырек можно разложить полностью, чтобы максимально защитить ребенка от солнца. Для этого расстегните молнию 33 и потяните козырек вперед.

Регулировка положения рукоятки

См. рисунки 35

Поворот сиденья

См. рисунки 36 - 39

Использование сумки для багажа

См. рисунки 40

Максимальная нагрузка на каждый из карманов для вещей, расположенных с обеих сторон корзины, составляет 0,45 кг.

Складывание коляски

См. рисунки 41 - 49

! Кнопка, расположенная в центре рукоятки регулировки наклона, служит для складывания сиденья. 42 - 1

! Сложенная коляска может стоять вертикально, если рукоятка находится в нижнем положении. 46

! Фиксатор для хранения автоматически застегнется на защелке для хранения. После этого коляска будет полностью сложена и зафиксирована. 46 49

Использование принадлежностей

Принадлежности могут продаваться отдельно или не предлагаться в некоторых регионах.

Использование с удерживающей системой для новорожденных

См. рисунки 50 - 55

При использовании коляски с автолюлькой Joie iGem 2, iLevel и iSnug следуйте приведенным ниже инструкциям.

! При полной фиксации адаптера слышится характерный "щелчок".

! В случае возникновения любых проблем при использовании автолюльки, ознакомьтесь с руководством по эксплуатации этой системы.

! Не складывайте коляску с установленной удерживающей системой для новорожденных.

Использование переносной люльки

См. рисунки 56 - 59

При использовании переносной люльки Joie gamble xl следуйте приведенным ниже инструкциям.

- ! При полной фиксации адаптера слышится характерный "щелчок".
- ! Переносную люльку можно использовать только с матрасом.
- ! В случае возникновения любых проблем при использовании переносной люльки ознакомьтесь с руководством по эксплуатации этой системы.
- ! Не складывайте коляску с установленной переносной люлькой.

Использование дождевика

См. рисунки 60

Для сборки дождевика накройте им сиденье.

- ! При использовании дождевика обязательно проверяйте его вентиляцию.
- ! Неиспользуемый дождевик необходимо очистить, высушить и сложить.
- ! Не складывайте коляску, если на нее установлен дождевик.
- ! Не помещайте ребенка в коляску с дождевиком в жаркую погоду.

Использование кармана для вещей

См. рисунки 61 - 66

Общая максимально допустимая нагрузка на карман для вещей не должна превышать 1 кг.

Карман для вещей можно отстегнуть от корзины и использовать отдельно. 66

Использование вкладыша

См. рисунки 67 - 68

Снятие и установка тканевых деталей

См. рисунки 69 - 84

Снимите поручень, см. рисунок 26

Чтобы надеть детали из ткани, выполните приведенные выше шаги в обратном порядке 84 - 69

Очистка и уход за изделием

См. рисунки 85

- ! Для очистки рамы коляски разрешается использовать только хозяйственное мыло и теплую воду. Запрещается использование отбеливателей и моющих средств. Инструкции по очистке тканевых деталей коляски приведены на памятке по уходу.
- ! Съёмную тканевую обивку допускается стирать в стиральной машине. Не отбеливать! Не скручивайте чехол и внутреннюю обивку сиденья при сушке. От этого на чехле и внутренней обивке сиденья могут появиться складки.
- ! Время от времени проверяйте коляску на наличие плохо закрепленных винтов, признаков износа деталей, повреждений материала и швов. Заменяйте или ремонтируйте детали по необходимости. Периодически протирайте пластиковые детали мягкой влажной тканью. В случае контакта коляски с водой обязательно вытирайте металлические детали насухо во избежание появления ржавчины.
- ! Чрезмерное нахождение на солнце или при повышенной температуре приводит к выцветанию или деформации деталей.
- ! Если коляска намочла, откройте козырек и хорошо просушите перед тем, как поместить коляску на хранение.

- ! Если скрипят колеса, смажьте их легким маслом (например силиконовой смазкой-аэрозолем, антикоррозийным маслом или маслом для швейных машин). Важно, чтобы при этом масло попало на ось и систему колеса. 35
- ! При использовании коляски на пляже или в местах с высоким содержанием пыли/ песка полностью очищайте ее механизмы и колеса от песка и соли.

DA Velkommen til Joie™

Tillykke og velkommen til Joie-familien! Vi er så glade for at være en del af din rejse med den lille. Når du er på tur med Joie Finiti™, bruger du en klapvogn i høj kvalitet som er fuldt certificeret og godkendt iht. de europæiske sikkerhedsstandarder EN 1888-2:2018. Dette produkt er beregnet til børn op til 22 kg eller 4 år, hvad enten der kommer først. Læs denne vejledning omhyggeligt og følg alle trinene så du sikrer, at dit barn har det behageligt og er ordentligt beskyttet under turen.

VIGTIGT - LÆS OMHYGGELIGT OG BEHOLD TIL SENERE REFERENCE.

Besøg os på joiebaby.com, hvor du kan downloade vejledninger og se flere spændende Joie-produkter!

Besøg vores websted på joiebaby.com for at få oplysninger om garanti

Indhold

| | |
|--------------------------------|------------|
| Billeder | 1-16 |
| ADVARSEL | 221 |
| Sådan samles klapvognen | 223 |
| Åbn klapvognen | 223 |
| Montér og afmonter forhjul | 223 |
| Montér og afmonter baghjul | 223 |
| Montering af kaleche | 223 |
| Montér og afmonter kopholder | 223 |

| | |
|---|------------|
| Sådan bruges klapvognen | 224 |
| Justering af ryglænet | 224 |
| Brug af spændet | 224 |
| Brug af skulder- og taljeseler | 225 |
| Brug af armstøtte | 225 |
| Justering af lægstøtten | 225 |
| Brug af forhjulslåsen | 226 |
| Brug af bremsen | 226 |
| Brug af kalechen | 226 |
| Justering af håndtaget | 226 |
| Skift af sæde | 226 |
| Brug af opbevaringspose | 226 |
| Sådan foldes klapvognen sammen | 227 |
| Brug af tilbehør | 227 |
| Afmonter og samling af bløde varer | 229 |
| Rengøring og vedligeholdelse | 229 |

Nødsituation

I tilfælde af en nødsituation eller ulykke er det vigtigst, at dit barn straks får førstehjælp og lægebehandling.

Produktoplysninger

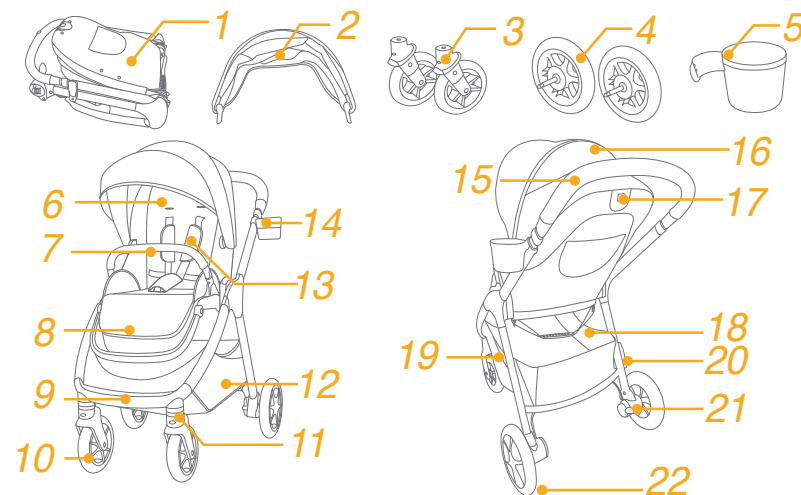
Læs alle instruktionerne i denne vejledning, inden produktet tages i brug. Hvis du har yderligere spørgsmål, bedes du kontakte din forhandler. Nogle funktioner kan være forskellige fra model til model.

| | |
|----------------------|--|
| Produkt | Finiti klapvogn |
| Egnet til | Dette produkt er beregnet til børn op til 22 kg eller 4 år, hvad enten der kommer først. |
| Materialer | Plastik, metal, stof |
| Patentnummer | Afventer patent |
| Fremstillet i | Kina |
| Varemærket | Joie |
| Website | www.joiebaby.com |
| Producent | Allison GmbH |

Liste over dele

Kontroller, at alle delene følger med, inden du begynder at samle produktet. Hvis der mangler nogen dele, bedes du venligst kontakte din lokale forhandler. Der skal ikke bruges værktøj til at samle produktet.

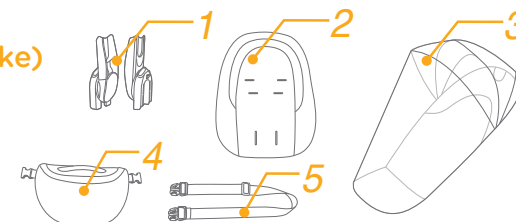
| | | | |
|----|---------------|----|-----------------------------------|
| 1 | Klapvognsstel | 12 | Opbevaringskurv |
| 2 | Kaleche | 13 | Skuldersele |
| 3 | Forhjul | 14 | Kopholder |
| 4 | Baghjul | 15 | Håndtag |
| 5 | Kopholder | 16 | Kalechevindue |
| 6 | Sædepude | 17 | Håndtag til at læne sædet tilbage |
| 7 | Armstøtte | 18 | Opbevaringspose |
| 8 | Lægstøtte | 19 | Opbevaringspose |
| 9 | Fodstøtte | 20 | Opbevaringslås |
| 10 | Forhjul | 21 | Bremsegreb |
| 11 | Hjulslås | 22 | Baghjul |



Tilbehør

(medfølger muligvis ikke)

- | | | | |
|---|------------------|---|--------|
| 1 | Adapter | 2 | Indlæg |
| 3 | Regnslag | | |
| 4 | Opbevaringslomme | | |
| 5 | Bærerem | | |



Tilbehør sælges muligvis separat og er muligvis ikke tilgængeligt i dit område.

ADVARSEL

- ! ADVARSEL Efterlad aldrig barnet uden opsyn.
- ! ADVARSEL Sørg for, at alle låsene er låst inden brug.
- ! ADVARSEL For at undgå skader, skal børn altid holdes væk fra produktet, når du folder det ud eller sammen.
- ! ADVARSEL Lad ikke barnet lege med dette produktet.
- ! ADVARSEL Egned til børn op til 22 kg eller op til 48 måneder.
- ! ADVARSEL Brug altid fastspændingssystemet.
- ! ADVARSEL Sørg altid for, at fastgørelsesanordningerne på barnevogne, sædeenheder og bilsæder er spændt ordentligt før brug.
- ! Dette produkt er ikke beregnet til brug under løb eller skating.
- ! Brug klapvognen til børn op til 22kg. Tungere børn kan beskadige klapvognen.
- ! Det anbefales at bruge en særligt egnet skråstol i tilbagelænet tilstand til babyer.
- ! Parkeringsbremsen skal slås til, når du skal anbringe barnet eller tage det op.
- ! For at forhindre en farlig, ustabil tilstand, må du ikke anbringe mere end 4,5 kg i opbevaringskurven.
- ! Den anbefalede vægt i kopholderen er 0,5kg (1lbs).
- ! Brug kun klapvognen med ét barn ad gangen.
- ! Læg ikke genstande på håndtaget, ryglænet eller på klapvognens sides. Enhver ekstra belastning vil påvirke klapvognens stabilitet og kunne medføre, at klapvognen vipper.
- ! Enhver vægt, der anbringes på håndtaget, bag på ryglænet eller på siderne af klapvognen vil påvirke stabiliteten.
- ! Brug ikke tilbehør, der ikke er godkendt af producenten. Brug kun reservedele, som leveres eller er godkendt af fabrikanten.
- ! Dette produkt kan ikke, sammen med autostolen, erstatte en barneseng eller en seng til spædbørn. Hvis barnet skal sove, bør du anbringe det i en passende barnevognskasse, barneseng eller seng.
- ! For at undgå kvælning skal plastikposen og alle emballagematerialer fjernes, inden produktet tages i brug.

Plastikposen og emballagen skal derefter holdes væk fra babyer og børn.

- ! En bæreseng er kun beregnet til et barn, der ikke selv kan sidde op, rulle over, eller skubbe sig selv op med hænder og knæ. Barnets maksimale vægt: 9 kg.
- ! Der må IKKE bruges eller lægges en anden madras i bæresengen end den, der følger med.
- ! Kræver samling af en voksen.
- ! Læs alle instrukserne i brugsanvisningen, før du bruger produktet. Gem brugsanvisningen til senere brug. Manglende overholdelse af disse advarsler og instruktioner kan medføre alvorlige kvæstelser eller dødsfald.
- ! For at undgå, at barnet kommer til skade ved at falde eller glide ud, skal du altid bruge sikkerhedssele.
- ! Sørg for at dit barns krop går fri fra de bevægelige dele, når du justerer klapvognen.
- ! Brug aldrig klapvognen på trapper eller rulletrapper.
- ! Hold produktet væk fra varme genstande, væsker og elektronik.
- ! Efterlad aldrig klapvognen på vejen, på skråninger eller andre farlige steder.
- ! For at undgå kvælning må du IKKE lægge noget rundt om barnets hals, ophænge snore fra dette produkt eller binde snore til legetøj.
- ! Brug IKKE opbevaringskurven som barnelift.
- ! For at undgå klemte fingre, skal du altid være forsigtig, når du falder klapvognen sammen eller ud.
- ! Af hensyn til barnets sikkerhed skal du altid sikre dig, at alle dele er samlet og monteret korrekt, før du bruger klapvognen.
- ! For at undgå strangulering skal du sørge for, at dit barn er fri af kalechen.
- ! Slå altid bremserne til, når du parkerer klapvognen.
- ! Stop med at bruge klapvognen, hvis den er beskadiget eller ødelagt.
- ! For at undgå forbrændinger må du aldrig komme varme væsker i din kopholder.
- ! Dette produkt er beregnet til børn op til 22 kg eller 4 år, hvad enten der kommer først.

Sådan samles klapvognen

(Se venligst billederne på 1-16)

Læs alle instruktionerne i denne vejledning, inden du samler og tager produktet i brug.

Åbn klapvogn

se billeder ① - ④

Adskil opbevaringslåse fra opbevaringsmonteringen ①, og løft derefter håndtaget opad ②, hvorefter der lyder et klik, hvilket betyder at klapvognen er helt åbn.

Sædet kan vendes om. ④

! Kontroller at klapvognen er foldet helt ud, før du går videre.

Sådan monteres og afmonteres forhjulene

se billeder ⑤ - ⑥

Sådan monteres og afmonteres baghjulene

se billeder ⑦ - ⑧

Montering af kaleche

se billeder ⑨ - ⑪

Montér & afmonter kopholder

se billeder ⑫ - ⑬

Den færdigsamlede klapvogn er vist som ⑭

Sådan bruges klapvognen

Juster ryglænet

se billede ⑮

Ryglænet har 4 lænevinkler.

For at hæve og sænke ryglænet roteres håndtaget til at læne sædet tilbage bag på sædet, og ryglænet lægges tilbage. ⑮

! Tryk venligst ikke på frigørelsesknappen ⑮ - 3 på midten af håndtaget til tilbagelæning, når ryglænet justeres.

! Indstil ryglænet i en passende vinkel.

! Opbevaringslommen på bagsiden af ryglænet må højst holde 0,45 kg.

Brug spændet

se billeder ⑯ - ⑰

Spænd spændet op

Tryk på knappen, så spændet frigøres automatisk. ⑯

Lås spændet

Sæt spændet på taljeselen sammen med skulderspændet ⑰ - 1, og sæt dem sammen med midterspændet, så spændet kan låses automatisk. ⑰ - 2 Et "Klik" betyder, at spændet er låst. ⑰ - 3

! For at undgå, at barnet kommer til skade ved at falde eller glide ud, skal du altid bruge selen til barnet.

! Sørg for at dit barn sidder godt fastspændt. Afstanden mellem barnet og skulderselerne skal være ca. som tykkelsen af en hånd.

! Kryds ikke skulderremmene. Dette vil medføre pres på barnets hals.

Brug skulder- og taljeseler

se billeder 18 - 23

! Når barnet sidder i autostolen, skal du sørge for, at skulder- og taljeselerne er i den korrekte højde og længde, så barnet ikke kan falde ud.

18 - 1 Fastgørelsespunkt for skulderseler

18 - 2 Glidejustering

Større børn skal bruge fastgørelsespunkt til skuldersæle og den højeste skulderplacering. Mindre børn skal bruge fastgørelsespunkt til skuldersæle og lavere skulderplacering.

Hvis du vil justere placeringen af fastgørelsespunktet for skuldersæle, skal du vende spændet, så det ligger plant fremad. Stik det igennem skuldersælen bagfra. 21 Før den igennem det hul, der er tættest på barnets skulderhøjde. 22

Brug glidejusteringen til at ændre selens længde. 23 - 1

Tryk på knappen 23 - 2, mens taljesælen trækkes til den korrekte længde. 23 - 3

Brug af armstøtte

se billeder 24 - 26

Justere lægstøtten

se billeder 27 - 28

Lægstøtten har 2 indstillinger.

For støtte af læggen trykkes på justeringsknapperne på begge sider af lægstøtten 27 - 1, og drej lægstøtten nedad. 27 - 2

For at hæve lægstøtten skubbes den opad. Der lyder et "klik", når den er låst på plads.

Brug af forhjulslåsen

se billede 29

Drej drejelåsen til venstre for at justere den. Drej drejelåsen til højre for at frigøre den. 29

Tip Det anbefales at bruge hjullåsen på ujævne overflader.

Brug af bremsen

se billeder 30 - 31

Træd på bremsepedalen, for at låse hjulene. 30

For at låse hjulene op, skal du løfte bremsepedalen op. 31

Tip Lås altid hjulene, når du ikke kører med klapvognen.

Brug kalechen

se billeder 32 - 34

Kalechen kan åbnes helt for at beskytte dit barn mod solen, bare åbn lynlåsen 33, og træk kalechen fremad.

Justering af håndtaget

se billede 35

Skift sæde

se billeder 36 - 39

Brug af opbevaringspose

se billede 40

Opbevaringslommerne på bagsiden af ryglænet må hver højst holde 0,45 kg.

Sådan foldes klapvognen sammen

se billeder 41 - 49

- ! Knappen midt på håndtaget til tilbagelæning bruges til at folde sædet. 42 - 1
- ! Den foldede klapvogn kan stå op, når håndtaget er i den laveste position. 46
- ! Opbevaringslåsen låses automatisk fast til opbevaringsholderen, hvorefter klapvognen foldes og låses helt sammen. 46 49

Brug af tilbehør

Tilbehør sælges muligvis separat og er muligvis ikke tilgængeligt i dit område.

Brug med autostol

se billeder 50 - 55

Hvis produktet bruges med en Joie babyautostol iGemm 2, iLevel eller iSnug, bedes du venligst følge følgende vejledninger.

- ! Der lyder et "klik", når adapteren er låst helt.
- ! Hvis du har spørgsmål om brug af autostolen, bedes du venligst se brugervejledningen til denne.
- ! Klapvognen må ikke foldes sammen, når autostolen stadig er i klapvognen.

Brug bæreseng

se billeder 56 - 59

Når Joie ramble xl babylift anvendes, så se venligst følgende instruktioner.

- ! Der lyder et "klik", når adapteren er låst helt.
- ! Brug altid madrassen når bæresengen anvendes.

! Hvis du har spørgsmål om brug af bæreseng, bedes du venligst se brugervejledningen til denne.

! Klapvognen må ikke foldes sammen, når babyliften stadig er i klapvognen.

Brug regnslag

se billede 60

For at samle regnslaget, skal det placeres over sædet.

- ! Når regnslaget bruges, skal du altid sørge for at der er ventilation.
- ! Inden regnslaget pakkes sammen, skal du sørge for at det er blevet rengjort og er ordentligt tørt.
- ! Fold ikke klapvognen sammen, når regnslaget sidder på.
- ! Undgå, at barnet sidder i klapvognen med regnslaget på i varmt vejr.

Brug opbevaringslomme

se billeder 61 - 66

Den samlede maksimale vægt i opbevaringslommen må ikke være over 1 kg.

Opbevaringslommen kan tages ud af kurven og bruges separat. 66

Brug indlæg

se billeder 67 - 68

Afmonter og samling af bløde varer

se billeder 69 - 84

Fjern armstøtte vist som 26

Følg nedenstående trin i omvendt rækkefølge, for at sætte de bløde dele på igen 84 - 69

Rengøring og vedligeholdelse

se billeder 85

- ! Stellet må kun rengøres med almindeligt sæbevand. Det må ikke rengøres med blegemiddel eller rengøringsmidler. Se venligst rengøringsinstruktionerne på stofdelene på klapvognen.
- ! Aftagelige bløde varer kan vaskes med maskine. Den må ikke vaskes med blegemiddel. Undgå at vride sædebetræk og puder for at tørre med stor kraft. Det kan give delene folder.
- ! Kontroller regelmæssigt klapvognen for løse skruer, slidte dele, ødelagt stof eller syninger. Udskift eller reparer delene efter behov. Tør regelmæssigt plastikdelene af med en fugtig klud. Tør altid metaldelene af, så de ikke ruste, hvis klapvognen er kommet i kontakt med vand.
- ! Hvis klapvognen udsættes for sol eller varme i længere tid, kan nogle af delene blive slidt eller skæve.
- ! Hvis klapvognen bliver våd, skal du åbne kalechen, og lad den tørre grundigt inden den gemmes væk.
- ! Hvis hjulene piber, skal de smøres med en let olie (fx silikonespray, rustfrit olie eller symaskineolie). Det er vigtigt at få olien ind i akslen og hjulsamlingen. 85
- ! Hvis klapstolen bruges på en strand eller andre sandede/støvede miljøer, skal den rengøres grundigt efter brug. Fjern alt sand og salt på de mekaniske dele og på hjulsamlingerne.

SE Välkommen till Joie™

Gratulerar till att ha blivit en del av Joie-familjen! Vi är mycket glada över att vara delaktiga i din resa med ditt lilla barn. När du använder en Joie Finiti™ använder du en sittvagn i hög kvalitet som är fullt certifierad och har godkänts av europeiska säkerhetsstandarden EN 1888-2:2018. Den här produkten är lämplig för barn upp till 22 kg eller 4 år beroende på vilket som inträffar först. Läs noga igenom denna bruksanvisning och följ alla steg för att garantera en komfortabel resa och bästa skyddet för ditt barn.

VIKTIGT — LÄS IGENOM NOGA OCH SPARA FÖR FRAMTIDA REFERENS.

Besök oss på joiebaby.com för att ladda ned bruksanvisningar och se fler spännande Joie-produkter!

Besök vår webbplats joiebaby.com för att få garantiinformation

Innehåll

| | |
|---------------------------------|------------|
| Figurer | 1-16 |
| VARNING | 235 |
| Montera sittvagnen | 237 |
| Öppna sittvagnen | 237 |
| Montera och ta bort framhjul | 237 |
| Montera och ta bort bakhjul | 237 |
| Montera suffletten | 237 |
| Montera och ta bort mugghållare | 237 |

| | |
|--------------------------------|------------|
| Använda sittvagnen | 238 |
| Justera ryggstödet | 238 |
| Använda spännet | 238 |
| Använda axel- och midjeselar | 239 |
| Använda armstödet | 239 |
| Justera benstödet | 239 |
| Använda främre riktningsslåset | 240 |
| Använda bromsen | 240 |
| Använda suffletten | 240 |
| Justera handtaget | 240 |
| Byta plats på sätet | 240 |
| Använda förvaringsväskan | 240 |
| Fälla ihop sittvagnen | 241 |
| Använda tillbehör | 241 |

| | |
|--|------------|
| Ta bort och montera mjuka delar | 243 |
|--|------------|

| | |
|--------------------------------|------------|
| Rengöring och underhåll | 243 |
|--------------------------------|------------|

Nödfall

Vid nödfall eller en olycka är det mycket viktigt att barnet omedelbart får första hjälpen och medicinsk behandling.

Produktinformation

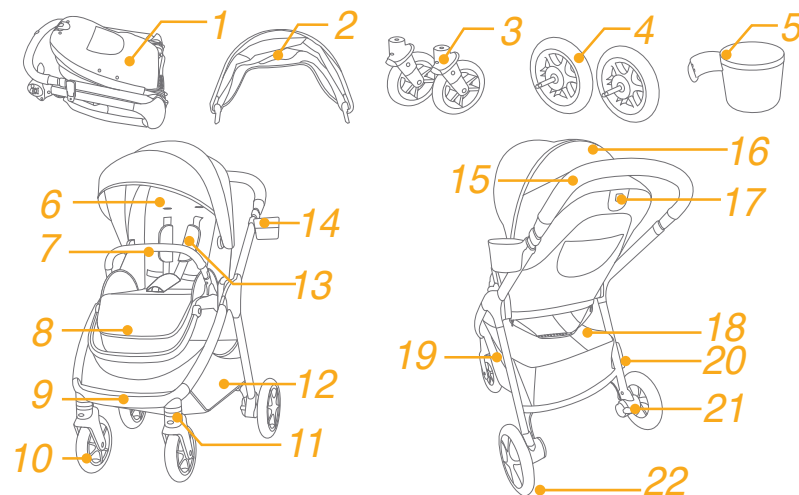
Läs igenom alla instruktionerna i denna manual innan produkten används. Om du har fler frågor så ber vi dig rådgöra med försäljaren. Vissa funktioner kan skilja sig åt mellan modeller.

| | |
|-----------------------|---|
| Produkt | Finiti sittvagn |
| Lämplig för | Den här produkten är lämplig för barn upp till 22 kg eller 4 år beroende på vilket som inträffar först. |
| Material | Plast, metall, tyg |
| Patentnr. | Patentansökan under behandling |
| Tillverkad i | Kina |
| Varumärkesnamn | Joie |
| Webbplats | www.joiebaby.com |
| Tillverkare | Allison GmbH |

Lista över delar

Kontrollera att alla delar är tillgängliga före montering. Om någon del saknas, kontakta återförsäljaren. Inga verktyg behövs för montering.

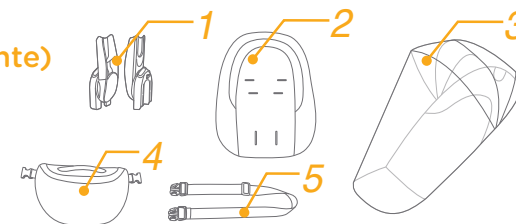
- | | | | |
|----|-----------------|----|-----------------|
| 1 | Sittvagnens ram | 12 | Förvaringskorg |
| 2 | Sufflett | 13 | Axelsele |
| 3 | Framhjul | 14 | Mugghållare |
| 4 | Bakhjul | 15 | Handtag |
| 5 | Mugghållare | 16 | Sufflettfönster |
| 6 | Sittdyna | 17 | Lutningshandtag |
| 7 | Armstöd | 18 | Förvaringsväska |
| 8 | Benstöd | 19 | Förvaringsväska |
| 9 | Fotstöd | 20 | Förvaringsspär |
| 10 | Framhjul | 21 | Bromsspak |
| 11 | Riktningsslås | 22 | Bakhjul |



Tillbehör

(medföljer eventuellt inte)

- | | | | |
|---|-----------------|---|--------|
| 1 | Adapter | 2 | Inlägg |
| 3 | Regnskydd | | |
| 4 | Förvaringsficka | | |
| 5 | Bärrem | | |



Tillbehör kan säljas separat eller så kan de vara tillgängliga beroende på region.

VARNING

- ! VARNING Lämna aldrig barnet utan uppsikt.
- ! VARNING Kontrollera att alla spärrar är inkopplade före användning.
- ! VARNING För att undvika skador, håll barnet borta vid upp- och ihopfällning av produkten.
- ! VARNING Låt inte barnet leka med den här produkten.
- ! VARNING Lämplig för barn upp till 22 kg eller upp till 48 månader.
- ! VARNING Använd alltid fasthållningsanordningssystemet.
- ! VARNING Kontrollera att liggdelen eller sittdelen eller bilstolstillbehören är ordentligt fastsatta innan användning.
- ! Den här produkten är inte lämplig för löpning eller rullskridskoåkning.
- ! Sittvagnen får bara användas med ett barn som väger mindre 22kg. Det skadar sittvagnen om barnet inte passar i den.
- ! Sittvagn som är konstruerad att användas från födseln ska rekommendera användningen för den maximala lutningspositionen för nyfödda barn.
- ! Parkeringsenheten ska användas när barn sätts i eller tas ut.
- ! För att förhindra ett farligt och instabilt skick ska inte mer än 4,5 kg placeras i förvaringskorgen.
- ! Den maximala rekommenderade vikten i mugghållaren är 0,5 kg.
- ! Använd sittvagnen med bara ett barn åt gången.
- ! Fäst inte föremål på handtaget, sätets baksida eller sittvagnens sidor. Alla ytterligare belastningar påverkar sittvagnens stabilitet och kan göra så att sittvagnen välter.
- ! All last som fästs på handtaget och/eller ryggstödet baksida och/eller på sittvagnens sidor påverkar sittvagnens stabilitet.
- ! Tillbehör som inte är godkända av tillverkaren ska inte användas. Endast utbytesdelar som tillhandahålls eller rekommenderas av tillverkaren ska användas.
- ! Fasthållningsanordningar för spädbarn som används tillsammans med chassin ersätter inte en barnsäng eller säng. Om ditt barn behöver sova ska det placeras i en lämplig liggdel, barnsäng eller säng.

- ! För att undvika kvävningrisk, ta bort plastpåsen och förpackningsmaterialet innan produkten används. Plastpåsen och förpackningsmaterialet måste sedan hållas borta från spädbarn och barn.
- ! Babyliften är endast lämplig för barn som inte kan sitta upp själv, rulla över eller komma upp på sina händer och knän. Barnets maximala vikt: 9 kg.
- ! Använd INTE eller lägg till någon annan madrass än den som följde med babyliften.
- ! Måste monteras av vuxen.
- ! Läs igenom alla instruktionerna i bruksanvisningen innan produkten används. Spara bruksanvisningen för framtida användning. Underlåtenhet att följa dessa varningar och instruktioner kan resultera i allvarlig skada eller dödsfall.
- ! För att undvika allvarliga skador, från att barnet faller eller glider ur, ska säkerhetsbältet alltid användas.
- ! Var noga med att ditt barns kropp inte är i vägen för rörliga delar när du justerar sittvagnen.
- ! Använd aldrig sittvagnen i trappor eller rulltrappor.
- ! Håll på avstånd från föremål som har hög temperatur, vätskor och elektronik.
- ! Placera aldrig sittvagnen på vägar, sluttningar eller i farliga områden.
- ! För att förhindra strypning, placera INTE föremål med snöre runt barnets hals, häng eller fäst inga snören från denna produkt eller på leksaker.
- ! Använd INTE förvaringskorgen för att bära barnet.
- ! För att undvika att fingrar fastnar så var försiktig när sittvagnen fälls ihop och fälls upp.
- ! För att säkerställa ditt barns säkerhet så var noga med att alla delar är ordentligt monterade innan du använder sittvagnen.
- ! För att undvika strypning så kontrollera att ditt barn är på avstånd från suffletten.
- ! Använd alltid bromsarna när du parkerar sittvagnen.
- ! Sluta använd sittvagnen om den är skadad eller trasig.
- ! För att undvika brännskador så placera aldrig varma vätskor i din mugghållare.
- ! Den här produkten är lämplig för barn upp till 22 kg eller 4 år beroende på vilket som inträffar först.

Montera sittvagnen

(se figurer på sida 1-16)

Läs igenom alla instruktionerna i denna bruksanvisning innan den här produkten monteras och används.

Öppna sittvagnen

se bilder ① - ④

Ta isär förvaringsfästet och förvaringsspärren ① och lyft sedan handtaget uppåt. ② När det hörs ett klickljud är sittvagnen helt öppnad.

Sitsen går att vända. ④

! Kontrollera att sittvagnen är helt spärrad innan du fortsätter att använda den.

Montera och ta bort framhjul

se bilder ⑤ - ⑥

Montera och ta bort bakhjul

se bilder ⑦ - ⑧

Montera sufflett

se bilder ⑨ - ⑪

Montera och ta bort mugghållare

se bilder ⑫ - ⑬

Den färdigmonterade sittvagnen visas i ⑭

Använda sittvagnen

Justera ryggstödet

se bilden ⑮

Det finns 4 lutningsvinklar för ryggstödet.

För att höja eller luta ryggstödet så rotera lutningshandtaget på sätets baksida och dra nedåt på ryggstödet. ⑮

! Tryck inte på frikopplingsknappen ⑮ - 3 på lutningshandtagets mitten när vinkeln för lutningen justeras.

! Kontrollera att lutningen är ordentligt inställd för användningen.

! Maximal vikt på det som läggs i förvaringsfickan baktill är 0,45 kg.

Använda spännet

se bilder ⑯ - ⑰

Öppna spännet

Tryck på knappen så öppnas spännet automatiskt. ⑯

Lås spännet

Passa ihop höftbältets spänne med axelspännet ⑰ - 1 och rikta in dem med mitten spännet så att spännet kan låsas automatiskt. ⑰ - 2 Ett "klick"-ljud betyder att spännet är helt låst. ⑰ - 3

! För att undvika allvarliga skador, från att barnet faller eller glider ur, ska barnet sättas fast med selen.

! Kontrollera den är snävt åtdragen runt ditt barn. Utrymmet mellan barnet och axelselen ska vara ungefär en hand tjock.

! Kors inte axelremmarna. Det orsakar ett tryck på barnets hals.

Använd axel- och midjeselar

se bilder 18 - 23

! För att kunna skydda ditt barn från att falla ut efter att ditt barn är placerat i sätet så kontrollera att axel- och midjeremmen är på rätt höjd och har rätt längd.

18 - 1 Axelseleförankring

18 - 2 Glidreglage

För större barn så använd axelseleförankringen och de högsta öppningarna för axelselen. För mindre barn ska axelseleförankringen användas på de nedersta öppningarna för axelselen.

För att justera positionen för axelseleförankringen så vrid förankringen så att den är i nivå med den sida som är riktad framåt. Trä igenom öppningen för axelremmen från baksida till framsida. 21 Trä igenom igen genom öppningen som är närmast barnets axelhöjd. 22

Använd glidreglaget för att ändra selens längd. 23 - 1

Tryck på knappen 23 - 2 under tiden som du drar midjeselen till lämplig längd. 23 - 3

Använda armstödet

se bilder 24 - 26

Justering av benstöd

se bilder 27 - 28

Benstödet har 2 lägen.

För att sänka benstöden så tryck på justeringsknapparna på båda sidor om benstöden 27 - 1 och rotera benstödet nedåt. 27 - 2

För att höja benstödet så tryck det uppåt. Ett "klick"-ljud betyder att benstödet har låsts.

Använda främre riktningslåset

se bilder 29

Rotera riktningslåset åt vänster för att ställa in Rotera riktningslåset till höger för att frigöra 29

Tips Det är att rekommendera att använda riktningslås på ojämna ytor.

Använda bromsen

se bilder 30 - 31

Du låser hjulen genom att trampa ned bromsspaken. 30

För att frigöra hjulen så lyft bara bromsspaken uppåt. 31

Tips Använd alltid parkeringsbromsen när sittvagnen inte rör sig.

Använda sufflett

se bilder 32 - 34

Suffletten kan öppnas helt och hållet för att på bästa sätt skydda ditt barn från solen, öppna bara blixtlåset 33 och dra sedan suffletten mot framsidan.

Justera handtaget

se bilder 35

Byta plats på sätet

se bilder 36 - 39

Använda förvaringsväskan

se bilder 40

Maximal vikt på det som läggs i förvaringsväskan på båda sidorna om korgen är 0,45 kg.

Fälla ihop sittvagnen

se bilder 41 - 49

- ! Knappen på mitten av lutningshandtaget används för att fälla ihop sätet. 42 - 1
- ! Den ihopfällda sittvagnen kan stå när handtaget är i sin lägsta position. 46
- ! Förvaringsspärren hakar automatiskt i förvaringsfästet och sedan är sittvagnen fullständigt hopvikt och låst. 46 49

Använda tillbehör

Tillbehör kan säljas separat eller så kan de vara tillgängliga beroende på region.

Använda med fasthållningsanordning för spädbarn

se bilder 50 - 55

När en Joie fasthållningsanordning för spädbarn iGemm 2& & iLevel & iSnug används så ber vid dig se följande instruktioner.

- ! Ett "klick"-ljud betyder att adaptern har låsts.
- ! Om du har några problem med att använda fasthållningsanordningen för barn så se deras egna bruksanvisningar.
- ! Vik inte ihop sittvagnen när fasthållningsanordningen för spädbarn fortfarande sitter fast.

Använda babylift

se bilder 56 - 59

När Joie ramble xl babylift används så vänligen se Följande instruktioner.

- ! Ett "klick"-ljud betyder att adaptern har låsts.

- ! Använd alltid madrassen när du använder babyliften.
- ! Om du har några problem med att använda babyliften så vänligen se deras egna bruksanvisningar.
- ! Vik inte ihop sittvagnen när babyliften fortfarande sitter fast.

Använda regnskydd

se bilder 60

För att montera regnskyddet ska det placeras över sätet.

- ! När regnskyddet används så kontrollera alltid dess ventilation.
- ! När det inte används så kontrollera att regnskyddet har rengjorts och torkats innan det viks ihop.
- ! Fäll inte ihop sittvagnen efter att regnskyddet monterats.
- ! Placera inte ditt barn i sittvagnen med regnskyddet monterat när det är varmt väder.

Använda förvaringsficka

se bilder 61 - 66

Maxvikten för förvaringsfickan får inte överskridas 1 kg.

Förvaringsfickan kan tas bort från korgen för separat användning. 66

Använda inlägg

se bilder 67 - 68

Ta bort och montera mjuka delar

se bilder 69 - 84

Ta bort armstödet som visas i 26

Följ ovanstående steg i motsatt ordning för att ta bort sitsens mjuka delar 84 - 69

Rengöring och underhåll

se bilder 85

- ! För att rengöra sittvagnens ram ska bara vanlig tvål och varmt vatten användas. Använd inte blekning eller rengöringsmedel. Se tvättrådsetiketten för instruktioner om rengöring av sittvagnens tygdelar.
- ! Mjuka delar som är avtagbara kan tvättas i maskin. Blek inte. Använd inte mycket kraft för att vrida ur sätesmaterialet och kuddarna när de ska torkas. Det kan göra att sätesmaterialet och inre kuddarna veckas.
- ! Kontrollera din sittvagn då och då för att se om skruvar sitter löst, delar är slitna, material sönderrivet eller sprucket i sömmarna. Byt eller reparera delarna efter behov. Torka regelbundet av plastdelar med en mjuk fuktig trasa. Torka alltid av metalldelar för att förhindra att det bildas rost om sittvagnen har kommit i kontakt med vatten.
- ! Överdriven exponering för sol eller värme kan göra så att delarna bleknar eller missformas.
- ! Om sittvagnen blir blöt så öppna suffletten och låt den torka ordentligt innan den lagras.
- ! Om hjulen gnisslar så använd en lätt olja (t.ex. silikonsprej, antirostolja eller symaskinsolja). Det är viktigt att oljan tränger in i axeln och hjulmontaget. 85
- ! När du använder din sittvagn på stranden eller andra sandiga/dammiga miljöer så rengör din sittvagn efter användningen för att ta bort sand och salt från mekanismer och hjulmontaget.

FI Tervetuloa Joie™-perheeseen

Onnittelut liittymisestä Joie-perheeseen! Olemme innoissamme osallistumisestamme matkaanne pienokaisenne kanssa. Matkustaessanne Joie Finiti™-tuotteen kanssa, käytätte korkealaatuisia, täysin sertifioituja lastenvaunuja, jotka ovat eurooppalaisten turvallisuusstandardien EN 1888-2:2018 mukaisia. Tämä tuote soveltuu lapsille 22 kg:n painoon tai 4-vuotiaaksi saakka, kumpi vain toteutuu ensin. Lue tämä käyttöopas huolellisesti ja noudata kaikkia ohjeita varmistaaksesi mukavan matkan ja parhaan suojauksen lapselle.

TÄRKEÄÄ - LUE HUOLELLISESTI JA SÄILYTÄ TULEVAA KÄYTTÖÄ VARTEN.

Siirry osoitteeseemme Joiebaby.com lataamaan käyttöoppaita ja tutustumaan muihin jännittäviin Joie-tuotteisiin!

Tutustuaksesi takuutietoihin, siirry verkkosivustollemme joiebaby.com

Sisältö

| | |
|---|------------|
| Kuvat | 1-16 |
| VAROITUS | 249 |
| Lastenvaunujen kokoonpano | 251 |
| Lastenvaunujen avaaminen | 251 |
| Etupyörän kokoaminen ja irrottaminen | 251 |
| Takapyörän kokoaminen ja irrottaminen | 251 |
| Kuomun kokoaminen | 251 |
| Kupinpidikkeen kokoaminen ja irrottaminen | 251 |

| | |
|------------------------------------|------------|
| Lastenvaunujen käyttö | 252 |
| Selkänojan säätäminen | 252 |
| Soljen käyttö | 252 |
| Hartia- ja vyötärövaljaiden käyttö | 253 |
| Käsituen käyttö | 253 |
| Pohjetuen säätäminen | 253 |
| Etupyörän kääntölukon käyttö | 254 |
| Jarrun käyttö | 254 |
| Kuomun käyttö | 254 |
| Kahvan säätäminen | 254 |
| Istuimen vaihtaminen | 254 |
| Säilytuspussin käyttö | 254 |
| Lastenvaunujen taittelu | 255 |
| Lisävarusteiden käyttö | 255 |

Pehmyttarvikkeiden irrottaminen ja kokoaminen 257

Puhdistus ja kunnossapito 257

Hätätilanne

Hätätilanteessa tai onnettomuuden sattuessa kaikkein tärkeintä on ensiavun saaminen lapselle ja hakeutuminen välittömästi lääketieteelliseen hoitoon.

Tuotetiedot

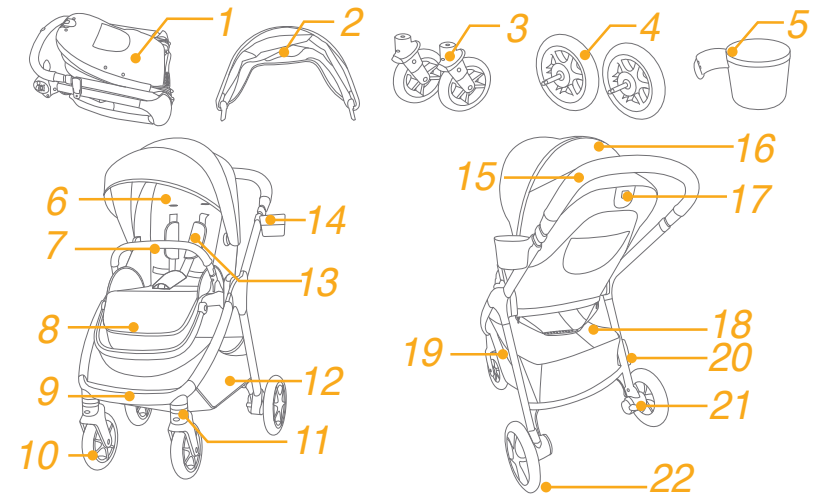
Lue kaikki tämän käyttöoppaan ohjeet ennen tämän tuotteen käyttöä. Jos sinulla on kysyttävää, ota yhteyttä jälleenmyyjään. Jotkut ominaisuudet voivat vaihdella mallin mukaan.

| | |
|-----------------------|--|
| Tuote | Finiti-lastenvaunut |
| Soveltuu | Tämä tuote soveltuu lapsille 22 kg:n painoon tai 4-vuotiaaksi saakka, kumpi vain toteutuu ensin. |
| Materiaalit | Muovit, metalli, kankaat |
| Patenttinumero | Patentteja vireillä |
| Valmistusmaa | Kiina |
| Tuotemerkinimi | Joie |
| Verkkosivusto | www.joiebaby.com |
| Valmistaja | Allison GmbH |

Osaluettelo

Varmista ennen kokoamista, että kaikki osat ovat käytettävissä. Jos jokin osa puuttuu, ota yhteyttä paikalliseen jälleenmyyjään. Kokoamiseen ei tarvita työkaluja.

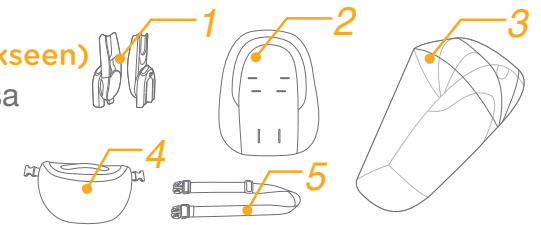
- | | |
|----------------------|-------------------|
| 1 Lastenvaunun runko | 12 Säilytyskori |
| 2 Kuomu | 13 Hartiavaljaat |
| 3 Etupyörä | 14 Kupinpidike |
| 4 Takapyörä | 15 Kahva |
| 5 Kupinpidike | 16 Kuomun ikkuna |
| 6 Istuintyyny | 17 Kallistuskahva |
| 7 Käsituki | 18 Säilytyspussi |
| 8 Pohjetuki | 19 Säilytyspussi |
| 9 Jalkatuki | 20 Säilytysalpa |
| 10 Etupyörä | 21 Jarruvipu |
| 11 Lisälukko | 22 Takapyörä |



Lisävarusteet

(Ei ehkä kuulu toimitukseen)

- | | |
|-----------------|-----------|
| 1 Sovitin | 2 Lisäosa |
| 3 Sateensuoja | |
| 4 Säilytystasku | |
| 5 Kantovyöt | |



Lisävarusteita voidaan myydä erikseen tai niitä ei ole saatavilla alueen mukaan.

VAROITUS

- ! VAROITUS Älä koskaan jätä lasta valvomatta.
- ! VAROITUS Varmista, että kaikki lukituslaitteet on lukittu ennen käyttöä.
- ! VAROITUS Varmista vamman välttämiseksi, että lapsi pysyy loitolla, kun tätä tuotetta avataan ja taitellaan.
- ! VAROITUS Älä anna lapsen leikkiä tällä tuotteella.
- ! VAROITUS! Sopiva enintään 22 kg painaville tai enintään 48 kuukauden ikäisille lapsille.
- ! VAROITUS Käytä aina turvaistuinjärjestelmää.
- ! VAROITUS Tarkista, että vaunukopan, istuinyksikön tai auton istuimen kiinnityslaitteet on oikein lukittu ennen käyttöä.
- ! Tämä tuote ei ole sopiva käytettäväksi juostessa tai luistellessa.
- ! Käytä näitä lastenrattaita korkeintaan 22 kg painavalla lapsella. Jos lapsi ylittää nämä rajat, lastenvaunut vahingoittuvat.
- ! Vastasyntyneille käytettäväksi suunniteltuja lastenrattaita on suositeltavaa käyttää kallistuneimmassa asennossa vastasyntyneillä vauvoilla.
- ! Seisontajarru on lukittava, kun lasta asetetaan tai poistetaan.
- ! Estääksesi vaarallisen, epävakaa tilan, älä aseta yli 4,5kg:n painoa säilytyskoriin.
- ! Kupinpidikkeessä oleva suositeltu maksimipaino on 0,5 kg.
- ! Käytä lastenvaunuja vain yhdellä lapsella kerrallaan.
- ! Älä kiinnitä kohteita lastenrattaiden kahvaan, selkänojaan tai sivuille. Kaikki lisäkuorma vaikuttaa lastenrattaiden vakauteen ja voi aiheuttaa niiden kaatumisen.
- ! Mikä tahansa kahvaan ja/tai selkänojan taakse ja/ tai lastenvaunujen sivuille kiinnitetty kuorma vaikuttaa lastenvaunujen vakauteen.
- ! Lisävarusteita, jotka eivät ole valmistajan hyväksymiä, ei tule käyttää. Ainoastaan valmistajan toimittamia tai suosittelomia vaihto-osia saa käyttää.
- ! Lasten turvaistuimet yhdessä alustan kanssa käytettynä eivät korvaa lastensänkyä tai vuodetta. Jos lapsen on nukuttava, laske hänet sopivaan vaunukoppaan, lastensänkyyn tai vuoteeseen.

- ! Tukehtumisen välttämiseksi poista muovipussi ja pakkausmateriaalit ennen tämän tuotteen käyttöä. Muovipussi ja pakkausmateriaalit tulee pitää vauvojen ja lasten ulottumattomissa.
- ! Kantokoppa sopii vain lapselle, joka ei pysty istumaan avustamatta, pyöriä ympäri eikä pysty työntämään itseään ylös käsillään ja polvillaan. Lapsen enimmäispaino: 9 kg.
- ! ÄLÄ käytä tai lisää muuta patjaa kuin kantokopan toimitukseen kuuluvaa.
- ! Kokoamiseen tarvitaan aikuista.
- ! Lue kaikki tämän käyttöoppaan ohjeet ennen tuotteen käyttöä. Säilytä käyttöopas tulevaa käyttöä varten. Näiden varoitusten ja ohjeiden huomiotta jättäminen voi johtaa vakavaan vammaan tai kuolemaan.
- ! Vältäaksesi ulos liukumisesta tai putoamisesta aiheutuvan vakavan vamman, käytä aina turvavyötä.
- ! Varmista, että lapsen keho on irti liikkuvista osista, kun säädät lastenvaunuja.
- ! Älä käytä lastenvaunuja portaissa tai liukuportaissa.
- ! Pidä tuotetta loitolla kuumista kohteista, nesteistä ja elektroniikasta.
- ! Älä koskaan jätä lastenvaunuja teille, rinteisiin tai vaarallisiin paikkoihin.
- ! Kuristumisen välttämiseksi ÄLÄ aseta langallisia esineitä lapsen kaulan ympärille. Ripusta langat tästä tuotteesta tai kiinnitä langat leluihin.
- ! ÄLÄ käytä säilytyskoria lapsen kantokoppana.
- ! Vältäaksesi sormen juuttumisen, ole varovainen taitellessasi tai avatessasi lastenvaunuja.
- ! Varmistaaksesi lapsen turvallisuuden, varmista että kaikki osat on koottu ja kiinnitetty oikein ennen lastenvaunujen käyttöä.
- ! Vältäaksesi kuristumisen, varmista, ettei lapsesi ole takertunut kuomuun.
- ! Lukitse jarrut aina pysäköidessäsi lastenvaunut.
- ! Älä käytä lastenvaunuja, jos ne ovat vahingoittuneet tai rikkoutuneet.
- ! Palovammojen välttämiseksi, älä koskaan aseta kuumia juomia kupinpidikkeeseen.
- ! Tämä tuote soveltuu lapsille 22 kg:n painoon tai 4-vuotiaaksi saakka, kumpi vain toteutuu ensin.

Lastenvaunujen kokoonpano

(Katso kuvat sivulla 1–16)

Lue kaikki tämän käyttöoppaan ohjeet ennen tämän tuotteen kokoamista ja käyttöä.

Lastenvaunujen avaaminen

Katso kuvat 1 - 4

Erota säilytysalpa säilytyskiinnikkeestä ① ja nosta kahva ylöspäin ②, napsahdus tarkoittaa, että lastenvaunut ovat kokonaan auki.

Istuin on käännettävä ④

! Tarkista, että lastenvaunut on lukittu täysin ennen kuin jatkat käyttöä.

Etupyörän kokoaminen ja irrottaminen

Katso kuvat 5 - 6

Takapyörän kokoaminen ja irrottaminen

Katso kuvat 7 - 8

Kokoa kuomu

katso kuvat 9 - 11

Kupinpidikkeen kokoaminen ja irrottaminen

Katso kuvat 12 - 13

Kokonaan kootut lastenvaunut näkyvät kuvassa . ⑭

Lastenvaunujen käyttö

Selkänöjan säätäminen

katso kuva 15

Selkänöjalla on 4 kallistuskulmaa.

Nostaaksesi tai kallistaaksesi selkänöjaa, kierrä istuimen takana olevaa kallistuskahvaa, vedä selkänöjaa alaspäin. ⑮

! Älä paina vapautuspainiketta ⑮ - 3 keskellä kallistuskahvaa, kun säädät kallistuskulmaa.

! Varmista, että kallistus on asetettu oikein käyttöä varten.

! Selkänöjan takana olevan säilytystaskun maksimikuorma on 0,45 kg.

Soljen käyttö

katso kuvat 16 - 17

Soljen vapauttaminen

Paina painiketta, solki vapautuu automaattisesti. ⑯

Soljen lukitseminen

Kohdista vyötäröturvavyön solki hartiasoljen kanssa ⑰ - 1 ja kohdista ne keskisoljen kanssa, solki lukkiutuu automaattisesti. ⑰ - 2 Napsahdus tarkoittaa, että solki on täysin lukittu. ⑰ - 3

! Vältäaksesi putoamisesta tai ulos liukumisesta aiheutuvan vakavan vamman, kiinnitä lapsi aina valjailla.

! Varmista, että lapsi on kiinnitetty tiukasti. Lapsen ja hartiavaljaiden hihnojen välisen tilan on oltava noin kämmenen paksuinen.

! Älä vie hartiavöitä ristiin. Tämä kohdistaa painetta lapsen niskaan.

Hartia- ja vyötärövaljaiden käyttö

Katso kuvat 18 - 23

! Lapsen suojaaminen ulos putoamiselta. Kun lapsi on asetettu istuimelle, tarkista ovatko hartia- ja vyötärövaljaat oikealla korkeudella ja oikean pituisia.

18 - 1 Hartiavaljaiden kiinnityspisteet

18 - 2 Liukusäädin

Suurempien lasten tulee käyttää hartiavaljaiden kiinnityspistettä ja korkeimpia hartiapaikkoja. Pienempien lasten tulee käyttää hartiavaljaiden kiinnityspistettä ja matalimpia hartiapaikkoja.

Hartiavaljaiden kiinnityspisteen säätämiseksi, kierrä kiinnityspiste samalle tasolle eteenpäin suunnatun sivun kanssa. Pujota se hartiavaljaiden aukon läpi takaa eteen. 21 Pujota se uudelleen lähimpänä lapsen hartioiden korkeutta olevan aukon läpi. 22

Voit muuttaa valjaiden pituutta liukusäätimellä. 23 - 1

Paina painiketta 23 - 2 samalla kun vedät vyötärövaljaita oikeaan pituuteen. 23 - 3

Käsituen käyttö

Katso kuvat 24 - 26

Pohjetuen säätäminen

Katso kuvat 27 - 28

Pohjetuella on 2 asentoa.

Laskeaksesi pohjetukea, paina säätöpainikkeita pohjetuen molemmilla puolilla 27 - 1 ja kierrä pohjetukea alaspäin. 27 - 2

Nostaaksesi pohjetukea, työnnä sitä ylöspäin. Naksahdus tarkoittaa, että pohjetuki on täysin lukittu.

Etupyörän kääntölukon käyttö

katso kuvat 29

Kierrä kääntölukkoa vasemmalle lukitaksesi sen. Kierrä kääntölukkoa oikealle vapauttaaksesi sen 29

Vinkki Epätasaisilla pinnoilla on suositeltavaa käyttää kääntölukkoa.

Jarrun käyttö

Katso kuvat 30 - 31

Lukitaksesi pyörät, paina jalalla jarruvipua alaspäin. 30

Vapauttaaksesi pyörät, nosta jarruvipu ylöspäin. 31

Vinkki Käytä seisontajarrua aina, kun lastenvaunut eivät liiku.

Kuomun käyttö

katso kuvat 32 - 34

Kuomun voi avata kokonaan lapsen suojaamiseksi auringolta, avaa vain vetoketju 33 ja vedä sitten kuomua kohti etuosaa.

Kahvan säätäminen

katso kuvat 35

Istuimen vaihtaminen

katso kuvat 36 - 39

Säilytuspussin käyttö

katso kuvat 40

Kummankin korin molemmin puolin sijaitsevan säilytystaskun maksimikuorma on 0,45 kg.

lastenvaunujen taittelu

katso kuvat 41 - 49

- ! Kallistuskahvan keskellä olevaa painiketta käytetään istuimen taittamiseen. 42 - 1
- ! Taitellut lastenvaunut pysyvät pystyssä, kun kahva on matalimmassa asennossa. 46
- ! Säilytysalpa kiinnittyy automaattisesti koukulla säilytyskiinnikkeeseen, lastenvaunut on tällöin taiteltu ja lukittu kokonaan. 46 49

Lisävarusteiden käyttö

Lisävarusteita voidaan myydä erikseen tai niitä ei ole saatavilla alueen mukaan.

Käyttö lasten turvaistuinten kanssa

katso kuvat 50 - 55

Käytettäessä Joie-lasten iGemm 2-, iLevel- ja iSnug-turvakaukaloa, katso seuraavat ohjeet.

- ! Naksahdus tarkoittaa, että sovitin on täysin lukittu.
- ! Jos lasten turvaistuimen käytössä ilmenee ongelmia, katso ohjeet sen omasta käyttöoppaasta.
- ! Älä taita lastenvaunuja, kun lasten turvaistuin on vielä kiinnitetty.

Kantokopan käyttö

katso kuvat 56 - 59

Käytettäessä Joie ramble xl -kantokopan kanssa, katso Seuraavat ohjeet.

- ! Naksahdus tarkoittaa, että sovitin on täysin lukittu.
- ! Käytä kantokoppaa käytettäessä aina patjaa.

! Jos kantokopan käytössä ilmenee ongelmia, katso ohjeet sen omasta käyttöoppaasta.

! Älä taita lastenvaunuja, kun kantokoppa on vielä kiinnitetty.

Sateensuojan käyttö

katso kuvat 60

Sateensuojan kokoamiseksi, aseta se istuimen päälle.

- ! Kun käytät sateensuojaa, tarkista aina sen tuuletus.
- ! Kun sateensuojaa ei käytetä, tarkista aina, että se on puhdistettu ja kuivattu ennen taittelua.
- ! Älä taittele lastenvaunuja sateensuojan kokoamisen jälkeen.
- ! Älä aseta lasta lämpimällä säällä lastenvaunuihin, joihin on asennettu sateensuoja.

Säilytystaskun käyttö

katso kuvat 61 - 66

Säilytystaskun kokonaismaksimipaino saa olla enintään 1 kg. Säilytystaskun voi irrottaa kopasta käytettäväksi erikseen. 66

Lisäosan käyttö

katso kuvat 67 - 68

Pehmyttarvikkeiden irrottaminen ja kokoaminen

katso kuvat 69 - 84

Irrota käsituki, kuten kuvassa 26

Kootaksesi istuimen pehmyttarvikkeet uudelleen, toimi edellä esitettyjen ohjeiden mukaisesti käännettyssä järjestyksessä

84 - 69

Puhdistus ja kunnossapito

katso kuvat 85

- ! Käytä lastenvaunujen kehikon puhdistamiseen ainoastaan astianpesuainetta ja lämmintä vettä. Ei valkaisu- tai pesuaineita. Katso pesumerkistä ohjeet, kuinka lastenvaunujen kangasosat puhdistetaan.
- ! Irrotettavat pehmyttarvikkeet ovat konepestäviä. Ei valkaisuainetta. Älä kuivaa pehmyttarvikkeita ja sisäpehmusteita kiertämällä niitä suurella voimalla. Istuimen päällykseen ja sisäpehmusteisiin voi jäädä ryppyjä.
- ! Tarkista lastenvaunut ajoittain löysien ruuvien, kuluneiden osien, revenneen materiaalin tai ratkenneiden saumojen varalta. Vaihda tai korjaa osat tarpeen mukaan. Pyyhi muoviosat säännöllisesti pehmeällä, kostealla liinalla. Kuivaa aina metalliosat estääksesi ruosteen muodostumisen, jos lastenvaunut joutuvat kosketuksiin veden kanssa.
- ! Liiallinen altistuminen auringolle tai kuumuudelle voi johtaa joidenkin sidontaosien haalistumiseen.
- ! Jos lastenvaunut kastuvat, avaa kuomu ja anna vaunujen kuivua kokonaan ennen varastointia.
- ! Jos pyörät vinkuvat, käytä kevyttä öljyä (esim. silikonisuihke, ruosteenpoistoöljy tai ompelukoneöljy). On tärkeää saada öljy akseli- ja pyöräkokoospanon sisään. 85

- ! Kun käytät lastenvaunuja hiekkarannalla tai muussa hiekkaisessa/pölyisessä ympäristössä, puhdista lastenvaunut käytön jälkeen kauttaaltaan poistaaksesi hiekan ja suolan mekanismeista ja pyöräkoonpanoista.

NO Velkommen til Joie™

Gratulerer med å bli en del av Joie-familien! Vi er så glade for å bli en del av reisen til deg og barnet ditt. Når du er på tur med Joie Finiti™, bruker du en fullsertifisert barnevogn av høy kvalitet, godkjent i henhold til europeiske sikkerhetsstandarder EN 1888-2:2018. Dette produktet er egnet for barn opptil det som kommer først av 22 kg eller 4 år. Les nøye gjennom denne håndboken og følg alle trinn for en behagelig tur der barnet er så godt beskyttet som mulig.

VIKTIG – LES NØYE OG BEHOLD FOR FREMTIDIG OPPSLAG.

Besøk oss på joiebaby.com for å laste ned bruksanvisninger og se flere spennende Joie-produkter.

Du finner garantiinformasjon på vårt nettsted: joiebaby.com

Innhold

| | |
|-------------------------------|------------|
| Figurer | 1-16 |
| ADVARSEL | 263 |
| Montering av barnevogn | 265 |
| Åpne barnevognen | 265 |
| Montere og løsne forhjulet | 265 |
| Montere og løsne bakhjulet | 265 |
| Montere kalesjen | 265 |
| Montere og løsne koppholder | 265 |

| | |
|--|------------|
| Bruk av barnevogn | 266 |
| Justere ryggstøtten | 266 |
| Bruke spennen | 266 |
| Bruke skulder- og midjeseler | 267 |
| Bruke armstangen | 267 |
| Justere leggstøtten | 267 |
| Bruke fremre svingelås | 268 |
| Bruke brems | 268 |
| Bruke kalesje | 268 |
| Justeringshåndtak | 268 |
| Bytte sete | 268 |
| Bruke oppbevaringsvesken | 268 |
| Brette barnevogn | 269 |
| Bruke tilbehør | 269 |
| Løsne og montere de myke delene | 271 |
| Rengjøring og vedlikehold | 271 |

Nødsituasjon

Ved nødstilfeller eller ulykker er det viktigste at barnet blir tatt hånd om med førstehjelp og medisinsk behandling umiddelbart.

Produktinformasjon

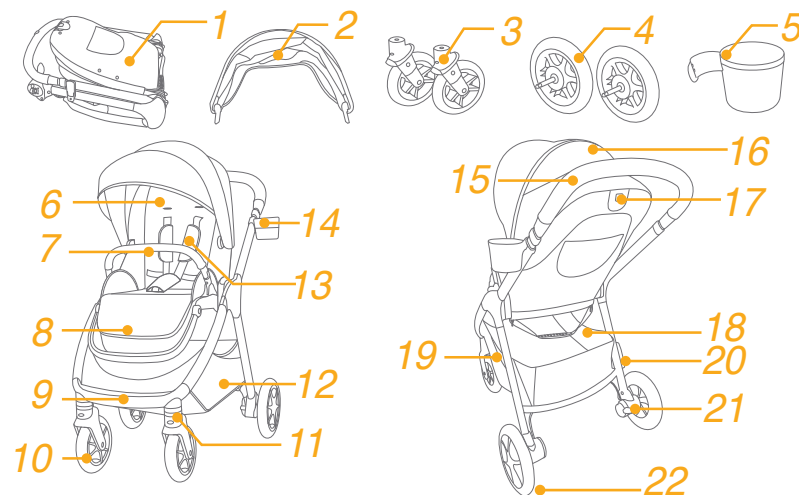
Les alle instruksjonene i denne bruksanvisningen før du bruker dette produktet. Hvis du har flere spørsmål, kan du høre med forhandleren. Noen funksjoner kan variere fra modell til modell

| | |
|-------------------|--|
| Produkt | Finiti Barnevogn |
| Egnet for | Dette produktet er egnet for barn opptil det som kommer først av 22 kg eller 4 år. |
| Materialer | Plast, metall, tekstiler |
| Patentnr. | Patentmeldt |
| Laget i | Kina |
| Merkenavn | Joie |
| Nettsted | www.joiebaby.com |
| Produsent | Allison GmbH |

Deleliste

Påse at du har alle delene før montering. Hvis noen del mangler, kontakter du din lokale forhandler. Det kreves ingen verktøy for montering.

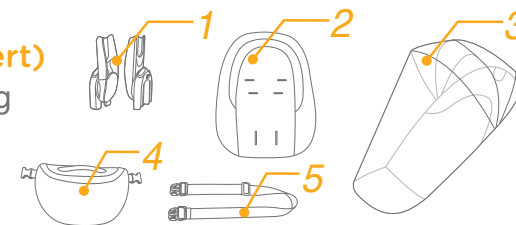
- | | | | |
|----|----------------|----|-----------------------|
| 1 | Barnevognramme | 12 | Oppbevaringskurv |
| 2 | Kalesje | 13 | Skuldersele |
| 3 | Forhjul | 14 | Koppholder |
| 4 | Bakhjul | 15 | Håndtak |
| 5 | Koppholder | 16 | Kalesjevindu |
| 6 | Setepute | 17 | Bakoverleningshåndtak |
| 7 | Armstang | 18 | Oppbevaringsveske |
| 8 | Leggstøtte | 19 | Oppbevaringsveske |
| 9 | Fotstøtte | 20 | Oppbevaringslås |
| 10 | Forhjul | 21 | Bremsepedal |
| 11 | Svinglås | 22 | Bakhjul |



Tilbehør

(Kanskje ikke inkludert)

- | | | | |
|---|-------------------|---|---------|
| 1 | Adapter | 2 | Innlegg |
| 3 | Regntrekk | | |
| 4 | Oppbevaringslomme | | |
| 5 | Bærebelt | | |



Tilbehør kan selges separat eller ikke avhengig av region.

ADVARSEL

- ! ADVARSEL La aldri barnet være uten tilsyn.
- ! ADVARSEL Sørg for at alle låsene er låst før bruk.
- ! ADVARSEL For å unngå skade må du sørge for at barnet holdes vekke når produktet brettes og brettes opp.
- ! ADVARSEL Ikke la barnet leke med dette produktet.
- ! ADVARSEL Egnert for barn opp til 22 kg eller 48 måneder.
- ! ADVARSEL Bruk alltid beltesystemet.
- ! ADVARSEL Kontroller at kroppen til barnevognene, seteenheter eller bilstolfestene er riktig festet før bruk.
- ! Produktet er ikke egnet for løping eller skøyte løp.
- ! Barnevognen skal kun brukes med barn som veier under 22 kg. Barnevognen skades hvis den brukes med et barn den ikke er egnet til.
- ! I sportsvogn designet for bruk fra fødselen av, skal den mest tilbaketente posisjonen brukes for nyfødte babyer.
- ! Parkeringsbremsen skal være aktiv når barn settes i og tas ut.
- ! Ikke legg mer enn 4,5kg i oppbevaringskurven for å hindre farlig ustabilitet.
- ! Maksimalt anbefalt vekt i koppholderen er 1 lb (0,5 kg).
- ! Bruk barnevognen med bare ett barn om gangen.
- ! Ikke fest gjenstander til håndtaket, seteryggen eller sidene av barnevognen. Ekstra belastning vil påvirke stabiliteten til barnevognen og kan gjøre at vognen velter.
- ! En belastning som er festet til håndtaket, på baksiden av ryggstøtten og/eller på sidene av vognen, vil påvirke stabiliteten.
- ! Tilbehør som ikke er godkjent av produsenten, skal ikke brukes. Kun erstatningsdeler som leveres eller anbefales av produsenten, skal brukes.
- ! Barneseter som brukes sammen med undervogn erstatter ikke en barneseng eller en seng. Dersom barnet trenger å sove, må det legges i en egnet barnevogn, barneseng eller seng.

- ! For å unngå kvelning må du fjerne plastposen og emballasjen før du bruker dette produktet. Plastposen og emballasjematerialet skal deretter holdes borte fra babyer og barn.
- ! Bæresengen er kun egnet for et barn som ikke kan sitte opp uten hjelp, rulle på siden og ikke skyve seg opp på hender og knær. Maksimal vekt på barnet: 9 kg.
- ! IKKE bruk eller legg i noen annen madrass enn den som leveres av bæresengen.
- ! Må settes sammen av en voksen.
- ! Les alle instruksjonene i bruksanvisningen før du bruker produktet. Ta vare på bruksanvisningen for fremtidig bruk. Dersom ikke disse advarslene og instruksjonene følges, kan det føre til alvorlig personskade eller dødsfall.
- ! For å unngå alvorlig skade fra fall eller skliing må sikkerhetsbeltet alltid brukes.
- ! Sørg for at kroppen til barnet er fri fra bevegelige deler når du justerer vognen.
- ! Bruk aldri barnevogner på trapper eller rulletrapper.
- ! Hold unna gjenstander med høye temperaturer, væsker og elektronikk.
- ! Plasser aldri vognen på veier, bakker eller farlige steder.
- ! For å unngå kvelning må du ikke plassere gjenstander med en streng rundt barnets nakke, henge strenger fra dette produktet eller fester strenger til leker.
- ! IKKE legg barn i oppbevaringskurven.
- ! For å unngå at fingre setter seg fast må du være forsiktig når du bretter sammen og opp vognen.
- ! For å ivareta sikkerheten til barnet må du sørge for at alle delene er ordentlig montert og festet før du bruker barnevognen.
- ! For å unngå kvelning må du sørge for at barnet ditt holdes godt borte fra kalesjen.
- ! Sett alltid på bremsene når du parkerer vognen.
- ! Slutt å bruke barnevognen hvis den er skadet eller ødelagt.
- ! For å unngå brannskader må du aldri legge varme væsker i koppholderen.
- ! Dette produktet er egnet for barn opptil det som kommer først av 22 kg eller 4 år.

Montering av barnevogn

(Se figurene på side 1-16).

Les alle instruksjonene i denne bruksanvisningen før du monterer og bruker produktet.

Åpne barnevognen

se bilder ① - ④

Ta oppbevaringslåsen av oppbevaringsfestet ①, og løft deretter håndtaket oppover ②. Når det høres et klikk, betyr det at barnevognen er helt åpen.

Setet er reversibelt. ④

! Kontroller at barnevognen er helt låst før du fortsetter å bruke.

Monter og løsne forhjulet

se bilder ⑤ - ⑥

Monter og løsne bakhjulet

se bilder ⑦ - ⑧

Sette sammen kalesjen

se bilder ⑨ - ⑪

Montere og løsne koppholder

se bilder ⑫ - ⑬

Den ferdigmonterte barnevognen er vist som ⑭

Bruk av barnevogn

Justere ryggstøtten

se bilde ⑮

Ryggstøtten kan lenes til 4 vinkler.

For å heve eller lene ryggstøtten dreier du lenehåndtaket på baksiden av setet og trekker ned på ryggstøtten. ⑮

! Ikke trykk utløserknappen ⑮ - 3 på midten av bakoverleningshåndtaket når du justerer lenevinkelen.

! Pass på at lenevinkelen er satt riktig for bruk.

! Den maksimale belastningen til oppbevaringslommen på baksiden av ryggstøtten er 0,45 kg.

Bruke spennen

se bilder ⑯ - ⑰

Frigjøre spennen

Trykk knappen for å frigjøre spennen automatisk. ⑯

Låse spennen

Sett midjebeltespennen på linje med skulderspennen ⑰ - 1, og sett dem på linje med midtspennen slik at spennen låses automatisk. ⑰ - 2 Når du hører et «klikk», betyr det at kalesjen er helt låst. ⑰ - 3

! For å unngå alvorlig skade fra fall eller skliing må barnet alltid sitte med sikkerhetsbelte.

! Sørg for at barnet er godt på plass. Avstanden mellom barnet og skulderbeltet skal være på omtrent tykkelsen til en hånd.

! Ikke kryss skulderbeltene. Det vil forårsake trykk på barnets nakke.

Bruke skulder- og midjeseler

se bilder 18 - 23

! For å beskytte barnet fra å falle ut bør du kontrollere at skulder- og midjebeltene har riktig høyde og lengde etter at barnet settes i setet.

18 - 1 Skulderseleanker

18 - 2 Skyvejustering

For større barn bruker du skulderseleanker A og de øverste skuldersporene. For mindre barn bruker du skulderseleankeret og de nedre skuldersporene.

Juster posisjonen til skulderseleankeret ved å dreie det slik at det er på linje med siden vendt fremover. Tre det gjennom skulderseleslissen bakfra og frem. 21 Tre den igjen gjennom slissen som er nærmest skulderhøyden til barnet. 22

Bruk skyvejusteringen til å endre seleglengden. 23 - 1

trykk knappen 23 - 2 mens du trekker midjeselen til riktig lengde. 23 - 3

Bruke armstangen

se bilder 24 - 26

Justere leggstøtten

se bilder 27 - 28

Leggstøtten har to stillinger.

For å senke leggstøtten trykker du justeringsknappene på begge sider av leggstøtten 27 - 1, og dreier leggstøtten nedover. 27 - 2

Hev leggstøtten ved å trykke den oppover. Når du hører et «klikk», betyr det at leggstøtten er helt låst.

Bruke fremre svingelås

se bilder 29

Drei svingelåsen til venstre for å plasser og høyre for å frigjøre 29

Tips Svinglåsen bør brukes på ujevne overflater.

Bruke bremsen

se bilder 30 - 31

Lås hjulene ved å trække bremsespaken nedover. 30

Løsne hjulene ved å løfte bremsespaken oppover. 31

Tips Slå alltid på parkeringsbremsen når barnevognen står stille.

Bruke kalesjen

se bilder 32 - 34

Kalesjen kan åpnes helt for å beskytte barnet ditt helt mot solen. Bare åpne glidelåsen 33, og trekk kalesjen ut mot forside.

Justeringshåndtak

se bilder 35

Bytte sete

se bilder 36 - 39

Bruke oppbevaringsvesken

se bilder 40

Den maksimale belastningen til hver oppbevaringspose på begge sider av kurven er 0,45 kg.

Brette barnevognen

se bilder 41 - 49

- ! Knappen på midten av bakoverleningshåndtaket brukes til å brette setet. 42 - 1
- ! Når barnevognen er brettet, kan den stå når håndtaket er i laveste stilling. 46
- ! Oppbevaringslåsen hektes automatisk på oppbevaringsfesten, så brettes og låses barnevognen helt. 46 49

Bruke tilbehør

Tilbehør kan selges separat eller ikke avhengig av region.

Bruke med barnesete

se bilder 50 - 55

Når du bruker Joie barnesete sammen med iGemm 2 & iLevel & iSnug, kan du se følgende instruksjoner.

- ! Når du hører et «klikk», betyr det at adapteren er helt låst.
- ! Hvis du har problemer med å bruke barnesetet, må du se de gjeldende instruksjonshåndbøker.
- ! Ikke brett barnevognen når barnesetet fortsatt er satt på.

Bruke bæresengen

se bilder 56 - 59

Når du bruker en Joie ramble xl barneseng, kan du se følgende instruksjoner.

- ! Når du hører et «klikk», betyr det at adapteren er helt låst.
- ! Bruk alltid madrassen når du bruker bæresengen.

! Hvis du har problemer med å bruke bæresengen, må du se de gjeldende instruksjonshåndbøker.

! Ikke brett barnevognen når bæresengen fortsatt er satt på.

Bruke regntrekk

se bilder 60

Sett sammen regntrekket ved å plassere det over setet.

- ! Når du bruker regntrekket, må du alltid sjekke ventilasjonen.
- ! Når du er ferdig med å bruke regntrekket, må det gjøres rent og tørkes før det brettes sammen.
- ! Ikke brett vognen etter at regntrekket er satt på.
- ! Ikke legg barnet i barnevognen sammen med regntrekket på i varmt vær.

Bruke oppbevaringslomme

se bilder 61 - 66

Total maksimal vekt i oppbevaringslommen må ikke overstige 1 kg.

Oppbevaringslommen kan tas ut av kurven for å brukes separat. 66

Bruke innlegget

se bilder 67 - 68

Løsne og montere de myke delene

se bilder 69 - 84

Fjern armstangen som vist i 26

Følg trinnene ovenfor i omvendt rekkefølge for å sette sammen de myke delene til setet 84 - 69

Rengjøring og vedlikehold

se bilder 85

- ! For å rengjøre rammen til barnevognen bruker du bare husholdningssåpe og varmt vann. Ikke bruk blekemiddel eller vaskemiddel. Se på pleieetiketten for instruksjoner om rengjøring av stoffdelene i barnevognen.
- ! Avtakbare myke varer kan vaskes i maskin. Ikke bruk blekemiddel. Ikke vri opp setetrekket og den indre polstringen med stor kraft for å tørke dem. Det kan gjøre at setetrekket og den indre polstringen blir rynket.
- ! Kontroller barnevognen iblant for å se etter løse skruer, slitte deler eller revne materialer eller sømmer. Bytt ut eller reparer delene etter behov. Tørk regelmessig av plastdelene med en myk, fuktig klut. Tørk alltid metalldelene hvis vognen har kommet i kontakt med vann for å forhindre at det kommer rust.
- ! Overdreven eksponering for sol eller varme kan føre til falming eller vridning av deler.
- ! Hvis barnevognen blir våt, må du åpne baldakinen og la den tørke grundig før du lagrer den.
- ! Hvis hjulene knirker, kan du bruke lett olje (f.eks. silisiumspray, antirustolje eller symaskinolje). Det er viktig å få oljen inn i akslingen og hjulenheten. 85
- ! Når barnevognen brukes på stranden eller på et annet sted med mye sand/støv, må den renses helt etterpå for å fjerne sand og salt fra mekanismene og hjulene.

| | |
|-----|-----------------------------------|
| ٢٨٠ | تشغيل عربة الأطفال |
| ٢٨٠ | ضبط مسند الظهر |
| ٢٨٠ | استخدام إبريم الحزام |
| ٢٨١ | استخدام مجموعة أحزمة الكتف والخصر |
| ٢٨١ | استخدام مسند الذراعين |
| ٢٨١ | ضبط مسند الساقين |
| ٢٨٢ | استخدام القفل الدوار الأمامي |
| ٢٨٢ | استخدام المكابح |
| ٢٨٢ | استخدام المظلة |
| ٢٨٢ | ضبط المقبض |
| ٢٨٢ | تبديل المقعد |
| ٢٨٢ | استخدام حقيبة التخزين |
| ٢٨٣ | طي عربة الأطفال |
| ٢٨٣ | استخدام الملحقات |
| ٢٨٥ | فك وتركيب الأجزاء اللينة |
| ٢٨٥ | التنظيف والصيانة |

الطوارئ

في حالات الطوارئ أو الحوادث، يرجى العناية بالطفل عن طريق القيام بالإسعافات الأولية وتقديم العلاج الطبي فوراً.

تهانينا لانضمامك إلى عائلة Joie! إننا في غاية السعادة لاشتراكنا في رحلتك مع طفلك الصغير؛ حيث يضمن لك السير مع Joie Finiti™ أنك تستخدم عربة أطفال عالية الجودة ومعتمدة بالكامل ومطابقة لمعايير السلامة الأوروبية EN 1888-2:2018. هذا المنتج مناسب للاستخدام مع أطفال حتى ٢٢ كجم أو ٤ سنوات، أيهما يأتي أولاً. واتباع كل خطوة فيه لضمان قيادة مريحة وتوفير أفضل حماية لطفلك.

هام: يرجى قراءة التعليمات بعناية والاحتفاظ بها للرجوع إليها مستقبلاً.

زوروا موقعنا الإلكتروني joiebaby.com لتحميل أدلة الاستخدام ومشاهدة منتجات Joie المشوقة!

للاطلاع على معلومات الضمان؛ يرجى زيارة موقعنا على الويب، وعنوانه joiebaby.com

المحتويات

| | |
|------|----------------------------|
| ١٦-١ | الأشكال |
| ٢٧٧ | تحذير |
| ٢٧٩ | تجميع عربة الأطفال |
| ٢٧٩ | فتح عربة الأطفال |
| ٢٧٩ | تركيب وفصل العجلة الأمامية |
| ٢٧٩ | تركيب وفصل العجلة الخلفية |
| ٢٧٩ | تركيب المظلة |
| ٢٧٩ | تركيب وفصل حامل الأكواب |

معلومات المنتج

يرجى قراءة كافة التعليمات الواردة في هذا الدليل قبل استخدام المنتج، وفي حال وجود استفسارات أخرى، يرجى الرجوع إلى الموزع للاستشارة، قد تختلف بعض مزايا المنتج وفقا للطراز.

المنتج

مناسب للاستخدام مع

عربة أطفال Finiti

هذا المنتج مناسب للاستخدام مع أطفال حتى ٢٢ كجم أو ٤ سنوات، أيهما يأتي أولاً.

الخامات

بلاستيك، معدن، قماش

رقم براءة الاختراع

براءات الاختراع المنتظرة

صُنِعَ فِي

الصين

اسم العلامة التجارية

Joie

موقع الويب

www.joiebaby.com

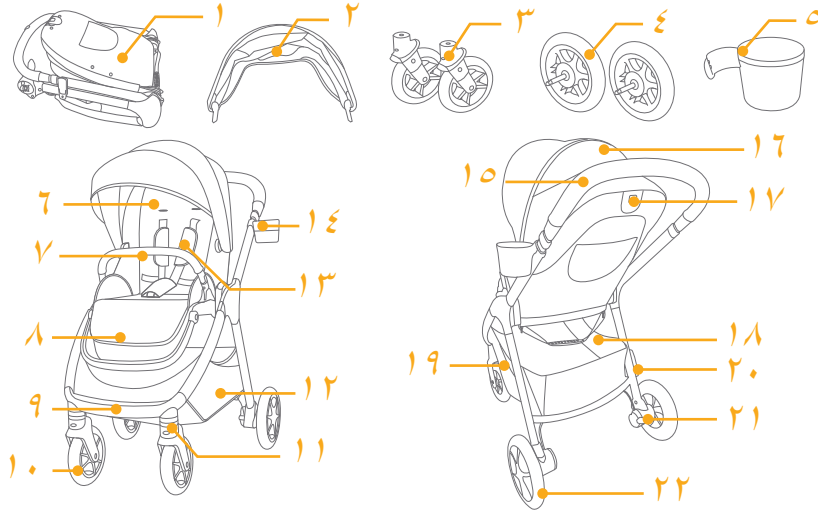
المصنَّع

Allison GmbH

قائمة الأجزاء

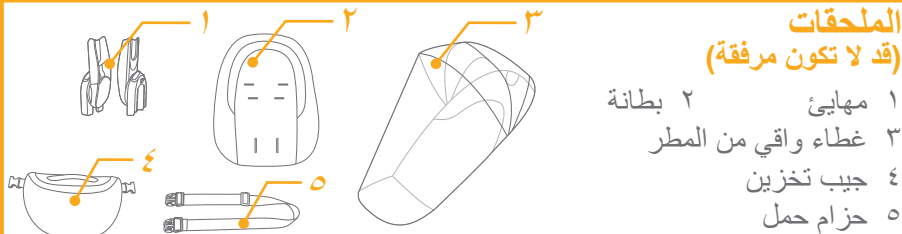
تأكد من توفر جميع الأجزاء قبل التجميع. يرجى الاتصال بالموزع المحلي في حالة غياب أي جزء. لا داعٍ لاستخدام أية أدوات للتجميع.

| | | | |
|----|---------------|----|---------------|
| ١٢ | سلة التخزين | ١ | إطار العربة |
| ١٣ | حزام الكتف | ٢ | المظلة |
| ١٤ | حامل الأكواب | ٣ | عجلة أمامية |
| ١٥ | المقبض | ٤ | عجلة خلفية |
| ١٦ | نافذة المظلة | ٥ | حامل الأكواب |
| ١٧ | مقبض الإمالة | ٦ | وسادة المقعد |
| ١٨ | حقيبة التخزين | ٧ | مسند الذراعين |
| ١٩ | حقيبة التخزين | ٨ | مسند الساقين |
| ٢٠ | مزلاج التخزين | ٩ | مسند القدمين |
| ٢١ | ذراع المكابح | ١٠ | عجلة أمامية |
| ٢٢ | عجلة خلفية | ١١ | الفقل الدوار |



الملحقات

(قد لا تكون مرفقة)



| | |
|---|--------------------|
| ١ | مهايئ |
| ٢ | بطانة |
| ٣ | غطاء واقى من المطر |
| ٤ | حبيب تخزين |
| ٥ | حزام حمل |

قد تباع الملحقات بشكل منفصل، أو قد لا تتوفر حسب المنطقة.

تحذير

- ! لتفادي الاختناق، احرص على إزالة الكيس البلاستيكي ومواد التعبئة قبل استخدام المنتج. والاحتفاظ بهما بعيدا عن متناول الأطفال والرضع.
- ! لا تُستخدم حقيبة حمل الطفل إلا مع الأطفال غير القادرين على الجلوس دون دُعامة وكذلك غير القادرين على دفع أنفسهم لأعلى. الحد الأقصى لوزن الطفل: ٩ كجم
- ! تجنب وضع أي مفارش أو أحشية غير المثبتة بحقيبة حمل الطفل.
- ! يجب تركيب الكرسي بواسطة شخص بالغ.
- ! يُرجى قراءة كل التعليمات الواردة في هذا الدليل قبل استخدام المنتج. يُرجى الاحتفاظ بدليل التعليمات لاستخدامه مستقبلاً. وقد يؤدي عدم مراعاة هذه التحذيرات وإتباع التعليمات إلى وقوع إصابات بالغة أو الوفاة.
- ! احرص على استخدام حزام الأمان دائماً لتفادي وقوع الإصابات البالغة الناتجة عن الوقوع أو الانزلاق.
- ! تأكد من ابتعاد جسد طفلك عن الأجزاء المتحركة عند ضبط العربة.
- ! يُحظر استخدام عربة الأطفال على درج أو سلالم كهربائية.
- ! احرص على إبعاد العربة عن مصادر الحرارة المرتفعة أو السوائل أو الأجهزة الإلكترونية.
- ! يُحظر وضع عربة الأطفال على الطرق أو المنحدرات أو المناطق الخطرة.
- ! لتفادي الاختناق، تجنب وضع أي أجسام مزودة بسلاسل حول رقبة الطفل أو قم بفصل السلاسل عن المنتج أو ربطها في الألعاب.
- ! تجنب وضع الطفل داخل سلة التخزين.
- ! لتجنب انحشار الأصابع، احرص على طيّ العربة أو بسطها بعناية.
- ! لضمان سلامة طفلك، يُرجى التأكد من تركيب كل المكوّنات وإحكام ربطها جيداً قبل استخدام العربة.
- ! لتجنب اختناق طفلك، تأكد من إبعاده عن الغطاء.
- ! احرص على تأمين المكابح عند وقوف العربة.
- ! احرص على عدم استخدام العربة في حال تعرضها للتلف أو الكسر.
- ! تجنب وضع سوائل ساخنة في حامل الأكواب لتفادي الإصابة بحروق.
- ! هذا المنتج مناسب للاستخدام مع أطفال حتى ٢٢ كجم أو ٤ سنوات، أيهما يأتي أولاً.

- ! تحذير: لا تترك الطفل أبداً دون مراقبة.
- ! تحذير: تأكد من تعشيق جميع الأقفال قبل الاستخدام.
- ! تحذير: لتجنب الإصابة، تأكد من إبقاء الطفل بعيداً عند فتح هذا المنتج أو طيه.
- ! تحذير: لا تدع الطفل يعبث بهذا المنتج.
- ! تحذير: مناسب للأطفال حتى ٢٢ كجم أو حتى ٤٨ شهراً.
- ! تحذير احرص دائماً على استخدام نظام تقييد حركة الطفل.
- ! "تحذير" تحقق من تأمين هيكل العربة أو أدوات تثبيت وحدة المقعد أو مقعد السيارة ومن صحة تعشيقها قبل الاستخدام.
- ! هذا المنتج غير مناسب للاستخدام أثناء الجري أو التزحلق.
- ! استخدم عربة الأطفال مع طفل يقل وزنه عن ٢٢ كجم. حيث إن استخدام العربة لحمل طفل زائد الوزن سيؤدي إلى تلفها.
- ! صُممت عربة الأطفال لاستخدامها منذ لحظة الولادة، ويفضل استخدام وضعية الانحناء المُصممة خصيصاً للأطفال حديثي الولادة.
- ! يجب تأمين المكابح عند وضع الطفل في العربة وإخراجه منها.
- ! لتفادي الحالات الخطرة أو غير المستقرة، لا تضع عناصر يزيد وزنها على ٤,٥ كجم في سلة التخزين.
- ! الحد الأقصى للوزن الموصى به في حامل الأكواب هو رطل واحد (٠,٥ كجم).
- ! استخدم العربة لحمل طفل واحد فقط في كل مرة.
- ! لا تربط أشياء بالمقبض أو ظهر المقعد أو جوانب عربة الأطفال. فإن أي حمل إضافي يؤثر على ثبات عربة الأطفال وقد يتسبب في انقلابها.
- ! لا تربط أشياء بالمقبض أو ظهر المقعد أو جوانب عربة الأطفال لأنها ستؤثر على ثبات العربة.
- ! يجب عدم استخدام قطع الغيار غير المعتمدة من قبل الجهة المُصنّعة. فيجب عدم استخدام إلا قطع الغيار المرفقة أو الموصى بها من قبل الجهة المُصنّعة.
- ! لا تستبدل هذه العربة بسرير الطفل أو الفراش وذلك في أنظمة تقييد حركة الطفل المقترن بهيكل السيارة. وفي حالة رغبة الطفل في النوم، يجب وضعه في عربة الطفل أو حقيبة حمل أو سرير ملائمين.

تركيب عربة الأطفال

(يرجى الرجوع إلى الأشكال الموضحة بالصفحات ١-١٦)

يرجى قراءة كل التعليمات الواردة في هذا الدليل قبل تجميع المنتج واستخدامه.

فتح عربة الأطفال

راجع الصور ١ - ٤

افصل مزلاج التخزين عن حامل التخزين ١، ثم ارفع المقبض لأعلى ٢؛ حيث يشير سماع صوت نقرة إلى فتح العربة بالكامل. يمكن استخدام المقعد على الوجهين ٤. ! تحقق من قفل مزلاج العربة بالكامل قبل المتابعة.

تركيب العجلة الأمامية وفكها

راجع الصور ٥ - ٦

تركيب وفك العجلات الخلفية

راجع الصور ٧ - ٨

تركيب المظلة

راجع الصور ٩ - ١١

تركيب وفصل حامل الأكواب

راجع الصور ١٢ - ١٣

تم توضيح تعليمات تركيب العربة بالكامل على النحو ١٤

تشغيل العربة

ضبط مسند الظهر

راجع الصورة ١٥

صُمم مسند الظهر بأربع زوايا إمالة.

لرفع مسند الظهر أو إمالته للخلف، لف مقبض الإمالة الموجود في خلف المقعد، واسحب مسند الظهر لأسفل. ١٥

! يرجى عدم الضغط على زر التحرير ١٥ - ٣ في منتصف مقبض الإمالة عند ضبط زاوية الإمالة.

! تأكد من ضبط الإمالة على وضع مناسب للاستخدام.

! الحد الأقصى لحمولة جيب التخزين الموجود خلف مسند الظهر هو ٠,٤٥ كجم.

استخدام إبزيم الحزام

راجع الصور ١٦ - ١٧

تحرير الإبزيم

اضغط على الزر وسيتم تحرير الإبزيم تلقائياً. ١٦

قفل الإبزيم

طابق بين إبزيم حزام الخصر وإبزيم حزام الكتف ١٧ - ١، وقم بمحاذاتهما مع الإبزيم الأوسط، ويمكن عندئذٍ قفل الإبزيم تلقائياً. ١٧ - ٢ يشير سماع صوت "نقرة" إلى قفل الإبزيم بالكامل. ١٧ - ٣

! لتفادي وقوع إصابات بالغة ناجمة من الوقوع أو الانزلاق، احرص دائماً على تأمين طفلك باستخدام الحزام.

! تأكد من تثبيت طفلك بإحكام، وأن المسافة بين الطفل ومجموعة أحزمة الكتف تساوي سُمك يد واحدة تقريباً.

! لا تضع أحزمة الكتف بشكل متقاطع؛ فهذا سيؤدي إلى الضغط على رقبة الطفل.

استخدام أحزمة الكتف والخصر

راجع الصور ١٨ - ٢٣

! لحماية طفلك من السقوط بعد وضعه في المقعد، تحقق من وجود مجموعتي أحزمة الكتف والخصر على ارتفاع وطول مناسبين.

١ - ١٨ نقطة تثبيت مجموعة أحزمة الكتف

٢ - ١٨ ضابط منزلق

استخدم مثبت حزام الكتف والفتحات العلوية للحزام مع الأطفال ذوي الحجم الكبير. استخدم مثبت حزام الكتف والفتحات السفلية للحزام مع الأطفال ذوي الحجم الصغير.

لضبط وضع مثبت حزام الكتف، قم بإدارة المثبت ليكون في نفس مستوى الجانب المتجه للأمام. أدخل الحزام عبر فتحة حزام الكتف من الخلف إلى الأمام. ١١ وقم بإعادة إدخاله من خلال الفتحة الأقرب لمستوى ارتفاع كتف الطفل. ١٢

استخدم ضابط الانزلاق لتغيير طول الحزام. ٢٢ - ١

اضغط على الزر ٢٢ - ٢ أثناء سحب مجموعة أحزمة الخصر إلى الطول المناسب.

٢٢ - ٣

استخدام مسند الذراعين

راجع الصور ٢٤ - ٢٦

ضبط مسند الساقين

راجع الصور ٢٧ - ٢٨

يوجد موضعان لضبط مسند الساقين.

لخفض مسند الساقين، اضغط على زري الضبط في كلا جانبي مسند الساقين ٢٧ - ١ ثم

لف مسند الساقين لأسفل. ٢٧ - ٢

لرفع مسند الساقين، ادفعه لأعلى. ويشير سماع صوت "نقرة" إلى قفل مسند الساقين بالكامل.

استخدام القفل الدوار الأمامي

راجع الصور ٢٩

لف القفل الدوار إلى اليسار للتوجيه، لف القفل الدوار إلى اليمين للتحريك ٢٩

تلميح يوصى باستخدام القفل الدوار على أسطح غير مستوية.

استخدام المكابح

راجع الصور ٣٠ - ٣١

لإيقاف حركة العجلات، اضغط على لسان المكبح نحو الأسفل. ٣٠

لتحرير حركة العجلات، ما عليك سوى رفع لسان المكبح. ٣١

تلميح احرص دائماً على تأمين المكابح عند وقوف العربة.

استخدام المظلة

راجع الصور ٣٢ - ٣٤

يمكن فتح الغطاء تماماً لحماية طفلك من أشعة الشمس، حيث إن كل ما عليك فعله هو فك السوستة ٣٢، ثم اسحب الغطاء في الاتجاه الأمامي.

ضبط المقبض

راجع الصور ٣٥

تبديل وضع المقعد

راجع الصور ٣٦ - ٣٩

استخدام حقيبة التخزين

راجع الصور ٤٠

الحد الأقصى لحمولة كل حقيبة تخزين في كلا جانبي السلة هو ٠,٤٥ كجم.

طي العربية

راجع الصور ٤١ - ٤٩

! يُرجى الرجوع إلى دليل التعليمات الخاص بحقائب حمل الطفل عند مواجهة أية مشكلة أثناء استخدامها.

! يرجى عدم طي العربية وحقبية حمل الطفل ما زالت مركبة بها.

استخدام الغطاء الواقي من المطر

راجع الصور ٤٥

لتركيب غطاء المطر، ضعه أعلى المقعد.

! عند استخدام الغطاء الواقي من المطر، يرجى التأكد من تهويته باستمرار.

! في حالة عدم استخدام الغطاء الواقي من المطر، تأكد من تنظيفه وتجفيفه قبل طيه.

! يُرجى عدم طيّ العربية بعد تركيب الغطاء.

! تجنب وضع الطفل في عربة الأطفال المثبت بها الغطاء الواقي من المطر في حالة الطقس الحار.

استخدام جيب التخزين

راجع الصور ٤١ - ٤٢

يجب ألا يزيد إجمالي الحمولة القصوى لجيب التخزين عن ١ كجم.

يمكنك إزالة جيب التخزين من السلة لاستخدامه بشكل منفصل. ٤٢

استخدام البطانة

راجع الصور ٤٧ - ٤٨

! يستخدم الزر الموجود في منتصف مقبض الانحناء لطي المقعد. ٤٢ - ٤١

! يمكن إيقاف العربية المطوية في وضعية عمودية عندما يكون المقبض في الموضع الأدنى. ٤٦

! وهنا سيتعلق مزلاج التخزين بصورة أوتوماتيكية بمزلاج التثبيت، ثم تُطوى العربية بالكامل ويُحكم إغلاقها. ٤٦ ٤٩

استخدام الملحقات

قد يتم بيع الملحقات فردياً أو قد لا تكون متاحة وفقاً للمنطقة.

الاستخدام مع نظام تقييد حركة الطفل

راجع الصور ٥٠ - ٥٥

عند الاستخدام مع نظام تقييد حركة الطفل iGem ٢ أو iLevel أو iSnug من Joie، يرجى اتباع التعليمات التالية:

! يشير سماع صوت "نقرة" إلى قفل المهائى بالكامل.

! يُرجى الرجوع إلى دليل التعليمات الخاص بنظام تقييد حركة الطفل، عند مواجهة أية مشكلة أثناء استخدامها.

! برجاء عدم طي العربية في الوقت الذي لا يزال فيه نظام تقييد حركة الطفل مركباً.

استخدام حقبية حمل الطفل

راجع الصور ٥٦ - ٥٩

عند الاستخدام مع حقبية تجوال الأطفال الكبيرة من Joie، يُرجى اتباع التعليمات التالية.

! يشير سماع صوت "نقرة" إلى قفل المهائى بالكامل.

! استخدم المرتبة دائماً عند استخدام حقبية حمل الطفل.

فك وتركيب الأجزاء اللينة

راجع الصور ٦٩ - ٨٤

فك مسند الذراع كما هو موضح في ٦٦

لإعادة تركيب أجزاء المقعد اللينة، اتبع الخطوات الواردة أعلاه بترتيب عكسي ٨٤ - ٦٩

التنظيف والصيانة

راجع الصور ٨٥

- ! لتنظيف إطار العربة، استخدم صابونًا منزليًا وماء دافئًا فقط. ويحظر استخدام أية منظفات أو مبيضات. يُرجى الرجوع إلى ملصق العناية للحصول على تعليمات حول تنظيف قطع قماش العربة.
- ! يمكن غسل الأجزاء اللينة القابلة للإزالة في الغسالة. ويحظر استخدام المبيضات. تجنب عصر غطاء المقعد والبطانة الداخلية لتجفيفهما بقوة مفرطة؛ وإلا، فقد تتكون تجاعيد في الغطاء والبطانة.
- ! تحقق من وقت لآخر من عدم وجود أجزاء تالفة أو أقمشة ممزقة أو براغي مفكوكة أو غرز خياطة ممزقة. واحرص على استبدال الأجزاء التالفة أو إصلاحها عند الحاجة. امسح الأجزاء البلاستيكية ونظفها بصورة دورية باستخدام قطعة قماش مبللة. قم بتجفيف الأجزاء المعدنية دائمًا لتجنب تكوين الصدأ، في حالة تعرض العربة للماء.
- ! قد يتسبب التعرض المفرط لأشعة الشمس أو الحرارة في بهتان ألوان الأجزاء وانبعاجها.
- ! في حالة بلل عربة الأطفال، افتح الغطاء واتركها لتجف جيدًا قبل تخزينها.
- ! إذا سمعت صرير من العجلات، فاستخدم زيتًا خفيفًا (مثل بخاخ سيلكون أو زيت مقاوم للصدأ أو زيت ماكينة خياطة). ويوصى بوضع الزيت داخل تركيبات العجلات والمحور. ٨٥
- ! عند استخدام عربة الأطفال على الشاطئ أو على أي بيئة رملية/ملبدة بالغبار، احرص على تنظيف تركيبات العجل والمعدات من الرمال والملح جيدًا بعد الاستخدام.

LT Sveiki! Tai – „Joie™“!

Sveikiname tapus „Joie“ šeimos dalimi! Mes labai džiaugiamės galėdami būti jūsų ir jūsų mažylio kelionės dalimi. Naudodami „Joie Finiti™“, džiaugsitės visapusiškai sertifikuotu aukštos kokybės vaikišku vežimėliu, patvirtintu pagal Europos saugos standartus EN 1888-2:2018. Šis gaminytinka vaikams iki 22 kg svorio arba 4 metų amžiaus, atsižvelgiant į tai, kas įvyksta pirmiau. Atidžiai perskaitykite šią naudojimo instrukciją ir vykdykite kiekvieną veiksmą, kad užtikrintumėte patogų vežiojimą ir geriausią vaiko apsaugą.

SVARBU! ATIDŽIAI PERSKAITYKITE IR IŠSAUGOKITE ATEIČIAI.

Apsilankykite mūsų svetainėje joiebaby.com ir atsisiųskite naudojimo instrukcijas bei pasidomėkite kitais įdomiais „Joie“ gaminiais!

Informacijos apie garantiją rasite apsilankę mūsų tinklapyje joiebaby.com.

Turinys

| | |
|---|------------|
| Pav. | 1-16 |
| ĮSPĖJIMAS | 291 |
| Vaikiško vežimėlio surinkimas | 293 |
| Vežimėlio išlankstymas | 293 |
| Priekinių ratukų sumontavimas ir išmontavimas | 293 |
| Galinių ratukų sumontavimas ir išmontavimas | 293 |
| Stogelio montavimas | 293 |
| Puodelio laikiklio sumontavimas ir išmontavimas | 293 |

| | |
|--|------------|
| Vaikiško vežimėlio naudojimas | 294 |
| Nugaros atlošo reguliavimas | 294 |
| Sagties naudojimas | 294 |
| Perpetinių ir juosmens diržų naudojimas | 295 |
| Ranktūrio naudojimas | 295 |
| Blauzdų atramos reguliavimas | 295 |
| Priekinio šarnyro fiksatoriaus naudojimas | 296 |
| Stabdžių naudojimas | 296 |
| Stogelio naudojimas | 296 |
| Rankenos reguliavimas | 296 |
| Sėdynės apsikimas | 296 |
| Krepšio daiktams naudojimas | 296 |
| Vaikiško vežimėlio sulankstymas | 297 |
| Priedų naudojimas | 297 |
| Minkštųjų dalių nuėmimas ir uždėjimas | 299 |
| Valymas ir priežiūra | 299 |

Skubus atvejis

Skubaus arba nelaimingo atsitikimo atveju svarbiausia, kad jūsų vaikui būtų nedelsiant suteikta pirmoji pagalba ir medicininis gydymas.

Informacija apie gaminį

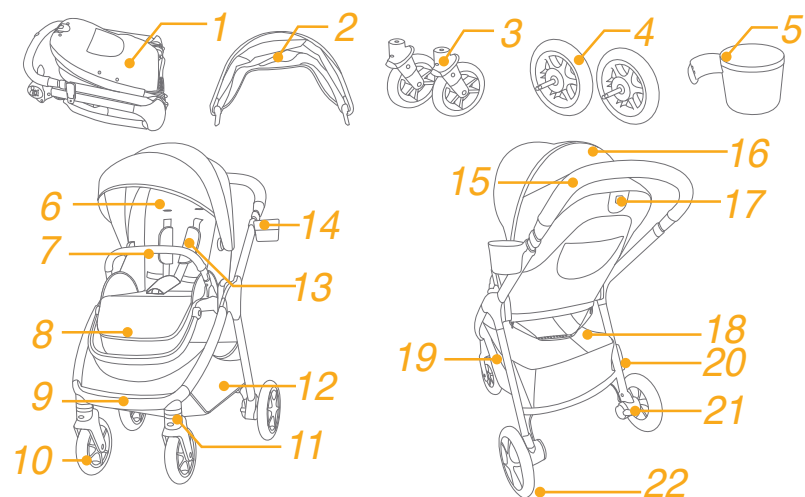
Prieš naudodamiesi šiuo gaminiu atidžiai perskaitykite šią naudojimo instrukciją. Jeigu kiltų papildomų klausimų, pasikonsultuokite su pardavėju. Tam tikros funkcijos gali skirtis ir priklausyti nuo modelio.

| | |
|-----------------------------|---|
| Gaminys | Vaikiškas vežimėlis „Finiti Stroller“ |
| Tinka | Šis gaminys tinka vaikams iki 22 kg svorio arba 4 metų amžiaus, atsižvelgiant į tai, kas įvyksta pirmiau. |
| Medžiagos | Plastikas, metalas, audiniai |
| Patento Nr. | Patentas pateiktas registruoti |
| Pagaminta | Kinijoje |
| Firminis pavadinimas | Joie |
| Interneto svetainė | www.joiebaby.com |
| Gamintojas | Allison GmbH |

Dalių sąrašas

Prieš surinkdami vežimėlį įsitikinkite, kad yra visos dalys. Jei trūksta kurios nors dalies, susisieki su pardavėju. Gaminiai surinkti nereikia jokių įrankių.

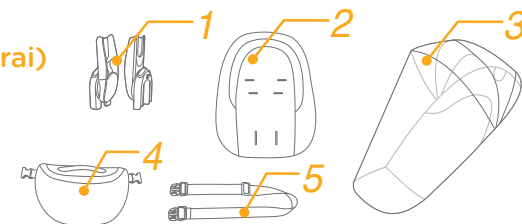
- | | | | |
|----|--------------------------|----|---------------------|
| 1 | Vaikiško vežimėlio rėmas | 12 | Krepšys daiktams |
| 2 | Stogelis | 13 | Perpetinis diržas |
| 3 | Priekinis ratukas | 14 | Puodelio laikiklis |
| 4 | Galinis ratukas | 15 | Rankena |
| 5 | Puodelio laikiklis | 16 | Stoglangis |
| 6 | Sėdynės paklotas | 17 | Atlošo rankena |
| 7 | Ranktūris | 18 | Krepšys daiktams |
| 8 | Blauzdų atrama | 19 | Krepšys daiktams |
| 9 | Pakojas | 20 | Krepšio fiksatorius |
| 10 | Priekinis ratukas | 21 | Stabdžių svirtis |
| 11 | Šarnyro fiksatorius | 22 | Galinis ratukas |



Priedai

(gali būti įsigijami atskirai)

- | | | | |
|---|---------------------------|---|---------|
| 1 | Adapteris | 2 | Įdėklas |
| 3 | Danga nuo lietaus | | |
| 4 | Kišenėlė daiktams laikyti | | |
| 5 | Nešiojimo diržas | | |



Priedai gali būti parduodami atskirai arba visai neparduodami, atsižvelgiant į regioną.

ĮSPĖJIMAS

- ! ĮSPĖJIMAS! Niekada nepalikite vaiko be priežiūros.
- ! ĮSPĖJIMAS! Prieš naudodami įsitikinkite, kad visi fiksavimo įtaisai yra užfiksuoti.
- ! ĮSPĖJIMAS! Išlankstydami ir sulankstydami šį gaminį užtikrinkite, kad vaikas būtų atokiai, kad išvengtumėte sužalojimų.
- ! ĮSPĖJIMAS! Neleiskite vaikui žaisti su šiuo gaminiu.
- ! ĮSPĖJIMAS! Tinka vaikams iki 22 kg svorio arba iki 48 mėnesių amžiaus.
- ! ĮSPĖJIMAS! Visada naudokite apsaugos sistemą.
- ! ĮSPĖJIMAS! Prieš naudodami patikrinkite, ar vežimėlio rėmo, sėdynės arba automobilinės kėdutės tvirtinimo įtaisai yra tinkamai užfiksuoti.
- ! Šis gaminys nėra tinkamas naudoti bėgiojant ar čiuožiant.
- ! Vežimėlį naudokite vaikui, sveriančiam mažiau nei 22 kg. Vežimėlis suges, jei juo vežiosite per didelio svorio vaiką.
- ! Vaikiškas vežimėlis skirtas naudoti nuo pat gimimo; naujagimiams atlošą rekomenduojama visiškai nuleisti.
- ! Sodinant ar guldant vaikus ir iškeliant juos iš vežimėlio, privaloma įjungti vežimėlio stabdžius.
- ! Į krepšį daiktams laikyti nedėkite daugiau nei 4,5 kg, kad nekiltų pavojingų sąlygų ir vežimėlis neprarastų stabilumo.
- ! Puodelio laikiklyje rekomenduojama laikyti ne didesnę nei 1 svaro (0,5 kg) svorį.
- ! Vežimėlyje vienu metu vežkite tik vieną vaiką.
- ! Nedėkite jokių daiktų ant vežimėlio rankenos, sėdynės atlošo ar šonų. Bet kokia papildoma apkrova turės įtakos vežimėlio stabilumui, todėl vežimėlis galės pasvirti ir apvirti.
- ! Bet kokia apkrova, pritvirtinta prie rankenos ir (arba) atlošo galo ir (arba) vežimėlio šonų, turės įtakos vežimėlio stabilumui.
- ! Draudžiama naudoti gamintojo nepatvirtintus priedus. Rekomenduojama naudoti tik pateiktąsias arba gamintojo rekomenduojamas atsargines dalis.
- ! Naudojant šio vežimėlio rėmą su automobilinėmis kėdutėmis ar išimamais lopšiais, jis neatstoja vaikiškos lovelės ar lovos. Jei jūsų vaikui reikia miegoti, jį privaloma paguldyti į tam tinkamą vaikišką vežimėlį, vaikišką lovelę ar lovą.

- ! Prieš pradėdami naudoti šį gaminį, nuimkite plastikinį maišelį ir pakavimo medžiagas, kad vaikas neuždustų. Plastikinį maišelį ir pakavimo medžiagas reikia laikyti kūdikiams ir vaikams nepasiekiamoje vietoje.
- ! Šis nešiojamasis lopšys tinka tik vaikui, kuris pats dar negali sėdėti, apsiversti bei atsikelti pasiremdamas savo rankomis ir keliais. Maksimalus vaiko svoris: 9 kg.
- ! NENAUDOKITE ir ne pridėkite jokių čiužinių, išskyrus pateiktąjį su nešiojamuoju lopšiu.
- ! Gaminį privalo surinkti suaugęs asmuo.
- ! Prieš naudodamiesi gaminiu, atidžiai perskaitykite jo naudojimo instrukciją. Išsaugokite naudojimo instrukciją ateičiai. Nesilaikant šių atsargumo priemonių ir nurodymų, kyla sunkių sužalojimų arba mirties pavojus.
- ! Visada naudokite saugos diržą, kad vaikas neišslystų, nenukristų ir nesusižalotų.
- ! Reguluodami vežimėlį įsitikinkite, kad vaiko kūnas yra atokiai nuo judančių dalių.
- ! Niekada nevežkite vežimėlio laiptais ar eskalatoriumi.
- ! Saugokite vežimėlį nuo aukštos temperatūros daiktų, skysčių ir elektronikos prietaisų.
- ! Niekada nestatykite vežimėlio ant kelio, šlaito ar pavojingoje vietoje.
- ! NEKABINITE vaikui ant kaklo daiktų ant virvelių, nekabinkite ant vežimėlio grandinėlių ir nepritvirtinkite žaislų raišteliais, kad vaikas netyčia nepasismaugtų.
- ! NENAUDOKITE daiktams skirto krepšio vaikui nešti.
- ! Būkite atsargūs sulankstydami ir išskleisdami vežimėlį, kad neprispaustumėte pirštų.
- ! Norėdami užtikrinti vaiko saugumą, prieš naudodami vežimėlį įsitikinkite, kad visos dalys yra tinkamai surinktos ir pritvirtintos.
- ! Vaikas privalo neliesti stogelio, kad netyčia nepasismaugtų.
- ! Pastatydami vežimėlį, visada įjunkite stabdžius.
- ! Nenaudokite vežimėlio, jei jis yra sugadintas ar sulaužytas.
- ! Norėdami išvengti nudegimų, niekada nepilkite į puodelį karštų skysčių.
- ! Šis gaminys tinka vaikams iki 22 kg svorio arba 4 metų amžiaus, atsižvelgiant į tai, kas įvyksta pirmiau.

Vaikiško vežimėlio surinkimas

(Žr. 1–16 puslapiuose esančius paveikslėlius)

Prieš surinkdami šį gaminį ir juo naudodamiesi, atidžiai perskaitykite visą naudojimo instrukciją.

Vežimėlio išlankstymas

žr. pav. 1 - 4

Atlenkite fiksavimo skląstį ①, tada pasukite rankeną aukštyn ② – pasigirdęs spragtelėjimas reikš, kad vežimėlis yra visiškai paruoštas išskleisti.

Sėdynę galima apsukti. ④

! Prieš naudodami, patikrinkite, ar vaikiškas vežimėlis yra visiškai užfiksuotas.

Priekinių ratukų sumontavimas ir išmontavimas

žr. pav. 5 - 6

Galinių ratukų sumontavimas ir išmontavimas

žr. pav. 7 - 8

Stogelio montavimas

žr. pav. 9 - 11

Puodelio laikiklio sumontavimas ir išmontavimas

žr. pav. 12 - 13

Visiškai surinktas vežimėlis privalo atrodyti taip, kaip pavaizduota ⑭

Vaikiško vežimėlio naudojimas

Nugaros atlošo reguliavimas

žr. pav. 15

Nugaros atlošą galima atlošti 4 kampais.

Norėdami pakelti ar atlošti atlošą, pasukite atlošo rankeną ant sėdynės atlošo, tada patraukite atlošą žemyn. ⑮

! Nespauskite atlošo rankenos viduryje esančio atlaisvinimo mygtuko ⑮ - 3 reguliuodami atlošo kampą.

! Įsitikinkite, kad atlošas yra tinkamai nustatytas.

! Į nugaros atlošo gale esantį krepšį galima dėti ne daugiau nei 0,45 kg svorio daiktų.

Sagties naudojimas

žr. pav. 16 - 17

Atsekite sagtį

Paspauskite mygtuką ir sagtis bus automatiškai atsegta. ⑯

Fiksavimo sąvara

Pritaikykite juosmens diržo sagtį prie perpetinio diržo sagties ⑰ - 1 ir sulygiuokite jas su centrine sagtimi; sagtis gali užsisegti automatiškai. ⑰ - 2 Pasigirdęs spragtelėjimas reiškia, kad sagtis yra tinkamai užsegta. ⑰ - 3

! Visada prisekite vaiką diržais, kad jis neišslystų, nenukristų ir sunkiai nesusižalotų.

! Patikrinkite, ar vaikas yra tinkamai pritvirtintas, ar diržai neatsilaisvinę. Tarp vaiko ir perpetinių diržų privaloma palikti maždaug vienos rankos pločio tarpą.

! Nesukryžiuokite perpetinių diržų. Antraip galite suspausti vaiko kaklą.

Perpetinių ir juosmens diržų naudojimas

žr. pav. 18 - 23

! Kad vaikas neiškristų, pasodinę ar paguldę vaiką ant sėdynės, patikrinkite, ar perpetiniai ir juosmens diržai yra tinkamame aukštyje ir ar jie yra tinkamo ilgio.

18 - 1 Perpetinio diržo fiksatorius

18 - 2 Slinkimo reguliatorius

Didesniam vaikui naudokite perpetinių diržų fiksatorių ir aukščiausiai esančias angas perpetiniams diržams.

Mažesniam vaikui naudokite perpetinių diržų fiksatorių ir žemiausiai esančias angas perpetiniams diržams.

Norėdami sureguliuoti perpetinių diržų fiksatoriaus padėtį, pasukite fiksatorių taip, kad jo šonas būtų nukreiptas į priekį. Prakiškite jį pro perpetinių diržų angą iš galo į priekį. 21 Dar kartą perkiškite jį pro angą, kuri yra arčiausiai vaiko pečių aukščio. 22

Norėdami pakeisti diržų ilgį, naudokite slinkimo reguliatorių.

23 - 1

Paspauskite mygtuką 23 - 2, tuo pat metu ištraukdami juosmens diržus iki tinkamo ilgio. 23 - 3

Ranktūrio naudojimas

žr. pav. 24 - 26

Blauzdų atramos reguliavimas

žr. pav. 27 - 28

Blauzdų atrama turi 2 padėtis.

Norėdami nuleisti blauzdos atramą, paspauskite reguliavimo mygtukus abiejose blauzdos atramos pusėse 27 - 1 ir nuleiskite blauzdos atramą žemyn. 27 - 2

Norėdami pakelti blauzdos atramą, pakelkite ją į viršų. Pasigirdęs spragtelėjimas reiškia, kad blauzdų atrama yra tinkamai užfiksuota.

Priekinio šarnyro fiksatoriaus naudojimas

žr. pav. 29

Pasukite šarnyro fiksatorių į kairę, jei norite užfiksuoti, arba į dešinę, jei norite atlaisvinti. 29

Patarimas Važiuojant nelygiomis vietovėmis, šarnyrą rekomenduojama užfiksuoti, kad nesisukiotų.

Stabdžių naudojimas

žr. pav. 30 - 31

Norėdami užblokuoti ratukus, paspauskite stabdžių svirtį žemyn. 30

Norėdami atlaisvinti ratukus, tiesiog pakelkite stabdžių svirtį į viršų. 31

Patarimas Visada įjunkite stovėjimo stabdį, kai vežimėlis nejuda.

Stogelio naudojimas

žr. pav. 32 - 34

Stogelį galima visiškai išskleisti, kad jūsų vaikas būtų visiškai apsaugotas nuo saulės – tiesiog atsekite užtrauktuką 33 ir patraukite stogelį į priekį.

Rankenos reguliavimas

žr. pav. 35

Sėdynės apsukimas

žr. pav. 36 - 39

Krepšio daiktams naudojimas

žr. pav. 40

Į kiekvienoje krepšio pusėje esantį krepšelį galima dėti ne daugiau nei po 0,45 kg svorio daiktų.

Vaikiško vežimėlio sulankstymas

žr. pav. 41 - 49

- ! Sėdynei sudėti naudojamas mygtukas yra atlošiamos rankenos viduryje. 42 - 1
- ! Sulankstytas vežimėlis gali stovėti, kai rankena yra žemiausioje padėtyje. 46
- ! Fiksavimo skląstis automatiškai užsikabins už fiksavimo laikiklio, tuomet vežimėlis bus sudėtas ir visiškai užfiksuotas. 46 49

Priedų naudojimas

Priedai gali būti parduodami atskirai arba visai neparduodami, atsižvelgiant į regioną.

Naudojimas su kūdikio lopšiu

žr. pav. 50 - 55

- Naudodami „Joie“ kūdikių apsaugos sistemas „iGemm 2“, „iLevel“ ir „iSnug“, vadovaukitės toliau pateiktais nurodymais.
- ! Pasigirdęs spragtelėjimas reiškia, kad adapteris yra tinkamai užfiksuotas.
 - ! Jei kiltų kokių nors problemų dėl kūdikio apsaugos sistemos naudojimo, skaitykite jų naudojimo instrukcijas.
 - ! Nesulankstykite vežimėlio, nenuėmę kūdikio apsaugos sistemos.

Nešiojamo lopšio naudojimas

žr. pav. 56 - 59

- Naudodami kartu su nešiojamuoju lopšiu „Joie ramble xl“, vadovaukitės toliau pateiktais nurodymais.
- ! Pasigirdęs spragtelėjimas reiškia, kad adapteris yra tinkamai užfiksuotas.

- ! Naudodami nešiojamąjį lopšį, visada naudokite čiužinį.
- ! Jei kiltų kokių nors problemų dėl nešiojamojo lopšio naudojimo, skaitykite jo naudojimo instrukcijas.
- ! Nesulankstykite vežimėlio, neišėmę nešiojamojo lopšio.

Dangos nuo lietaus naudojimas

žr. pav. 60

- Norėdami naudoti lietaus dangą, uždėkite ją ant sėdynės.
- ! Naudodamiesi lietaus danga, visada tikrinkite, ar vaikui pakanka oro.
 - ! Kai lietaus dangos nenaudojate, prieš ją sulankstydami, įsitikinkite, kad ji yra švari ir sausa.
 - ! Nesulankstykite vežimėlio, nenuėmę lietaus dangos.
 - ! Nesodinkite ir neguldykite vaiko į lietaus danga uždengtą vežimėlį esant karštam orui.

Daiktams laikyti skirtos kišenėlės naudojimas

žr. pav. 61 - 66

- Bendras maksimalus kišenės svoris neturi viršyti 1 kg. Daiktams laikyti skirtą kišenę galima ištraukti iš krepšelio ir nešioti atskirai. 66

Įdėklo naudojimas

žr. pav. 67 - 68

Minkštųjų dalių nuėmimas ir uždėjimas

žr. pav. 69 - 84

Nuimkite ranktūrį, kaip pavaizduota 26

Norėdami išimti minkštus sėdynės priedus, atlikite pirmiau nurodytus veiksmus atvirkščia eilės tvarka 84 - 69

Valymas ir priežiūra

žr. pav. 85

- ! Vežimėlio rėmą valykite tik buityje naudojamu muilu ir šiltu vandeniu. Nenaudokite baliklių ir skalbimo priemonių. Kaip valyti medžiagines vežimėlio dalis, žr. priežiūros etiketėje pateiktus nurodymus.
- ! Išimamas minkštas dalis galima plauti skalbyklėje. Nebalinti. Labai stipriai negręžkite sėdynės apdangalo ir vidinio paminkštinimo, norėdami, kad jie greičiau išdžiūtų. Antraip sėdynės apdangalas ir vidinį paminkštinimas gali likti susiglamžę.
- ! Kartkartėmis patikrinkite, ar vežimėlyje nėra atsilaisvusių varžtų, nusidėvėjusių dalių, suplyšusių medžiagų ar prairusių siūlių. Jeigu reikia, dalis pakeiskite naujomis arba sutaisykite. Reguliariai valykite plastikinės dalis minkštu drėgnu skudurėliu. Jei vežimėlis sušlampa, visada nusauskite metalines dalis, kad jos nesurūdytų.
- ! Pernelyg didelis saulės ar šilumos poveikis vežimėlio dalis gali išblukti ar deformuoti.
- ! Jei vežimėlis sušlapo, prieš padėdami jį į saugojimo vietą, atidarykite stogelį ir palaukite, kol jis išdžius.
- ! Jei ratai girgžda, naudokite neklampią alyvą (pvz., silikoninį purškiklį, nuo rūdžių apsaugančią alyvą arba siuvimo mašinų alyvą). Svarbu, kad alyvos patektų į ašies ir rato mazgą. 85

- ! Naudodamiesi savo vežimėliu paplūdimyje ar kitoje smėlio ar dulkių pilnoje aplinkoje, po naudojimo kruopščiai išvalykite visą vežimėlį, kad pašalintumėte smėlį ir druską iš mechanizmų ir ratų mazgų.

LV Laipni lūdzam Joie™

Apsveicam, ka kļuvāt par daļu no Joie ģimenes! Mēs esam tik priecīgi būt par daļu no jūsu un mazuļa dzīves. Braucot ar Joie Finiti™, izmantojat augstas kvalitātes, pilnībā sertificētus ratiņus, kas apstiprināti ar Eiropas drošības standartu EN 1888-2:2018. Šis izstrādājums ir piemērots bērniem līdz 22 kg vai 4 gadu vecumam (atkarībā no tā, kurš no lielumiem ir pirmais). Rūpīgi izlasiet šo rokasgrāmatu un ievērojiet katru darbību, lai bērnam nodrošinātu ērtu braucienu un aizsardzību.

SVARĪGI! RŪPĪGI IZLASIET UN SAGLABĀJIET TOS TURPMĀKĀM UZZIŅĀM.

Apmeklējiet vietni joiebaby.com, lai lejupielādētu rokasgrāmatas un skatītu vairāk Joie izstrādājumu.

Garantijas informāciju skatiet mūsu tīmekļa vietnē joiebaby.com

Satura rādītājs

| | |
|---|------------|
| Attēli | 1-16 |
| BRĪDINĀJUMS | 305 |
| Ratiņi | 307 |
| Ratiņu atvēršana | 307 |
| Priekšējā riteņa uzstādīšana un noņemšana | 307 |
| Aizmugurējā riteņa uzstādīšana un noņemšana | 307 |
| Jumtiņa uzstādīšana | 307 |
| Pudeļu turētāja uzstādīšana un noņemšana | 307 |

| | |
|---|------------|
| Ratiņu lietošana | 308 |
| Atzveltnes regulēšana | 308 |
| Sprādzes lietošana | 308 |
| Plecu un jostas vietas siksnas lietošana | 309 |
| Roku balsta lietošana | 309 |
| Apakšstilba atbalsta regulēšana | 309 |
| Priekšējā grozāmā fiksatora lietošana | 310 |
| Bremžu lietošana | 310 |
| Jumtiņa lietošana | 310 |
| Roktura regulēšana | 310 |
| Sēdekļa pārslēgšana | 310 |
| Uzglabāšanas maisa lietošana | 310 |
| Ratiņu salocīšana | 311 |
| Piederumu lietošana | 311 |
| Mīksto paliktņu noņemšana un uzlikšana | 313 |
| Tīrīšana un apkope | 313 |

Ārkārtas situācija

Ārkārtas situācijā vai nelaimes gadījumā vissvarīgāk ir nekavējoties bērnam sniegt pirmo palīdzību un medicīnisko palīdzību.

Informācija par izstrādājumu

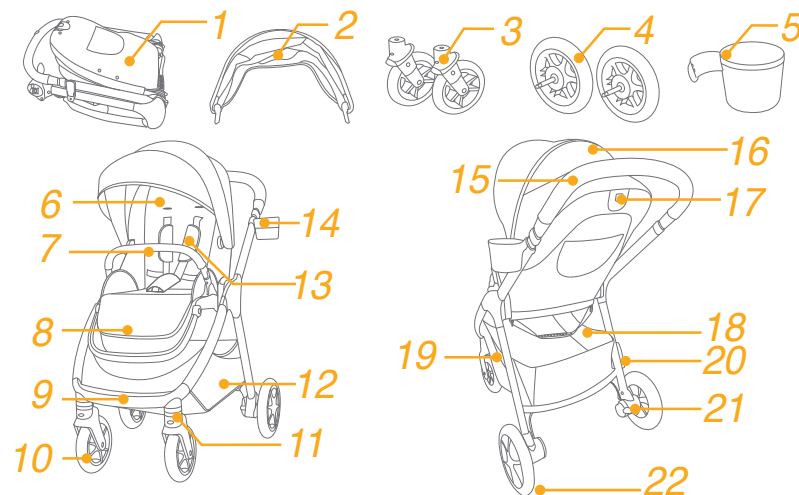
Pirms šī izstrādājuma lietošanas pilnībā izlasiet visus šajā lietošanas rokasgrāmatā sniegto informāciju. Ja jums ir kādi papildjautājumi, sazinieties ar mazumtirgotāju. Dažas funkcijas var atšķirties atkarībā no modeļa.

| | |
|------------------|---|
| Izstrādājums | Finiti ratiņi |
| Piemēroti | Šis izstrādājums ir piemērots bērniem līdz 22 kg vai 4 gadu vecumam (atkarībā no tā, kurš no lielumiem ir pirmais). |
| Materiāli | Plastmasa, metāls, audums |
| Patenta numurs | Gaida patentu |
| Ražots | Ķīnā |
| Zīmola nosaukums | Joie |
| Tīmekļa vietne | www.joiebaby.com |
| Ražotājs | Allison GmbH |

Detalju saraksts

Pirms salikšanas pārliecinieties, vai visas detaļas ir pieejamas. Ja kādas detaļas trūkst, sazinieties ar vietējo izplatītāju. Montāžai nav nepieciešami papildu rīki.

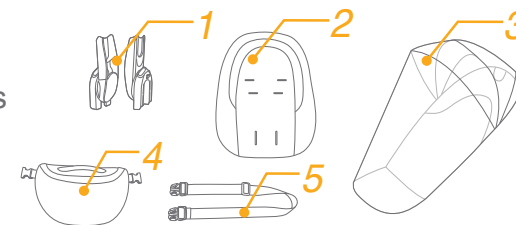
- | | |
|-------------------------|---------------------------|
| 1 Ratiņu rāmis | 12 Uzglabāšanas grozs |
| 2 Jumtiņš | 13 Plecu siksnas |
| 3 Priekšējais ritenis | 14 Pudeliņu turētājs |
| 4 Aizmugurējais ritenis | 15 Rokturis |
| 5 Pudeliņu turētājs | 16 Jumtiņa lodziņš |
| 6 Sēdekļa paliktņi | 17 Atliekamais rokturis |
| 7 Roku atbalsts | 18 Uzglabāšanas maiss |
| 8 Apakšstilba balsts | 19 Uzglabāšanas maiss |
| 9 Pēdu atbalsts | 20 Uzglabāšanas fiksators |
| 10 Priekšējais ritenis | 21 Bremzes svira |
| 11 Grozīšanas fiksators | 22 Aizmugurējais ritenis |



Piederumi

(var nebūt ietverti)

- | | |
|------------------------|-------------|
| 1 Adapteris | 2 Ieliktnis |
| 3 Lietus pārsegs | |
| 4 Uzglabāšanas kabata | |
| 5 Pārnēsāšanas siksnas | |



Atkarībā no reģiona piederumi, iespējams, tiek pārdoti atsevišķi vai nav pieejami.

BRĪDINĀJUMS

- ! BRĪDINĀJUMS! Nekad neatstājiet bērnu bez uzraudzības.
- ! BRĪDINĀJUMS! Pirms izmantošanas pārlicinieties, vai visas fiksēšanas ierīces ir aktīvas.
- ! BRĪDINĀJUMS! Lai izvairītos no traumām, nodrošiniet, ka izstrādājuma salocīšanas laikā bērns neatrodas tuvumā.
- ! BRĪDINĀJUMS! Neļaujiet bērnam spēlēties ar šo izstrādājumu.
- ! BRĪDINĀJUMS! Piemērots bērniem līdz 22 kg un 48 mēnešiem.
- ! BRĪDINĀJUMS! Vienmēr lietojiet piesprādzēšanās sistēmu.
- ! BRĪDINĀJUMS! Pirms lietošanas pārbaudiet, vai ratiņu rāmis, sēdekļis un automašīnas sēdekļa palīgierīces ir pareizi nofiksētas.
- ! Šis izstrādājums nav piemērots skriešanai vai skeitošanai.
- ! Lietojiet ratiņus ar bērna svaru līdz 22 kg. Ja ratiņus izmanto ar nepiemērotu bērnu, tas var radīt ratiņu bojājumus.
- ! Saliekamos ratiņus, kas paredzēti lietošanai kopš dzimšanas, jaundzimušajiem ieteicams izmantot visvairāk atlikto stāvokli.
- ! Ievietojot un izņemot bērnu, bremzēm ir jābūt nofiksētām.
- ! Lai novērstu bīstamus, nestabilus apstākļus, nenovietojiet uzglabāšanas grozā vairāk par 4,5 kg.
- ! Maksimāli pieļaujamais svars pudeļu turētājā ir 0,5 kg (1 mārciņa).
- ! Lietojiet ratiņus vienlaikus tikai vienam bērnam.
- ! Neuzstādiet nekādus priekšmetus uz roktura, sēdekļa atzveltnes un ratiņu sānos. Jebkāds papildu svars var ietekmēt ratiņu stabilitāti un radīt ratiņu apgāšanos.
- ! Jebkāds uz roktura un/vai atzveltnes aizmugurē un/vai ratiņu sānos uzstādīts svars var ietekmēt ratiņu stabilitāti.
- ! Nedrīkst izmantot piederumus, kurus nav apstiprinājis ražotājs. Drīkst izmantot tikai ražotāja piegādātās vai ieteiktās rezerves daļas.
- ! Zīdaiņu stiprinājumiem, ko lieto kopā ar rāmi, šie ratiņi neaizstāj bērnu gultiņu vai gultu. Ja bērnam ir jāguļ, viņš ir jāievieto atbilstošos ratos, šūpulī vai gultiņā.
- ! Lai izvairītos no smakšanas, pirms izstrādājuma lietošanas noņemiet plastmasas maisiņus un iepakojumu. Plastmasas

maisīņu un iepakojuma materiāls pēc tam ir jāuzglabā zīdaiņiem un bērniem nepieejamā vietā.

- ! Šis pārnēsātājs ir piemērs bērnam, kas nevar sēdēt bez atbalsta, var apgāzties un kas nav sevi piecelt ar rokām un kājām. Maksimālais bērna svars: 9 kg.
- ! NEIZMANTOJIET un nepievienojiet matraci, kurš nav piegādāts ar pārnēsātāju.
- ! Salikšana jāveic pieaugušajam.
- ! Pirms izstrādājuma lietošanas pilnībā izlasiet visus šajā lietošanas rokasgrāmatā sniegto informāciju. Saglabājiet rokasgrāmatu izmantošanai vēlāk. Šo brīdinājumu un norādījumu neievērošana var izraisīt nopietnas traumas vai nāvi.
- ! Lai izvairītos no nopietnām traumām, nokrītot vai izslīdot, vienmēr lietojiet drošības jostu.
- ! Regulējot ratiņus, pārlicinieties, vai bērna ķermenis nesaskaras ar kustīgām detaļām.
- ! Nekad nelietojiet ratiņus uz kāpnēm vai eskalatoriem.
- ! Nenovietojiet karstu objektu, šķidrumu un elektronisko ierīču tuvumā.
- ! Nekad nenovietojiet ratiņus uz ceļiem, slīpumos un bīstamās zonās.
- ! Lai izvairītos no žņaugšanas riska, NENOVIETOJIET nekādus priekšmetus ar siksnu ap bērna kaklu, nepiekariet siksnas pie šī izstrādājuma un nepievienojiet siksnas pie rotaļlietām.
- ! NELIETOJIET uzglabāšanas grozu kā bērnu pārnēsātāju.
- ! Lai izvairītos no pirkstu iespiešanas, rīkojieties uzmanīgi, kad salokat un atlokat ratiņus.
- ! Lai garantētu bērna drošību, pirms ratiņu lietošanas pārlicinieties, vai visas detaļas ir pareizi uzstādītas un nostiprinātas.
- ! Lai izvairītos no žņaugšanas, pārlicinieties, ka bērns nav aizķēries aiz jumtiņa.
- ! Kad novietojat ratiņus, vienmēr nofiksējiet bremzes.
- ! Pārtrauciet ratiņu lietošanu, ja tie ir bojāti vai salūzuši.
- ! Lai izvairītos no apdegumiem, nekad pudeļu turētājos neievietojiet karstus šķidrumus.
- ! Šis izstrādājums ir piemērots bērniem līdz 22 kg vai 4 gadu vecumam (atkarībā no tā, kurš no lielumiem ir pirmais).

Ratiņi

(Skatiet attēlus 1.–16. lappusē)

Pirms šī izstrādājuma salikšanas un lietošanas pilnībā izlasiet visu šajā lietošanas rokasgrāmatā sniegto informāciju.

Ratiņu atvēršana

skatiet attēlus ① - ④

Atdaliet uzglabāšanas fiksatoru no uzglabāšanas stiprinājuma ① un pēc tam paceliet rokturi augšup ②, klikšķis nozīmē, ka ratiņi ir pilnībā atvērti.

Sēdekli iespējams apgriezt otrādi. ④

! Pirms turpināt lietošanu, pārbaudiet, vai ratiņi ir pilnībā nofiksēti.

Priekšējā riteņa uzlikšana un noņemšana

skatiet attēlus ⑤ - ⑥

Aizmugurējā riteņa uzstādīšana un noņemšana

skatiet attēlus ⑦ - ⑧

Jumtiņa uzstādīšana

skatiet attēlus ⑨ - ⑪

Pudelu turētāja uzlikšana un noņemšana

skatiet attēlus ⑫ - ⑬

Pilnībā salikti ratiņi ir redzami kā ⑭

Ratiņu lietošana

Atzveltnes regulēšana

skatiet attēlu ⑮

Atzveltnei pieejami 4 slīpuma leņķi.

Lai paceltu vai nolaistu atzveltņi, grieziet nolaišanas rokturi sēdekļa aizmugurē. ⑮

! Nespiediet atbrīvošanas pogu ⑮ - 3 uz atliekamā roktura vidusdaļas, kad regulējat slīpuma nolaišanas leņķi.

! Pārliedziniet, vai slīpums ir iestatīts pareizi.

! Uzglabāšanas kabatas maksimālais svars atzveltnes aizmugurē ir 0,45 kg.

Sprādzes lietošana

skatiet attēlus ⑯ - ⑰

Sprādzes atbrīvošana

Nospiediet pogu, sprādze tiek atbrīvota automātiski. ⑯

Sprādzes fiksēšana

Salāgojiet jostas siksnas sprādzi ar plecu siksnas sprādzi ⑰ - 1 un salāgojiet tās ar centrālo sprādzi. Sprādze automātiski nofiksējas. ⑰ - 2 “Klikšķis” norāda, ka sprādze ir pilnībā nofiksēta. ⑰ - 3

! Lai izvairītos no nopietnām traumām, nokrītot vai izslīdot, vienmēr nostipriniet bērnu ar drošības aprīkojumu.

! Pārliedziniet, vai bērns ir cieši nostiprināts. Vietai starp bērnu un plecu siksnu ir jābūt aptuveni rokas biezumā.

! Nekrustojiet plecu siksnas. Tas var radīt spiedienu uz bērna kaklu.

Plecu un jostas vietas siksnas lietošana

skatiet attēlus 18 - 23

! Lai aizsargātu bērnu no izkrišanas, pēc bērna ievietošanas krēslā pārbaudiet, vai plecu un jostas sikсна atrodas atbilstošā augstumā un ir atbilstoša garuma.

18 - 1 Plecu siksnas stiprinājums

18 - 2 Bīdāms pielāgotājs

Lielam bērnam izmantojiet pleca siksnas stiprinājumu un augstākās plecu gropes. Mazam bērnam izmantojiet pleca siksnas stiprinājumu un zemākās pleca gropes.

Lai pielāgotu plecu siksnas stiprinājuma pozīciju, pagrieziet stiprinājumu vienā līmenī ar to pusi, kas ir uz priekšu. Izvelciet caur plecu siksnas atveri no aizmugures uz priekšu. 21 Izvelciet to caur spraugu, kas ir vistuvāk bērna pleca augstumam. 22

Izmantojiet bīdāmo pielāgotāju, lai mainītu siksnas garumu.

23 - 1

Nospiediet pogu 23 - 2, velkot jostas siksnu atbilstošajā garumā. 23 - 3

Roku balsta lietošana

skatiet attēlus 24 - 26

Apakšstilba atbalsta regulēšana

skatiet attēlus 27 - 28

Apakšstilba atbalstam ir 2 pozīcijas.

Lai nolaistu apakšstilba atbalstu, abās apakšstilba atbalsta 27 - 1 pusēs nospiediet regulēšanas pogas un grieziet apakšstilba atbalstu uz leju. 27 - 2

Lai paceltu apakšstilba atbalstu, spiediet to uz augšu. "Klikšķis" norāda, ka sprādze ir pilnībā nofiksēta.

Priekšējā grozāmā fiksatora lietošana

skatiet attēlu 29

Grieziet grozāmo fiksatoru pa kreisi, lai nofiksētu, grieziet grozāmo fiksatoru pa labi, lai atbrīvotu. 29

Padoms Grozāmo fiksatoru ieteicams izmantot uz nelīdzenām virsmām.

Bremžu lietošana

skatiet attēlus 30 - 31

Lai nofiksētu riteņus, nospiediet ar kāju bremžu sviru uz leju. 30

Lai atbrīvotu riteni, vienkārši paceliet bremžu sviru uz augšu. 31

Padoms Vienmēr aktivizējiet bremzes, kad ratiņi nepārvietojas.

Jumtiņa lietošana

skatiet attēlus 32 - 34

Jumtiņu iespējams pilnībā atvērt, lai aizsargātu bērnu no saules, vienkārši attaisiet rāvējslēdzēju 33 un pēc tam velciet jumtiņu uz priekšu.

Roktura regulēšana

skatiet attēlus 35

Sēdekļa virziena maiņa

skatiet attēlus 36 - 39

Uzglabāšanas maisa lietošana

skatiet attēlus 40

Katra uzglabāšanas maisa maksimālais svars abās groza pusēs ir 0,45 kg.

Ratiņu salocīšana

skatiet attēlus 41 - 49

- ! Poga atliecamā roktura vidusdaļā tiek izmantota sēdekļa salocīšanai. 42 - 1
- ! Salocītus ratiņus var novietot stāvus, kad rokturis atrodas zemākajā pozīcijā. 46
- ! Uzglabāšanas stiprinājums automātiski nofiksēsies uz uzglabāšanas stiprinājuma, pēc tam ratiņi ir salocīti un pilnībā nofiksēti. 46 49

Piederumu lietošana

Atkarībā no reģiona piederumi, iespējams, tiek pārdoti atsevišķi vai nav pieejami.

Lietošana ar zīdaiņu/bērnu stiprinājumiem

skatiet attēlus 50 - 55

Kad lieto ar Joie zīdaiņu/bērnu stiprinājumiem iGemm 2, iLevel un iSnug, skatiet šo lietotāja rokasgrāmatu.

- ! “Klikšķis” norāda, ka adapteris ir pilnībā nofiksēts.
- ! Ja rodas kādas problēmas ar zīdaiņu/bērnu stiprinājuma lietošanu, skatiet to lietotāja rokasgrāmatas.
- ! Nesalokiet ratiņus, kad ir uzstādīts zīdaiņu/bērnu stiprinājums.

Pārnēsātāja lietošana

skatiet attēlus 56 - 59

Kad lietojat Joie ramble xl pārnēsātāju, skatiet šo lietotāja rokasgrāmatu.

- ! “Klikšķis” norāda, ka adapteris ir pilnībā nofiksēts.
- ! Vienmēr ar pārnēsātāju lietojiet matraci.

! Ja rodas kādas problēmas ar pārnēsātāja lietošanu, skatiet to lietotāja rokasgrāmatas.

! Nesalokiet ratiņus, kad ir uzstādīts zīdaiņu/bērnu pārnēsātājs.

Lietus pārsega lietošana

skatiet attēlus 60

Lai saliktu lietus pārsegu, novietojiet to pāri sēdeklim.

- ! Kad izmantojat lietus pārsegu, vienmēr pārbaudiet tā ventilāciju.
- ! Kad netiek izmantots, vienmēr pārbaudiet, vai pirms salocīšanas lietus pārsegs ir notīrīts un izžāvēts.
- ! Nesalokiet ratiņus, kad ir uzstādīts lietus pārsegs.
- ! Karstā laikā neievietojiet bērnu ratiņos, kuriem uzstādīts lietus pārsegs.

Uzglabāšanas kabatas lietošana

skatiet attēlus 61 - 66

Nedrīkst pārsniegt maksimāli pieļaujamo svaru, kādu var ievietot uzglabāšanas kabatā 1 kg.

Uzglabāšanas kabatu var izņemt no groza, lai izmantotu atsevišķi. 66

Ieliktna lietošana

skatiet attēlus 67 - 68

Mīksto paliktņu noņemšana un uzlikšana

skatiet attēlus 69 - 84

Noņemiet roku balstu, kā 26

Lai atkārtoti uzliktu mīkstos paliktņus, apgrieztā secībā izpildiet iepriekš aprakstītās darbības 84 - 69

Tīrīšana un apkope

skatiet attēlu 85

- ! Lai tīrītu ratiņu rāmi, lietojiet tikai mājsaimniecības ziepes un siltu ūdeni. Nelietojiet balinātāju un mazgāšanas līdzekli. Norādījumus par ratiņu auduma daļu tīrīšanu skatiet kopšanas etiķetē.
- ! Noņemamos mīkstos paliktņus var mazgāt veļas mazgājamajā mašīnā. Nelietojiet balinātāju. Negrieziet sēdekļa pārsegu un iekšējo paliktņi, lai izžmiegtu mitrumu. Tas var atstāt uz sēdekļa pārsega un iekšējā paliktņa krokas.
- ! Laiku pa laikam pārbaudiet, vai ratiņiem nav atbrīvojušās skrūves, nodilušas detaļas, saplīsis materiāls un šuves. Nomainiet vai salabojiet detaļas, ja nepieciešams. Periodiski noslaukiet plastmasas detaļas ar mitru drānu. Vienmēr nožāvējiet metāla detaļas, lai novērstu rūsas rašanos, ja ratiņi nonāk saskarē ar ūdeni.
- ! Pārmērīga saules vai karstuma iedarbība var izraisīt daļu izbalēšanu vai deformāciju.
- ! Ja ratiņi kļūst mitri, pirms uzglabāšanas atveriet jumtiņu un ļaujiet tam nožūt.
- ! Ja riteņi čīkst, izmantojiet vieglu eļļu (piemēram, silikona aerosolu, pretrūsas eļļu vai šujmašīnas eļļu). Svarīgi, lai eļļa iekļūtu asī un riteņos. 85
- ! Lietojot ratiņus pludmalē vai citās smilšainās/putekļainās vietās, pēc lietošanas pilnībā notīriet ratiņus, lai smiltis un sāļi noņemtu no mehānismiem un riteņiem.

ET Tere! Mina olen Joie™

Palju õnne! Olete hankinud suurepärase Joie toote. Meil on hea meel, et saame olla koos teiega pisikese kodaniku eluteel. Reisisid Joie Finiti™-ga kasutate väga kvaliteetset, kõiki ametlikke nõudeid täitvat jalutuskäru, mis vastab Euroopa ohutusstandardile EN 1888-2 2018. Toode sobib kehakaaluga kuni 22 kg või kuni 4-aastastele lapsele (arvestada varem täituvat tingimust). Lugege seadme juhend hoolikalt läbi ja järgige seda igal sammul, et liikuda lapsega mugavalt ja turvaliselt.

TÄHTIS: LUGEGE TÄHELEPANELIKULT JA HOIDKE ALLES.

Võite kasutusjuhendeid alla laadida aadressilt joiebaby.com, millel tutvustatakse ka teisi põnevamaid Joie tooteid!

Garantiiteabe leiate meie veebisaidilt aadressil joiebaby.com

Sisukord

| | |
|--|------------|
| Joonised | 1-16 |
| HOIATUS | 319 |
| Jalutuskäru kokkupanek | 321 |
| Jalutuskäru avamine | 321 |
| Esiratta paigaldamine ja eemaldamine | 321 |
| Tagaratta paigaldamine ja eemaldamine | 321 |
| Katuse paigaldamine | 321 |
| Topsihoidiku paigaldamine ja eemaldamine | 321 |

| | |
|---|------------|
| Jalutuskäru kasutamine | 322 |
| Seljatoe reguleerimine | 322 |
| Pandla kasutamine | 322 |
| Õla- ja vöörhmade kasutamine | 323 |
| Tugikaare kasutamine | 323 |
| Sääretoe kasutamine | 323 |
| Eesmise suunaluku kasutamine | 324 |
| Piduri kasutamine | 324 |
| Katuse kasutamine | 324 |
| Käepideme reguleerimine | 324 |
| Istme ümberpööramine | 324 |
| Istmealuse koti kasutamine | 324 |
| Jalutuskäru kokkupanek | 325 |
| Tarvikute kasutamine | 325 |
| Pehmele osade eemaldamine ja paigaldus | 327 |
| Puhastamine ja hooldus | 327 |

Õnnetuse korral

Kui juhtub õnnetus, laske oma lapsele kindlasti anda kohe esmaabi ja vajadusel meditsiinilist ravi.

Tooteteave

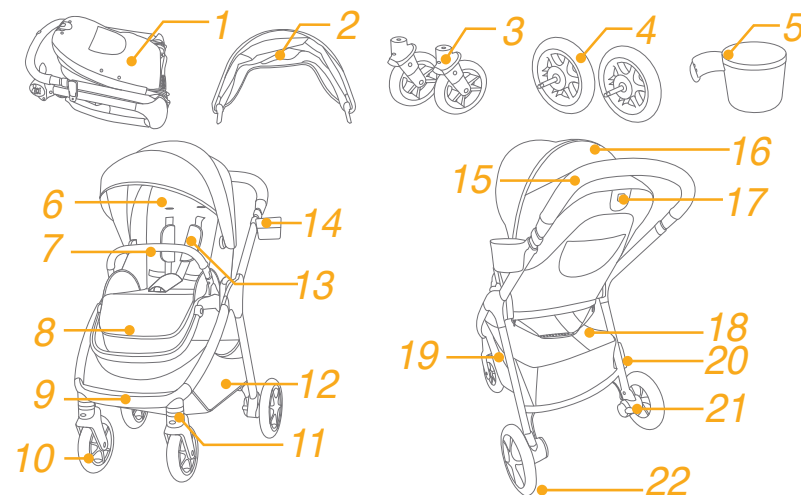
Lugege kõik kasutusjuhendis olevad juhised läbi, enne kui hakkate toodet kasutama. Kui teil on küsimusi, pidage nõu seadme müüjaga. Seadmel võib sõltuvalt mudelist olla lisafunktsioone.

| | |
|-------------------|--|
| Toode | Jalutuskäru Finiti |
| Sobivus | Toode sobib kehakaaluga kuni 22 kg või kuni 4-aastastele lapsele (arvestada varem täituvat tingimust). |
| Materjalid | Plastid, metall, kangas |
| Patendi nr | Patenditaotlused esitatud |
| Tootmismaa | Hiina |
| Kaubamärk | Joie |
| Veebisait | www.joiebaby.com |
| Tootja | Allison GmbH |

Osad

Enne kokkupanekut kontrollige, kas kõik vajalikud osad on olemas. Kui mõni osa puudub, pöörduge kohaliku müügiesindaja poole. Seadme kokkupanekuks pole tööriistu vaja.

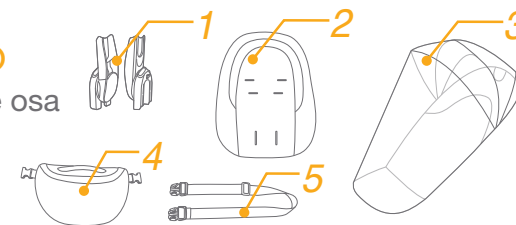
- | | | | |
|----|------------------|----|-----------------|
| 1 | Jalutuskäru raam | 12 | Istmealune korv |
| 2 | Katus | 13 | Õlarihmad |
| 3 | Esiratas | 14 | Topsihoidik |
| 4 | Tagaratas | 15 | Käepide |
| 5 | Topsihoidik | 16 | Katuseaken |
| 6 | Istmepadi | 17 | Kallutuskäepide |
| 7 | Tugikaar | 18 | Istmealune kott |
| 8 | Sääretugi | 19 | Istmealune kott |
| 9 | Jalatugi | 20 | Hoideriiv |
| 10 | Esiratas | 21 | Pidurihoob |
| 11 | Suunalukk | 22 | Tagaratas |



Tarvikud

(Ei ole alati komplektis)

- | | | | |
|---|-------------|---|--------------|
| 1 | Adapter | 2 | Sisemine osa |
| 3 | Vihmakaitse | | |
| 4 | Tasku | | |
| 5 | Kanderihm | | |



Sõltuvalt piirkonnast võivad tarvikud olla saadaval eraldi või üldse mitte.

HOIATUS

- ! HOIATUS Ärge jätke last järelevalveta!
- ! HOIATUS Enne kasutamist veenduge, et kõik lukustid on suletud.
- ! HOIATUS Vigastuste vältimiseks hoidke laps kärust eemal, kui seda kokku panete või lahti võtate.
- ! HOIATUS Ärge lubage lapsel tootega mängida
- ! HOIATUS Sobib kuni 22 kg raskusele või kuni 48 kuu vanusele lapsele.
- ! HOIATUS Kasutage alati turvasüsteemi.
- ! HOIATUS Enne kasutamist veenduge, et hälli korpus, istmeosa või auto turvaiste on korralikult kinnitatud.
- ! See toode pole ette nähtud kasutamiseks jooksmise või uisutamise ajal.
- ! Kasutage jalutuskäru lapsel, kes ei kaalu rohkem kui 22 kg. Liiga raske laps põhjustab jalutuskäru kahjustuse.
- ! Vastsündinu korral soovitatakse lapsevankrit kasutada enamasti lapse lamavas asendis.
- ! Lapse kärusse panemisel ja sealt äratõstmisel tuleks rakendada pidur.
- ! Ohtliku olukorra ja ebastabiilsuse vältimiseks ärge pange istmealusesse korvi üle 4,5 kg raskust koormat.
- ! Topsihoidiku maksimaalne soovitatav koormus on 0,5 kg.
- ! Kasutage jalutuskäru korraga ainult ühe lapsega.
- ! Ärge kinnitage esemeid jalutuskäru käepideme, seljatoele või külgosade külge. Igasugune lisakoormus mõjutab jalutuskäru stabiilsust ja võib põhjustada selle ümbermineku.
- ! Igasugune käepideme, seljatoe ja/või tagaosade külge kinnitatud lisakoormus mõjutab jalutuskäru stabiilsust.
- ! Tarvikuid, mida tootja pole heaks kiitnud, ei tohi kasutada. Kasutada võib ainult tootja tarnitud või soovitatavaid osi.
- ! Rakmete kasutamine imikul ei asenda turvahälli või voodit. Lapse magamise ajaks tuleb ta panna sobivasse lapsevankrisse, turvahälli või voodisse.
- ! Lämpumise vältimiseks eemaldage enne toote kasutamist sellelt kilekott ja pakkematerjalid. Seejärel hoidke kilekotti ja pakkematerjale imikutest ja lastest eemal.

- ! Kandeiste sobib ainult lapsele, kes ei suuda kõrvalise abita istmelt üles tõusta, ennast keerata ega ennast ise üles tõsta oma käte või jalgade abil. Lapse maksimumkaal: 9 kg.
- ! ÄRGE KASUTAGE madratsit, mis pole tootja tarnitud või soovitatud.
- ! Kokku peab panema täiskasvanu.
- ! Lugege kõik kasutusjuhendis olevad juhised läbi, enne kui hakkate toodet kasutama. Hoidke kasutusjuhend alles edaspidiseks kasutamiseks. Nende hoiatuste ja juhiste eiramine võib põhjustada tõsiseid vigastusi või surma.
- ! Kukkumisest või välja libisemisest tingitud tõsiste vigastuste vältimiseks kasutage alati turvarihmu.
- ! Jalutuskäru reguleerimisel jälgige, et lapse kehaosad oleksid liikuvatest osadest eemal.
- ! Ärge kasutage jalutuskäru trepil või eskalaatoril.
- ! Hoidke eemal kuumadest esemetest, vedelikest ja elektroonikast.
- ! Ärge jätke jalutuskäru sõiduteele, kallakule vms ohtlikku kohta.
- ! Kägistamise vältimiseks ÄRGE pange lapsele kaela nõoriga esemeid, ärge riputage toote külge nõöre ega kinnitage sellele nõöril mänguasju.
- ! ÄRGE kasutage istmealust korvi lapse vedamiseks.
- ! Sõrmevigastuste vältimiseks olge käru kokkupaneku ja lahtitegemisel ettevaatlik.
- ! Lapse ohutuse tagamiseks veenduge enne jalutuskäru kasutamist, et kõik osad on korralikult kokku pandud ja kinnitatud.
- ! Kägistamise vältimiseks jälgige, et laps püsiks katusest eemal.
- ! Kui jätate jalutuskäru seisma, rakendage alati pidurid.
- ! Kui jalutuskäru on kahjustatud või katki, ärge seda kasutage.
- ! Põletuste vältimiseks ärge pange topsihoidikusse kuuma vedelikuga anumad.

Jalutuskäru kokkupanek

(Vt joonised 1–16)

Lugege kõik selles juhendis olevad juhised läbi, enne kui hakkate toodet kasutama.

Lahtine jalutuskäru

Vt pilte ① - ④

Võtke hoideriiv kinnituse ① küljest lahti ja tõstke käepide üles ②; kui kostab klõpsatus, siis on jalutuskäru täiesti avatud asendis.

Istet saab ümber pöörata. ④

! Enne kasutamist veenduge, et jalutuskäru on riivistatud asendis.

Esiratta paigaldamine ja eemaldamine

Vt pilte ⑤ - ⑥

Tagaratta paigaldamine ja eemaldamine

Vt pilte ⑦ - ⑧

Katuse paigaldamine

Vt pilte ⑨ - ⑪

Topsihoidiku paigaldamine ja eemaldamine

Vt pilte ⑫ - ⑬

Täielikult kokkupandud jalutuskäru on kujutatud joonisel ⑭

Jalutuskäru kasutamine

Seljatoe reguleerimine

Vt pilti ⑮

Seljatoel on 4 asendit.

Seljatoe tõstmiseks või langetamiseks pöörake kallutuskäepidet, mis asub istme taga, ja tõmmake seljatuge alla. ⑮

! Ärge vajutage kallutuskäepideme keskel olevat vabastusnuppu ⑮ - 3, kui seljatoe kallet reguleerite.

! Veenduge, et seljatugi on kasutamiseks sobivas asendis.

! Seljatoe taga olevasse taskusse võib panna kuni 0,45 kg koormuse.

Pandla kasutamine

Vt pilte ⑯ - ⑰

Pandla avamine

Vajutage nuppu – pannal avaneb automaatselt. ⑯

Pandla lukustamine

Pange vöörihma pannal kokku õlarihma pandlaga ⑰ - 1 ja seadke need kohakuti keskmise pandlaga; pannal võib sulguda

automaatselt. ⑰ - 2 Klõpsatus annab märku, et pannal on korralikult suletud. ⑰ - 3

! Kukkumisest või välja libisemisest tingitud tõsiste vigastuste vältimiseks kinnitage alati rakmed.

! Veenduge, et rakmed on lapsel tihedalt peal. Lapse ja õlarihma vahele peab jääma kõige rohkem kaelaba võrra vaba ruumi.

! Ärge pange õlarihmasid risti. Vastasel korral suruvad need lapse kaelale.

Õla- ja vöörihmade kasutamine

Vt pilte 18 - 23

! Lapse kaitsmiseks väljakukkumise eest kontrollige pärast lapse istmele panemist, kas õla- ja vöörihmad on õigel kõrgusel ja sobiva pikkusega.

18 - 1 Õlarihma ankur

18 - 2 Reguleerimispannal

Suurema lapse korral kinnitage õlarihma ankur kõrgemal olevasse kinnituskohta. Kui laps on veel väike, kasutage alumisi kinnituskohti.

Õlarihmade kinnituskoha muutmiseks pöörake ankur ava suunas. Lükake see tagant ettepoole läbi õlarihma ava. 21
Kinnitage see lapse õla kõrgusele vastavasse avasse. 22

Rihmade pikkuse muutmiseks kasutage reguleerimispannal.

23 - 1

Vajutage nuppu 23 - 2 ja reguleerige vöörima pikkus sobivaks.

23 - 3

Tugikaare kasutamine

Vt pilte 24 - 26

Sääretoa kasutamine

Vt pilte 27 - 28

Sääretoel on 2 asendit.

Toe langetamiseks vajutage sääretoa kummalgi küljel olevaid reguleerimisnuppe 27 - 1 ja pöörake sääretuge alla. 27 - 2

Sääretoa ülespoole seadmiseks lükake seda üles. Klõpsatus annab märku, et tugi on korralikult fikseeritud.

Eesmise suunaluku kasutamine

Vt pilti 29

Pöörake suunalukku vasakule, et see fikseerida. Vabastamiseks pöörake suunalukku paremale. 29

Soovitus Suunalukku tuleks kasutada ebatasasel pinnal liikudes.

Piduri kasutamine

Vt pilte 30 - 31

Rataste lukustamiseks vajutage pidurihoob alla. 30

Piduri vabastamiseks tõmmake pidurihoob üles. 31

Soovitus Ärge rakendage pidurit, kui jalutuskäru liigub.

Katuse kasutamine

Vt pilte 32 - 34

Lapse päikese eest kaitsmises saate avada katuse – avage tõmblukk 33 ja tõmmake katust ettepoole.

Käepideme reguleerimine

Vt pilti 35

Istme ümberpööramine

Vt pilte 36 - 39

Istmealuse koti kasutamine

Vt pilti 40

Kummassegi kotti võib panna kuni 0,45 kg koormuse.

Jalutuskäru kokkupanek

Vt pilte 41 - 49

- ! Seljatoe käepideme keskel olev nupp on mõeldud istme kokkupanemiseks. 42 - 1
- ! Kokkupandud jalutuskärgu püsib püsti, kui käepide on alumises asendis. 46
- ! Kui hoideriiv sulgub automaatselt kinnituse külge, on jalutuskäru fikseeritud kokkupandud asendisse. 46 49

Tarvikute kasutamine

Sõltuvalt piirkonnast võivad tarvikud olla saadaval eraldi või üldse mitte.

Kasutage koos imiku turvahälliga

Vt pilte 50 - 55

Kasutamisel koos Joie turvahälliga iGemm 2, iLevel või iSnug järgige järgmisi juhiseid.

- ! Klõpsatus annab märku, et adapter on korralikult fikseeritud.
- ! Vajadusel juhinduge kasutatava turvahälli kasutusjuhendist.
- ! Ärge pange jalutuskäru kokku, kui turvahäll on selle külge kinnitatud.

Kandeistme kasutamine

Vt pilte 56 - 59

Kasutamisel koos kandeistmega Joie ramble xl juhinduge järgmistest juhistest.

- ! Klõpsatus annab märku, et adapter on korralikult fikseeritud.
- ! Koos kandeistmega kasutage alati madratsit.

! Vajadusel juhinduge kasutatava kandeistme kasutusjuhendist.

! Ärge pange jalutuskäru kokku, kui kandeiste on selle külge kinnitatud.

Vihmakaitse kasutamine

Vt pilti 60

Vihmakaitse kasutamiseks pange see istme ümber.

- ! Kui kasutate vihmakaitset, kontrollige kindlasti õhuvahetust selle all.
- ! Kui te vihmakaitset enam ei kasuta, puhastage ja kuivatage seda enne kokkuvoltimist.
- ! Ärge pange jalutuskäru kokku, kui vihmakaitse on paigaldatud.
- ! Kuuma ilma korral ärge pange last jalutuskärusse, kui vihmakaitse on sellele paigaldatud.

Hoiutasku kasutamine

Vt pilte 61 - 66

Hoiutasku summaarne koormus ei tohi olla suurem kui 1 kg. Hoiutasku saab eraldi kasutamiseks korvist välja võtta. 66

Sisemise osa kasutamine

Vt pilte 67 - 68

Pehmete osade eemaldamine ja paigaldus

Vt pilte 69 - 84

Eemaldage tugikaar; vt 26

Istme pehmete osade paigaldamisel järgige ülaltoodud samme vastupidises järjekorras 84 - 69

Puhastamine ja hooldus

Vt pilti 85

- ! Puhastage jalutuskäru raami ainult seebi ja sooja veega. Ärge kasutage valgendit ega pesuainet. Jalutuskäru kanga puhastamisel järgige hooldussildi juhiseid.
- ! Enne seadme pesemist eemaldage pehmed osad. Ärge kasutage valgendit. Ärge pöörake istmekatet ja sisepolstrit kiiremaks kuivatamiseks ümber. Istmekate ja sisemine polster võib jääda kortsu.
- ! Kontrollige jalutuskäru aeg-ajalt lahti tulnud kruvide, kulunud osade, rebenenud materjali ja õmbluste suhtes. Vahetage osad vajadusel välja või parandage. Puhastage plastist osi aeg-ajalt pehme niiske lapiga. Kuivatage metalloosi alati rooste vältimiseks, kui jalutuskäru on saanud märjaks.
- ! Hoidmine päikese käes või kuumas kohas võib põhjustada osade pleekimist või deformeerumist.
- ! Kui jalutuskäru saab märjaks, avage katus ja laske kärul enne hoiule panekut korralikult kuivada.
- ! Kui rattad kriuksuvad, kasutage vedelat õli (nt silikoonõli, roostetõrjeõli või õmblusmasinaõli). Õli peab jõudma telje ja ratta vahele. 85
- ! Kui kasutate jalutuskäru rannas vm liivases/tolmuses kohas, puhastage käru pärast kasutamist, eemaldades mehhaaniliselt osadelt ja ratastelt liiva ja soola.

HU Üdvözlí a Joie™

Gratulálunk, hogy Ön is a Joie család tagja lett! Nagyon örülünk, hogy részesei lehetünk a kisgyereke életútjának. Amikor a Joie Finiti™ gyerekkocsival utazik, Ön egy kitűnő minőségű, teljes mértékben jóváhagyott gyerekkocsit használ, amely megfelel az EN 1888-2:2018 szabványnak. A gyerekágy 22kg-os vagy 4 éves gyerekeknek megfelelő, amelyik hamarabb bekövetkezik. Kérjük figyelmesen olvassa el ezt a kézikönyvet és kövesse a lépéseket, hogy kényelmes utazást és a legjobb védelmet biztosítsa a gyermekének.

FONTOS - OLVASSA EL FIGYELMESEN ÉS TARTSA MEG A KÉSŐBBIEKRE.

A kézikönyvek letöltéséhez látogasson el a joiebaby.com címre, itt láthat további érdekes Joie termékeket!

Garanciális információkért kérjük látogasson el weboldalunkra a joiebaby.com címen.

Tartalom

| | |
|--|------------|
| Ábra | 1-16 |
| FIGYELEM | 333 |
| Gyerekkocsi összerakása | 336 |
| Nyissa ki a gyerekkocsit | 336 |
| Első kerék összerakása és leszerelése | 336 |
| Hátulsó kerék összerakása és leszerelése | 336 |
| Rakja össze az ülést | 336 |
| Pohártartó összerakása és leszerelése | 336 |

| | |
|---|------------|
| Gyerekkocsi kezelése | 337 |
| Háttámla állítása | 337 |
| Használja a csatot | 337 |
| Használja a váll és csípőhámszíjat | 338 |
| Karfa használata | 338 |
| Lábtartó állítása | 338 |
| Első elfordító zár használata | 339 |
| A fék használata | 339 |
| Ülés használata | 339 |
| A fogantyú állítása | 339 |
| Ülés cseréje | 339 |
| Tárolózsák használata | 339 |
| Gyerekkocsi összehajtása | 340 |
| Tartozékok használata | 340 |
| A puha belsők eltávolítása és felhelyezése | 342 |
| Tisztítás és karbantartás | 342 |

Sürgősség

Sürgősség vagy baleset esetén a legfontosabb, hogy a gyerekek viselje gondját azonnali elsősegéllyel vagy orvosi kezeléssel.

Termékinformáció

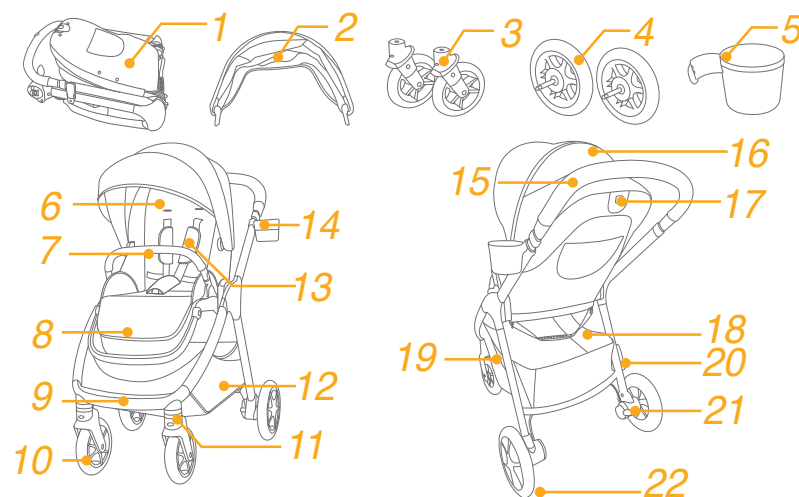
A termék használata előtt olvassa el az útmutatóban lévő összes utasítást. Amennyiben további kérdései vannak, tanácskozzon közvetlenül a forgalmazóval. Egyes funkciók modellfüggőek.

| | |
|--------------|---|
| Termék | Finiti gyerekkocsi |
| Megfelelőség | A gyerekágy 22kg-os vagy 4 éves gyereknek megfelelő, amelyik hamarabb bekövetkezik. |
| Anyag | Műanyag, fém, szövet |
| Szabványszám | Szabvány fenntartott |
| Készült | Kínában |
| Márkanév | Joie |
| Weboldal | www.joiebaby.com |
| Gyártó | Allison GmbH |

Alkatrészek listája

Győződjön meg, hogy minden alkatrész rendelkezésre áll, mielőtt nekilát az összeszerelésnek. Amennyiben valamelyik alkatrész hiányzik, kérjük vegye fel a kapcsolatot a helyi kereskedővel. Az összeszereléshez nincs szükség semmilyen szerszámmra.

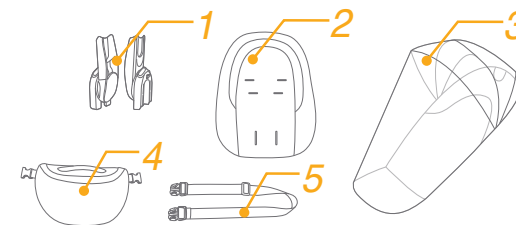
- | | |
|---------------------|------------------------|
| 1 Gyerekkocsi keret | 12 Tároló kosár |
| 2 Ülés | 13 Vállhámshíj |
| 3 Első kerék | 14 Pohártartó |
| 4 Hátulsó kerék | 15 Fogantyú |
| 5 Pohártartó | 16 Ülés ablak |
| 6 Üléspárna | 17 Hátradöntő fogantyú |
| 7 Karfa | 18 Hordtáska |
| 8 Lábtartó | 19 Hordtáska |
| 9 Lábtartó | 20 Tároló rezesz |
| 10 Első kerék | 21 Fékkar |
| 11 Elfordító zár | 22 Hátulsó kerék |



Tartozékok

(lehet hogy nincsenek mellékelve)

- | | |
|---------------------|---------|
| 1 Adapter | 2 Betét |
| 3 Eső elleni borító | |
| 4 Tároló rezesz | |
| 5 Hordtáska | |



A tartozékok külön kaphatók vagy régiótól függően nem elérhetők.

FIGYELEM

- ! FIGYELEM Soha ne hagyja a gyermekét felügyelet nélkül.
- ! FIGYELEM Használat előtt győződjön meg, hogy minden záró eszköz be van kapcsolva.
- ! FIGYELEM A sérülések elkerülése érdekében bizonyosodjon meg, hogy a gyerek távol van tartva amikor összehajtja vagy kinyitja a terméket.
- ! FIGYELEM Ne engedje a gyereket játszani ezzel a termékkel.
- ! FIGYELEM Legfennebb 22 kg súlyú vagy 48 hónapos gyerekeknek megfelelő.
- ! FIGYELEM Mindig használja az ülésrendszert.
- ! FIGYELEM Használat előtt ellenőrizze, hogy a gyerekkocsi szerkezete és az ülés vagy autós gyerekülés tartozék eszközei helyesen vannak összeszerelve.
- ! Ez a termék nem megfelelő kocogásra vagy görkorcsolyázásra.
- ! A gyerekkocsit 22kg-nál könnyebb gyerekekkel használja. A nem beleváló gyerekekkel a gyerekkocsiban kárt okozhat.
- ! A születéstől használható gyerekkocsikat ajánlott a legjobban megdöntött helyzetben használni újszülött gyerekeknek.
- ! A parkoló eszközt kapcsolja be amikor behelyezi és kiveszi a gyereket.
- ! Hogy megelőzzön egy veszélyes, instabil helyzetet, ne tegyen 4,5 kg-nál nagyobb súlyt a tároló kosárba.
- ! A legnagyobb ajánlott súly a pohártartóban 1lbs (0.5kg).
- ! A gyerekkocsit egyszerre csak egy gyermek használja.
- ! Ne csatoljon elemeket a fogantyúhoz, üléstámlára vagy a gyerekkocsi oldalára. Bármilyen további teher a gyerekkocsi stabilitását befolyásolja és a gyerekkocsi felbillenését okozhatja.
- ! Bármilyen teher amit a fogantyúra, a háttámlára és/ vagy a jármű oldalára helyez, a gyerekkocsi stabilitását befolyásolhatja.
- ! A gyártó által nem jóváhagyott tartozékokat ne használja. Csak a gyártó által szállított vagy ajánlott cserealkatrészeket használja.

- ! A csecsemőhordozó és alvász együttes használatához ez a jármű nem helyettesíti a kosarat vagy ágyat. Ha a gyerekeknek alvásra van szüksége, helyezze megfelelő gyerekágyba, kosárba vagy ágyba.
- ! A fulladás elkerülése érdekében távolítsa el a műanyag zacskókat és csomagoló anyagokat mielőtt a terméket használná. A műanyag zacskót és a csomagoló anyagokat ezután a csecsemőktől és gyerekektől távol kell tartani.
- ! A hordozókosár csak olyan gyerek számára megfelelő aki nem tud segítség nélkül ülni, átfordulni és nem tudja magát felnyomni térdre és könyökre. A gyerek maximális súlya: 9kg.
- ! NE használjon vagy ne adjon hozzá semmilyen matracot, mást mint amit a hordozókosárral szállítottak.
- ! Az összeszerelést felnőtt személynek kell elvégeznie.
- ! A termék használata előtt olvassa el az útmutatóban lévő összes utasítást. Kérjük, őrizze meg a használati útmutatót a jövőbeni felhasználásra. A figyelmeztetések és útmutatások figyelmen kívül hagyása komoly sérülést vagy halált okozhat.
- ! A kiesés vagy kicsúszás miatt bekövetkező személyi sérülések megelőzése érdekében mindig használja a biztonsági övet.
- ! Győződjön meg, hogy a gyerek teste nem akad be a mozgó alkatrészekbe amikor a gyerekkocsit állítja.
- ! Soha ne használjon gyerekkocsit lépcsőkön vagy mozgólépcsőkön.
- ! Tartsa távol magas hőmérsékletű tárgyaktól, folyadékoktól és elektronikától.
- ! Soha ne hagyja a gyerekkocsit az úton, lejtőkön vagy veszélyes zónákban.
- ! Az esetleges fulladások megelőzése érdekében NE tegyen zsinórral ellátott tárgyakat a gyermek nyaka köré, ne függessen fel zsinórokat a gyerekágyra, és ne kössön zsinórokat a játékokra.
- ! NE használja a tároló kosarat gyerekhordozónak.
- ! Kerülje el az ujj becsípését, figyeljen oda amikor összehajtja vagy kinyitja a gyerekkocsit.
- ! A gyerek biztonságának érdekében kérjük győződjön meg, hogy minden alkatrész össze van szerelve és megfelelően meg van húzva mielőtt a gyerekkocsit használja.

- ! Ahhoz, hogy megelőzze a fulladást, győződjön meg hogy a gyerek távol van az üléstől.
- ! Mindig használja a fékeket amikor leparkolja a gyerekkocsit.
- ! Ne használja tovább a gyerekkocsit ha sérült vagy törött.
- ! Égési sérülések elkerülése végett SOHA ne tegyen forró folyadékokat a pohártartóba.
- ! A gyerekágy 22kg-os vagy 4 éves gyerekeknek megfelelő, amelyik hamarabb bekövetkezik.

Gyerekkocsi összerakása

(Lásd az ábrákat az 1-16 oldalon levő ábrákat)

A termék használata és összeszerelése előtt kérjük olvassa el az útmutatóban lévő összes utasítást.

Nyissa ki a gyerekkocsit

lásd a képeket ① - ④

Különítse el a tároló reteszt a tároló retesz rögzítésétől ①, és utána emelje fel a fogantyút ②, egy kattató hang azt jelenti hogy a gyerekkocsi teljesen nyitva van.

Az ülés megfordítható. ④

! Ellenőrizze hogy a gyerekkocsi teljesen kinyitva rögzült, mielőtt tovább használná.

Első kerék összerakása és leszerelése

lásd a képeket ⑤ - ⑥

Hátulsó kerék összerakása és leszerelése

lásd a képeket ⑦ - ⑧

Rakja össze az ülést

lásd a képeket ⑨ - ⑪

Pohártartó összerakása és leszerelése

lásd a képeket ⑫ - ⑬

A teljesen összeszerelt gyerekkocsit az ábra mutatja ⑭

Gyerekkocsi kezelése

Háttámla állítása

Lásd a képen 15

A háttámla 4 szögbe állítható.

A háttámla döntéséhez vagy emeléséhez fordítsa el a döntő fogantyút az ülés hátoldalán és húzza le a háttámlát. 15

! Kérjük ne nyomja meg a kioldó gombot 15 - 3 a döntőfogantyú közepén amikor a döntésszöveget állítja.

! Győződjön meg, hogy a döntés megfelelően van állítva a használathoz.

! A tárolózseb maximális terhelése a hátoldalon 0,45 kg.

Használja a csatot

lásd a képeket 16- 17

Engedje ki a csatot

Nyomja meg a gombot, a csat automatikusan kinyílik. 16

Zárja le a csatot

Párosítsa a csípőhámszíjat a vállzárral 17 - 1, és kattintsa be a középső csatba, a csat automatikusan bezárul. 17 - 2 A

„kattanó” hang azt jelenti a csat teljesen zárva van. 17 - 3

! A kiesés vagy kicsúszás miatt bekövetkező komoly sérülések megelőzése érdekében mindig rögzítse a gyereket hámszíjakkal.

! Győződjön meg, hogy a gyerek megfelelően rögzített. A gyerek és a vállhámszín közötti távolság körülbelül egy kézvastagságnyi.

! Ne keresztezze a vállszíjakat. Ez nyomást gyakorol a gyerek nyakára.

Használja a váll és csípőhámszíjat

lásd a képeket 18 - 23

! Ahhoz hogy a gyereket megvédje a kieséstől, miután a gyereket behelyezte az ülésbe, ellenőrizze, hogy a váll és csípőhámszíjak megfelelő magasságban vannak és megfelelő hosszúságúak.

18 - 1 Vállhámszín rögzítő B

18 - 2 Csúszás állító

Nagyobb gyerek esetében használja a vállhámszín rögzítőt és a legmagasabb vállpánt nyílást. Kisebb gyerek esetében használja a vállhámszín rögzítőt és a legalacsonyabb vállpánt nyílást.

A vállhámszín rögzítő helyzetének állításához fordítsa a rögzítőt úgy, hogy szintben legyen és az oldala előre nézzen. Húzza át a vállhámszín nyíláson hátulról előre. 21 Húzza át újra azon a nyíláson amelyik a legközelebb áll a gyerek magasságához. 22

Használja a csúszás állítót, hogy a hámszín hosszán állítson. 23 - 1

Nyomja meg a gombot 23 - 2, miközben a csípőhámszíjat húzza a megfelelő hosszúságra. 23 - 3

Karfa használata

lásd a képeket 24 - 26

Lábtartó állítása

lásd a képeket 27 - 28

A lábtartónak két helyzete van.

A lábtartó leengedéséhez nyomja meg az állító gombokat a lábtartó mindkét oldalán 27 - 1 és fordítsa a lábtartót lefele. 27 - 2

A lábtartó felemeléséhez nyomja felfele. A „kattanó” hang azt jelenti a lábtartó teljesen zárva van.

Első elfordító zár használata

lásd a képeket 29

Forgassa el az elfordító zárat balra, hogy irányítsa, Forgassa az elfordító zárat jobbra, hogy kinyissa. 29

Tipp Egyetlen felületen ajánlott az elfordító zárok használata.

A fék használata

lásd a képeket 30 - 31

A kerekek rögzítéséhez lépjen rá lefele a fékkarra. 30

A kerekek felengedéséhez csak emelje fel a fékkart. 31

Tipp Mindig állítsa be a parkoló féket amikor a gyerekkocsi nem mozog.

Ülés használata

lásd a képeket 32 - 34

Az ülés teljesen kinyitható, hogy védje a gyereket a naptól, nyissa ki a zipzárt 33, majd húzza az ülést előre.

A fogantyú állítása

lásd a képeket 35

Ülés cseréje

lásd a képeket 36 - 39

Tárolózsák használata

lásd a képeket 40

Minden hordtáska maximális terhelése a kosát mindkét oldalán 0,45 kg.

Gyerekkocsi összehajtása

lásd a képeket 41 - 49

! A döntőfogantyú közepén levő gomb az ülés összehajtására használt. 42 - 1

! Az összehajtott gyerekkocsi megáll, amikor a fogantyú a legelső állásban van. 46

! A tároló retesz automatikusan bezár a tároló rögzítőbe, majd a gyerekkocsi teljesen összehajtván és lezárva van. 46 49

Tartozékok használata

Tartozékokat árulhatnak külön vagy megtörténhet hogy nem elérhetők a régiótól függően.

Használat csecsemőhordozóval

lásd a képeket 50 - 55

Amikor Joie iGemm 2, iLevel és i-Snug gyereküléssel használja, kérjük olvassa el az alábbi utasításokat.

! A „kattanó” hang azt jelenti a csat teljesen zárva van.

! Amennyiben problémája adódik a csecsemőhordozó használatával, kérjük olvassa el ezek kezelési útmutatóját.

! Kérjük ne hajtja össze a gyerekkocsit, ha a csecsemőhordozó még mindig fel van szerelve.

Hordozókosár használata

lásd a képeket 56 - 59

Amikor Joie ramble xl hordozó kosárral együtt használja, kérjük olvassa el az alábbi utasításokat.

! A „kattanó” hang azt jelenti a csat teljesen zárva van.

! A hordozókosár használatakor mindig használjon matracot.

- ! Amennyiben problémája adódik a hordozó kosár használatával, kérjük olvassa el ezek kezelési útmutatóját.
- ! Kérjük ne hajtsa össze a gyerekkocsit, ha a hordozókosár még mindig fel van szerelve.

Eső elleni borító használata

lásd a képeket 60

Az eső elleni borító összeszereléséhez helyezze ezt az ülés fölé.

- ! Amikor használja az eső elleni borítót, kérjük mindig ellenőrizze a szellőzést.
- ! Amikor nem használja, kérjük ellenőrizze hogy az eső elleni borítót megtisztította és megszáritotta mielőtt összehajtja.
- ! Az eső elleni borító használatakor ne hajtsa össze a gyerekkocsit.
- ! Meleg időben ne tegye a gyereket a gyerekkocsiba ha az eső elleni borítót felszerelte.

A tárolózseb használata

lásd a képeket 61 - 66

A tároló zseb teljes súlya ne haladja meg az 1kg-ot.

A tároló zseb eltávolítható a kosárból, hogy külön használja. 66

Betét használata

lásd a képeket 67 - 68

A puha belső eltávolítása és felhelyezése

lásd a képeket 69 - 84

Távolítsa el a karfát amint az ábrán látható 26

A puha belső visszaszereléséhez kövesse a fenti lépéseket fordított sorrendben 84 - 69

Tisztítás és karbantartás

lásd a képeket 85

- ! A gyerekkocsi keretet kizárólag háztartási szappannal és meleg vízzel tisztítsa meg. Ne használjon fehérítőt vagy mosószert. A gyerekkocsi szövettel bevont részeinek tisztítását illetően tekintse meg a kezelésre vonatkozó címkén lévő utasításokat.
- ! Az eltávolítható puha belső mosógépben moshatók. Ne fehérítse. Ne csavarja az üléshez vagy a belső bélést, hogy nagy erővel szárítsa. Ráncos maradhat az üléshez és a belső bélés.
- ! Rendszeres időközönként ellenőrizze, hogy nincsenek-e meglazult csavarok, elhasznált alkatrészek, illetve elszakadt anyagdarabok vagy varrások a gyerekkocsin. Szükség esetén cserélje le vagy javítsa meg az alkatrészeket. Időszakosan törölje tisztára a műanyag részeket egy nedves puha ronggyal. Mindig szárítsa meg a fémrészeket, hogy megelőzze a rozsdázást, ha a gyerekkocsi vízzel érintkezett.
- ! Túlzott napfény vagy hó hatására az alkatrészek kifakulhatnak vagy deformálódhatnak.
- ! Ha a gyerekkocsi nedves lesz, nyissa ki az ülőkét és hagyja megszáradni tárolás előtt.
- ! Ha a kerekek nyikorognak, használjon olajat (pl. Szilikon spray, rozsdagátló olaj vagy varrógépolaj). Fontos hogy az olaj a tengelyre és a kerékhez jusson. 85

! Ha a gyerekkocsit strandon vagy nagyon homokos/poros helyen használja, használat után tisztítsa meg teljesen a gyerekkocsit hogy eltávolítsa a homokot és sót a fék és kerékrendszerből.

RO Bun venit la Joie™

Felicitări pentru că ați devenit parte din familia Joie! Ne bucurăm să participăm la călătoria alături de micuțul vostru. Când călătoriți cu Joie Finti™, folosiți un cărucior certificat, de înaltă calitate, aprobat de standardele europene de siguranță EN 1888-2:2018. Acest produs este potrivit pentru copiii de până la 22 kg sau vârsta de 4 ani, oricare dintre cele două survine mai întâi. Citiți cu atenție acest manual și urmați fiecare pas pentru a asigura o călătorie confortabilă și cea mai înaltă protecție pentru copilul dvs.

IMPORTANT - CITIȚI CU ATENȚIE ȘI PĂSTRAȚI PENTRU CONSULTĂRI ULTERIOARE.

Vizitați site-ul joiebaby.com pentru a descărca manuale și a vedea mai multe produse Joie!

Pentru informații privind garanția, vizitați site-ul nostru web pe joiebaby.com

Cuprins

| | |
|--|------------|
| Figurile | 1-16 |
| ATENȚIE | 349 |
| Asamblarea căruciorului | 352 |
| Pentru a deschide căruciorul | 352 |
| Asamblarea și demontarea roților din față | 352 |
| Asamblarea și demontarea roților din spate | 352 |
| Asamblarea copertinei | 352 |
| Asamblarea și demontarea suportului pentru pahar | 352 |

| | |
|---|------------|
| Funcționarea căruciorului | 353 |
| Reglarea spătarului | 353 |
| Utilizarea cataramii | 353 |
| Utilizarea hamurilor de umăr și de talie | 354 |
| Utilizarea barei de sprijin pentru mâini | 354 |
| Reglarea suportului pentru gambe | 354 |
| Utilizarea dispozitivelor de blocare a pivotării pe roțile din față | 355 |
| Utilizarea frânei | 355 |
| Utilizarea baldachinului | 355 |
| Reglarea mânerului | 355 |
| Schimbarea scaunului | 355 |
| Utilizarea sacului de depozitare | 355 |
| Plierea căruciorului | 356 |
| Utilizarea accesoriilor | 356 |
| Demontarea și asamblarea părților moi | 358 |
| Curățare și întreținere | 358 |

Urgențe

În caz de urgență sau accidente, este esențial să îi fie acordate primul ajutor și tratament medical copilului.

Informații referitoare la produs

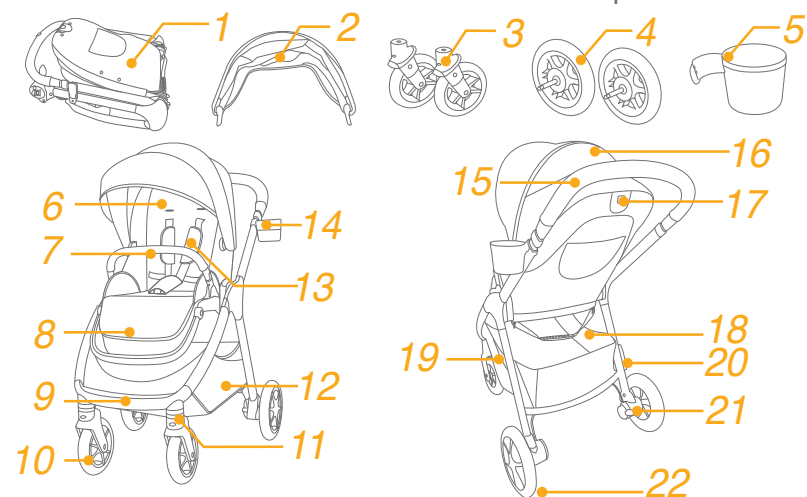
Citiți toate instrucțiunile din manual înainte de utilizarea acestui produs. Dacă aveți întrebări suplimentare, consultați vânzătorul. Unele caracteristici pot varia în funcție de model.

| | |
|------------------------|--|
| Produs | Cărucior Finiti |
| Potrivit pentru | Acest produs este potrivit pentru copiii de până la 22 kg sau vârsta de 4 ani, oricare dintre cele două survine mai întâi. |
| Materiale | Plastic, metal, textile |
| Nr. brevet | Brevete în așteptare |
| Fabricat în | China |
| Numele mărcii | Joie |
| Site web | www.joiebaby.com |
| Producător | Allison GmbH |

Lista componentelor

Înainte de montare, asigurați-vă că aveți toate componentele. Dacă lipsește o componentă, vă rugăm să contactați distribuitorul local. Montajul nu necesită niciun fel de scule.

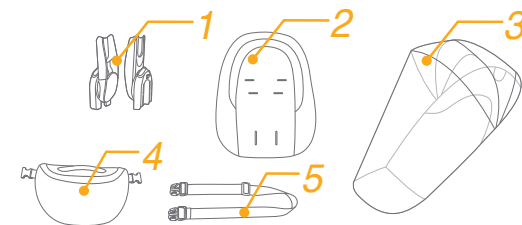
- | | | | |
|----|---------------------|----|---------------------------------------|
| 1 | Cadrul căruciorului | 12 | Coș de depozitare |
| 2 | Baldachin | 13 | Ham pentru umeri |
| 3 | Roată din față | 14 | Suport de pahare |
| 4 | Roată din spate | 15 | Mâner |
| 5 | Suport de pahare | 16 | Fereastra baldachinului |
| 6 | Căptușeală scaun | 17 | Mâner de înclinare |
| 7 | Bară pentru brațe | 18 | Sac de depozitare |
| 8 | Suport pentru gambe | 19 | Sac de depozitare |
| 9 | Spătar | 20 | Mecanism de blocare pentru depozitare |
| 10 | Roată din față | 21 | Manetă de frână |
| 11 | Blocare pivotare | 22 | Roată din spate |



Accesorii

(pot să nu fie incluse)

- | | | | |
|---|-----------------------------------|---|----------|
| 1 | Adaptor | 2 | insertii |
| 3 | Husă de protecție împotriva ploii | | |
| 4 | Buzunar de depozitare | | |
| 5 | Centură de transport | | |



Accesoriile pot fi achiziționate separat sau pot să nu fie disponibile, în funcție de regiune.

ATENȚIE

- ! ATENȚIE Nu lăsați niciodată copilul nesupravegheat.
- ! ATENȚIE Asigurați-vă că toate dispozitivele de blocare sunt cuplate înainte de utilizare.
- ! ATENȚIE Pentru a evita rănirea, asigurați-vă că, atunci când deschideți și când pliați acest produs, copilul nu se află în apropierea acestuia.
- ! ATENȚIE Nu lăsați copilul să se joace cu acest produs.
- ! ATENȚIE Potrivit pentru copii de până la 22kg sau până la 48 luni.
- ! ATENȚIE Utilizați întotdeauna sistemul de siguranță.
- ! ATENȚIE Înaintea utilizării, verificați cuplarea corectă a corpului căruciorului sau a scaunului ori a dispozitivelor de atașare a scaunului auto.
- ! Acest produs nu este adecvat pentru alergare sau patinaj.
- ! Utilizați căruciorul pentru copii cu o greutate de până la 22 kg. Căruciorul va suferi daune dacă îl utilizați pentru un copil cu o greutate nepotrivită.
- ! Pentru cărucioarele destinate pentru a fi utilizate pentru copiii nou-născuți, se recomandă utilizarea poziției de înclinare maximă.
- ! Dispozitivul de parcare trebuie cuplat atunci când așezați sau ridicați copilul.
- ! Pentru a preîntâmpina o situație de pericol sau de instabilitate, nu așezați o greutate mai mare de 4,5kg în coșul de depozitare.
- ! Greutatea maximă recomandată în suportul pentru pahare este de 0,5 kg.
- ! Nu folosiți căruciorul pentru mai mult de un copil simultan.
- ! Nu atașați obiecte de mâner, de spătarul scaunului sau de părțile laterale ale căruciorului. Orice sarcină suplimentară va afecta stabilitatea căruciorului și poate duce la răsturnarea acestuia.
- ! Orice sarcină atașată pe mâner și/sau pe partea din spate a spătarului și/sau pe părțile laterale ale căruciorului afectează stabilitatea acestuia.

- ! Se interzice utilizarea accesoriilor care nu sunt aprobate de către producător. Trebuie utilizate doar piese de schimb furnizate sau recomandate de către producător.
- ! Pentru sisteme de reținere a sugariilor utilizate în combinație cu un cadru, vehiculul nu înlocuiește pătuțul sau patul. În cazul în care copilul trebuie să doarmă, puneți copilul într-un cărucior, pătuț pliant sau pat adecvat.
- ! Pentru a evita sufocarea, îndepărtați pungă de plastic și materialele de ambalare înainte de a utiliza acest produs. Punga de plastic și materialele de ambalare trebuie apoi ferite de sugari și copii.
- ! Pătuțul portabil este adecvat doar pentru copii care nu pot sta în fund fără a fi ajutați, nu se pot rostogoli și nu se pot ridica pe cont propriu împingându-se în mâini și genunchi. Greutatea maximă a copilului: 9 kg.
- ! NU folosiți și nu adăugați alte saltele decât cea furnizată de pătuțul portabil.
- ! Asamblarea trebuie efectuată de un adult.
- ! Citiți toate instrucțiunile din manual înainte de utilizarea produsului. Păstrați acest manual de instrucțiuni pentru utilizare ulterioară. Nerespectarea acestor avertismente și instrucțiuni poate cauza vătămări corporale grave sau decesul.
- ! Pentru a evita accidentările grave cauzate de căderi sau alunecări, utilizați întotdeauna centura.
- ! Asigurați-vă că nu există pericolul ca piesele în mișcare să intre în contact cu copilul la reglarea căruciorului.
- ! Nu utilizați niciodată căruciorul pe stări sau pe scări rulante.
- ! Păstrați departe de obiecte la temperaturi mari, lichide și electronice.
- ! Nu amplasați niciodată căruciorul pe șosele, pante sau în zone periculoase.
- ! Pentru a evita strangularea, NU plasați obiecte cu corzi în jurul gâtului copilului, nu agățați corzi de acest produs și nu atașați șnururi la jucării.
- ! NU utilizați coșul de depozitare pentru a transporta copii.
- ! Pentru a evita prinderea degetelor, pliați și desfaceți cu grijă căruciorul.

- ! Pentru a garanta siguranța copilului dvs., asigurați-vă că toate componentele sunt asamblate și fixate corect, înainte de a utiliza căruciorul.
- ! Pentru a evita strangularea, asigurați-vă că bebelușul nu este deranjat de baldachin.
- ! Acționați întotdeauna frânele când parcați căruciorul.
- ! Nu mai utilizați căruciorul dacă este deteriorat sau rupt.
- ! Pentru a evita arsurile, nu puneți niciodată lichide fierbinți în suporturile pentru sticle.
- ! Acest produs este potrivit pentru copiii de până la 22 kg sau vârsta de 4 ani, oricare dintre cele două survine mai întâi.

Asamblarea căruciorului

(consultați figurile de la paginile 1-16)

Citiți toate instrucțiunile din manual înainte de asamblarea și utilizarea acestui produs.

Pentru a deschide căruciorul

consultați imaginile ① - ④

Desprindeți mânerul de depozitare de suportul de depozitare ①, apoi ridicați mânerul ②, un sunet de clic înseamnă că a fost complet deschis căruciorul.

Scaunul este reversibil. ④

! Asigurați-vă că mecanismul căruciorului este complet blocat înainte de a continua utilizarea.

Asamblarea și demontarea roților din față

consultați imaginile ⑤ - ⑥

Asamblarea și demontarea roților din spate

consultați imaginile ⑦ - ⑧

Asamblarea baldachinului

consultați imaginile ⑨ - ⑪

Asamblarea și demontarea suportului pentru pahar

consultați imaginile ⑫ - ⑬

Căruciorul asamblat complet este indicat ca ⑭

Funcționarea căruciorului

Reglarea spătarului

consultați imagina 15

Există 4 unghiuri de reglare a spătarului.

Pentru a ridica sau înclina spătarul, rotiți mânerul de înclinare de pe spatele scaunului, trageți în jos de spătar. 15

! Nu apăsați butonul de eliberare 15 - 3 de pe mijlocul mânerului de înclinare atunci când reglați unghiul de înclinare.

! Asigurați-vă că înclinarea este fixată corect înainte de utilizare.

! Sarcina maximă a buzunarului de depozitare de pe spatele spătarului este de 0,45 kg.

Utilizarea cataramii

consultați imaginile 16 - 17

Decuplarea cataramii

Apăsați butonul, catarama se va elibera automat. 16

Blocarea cataramii

Aliniați catarama curelei de talie cu catarama curelei de umăr 17 - 1 și aliniați-le cu catarama centrală, iar catarama se va bloca automat. 17 - 2 Un sunet de „clic” înseamnă că a fost blocată complet catarama. 17 - 3

! Pentru a evita accidentările grave cauzate de căderi sau alunecări, fixați întotdeauna copilul cu hamul.

! Asigurați-vă că ați fixat strâns copilul. Spațiul dintre copil și hamul de umăr este de aproximativ o lățime de mână.

! Nu încrucișați curelele de umăr. Aceasta va pune presiune asupra gâtului copilului.

Utilizarea hamurilor de umăr și de talie

consultați imaginile 18 - 23

! Pentru a proteja copilul astfel încât acesta să nu cadă, după ce copilul este așezat în scaun, verificați dacă hamurile de umăr și de la piept au înălțimea și lungimea corespunzătoare.

18 - 1 Prindere ham pentru umeri

18 - 2 Dispozitiv de reglare

Pentru copiii mai mari, folosiți punctul de fixare a hamului și orificiile superioare pentru umeri. Pentru copiii mai mici, folosiți punctul de fixare a hamului și cele mai joase orificii pentru umeri.

Pentru a regla poziția ancorei hamului pentru umăr, rotiți ancora cu latura orientată în față. Treceți-o prin fanta pentru hamul de umăr, din spate în față. 21 Treceți-o din nou prin fanta cea mai apropiată de înălțimea umărului copilului. 22

Utilizați dispozitivul de reglare pentru a modifica lungimea hamului. 23 - 1

Apăsați butonul 23 - 2, în timp ce trageți hamul de talie la lungimea corespunzătoare. 23 - 3

Utilizarea barei de sprijin pentru mâini

consultați imaginile 24 - 26

Reglarea suportului pentru gambe

consultați imaginile 27 - 28

Suportul pentru gambe are 2 poziții.

Pentru a coborî suportul pentru gambe, apăsați pe butoanele de reglare de pe ambele părți ale suportului pentru gambe 27 - 1 și rotiți suportul pentru gambe în jos. 27 - 2

Pentru a ridica suportul pentru gambe, împingeți-l în sus. Un sunet „clic” înseamnă că a fost blocat complet suportul pentru gambe.

Utilizarea dispozitivelor de blocare a pivotării pe roțile din față

Consultați imaginile 29

Rotiți blocarea pivotării spre stânga pentru orientare, rotiți spre dreapta pentru eliberare 29

Sfat Se recomandă să utilizați dispozitivele de blocare a pivotării pe suprafețele denivelate.

Utilizarea frânei

consultați imaginile 30 - 31

Pentru a bloca roțile, călcați pe maneta de frână. 30

Pentru a elibera roțile, ridicați maneta de frână. 31

Sfat Acționați întotdeauna frâna de picior când căruciorul nu se mișcă.

Utilizarea baldachinului

consultați imaginile 32 - 34

Baldachinul poate fi deschis complet pentru a vă proteja copilul de soare la maximum, desfăceți fermoarul 33, apoi trageți baldachinul în față.

Reglarea mânerului

Consultați imaginile 35

Schimbarea scaunului

consultați imaginile 36 - 39

Utilizarea sacului de depozitare

Consultați imaginile 40

Sarcina maximă a fiecărui sac de depozitare de pe ambele părți ale coșului este de 0,45 kg.

Plierea căruciorului

consultați imaginile 41 - 49

! Butonul din mijlocul mânerului de înclinare este utilizat pentru pliarea scaunului. 42 - 1

! Căruciorul pliat poate fi pus în poziție verticală atunci când mânerul este în poziția cea mai joasă. 46

! Mânerul de blocare se va agăța automat de suportul de depozitare, apoi căruciorul este pliat și blocat complet. 46 49

Utilizarea accesoriilor

Accesoriile pot fi achiziționate separat sau nu sunt disponibile în funcție de regiune.

Utilizarea cu dispozitive de reținere a sugarilor

consultați imaginile 50 - 55

Când utilizați împreună cu sisteme de reținere a sugarilor Joie iGemm 2 și iLevel și iSnug, consultați următoarele instrucțiuni.

! Un sunet „clic” înseamnă că a fost blocat complet adaptorul.

! Dacă aveți probleme cu utilizarea scaunului pentru sugari, consultați manualele de instrucțiuni ale dispozitivelor.

! Nu pliați căruciorul atunci când încă este atașat sistemul de reținere a sugarilor.

Utilizarea pătuțului portabil

consultați imaginile 56 - 59

Când utilizați împreună cu pătuțul portabil Joie ramble xl, consultați următoarele instrucțiuni.

! Un sunet „clic” înseamnă că a fost blocat complet adaptorul.

! Folosiți întotdeauna salteaua atunci când utilizați pătuțul portabil.

! Dacă aveți probleme cu utilizarea pătuțului portabil, consultați manualele de instrucțiuni ale dispozitivelor.

! NU pliați căruciorul atunci când încă este atașat pătuțul.

Utilizarea husei de ploaie

consultați imaginile 60

Pentru a asambla husa de protecție împotriva ploii, așezați-o peste scaun.

! Dacă folosiți husa de ploaie, verificați întotdeauna ventilația corespunzătoare.

! Atunci când nu o folosiți, curățați și uscați husa de ploaie înainte de a o strânge.

! Nu pliați căruciorul după ce ați montat husa de ploaie.

! În zilele călduroase, nu așezați copilul în căruciorul cu husa de ploaie montată.

Utilizarea buzunarului de depozitare

consultați imaginile 61 - 66

Greutatea maximă totală a buzunarului de depozitare nu trebuie să depășească 1 kg.

Buzunarul de depozitare poate fi scos din coș pentru a fi utilizat separat. 66

Utilizarea insertiei

consultați imaginile 67 - 68

Demontarea și asamblarea părților moi

consultați imaginile 69 - 84

Eliminați bara de sprijin pentru brațe, conform celor afișate 26

Pentru a reasambla părțile moi ale scaunul, urmați pașii de mai sus în ordine inversă 84 - 69

Curățare și întreținere

consultați imaginile 85

! Pentru a curăța cadrul căruciorului, utilizați săpun de uz casnic și apă caldă. Nu utilizați înălbitor sau detergent. Consultați eticheta de îngrijire pentru instrucțiuni despre curățarea părților textile ale căruciorului.

! Părțile moi detașabile pot fi spălate în mașina de spălat. Nu utilizați înălbitor. Nu răsuciți cu forță mare componentele moi și căptușeala interioară pentru a le usca. Poate lăsa cute în husa scaunului și căptușeala interioară.

! Verificați periodic căruciorul pentru a vedea dacă există șuruburi slăbite, piese uzate, material sau cusături sfâșiate. Înlocuiți sau reparați piesele după cum este necesar. Ștergeți periodic componentele de plastic cu o lavetă moale umedă. Uscați întotdeauna componentele de metal ale căruciorului pentru a preveni apariția ruginii, dacă acesta a intrat în contact cu apa.

! Expunerea excesivă la soare sau căldură poate cauza decolorarea sau deformarea pieselor.

! În cazul în care căruciorul se udă, deschideți baldachinul și lăsați-l să se usuce bine înainte de depozitare.

! Dacă scârțâie roțile, utilizați un ulei subțire (de exemplu, spray cu silicon, ulei anti-rugină, sau ulei pentru mecanisme fine). Este important să aplicați ulei în ansamblul axului și al roții. 85

! Atunci când utilizați căruciorul la plajă sau în zone cu mult praf/nisip, curățați căruciorul complet după utilizare, pentru a îndepărta nisipul și sarea de pe mecanismele și ansamblurile roților.

HR Dobro došli u Joie™

Čestitamo vam što ste postali član obitelji Joie! I mi smo uzbuđeni što možemo postati dijelom vašeg putovanja uz vašeg mališana. Dok tijekom putovanja koristite Joie Finiti™ uživat će u visokokvalitetnim, potpuno certificiranim dječjim kolicima odobrenim prema europskim normama o sigurnosti EN 1888- 2:2018. Ovaj proizvod prikladan je za djecu od rođenja do težine 22 kg ili starosti 4 godine, što se od toga prije dogodi. Pažljivo pročitajte ovaj priručnik i slijedite svaki postupak iz uputa kako biste osigurali udobnu vožnju i najbolju zaštitu za svoje dijete.

VAŽNO – PROČITAJTE PAŽLJIVO I SAČUVAJTE ZA BUDUĆU UPORABU.

Posjetite joiebaby.com kako biste preuzeli priručnike i pregledali i ostale izvrsne i praktične Joie proizvode!

Za informacije o jamstvu posjetite web stranicu joiebaby.com

Sadržaj

| | |
|--|------------|
| Slike | 1-16 |
| UPOZORENJE | 365 |
| Sastavljanje kolica | 368 |
| Otvaranje dječjih kolica | 368 |
| Postavljanje i skidanje prednjih kotača | 368 |
| Postavljanje i skidanje stražnjih kotača | 368 |
| Postavljanje krovića | 368 |
| Postavljanje i skidanje držača za čašu | 368 |

| | |
|--|------------|
| Korištenje kolica | 369 |
| Podešavanje naslona | 369 |
| Korištenje kopče | 369 |
| Korištenje traka pojasa za ramena i kukove | 370 |
| Korištenje prečke za ruke | 370 |
| Podešavanje potpore za noge | 370 |
| Korištenje blokade okretanja prednjih kotača | 371 |
| Korištenje kočnice | 371 |
| Korištenje krovića | 371 |
| Podešavanje ručke | 371 |
| Okretanje sjedalice | 371 |
| Korištenje košare za odlaganje | 371 |
| Preklapanje dječjih kolica | 372 |
| Korištenje dodatne opreme | 372 |
| Skidanje i postavljanje obloga i mekih dijelova | 374 |
| Čišćenje i održavanje | 374 |

Hitan slučaj

U hitnom slučaju ili ako se dogodi nesreća najvažnije je pobrinuti se za dijete i odmah mu pružiti prvu pomoć i zdravstvenu skrb.

Podaci o proizvodu

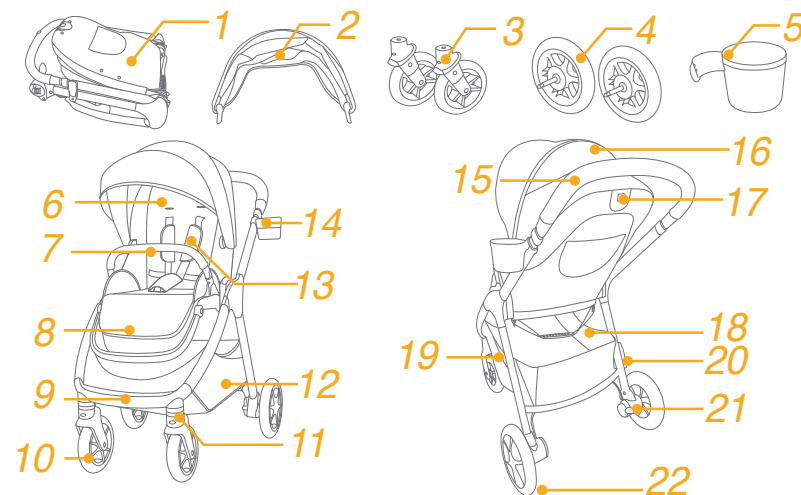
Prije uporabe proizvoda pročitajte sve upute u ovom priručniku. Ako imate dodatna pitanja obratite se prodavaču. Neke značajke mogu se razlikovati prema modelu.

| | |
|---------------|--|
| Proizvod | Dječja kolica Finiti |
| Prikladno za | Ovaj proizvod prikladan je za djecu od rođenja do težine 22 kg ili starosti 4 godine, što se od toga prije dogodi. |
| Materijali | Plastika, metal, tkanine |
| Patent br. | Patenti prijavljeni i čekaju registraciju |
| Proizvedeno u | Kini |
| Robna marka | Joie |
| Web stranica | www.joiebaby.com |
| Proizvođač | Allison GmbH |

Popis dijelova

Prije sklapanja provjerite jesu li raspoloživi svi dijelovi. Ako bilo koji dio nedostaje kontaktirajte lokalnog prodavača. Za sklapanje nije potreban alat.

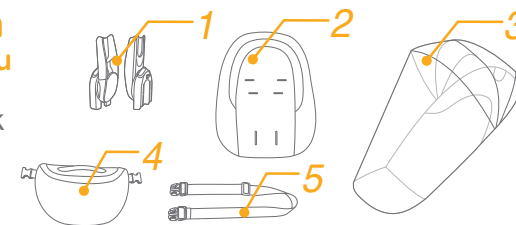
- | | | | |
|----|----------------------|----|------------------------|
| 1 | Okvir dječjih kolica | 12 | Košara za odlaganje |
| 2 | Krović | 13 | Trake pojasa za ramena |
| 3 | Prednji kotačići | 14 | Držač za čašu |
| 4 | Stražnji kotačići | 15 | Ručka |
| 5 | Držač za čašu | 16 | Prozorčić na kroviću |
| 6 | Jastuk sjedalice | 17 | Ručka za naginjanje |
| 7 | Prečka za ruke | 18 | Torba za pohranu |
| 8 | Potpورا za noge | 19 | Torba za pohranu |
| 9 | Oslonac za noge | 20 | Poluga za pohranu |
| 10 | Prednji kotačići | 21 | Poluga kočnice |
| 11 | Blokada okretanja | 22 | Stražnji kotačići |



Dodatna oprema

(Možda nije uključena u isporuku)

- | | | | |
|---|----------------------|---|--------|
| 1 | Adapter | 2 | Umetak |
| 3 | Pokrov protiv kiše | | |
| 4 | Torbica za stvarčice | | |
| 5 | Pojas za nošenje | | |



Dodatna oprema može biti zasebno u prodaji, a ne mora biti raspoloživa ovisno o regiji.

UPOZORENJE

- ! UPOZORENJE Nikad ne ostavljajte dijete bez nadzora.
- ! UPOZORENJE Prije uporabe provjerite jesu li uređaji za blokadu aktivirani.
- ! UPOZORENJE Prilikom sklapanja i rasklapanja ovog proizvoda udaljite dijete kako se ne bi ozlijedio.
- ! UPOZORENJE Ne dopustite djetetu da se igra ovim proizvodom.
- ! UPOZORENJE Prikladno je za djecu težine do 22 kg ili starosti do 48 mjeseci.
- ! UPOZORENJE Uvijek koristite sustav traka pojasa za pričvršćivanje djeteta.
- ! UPOZORENJE Prije upotrebe provjerite jesu li košara za bebu, sjedalica ili uređaji za postavljanje i pričvršćivanje na sjedalo u automobilu pravilno smješteni i aktivirani.
- ! Ovaj proizvod nije prikladan za trčanje ili rolanje.
- ! Dječja kolica koristite samo za prijevoz djeteta ne težeg od 22 kg. Dječja kolica nisu namijenjena za dijete veće težine, pa će se na njima pojaviti oštećenja.
- ! Dječja kolica koja su namijenjena za dijete od rođenja treba do kraja spustiti u najniži položaj kad se koristi za novorođenče.
- ! Prilikom stavljanja i vađenja djeteta iz kolica uvijek je potrebno aktivirati parkirnu kočnicu.
- ! Ne stavljajte više od 4,5kg u košaru za odlaganje kako biste spriječili opasne situacije i nestabilna stanja.
- ! Najveća dopuštena težina koju držač za čašu može nositi je 0,5 kg (1 lbs).
- ! U dječjim kolicima smije biti samo jedno dijete.
- ! Ništa ne pričvršćujte na ručke, na naslon sjedala niti na bočne stranice kolica. Bilo kakav dodatni teret utjecat će na stabilnost kolica i može prouzročiti prevrtanje kolica.
- ! Svaki teret postavljen ili obješen na ručku i/ili na stražnju stranu naslona i/ili na bočne strane dječjih kolica utjecat će na njihovu stabilnost.

- ! Nije dozvoljeno korištenje dodatne opreme koju proizvođač nije odobrio. Potrebno je koristiti isključivo one zamjenske dijelove koje isporučuje ili je preporučio proizvođač.
- ! Dječje autosjedalice za bebu koje se koriste s bazom kolica ne mogu zamijeniti sklopivi ili običan dječji krevetić. Ako dijete treba spavati stavite ga u odgovarajuću košaru za bebu, sklopivi ili običan dječji krevetić.
- ! Uklonite plastičnu vreću i ambalažu prije korištenja ovog proizvoda radi sprječavanja opasnosti od gušenja. Plastičnu vreću i ambalažu treba skloniti i držati dalje od dohvata dojenčadi, beba i djece.
- ! Košara za bebu je prikladna samo za dijete koje ne može samostalno sjediti, prekrenuti se i ne može se odgurnuti i držati na svojim ručicama i koljenima. Maksimalna težina djeteta: 9 kg.
- ! NE KORISTITE i nemojte dodavati madrac osim onoga koji je isporučen s košarom za bebu.
- ! Sklapanje treba vršiti odrasla osoba.
- ! Prije uporabe proizvoda pročitajte sve upute u ovom priručniku. Spremite priručnik s uputama za buduću uporabu. Nepoštivanje ovih upozorenja i uputa može predstavljati opasnost i prouzročiti ozbiljne ozljede sa smrtnim ishodom.
- ! Radi sprječavanja ozbiljnih ozljeda zbog ispadanja ili isklizavanja, uvijek stavljajte pojas sjedalice.
- ! Prilikom podešavanja kolica provjerite je li tijelo djeteta izvan dohvata pokretnih dijelova.
- ! Nikad ne vozite niti ne koristite kolica na običnim ili pokretnim stubama.
- ! Držite podalje od predmeta i tekućina visoke temperature kao i elektronike.
- ! Nikad ne stavljajte kolica na ceste, kosine ili opasna područja.
- ! Radi sprječavanja mogućeg davljenja NE postavljajte predmete s užadi ili nitima oko dječjeg vrata, maknite viseće trake s ovog proizvoda i ne stavljajte trake na igračke.
- ! NE koristite košaru za odlaganje za vožnju ili nošenje djeteta.
- ! Pazite prilikom sklapanja ili rasklapanja kolica kako si ne biste priklještili prste.

- ! Prije korištenja kolica, a radi sigurnosti djeteta provjerite jesu li svi dijelovi kolica pravilno sklopljeni i učvršćeni.
- ! Pazite i provjerite kako dijete nije blizu krovića kako se ne bi ugušilo.
- ! Prilikom zaustavljanja kolica uvijek aktivirajte kočnice.
- ! Prestanite koristiti kolica ako su oštećena ili slomljena.
- ! Radi sprječavanja opekotina nikad ne nalijevajte vruće tekućine u posudu u držaču za čašu.
- ! Ovaj proizvod prikladan je za djecu od rođenja do težine 22 kg ili starosti 4 godine, što se od toga prije dogodi.

Sastavljanje kolica

(Pogledajte slike na stranicama 1 - 16)

Prije sklapanja i uporabe ovog proizvoda pročitajte sve upute u ovom priručniku.

Otvaranje dječjih kolica

pogledajte slike 1 - 4

Odvojite polugu za pohranu od nosača pohrane ①, a zatim podignite ručku prema gore ②, zvuk klik označit će da su dječja kolica potpuno otvorena.

Sjedralicu je moguće okrenuti na drugu stranu. ④

! Prije korištenja provjerite jesu li dječja kolica u potpunosti pričvršćena.

Postavljanje i skidanje prednjih kotača

pogledajte slike 5 - 6

Postavljanje i skidanje stražnjih kotača

pogledajte slike 7 - 8

Sklapanje krovića

pogledajte slike 9 - 11

Postavljanje i skidanje držača za čašu

pogledajte slike 12 - 13

Potpuno sklopljena kolica prikazana su na slici ⑭

Korištenje kolica

Podešavanje naslona

pogledajte sliku 15

Postoje 4 kuta nagiba naslona.

Za podizanje ili spuštanje naslona zakrenite ručku za naginjanje na stražnjoj strani sjedalice, povucite dolje na stražnji dio naslona. 15

! Nikako nemojte pritisnuti gumb za otpuštanje 15 - 3 na sredini ručke za naginjanje dok namještate kut nagiba naslona.

! Provjerite je li nagib pravilno namješten za upotrebu.

! Maksimalno opterećenje džepa za odlaganje na stražnjoj strani naslona je 0,45 kg.

Korištenje kopče

pogledajte slike 16 - 17

Oslobađanje kopče

Pritisnite gumb, kopča će se automatski osloboditi. 16

Zaključavanje kopče

Na kopču pojasa preko kukova postavite odgovarajuću kopču pojasa za rame 17 - 1 i poravnajte ih sa središnjom kopčom, kopča se sada može automatski zakopčati. 17 - 2 Zvuk „klik“ znači da je kopča pravilno zakopčana. 17 - 3

! Radi sprječavanja ozbiljnih ozljeda zbog ispadanja ili iskliznuća, dijete uvijek pričvrstite trakama pojasa.

! Provjerite je li dijete pravilno i sigurno pričvršćeno. Razmak između djeteta i traka pojasa za djetetova ramena mora biti približno debljine jednog prsta.

! Ne križajte trake pojasa za ramena. To će prouzročiti pritisak na djetetov vrat.

Korištenje traka pojasa za ramena i kukove

pogledajte slike 18 - 23

! Kako bi zaštitili dijete od ispadanja, nakon što ga stavite u sjedalicu provjerite jesu li trake pojasa za ramena i kukove na pravilnoj visini i jesu li pravilne duljine.

18 - 1 Učvršćivač trake pojasa za ramena

18 - 2 Klizni dio za podešavanje

Za veće dijete koristite učvršćivač trake pojasa za ramena i najviše otvore za trake pojasa za ramena. Za manje dijete koristite učvršćivač trake pojasa i niže otvore za trake pojasa za ramena.

Za podešavanje položaja učvršćivača trake pojasa za ramena okrenite učvršćivač kako bi bio u ravnini sa stranom okrenutom prema naprijed. Povucite ih kroz otvor za trake pojasa za ramena sa stražnje na prednju stranu. 21 Ponovno povucite kroz otvor koji je najbliži visini djetetovih ramena. 22

Koristite klizni dio za podešavanje kako bi promijenili duljinu traka pojasa. 23 - 1

Pritisnite gumb 23 - 2 dok povlačite trake pojasa za ramena na pravilnu duljinu. 23 - 3

Korištenje prečke za ruke

pogledajte slike 24 - 26

Podešavanje potpore za noge

pogledajte slike 27 - 28

Potpore za noge ima 2 položaja.

Za spuštanje potpore za noge pritisnite gumb za podešavanje na obje strane potpore za noge 27 - 1 i zakrenite potporu za noge prema dolje. 27 - 2

Za podizanje potpore za noge gurnite je prema gore. Zvuk „klik“ znači da je potpora pravilno blokirana.

Korištenje blokade okretanja prednjih kotača

pogledajte slike 29

Zakrenite blokadu zakretanja ulijevo radi blokiranja, zakrenite udesno radi oslobađanja 29

Savjet Na neravnim površinama preporučuje se koristiti blokadu okretanja kotača.

Korištenje kočnice

pogledajte slike 30 - 31

Za blokadu kotača nogom pritisnite polugu kočnice prema dolje. 30

Za oslobađanje kotača jednostavno podignite polugu kočnice prema gore. 31

Savjet Uvijek aktivirajte kočnicu čim zaustavite dječja kolica.

Korištenje krovića

pogledajte slike 32 - 34

Krović se može u potpunosti otvoriti radi čim bolje zaštite djeteta od sunca, potrebno je samo otvoriti patentni zatvarač 33 i povući krović prema naprijed.

Podešavanje ručke

pogledajte slike 35

Izmjena usmjerenja sjedalice

pogledajte slike 36 - 39

Korištenje košare za odlaganje

pogledajte slike 40

Maksimalno opterećenje svake od torbica na bočnim stranama košare za odlaganje je 0,45 kg.

Preklapanje dječjih kolica

pogledajte slike 41 - 49

! Za preklapanje dječjih kolica koristi se gumb na sredini ručke za naginjanje. 42 - 1

! Preklopljena dječja kolica mogu samostalno stajati kad je ručka u najnižem položaju. 46

! Kad poluga za pohranu automatski zahvati nosač za pohranu kolica su potpuno preklopljena i blokirana. 46 49

Korištenje dodatne opreme

Ovisno o regiji dodatna oprema može biti zasebno u prodaji ili uopće ne mora biti raspoloživa.

Korištenje s autosjedralicom za bebu

pogledajte slike 50 - 55

Prilikom korištenja s Joie autosjedralicom za bebu iGemm 2, iLevel i iSnug pratite sljedeće upute.

! Zvuk „klik“ znači da je adapter pravilno zakopčan.

! Ako imate bilo kakvih problema u svezi korištenja autosjedalice za bebu, pogledajte upute za uporabu te autosjedalice.

! Ne preklapajte dječja kolica dok je na njih postavljena i pričvršćena autosjedralica za bebu.

Korištenje košare za bebu

pogledajte slike 56 - 59

Prilikom uporabe s Joie ramble xl košarom za bebu, pratite Sljedeće upute.

! Zvuk „klik“ znači da je adapter pravilno zakopčan.

! Kad koristite košaru za bebu uvijek koristite i njezin madrac.

- ! Ako imate bilo kakvih problema u svezi korištenja košare za bebu, pogledajte upute za uporabu te košare za bebu.
- ! Ne preklapajte dječja kolica dok je na njih postavljena i pričvršćena košara za bebu.

Korištenje pokrova protiv kiše pogledajte slike 60

Za pričvršćivanje pokrova protiv kiše postavite ga preko sjedalice.

- ! Pri korištenju pokrova protiv kiše uvijek provjerite prozračivanje ispod pokrova.
- ! Ako se pokrov protiv kiše više ne koristi prije sklapanja provjerite je li očišćen i suh.
- ! Ne preklapajte dječja kolica nakon postavljanja pokrova protiv kiše.
- ! Tijekom toploga vremena ne stavljajte dijete u dječja kolica na kojima je postavljen pokrov protiv kiše.

Korištenje torbice za stvarčice pogledajte slike 61 - 66

Ukupna maksimalna težina torbice za stvarčice ne smije biti veća od 1 kg.

Torbica za stvarčice može se skinuti s košare za bebu i zasebno koristiti. 66

Korištenje umetka za bebu pogledajte slike 67 - 68

Skidanje i postavljanje obloga i mekih dijelova

pogledajte slike 69 - 84

Uklonite prečku za ruke kao na slici 26

Za ponovno postavljanje obloga i mekih dijelova slijedite gore navedene korake obrnutim redoslijedom 84 - 69

Čišćenje i održavanje

pogledajte slike 85

- ! Za čišćenje okvira dječjih kolica koristite samo običan sapun i toplu vodu. Bez izbjeljivača ili deterdženta. Pogledajte naljepnicu za održavanje s uputama za čišćenje dijelova kolica od tkanine.
- ! Obloge i meki dijelovi mogu se prati u perilici. Bez izbjeljivača. Ne savijajte pokrov sjedalice velikom silom radi iscjedivanja i unutarne umetke radi sušenja. To može ostaviti nabore na oblozi sjedala i unutarjem umetku.
- ! S vremena na vrijeme provjerite zategnutost vijaka na dječjim kolicima i provjerite je li materijal istrošen i jesu li šavovi poderani. Prema potrebi zamijenite ili popravite dijelove. Povremeno plastične dijelove obrišite mekom vlažnom krpom. Uvijek osušite metalne dijelove kako bi spriječili stvaranje hrđe ako su kolica bila izložena vodi.
- ! Dulje izlaganje suncu ili toplini može prouzročiti blijedenje ili uvijanje dijelova.
- ! Ako su kolica vlažna prije pohrane otvorite krovčić i pustite neka se potpuno osuše.
- ! Ako kotačići glasno škripe koristite lagano ulje (na primjer silikonski sprej, ulje protiv hrđe ili ulje za šivaće strojeve). Važno je staviti ulje na sklop osovine i kotača. 85
- ! Nakon korištenja dječjih kolica na plaži ili drugim pješčanim/prašnjavim terenima temeljito očistite kolica kako biste uklonili ostatke pijeska i soli iz mehanizama i sklopova kotača.



Allison GmbH
Adam-Opel-Straße 21 67227
Frankenthal

view all fine signature selections at
joiebaby.com/signature

IM-000348C