



GOLD

CONTACT

EUROPE AND ASIA

gb GmbH
Riedingerstr 18
95448 Bayreuth
Germany
info@gb-online.com
www.gb-online.com

AUSTRALIA

CNP Brands
20 Calarco Drive, VIC, 3030
Australia
Customer Service 1300 667 137
www.cnpbrands.com.au

AMERICAS

Columbus Trading-Partners USA Inc.
560 Harrison Avenue
Boston, MA 02118
USA
Customer Service 1-844-543-2020
<http://register.gb-online.com/us/products>
www.gb-online.com

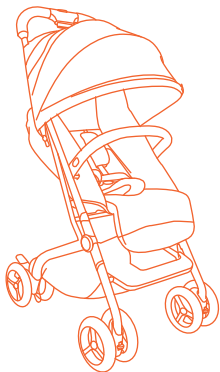
NEW ZEALAND

Wainhouse Distribution,
2-6 Argyle St, Morningside,
PO Box 41-014, St Lukes, Auckland
New Zealand
Customer Service: 0800 567 5000
helpline@wainhousedist.co.nz



QBIT/QBIT+

FUTURE PERFECT





PREPERATION

4



FOLDING

5



USING THE HARNESS SYSTEM

6



USING THE BUMPER BAR

9



USING THE SUN CONOPY

10



ADJUSTING THE SEAT POSITION

11



ADJUSTING THE LEGREST

12



USING THE BRAKE

13



USING THE SWIVEL LOCKS

14



REMOVING THE WHEELS

15



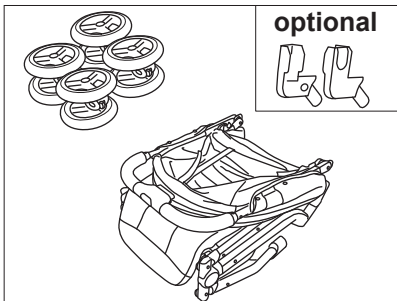
ATTACH THE INFANT CAR SEAT

16

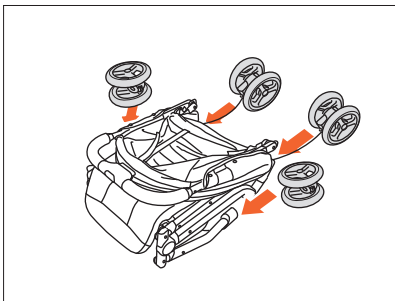


REMOVING THE FABRIC

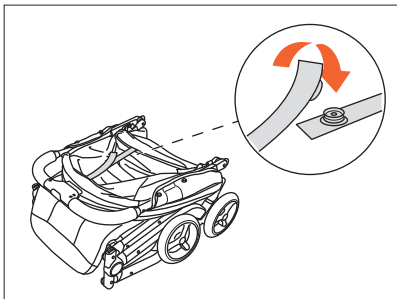
18



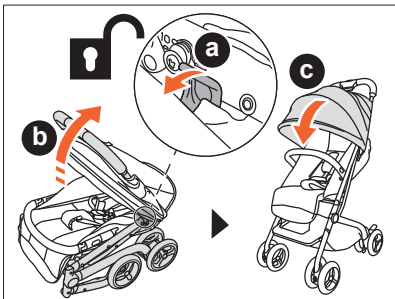
1



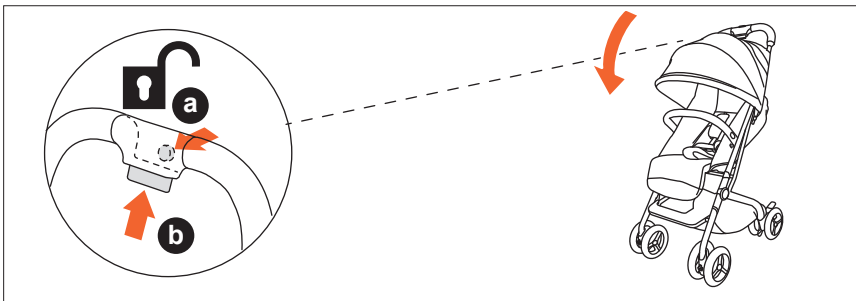
2



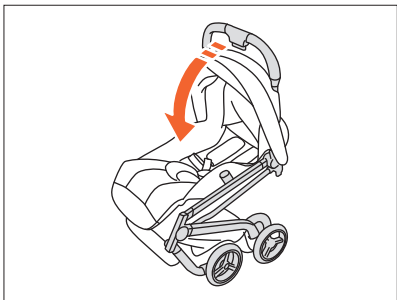
3



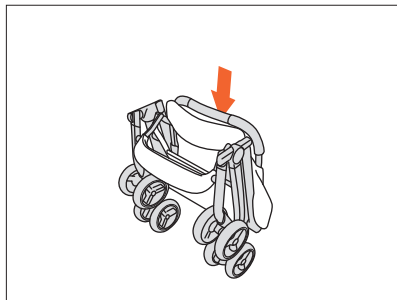
4



1

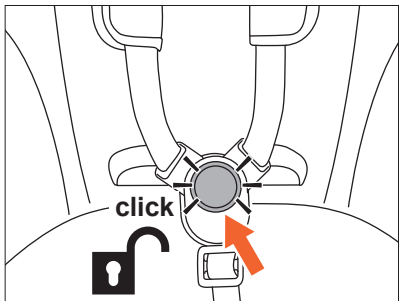


2

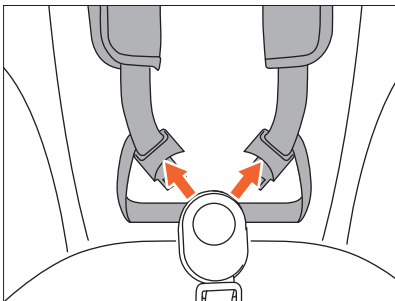


3

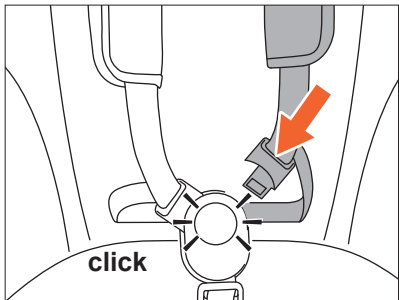




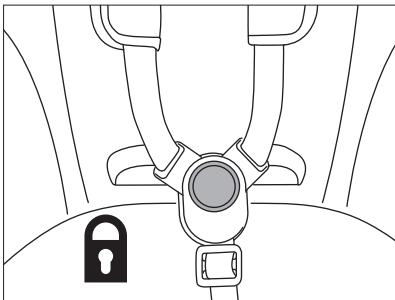
1



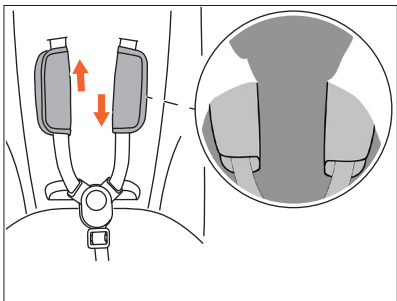
2



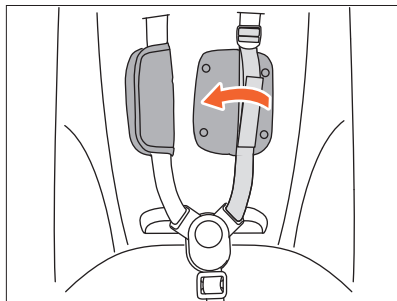
3



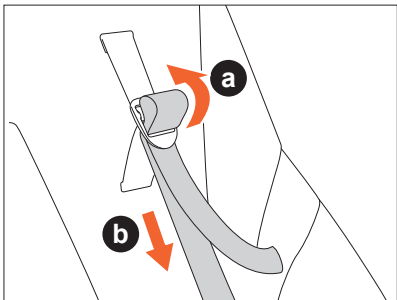
4



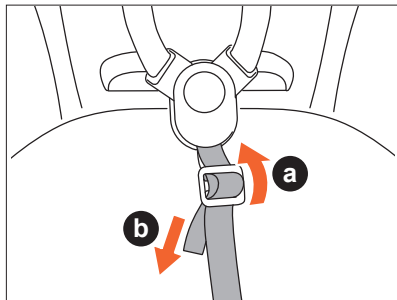
1



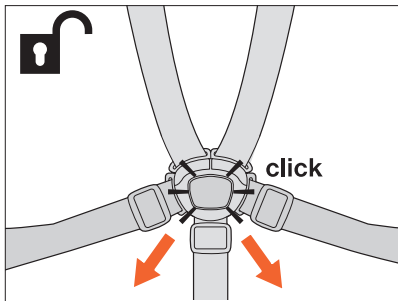
2



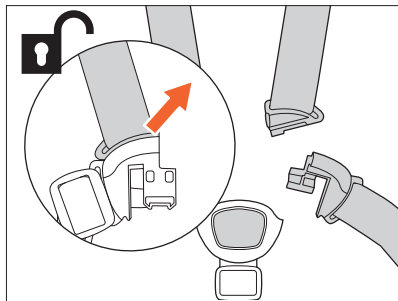
3



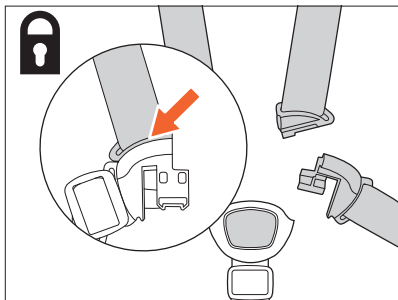
4



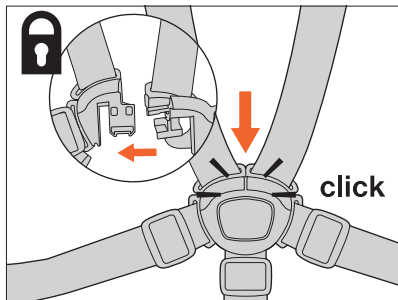
1



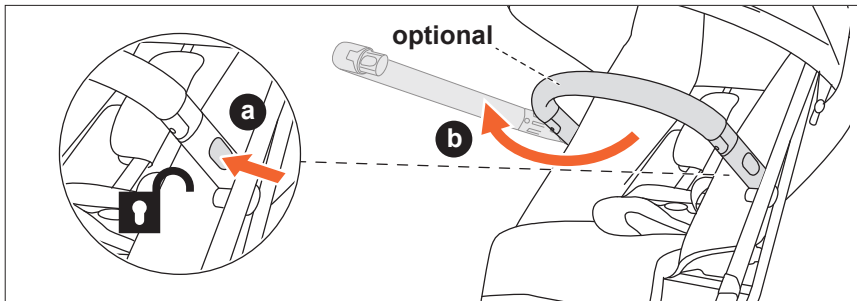
2



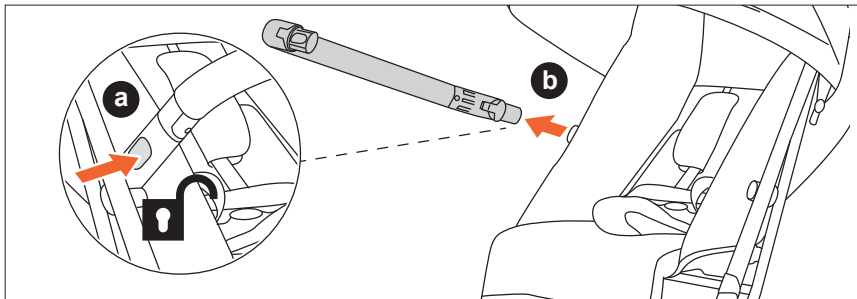
3



4



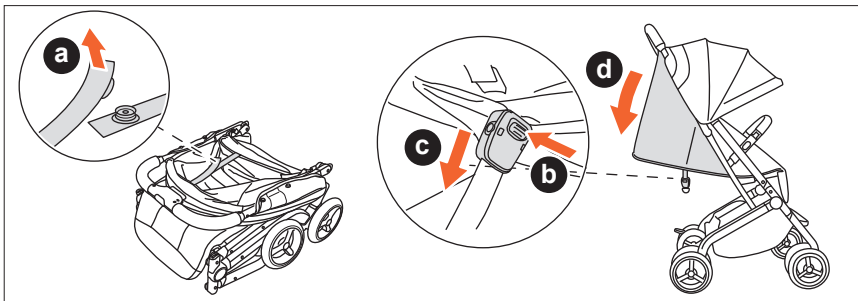
1



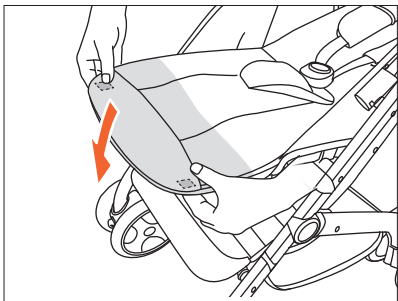
2



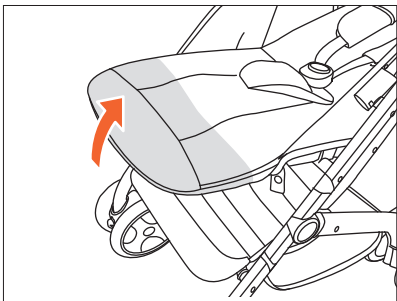
1



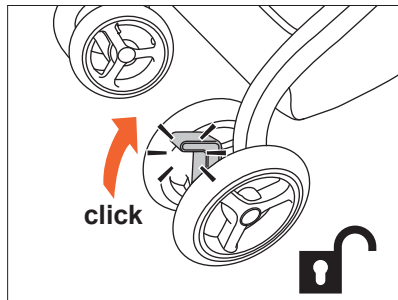
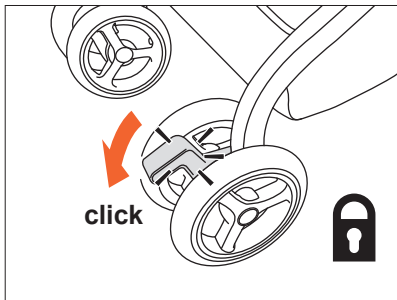
1

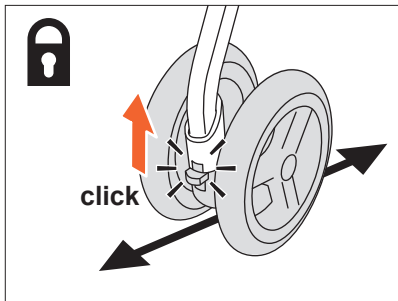


1

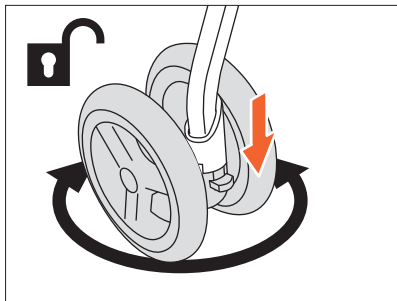


2

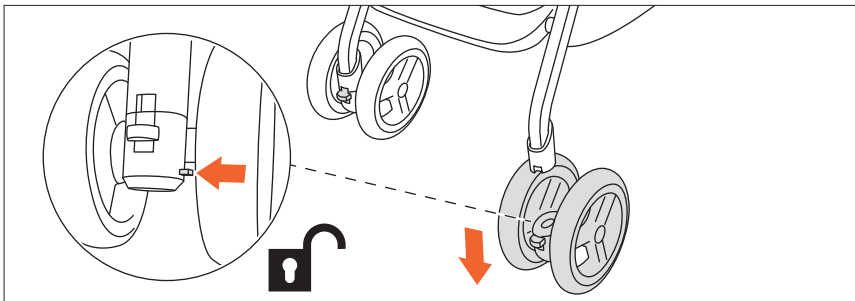




1

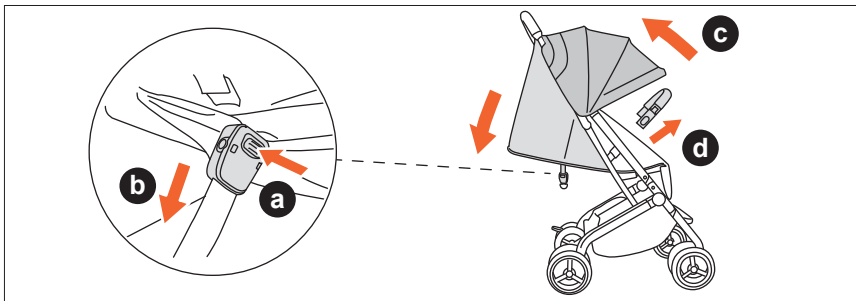


2

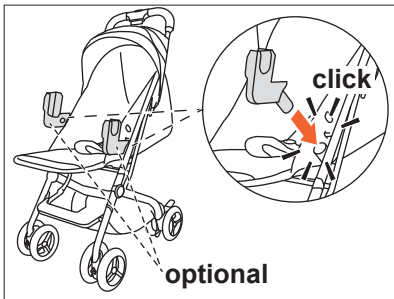


1





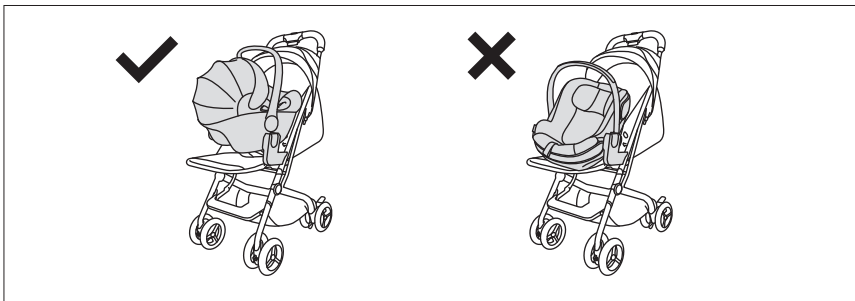
1



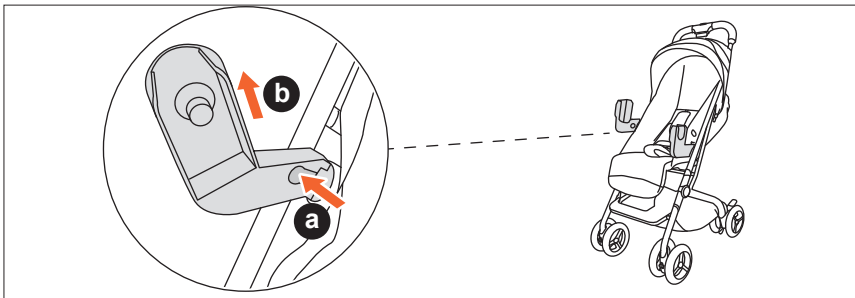
2



3



4



5

