



GOLD

CONTACT

EUROPE AND ASIA

gb GmbH
Riedingerstr 18
95448 Bayreuth
Germany
info@gb-online.com
www.gb-online.com

AUSTRALIA

CNP Brands
20 Calarco Drive, VIC, 3030
Australia
Customer Service 1300 667 137
www.cnpbrands.com.au

AMERICAS

Columbus Trading-Partners USA Inc.
560 Harrison Avenue
Boston, MA 02118
USA
Customer Service 1-844-543-2020
<http://register.gb-online.com/us/products>
www.gb-online.com

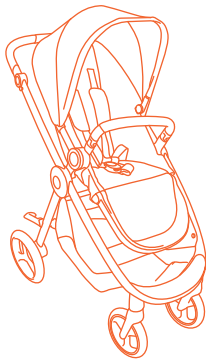
NEW ZEALAND

Wainhouse Distribution,
2-6 Argyle St, Morningside,
PO Box 41-014, St Lukes, Auckland
New Zealand
Customer Service: 0800 567 5000
helpline@wainhousedist.co.nz



BELI

FUTURE PERFECT





PREPARING THE FRAME

4



FOLDING

8



USING THE BUMPER BAR

10



USING THE HARNESS

11



USING THE SUN CANOPY

14



ADJUSTING THE SEAT POSITION

15



ADJUSTING THE FOOTREST

17



ADJUSTING THE HANDLE BAR

18



USING THE BRAKE

19



USING THE SWIVEL LOCKS

20



REMOVING THE WHEELS

21



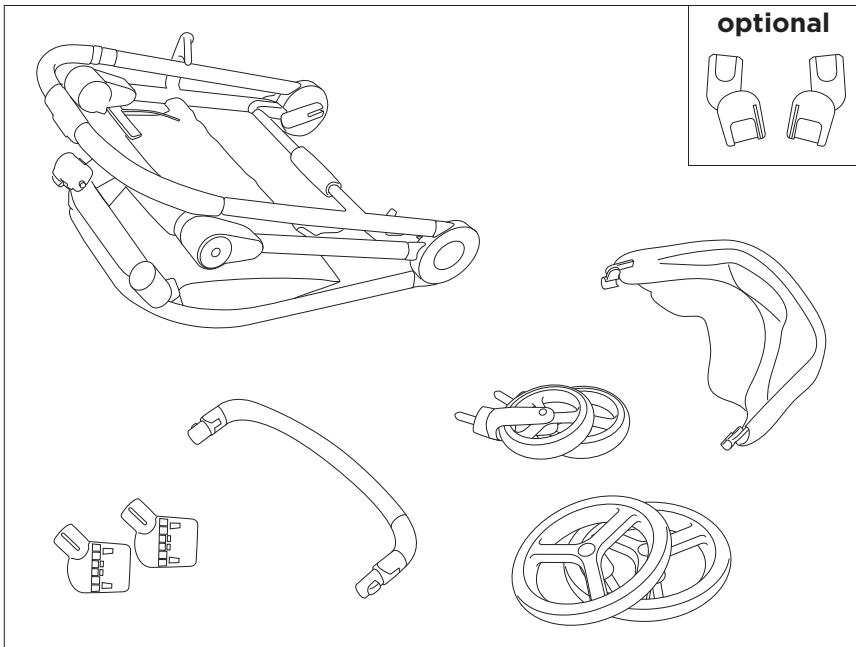
**ATTACHING THE INFANT CAR
SEAT AND CARRYCOT**

22



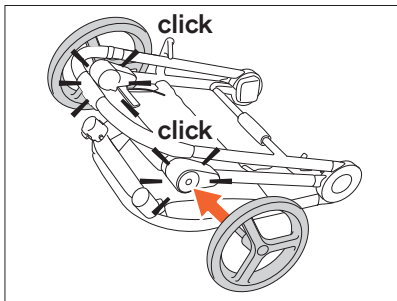
REMOVING THE SEAT FABRIC

24

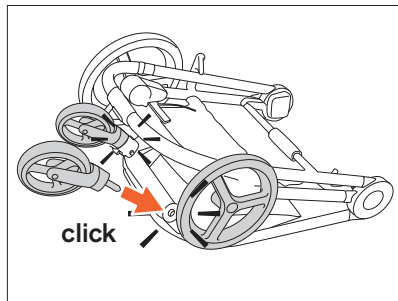


optional

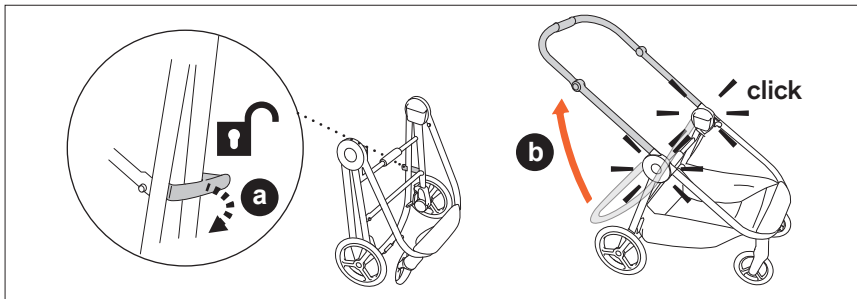




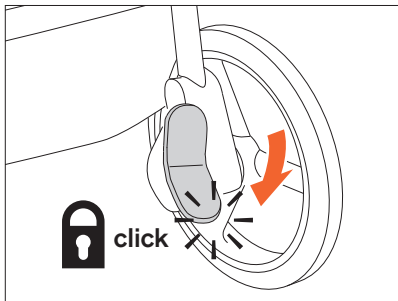
2



3



4



5



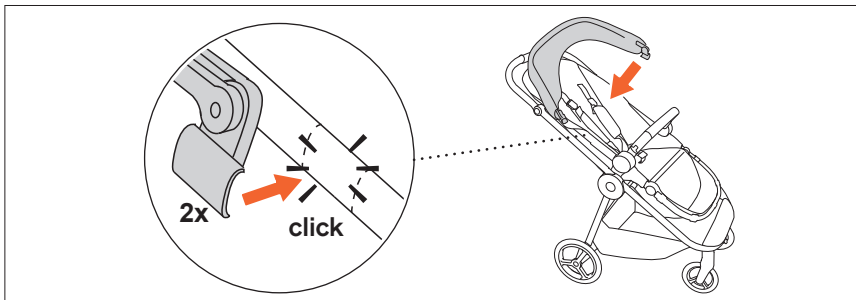
6



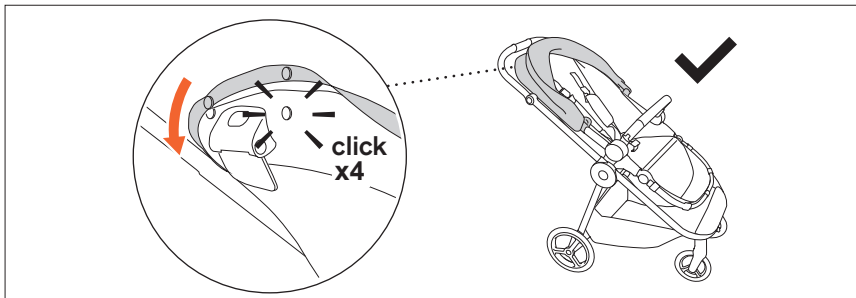
7



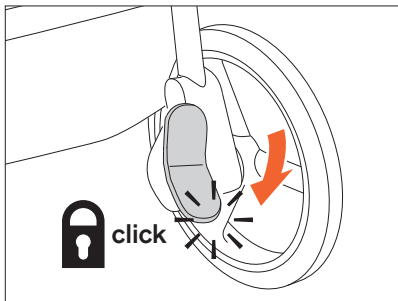
8



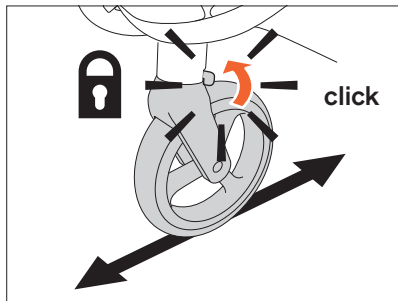
9



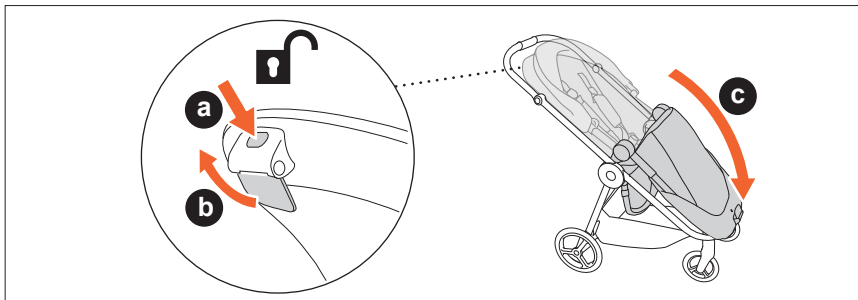
10



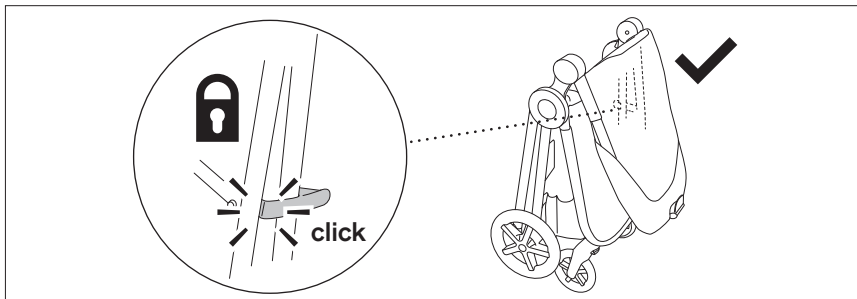
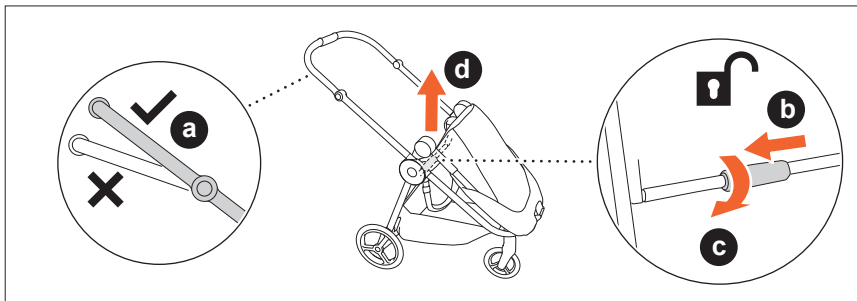
1

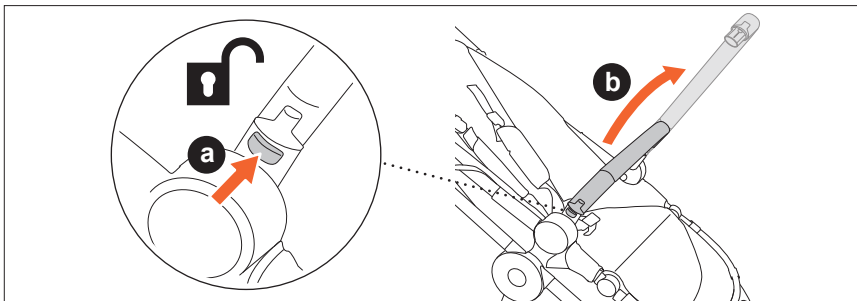


2

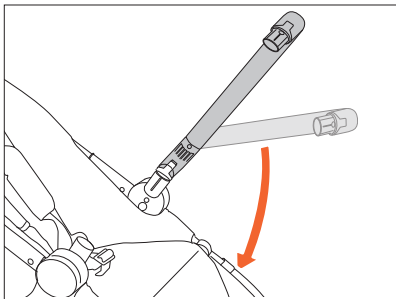


3

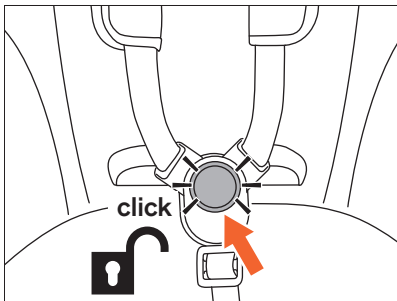




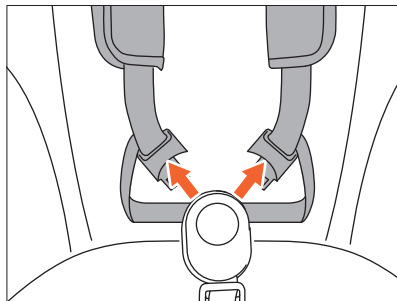
1



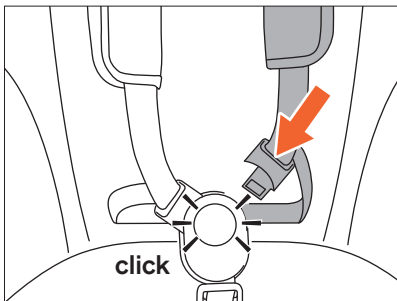
2



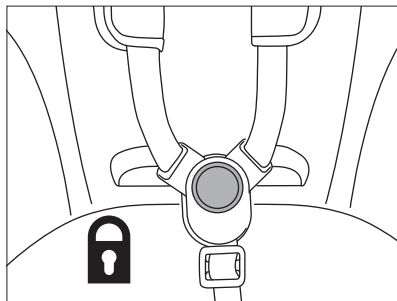
1



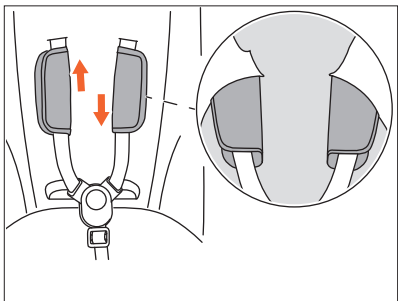
2



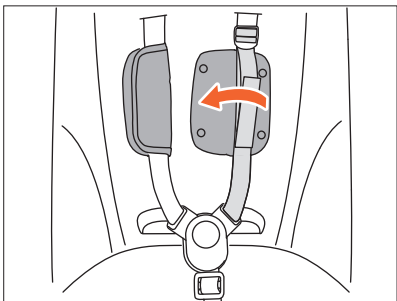
3



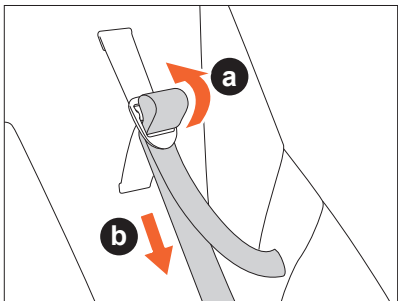
4



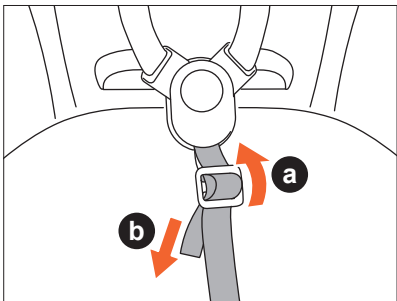
1



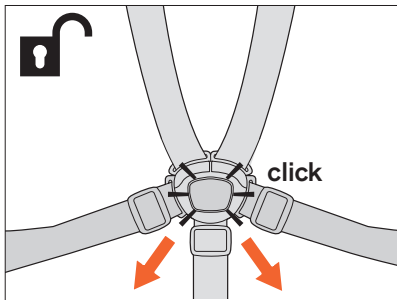
2



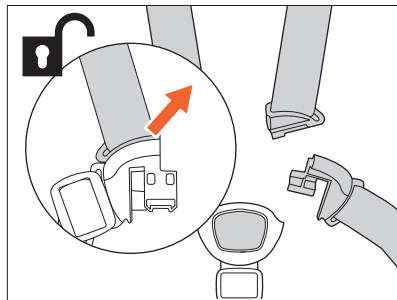
3



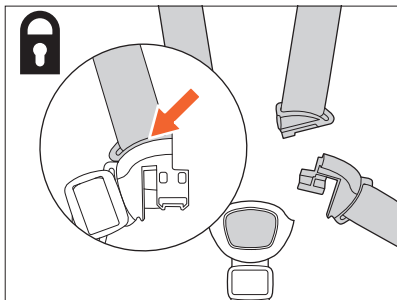
4



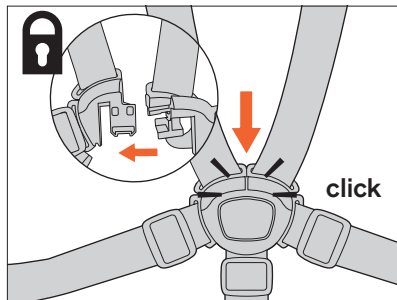
1



2



3



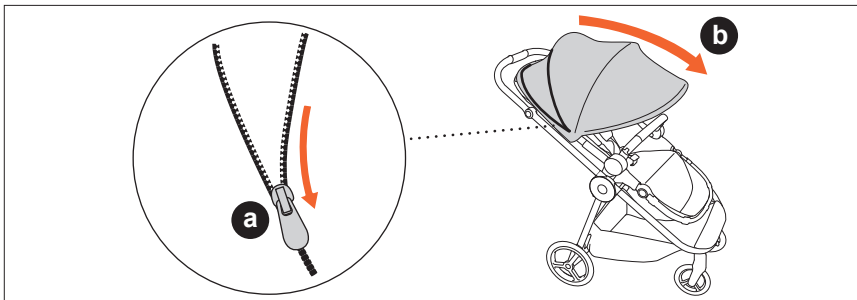
4



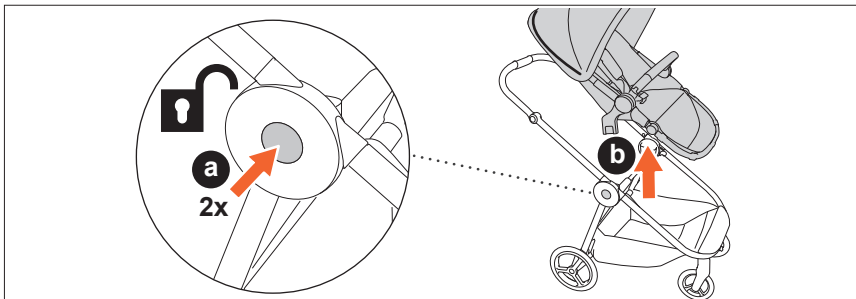
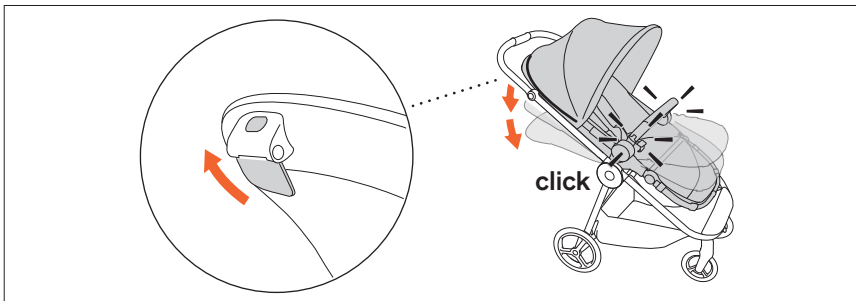
AUS

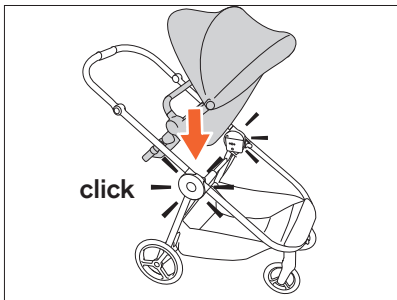


1

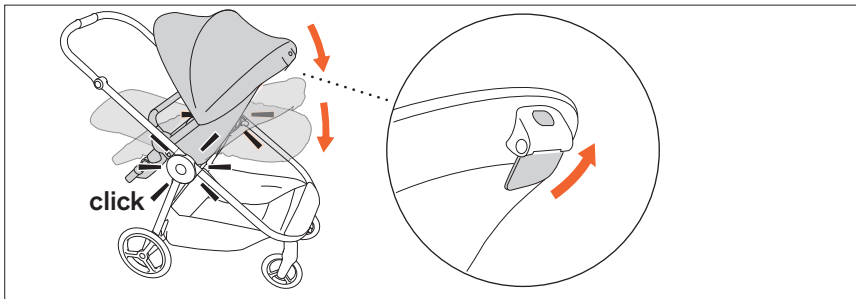


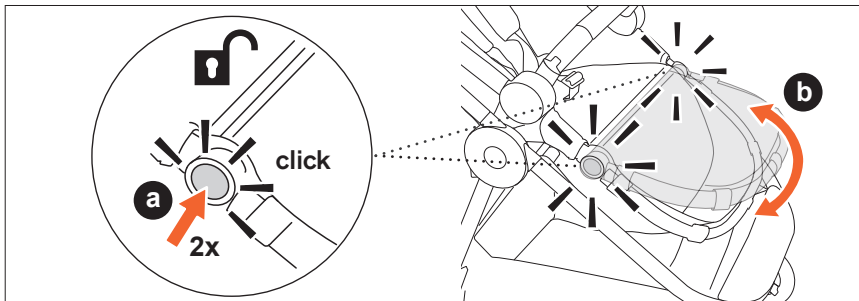
2



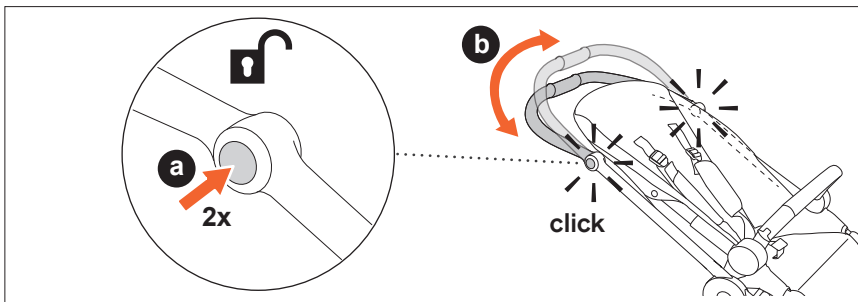


3

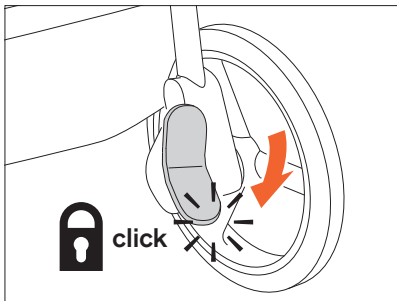




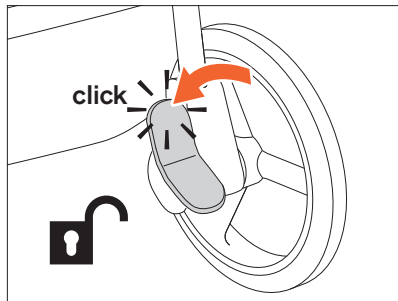
1



1

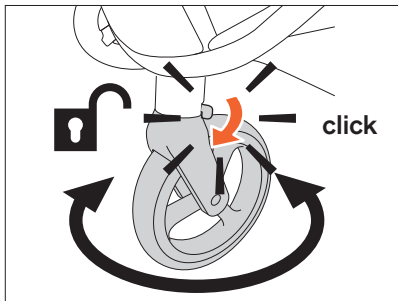


1

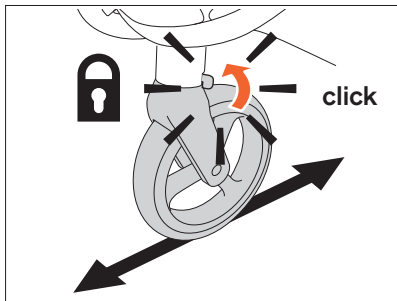


2

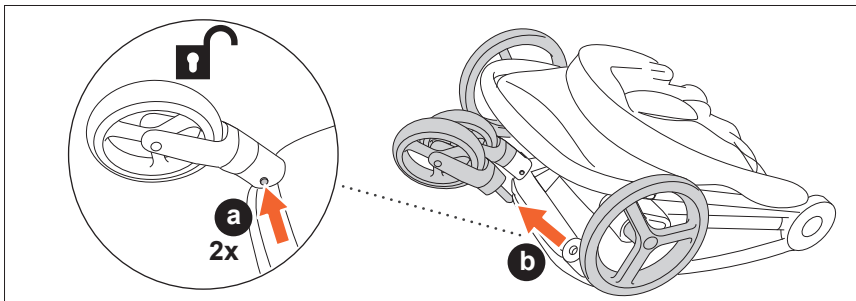




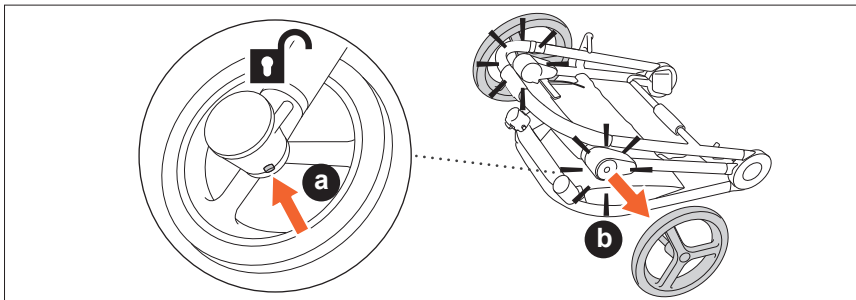
1



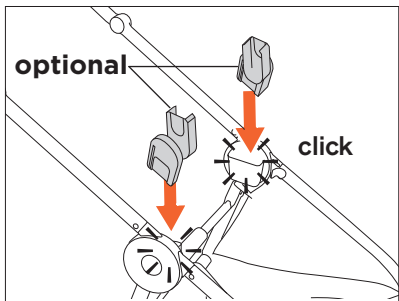
2



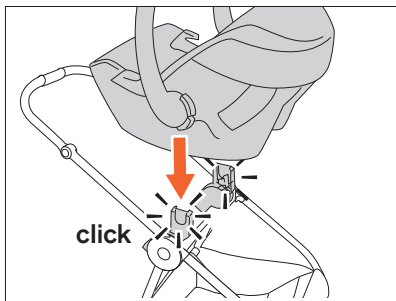
1



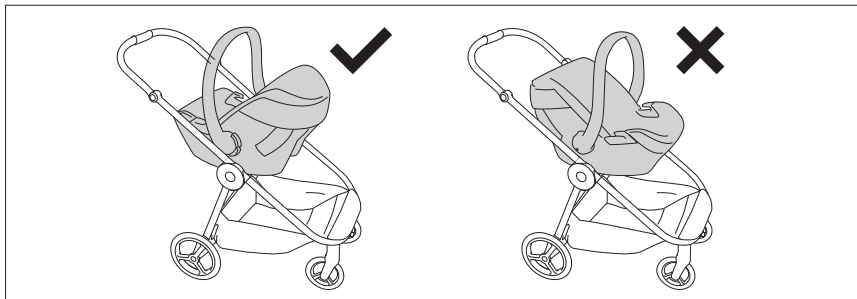
1



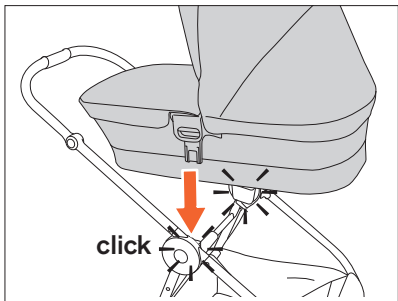
1



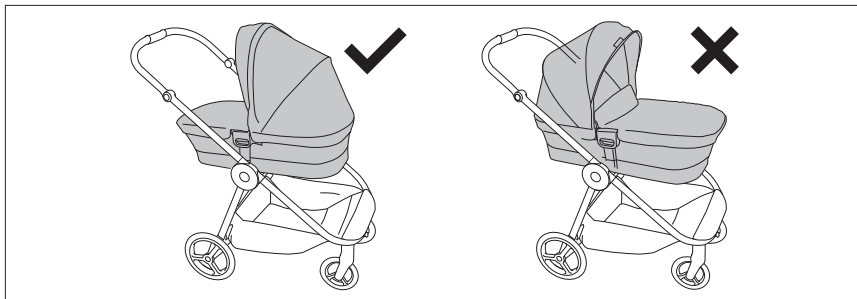
2



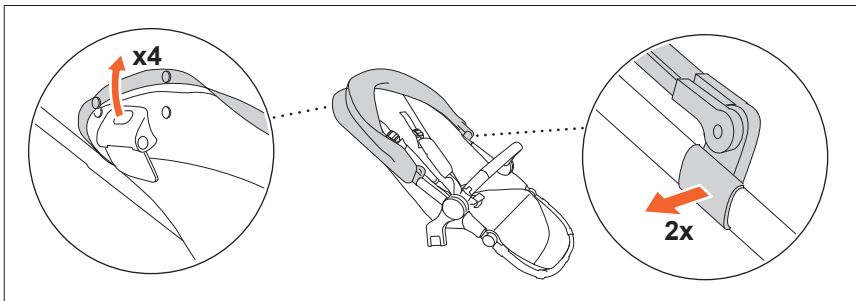
3



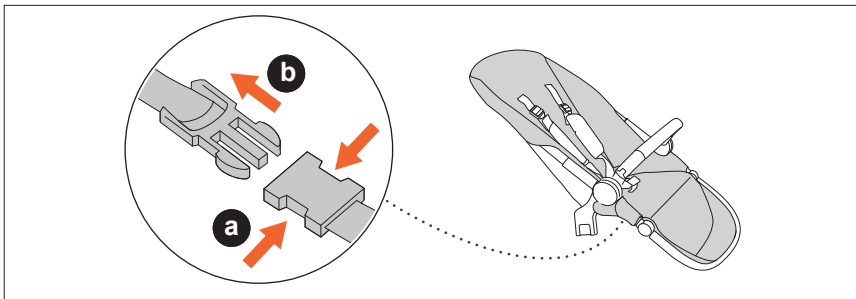
1



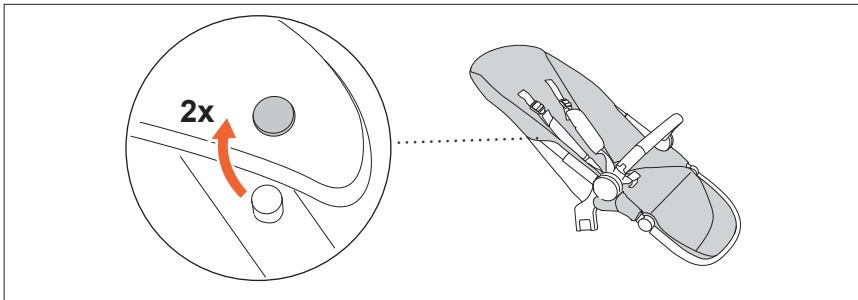
2



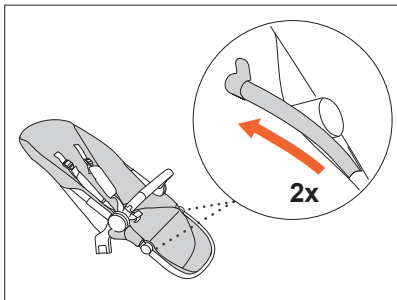
1



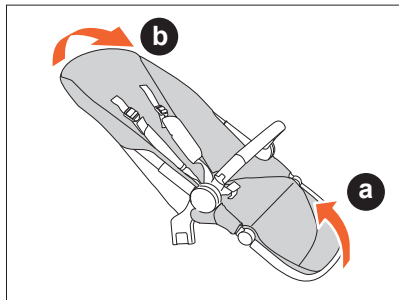
2



3



4



5



