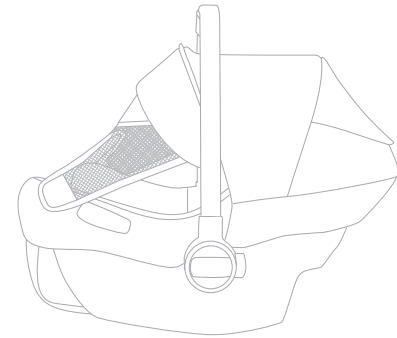


IMG-0119F-1



NUNA[®]

Bugaboo child restraint in
collaboration with Nuna



Bugaboo International BV

Paasheuvelweg 9 a-b
1105BE Amsterdam zuidoost
The Netherlands

NUNA International BV

Van der Valk Boumanweg 178 C
2352JD Leiderdorp
The Netherlands

10049699 UG Bugaboo Turtle Air by Nuna emea rv003 inv4

www.bugaboo.com

meet your bugaboo turtle air
by Nuna

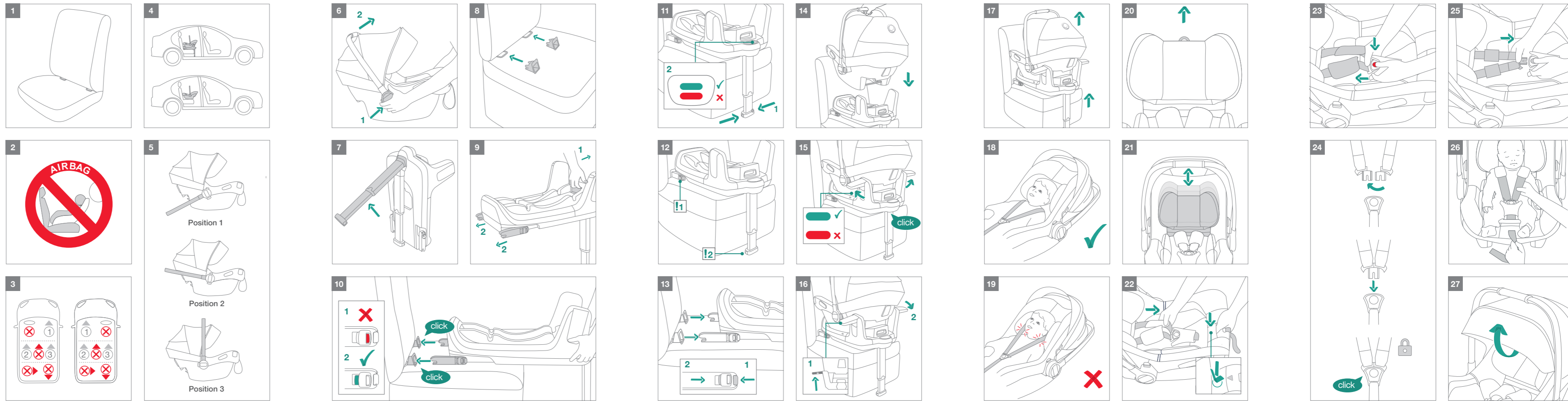
bugaboo[®]

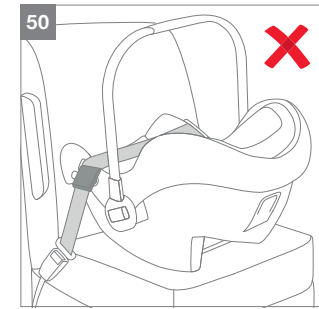
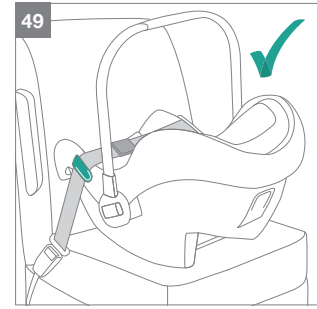
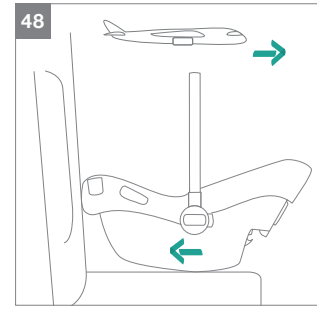
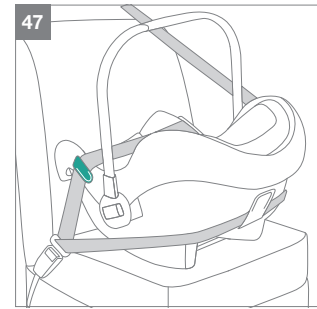
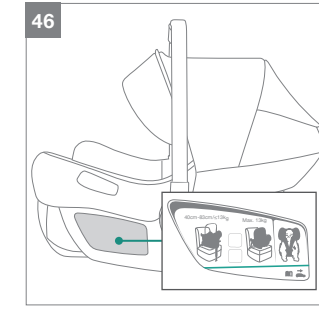
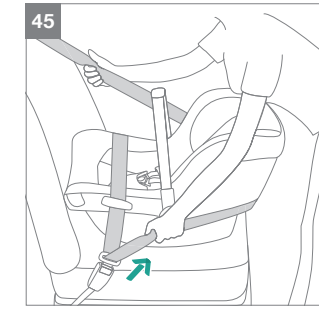
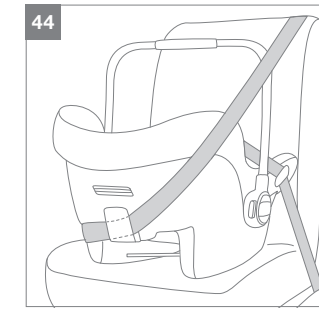
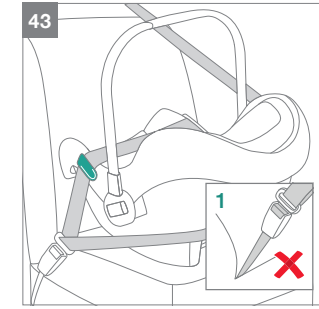
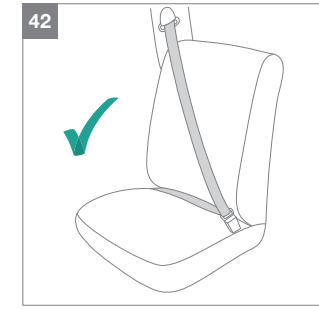
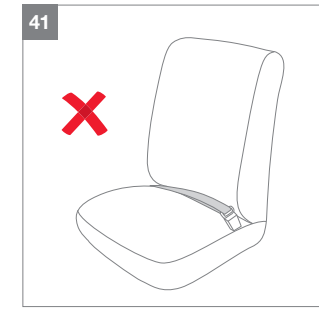
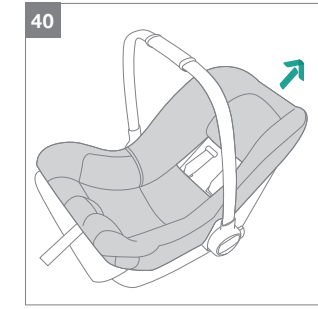
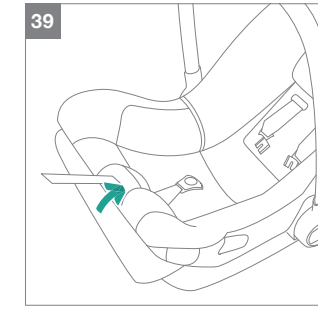
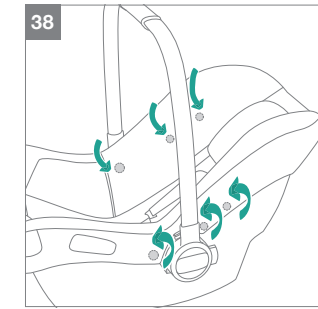
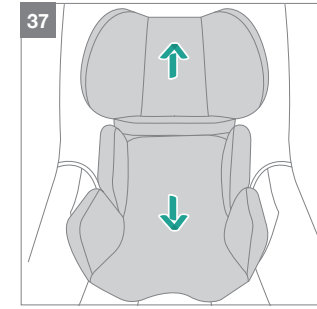
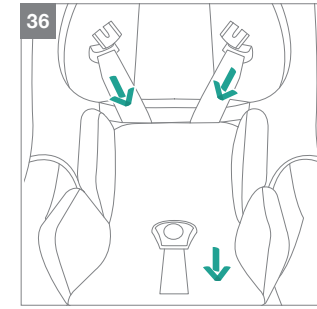
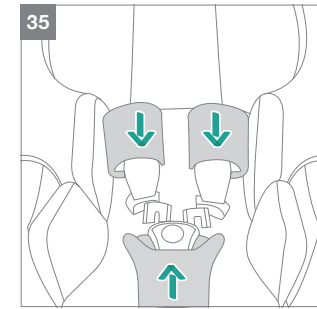
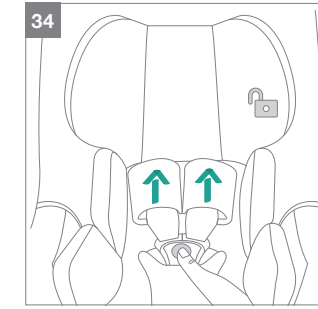
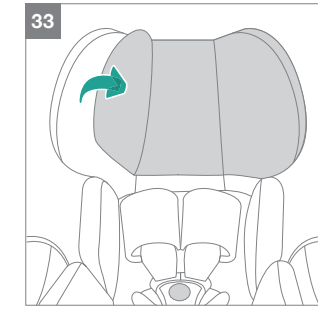
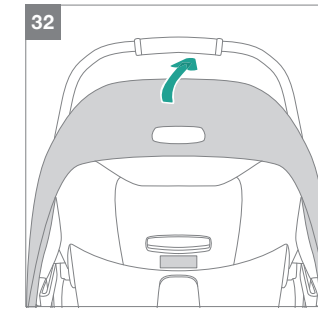
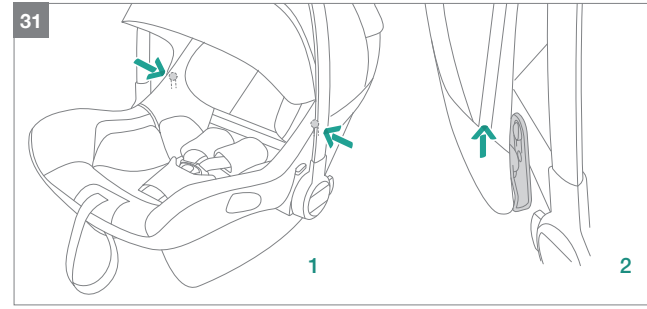
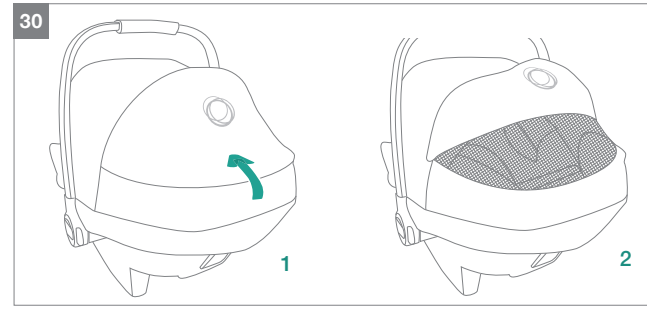
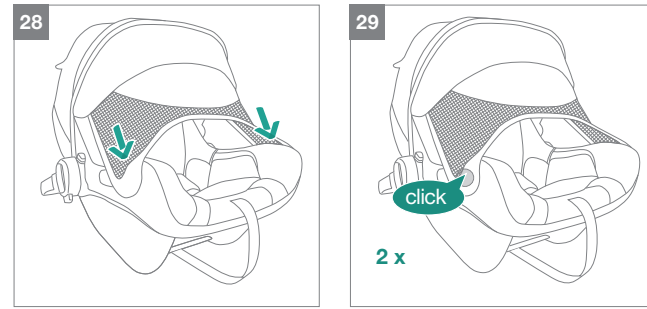
nothing like a Bugaboo

when used with additional Bugaboo adapters for designated Bugaboo strollers, compatible with:



Bugaboo Turtle Air by Nuna is based on the Nuna PIPA next model





EN

IMPORTANT!
KEEP THESE
INSTRUCTIONS FOR
FUTURE REFERENCE:
READ CAREFULLY

Contents

Product information	4
Product registration	4
Customer service	4
Child usage requirements	5
For use with base	6
Warnings	7
Parts list	12
Product use	14
Cleaning and maintenance	22
English (EN)	2
Français (FR)	24
Nederlands (NL)	48
Deutsch (DE)	72
Italiano (IT)	96
Español (ES)	120
Ελληνικά (EL)	144
Dansk (DA)	168
Suomi (FI)	192
Norsk (NO)	216

EN

Product information

Model Number: _____

Manufactured in (date): _____

Product registration

Please fill in the above information. The model number and the manufactured in date are located on the bottom of the Bugaboo Turtle Air by Nuna.

To register your product please visit:
<https://service.bugaboo.com/ProductRegistrationForm>

Nuna has purposely developed and manufactured this product to meet the high quality standards of Nuna and Bugaboo. Please have the proof of purchase, model number and manufactured in dated available when you contact about service. Bugaboo will take your call about the Bugaboo Turtle Air by Nuna.

For warranty information on this Bugaboo Turtle Air by Nuna, please visit: www.bugaboo.com/warranty

Customer service

If you have a question you might be able to find the answer on our website www.bugaboo.com. If you need to contact our international service team, we are always happy to hear from you! We are available to answer any questions, concerns, or comments you may have regarding our products and services. Don't hesitate to contact us. Your feedback helps us to further improve our products and services. Choose your preferred contact method:

Service EMEA, +31-207189531 service@bugaboo.com

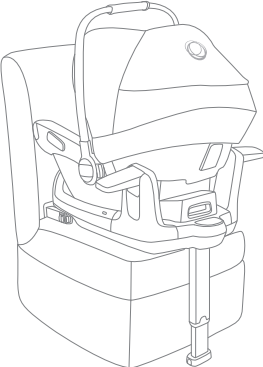
Service UK, +44-8005878265 service.uk@bugaboo.com

Contact form via bugaboo.com, www.bugaboo.com/support

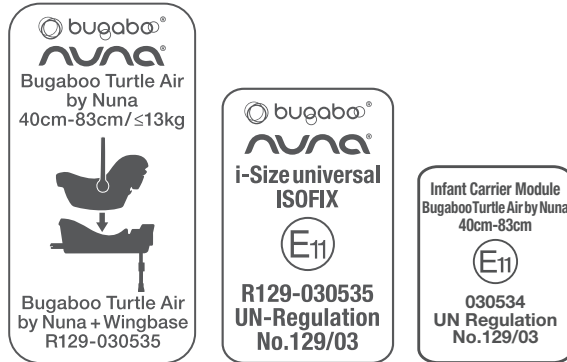
Twitter, @Bugaboo

Child usage requirements

This product is suitable for use with children who meet the following requirements:

Figure for Installation	Suitable for
	<p>Child height 40cm-83cm/ Child weight ≤ 13kg (approximately 15 months old or under)</p>
	<p>Child height 40cm-83cm Child weight ≤ 13kg Child age ≤ 15 months</p>

For use with base



- 1 "i-Size" (Integral Universal ISOFIX Enhanced Child Restraint Systems) is a category of Enhanced Child Restraint System primarily designed for use in all i-Size seating position of a vehicle.
- 2 According to the UN Regulation No.129, the Enhanced Child Restraint with base is a Universal ISOFIX Enhanced Child Restraint and should be fitted using the ISOFIX connections.
- 3 This is an "i-Size" Enhanced Child Restraint System. It is approved according to UN Regulation No.129, for use in, i-Size compatible vehicle seating positions as indicated by vehicle manufacturers in the vehicle users' manual.
- 4 This is an Universal Belted Enhanced Child Restraint System. It is approved according to UN Regulation No. 129, for use primarily in "Universal

seating positions" as indicated by vehicle manufacturers in the vehicle user's manual.

- 5 If in doubt, consult either the Enhanced Child Restraint System manufacturer or the retailer.

WARNING

Failure to follow these warnings and instructions could result in serious injury or death.

Any straps holding the infant carrier module to the vehicle should be tight, that any load leg should be in contact with the vehicle floor, that any straps restraining the child should be adjusted to the child's body, and that straps should not be twisted.

Any luggage or other objects liable to cause injuries in the event of a collision shall be properly secured.

Be sure that the enhanced child restraint is installed in such a way that no part of it interferes with movable seats or in the operation of vehicle doors.

Before carrying the infant carrier module by hand, ensure that the child is fastened with the child harness, and that the handle is correctly locked in a vertical position.

Consult the distributor for issues concerning maintenance, repair and part replacement.

Correct Installation is only permitted by use of the ISOFIX connectors.

Frequently check the ISOFIX guides for dirt and clean them if necessary. Reliability can be effected by ingress of dirt, dust, food particles etc.

Please check before you purchase this enhanced child restraint to make sure it can be installed properly in your vehicle.

Please keep this enhanced child restraint without a textile cover away from sunlight, because it may be too hot for child's skin. Always touch the Enhanced Child Restraint before placing child in it.

To use this enhanced child restraint with the ISOFIX connections according to UN Regulation No.129, your child must meet the following requirements.

Child height 40cm-83cm/Child weight \leq 13kg (approximately 15 months old or under).

To use this infant carrier module with vehicle belt, your child must meet the following requirements.

Child height 40cm-83cm.

Child weight \leq 13kg/Child age \leq 15 months

The enhanced child restraint system soft goods should not be replaced with any other than the ones recommended by the manufacturer, because the soft goods constitutes an integral part of the restraint performance.

To avoid the risk of falling out, always secure the child using the child harness when the child is placed in infant carrier module, even when the enhanced child restraint is not in the vehicle.

To avoid serious injury or death, NEVER place infant carrier module on elevated surface seat with child in it.

The parts of this enhanced child restraint should not be lubricated in any way.

Remove this infant carrier module and base from the vehicle seat when it is not in regular use.

ALWAYS secure child in enhanced child restraint, even on short trips, as this is when most accidents occur.

NEVER leave your child unattended with this enhanced child restraint.

NEVER use a second-hand enhanced child restraint or an enhanced child restraint whose history you do not know because it may have structural damage that endangers your child's safety.

NEVER use ropes or any other substitutes to secure enhanced child restraint in vehicle or to secure child into enhanced child restraint.

NO enhanced child restraint can guarantee full protection from injury in an accident. However, proper use of this enhanced child restraint will reduce the risk of serious injury or death to your child.

DO NOT use the rearward facing enhanced child restraint systems in seating positions where there is an active frontal airbag installed. Death or serious injury may occur. Please reference vehicle owner's manual for more information.

DO NOT place any objects in the load leg area in front of your base.

DO NOT use any load bearing contact points other than those described in the instructions and marked on the enhanced child restraint.

DO NOT continue to use this enhanced child restraint after it has suffered any type of crash, even a minor one. Replace immediately as there may be invisible, structural damage from the crash.

DO NOT install this enhanced child restraint without following the instructions in this manual or you may put your child at serious risk of injury or death.

DO NOT make any modification to this enhanced child restraint or use it along with component parts from other manufacturers.

DO NOT use the enhanced child restraint system without the soft goods.

DO NOT use this enhanced child restraint if it has damaged or missing parts.

DO NOT have your child in large/oversized clothes because this may prevent your child from being properly and securely fastened by the shoulder harness straps and the crotch strap between the legs.

DO NOT leave this enhanced child restraint, or other items unbelted or unsecured in your vehicle because an unsecured enhanced child restraint can be thrown around and may injure occupants in a sharp turn, sudden stop, or collision.

DO NOT put anything other than the recommended inner cushions in this enhanced child restraint.



WARNING

Using the seat as a reclined cradle

Using the seat as a reclined cradle.

Always use the restraint system.

DO NOT use the seat as reclined cradle once your child can sit unaided.

DO NOT use the seat if any components are broken or missing.

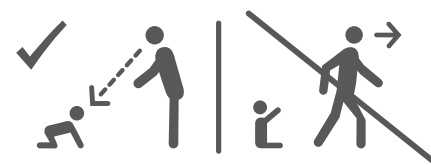
DO NOT use accessories or replacement parts other than those approved by the manufacturer.

It is dangerous to use this seat on an elevated surface, e.g. a table.

NEVER leave the child unattended.

This seat is not indented for prolonged periods of sleeping.

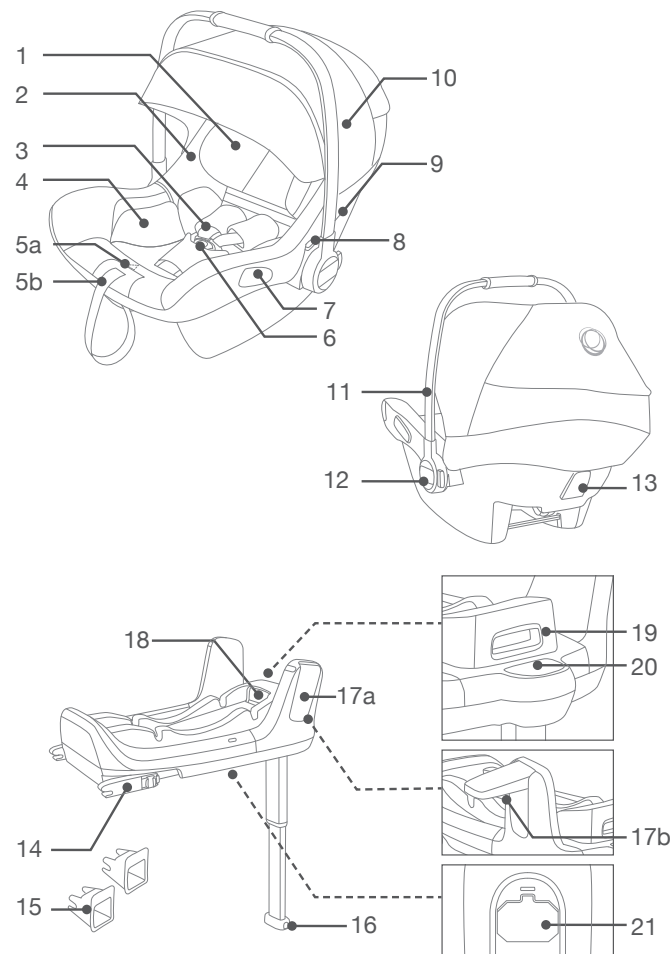
This seat does not replace a cot or a bed. Should your child need to sleep, then it should be placed in a suitable cot or bed.



Parts list

Make sure all parts are available before assembly. The infant carrier module and base can be sold separately. If any part is missing, please contact Bugaboo (see page 4 for information). No tools are required for assembly.

- | | | | |
|----|---------------------------|-----|--|
| 1 | Head Support | 11 | Handle |
| 2 | Seat Pad | 12 | Handle Button |
| 3 | Shoulder Harness Straps | 13 | Rear Guide |
| 4 | Infant Inlay | 14 | ISOFIX Connector |
| 5a | Harness Adjustment Button | 15 | ISOFIX Guides |
| 5b | Adjustment Webbing | 16 | Load Leg Adjust Button |
| 6 | Safety Buckle | 17a | Side Impact Protection Wings |
| 7 | Side Guides | 17b | Wing Fold Back Button |
| 8 | Stroller Release Button | 18 | ISOFIX Adjust Button |
| 9 | Canopy Mount | 19 | Infant Carrier Module Release Button |
| 10 | Canopy | 20 | Load Leg Indicator |
| | | 21 | Instruction Manual Storage Compartment |



Product use

Installation concerns

This infant carrier module is suitable for vehicle seats with i-Size ISOFIX anchor points with the Base. (1)

DO NOT use the rearward facing enhanced child restraint systems in seating positions where there is an active frontal airbag installed. Death or serious injury may occur. (2) Please reference vehicle owner's manual for more information.

DO NOT install this enhanced child restraint on vehicle seats that face sideways or rearward with respect to the moving direction of the vehicle. (3)

It is recommended to install this enhanced child restraint on the rear vehicle seat. (4)

DO NOT install this enhanced child restraint on vehicle seats movable during installation.

Handle adjustment

- 1 The handle of the infant carrier module can be adjusted to 3 positions. (5)
Baby chair position. (5)-1
Position for placing the baby in the seat. (5)-2
Position for car, hand or stroller transportation. (5)-3
- 2 To adjust the handle, squeeze handle buttons on both sides to release it. (6)-1
- 3 Rotate handle until it clicks into any of the 3 positions. (6)-2

Installation with base

- 1 Unfold the load leg from storage compartment. (7)
- 2 Fit the ISOFIX guides with the ISOFIX anchor points. (8) The ISOFIX guides can protect the surface of the vehicle seat from being torn. They can also guide the ISOFIX connectors.
- 3 Press the ISOFIX Adjust Button to adjust the ISOFIX connectors. (9)
- 4 Line up the ISOFIX connectors with the ISOFIX guides, and then click both ISOFIX connectors into the ISOFIX anchor points. (10)
 - ⚠ Make sure that both ISOFIX connectors are securely attached to their ISOFIX anchor points. There should be two audible clicks and the colors of the indicators on the both ISOFIX connectors should be completely green. (10)-1
 - ⚠ Check to make sure the base is securely installed by pulling on the both ISOFIX connectors.
- 5 After placing the base on the vehicle seat, extend the load leg to floor (11). When the load leg indicator shows green means it is installed correctly, red means it is installed incorrectly. (11)-2
 - ⚠ The load leg has 19 positions. When the load leg indicator shows red this means the load leg is in the wrong position.
 - ⚠ Make sure the load leg is in full contact with the vehicle floor pan.

- ⚠ To shorten the load leg, squeeze the load leg release button and pull the load leg upwards. (11)-1
The completely assembled base is shown as (12).
- ⚠ The ISOFIX connectors must be attached and locked onto the ISOFIX anchor points. (12)-1
- ⚠ The load leg must be installed correctly with green indicator. (12)-2
- 6 To remove the base, press the secondary lock button (13)-1 first and then the button (13)-2 on the latch connectors before removing the base from the vehicle seat.
- 7 Press the ISOFIX adjust button to fold the ISOFIX.
- 8 Push the infant carrier module down into the base (14), if the enhanced child restraint is secure, the side impact protection wings will be open and the enhanced child restraint indicator shows green. (15) The side impact protection wing which is away from the door can be closed as shown on (16) when not in use.
- ⚠ Pull up on the infant carrier module to be sure it is securely latched into the base.
- 9 To release the infant carrier module, pull the enhanced child restraint up while squeezing the infant carrier module release button. (17)

Height adjustment

for head support and shoulder harnesses

Check that Shoulder Harness Straps are set at the proper height. Please choose the proper pair of shoulder harness slots according to the child's height.

- ⚠ Shoulder Harness Straps must be nearest to your child's shoulders (18), but not above the shoulder line. (19)
- ⚠ If the Shoulder Harness Straps are not at proper height, the child might be ejected from the enhanced child restraint if there is a crash.

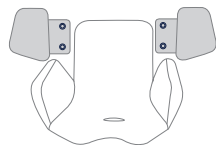
Pull the head support adjustment lever (20), meanwhile pull up or push down the head support until it snaps into one of the 7 positions. The head support positions are shown as (21).

Securing child

Use infant inlay



We recommend using the full infant inlay while the baby is under 60 cm or until they outgrow the inlay. The infant inlay increases side impact protection.



Remove the infant inlay side wings when the infant's shoulders no longer fit comfortably.

After the child is placed into the seat, check whether the Shoulder Harness Straps are at proper height.

- 1 While pressing the harness adjustment button, pull completely the two Shoulder Harness Straps of the enhanced child restraint. (22)
 - 2 Unlock the buckle of the harnesses by pressing the red button. (23)
 - 3 Place the child into the infant carrier module and lock the buckle. (25) Please refer to (24).
 - 4 Tighten the shoulder harness straps by pulling the adjustment webbing. (26)
- !** Make sure the space between the child and the Shoulder Harness Straps is about the thickness of one hand.

Canopy

- 1 Flip out visor from underneath the front canopy bow. (27)
- 2 Pull out the extendable 'smart visor' from in between the two visor layers. (28)
- 3 Attach the magnets on each corner to the front of the child seat. (29)
- 4 The Peek-a-boo on the back can be opened for ventilation. (30)
To fold back the canopy, first flip back the visor underneath the front canopy bow and then fold back the extendable smart visor underneath.

Detach & assemble soft goods

see images (31)-(40)

To re-assemble the soft goods, reverse the aforementioned steps.

Installation without base

- 1 DO NOT install this infant carrier module on vehicle seats with Lap Belts. (41)
- 2 This infant carrier module is suitable for vehicle seats with a 3-point Retractor Safety Belt (without base) only. (42)
- 3 Place the infant carrier module onto the vehicle seat where you wish to put it. Pull the vehicle

safety belt out and lock it into the vehicle buckle, sliding the vehicle lap belt into the side guides of the infant carrier module. (43)

- ⚠ The infant carrier module can not be used if the vehicle safety belt buckle (female buckle end) is too long to anchor the infant carrier module securely. (43)-1
- 4 Slide diagonal belt into the rear guide. (44)
- 5 Pull the vehicle shoulder belt to fasten the infant carrier module tightly and securely. (45)
- 6 Level line on infant carrier module must be level to the ground when the infant carrier module is installed. (46)
- ⚠ Tension the vehicle safety belt as much as possible, checking that it is not loose or twisted.
- ⚠ After installing the infant carrier module, always check that the vehicle belts are routed correctly and securely fastened into the vehicle buckle. (47)

Aeroplane installation

- ⚠ Note that safety of the child for not complying with the installation and instruction manual is not guaranteed.
- ⚠ Note that the installation of the infant carrier module on an aircraft seat differs from the installation on a car seat.
- ⚠ Note that 2-Point “Lap Belt” attachment is only permitted in aircraft.

- ⚠ Note that the infant carrier module must remain belted on the aircraft seat even when unoccupied.
- ⚠ Note that the infant carrier module is only for use on a passenger seat authorized by the airline.
- ⚠ Warnings not to use the infant carrier module in the area of airbag deployment. (2)
- ⚠ Note that Rearward facing infant carrier module should only be installed on forward facing passenger seats. (48)

How to install the infant carrier module using the aircraft seat's safety belt:

- 1 Place the infant carrier module opposite to the flight direction onto the passenger seat.
 - 2 Ensure that the carry handle is in the topmost position.
 - 3 Place the safety belt into both belt guides.
 - 4 Close the safety belt (refer to the safety instructions by the airline).
 - 5 Tighten the safety belt by pulling the belt end. (49)
- ⚠ The buckle of the safety belt must under no circumstances lie within the dark green belt guides. (50)

Removal:

Open the safety belt of the passenger seat (refer to the safety instructions by the airline). Now you can take the infant carrier module from the passenger seat.

Cleaning and maintenance

Clean the frame, plastic parts, and fabric with a damp cloth, but do not use abrasives or bleach. Do not use silicon lubricants as they will attract dirt and grime.

To ensure long-lasting use, wipe this product off with a soft, absorbent cloth after using it in rainy weather.

Refer to the care labels attached to the soft goods for washing and drying instructions.

It is normal for fabric to color from sunlight and to show wear and tear after a long period of use, even when used normally.

For reasons of safety, only use original Bugaboo by Nuna parts.

Check regularly if everything functions properly. If any parts are torn, broken, or missing, stop using this product.

The information contained herein is subject to change without notice. Bugaboo International BV shall not be liable for technical errors or omissions contained herein. The purchased product may differ from the product as described in this user guide. Our most recent user guides can be requested at our service departments or at www.bugaboo.com. © 2019 Bugaboo International BV. BUGABOO, BUGABOO CAMELEON, BUGABOO BEE, BUGABOO DONKEY, BUGABOO FOX, BUGABOO TURTLE, BUGABOO ANT, BUGABOO LYNX, BUGABOO STARDUST and the Bugaboo logos are registered trademarks. The Bugaboo® strollers are patented and design protected. © NUNA International B.V. Nuna and all associated logos are trademarks.

**IMPORTANT!
CES INSTRUCTIONS
SONT À CONSERVER
POUR RÉFÉRENCE
FUTURE :
LIRE ATTENTIVEMENT**

Contenu

Information produit	26
Enregistrement du produit	26
Service clientèle	26
Conditions d'utilisation pour les enfants	27
Pour une utilisation avec la base	28
Attention	30
Liste des pièces	36
Utilisation du produit	38
Lavage et entretien	46
English (EN)	2
Français (FR)	24
Nederlands (NL)	48
Deutsch (DE)	72
Italiano (IT)	96
Espanol (ES)	120
Ελληνικά (EL)	144
Dansk (DA)	168
Suomi (FI)	192
Norsk (NO)	216

Informations produit

Numéro de modèle : _____

Fabriqué en (date) : _____

Enregistrement du produit

Veillez remplir les informations ci-dessus. Le numéro de modèle et la date de fabrication sont situés au bas du Bugaboo Turtle Air by Nuna.

Pour enregistrer votre produit, rendez-vous sur :
<https://service.bugaboo.com/ProductRegistrationForm>

La marque Nuna a délibérément développé et fabriqué ce produit pour répondre à ses normes de qualité élevées et à celles de Bugaboo. Veuillez vous munir de la preuve d'achat, du numéro de modèle et de la mention « Fabriqué en » lorsque vous contactez notre service. Bugaboo prendra votre appel concernant le Bugaboo Turtle Air by Nuna.

Pour obtenir des informations sur la garantie du Bugaboo Turtle Air by Nuna, rendez-vous sur : www.bugaboo.com/warranty

Service clientèle

Si vous avez une question, vous pouvez trouver la réponse sur notre site Web www.bugaboo.com. Si vous avez besoin de contacter notre équipe internationale, nous sommes toujours heureux de recevoir vos commentaires ! Nous sommes disponibles pour répondre à vos questions, préoccupations ou commentaires concernant nos produits et services. N'hésitez pas à nous contacter. Vos commentaires nous aident à améliorer davantage nos produits et services.

Choisissez votre méthode de contact préférée :

Téléphone, +33-176704171

E-mail, service.fr@bugaboo.com

Formulaire de contact via bugaboo.com,
www.bugaboo.com/support

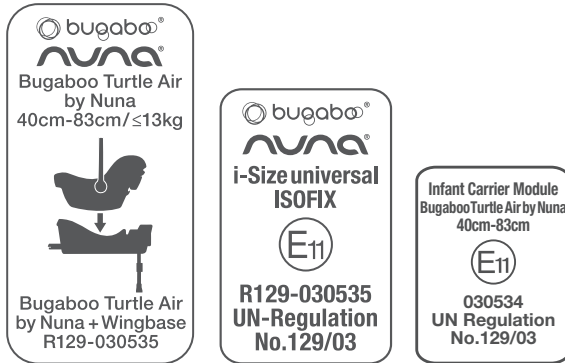
Twitter, @Bugaboo

Conditions d'utilisation pour les enfants

Ce produit convient aux enfants qui répondent aux exigences suivantes :

Schéma d'installation	Convient aux
	Enfants de taille 40 cm-83 cm/ Poids ≤13 kg (enfant de 15 mois ou moins environ)
	Enfants de taille 40 cm-83 cm/ Poids ≤13 kg Enfant de ≤15 mois environ

Pour une utilisation avec la base



- 1 « i-Size » (Dispositifs de retenue pour enfant optimisés ISOFIX universels intégrés) est une catégorie de dispositifs de retenue pour enfant optimisés principalement conçue pour toutes les positions d'assise I-Size d'un véhicule.
- 2 Conformément à la réglementation ECE R129, le dispositif de retenue pour enfant optimisé avec base est un système de retenue pour enfant universel ISOFIX et doit être installé avec les connexions ISOFIX.
- 3 Il s'agit d'un dispositif de retenue pour enfant optimisé « i-Size ». Il est approuvé par la réglementation ECE R129 pour des sièges de véhicule compatibles « i-Size » comme indiqué

dans le manuel d'utilisateur du véhicule fourni par votre constructeur automobile.

- 4 Il s'agit d'un dispositif de retenue pour enfant optimisé « i-Size » universel avec ceinture. Il est approuvé par la réglementation ECE R129 pour une utilisation principale dans les « positions de siège universelles » indiquées dans le manuel du constructeur du véhicule.
- 5 En cas de doute, veuillez consulter le fabricant ou le revendeur du dispositif de retenue pour enfant optimisé.”

ATTENTION

Le non-respect de ces avertissements et instructions peut avoir des conséquences graves ou mortelles.

Les sangles qui maintiennent le module porte-bébé attaché au véhicule doivent être serrées, toute jambe de force doit être en contact avec le sol du véhicule, toute sangle qui retient l'enfant doit être ajustée au corps de l'enfant sans torsion.

Tout bagage ou autre objet susceptible de causer des blessures en cas de collision doit être correctement sécurisé.

Assurez-vous que le dispositif de retenue pour enfant optimisé est installé de manière à ce qu'aucune partie de celui-ci ne gêne les sièges amovibles ou le fonctionnement des portes du véhicule.

Avant de transporter le module porte-bébé à la main, assurez-vous que l'enfant est bien attaché avec son harnais et que la poignée est correctement verrouillée en position verticale.

Consultez le distributeur pour les problèmes concernant l'entretien, la réparation et le remplacement de pièces.

Une installation correcte n'est autorisée qu'avec les connecteurs ISOFIX.

Vérifiez régulièrement la présence de poussière sur les guides ISOFIX et nettoyez-les si nécessaire. La fiabilité peut être affectée par l'infiltration de poussière, saletés, particules de nourriture, etc.

Avant d'acheter ce dispositif de retenue pour enfant optimisé, veuillez vous assurer qu'il peut être installé correctement dans votre véhicule.

Veuillez conserver ce dispositif de retenue pour enfant optimisé sans housse en tissu à l'écart de la lumière du soleil, car il pourrait devenir trop chaud pour la peau de votre enfant. Touchez toujours le dispositif de retenue pour enfant pour le tester avant d'y installer votre enfant.

Pour utiliser ce dispositif de retenue pour enfant avec les connexions ISOFIX conformément à la réglementation ECE R129, votre enfant doit répondre aux conditions suivantes.

Taille de l'enfant entre 40 cm et 83 cm / Poids de l'enfant ≤ 13 kg (environ 15 mois ou moins).

Pour utiliser ce module porte-bébé avec la ceinture du véhicule, votre enfant doit répondre aux conditions suivantes.

Taille de l'enfant 40 cm-83 cm.

Poids de l'enfant ≤ 13 kg / Âge de l'enfant ≤ 15 months.

Les parties souples des dispositifs de retenue pour enfant ne doivent pas être remplacées par d'autres que celles recommandées par le fabricant, car elle font partie intégrante des performances du dispositif de retenue pour enfant optimisé.

Pour éviter les risques de chute, toujours attachez votre enfant avec le harnais de sécurité lorsque l'enfant est placé dans le module porte-bébé, même lorsque le dispositif de retenue optimisé n'est pas dans le véhicule.

Pour éviter les blessures graves ou la mort, ne placez JAMAIS le dispositif de retenue d'enfant optimisé sur une surface élevée avec l'enfant dedans.

Les pièces de ce dispositif de retenue pour enfant optimisé ne peuvent en aucune façon être lubrifiées.

Retirez ce module et la base du porte-bébé du siège du véhicule lorsque vous ne l'utilisez pas régulièrement.

Attachez TOUJOURS votre enfant dans le dispositif de retenue pour enfant optimisé, même pour de courts trajets, car c'est précisément lors de ceux-ci que le plus d'accidents surviennent.

Ne laissez JAMAIS votre enfant sans surveillance dans ce dispositif de retenue pour enfant optimisé.

N'utilisez JAMAIS un dispositif de retenue pour enfant optimisé d'occasion ou dont vous ne connaissez pas le passé, car de tels sièges pourraient présenter des dommages structurels mettant la sécurité de votre enfant en péril.

N'utilisez JAMAIS de cordes ou d'autres substituts pour attacher le dispositif de retenue pour enfant optimisé dans le véhicule ou pour attacher l'enfant dans le dispositif de retenue pour enfant optimisé.

AUCUN dispositif de retenue pour enfant optimisé ne peut garantir une protection complète contre les blessures en cas d'accident. Cependant, une utilisation correcte de ce dispositif de retenue pour enfant optimisé réduit les risques de blessures graves ou de mort pour votre enfant.

Ne placez PAS le dispositif de retenue pour enfant optimisé dos à la route sur un siège avant avec airbag. Ceci entraînerait des risques de blessures ou de mort. Veuillez vous reporter au manuel de l'utilisateur du véhicule pour plus d'informations.

NE placez AUCUN objet dans la zone de la jambe de force devant votre base.

N'utilisez PAS de points de contact porteurs autres que ceux décrits dans les instructions et marqués sur le dispositif de retenue pour enfant optimisé.

NE continuez PAS à utiliser ce dispositif de retenue pour enfant optimisé après toute sorte de collisions, même mineure. Remplacez-le immédiatement car les dommages structurels pourrait être invisibles.

N'installez et n'utilisez PAS ce dispositif de retenue pour enfant optimisé sans avoir suivi les instructions et avertissements de cette notice, ou vous pourriez mettre votre enfant en danger de blessures ou de mort.

N'apportez AUCUNE modification à ce dispositif de retenue pour enfant optimisé et ne l'utilisez pas avec des pièces d'autres fabricants.

N'utilisez PAS ce dispositif de retenue pour enfant optimisé sans les parties souples.

N'utilisez PAS ce dispositif de retenue pour enfant optimisé si des pièces sont endommagées ou manquantes.

Ne faites PAS porter à votre enfant des vêtements trop amples/grands, car cela pourrait l'empêcher d'être bien attaché par les sangles du harnais pour les épaules et le harnais entre les jambes.

Ne laissez PAS ce dispositif de retenue pour enfant optimisé ou d'autres objets détachés ou non fixés dans votre véhicule, car un dispositif de retenue pour enfant optimisé non fixé peut basculer et blesser les passagers lors de virages serrés, d'arrêts soudains ou de collisions.

Ne placez RIEN d'autre que les coussins internes recommandés dans ce dispositif de retenue pour enfant optimisé.

ATTENTION

Utilisation du siège en position inclinée

Utilisation du siège en position inclinée

Utilisez toujours le dispositif de retenue.

N'utilisez PAS le siège en position inclinée lorsque votre enfant peut s'asseoir sans aide.

N'utilisez PAS le siège si des composants sont cassés ou manquants.

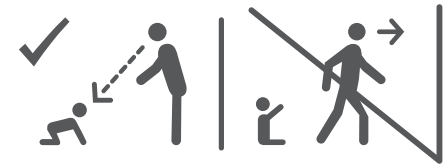
N'utilisez PAS des accessoires ou des pièces de rechange non approuvés par le fabricant.

Il est dangereux d'utiliser ce siège sur une surface surélevée, comme une table.

NE laissez JAMAIS votre enfant sans surveillance.

Ce siège n'est pas prévu pour des périodes prolongées de sommeil.

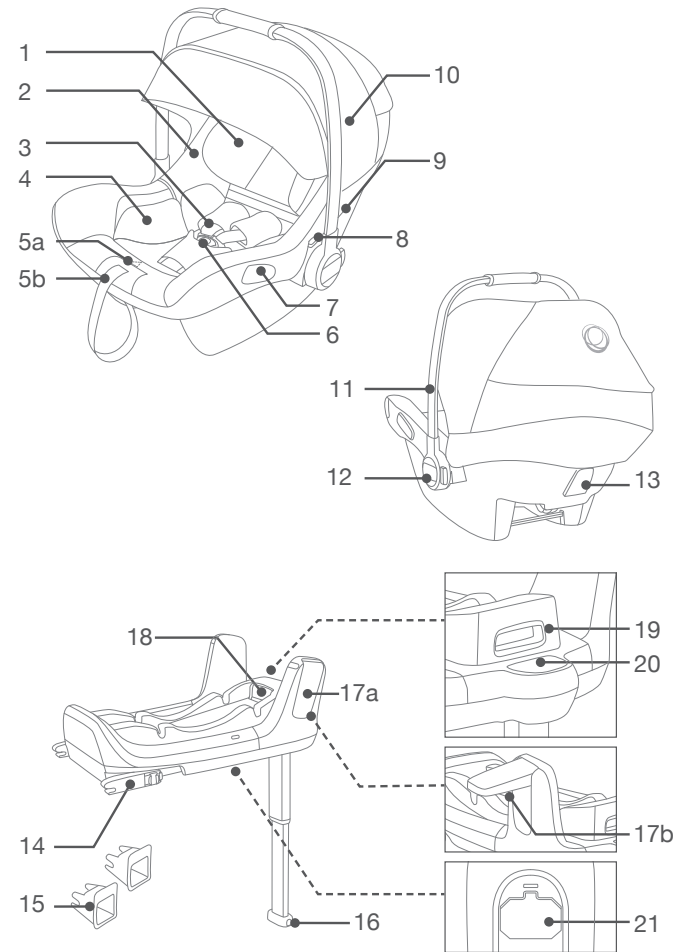
Ce siège ne remplace pas un berceau ou un lit. Si votre enfant doit dormir, il convient de l'installer dans un berceau ou un lit approprié.



Liste des pièces

Assurez-vous que toutes les pièces sont présentes avant le montage. Le module porte-bébé et la base peuvent être achetés séparément. Si une pièce est manquante, contactez Bugaboo (voir la page 26 pour plus d'informations). Le montage ne nécessite aucun outil.

- | | | | |
|----|--------------------------------------|-----|--|
| 1 | Support pour la tête | 13 | Guide arrière |
| 2 | Support du siège | 14 | Connecteur ISOFIX |
| 3 | Sangles du harnais pour les épaules | 15 | Guides ISOFIX |
| 4 | Support pour nourrisson | 16 | Bouton de réglage de la jambe de force |
| 5a | Bouton de réglage du harnais | 17a | Ailes de protection contre les impacts latéraux |
| 5b | Réglage de la capote | 17b | Bouton de rabattement d'aile |
| 6 | Boucle de sécurité | 18 | Bouton de réglage ISOFIX |
| 7 | Guides latéraux | 19 | Bouton de dégagement du module porte-bébé |
| 8 | Bouton de dégagement de la poussette | 20 | Indicateur de la jambe de force |
| 9 | Base de la capote | 21 | Compartiment de rangement de la notice d'utilisation |
| 10 | Capote | | |
| 11 | Poignée | | |
| 12 | Bouton de la poignée | | |



Utilisation du produit

Problèmes liés à l'installation

Ce dispositif de retenue pour enfant optimisé convient aux sièges de véhicule équipés de points d'ancrage ISOFIX i-Size avec la base. (1)

Ne placez PAS le dispositif de retenue pour enfant optimisé dos à la route sur un siège avant avec airbag. Ceci entraînerait des risques de blessures ou de mort. (2) Veuillez vous reporter au manuel de l'utilisateur du véhicule pour plus d'informations.

N'installez PAS ce dispositif de retenue pour enfant optimisé sur des sièges de véhicule orientés sur le côté ou vers l'arrière en fonction de la direction de déplacement du véhicule. (3)

Il est recommandé d'installer ce dispositif de retenue pour enfant optimisé sur le siège arrière du véhicule. (4)

N'installez PAS ce dispositif de retenue pour enfant optimisé sur des sièges de véhicule instables lors de l'installation.



Réglage de la poignée

- 1 La poignée du dispositif de retenue pour enfant optimisé peut être réglée sur 3 positions. (5)
Position siège bébé. (5)-1
Position pour placer le bébé sur le siège. (5)-2
Position pour voiture, port à la main ou poussette (5)-3
- 2 Pour ajuster la position de la poignée, pressez les

boutons de la poignée sur les deux côtés pour dégager celle-ci. (6)-1

- 3 Faites pivoter la poignée jusqu'à ce qu'elle s'enclenche sur une des 3 positions. (6)-2

Siège auto avec base

- 1 Dépliez la jambe de force du compartiment de stockage. (7)
 - 2 Ajustez les guides ISOFIX sur les points d'ancrage ISOFIX. (8) Les guides ISOFIX peuvent protéger la surface du siège du véhicule contre les déchirements. Ils peuvent aussi guider les connecteurs ISOFIX.
 - 3 Pressez les boutons de réglage ISOFIX pour ajuster les connecteurs ISOFIX. (9)
 - 4 Alignez les connecteurs ISOFIX avec les guides ISOFIX, puis cliquez sur les deux connecteurs ISOFIX aux points d'ancrage ISOFIX. (10)
-  Vérifiez que les deux connecteurs ISOFIX sont bien attachés aux points d'ancrage ISOFIX. Vous devriez entendre deux clics, et les couleurs des indicateurs des deux connecteurs ISOFIX doivent être complètement verts. (10)-1
-  Vérifiez que la base est bien installée en tirant sur les deux connecteurs ISOFIX.
- 5 Après avoir placé la base sur le siège du véhicule, étendez la jambe de force jusqu'au sol (11). Lorsque l'indicateur de jambe de force passe au vert, cela signifie qu'elle est installée. Le rouge

indique une installation incorrecte.(11)-2

- ⚠ La jambe de force propose 19 positions. Lorsque l'indicateur de jambe de force est rouge, cela signifie que la jambe de force est dans une mauvaise position.
 - ⚠ Assurez-vous que la jambe de force est bien fixée en appuyant sur le sol.
 - ⚠ Pour raccourcir la jambe de force, appuyez sur le bouton de déverrouillage de la jambe de force et tirez la jambe de force vers le haut. (11)-1
La base complètement assemblée est illustrée en (12).
 - ⚠ Les connecteurs ISOFIX doivent être attachés et verrouillés sur les points d'ancrage ISOFIX. (12)-1
 - ⚠ La jambe de force doit être installée correctement avec l'indicateur vert. (12)-2
- 6 Pour retirer la base, appuyez d'abord sur le bouton de verrouillage secondaire (13)-1 puis sur le bouton (8)-2 sur les connecteurs d'attache avant de retirer la base du siège du véhicule.
 - 7 Pressez les boutons de réglage ISOFIX pour plier l'ISOFIX.
 - 8 Poussez le module porte-bébé dans la base (14). Si le dispositif de retenue pour enfant optimisé est bien fixé, les ailes de protection contre les impacts latéraux s'ouvriront et l'indicateur de verrouillage du dispositif de retenue pour enfant optimisé est vert. (15)

Lorsque vous ne l'utilisez pas, l'aile de protection contre les impacts latéraux qui est éloignée de la porte peut être fermée comme indiqué sur la figure (16).

- ⚠ Tirez sur le module porte-bébé pour vous assurer qu'il est bien verrouillé sur la base.
- 9 Pour déverrouiller le module porte-bébé, tirez sur le dispositif de retenue pour enfant optimisé vers le haut tout en appuyant sur le bouton de déverrouillage du module porte-bébé. (17)

Réglage de la hauteur

pour le repose-tête et le harnais pour épaules

Vérifiez que les sangles du harnais pour épaules sont à la bonne hauteur. Veuillez choisir la bonne paire d'emplacements de harnais pour épaules, conformément à la taille de l'enfant.

- ⚠ Les sangles du harnais pour épaules doivent être placées dans les emplacements les plus proches des épaules de l'enfant (18), mais pas au-dessus. (19)
- ⚠ Si les sangles du harnais pour épaules ne sont pas à la bonne hauteur, l'enfant peut être éjecté du dispositif de retenue pour enfant optimisé lors d'une collision.

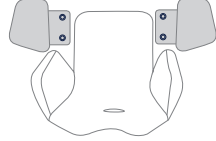
Tirez le levier de réglage du support pour la tête (20), tout en tirant sur le support vers le haut ou le bas pour le placer sur l'une des 7 positions. Les positions du support pour la tête sont illustrées en (21).

Sécuriser l'enfant

Utiliser le support pour nourrisson



Nous conseillons d'utiliser le support pour nourrisson intégral lorsque le bébé fait moins de 60 cm ou jusqu'à ce qu'il dépasse du support. Le support pour nourrisson augmente la protection contre les impacts latéraux.



Retirez les ailes latérales du support pour nourrisson lorsque l'enfant est trop serré au niveau des épaules.

Une fois que l'enfant est placé dans le siège, vérifiez si les sangles du harnais pour épaules sont à la bonne hauteur.

- 1 Tout en appuyant sur le bouton de réglage du harnais, tirez complètement les deux sangles du harnais pour épaules du dispositif de retenue pour enfants optimisé. (22)
- 2 Déverrouillez la boucle des harnais en appuyant sur le bouton rouge. (23)

Placez l'enfant dans le module porte-bébé et verrouillez la boucle. (25) Veuillez vous référer à (24).

- 3 Serrez les bretelles du harnais en tirant sur la sangle de réglage. (26)

! Assurez-vous que l'espace entre l'enfant et les sangles du harnais pour épaules correspond à peu près à l'épaisseur d'une main.

Capote

- 1 Enlevez la visière de dessous l'arc avant de la capote. (27)
- 2 Tirez le pare-soleil « smart visor » extensible entre les deux couches de la visière. (28)
- 3 Fixez les aimants de chaque coin à l'avant du siège auto. (29)
- 4 La fenêtre en mailles à l'arrière peut être ouverte pour la ventilation. (30)
Pour rabattre la capote, commencez par rabattre la visière sous l'arc avant de la capote, puis repliez le pare-soleil « smart visor » extensible, situé en dessous.

Détacher et assembler les parties souples

voir images (31)-(40)

Pour réassembler les parties souples, inversez les étapes précédentes.

Installation avec base

- 1 N'installez PAS ce module porte-bébé sur des sièges de véhicule équipés de ceintures abdominales. (41)

- 2 Ce module porte-bébé convient aux sièges de véhicule équipé de ceintures de sécurité 3 points à enrouleur (sans base). (42)
- 3 Placez le module porte-bébé sur le siège du véhicule où vous souhaitez l'installer. Tirez la ceinture de sécurité du véhicule et verrouillez-la dans la boucle du véhicule, en faisant glisser la sangle abdominale du véhicule dans les guides latéraux du module porte-bébé. (43)
 - ⚠ Le module porte-bébé ne peut pas être utilisé si la boucle de ceinture de sécurité du véhicule (extrémité femelle de la boucle) est trop longue pour retenir le module porte-bébé de façon sûre. (43)-1
- 4 Faites glisser la sangle diagonale dans le guide arrière. (44)
- 5 Tirez la ceinture d'épaule du véhicule pour fixer le module porte-bébé fermement et en toute sécurité. (45)
- 6 La ligne de niveau du siège doit être parallèle au sol lorsque le module porte-bébé est installé. (46)
 - ⚠ Tendez la ceinture de sécurité du véhicule autant que possible en vérifiant qu'elle n'est pas desserrée ou entortillée.
 - ⚠ Après avoir installé le module porte-bébé, vérifiez toujours que les ceintures du véhicule sont installées correctement et bien attachées dans la boucle du véhicule. (47)

Installation avion

- ⚠ Veuillez noter que la sécurité de l'enfant, n'est pas garantie si la notice d'utilisation et d'instruction n'est pas respectée.
- ⚠ Veuillez noter que l'installation module porte-bébé sur un siège d'avion est différente de l'installation sur un siège de voiture.
- ⚠ Veuillez noter que la fixation avec une « ceinture abdominale » 2 points n'est autorisée que dans les avions.
- ⚠ Veuillez noter que module porte-bébé doit rester attaché sur le siège d'avion avec la ceinture même lorsqu'il est inoccupé.
- ⚠ Veuillez noter que le module porte-bébé ne doit être utilisé que sur un siège passager autorisé par la compagnie aérienne.
- ⚠ Avertissement : n'utilisez pas le module porte-bébé dans la zone de déploiement de l'airbag. (2)
- ⚠ Veuillez noter que les modules porte-bébé orientés dos à la route doivent uniquement être installés sur les sièges passagers orientés face à la route. (48)

Comment installer le module porte-bébé avec la ceinture de sécurité du siège de l'avion :

- 1 Placez le module porte-bébé sur le siège passager, dans la direction opposée à celle du vol.
- 2 Assurez-vous que la poignée de transport est dans la position la plus relevée.

- 3 Placez la ceinture de sécurité dans les deux guides de ceintures.
- 4 Fermez la ceinture de sécurité (consultez les consignes de sécurité de la compagnie aérienne).
- 5 Serrez la ceinture de sécurité en tirant l'extrémité de la ceinture. (49)

⚠ La boucle de la ceinture de sécurité ne doit en aucun cas se trouver dans les guides de ceinture vert foncé. (50)

Retrait :

Détachez la ceinture de sécurité du siège passager (consultez les consignes de sécurité de la compagnie aérienne). Vous pouvez à présent retirer le module porte-bébé du siège passager.

Lavage et entretien

Nettoyez le cadre, les pièces en plastique et le tissu à l'aide d'un chiffon humide, mais n'utilisez pas d'abrasifs ou d'eau de Javel. N'utilisez pas de lubrifiants à base de silicone car ils attirent la saleté et la crasse. "Pour garantir une longue durée d'utilisation, essayez ce produit à l'aide d'un chiffon doux et absorbant après l'avoir utilisé par temps de pluie.

Consultez les étiquettes d'entretien attachées aux pièces souples pour obtenir les instructions de lavage et de séchage.

La coloration du tissu exposé au soleil est normale, tout comme les signes d'usure et de déchirement après une longue période d'utilisation, même normale.

Pour des raisons de sécurité, utilisez uniquement les pièces Bugaboo by Nuna d'origine.

Vérifiez régulièrement si tout fonctionne correctement. Si des pièces sont déchirées, cassées ou manquantes, cessez d'utiliser ce produit.

Les informations contenues dans ce document sont sujettes à modification sans préavis. Bugaboo International BV ne peut être tenu responsable des erreurs techniques ou des omissions contenues dans les présentes. Le produit acheté peut différer de celui décrit dans cette notice d'utilisation. Des notices d'utilisation plus récentes peuvent être demandées à notre service clientèle ou via le site bugaboo.com.

© 2019 Bugaboo International BV. BUGABOO, BUGABOO CAMELEON, BUGABOO BEE, BUGABOO DONKEY, BUGABOO FOX, BUGABOO TURTLE, BUGABOO ANT, BUGABOO LYNX, BUGABOO STARDUST et les logos de Bugaboo sont des marques déposées. Les poussettes Bugaboo® sont protégées par un brevet et leurs designs sont protégés.

© NUNA International B.V. Nuna et tous les logos associés sont des marques commerciales.

**BELANGRIJK!
BEWAAR DEZE
INSTRUCTIES VOOR
TOEKOMSTIG GEBRUIK:
ZORGVULDIG LEZEN**

Inhoud

Productinformatie	50
Productregistratie	50
Klantenservice	50
Vereisten kindergebruik	51
Voor gebruik met basis	52
Waarschuwingen	54
Onderdelenlijst	60
Gebruik van het product	62
Reiniging en onderhoud	70
English (EN)	2
Francais (FR)	24
Nederlands (NL)	48
Deutsch (DE)	72
Italiano (IT)	96
Espanol (ES)	120
Ελληνικά (EL)	144
Dansk (DA)	168
Suomi (FI)	192
Norsk (NO)	216

Productinformatie

Modelnummer: _____

Geproduceerd in (datum): _____

NL

Productregistratie

Voer de bovenstaande gegevens in. Het modelnummer en de datum 'geproduceerd in' staan aan de onderzijde van de Bugaboo Turtle Air by Nuna.

Registreer je product op:

<https://service.bugaboo.com/ProductRegistrationForm>

Nuna heeft dit product zo ontwikkeld en geproduceerd dat het aan de hoge kwaliteitseisen van Nuna en Bugaboo voldoet. Zorg ervoor dat je je aankoopbewijs, het modelnummer en de productiedatum ('geproduceerd in') bij de hand hebt als je contact met ons opneemt. Bugaboo neemt je telefoontje over de Bugaboo Turtle Air by Nuna aan.

Ga voor informatie over de garantie op deze Bugaboo Turtle Air by Nuna naar: www.bugaboo.com/warranty

Klantenservice

Heb je een vraag? Kijk dan of je het antwoord op je vraag kunt vinden op onze website www.bugaboo.com. Neem gerust contact op met ons internationale serviceteam, we staan altijd voor je klaar! Wij beantwoorden graag al je vragen, en reageren op eventuele twijfels of opmerkingen die je hebt met betrekking tot onze producten en services. Aarzel niet om contact met ons op te nemen. Jouw feedback helpt ons om onze producten en services verder de verbeteren.

Selecteer je favoriete contactmethode:

Telefoon, +31-207189531

E-mail, service.nl@bugaboo.com

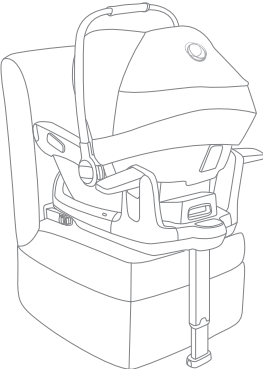
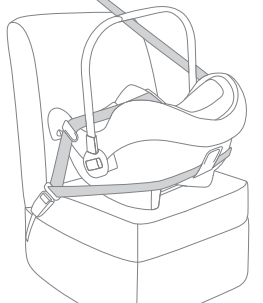
Contactformulier op bugaboo.com, www.bugaboo.com/support

Twitter, @Bugaboo

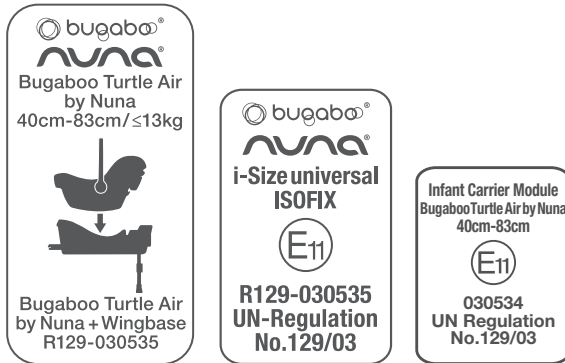
Vereisten kindergebruik

Dit product is geschikt voor gebruik met kinderen die voldoen aan de volgende voorwaarden:

NL

Afbeelding voor installatie	Geschikt voor
	Lengte kind 40 - 83 cm/ Gewicht kind ≤ 13kg (ca. 15 maanden oud of jonger)
	Lengte kind 40 - 83 cm/ Gewicht kind ≤ 13kg Leeftijd kind ≤ 15 maanden

Voor gebruik met basis



- 1 'i-Size' (Integral Universal ISOFIX Enhanced Child Restraint Systems ofwel universele, verbeterde kinderbeveiligingssystemen met ISOFIX) is een categorie voor speciale kinderbeveiligingssystemen die primair zijn ontwikkeld voor gebruik op alle zitplaatsen in een voertuig die zijn uitgerust met i-Size.
- 2 Conform VN-Reglement nr. 129 is het kinderbeveiligingssysteem met basis een universeel ISOFIX kinderbeveiligingssysteem dat moet worden bevestigd met behulp van de ISOFIX bevestigingen.
- 3 Dit is een 'i-Size' kinderbeveiligingssysteem. Dit systeem is goedgekeurd conform VN-Reglement nr. 129 voor gebruik op zitplaatsen in het voertuig die geschikt zijn voor i-Size, zoals

in de gebruikershandleiding van het voertuig is aangegeven door de voertuigfabrikant.

- 4 Dit is een 'i-Size' kinderbeveiligingssysteem met gordel. Dit systeem is goedgekeurd conform VN-Reglement nr. 129 voor primair gebruik op 'universele zitplaatsen' in het voertuig, zoals in de gebruikershandleiding van het voertuig is aangegeven door de voertuigfabrikant.
- 5 Raadpleeg bij twijfel de fabrikant van het kinderbeveiligingssysteem of de verkoper.

WAARSCHUWING

Het niet naleven van deze waarschuwingen en instructies kan ernstige verwondingen of de dood tot gevolg hebben.

NL

De banden of riemen waarmee de draagmodule voor kinderen aan het voertuig is bevestigd, moeten strak zijn aangetrokken. Steunen moeten contact maken met de voertuigvloer. De riempjes waarmee het kind vastzit, moeten zijn afgesteld op het lichaam van het kind, en riempjes en banden mogen niet zijn gedraaid.

Bagage of andere voorwerpen die bij een botsing letsel kunnen veroorzaken, moeten goed worden opgeborgen en/of bevestigd.

Zorg ervoor dat het kinderbeveiligingssysteem zodanig is geïnstalleerd dat de onderdelen van het systeem de werking van beweegbare stoelen of voertuigdeuren niet belemmeren.

Voordat u de draagmodule voor kinderen optilt, dient u te verzekeren dat het kind goed is vastgemaakt met de kindergordel, en dat de draagbeugel goed is vergrendeld in de verticale positie.

Neem contact op met de distributeur voor vragen met betrekking tot onderhoud, reparaties en het vervangen van onderdelen.

Voor een correcte installatie zijn uitsluitend de ISOFIX bevestigingen toegestaan.

Controleer de ISOFIX geleiders regelmatig op vuil en maak deze indien nodig schoon. Binnendringend vuil, stof, etensresten, etc. kunnen de betrouwbaarheid beïnvloeden.

Controleer voor de aanschaf van dit kinderbeveiligingssysteem of het systeem goed kan worden geïnstalleerd in het te gebruiken voertuig.

Plaats dit kinderbeveiligingssysteem zonder textielen hoes nooit in het zonlicht aangezien het daardoor te heet kan worden voor de huid van het kind. Raak het kinderbeveiligingssysteem altijd eerst zelf aan om de temperatuur te controleren voordat je het kind in het systeem plaatst.

Om dit kinderbeveiligingssysteem te gebruiken met de ISOFIX bevestigingen conform VN-Reglement nr. 129, moet het kind aan de volgende voorwaarden voldoen.

Lengte kind 40 - 83 cm/Gewicht kind \leq 13kg (ca. 15 maanden oud of jonger).

Om dit kinderbeveiligingssysteem te gebruiken met de gordel van het voertuig, moet het kind aan de volgende voorwaarden voldoen.

Lengte kind 40 - 83 cm.

Gewicht kind \leq 13 kg/leeftijd kind \leq 15 maanden.

De zachte onderdelen (bekleding) van het kinderbeveiligingssysteem mogen niet worden vervangen door onderdelen anders dan door de fabrikant aanbevolen, omdat de zachte delen een integraal onderdeel zijn van het beveiligingssysteem.

NL

Om te voorkomen dat het kind uit het systeem kan vallen, moet het kind altijd worden vastgemaakt met de kindergordel wanneer het kind in een draagmodule voor kinderen is geplaatst, zelfs wanneer het kinderbeveiligingssysteem zich niet in het voertuig bevindt.

Ter voorkoming van ernstig letsel of de dood mag de draagmodule voor kinderen voor kinderen NOOIT op een verhoging worden geplaatst met het kind erin.

De onderdelen van dit kinderbeveiligingssysteem mogen in geen geval worden gesmeerd.

Verwijder de draagmodule voor kinderen en de basis van de zitplaats in het voertuig wanneer dit niet regelmatig wordt gebruikt.

Kinderen moeten ALTIJD worden vastgemaakt in het kinderbeveiligingssysteem, ook bij korte ritten aangezien hierbij de meeste ongelukken plaatsvinden.

Laat kinderen NOOIT zonder toezicht achter in het kinderbeveiligingssysteem.

Gebruik NOOIT een tweedehands kinderbeveiligingssysteem of een kinderbeveiligingssysteem waarvan u de geschiedenis niet kent, omdat het structurele schade kan hebben waardoor de veiligheid van het kind in gevaar wordt gebracht.

Gebruik NOOIT touw of andere alternatieven om het kinderbeveiligingssysteem in het voertuig te bevestigen of om het kind in het kinderbeveiligingssysteem vast te maken.

GEEN ENKEL kinderbeveiligingssysteem kan volledige bescherming garanderen tegen letsel als gevolg van een ongeluk. Correct gebruik van dit kinderbeveiligingssysteem kan het risico op ernstig letsel of de dood voor het kind echter wel verminderen.

Gebruik het naar achteren gerichte kinderbeveiligingssysteem NIET op zitplaatsen met een actieve frontale airbag. Dit kan leiden tot de dood of ernstig letsel. Raadpleeg de gebruikershandleiding van het voertuig voor meer informatie.

Plaats GEEN voorwerpen in het gebied rondom de steunvoet, vóór de basis.

Gebruik GEEN dragende contactpunten anders dan die zijn beschreven in de instructies en zijn gemarkeerd op het kinderbeveiligingssysteem.

Dit kinderbeveiligingssysteem mag NIET meer worden gebruikt nadat het betrokken is geweest bij een aanrijding, zelfs wanneer deze niet ernstig was. Vervang het kinderbeveiligingssysteem onmiddellijk aangezien de aanrijding mogelijk onzichtbare, structurele schade heeft veroorzaakt.

Installeer dit kinderbeveiligingssysteem NIET zonder de instructies in deze handleiding op te volgen, omdat je je kind anders ernstig in gevaar brengt met risico op ernstig letsel of de dood.

Dit kinderbeveiligingssysteem mag op GEEN enkele wijze worden aangepast of worden gebruikt met onderdelen van andere fabrikanten.

Gebruik het kinderbeveiligingssysteem NIET zonder de zachte onderdelen (bekleding).

Gebruik dit kinderbeveiligingssysteem NIET wanneer het is beschadigd of er onderdelen ontbreken.

Zorg ervoor dat het kind geen veel te ruime/ grote kleding draagt, aangezien het kind hierdoor mogelijk niet goed kan worden vastgemaakt met de schouderbanden en de kruisgordel tussen de benen.

Laat het kinderbeveiligingssysteem of andere voorwerpen niet zonder gordel of onbevestigd (los) in het voertuig achter, omdat een niet-vestigd kinderbeveiligingssysteem door het interieur kan worden geslingerd en inzittenden kan verwonden in het geval van een scherpe bocht, een plotselinge stop of aanrijding.

Gebruik ALLEEN de aanbevolen binnenkussens in dit kinderbeveiligingssysteem.

WAARSCHUWING De stoel gebruiken als ligstoel

De stoel gebruiken als ligstoel.

Gebruik altijd het bevestigingssysteem/de gordels.

Gebruik de stoel NIET als ligstoel wanneer je kind zonder hulp rechtop kan zitten.

Gebruik de stoel NIET wanneer er onderdelen beschadigd zijn of ontbreken.

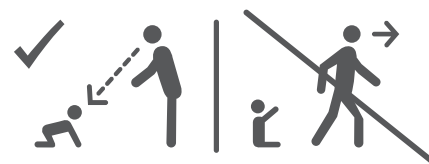
Gebruik GEEN accessoires of vervangende onderdelen die niet zijn goedgekeurd door de fabrikant.

Plaats deze stoel niet op een verhoogd oppervlak, zoals een tafel.

Laat het kind NOOIT zonder toezicht achter.

Deze stoel is niet bedoeld om langere tijd in te slapen.

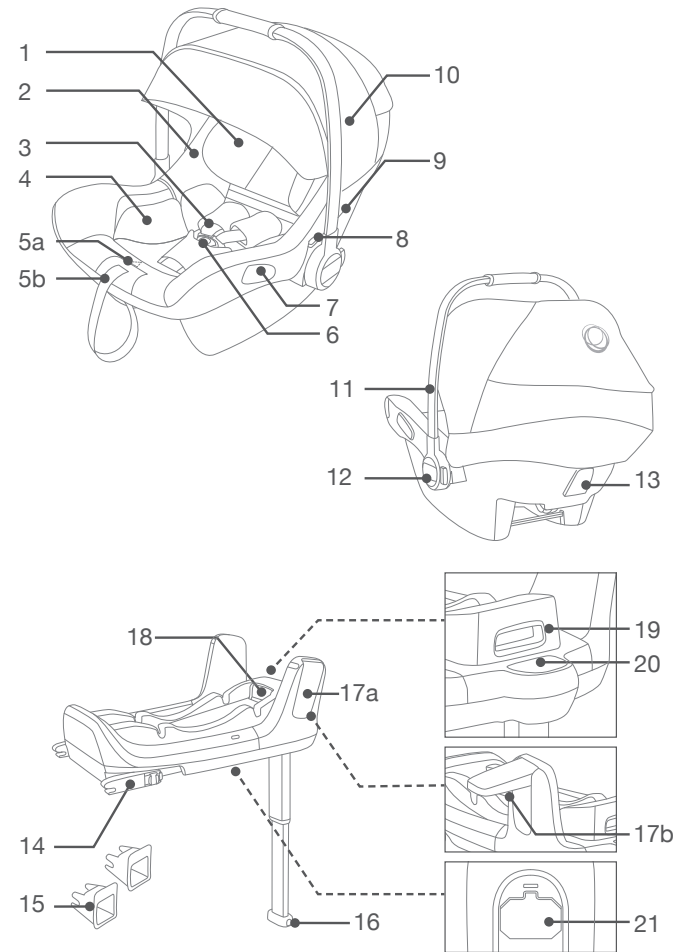
De stoel is geen vervanging van een ledikant of bed. Laat je kind slapen in een geschikt ledikant of bed.



Onderdelenlijst

Controleer voor de montage of alle onderdelen aanwezig zijn. De draagmodule voor kinderen en basis kunnen afzonderlijk worden aangeschaft. Als er een onderdeel ontbreekt, neem dan contact op met Bugaboo (zie pagina 50 voor informatie). Voor de montage is geen gereedschap nodig.

- | | | | |
|----|--------------------------------|-----|--|
| 1 | Hoofdsteun | 13 | Achtergeleider |
| 2 | Stoelbeschermer | 14 | ISOFIX bevestiging |
| 3 | Schouderbanden | 15 | ISOFIX geleiders |
| 4 | Baby-inzet | 16 | Verstelknop steunvoet |
| 5a | Verstelknop voor gordel | 17a | Beschermvleugels voor aanrijdingen van opzij |
| 5b | Verstelbare band | 17b | Knop voor wegklappen vleugel |
| 6 | Veiligheidssluiting | 18 | ISOFIX verstelknop |
| 7 | Zijgeleiders | 19 | Ontgrendelingsknop draagmodule voor kinderen |
| 8 | Ontgrendelingsknop kinderwagen | 20 | Indicator voor steunvoet |
| 9 | Bevestiging zonnekap | 21 | Bewaarkvakje gebruikshandleiding |
| 10 | Zonnekap | | |
| 11 | Draagbeugel | | |
| 12 | Knop draagbeugel | | |



Gebruik van het product

Houd bij de installatie rekening met het volgende

Deze draagmodule voor kinderen is geschikt voor zitplaatsen in voertuigen die zijn uitgerust met i-Size ISOFIX ankerpunten in combinatie met de Basis. (1)

Gebruik het naar achteren gerichte kinderbeveiligingssysteem NIET op zitplaatsen met een actieve frontale airbag. Dit kan leiden tot de dood of ernstig letsel. (2) Raadpleeg de gebruikershandleiding van het voertuig voor meer informatie.

Plaats dit kinderbeveiligingssysteem NIET op zitplaatsen die zijwaarts of achterwaarts zijn gericht ten opzichte van de bewegingsrichting van het voertuig. (3)

Wij raden aan om dit kinderbeveiligingssysteem op de achterbank van het voertuig te installeren. (4)



Plaats dit kinderbeveiligingssysteem NIET op zitplaatsen die tijdens de installatie kunnen worden bewogen.

Verstellen van de draagbeugel

- 1 De draagbeugel van de draagmodule voor kinderen kan in drie posities worden versteld. (5)
Positie als babystoel. (5)-1
Positie om de baby in het stoeltje te plaatsen. (5)-2
Positie voor transport in de auto, dragen met de hand of op kinderwagen. (5)-3

- 2 Om de draagbeugel te verstellen, moeten de knoppen aan beide zijden van de draagbeugel worden ingedrukt zodat de draagbeugel wordt ontgrendeld. (6)-1
- 3 Beweeg de draagbeugel totdat deze in een van de drie posities vastklikt. (6)-2

Gebruik met basis

- 1 Klap de steunvoet uit het opbergcompartiment. (7)
 - 2 Bevestig de ISOFIX-geleiders in de ISOFIX-ankerpunten (8) De ISOFIX-geleiders kunnen het oppervlak van de zitplaatsen in het voertuig beschermen tegen beschadigingen. Ze dienen tevens als geleiders voor de ISOFIX-bevestigingen.
 - 3 Druk op de ISOFIX-verstelknop om de ISOFIX-bevestigingen aan te passen. (9)
 - 4 Breng de ISOFIX-bevestigingen op één lijn met de ISOFIX-geleiders en klik beide ISOFIX-bevestigingen vervolgens in de ISOFIX-ankerpunten. (10)
-  Zorg ervoor dat beide ISOFIX bevestigingen goed zijn bevestigd op de ISOFIX ankerpunten. Er moeten twee klikken hoorbaar zijn en de kleur van de indicators op beide ISOFIX bevestigingen moet helemaal groen zijn. (10)-1
-  Controleer of de basis stevig is bevestigd door aan beide ISOFIX-bevestigingen te trekken.
- 5 Nadat de basis op de zitplaats in het voertuig is geplaatst, moet de steunvoet zodanig worden versteld dat deze de vloer aanraakt (11). Wanneer

de indicator op de steunvoet groen is, betekent dit dat de steunvoet goed is geïnstalleerd. Een rode indicatie duidt op een onjuiste installatie. (11)-2

- ⚠ De steunvoet heeft 19 posities. Als de indicator op de steunvoet rood is, betekent dit dat de steunvoet niet in de juiste positie staat.
 - ⚠ Zorg ervoor dat de steunvoet volledig contact maakt met de vloer van het voertuig.
 - ⚠ Om de steunvoet korter te maken, moet de ontgrendelingsknop van de steunvoet worden ingedrukt en de steunvoet omhoog worden getrokken. (11)-1 De compleet geïnstalleerde basis is afgebeeld als (12).
 - ⚠ De ISOFIX-bevestigingen moeten zijn vastgemaakt en vergrendeld op de ISOFIX-ankerpunten. (12)-1
 - ⚠ De steunvoet moet goed zijn geïnstalleerd, wat wordt aangeduid met een groene indicator. (12)-2
- 6 Om de basis te verwijderen moet eerst de secundaire vergrendeling (13)-1 worden ingedrukt en vervolgens de knop (13)-2 op de bevestigingen. Daarna kan de basis van de zitplaats worden verwijderd.
 - 7 Druk op de ISOFIX-verstelknop om de ISOFIX in te vouwen.
 - 8 Druk de draagmodule voor kinderen omlaag op de basis (14). Als het kinderbeveiligingssysteem goed is bevestigd, worden de beschermvleugels voor aanrijdingen van opzij geopend en is de indicator van het kinderbeveiligingssysteem

groen. (15) De beschermvleugel voor aanrijdingen van opzij die het verste van het portier is verwijderd, kan worden gesloten wanneer deze niet wordt gebruikt. Dit is weergegeven op (16).

- ⚠ Trek de draagmodule voor kinderen omhoog om te verzekeren dat deze goed op de basis is bevestigd.
- 9 Om de draagmodule voor kinderen te ontgrendelen moet het kinderbeveiligingssysteem omhoog worden getrokken terwijl de ontgrendelingsknop van de draagmodule wordt ingedrukt. (17)

Hoogte verstellen voor hoofdsteun en schouderbanden

Controleer of de schouderbanden op de juiste hoogte zijn ingesteld. Kies de juiste hoogte voor de schouderbanden afhankelijk van de lengte van het kind.

- ⚠ De schouderbanden moeten aansluiten op de schouders van het kind (18), maar mogen zich niet boven schouderhoogte bevinden. (19)
- ⚠ Als de schouderbanden zich niet op de juiste hoogte bevinden, kan het kind bij een botsing uit het kinderbeveiligingssysteem worden geslingerd.

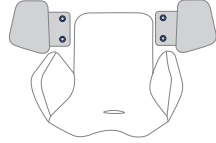
Trek aan de verstelhandel van de hoofdsteun (20) en beweeg tegelijkertijd de hoofdsteun omhoog of omlaag tot deze vastklikt in een van de zeven posities. De posities van de hoofdsteun zijn afgebeeld als (21).

Veiligheid van het kind

Baby-inzet gebruiken



Voor baby's kleiner dan 60 cm adviseren wij de complete baby-inzet te gebruiken totdat ze hier te groot voor zijn. De baby-inzet zorgt voor een betere bescherming bij aanrijdingen van opzij.



Verwijder de zijvleugels van de baby-inzet wanneer de schouders van de baby niet meer goed in de inzet passen.

Controleer nadat het kind in het stoeltje is geplaatst of de schouderbanden zich op de juiste hoogte bevinden.

- 1 Druk de verstelknop van de gordels in en trek de beide schouderbanden van het kinderbeveiligingssysteem helemaal uit. (22)
 - 2 Maak de sluiting van de gordels los door de rode knop in te drukken. (23)
 - 3 Plaats het kind in de draagmodule voor kinderen en maak de sluiting vast. (25) Raadpleeg (24).
 - 4 Trek de schouderbanden strak door aan de verstelbare band te trekken. (26)
- !** Zorg ervoor dat de ruimte tussen het kind en de schouderbanden ongeveer de dikte is van een hand.

Zonnekap

- 1 Vouw de zonneklep onder de voorste boog van de zonnekap vandaan. (27)
- 2 Trek de uittrekbare 'slimme zonneklep' uit de twee lagen van de zonneklep vandaan. (28)
- 3 Bevestig de magneten op elke hoek aan de voorkant van het autostoeltje. (29)
- 4 Het kijkvenster aan de achterzijde kan worden geopend voor extra ventilatie. (30)
Om de zonnekap weer terug te vouwen, moet eerst de zonneklep weer onder de voorste boog van de zonnekap worden geklapt en vervolgens kan de uittrekbare slimme zonneklep hieronder worden gevouwen.

Zachte onderdelen verwijderen en monteren

zie afbeeldingen (31)-(40)

Om de zachte onderdelen (bekleding) te verwijderen voer je de eerdergenoemde stappen in omgekeerde volgorde uit.

Gebruik zonder basis

- 1 Bevestig deze draagmodule voor kinderen NIET op zitplaatsen in het voertuig die zijn uitgerust met een heupgordel. (41)

- 2 Deze draagmodule voor kinderen is alleen geschikt voor zitplaatsen in voertuigen die zijn uitgerust met een driepuntsveiligheidsgordel (zonder basis). (42)
 - 3 Plaats de draagmodule voor kinderen op de gewenste zitplaats van het voertuig. Trek de veiligheidsgordel uit en maak de gesp vast in het voertuig. Schuif hierbij de heupgordel in de beide geleiders van de draagmodule voor kinderen. (43)
-  De draagmodule voor kinderen kan niet worden gebruikt wanneer de sluiting van de veiligheidsgordel (ontvanger) te lang is om de draagmodule voor kinderen veilig te kunnen bevestigen. (43)-1
- 4 Schuif het diagonale deel van de gordel (de schouderriem) in de achterste geleider. (44)
 - 5 Trek de schouderriem in het voertuig aan om de draagmodule voor kinderen stevig te bevestigen. (45)
 - 6 De draagmodule voor kinderen moet zich horizontaal ten opzichte van de ondergrond bevinden wanneer de draagmodule voor kinderen op een zitplaats is bevestigd. (46)
-  Trek de veiligheidsgordel van het voertuig zo strak mogelijk aan; de gordel mag niet te los zitten of gedraaid zijn.
-  Na het bevestigen van de draagmodule voor kinderen moet altijd worden gecontroleerd of de veiligheidsgordel van het voertuig goed is aangebracht en stevig vastzit in de sluiting. (47)

Gebruik in een vliegtuig

-  Houd rekening met het feit dat de veiligheid van het kind niet kan worden gegarandeerd wanneer de aanwijzingen in de installatie- en gebruikshandleiding niet worden opgevolgd.
-  De installatie van de draagmodule voor kinderen op een vliegtuigstoel wijkt af van de installatie op een zitplaats in een auto.
-  Bevestiging door middel van een tweepunts-heupgordel is alleen toegestaan in vliegtuigen.
-  De draagmodule voor kinderen moet met de gordel op de vliegtuigstoel bevestigd blijven, ook wanneer het kind zich niet in de draagmodule voor kinderen bevindt.
-  De draagmodule voor kinderen is alleen bedoeld voor gebruik op een hiervoor door de luchtvaartmaatschappij goedgekeurde passagiersstoel.
-  Gebruik de draagmodule voor kinderen niet in de buurt van airbags die eventueel kunnen worden geactiveerd. (2)
-  Houd er rekening mee dat de naar achteren gerichte draagmodule voor kinderen, alleen mag worden bevestigd op naar voren gerichte, passagiersstoelen. (48)

De draagmodule voor kinderen bevestigen door middel van de veiligheidsgordel van de vliegtuigstoel:

- 1 Plaats de draagmodule voor kinderen in tegenovergestelde richting van de vliegrichting op de passagiersstoel.

- 2 Zorg ervoor dat de draagbeugel in de bovenste positie staat.
 - 3 Plaats de veiligheidsgordel in de beide gordelgeleiders.
 - 4 Sluit de veiligheidsgordel (raadpleeg de veiligheidsinstructies van de luchtvaartmaatschappij).
 - 5 Trek de veiligheidsgordel stevig vast door aan het uiteinde van de gordel te trekken. (49)
- ⚠ De gesp van de veiligheidsgordel mag in geen geval binnen de donkergroene gordelgeleiders vallen. (50)

Verwijderen:

Open de veiligheidsgordel van de passagiersstoel (raadpleeg de veiligheidsinstructies van de luchtvaartmaatschappij). De draagmodule voor kinderen kan nu van de passagiersstoel worden getild.

Reiniging en onderhoud

Neem het onderstel, de kunststof onderdelen en de bekleding af met een vochtige doek, maar gebruik geen schurende reinigingsmiddelen of bleek. Gebruik geen smeermiddelen op siliconenbasis, aangezien dit vuil en stof aantrekt.

Neem het product na gebruik in regenachtig weer af met een zachte, absorberende doek om verzekerd te zijn van langdurig gebruiksplezier.

Raadpleeg de waslabels die aan de zachte onderdelen zijn bevestigd voor specifieke was- en droogvoorschriften.

Het is normaal dat textiel verkleurt door zonlicht en dat dit na langdurig gebruik slijtage vertoont, zelfs bij normaal gebruik.

Gebruik om veiligheidsredenen alleen originele Bugaboo by Nuna onderdelen.

Controleer regelmatig of alles naar behoren functioneert. Stop direct het gebruik van het product als onderdelen gescheurd of kapot zijn, of als deze ontbreken.

De informatie in dit document kan zonder voorafgaande kennisgeving worden gewijzigd. Bugaboo International BV is niet aansprakelijk voor technische fouten of weglatingen in dit document. Het aangeschafte product kan verschillen van het product zoals dit is beschreven in deze gebruikershandleiding. Onze meest geraadpleegde gebruikershandleidingen kunnen worden aangevraagd via onze klantenservice of op www.bugaboo.com. © 2019 Bugaboo International BV. BUGABOO, BUGABOO CAMELEON, BUGABOO BEE, BUGABOO DONKEY, BUGABOO FOX, BUGABOO TURTLE, BUGABOO ANT, BUGABOO LYNX, BUGABOO STARDUST en de Bugaboo-logo's zijn geregistreerde handelsmerken. De Bugaboo®-kinderwagens zijn gepatenteerd en hebben een beschermd ontwerp. © NUNA International B.V. Nuna en alle bijbehorende logo's zijn handelsmerken.

**WICHTIG!
DIESE ANLEITUNG FÜR
REFERENZZWECKE
AUFBEWAHREN:
SORGFÄLTIG
DURCHLESEN**

Inhalt

Produktinformation	74
Produktregistrierung	74
Kundenservice	74
Voraussetzungen für die Benutzung mit Kind	75
Zur Verwendung mit der Basis	76
Warnung	78
Teilleiste	84
Gebrauch des Produkts	86
Reinigung und Pflege	94
English (EN)	2
Français (FR)	24
Nederlands (NL)	48
Deutsch (DE)	72
Italiano (IT)	96
Espanol (ES)	120
Ελληνικά (EL)	144
Dansk (DA)	168
Suomi (FI)	192
Norsk (NO)	216

Produktinformation

Modellnummer: _____

Hergestellt in (Datum): _____

Produktregistrierung

Bitte trage die obigen Informationen ein. Die Modellnummer und das Herstellungsdatum befinden sich auf der Unterseite des Bugaboo Turtle Air by Nuna.

Hier kannst du dein Produkt registrieren:
<https://service.bugaboo.com/ProductRegistrationForm>

Nuna hat dieses Produkt so entwickelt und hergestellt, dass es den hohen Qualitätsansprüchen von Nuna und Bugaboo entspricht. Bitte halte deinen Kaufnachweis, die Modellnummer und das Herstellungsdatum bereit, wenn du mit dem Kundenservice Kontakt aufnimmst. Bugaboo nimmt gerne deinen Anruf zur Bugaboo Turtle Air by Nuna entgegen.

Die Garantieinformationen zu diesem Bugaboo Turtle Air by Nuna findest du auf: www.bugaboo.com/warranty

Kundenservice

Wenn du eine Frage hast, findest du die Antwort vielleicht bereits auf unserer Website www.bugaboo.com. Wenn du mit unserem internationalen Kundenserviceteam Kontakt aufnehmen möchtest, freuen wir uns, von dir zu hören! Wir stehen für alle Fragen, Anliegen oder Anmerkungen zur Verfügung, die du in Bezug auf unsere Produkte oder Dienstleistungen hast. Melde dich einfach bei uns. Dein Feedback hilft uns, unsere Produkte und Dienstleistungen weiter zu verbessern.

Wähle deine bevorzugte Kontaktmethode:

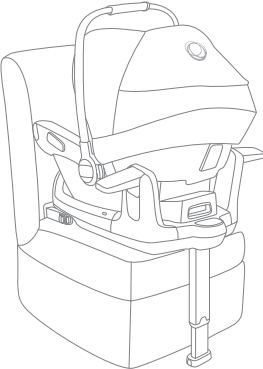
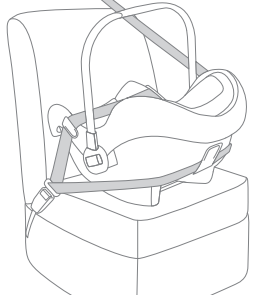
Telefon, +49-6922221140 **E-Mail**, service.de@bugaboo.com

Kontaktformular auf Bugaboo.com, www.bugaboo.com/support

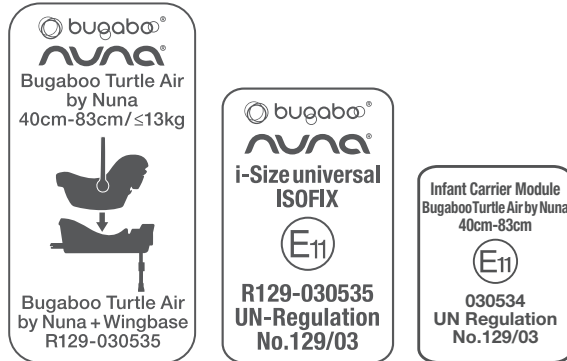
Twitter, @Bugaboo

Voraussetzungen für die Benutzung mit Kind

Dieses Produkt eignet sich für die Benutzung mit Kindern, die folgende Voraussetzungen erfüllen:

Abbildung zur Installation	Geeignet für
	Größe 40 cm-83 cm/ Gewicht ≤ 13 kg (ungefähr 15 Monate oder jünger)
	Größe 40 cm-83 cm/ Gewicht ≤ 13 kg Alter ≤ 15 Monate

Zur Verwendung mit der Basis



- 1 Bei „i-Size“ (Integral Universal ISOFIX Enhanced Child Restraint Systems oder auch verbessertes Kinderrückhaltesysteme mit integraler Universal-ISOFIX-Verankerung) handelt es sich um eine Kategorie von verbesserten Kinderrückhaltesystemen, die vor allem zur Verwendung auf allen i-Size-Sitzplätzen eines Fahrzeugs entwickelt wurden.
- 2 Gemäß der UN-Regelung Nr. 129 ist das Kinderrückhaltesystem mit Basis ein universelles, verbessertes ISOFIX Kinderrückhaltesystem und sollte unter Verwendung der ISOFIX-Verbindungen installiert werden.

- 3 Dies ist ein verbessertes „i-Size“ Kinderrückhaltesystem. Es ist gemäß UN-Regelung Nr. 129 für die Verwendung in i-Size-kompatiblen Fahrzeugsitzen entsprechend den Herstellerangaben im Betriebshandbuch des Fahrzeugs zugelassen.
- 4 Dies ist ein universales Kinderrückhaltesystem mit Gurt. Es ist gemäß UN-Regelung Nr. 129 in erster Linie für die Verwendung in „universalen Fahrzeugsitzen“ entsprechend den Angaben des Fahrzeugherstellers im Betriebshandbuch des Fahrzeugs zugelassen.
- 5 In Zweifelsfällen wende dich entweder an den Hersteller des Kinderrückhaltesystems oder den Einzelhändler.

WARNUNG

Die Nichtbeachtung dieser Warnungen und Anweisungen kann zu schweren Verletzungen oder zum Tod führen.

Alle Gurte, die die Babyschale mit dem Fahrzeug verbinden, müssen eng angezogen sein, das Standbein muss Kontakt mit dem Fahrzeuginnenboden haben, alle Gurte, die das Kind sichern, müssen dem Körper des Kindes angepasst werden und die Gurtbänder dürfen nicht verdreht sein.

Alle Gepäckteile oder anderweitigen Objekte, die bei einer Kollision zu Verletzungen führen könnten, müssen einwandfrei gesichert werden.

Achte darauf, dass das Kinderrückhaltesystem so installiert ist, dass kein Teil davon die beweglichen Sitze oder das Funktionieren der Fahrzeugtüren beeinträchtigt.

Bevor die Babyschale von Hand getragen wird, muss sichergestellt werden, dass das Kind mit dem Kinderhaltegurt gesichert ist und dass der Tragebügel korrekt in der senkrechten Position eingerastet ist.

Bitte wende dich an den Händler, falls du Fragen zu Pflege, Reparatur und Ersatzteilaustausch hast.

Die korrekte Installation ist nur mittels ISOFIX-Verbindungen zulässig.

Kontrolliere die ISOFIX-Führungen regelmäßig auf Schmutz und reinige sie gegebenenfalls. Ihre Funktionsfähigkeit kann durch das Eindringen von Schmutz, Staub, Essensbestandteilen o.Ä. beeinträchtigt werden.

Bitte vergewissere dich vor dem Kauf dieses Kinderrückhaltesystems, dass es ordnungsgemäß in deinem Fahrzeug installiert werden kann.

Bitte das Kinderrückhaltesystem ohne Textilabdeckung von Sonneneinstrahlung fernhalten, denn es kann zu heiß für die Haut deines Kindes werden. Prüfe die Temperatur des Kinderrückhaltesystems immer zuerst mit der Hand, bevor du das Kind hineinsetzt.

Zur Verwendung dieses Kinderrückhaltesystems mit ISOFIX-Verbindungen gemäß UN-Regelung Nr. 129 muss dein Kind folgende Voraussetzungen erfüllen.

Größe 40 cm-83 cm/Gewicht \leq 13 kg (ungefähr 15 Monate oder jünger).

Zur Verwendung dieser Babyschale mit dem Autosicherheitsgurt muss dein Kind folgende Voraussetzungen erfüllen.

Größe 40 cm-83 cm.

Gewicht \leq 13 kg/Alter \leq 15 Monate.

Die Textilteile des Kinderrückhaltesystems dürfen nicht durch andere als die vom Hersteller empfohlenen ersetzt werden, da die Textilteile einen integralen Bestandteil der Rückhalteleistung darstellen.

Um ein mögliches Herausfallen zu vermeiden, muss das Kind immer mit dem Haltegurt gesichert werden, wenn es in die Babyschale gesetzt wird, auch wenn das Kinderrückhaltesystem nicht im Fahrzeug verwendet wird.

Zur Vermeidung schwerer Verletzungen oder Todesfälle die Babyschale NIEMALS auf eine erhöhte Fläche stellen, während sich das Kind darin befindet.

Die Teile dieses Kinderrückhaltesystems dürfen in keiner Weise geschmiert werden.

Entferne diese Babyschale und die Basis vom Fahrzeugsitz, wenn sie nicht regelmäßig gebraucht werden.

Das Kinderrückhaltesystem IMMER sichern, auch auf Kurzfahrten, da genau dann die meisten Unfälle passieren.

Lasse dein Kind NIEMALS unbeaufsichtigt im Kinderrückhaltesystem.

NIEMALS ein gebrauchtes Kinderrückhaltesystem oder eines mit unklarer Vorgeschichte verwenden, da es strukturelle Schäden aufweisen könnte, die für das Kind eine Sicherheitsgefährdung darstellen.

NIEMALS Seile oder andere Vorrichtungen verwenden, um das Kinderrückhaltesystem im Fahrzeug zu befestigen oder das Kind im Kinderrückhaltesystem festzuschallen.

KEIN Kinderrückhaltesystem bietet bei einem Unfall einen vollständigen Schutz vor Verletzungen. Die sachgemäße Verwendung dieses Kinderrückhaltesystems reduziert für dein Kind jedoch die Gefahr einer schweren oder tödlichen Verletzung.

Das nach hinten gerichtete Kinderrückhaltesystem NICHT in Fahrzeugsitzen verwenden, an denen ein aktivierter Front-Airbag installiert ist. Tod oder schwere Verletzungen können die Folge sein. Nähere Informationen findest du in der Bedienungsanleitung deines Fahrzeugs.

KEINE Gegenstände in den Bereich des Standbein vor der Basis legen.

Verwende KEINE anderen tragenden Kontaktpunkte als jene, die in der Gebrauchsanweisung beschrieben und auf dem Kinderrückhaltesystem angegeben sind.

Dieses Kinderrückhaltesystem NICHT weiter verwenden, wenn es in einem Aufprall involviert war, auch bei einem kleinen. Bitte sofort ersetzen, da aufgrund des Aufpralls unsichtbare strukturelle Schäden vorliegen können.

Dieses Kinderrückhaltesystem NICHT ohne die Anweisungen in dieser Gebrauchsanleitung installieren, da dein Kind sonst einer erheblichen Gefahr von Verletzungen oder Tod ausgesetzt ist.

An diesem Kinderrückhaltesystem KEINE Veränderungen vornehmen und NICHT mit Komponenten anderer Hersteller verwenden.

Das Kinderrückhaltesystem NICHT ohne die Textilteile verwenden.

Das Kinderrückhaltesystem NICHT verwenden, falls es beschädigt ist oder Teile fehlen.

Das Kind nicht in weiter/übergroßer Kleidung festgurten, da dein Kind sonst möglicherweise nicht einwandfrei und sicher mit den Schultergurten und dem Schrittgurt zwischen den Beinen angeschnallt ist.

Lasse dieses Kinderrückhaltesystem oder andere Gegenstände NICHT unangegurtet oder ungesichert im Fahrzeug, da ein ungesichertes Kinderrückhaltesystem in einer scharfen Kurve, bei einem abrupten Haltevorgang oder einem Zusammenstoß umherschleudern und andere Passagiere verletzen kann.

KEINE anderen als die empfohlenen Innenkissen in das Kinderrückhaltesystem legen.



WARNUNG

Nutzung des Sitzes als Babyschaukel

Nutzung des Sitzes als Babyschaukel.

Verwende immer das Rückhaltesystem.

Verwende den Sitz NICHT als Babyschaukel, wenn dein Kind selbstständig sitzen kann.

Verwende den Sitz NICHT, wenn Teile defekt sind oder fehlen.

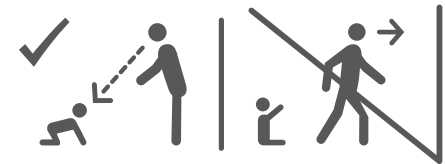
Verwende NUR Zubehör oder Ersatzteile, das vom Hersteller empfohlen wird.

Es ist gefährlich, diesen Sitz auf einer erhöhten Oberfläche, z. B. einem Tisch, zu verwenden.

Das Kind NIEMALS unbeaufsichtigt lassen.

Dieser Sitz ist nicht für längere Schläfeinheiten gedacht.

Dieser Sitz ersetzt kein Reisebett oder Bett. Wenn dein Kind schlafen muss, lege es in ein geeignetes Reisebett oder Bett.

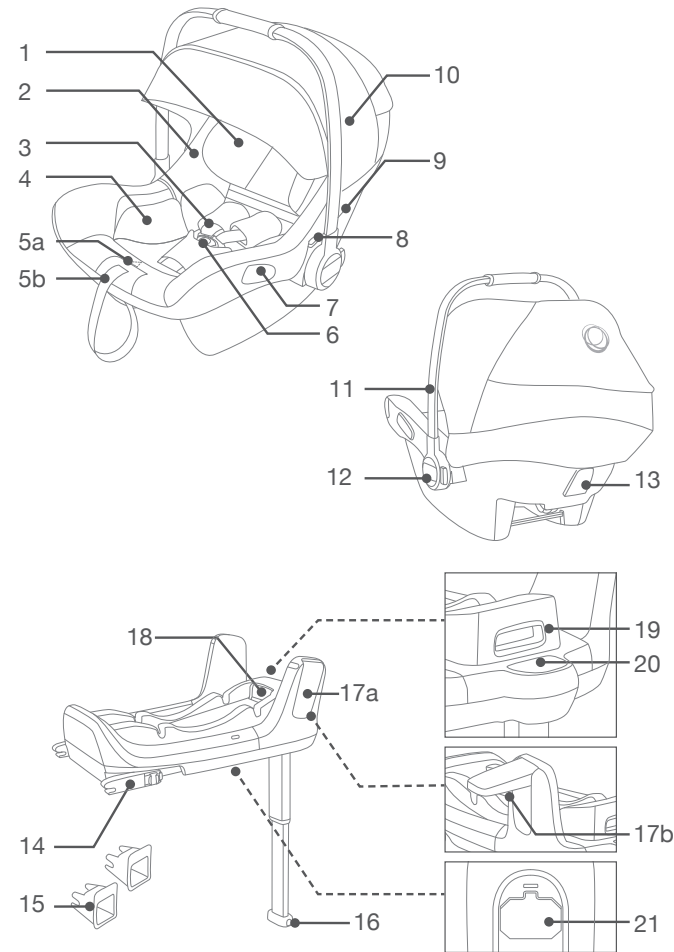


Teileliste

Vergewissere dich vor dem Zusammenbauen, dass alle Teile vorhanden sind. Die Babyschale und die Basis werden eventuell separat verkauft. Falls Teile fehlen, setze dich bitte mit Bugaboo in Verbindung (siehe S. 74 für weitere Informationen). Für die Montage sind keine Werkzeuge erforderlich.

DE

- | | | | |
|----|---------------------------|-----|--|
| 1 | Kopfstütze | 13 | Rückwärtige Führung |
| 2 | Sitzkissen | 14 | ISOFIX-Verbindung |
| 3 | Schultergurte | 15 | ISOFIX-Führungen |
| 4 | Babyeinlage | 16 | Standbein-Verstellknopf |
| 5a | Gurt-Verstellknopf | 17a | Seitenaufprall-schutzflügel |
| 5b | Gurtstraffer | 17b | Flügel-Einklappknopf |
| 6 | Sicherheitsschnalle | 18 | ISOFIX-Verstellknopf |
| 7 | Seitliche Führungen | 19 | Babyschalen-Freigabeknopf |
| 8 | Kinderwagen-Freigabeknopf | 20 | Standbeinanzeige |
| 9 | Sonnendachhalterung | 21 | Aufbewahrungsfach für die Gebrauchsanleitung |
| 10 | Sonnendach | | |
| 11 | Tragebügel | | |
| 12 | Tragebügelknopf | | |



DE

Gebrauch des Produkts

Wichtige Hinweise zur Installation

Diese Babyschale eignet sich für Fahrzeugsitze mit i-Size ISOFIX-Verankerungspunkten mit Basis. (1)

Das nach hinten gerichtete Kinderrückhaltesystem NICHT in Fahrzeugsitzen verwenden, an denen ein aktivierter Front-Airbag installiert ist. Tod oder ernsthafte Verletzungen können die Folge sein. (2) Nähere Informationen findest du in der Bedienungsanleitung deines Fahrzeugs.

Befestige dieses Kinderrückhaltesystem NICHT auf Fahrzeugsitzen, die seitlich zur Fahrtrichtung oder nach hinten gerichtet sind. (3)

Es wird empfohlen, dieses Kinderrückhaltesystem auf einem Sitz der Rückbank zu befestigen. (4)

Befestige dieses Kinderrückhaltesystem NICHT auf Fahrzeugsitzen, die während des Einbaus beweglich sind.



Tragebügeleinstellung

- 1 Der Tragebügel der Babyschale kann in 3 Positionen verstellt werden. (5)
Babystuhlposition. (5)-1
Position zum Hineinsetzen des Babys. (5)-2
Position für Fahrzeug-, Hand- oder Kinderwagentransport. (5)-3

- 2 Zum Verstellen des Tragebügels die Tragebügelknöpfe an beiden Seiten drücken, um ihn zu lösen. (6)-1
- 3 Bügel umlegen, bis er in eine der 3 Positionen einrastet. (6)-2

Installation mit Basis

- 1 Das Standbein aus dem Aufbewahrungsfach ausklappen. (7)
- 2 Die ISOFIX-Führungen an den ISOFIX-Verankerungspunkten befestigen. (8) Die ISOFIX-Führungen schützen die Bezüge des Fahrzeugsitzes vor Rissen. Außerdem führen sie die ISOFIX-Verbindungen.
- 3 Den ISOFIX-Verstellknopf drücken, um die ISOFIX-Verbindungen auszuklappen. (9)
- 4 Richte die ISOFIX-Verbindungen mit den ISOFIX-Verankerungspunkten aus und stecke beide ISOFIX-Verbindungen bis zum Einrasten in die ISOFIX-Verankerungspunkte. (10)

-  Achte darauf, dass beide ISOFIX-Verbindungen sicher an ihren ISOFIX-Verankerungspunkten befestigt sind. Es sollten zwei Klicktöne zu hören sein und die Farben der Anzeigen an beiden ISOFIX-Verbindungen sollten komplett grün sein. (10)-1
-  Vergewissere dich, dass die Basis sicher befestigt ist, indem du an beiden ISOFIX-Verbindungen ziehst.

- 5** Wenn die Basis auf dem Fahrzeugsitz platziert ist, ziehst du das Standbein bis zum Boden aus (11). Eine grüne Standbeinanzeige bedeutet, die Installation ist korrekt, bei einer roten Anzeige ist die Installation falsch. (11)-2
- !** Das Standbein hat 19 Positionen. Wenn die Standbeinanzeige rot ist, dann ist das Standbein in der falschen Position.
- !** Vergewissere dich, dass das Standbein vollständigen Kontakt mit dem Fahrzeugboden hat.
- !** Zum Verkürzen des Standbeins den Freigabeknopf des Standbeins drücken und das Standbein nach oben ziehen. (11)-1 Die vollständig montierte Basis ist in Abb. (12) zu sehen.
- !** Die ISOFIX-Verbindungen müssen in den ISOFIX-Verankerungspunkten befestigt und verriegelt sein. (12)-1
- !** Das Standbein muss korrekt installiert sein und eine grüne Anzeige aufweisen. (12)-2
- 6** Zum Entfernen der Basis drückst du zunächst den zweiten Verriegelungsknopf (13)-1 und dann den Knopf (13)-2 an den Riegelverbindungen, bevor du die Basis vom Fahrzeugsitz entfernst.
- 7** Drücke den ISOFIX-Verstellknopf, um die ISOFIX-Vorrichtung einzuklappen.
- 8** Drücke die Babyschale auf die Basis (14). Wenn das Kinderrückhaltesystem sicher installiert ist, sind die Seitenaufprallschutzflügel offen und die Anzeige des Kinderrückhaltesystems ist grün.

(15) Der Seitenaufprallschutzflügel abseits der Tür kann geschlossen werden wie in (16) abgebildet, wenn er nicht in Gebrauch ist.

- !** Durch Hochziehen der Babyschale kontrollieren, ob sie sicher in der Basis verriegelt ist.
- 9** Zum Lösen der Babyschale das Kinderrückhaltesystem hochziehen und gleichzeitig den Babyschalen-Freigabeknopf drücken. (17)

Höhenverstellung

der Kopfstütze und Schultergurte

Vergewissere dich, dass die Schultergurte auf die richtige Höhe eingestellt sind. Wähle bitte das richtige Paar Schultergurtschlitze passend zur Größe deines Kindes.

- !** Die Schultergurte müssen sich möglichst nah an den Schultern deines Kindes befinden (18), jedoch nicht über der Schulterlinie. (19)
- !** Wenn die Schultergurte sich nicht auf der richtigen Höhe befinden, könnte das Kind bei einem Aufprall aus dem Kinderrückhaltesystem geschleudert werden.

Ziehe den Verstellhebel der Kopfstütze (20), während du gleichzeitig die Kopfstütze nach oben oder unten schiebst, bis sie in eine ihrer 7 Positionen eingerastet ist. Die Kopfstützenpositionen sind in (21) abgebildet.

Sicherung des Kindes

Verwendung der Babyeinlage



Kontrolliere ob die Schultergurte auf der richtigen Höhe sind, wenn das Kind sich im Sitz befindet.

- 1 Halte den Einstellknopf des Schultergurts gedrückt, während du die beiden Schultergurte des Kinderückhaltesystems vollständig herausziehst. (22)
 - 2 Entriegle die Gurtschnalle durch Drücken des roten Knopfes. (23)
 - 3 Setze das Kind in die Babyschale und lasse die Schnalle einrasten. (25)
Bitte beachte Abbildung (24).
 - 4 Ziehe die Schultergurte enger, indem du am Gurtstraffer ziehst. (26)
- !** Achte darauf, dass zwischen die Schultergurte und Schulter des Kindes noch eine flache Hand passt.

Sonnendach




- 1 Klappe die Sonnenblende aus dem vorderen Stützbogen des Sonnendachs hervor. (27)
- 2 Ziehe den ausziehbaren „Smart Visor“ zwischen den beiden Lagen der Sonnenblende heraus. (28)
- 3 Befestige die Magneten an jeder Ecke der Vorderseite des Autokindersitzes. (29)
- 4 Das Peek-a-Boo-Fenster hinten kann zum Zweck der Belüftung geöffnet werden. (30)
Zum Zurückfalten des Sonnendachs zuerst die Sonnenblende unter den vorderen Stützbogen klappen und dann den ausziehbaren Smart Visor darunterfalten.

Abnehmen und Anbringen der Textilteile





Siehe Abbildungen (31)-(40)

Zum Anbringen der Textilteile die erwähnten Schritte in umgekehrter Reihenfolge ausführen.

Installation ohne Basis

- 1 Installiere diese Babyschale NICHT auf Fahrzeugsitzen mit Beckengurt. (41)
 - 2 Diese Babyschale ist nur für Fahrzeugsitze mit einem 3-Punkt-Sicherheitsgurt (ohne Basis) vorgesehen. (42)
 - 3 Platziere die Babyschale auf dem gewünschten Fahrzeugsitz. Ziehe den Fahrzeug-Sicherheitsgurt heraus und verriegle ihn im Gurtschloss, wobei du den Fahrzeug-Beckengurt in die seitlichen Führungen der Babyschale schiebst. (43)
-  Die Babyschale kann nicht verwendet werden, wenn das Fahrzeug-Gurtschloss (am Sitz befindlich) zu lang ist, um das Kinderrückhaltesystem sicher zu befestigen. (43)-1
- 4 Das diagonale Gurtband in die hintere Führung einschieben. (44)
 - 5 Den Fahrzeug-Schultergurt festziehen, um die Babyschale eng und sicher zu befestigen. (45)
 - 6 Die Ausgleichslinie der Babyschale muss waagrecht zum Boden sein, wenn das Kinderrückhaltesystem installiert wird. (46)
-  Zieh den Fahrzeug-Sicherheitsgurt so eng wie möglich an und achte darauf, dass er nicht lose oder verdreht ist.
-  Überprüfe nach der Installation der Babyschale immer, ob die Fahrzeug-Sicherheitsgurte korrekt geführt und sicher in den Gurtschlössern des Fahrzeugs eingerastet sind. (47)

Flugzeuginstallation

-  Beachte, dass die Sicherheit des Kindes bei Nichteinhaltung der Installations- und Bedienungsanleitung nicht garantiert werden kann.
-  Beachte, dass sich die Installation der Babyschale auf einem Fluggastsitz von der Installation auf einem Fahrzeugsitz unterscheidet.
-  Beachte, dass die Befestigung mittels 2-Punkt-Beckengurt nur in Flugzeugen erlaubt ist.
-  Beachte, dass die Babyschale auf dem Fluggastsitz angeschnallt bleiben muss, selbst wenn sich das Kind nicht darin befindet.
-  Beachte, dass die Babyschale nur bei einem von der Fluggesellschaft genehmigten Fluggastsitz genutzt werden darf.
-  Achtung: Verwende die Babyschale nicht im Öffnungsbereich eines Airbags. (2)
-  Beachte, dass nach hinten gerichtete Babyschalen nur auf nach vorne gerichteten Fluggastsitzen installiert werden dürfen. (48)

So wird die Babyschale unter Verwendung des Sicherheitsgurts auf dem Fluggastsitz installiert:

- 1 Platziere die Babyschale entgegen der Flugrichtung auf dem Fluggastsitz.
- 2 Vergewissere dich, dass sich der Tragebügel in aufrechter Position befindet.

- 3 Schiebe den Sicherheitsgurt in beide Gurtführungen ein.
 - 4 Raste den Sicherheitsgurt des Fluggaststuhls ein (dabei die Sicherheitsanweisungen der Fluggesellschaft beachten).
 - 5 Ziehe den Sicherheitsgurt straff an, indem du am Gurtende ziehst. (49)
- !** Die Schnalle des Sicherheitsgurts darf keinesfalls innerhalb der dunkelgrünen Gurtführungen liegen. (50)

Entfernen:

Löse den Sicherheitsgurt des Fluggaststuhls (dabei die Sicherheitsanweisungen der Fluggesellschaft beachten). Jetzt kannst du die Babyschale aus dem Passagiersitz heben.

Reinigung und Pflege

Reinige den Rahmen, Kunststoffteile und Textil mit einem feuchten Tuch, verzichte aber auf Scheuer- oder Bleichmittel. Keine Silikonöle verwenden, da Schmutz und Staub an ihnen haften bleibt.

Zur Gewährleistung einer langen Lebensdauer des Produkts sollte es nach einem Einsatz bei nassem Wetter mit einem weichen, saugfähigen Tuch abgewischt werden.

Beachte beim Waschen und Trocknen die Pflegeetiketten an den Textilteilen.

Es ist selbst bei gewöhnlichem Gebrauch normal, dass Textilien nach langer Benutzung durch Sonnenlicht verblassen und Verschleißerscheinungen aufweisen.

Verwende aus Sicherheitsgründen nur Originalteile des Bugaboo by Nuna.

Prüfe regelmäßig nach, ob alles einwandfrei funktioniert. Das Produkt darf nicht verwendet werden, falls Teile verschlissen oder beschädigt sind bzw. fehlen.

Die hier enthaltenen Informationen können ohne Vorankündigung geändert werden. Bugaboo International BV übernimmt keine Haftung für hier enthaltene technische Fehler oder Auslassungen. Das erworbene Produkt kann vom Produkt in der Bedienungsanleitung abweichen. Unsere neuesten Bedienungsanleitungen können in unseren Service-Abteilungen oder unter www.bugaboo.com bestellt werden

© 2019 Bugaboo International BV. BUGABOO, BUGABOO CAMELEON, BUGABOO BEE, BUGABOO DONKEY, BUGABOO FOX, BUGABOO TURTLE, BUGABOO ANT, BUGABOO LYNX, BUGABOO STARDUST und die Bugaboo Logos sind eingetragene Warenzeichen. Die Bugaboo® Kinderwagen stehen unter Patent- und Designschutz. © NUNA International B.V. Nuna und alle damit verbundenen Logos sind Warenzeichen.

**IMPORTANTE!
CUSTODIRE QUESTE
INFORMAZIONI PER
RIFERIMENTI FUTURI:
LEGGERE
ATTENTAMENTE**

Contenuti

Informazioni sul prodotto	98
Registrazione prodotto	98
Assistenza clienti	98
Requisiti per l'utilizzo con bambini	99
Per l'utilizzo con la base	100
Avvertenze	102
Elenco delle parti	108
Utilizzo prodotto	110
Pulizia e manutenzione	119

English (EN)	2
Francais (FR)	24
Nederlands (NL)	48
Deutsch (DE)	72
Italiano (IT)	96
Espanol (ES)	120
Ελληνικά (EL)	144
Dansk (DA)	168
Suomi (FI)	192
Norsk (NO)	216

Informazioni prodotto

Numero modello: _____

Prodotto in (data): _____

Registrazione prodotto

Si prega di compilare le informazioni di cui sopra. Il numero del modello e la data di produzione si trovano sotto a Bugaboo Turtle Air by Nuna.

Per registrare il tuo prodotto visita:
<https://service.bugaboo.com/ProductRegistrationForm>

Nuna ha sviluppato questo prodotto appositamente per soddisfare gli alti standard di qualità di Nuna e Bugaboo. Quando contattate il nostro servizio clienti siete pregati di avere a portata di mano la prova d'acquisto, il numero del modello e la data di fabbricazione. Bugaboo risponderà alle chiamate relative a Bugaboo Turtle Air by Nuna.

Per maggiori informazioni sulla garanzia di questo Bugaboo Turtle Air by Nuna, visita: www.bugaboo.com/warranty

Assistenza clienti

Se hai una domanda potresti trovare la risposta sul nostro sito www.bugaboo.com. Se hai bisogno di contattare il nostro servizio clienti internazionale, siamo sempre lieti di aiutarti! Siamo disponibili per rispondere a domande, dubbi o commenti relativi a prodotti e servizi. Non esitare a contattarci. Il tuo feedback ci aiuta a migliorare ulteriormente i nostri prodotti e servizi.

Scegli il metodo di contatto preferito:

Telefono, +39-0687500908

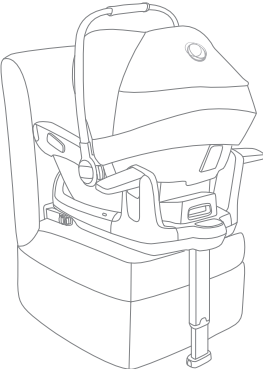
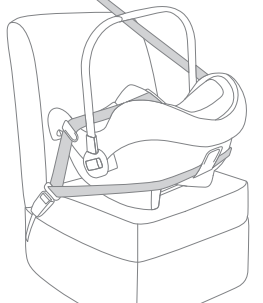
Email, service.it@bugaboo.com

Modulo di contatto tramite bugaboo.com,
www.bugaboo.com/support

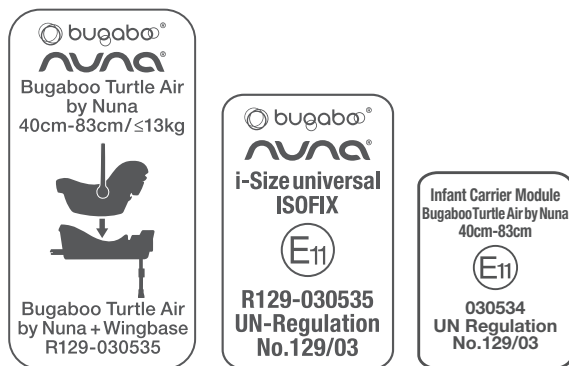
Twitter, @Bugaboo

Requisiti per l'utilizzo con bambini

Il presente prodotto è idoneo all'utilizzo con bambini che soddisfano i seguenti requisiti:

Figura per installazione	Adatto a
	Bambini con altezza compresa tra 40 cm e 83 cm/ Bambino di peso inferiore o pari a 13 kg (approssimativamente di 15 mesi o età inferiore)
	Bambini con altezza compresa tra 40 cm e 83 cm/ Bambino di peso inferiore o pari a 13 kg (approssimativamente di età inferiore o pari a 15 mesi)

Per l'utilizzo con la base



- 1 “i-Size” dispositivi avanzati universali integrati ISOFIX di ritenuta del bambino) è una categoria del dispositivo avanzato di ritenuta del bambino, principalmente progettato per l'utilizzo in tutti i seggiolini i-Size di un veicolo.
- 2 Secondo la normativa UN 129, il dispositivo avanzato di ritenuta del bambino con base è un dispositivo avanzato ISOFIX di ritenuta del bambino dovrebbe essere installato utilizzando gli attacchi ISOFIX.
- 3 Questo è un dispositivo avanzato di ritenuta del bambino “i-Size”. È conforme alla normativa UN 129, per l'utilizzo sui seggiolini del veicolo compatibili con i-Size, come indicato dai produttori del veicolo nel manuale del veicolo.

- 4 Questo è un dispositivo avanzato di ritenuta del bambino universale. È conforme alla normativa UN 129, per l'utilizzo principalmente sui seggiolini del veicolo universali, come indicato dai produttori del veicolo nel manuale del veicolo.
- 5 In caso di dubbi, consultare il produttore del dispositivo avanzato di ritenuta del bambino o il rivenditore.

AVVERTENZA

La mancata osservanza degli avvertimenti e delle istruzioni di seguito potrebbe risultare in gravi infortuni o morte.

Eventuali cinture che legano il modulo di trasporto per bambini al veicolo dovrebbero essere tese, il piede di supporto dovrebbe essere in contatto con il pianale del veicolo, eventuali cinture che legano il bambino dovrebbero essere regolate in base al corpo del bambino e le cinture non dovrebbero essere attorcigliate.

Eventuali borse o altri oggetti che possono arrecare danni in caso di collisione devono essere fissati in modo sicuro.

Assicurarsi che il dispositivo avanzato di ritenuta sia installato in modo tale che nessuna parte interferisca con sedili mobili o con il funzionamento delle porte del veicolo.

Prima di portare il modulo di trasporto per bambini a mano, assicurarsi che il bambino sia legato con la cintura di sicurezza e che il maniglione sia bloccato correttamente nella posizione verticale.

Consultare il distributore per questioni riguardanti manutenzione, riparazioni e sostituzioni delle parti.

L'installazione corretta avviene soltanto con l'utilizzo dei connettori ISOFIX.

Ispezionare spesso le guide ISOFIX per verificare che non contengano sporco e pulirle se necessario. Il funzionamento può essere compromesso dalla presenza di sporco, polvere, briciole di cibo.

Prima di acquistare questo dispositivo avanzato di ritenuta del bambino si prega di verificare che possa essere installato correttamente nel vostro veicolo.

Qualora questo dispositivo avanzato di ritenuta del bambino sia sprovvisto della copertina in tessuto, tenerlo lontano dalla luce, per evitare che diventi troppo caldo per la pelle del bambino. Toccare sempre il dispositivo avanzato di ritenuta del bambino prima di mettervi il bambino.

Per utilizzare questo dispositivo avanzato di ritenuta del bambino con i ganci ISOFIX secondo la normativa UN 129, il tuo bambino deve soddisfare i seguenti requisiti.

Bambini con altezza compresa tra 40 cm e 83 cm/Bambino di peso inferiore o pari a 13 kg (approssimativamente di 15 mesi o età inferiore)

Per utilizzare questo modulo di trasporto per bambini con la cintura del veicolo, il tuo bambino deve soddisfare i seguenti requisiti.

Bambini con altezza compresa tra 40 cm e 83 cm.

Bambini di peso inferiore o pari a 13 kg (approssimativamente di età inferiore o pari a 15 mesi).

I materiali morbidi del dispositivo avanzato di ritenuta del bambino non dovrebbero essere sostituiti altro che con quelli consigliati dal produttore, perché essi costituiscono parte integrante delle prestazioni di ritenuta.

Per evitare il rischio che il bambino cada fuori dal seggiolino, legare sempre il bambino con la cintura quando questo si trova nel modulo di trasporto per bambini, anche quando il dispositivo avanzato di ritenuta del bambino non si trova all'interno del veicolo.

Per evitare gravi infortuni o la morte, non posizionare MAI il modulo di trasporto per bambini con dentro il bambino su una seduta su una superficie elevata.

Le parti di questo dispositivo avanzato di ritenuta del bambino non devono essere lubrificate in alcun modo.

Rimuovere questo modulo per trasportino e la base dal veicolo quando non è utilizzato regolarmente.

Legare SEMPRE il proprio bambino con il dispositivo avanzato di ritenuta, anche per brevi spostamenti, perché è proprio in queste occasioni che avvengono gli incidenti.

Non lasciare MAI il tuo bambino incustodito con questo dispositivo avanzato di ritenuta del bambino.

Non utilizzare MAI un dispositivo avanzato di ritenuta del bambino di seconda mano o un dispositivo avanzato di ritenuta del bambino di cui non conosci la storia perché ciò potrebbe avere un danno strutturale che pregiudica la sicurezza del tuo bambino.

Non utilizzare MAI corde o qualsiasi altro sostituto per allacciare il dispositivo avanzato di ritenuta del bambino nel veicolo o per legare il bambino in un dispositivo avanzato di ritenuta del bambino.

NESSUN dispositivo avanzato di ritenuta del bambino può garantire la totale protezione da infortuni in un incidente. Tuttavia, l'utilizzo corretto di questo dispositivo avanzato di ritenuta del bambino ridurrà il rischio di gravi infortuni o la morte del tuo bambino.

NON utilizzare i dispositivi avanzati di ritenuta del bambino rivolti nel senso opposto di marcia ove vi sia un airbag frontale attivo installato. Può essere causa di morte o gravi infortuni. Si prega di fare riferimento al manuale del proprietario del veicolo per maggiori informazioni.

NON posizionare alcun oggetto nell'area per le gambe davanti alla base (del trasportino).

NON utilizzare alcun punto di contatto di sostegno del peso diverso da quelli descritti nelle istruzioni e segnati sul dispositivo avanzato di ritenuta del bambino.

NON continuare a utilizzare questo dispositivo avanzato di ritenuta del bambino dopo aver subito qualsiasi tipo di incidente, anche se di piccola entità. Sostituirlo immediatamente in quanto vi possono essere danni strutturali invisibili causati dall'incidente.

NON installare questo dispositivo avanzato di ritenuta del bambino senza seguire le istruzioni del presente manuale o potreste mettere a serio rischio di infortunio o morte il vostro bambino.

NON effettuare alcuna modifica a questo dispositivo avanzato di ritenuta del bambino o utilizzarlo con i componenti di altri produttori.

NON utilizzare il dispositivo avanzato di ritenuta del bambino senza i materiali morbidi.

NON utilizzare il presente dispositivo avanzato di ritenuta del bambino se presenta parti danneggiate o mancanti.

NON vestire il tuo bambino con un abbigliamento ingombrante/sovradimensionato perché questo potrebbe impedire al tuo bambino di essere legato in modo corretto e sicuro dagli spallacci e dalle cinture inguinali.

NON lasciare questo dispositivo avanzato di ritenuta del bambino o altri elementi slegati o non allacciati nel tuo veicolo perché un dispositivo avanzato di ritenuta del bambino non allacciato può arrivare addosso agli altri passeggeri e arrecare loro danni in una curva stretta, una fermata improvvisa o in una collisione.

NON inserire imbottiture diverse da quelle consigliate in questo dispositivo avanzato di ritenuta del bambino.



AVVERTENZA

Utilizzare il seggiolino auto come una culla reclinabile

Utilizzare il seggiolino auto come una culla reclinabile.

Utilizzare sempre il dispositivo di contenimento.

NON utilizzare il seggiolino come una culla reclinata una volta che il tuo bambino può stare seduto da solo.

NON utilizzare il seggiolino se qualche componente è danneggiato o mancante.

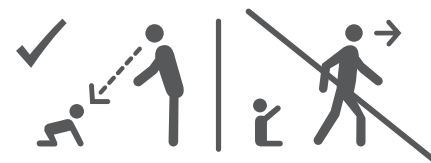
NON utilizzare accessori o parti diverse da quelle approvate dal produttore.

È pericoloso utilizzare questo seggiolino auto su una superficie sopraelevata, come per es. un tavolo.

Non lasciare MAI un bambino incustodito.

Questo seggiolino auto non è inteso perché il bambino vi dorma per periodi prolungati.

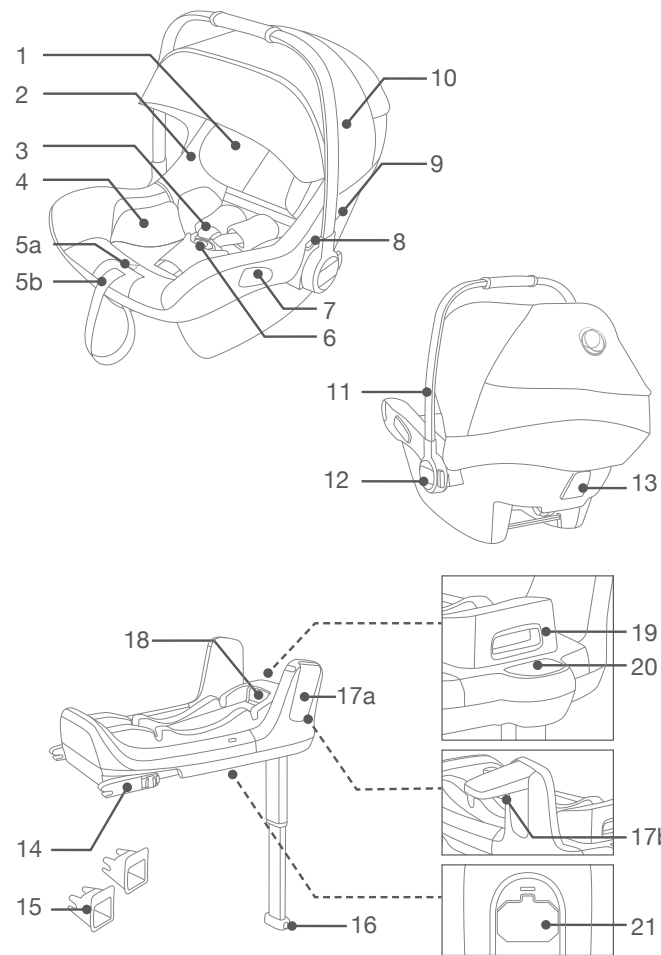
Questo seggiolino non sostituisce una culla o un lettino. Se il tuo bambino ha necessità di dormire, dovrebbe essere posizionato in una culla o lettino adatto.



Elenco delle parti

Assicurarsi di avere tutte le parti prima dell'assemblaggio. Il modulo di trasporto per bambini e la base possono essere venduti separatamente. Qualora mancassero delle parti, si prega di contattare Bugaboo (vedi pagina 98 per maggiori informazioni). Non sono necessari attrezzi.

- | | | | |
|----|--|-----|--|
| 1 | Poggia testa | 13 | Guida posteriore |
| 2 | Imbottitura del sedile | 14 | Connettore ISOFIX |
| 3 | Spallacci | 15 | Guide ISOFIX |
| 4 | Riduttore neonato | 16 | Pulsante di regolazione del piede di supporto |
| 5a | Pulsante di regolazione della cintura di sicurezza | 17a | Alette di protezione da impatti laterali |
| 5b | Fibbia di regolazione | 17b | Pulsante ripiegamento alette |
| 6 | Fibbia di sicurezza | 18 | Pulsante di regolazione ISOFIX |
| 7 | Guide ISOFIX | 19 | Pulsante di blocco del modulo di trasporto per bambini |
| 8 | Pulsante di sblocco del passeggino | 20 | Indicatore del piede di supporto |
| 9 | Attacco della cappottina | 21 | Vano per il manuale di istruzioni |
| 10 | Cappottina | | |
| 11 | Maniglione | | |
| 12 | Pulsante del maniglione | | |



Utilizzo prodotto

Avvertenze di installazione

Questo modulo di trasporto per bambini è adatto per i seggiolini del veicolo dotati di punti di ancoraggio i-Size ISOFIX con la base. (1)

NON utilizzare i dispositivi avanzati di ritenuta del bambino rivolti nel senso opposto di marcia ove vi sia un airbag frontale attivo installato. Può essere causa di morte o gravi infortuni. (2) Per maggiori informazioni si prega di fare riferimento al manuale del proprietario del veicolo.

NON installare questo dispositivo avanzato di ritenuta del bambino su seggiolini del veicolo rivolti lateralmente o nel senso opposto a quello di marcia del veicolo. (3)

Si consiglia di installare questo dispositivo avanzato di ritenuta del bambino sul seggiolino posteriore del veicolo(4).

NON installare questo dispositivo avanzato di ritenuta del bambino su seggiolini mobili del veicolo durante l'installazione.

Regolazione del maniglione

- 1 Il maniglione del modulo di trasporto per bambini può essere regolato in tre posizioni. (5)
Posizione seggiolino. (5)-1
Posizione per mettere il neonato nel trasportino. (5)-2
Posizione per trasporto in auto, a mano o sul passeggino. (5)-3

- 2 Per regolare il maniglione, spingere i pulsanti del maniglione su entrambi i lati per sbloccarlo. (6)-1
- 3 Ruotare il maniglione fino a che non fa clic in una delle 3 posizioni. (6)-2

Installazione con la base

- 1 Estrarre ed aprire il piede di supporto dal vano portaoggetti, (7)
 - 2 Connettere le guide ISOFIX con i punti ISOFIX di ancoraggio. (8) Le guide ISOFIX possono impedire che la superficie della seduta del veicolo si strappi. Esse inoltre guidano i connettori ISOFIX.
 - 3 Premere il pulsante di regolazione ISOFIX per regolare i connettori ISOFIX. (9)
 - 4 Allineare i connettori ISOFIX con le guide ISOFIX , poi spingi entrambi i connettori ISOFIX nei punti di ancoraggio ISOFIX fino a quando non senti "clic". (10)
-  Assicurarsi che entrambi i connettori ISOFIX siano agganciati in modo sicuro ai loro punti di ancoraggio ISOFIX. Si dovrebbero sentire due "clic" e i colori degli indicatori su entrambi i connettori ISOFIX dovrebbero essere completamente verdi. (10)-1
-  Verificare che la base sia installata in modo sicuro tirando entrambi i connettori ISOFIX.
- 5 Dopo avere appoggiato la base sulla seduta del veicolo, estendere il piede di supporto sul

pavimento (11). Se l'indicatore del piede di supporto mostra il colore verde, significa che è stato installato correttamente, se mostra il colore rosso significa che non è stato installato correttamente. (11)-2

- ⚠ Il piede di supporto ha 19 posizioni. Quando l'indicatore del piede di supporto diventa rosso significa che il piede di supporto è nella posizione sbagliata.
 - ⚠ Assicurarsi che il piede di supporto tocchi perfettamente il pianale del veicolo.
 - ⚠ Per accorciare il piede di supporto, premere il pulsante di sblocco e tirare il piede di supporto verso l'alto. (11)-1 La base completamente assemblata viene mostrata nella figura (12).
 - ⚠ I connettori ISOFIX devono essere attaccati e bloccati sui punti di ancoraggio ISOFIX. (12)-1
 - ⚠ Il piede di supporto deve essere installato correttamente e l'indicatore deve essere verde. (12)-2
- 6 Per togliere la base premere prima il pulsante di blocco secondario (13)-1 e poi il pulsante (13)-2 sui connettori a scatto prima di togliere la base dalla seduta del veicolo.
 - 7 Premere il pulsante di regolazione ISOFIX per chiudere l'ISOFIX.
 - 8 Spingere il modulo di trasporto per bambini nella base (14), se il dispositivo avanzato di ritenuta del bambino è sicuro, le alette di protezione da

impatti laterali saranno aperte e l'indicatore del dispositivo avanzato di ritenuta del bambino sarà verde. (15) L'aletta di protezione da impatti laterali che è lontana dalla porta può essere chiusa come mostrato nella figura (16) quando non in uso.

- ⚠ Sollevare il trasportino per verificare che sia agganciato in modo sicuro alla base.
- 9 Per sbloccare il modulo di trasporto per bambini, sollevare il dispositivo avanzato di ritenuta del bambino mentre si spinge il pulsante di sblocco del modulo di trasporto per bambini.(17)

Regolazione dell'altezza per poggiatesta e spallacci

Verificare che gli spallacci siano regolati all'altezza giusta. Scegliere gli slot corretti per gli spallacci in base all'altezza del bambino.

- ⚠ Gli spallacci devono essere vicini alle spalle del tuo bambino (18), ma non oltre linea delle spalle.(19)
- ⚠ Se gli spallacci non sono posizionati all'altezza giusta, in caso di incidente il bambino potrebbe essere espulso dal dispositivo avanzato di ritenuta del bambino.

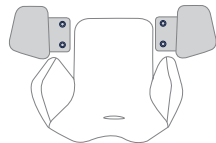
Tirare la leva di regolazione del poggiatesta (20), poi spostare su o giù il poggiatesta fino a quando non si blocca in una delle 7 posizioni. Le posizioni del poggiatesta sono mostrate nella figura (21).

Sicurezza del bambino

Utilizzare il riduttore neonato



Si consiglia di utilizzare il riduttore neonato quando il bambino è di altezza inferiore ai 60 cm o fino a quando sono troppo grandi per il riduttore. Il riduttore neonato aumenta la protezione da impatti laterali.



Rimuovere il riduttore con alette di protezione laterali per il neonato quando il riduttore risulta troppo piccolo per le spalle del neonato.

Una volta che il bambino è nel seggiolino, verificare se gli spallacci sono all'altezza giusta.

- 1 Mentre si preme il pulsante di regolazione delle cinture tirare completamente i due spallacci del dispositivo avanzato di ritenuta del bambino.(22)
 - 2 Sbloccare la fibbia della cintura premendo il pulsante rosso.(23)
 - 3 Mettere il neonato nel modulo di trasporto per bambini e bloccare la fibbia.(25) Si prega di fare riferimento alla figura (24).
 - 4 Stringere gli spallacci tirando la fettuccia di regolazione.(26)
- ⚠** Assicurarsi che lo spazio tra il neonato e gli spallacci sia pari allo spessore di una mano.

Cappottina

- 1 Ribaltare il visore da sotto la parte frontale dell'arco della cappottina.(27)
- 2 Tirare il visore intelligente estendibile che si trova tra i due strati del visore.(28)
- 3 Attaccare i magneti su ogni angolo della parte frontale del seggiolino auto.(29)
- 4 La finestrella sul retro può essere aperta per maggiore ventilazione. (30)
Per piegare la cappottina, prima chiudere il visore sotto l'arco frontale della cappottina e poi ripiegarlo sotto il visore intelligente estendibile

Stacca e attacca le parti in tessuto


vedi immagini (31)-(40)

Per riassemblare le parti in tessuto, segui di nuovo le indicazioni illustrate sopra.

Installazione senza la base

- 1 NON installare questo modulo di trasporto per bambini su seggiolini del veicolo con cinture ventrali. (41)
- 2 Questo modulo di trasporto per bambini è adatto solo per i seggiolini del veicolo dotati di cintura di sicurezza con arrotolatore a 3 punti (senza base). (42)


3 Posizionare il modulo di trasporto per bambini sul seggiolino del veicolo desiderato. Tirare la cintura di sicurezza del veicolo e allacciarla alla fibbia del veicolo facendo scivolare la cintura ventrale nelle guide laterali del modulo di trasporto per bambini. (43)


 Il modulo di trasporto per bambini non può essere utilizzato se la fibbia della cintura di sicurezza del veicolo (la parte femmina della fibbia) è troppo lunga per ancorare il modulo di trasporto per bambini in modo sicuro. (43)-1

4 Fare scivolare la cintura diagonale nella guida posteriore. (44)


5 Tirare la cintura diagonale del veicolo per allacciare il modulo di trasporto per bambini saldamente e in modo sicuro. (45)


6 L'allineamento sul modulo di trasporto per bambini deve essere allineato con il suolo quando il modulo di trasporto per bambini viene installato. (46)


 Tirare il più possibile la cintura del veicolo verificando che non sia allentata o girata.


 Dopo aver installato il modulo di trasporto per bambini, verificare sempre che le cinture del veicolo siano infilate in modo corretto e sicuro allacciandole nella fibbia del veicolo. (47)


Installazione in aereo


 Nota: la sicurezza del bambino non è garantita se le indicazioni del manuale di installazione e del manuale d'uso non sono rispettate.


 Nota: l'installazione del modulo di trasporto per bambini su un seggiolino di un aeromobile è diverso dall'installazione su un seggiolino di un veicolo.

 Nota: l'attacco con la Cintura ventrale a 2 punti è consentito soltanto su un aeromobile.

 Nota: il modulo di trasporto per bambini deve rimanere allacciato al seggiolino dell'aeromobile anche quando non occupato.

 Nota: il modulo di trasporto per bambini è da utilizzarsi esclusivamente su un sedile passeggero autorizzato dalla linea aerea.

 Avvertenza: non utilizzare il modulo di trasporto per bambini nell'area di gonfiaggio dell'airbag. (2)


 Nota: il modulo di trasporto per bambini rivolto nel senso opposto di marcia dovrebbe essere installato esclusivamente su seggiolini rivolti nel senso di marcia. (48)

Come installare il modulo di trasporto per bambini utilizzando la cintura di sicurezza dell'aeromobile:

1 Posizionare il modulo di trasporto per bambini sul sedile passeggero in direzione opposta rispetto a quella del volo.

2 Assicurarsi che il maniglione sia nella posizione più alta.

- 3 Posizionare la cintura di sicurezza in entrambe le guide della cintura.
- 4 Allacciare la cintura di sicurezza (fare riferimento alle istruzioni di sicurezza della linea aerea).
- 5 Stringere la cintura di sicurezza tirando l'estremità della stessa. (49)

 La fibbia della cintura di sicurezza non deve trovarsi per alcuni motivi tra le guide verde scuro della cintura. (50)

Rimozione: Slacciare la cintura di sicurezza del sedile passeggero (fare riferimento alle istruzioni di sicurezza della linea aerea). Ora è possibile togliere il modulo di trasporto per bambini dal seggiolino passeggero.

IT

Pulizia e manutenzione

Pulire la struttura, le parti in plastica e il tessuto con un panno umido, ma non utilizzare prodotti abrasivi o candeggina. Non utilizzare lubrificanti al silicone poiché attirano sporco e incrostazioni.

Per assicurare un utilizzo duraturo, dopo averlo utilizzato sotto la pioggia, pulire il prodotto con un panno assorbente, morbido.

Fare riferimento alle etichette di lavaggio dei materiali in tessuto per le istruzioni di lavaggio e asciugatura.

È normale che il tessuto assuma un colore diverso in seguito all'esposizione al sole e che mostri segni di usura nel corso di un lungo periodo di utilizzo, anche quando utilizzato normalmente.

Per questioni di sicurezza, utilizzare esclusivamente parti Bugaboo by Nuna.

Verificare regolarmente se tutto funziona correttamente. Qualora alcune parti siano danneggiate, rotte o mancanti, non utilizzare il prodotto.

Le informazioni qui contenute sono soggette a modifiche senza preavviso. Bugaboo International BV non è responsabile per errori o omissioni tecniche qui contenute. Il prodotto acquistato può essere diverso da quello descritto nel presente manuale. I nostri manuali più recenti possono essere richiesti presso i nostri servizi clienti o su www.bugaboo.com.

© 2019 Bugaboo International BV. BUGABOO, BUGABOO CAMELEON, BUGABOO BEE, BUGABOO DONKEY, BUGABOO FOX, BUGABOO TURTLE, BUGABOO ANT, BUGABOO LYNX, BUGABOO STARDUST e il logo Bugaboo sono marchi registrati. I passeggini Bugaboo® sono brevettati e il loro design è protetto. © NUNA International B.V. Nuna e tutti i logo e marchi registrati associati.

IT

¡IMPORTANTE!
 GUARDA ESTAS
 INSTRUCCIONES PARA
 FUTURAS CONSULTAS:
 LEE DETENIDAMENTE

Contenidos

Información de producto	122
Registro del producto	122
Servicio de atención al cliente	122
Requisitos de uso infantil	123
Para utilizar con la base	124
Advertencias	126
Listado de piezas	132
Uso del producto	134
Instrucciones de limpieza y mantenimiento	142
English (EN)	2
Francais (FR)	24
Nederlands (NL)	48
Deutsch (DE)	72
Italiano (IT)	96
Espanol (ES)	120
Ελληνικά (EL)	144
Dansk (DA)	168
Suomi (FI)	192
Norsk (NO)	216

Información de producto

Número de modelo: _____

Fabricado en (fecha): _____

Registro del producto

Por favor, completa la información superior. El número de modelo y la fecha de fabricación están ubicados en la parte inferior de la Bugaboo Turtle Air by Nuna.

Para registrar tu producto, por favor, visita <https://service.bugaboo.com/ProductRegistrationForm>

Nuna ha desarrollado y fabricado específicamente este producto para cumplir con los altos estándares de calidad de Nuna y Bugaboo. Por favor, ten a mano el comprobante de compra, el número de modelo y la fecha de fabricación cuando contactes con el servicio de atención al cliente. Bugaboo atenderá tu llamada sobre la Bugaboo Turtle Air by Nuna.

Para información sobre la garantía de esta Bugaboo Turtle Air by Nuna, por favor visita: www.bugaboo.com/warranty

Servicio de atención al cliente

Si tienes alguna pregunta puedes encontrar la respuesta en nuestra página web www.bugaboo.com. Si necesitas contactar con nuestro equipo de atención al cliente internacional, ¡estaremos siempre encantados de ayudarte! Estamos a tu disposición para responder cualquier tipo de pregunta, duda o comentario que puedas tener acerca de nuestros productos y servicios. No dudes en contactarnos. Tus opiniones nos ayudan a mejorar aún más nuestros productos y servicios.

Elige tu método de contacto preferido:

Teléfono, +34-937622555

Correo electrónico, service.es@bugaboo.com

Formulario de contacto a través de, www.bugaboo.com/support

Twitter, @Bugaboo

Requisitos de uso infantil

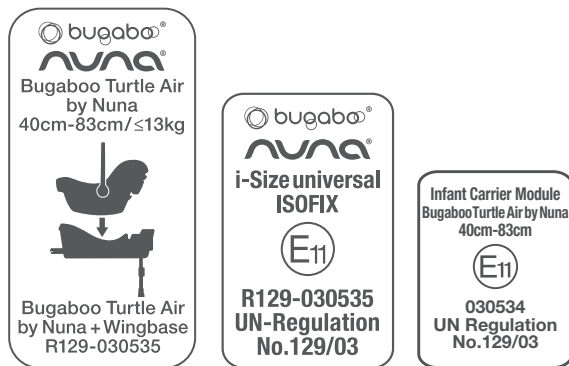
Este producto es adecuado para usar con niños que cumplen con los siguientes requisitos:

Imagen para la instalación	Adecuado para
	Niños con altura entre 40 cm - 83 cm/ Peso del niño $\leq 13\text{kg}$ (hasta 15 meses aproximadamente o más pequeño)
	Niños con altura entre 40 cm - 83 cm/ Peso del niño $\leq 13\text{kg}$ Edad del niño ≤ 15 meses

ES

ES

Para utilizar con la base



- 4 Este es un sistema de retención infantil mejorado con cinturón de seguridad universal. Se ha aprobado de acuerdo con la ONU, reglamento n° 129, para usar fundamentalmente en las posiciones de silla Universal como está indicado por los fabricantes del vehículo en el manual de usuario del vehículo.
- 5 En caso de duda, consulta tanto con el fabricante del sistema de retención infantil mejorado o el punto de venta.

ES

- 1 i-Size (sistema de retención infantil mejorado con ISOFIX universal integral) es una categoría del sistema de retención infantil mejorado diseñado principalmente para usar en todas las posiciones de silla i-Size de un vehículo.
- 2 De acuerdo con el reglamento de la ONU n° 129, el sistema de retención infantil mejorado con base es un ISOFIX de retención infantil universal y debe instalarse usando las conexiones ISOFIX.
- 3 Este es un sistema i-Size de retención infantil mejorado. Se ha aprobado de acuerdo con la ONU, reglamento n° 129, para usar en las posiciones de silla de coche, compatibles con i-Size según lo indicado por los fabricantes del vehículo en el manual de usuario del vehículo.

ES

ADVERTENCIAS

El incumplimiento de estas advertencias e instrucciones podría ocasionar lesiones graves o, incluso la muerte.

Todas las correas que sujetan el módulo del portabebés al vehículo deben estar ajustadas, que la pata de carga debe estar en contacto con el suelo del vehículo, que cualquier correa que sujete al niño debe ajustarse a su cuerpo y, que ninguna correa debe estar torcida.

Cualquier equipaje u otros objetos que puedan causar lesiones en caso de colisión deben estar fijados correctamente.

Asegúrate que el sistema de retención infantil mejorado está instalado de modo que ninguna parte interfiera con los asientos móviles o con el funcionamiento de las puertas de un vehículo.

Antes de cargar el módulo del portabebés con la mano, asegúrate que el niño está sujeto con el arnés infantil y, que el asa está bloqueada de modo correcto en posición vertical.

Ponte en contacto con el distribuidor para temas relacionados con el mantenimiento, la reparación y el recambio de piezas.

El modo de instalación correcto solo está permitido con el uso de los conectores ISOFIX.

Revisa con frecuencia las guías ISOFIX en busca de suciedad y límpialas si fuera necesario. La fiabilidad puede verse afectada por la entrada de suciedad, polvo, partículas de comida, etc.

Por favor, consulta antes de tu compra este sistema de retención infantil para asegurarte que puede ser instalado adecuadamente en tu vehículo.

Por favor, mantén este sistema de retención infantil mejorado sin una funda alejado de la luz solar, porque puede estar demasiado caliente para la piel de tu hijo. Siempre toca el sistema de retención infantil antes de colocar al niño en el mismo.

Para utilizar esta retención infantil mejorada con las conexiones ISOFIX de acuerdo con el reglamento de la ONU n° 129, tu hijo debe cumplir con los siguientes requisitos.

Altura del niño entre 40 cm - 83 cm /
Peso del niño $\leq 13\text{kg}$ (hasta 15 meses aproximadamente o más pequeños)

Para utilizar este módulo portabebés con el cinturón de seguridad del vehículo, tu hijo debe cumplir con los siguientes requisitos.

Altura del niño entre 40 cm - 83 cm.

Peso del niño $\leq 13\text{kg}$ /Edad del niño ≤ 15 meses.

Los materiales blandos del sistema de retención infantil mejorado no deben sustituirse por otros que no sean los recomendados por el fabricante, ya que estos materiales forman una parte fundamental del sistema de retención.

Para evitar el riesgo de caída, asegura siempre el niño usando el arnés infantil cuando el pequeño esté colocado en el módulo portabebés, incluso cuando el sistema de retención mejorado no esté en el vehículo.

Para evitar lesiones graves o incluso la muerte, **NUNCA** coloques el módulo portabebés en una silla elevada con el niño dentro.

Las piezas de este sistema de retención infantil mejorado no deben lubricarse nunca.

Extrae este módulo portabebés y la base del asiento del vehículo cuando no lo utilices de forma habitual.

SIEMPRE asegura tu hijo en el sistema de retención infantil mejorado, incluso en trayectos cortos, ya que es cuando la mayoría de accidentes ocurren.

NUNCA dejes a tu niño desatendido con este sistema de retención mejorado.

NUNCA utilices un sistema de retención infantil de segunda mano o uno cuya historia no conozcas, porque puede tener daños estructurales que ponen en peligro la seguridad de tu hijo.

NUNCA utilices cuerdas o cualquier otro sustituto para asegurar el sistema de retención infantil mejorado en el vehículo o para asegurar el niño en el sistema de retención.

NINGÚN sistema de retención infantil mejorado puede garantizar una protección completa en caso de lesiones por accidente. Sin embargo, el uso adecuado de este sistema de retención infantil reducirá el riesgo de lesiones graves o la muerte de tu hijo.

NO utilices los sistemas de retención infantil acontramarcha en posiciones de asientos dónde esté instalado un airbag frontal activo. Puede causar la muerte o lesiones graves. Por favor, consulta el manual de usuario del vehículo para más información.

NO coloques ningún objeto en la zona de la pata de carga delante de tu base.

NO utilices ningún otro punto de contacto de carga que los descritos en las instrucciones y marcados en el sistema de retención infantil.

NO continúes usando este sistema de retención infantil tras haber sufrido algún tipo de colisión, aunque sea leve. Reemplázalo inmediatamente ya que pueden haber daños estructurales invisibles, fruto de la colisión.

NO instales este sistema de retención infantil sin seguir las instrucciones de este manual, ya que podría implicar un riesgo grave de lesiones para hijo o incluso la muerte.

NO hagas ningún tipo de modificación a este sistema de retención infantil ni lo uses con partes integrantes de otros fabricantes.

NO utilices el sistema de retención infantil mejorado sin los materiales blandos.

NO utilices el sistema de retención infantil mejorado si falta alguna pieza o está rota.

NO coloques a tu hijo con ropa demasiado grande porque esto puede evitar que tu niño esté sujeto de forma correcta y firmemente abrochado con las correas del arnés de hombros y el cinturón de la entretierna.

NO dejes este sistema de retención infantil mejorado, u otros elementos desabrochados o sin fijar en tu vehículo porque un sistema de retención infantil sin fijar puede arrojar y lesionar al pequeño pasajero en una curva cerrada, parada repentina o en caso de una colisión.

NO coloques otra cosa que no sean los cojines interiores recomendados en este sistema de retención infantil mejorado.



ADVERTENCIAS

Uso de la silla como una cuna reclinada

Uso de la silla como una cuna reclinada.

Utiliza siempre el sistema de retención.

NUNCA utilices la silla como cuna reclinada una vez tu hijo pueda sentarse sin ayuda.

NUNCA utilices la silla si falta cualquier parte o está rota.

NUNCA utilices otros accesorios o piezas de recambio que aquellos aprobados por el proveedor.

Es peligroso usar esta silla en una superficie elevada: p. ej. una mesa.

NUNCA dejes a tu hijo sin supervisión.

Esta silla no es adecuada para dormir en ella durante períodos prolongados.

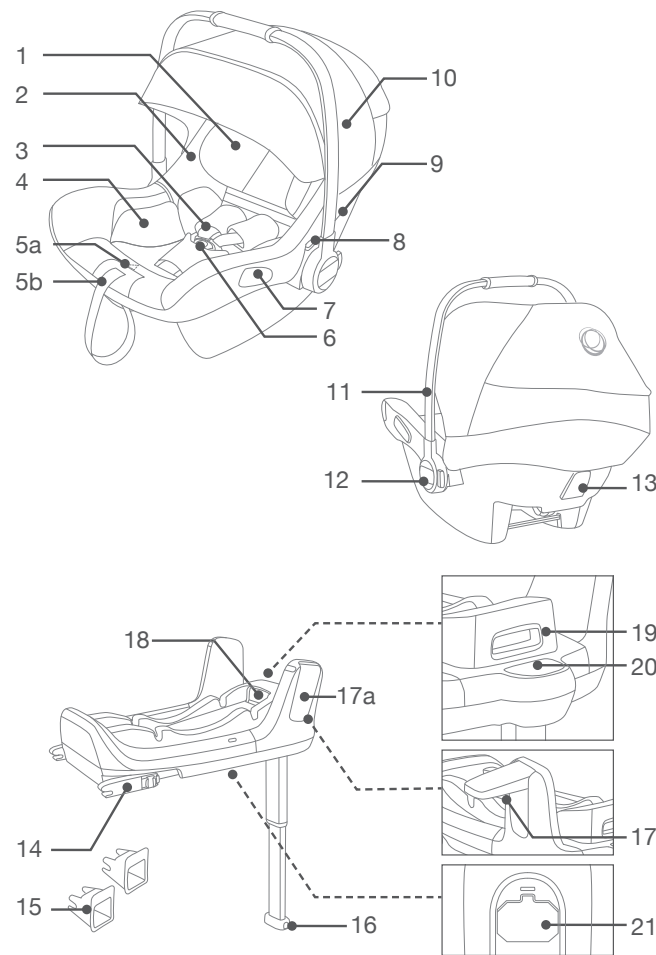
Esta silla no reemplaza una cuna o cama. Si tu hijo necesita dormir, entonces debes colocarlo en una cama o cuna adecuada.



Listado de piezas

Asegúrate que todas las piezas están disponibles antes del montaje. El módulo portabebés y la base se pueden vender por separado. Si falta cualquier pieza, por favor contacta con Bugaboo (consulta la página 122 para más información). No se necesitan herramientas para el montaje.

- | | |
|-----------------------------------|--|
| 1 Soporte de cabeza | 14 Conector ISOFIX |
| 2 Acolchado de la silla | 15 Guías ISOFIX |
| 3 Arnés de hombros | 16 Botón de ajuste de la pata de carga |
| 4 Reductor para bebés | 17a Alas de protección contra impactos laterales |
| 5a Botón de ajuste del arnés | 17b Botón de plegado del ala |
| 5b Cincha de ajuste | 18 Botón de ajuste ISOFIX |
| 6 Hebilla de seguridad | 19 Botón de liberación del módulo portabebés |
| 7 Guías laterales | 20 Indicador de la pata de carga |
| 8 Botón de liberación del carrito | 21 Compartimento para guardar el manual de instrucciones |
| 9 Soporte de capota | |
| 10 Capota | |
| 11 Asa | |
| 12 Botón del asa | |
| 13 Guía trasera | |



Uso del producto

Consideraciones sobre la instalación

Este módulo portabebés es adecuado para asientos de vehículo con puntos de anclaje i-Size en la base. (1)

NO instale este dispositivo de retención infantil en asientos de vehículo donde esté instalado un airbag frontal activo. Si lo haces, podrían producirse lesiones graves o, incluso, la muerte. (2) Consulta el manual de usuario del vehículo para obtener más información.

NO instales este sistema de retención infantil mejorado en asientos de vehículo que estén colocados hacia los laterales o hacia atrás con respecto a la dirección de conducción del vehículo. (3)

Se recomienda instalar este sistema de retención infantil en los asientos traseros del vehículo. (4)

NO instales este sistema de retención infantil mejorado en asientos de vehículo que se muevan durante la instalación.


Ajuste del asa


- 1 El asa del módulo portabebés se puede ajustar en 3 posiciones. (5)
Posición silla de bebé. (5) -1
Posición para colocar al bebé en la silla. (5) -2
Posición para el transporte en el vehículo, mano o en el carrito. (5) -3
- 2 Para ajustar el asa, presiona los botones del asa en ambos lados para liberarla. (6) -1

- 3 Gira el asa hasta que haga clic en cualquiera de las 3 posiciones. (6) -2

Instalación con la base

- 1 Despliega la pata de carga del compartimento de almacenaje. (7)
- 2 Fija las guías ISOFIX con los puntos de anclaje ISOFIX. (8) Las guías ISOFIX pueden proteger la tapicería del asiento del vehículo contra rasgaduras. Además, también pueden guiar los conectores ISOFIX.
- 3 Presiona el botón de ajuste del ISOFIX para configurar los conectores ISOFIX. (9)
- 4 Alinea los conectores ISOFIX con las guías ISOFIX, y luego haz clic con ambos conectores ISOFIX en los puntos de anclaje ISOFIX. (10)

 Asegúrate que ambos conectores ISOFIX están acoplados de forma segura a sus puntos de anclaje ISOFIX. Se deberían escuchar dos clics y los colores de los indicadores de ambos conectores ISOFIX deben ser verdes por completo. (10) -1

 Comprueba para asegurarte que la base está instalada de forma segura tirando de ambos conectores ISOFIX.

- 5 Tras colocar la base en la silla de coche, extiendela pata de carga hacia el suelo (11). Cuando el indicador de la pata esté en verde significa que se ha instalado correctamente, si está en rojo se ha instalado incorrectamente. (11) -2

- ⚠ La pata de carga tiene 19 posiciones. Cuando el indicador de la pata está en rojo significa que está colocada en la posición incorrecta.
 - ⚠ Asegúrate que la pata de carga está en completo contacto con el suelo del vehículo.
 - ⚠ Para acortar la pata de carga, presiona el el botón de desbloqueo de la pata y tira de ella hacia arriba. (11) -1
La base montada por completo se muestra como (12).
 - ⚠ Los conectores ISOFIX deben acoplarse y bloquearse en los puntos de anclaje ISOFIX. (12) -1
 - ⚠ La pata de carga debe instalarse de modo correcto con el indicador verde.(12) -2
- 6 Para quitar la base, presiona el botón de bloqueo secundario (13) -1 primero y luego el botón (13) -2 en los conectores latch antes de quitar la base del asiento del vehículo.
 - 7 Presiona el botón de ajuste del ISOFIX para plegarlo.
 - 8 Presiona el modulo del portabebés abajo, hacia la base (14), si el sistema de retención infantil mejorado es seguro, las alas de protección contra impactos laterales se abrirán y el indicador de retención infantil se mostrará en verde. (15) La ala de protección contra impactos laterales que está alejada de la puerta puede cerrarse como se muestra en la imagen (16) cuando no la uses.

- ⚠ Tira del módulo portabebés hacia arriba para asegurarte que está fijado de forma segura en la base.
- 9 Para quitar el módulo portabebés, tira del sistema de retención infantil mejorado mientras presionas el botón de liberación del módulo portabebés. (17)

Ajuste de la altura

para el soporte de cabeza y el arnés de hombros

Comprueba que las correas del arnés de hombros estén colocadas en la altura adecuada. Por favor, elige el par adecuado de ranuras del arnés de hombros, en función de la altura del niño.

- ⚠ Las correas del arnés de hombros deberán estar a una altura lo más cerca posible de los hombros de tu hijo (18), pero sin sobrepasar su línea de los hombros. (19)
- ⚠ Si las correas del arnés de hombros no están a una altura adecuada, el niño podría salir despedido del sistema de retención infantil mejorado en caso de accidente.

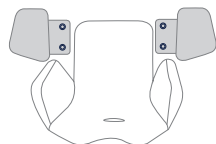
Presiona la palanca de ajuste del soporte de cabeza (20), al mismo tiempo que empujas hacia arriba o hacia abajo el soporte hasta que quede fijado en una de las 7 posiciones. Las posiciones del soporte de cabeza se indican en la imagen (21).

Asegurar al niño

Uso del reductor para bebés



Recomendamos utilizar el reductor para bebés completo mientras el bebé mida menos de 60 cm o hasta que lo sobrepase. El reductor para bebés aumenta la protección contra impactos laterales.



Retira las alas laterales del reductor para bebés cuando los hombros del niño ya no se ajusten cómodamente.

ES

Después de colocar al niño en el asiento, comprueba si las correas del arnés de hombros están en la altura adecuada.

- 1 Mientras presionas el botón de ajuste del arnés, tira por completo de las dos correas del arnés de hombros del sistema de retención infantil. (22)
 - 2 Abre la hebilla del arnés presionando el botón rojo. (23)
 - 3 Coloca el niño en el módulo portabebés y cierra la hebilla. (25) Por favor, consulta la imagen (24).
 - 4 Aprieta las correas del arnés de hombros tirando de la cincha de ajuste. (26)
- !** Asegúrate que el espacio entre el niño y las correas del arnés de hombros sea del grosor de una mano.

Capota

- 1 Despliega la visera de debajo la parte delantera de la capota. (27)
- 2 Extrae la visera inteligente extensible entre las dos capas de la misma. (28)
- 3 Acopla los imanes en cada esquina de la parte delantera de la silla de coche. (29)
- 4 La ventanita en la parte trasera puede abrirse para más ventilación. (30)
Para plegar la capota, primero volteas la visera debajo de la parte delantera de la capota y luego pliega la visera inteligente extensible por debajo.

Montar y desmontar las piezas blandas

ver las imágenes (31) - (40)

Para volver a montar las piezas blandas, invierte los pasos mencionados anteriormente.

Instalación sin la base

- 1 NO instales este módulo portabebés en asientos de vehículos con cinturones de seguridad de regazo. (41)
- 2 Este módulo de transporte infantil es adecuado solo para asientos de vehículo con un cinturón de seguridad retractor de 3 puntos (sin la base). (42)

ES

- 3 Coloca el módulo portabebés en el asiento del vehículo dónde quieras instalarlo. Tira del cinturón de seguridad del vehículo hacia fuera y abróchalo en la hebilla del vehículo, pasando el cinturón de regazo hacia las guías laterales del módulo portabebés. (43)
- ⚠ El módulo portabebés no puede usarse si la hebilla del cinturón de seguridad del vehículo (extremo de la hebilla hembra) es demasiado larga para acoplar el módulo portabebés de forma segura. (43) -1
- 4 Desliza el cinturón de seguridad diagonal hacia la guía trasera. (44)
- 5 Tira del cinturón de hombros del vehículo para abrochar el módulo portabebés con fuerza y seguridad. (45)
- 6 La línea del nivel del módulo portabebés debe estar nivelada con el suelo cuando el módulo esté instalado. (46)
- ⚠ Tensa el cinturón de seguridad del vehículo tanto como sea posible, comprobando que no esté flojo ni torcido.
- ⚠ Después de instalar el módulo portabebés, siempre comprueba que los cinturones de seguridad del vehículo estén colocados correctamente y seguramente abrochados en la hebilla del vehículo. (47)

Instalación en avión

- ⚠ Ten en cuenta que, la seguridad del niño al no cumplir con la instalación y/o el manual de instrucciones no está garantizada.
- ⚠ Ten en cuenta que, la instalación del módulo portabebés en una butaca de avión difiere de la instalación en una silla de coche.
- ⚠ Ten en cuenta que, el acople con el cinturón de regazo de 2 puntos está solo permitido en un avión.
- ⚠ Ten en cuenta que, el módulo portabebés debe quedarse abrochado a la butaca del avión incluso cuando no esté ocupado.
- ⚠ Ten en cuenta que, el módulo portabebés es solo para usar en una butaca de pasajero autorizada por la aerolínea.
- ⚠ Advertencias para no utilizar el módulo portabebés en la zona de despliegue del airbag. (2)
- ⚠ Ten en cuenta que, el módulo portabebés orientado hacia atrás debería instalarse solo en butacas de pasajeros orientadas hacia delante. (48)

Cómo instalar el módulo de portabebés usando el cinturón de seguridad de la butaca del avión:

- 1 Coloca el módulo portabebés en la butaca del pasajero, opuesto a la dirección del vuelo.
- 2 Asegúrate que el asa de transporte está en la posición más alta.

- 3 Coloca el cinturón de seguridad en ambas guías del cinturón.
 - 4 Cierra el cinturón de seguridad (consulta las instrucciones de seguridad de la aerolínea).
 - 5 Ajusta el cinturón de seguridad tirando del final del mismo. (49)
- ⚠** La hebilla del cinturón de seguridad no debe quedar, bajo ninguna circunstancia, dentro de las guías del cinturón verde oscuro. (50)

Desmontaje:

Abre el cinturón de seguridad de la butaca del pasajero (consulta las instrucciones de seguridad de la aerolínea). Ahora puedes coger el módulo portabebés de la butaca.

Instrucciones de limpieza y mantenimiento

Limpia la estructura, piezas de plástico y tejidos con un paño húmedo, pero no utilices productos abrasivos ni lejía. No uses lubricantes de silicona ya que atraen la suciedad y la porquería.

Para garantizar un uso duradero, limpia este producto con un paño suave y absorbente después de usarlo en un clima lluvioso.

Consulta las etiquetas de mantenimiento de las partes blandas para conocer las instrucciones de lavado y secado.

Es normal que el tejido se tiña de color con la luz del sol y muestre desgaste tras largos periodos de uso, incluso si es usado habitualmente.

Por motivos de seguridad, utiliza solo las piezas originales Bugaboo by Nuna.

Consulta regularmente si todo funciona correctamente. Si cualquier parte está rasgada, rota o falta, deja de usar este producto.

La información contenida aquí está sujeta a cambios sin previo aviso. Bugaboo International BV no se responsabiliza de los errores técnicos u omisiones aquí contenidas. El producto comprado puede diferir del producto como está descrito en esta guía del usuario. Puedes solicitar nuestras guías del usuario más recientes en nuestros departamentos de servicio al cliente o en www.bugaboo.com.

© 2019 Bugaboo International BV. BUGABOO, BUGABOO CAMELEON, BUGABOO BEE, BUGABOO DONKEY, BUGABOO FOX, BUGABOO TURTLE, BUGABOO ANT, BUGABOO LYNX, BUGABOO STARDUST y los logotipos de Bugaboo son marcas comerciales registradas. Los cochecitos de Bugaboo® están patentados y su diseño protegido.

© NUNA International B.V. Nuna y todos los logotipos asociados son marcas registradas.

ΣΗΜΑΝΤΙΚΟ! ΦΥΛΑΞΤΕ
ΑΥΤΕΣ ΤΙΣ ΟΔΗΓΙΕΣ ΓΙΑ
ΜΕΛΛΟΝΤΙΚΗ ΑΝΑΦΟΡΑ:
ΔΙΑΒΑΣΤΕ ΠΡΟΣΕΚΤΙΚΑ

Περιεχόμενα

Πληροφορίες προϊόντος	146
Καταχώριση προϊόντος	146
Εξυπηρέτηση πελατών	146
Απαιτήσεις για τη χρήση με παιδιά	147
Για χρήση με βάση	148
Προειδοποιήσεις	150
Λίστα εξαρτημάτων	156
Χρήση προϊόντος	158
Καθαρισμός και συντήρηση	166
English (EN)	2
Francais (FR)	24
Nederlands (NL)	48
Deutsch (DE)	72
Italiano (IT)	96
Espanol (ES)	120
Ελληνικά (EL)	144
Dansk (DA)	168
Suomi (FI)	192
Norsk (NO)	216

Πληροφορίες προϊόντος

Αριθμός μοντέλου: _____

Ημερομηνία κατασκευής: _____

Καταχώριση προϊόντος

Συμπληρώστε τις παραπάνω πληροφορίες. Ο αριθμός μοντέλου και η ημερομηνία κατασκευής αναγράφονται στο κάτω μέρος του Bugaboo Turtle Air by Nuna.

Για να καταχωρίσετε το προϊόν σας, επισκεφθείτε τη διεύθυνση: <https://service.bugaboo.com/ProductRegistrationForm>

Η Nuna ανέπτυξε και κατασκεύασε το προϊόν έτσι ώστε να ανταποκρίνεται στα υψηλά πρότυπα ποιότητας της Nuna και της Bugaboo. Όταν επικοινωνείτε με την Εξυπηρέτηση πελατών, να έχετε διαθέσιμη την απόδειξη αγοράς, τον αριθμό μοντέλου και την ημερομηνία κατασκευής. Τις κλήσεις σας για το Bugaboo Turtle Air by Nuna διαχειρίζεται η Εξυπηρέτηση πελατών της Bugaboo.

Για πληροφορίες σχετικά με την εγγύηση για το Bugaboo Turtle Air by Nuna, επισκεφθείτε τη διεύθυνση: www.bugaboo.com/warranty

Εξυπηρέτηση πελατών

Εάν έχετε κάποια ερώτηση, ίσως μπορέσετε να βρείτε την απάντηση στη διαδικτυακή τοποθεσία μας, www.bugaboo.com. Εάν χρειαστεί να επικοινωνήσετε με τη διεθνή ομάδα εξυπηρέτησής μας, θα είναι χαρά μας να σας εξυπηρετήσουμε! Είμαστε πάντα στη διάθεσή σας για τυχόν ερωτήσεις, ανησυχίες ή σχόλια που μπορεί να έχετε σχετικά με τα προϊόντα και τις υπηρεσίες μας. Μην διστάσετε να επικοινωνήσετε μαζί μας. Τα σχόλιά σας μας βοηθούν να βελτιώσουμε περαιτέρω τα προϊόντα και τις υπηρεσίες μας.

Επιλέξτε την προτιμώμενη μέθοδο επικοινωνίας:

Τηλέφωνο, +31-207189531 **E-mail**, service@bugaboo.com

Φόρμα επικοινωνίας μέσω bugaboo.com, www.bugaboo.com/support

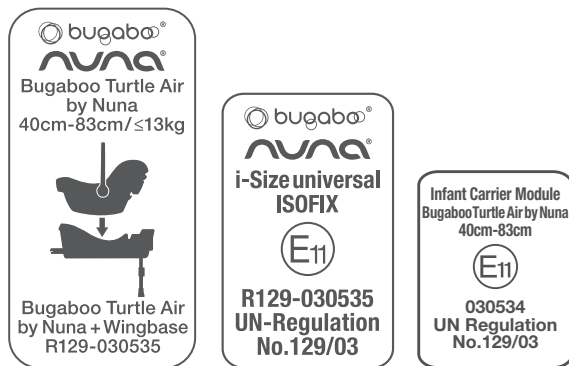
Twitter, @Bugaboo

Απαιτήσεις για τη χρήση με παιδιά

Το προϊόν αυτό είναι κατάλληλο για χρήση με παιδιά που πληρούν τις ακόλουθες απαιτήσεις:

Σχήμα για την εγκατάσταση	Κατάλληλο για
	Ύψος παιδιού 40εκ-83εκ/ Βάρος παιδιού ≤13kg (ηλικίας περίπου 15 μηνών ή μικρότερο)
	Ύψος παιδιού 40εκ-83εκ/ Βάρος παιδιού ≤13kg Ηλικία παιδιού ≤15μηνών

Για χρήση με βάση



- 1 Το i-Size (Ολοκληρωμένο γενικό ενισχυμένο σύστημα συγκράτησης παιδιών κατά ISOFIX) είναι μια κατηγορία Ενισχυμένου συστήματος συγκράτησης παιδιών, σχεδιασμένη κατά κύριο λόγο για χρήση σε όλες τις θέσεις καθίσματος i-Size ενός οχήματος.
- 2 Σύμφωνα με τον κανονισμό αριθ. 129 του ΟΗΕ, το Ενισχυμένο σύστημα συγκράτησης παιδιών με βάση είναι ένα Γενικό ενισχυμένο σύστημα συγκράτησης παιδιών κατά ISOFIX και πρέπει να τοποθετείται χρησιμοποιώντας τους συνδέσμους ISOFIX.
- 3 Το σύστημα αυτό είναι ένα Ενισχυμένο σύστημα συγκράτησης παιδιών i-Size. Έχει εγκριθεί σύμφωνα με τον κανονισμό αριθ. 129 του ΟΗΕ για χρήση σε θέσεις καθισμάτων οχημάτων συμβατών με το i-Size, όπως υποδεικνύουν οι κατασκευαστές οχημάτων στα εγχειρίδια χρήσης των οχημάτων.

- 4 Το σύστημα αυτό είναι ένα Γενικό ενισχυμένο σύστημα συγκράτησης παιδιών με ζώνη. Έχει εγκριθεί σύμφωνα με τον κανονισμό αριθ. 129 του ΟΗΕ για χρήση κατά κύριο λόγο σε Γενικές θέσεις καθισμάτων, όπως υποδεικνύουν οι κατασκευαστές οχημάτων στα εγχειρίδια χρήσης των οχημάτων.
- 5 Σε περίπτωση αμφιβολίας, συμβουλευτείτε είτε τον κατασκευαστή του Ενισχυμένου συστήματος συγκράτησης παιδιών, ή τον έμπορο λιανικής πώλησης.

ΠΡΟΕΙΔΟΠΟΙΗΣΗ

Η μη τήρηση αυτών των προειδοποιήσεων και οδηγιών μπορεί να οδηγήσει σε σοβαρό τραυματισμό ή θάνατο.

Οποιοσδήποτε ιμάντας που συγκρατεί τη μονάδα μεταφοράς του βρέφους στο όχημα θα πρέπει να είναι σφιχτός, οποιοδήποτε σκέλος φορτίου θα πρέπει να είναι σε επαφή με το δάπεδο του οχήματος, οι ιμάντες που συγκρατούν το παιδί θα πρέπει να προσαρμόζονται στο σώμα του παιδιού, και οι ιμάντες δεν πρέπει να είναι στριμμένοι.

Οποιοσδήποτε αποσκευές ή άλλα αντικείμενα που ενδέχεται να προκαλέσουν τραυματισμούς σε περίπτωση σύγκρουσης, πρέπει να ασφαλιζονται σωστά.

Βεβαιωθείτε ότι το Ενισχυμένο σύστημα συγκράτησης παιδιών είναι εγκατεστημένο με τέτοιο τρόπο ώστε κανένα μέρος του να μην παρεμποδίζει μετακινούμενα καθίσματα ή τη λειτουργία των θυρών του οχήματος.

Προτού μεταφέρετε τη μονάδα μεταφοράς βρέφους με το χέρι, βεβαιωθείτε ότι το παιδί έχει προσδεθεί με την παιδική ζώνη και ότι η λαβή έχει ασφαλιστεί σωστά σε κατακόρυφη θέση.

Συμβουλευτείτε τον διανομέα για θέματα σχετικά με τη συντήρηση, την επισκευή και την αντικατάσταση εξαρτημάτων.

Η σωστή εγκατάσταση διασφαλίζεται μόνο με χρήση των συνδέσμων ISOFIX.

Ελέγχετε συχνά τους οδηγούς ISOFIX για τυχόν βρομιές και καθαρίζετε, εάν είναι απαραίτητο. Η εισχώρηση βρομιάς, σκόνης, σωματιδίων τροφίμων κ.λπ. μπορεί να έχει επιπτώσεις στην αξιοπιστία του προϊόντος.

Προτού αγοράσετε αυτό το Ενισχυμένο σύστημα συγκράτησης παιδιών, βεβαιωθείτε ότι μπορεί να εγκατασταθεί σωστά στο όχημά σας.

Φυλάξτε αυτό το Ενισχυμένο σύστημα συγκράτησης παιδιών χωρίς υφασμάτινο κάλυμμα μακριά από το ηλιακό φως, επειδή μπορεί να είναι πολύ ζεστό για την επιδερμίδα του παιδιού. Πάντα να αγγίζετε το Ενισχυμένο σύστημα συγκράτησης παιδιών πριν τοποθετήσετε το παιδί μέσα σε αυτό.

Για να χρησιμοποιήσετε αυτό το Ενισχυμένο σύστημα συγκράτησης παιδιών με τους συνδέσμους ISOFIX σύμφωνα με τον κανονισμό αριθ. 129 του ΟΗΕ, το παιδί σας πρέπει να πληροί τις ακόλουθες απαιτήσεις.

Ύψος παιδιού 40εκ-83εκ/Βάρος παιδιού $\leq 13\text{kg}$ (ηλικίας περίπου 15 μηνών ή μικρότερο).

Για να χρησιμοποιήσετε αυτή τη μονάδα μεταφοράς του βρέφους με τη ζώνη του οχήματος, το παιδί σας πρέπει να πληροί τις ακόλουθες απαιτήσεις.

Ύψος παιδιού 40εκ-83εκ.

Βάρος παιδιού $\leq 13\text{kg}$ /Ηλικία παιδιού ≤ 15 μηνών.

Τα μαλακά μέρη του Ενισχυμένου συστήματος συγκράτησης παιδιών δεν πρέπει να αντικαθίστανται με διαφορετικά από αυτά που συνιστώνται από τον κατασκευαστή, επειδή αποτελούν αναπόσπαστο μέρος του συστήματος συγκράτησης και της απόδοσής του.

Για να αποφύγετε τον κίνδυνο πτώσης του παιδιού, να το ασφαλίσετε πάντα με την παιδική ζώνη όταν το τοποθετείτε στη μονάδα μεταφοράς βρέφους, ακόμη και όταν το Ενισχυμένο σύστημα συγκράτησης παιδιών δεν βρίσκεται στο όχημα.

Για να αποφύγετε σοβαρούς τραυματισμούς ή θάνατο, ΠΟΤΕ μην τοποθετείτε τη μονάδα μεταφοράς βρέφους σε υπερυψωμένο επιδαπέδιο κάθισμα με το παιδί μέσα σε αυτό.

Τα μέρη αυτού του Ενισχυμένου συστήματος συγκράτησης παιδιών δεν πρέπει να λιπαίνονται με κανέναν τρόπο.

Αφαιρέστε αυτή τη μονάδα μεταφοράς βρέφους και τη βάση από το κάθισμα του οχήματος όταν δεν χρησιμοποιείται τακτικά.

ΠΑΝΤΑ να ασφαλίσετε το παιδί στο Ενισχυμένο σύστημα συγκράτησης παιδιών, ακόμα και σε σύντομα ταξίδια, καθώς τότε συμβαίνουν τα περισσότερα ατυχήματα.

ΠΟΤΕ μην αφήνετε το παιδί σας χωρίς επίβλεψη με αυτό το Ενισχυμένο σύστημα συγκράτησης παιδιών.

ΠΟΤΕ μην χρησιμοποιείτε μεταχειρισμένο Ενισχυμένο σύστημα συγκράτησης παιδιών κάποιο Ενισχυμένο σύστημα συγκράτησης παιδιών του οποίου το ιστορικό δεν γνωρίζετε, καθώς μπορεί να έχει κάποια δομική βλάβη που θέτει σε κίνδυνο την ασφάλεια του παιδιού σας.

ΠΟΤΕ μην χρησιμοποιείτε σχοινιά ή άλλα υποκατάστατα για να ασφαλίσετε το Ενισχυμένο σύστημα συγκράτησης παιδιών στο όχημα ή για να ασφαλίσετε το παιδί στο Ενισχυμένο σύστημα συγκράτησης παιδιών.

Κανένα Ενισχυμένο σύστημα συγκράτησης παιδιών δεν μπορεί να εγγυηθεί πλήρη προστασία από τραυματισμό σε ένα ατύχημα. Ωστόσο, η σωστή χρήση αυτού του Ενισχυμένου συστήματος συγκράτησης παιδιών θα μειώσει τον κίνδυνο τραυματισμού ή θανάτου του παιδιού σας.

ΜΗΝ χρησιμοποιείτε το Ενισχυμένο σύστημα συγκράτησης παιδιών στραμμένο προς τα πίσω σε θέσεις καθισμάτων όπου υπάρχει εγκατεστημένος ενεργός εμπρός αερόσακος. Ενδέχεται να προκληθεί θάνατος ή σοβαρός τραυματισμός. Ανατρέξτε στο εγχειρίδιο του ιδιοκτήτη του οχήματος για περισσότερες πληροφορίες.

ΜΗΝ τοποθετείτε αντικείμενα στην περιοχή στηρίγματος των ποδιών μπροστά από τη βάση σας.

ΜΗΝ χρησιμοποιείτε σημεία επαφής που φέρουν φορτίο διαφορετικά από αυτά που περιγράφονται στις οδηγίες και σημειώνονται στο Ενισχυμένο σύστημα συγκράτησης παιδιών.

ΜΗΝ συνεχίζετε να χρησιμοποιείτε αυτό το Ενισχυμένο σύστημα συγκράτησης παιδιών εάν υποστεί σύγκρουση οποιουδήποτε είδους, ακόμα και μικρή. Αντικαταστήστε αμέσως, καθώς μπορεί να υπάρχουν αόρατες δομικές βλάβες από τη σύγκρουση.

ΜΗΝ εγκαταστήσετε αυτό το Ενισχυμένο σύστημα συγκράτησης παιδιών χωρίς να ακολουθήσετε τις οδηγίες αυτού του εγχειριδίου, διότι έτσι ενδέχεται να θέσετε το παιδί σας σε σοβαρό κίνδυνο τραυματισμού ή θανάτου.

ΜΗΝ εφαρμόζετε καμία τροποποίηση σε αυτό το Ενισχυμένο σύστημα συγκράτησης παιδιών και μην το χρησιμοποιείτε μαζί με εξαρτήματα από άλλους κατασκευαστές.

ΜΗΝ χρησιμοποιείτε το Ενισχυμένο σύστημα συγκράτησης παιδιών χωρίς τα μαλακά μέρη.

ΜΗΝ χρησιμοποιείτε αυτό το Ενισχυμένο σύστημα συγκράτησης παιδιών εάν έχει υποστεί βλάβη ή λείπουν εξαρτήματα.

ΜΗΝ ντύνετε το παιδί σας με μεγάλα/ υπερμεγέθη ρούχα, διότι αυτό μπορεί να εμποδίσει το παιδί σας να ασφαλιστεί σωστά και σταθερά με τους ιμάντες πρόσδεσης ώμου και τον ιμάντα του καβάλου μεταξύ των ποδιών.

ΜΗΝ αφήνετε αυτό το Ενισχυμένο σύστημα συγκράτησης παιδιών ή άλλα αντικείμενα χωρίς πρόσδεση ή ασφάλιση στο όχημά σας, επειδή ένα Ενισχυμένο σύστημα συγκράτησης παιδιών που δεν το έχετε ασφαλίσει μπορεί να πεταχτεί και να τραυματίσει τους επιβαίνοντες σε μια απότομη στροφή, ένα απότομο φρενάρισμα, ή μια σύγκρουση.

ΜΗΝ βάζετε τίποτα άλλο εκτός από τα συνιστώμενα εσωτερικά μαξιλαράκια σε αυτό το Ενισχυμένο σύστημα συγκράτησης παιδιών.

ΠΡΟΕΙΔΟΠΟΙΗΣΗ

Χρηση του καθισματος ως ανακλινομενου λικνου

Χρήση του καθίσματος ως ανακλινόμενου λίκνου.

Χρησιμοποιείτε πάντα το σύστημα συγκράτησης.

ΜΗΝ χρησιμοποιείτε το κάθισμα ως ανακλινόμενο λίκνο όταν το παιδί σας μπορεί να κάθεται χωρίς βοήθεια.

ΜΗΝ χρησιμοποιείτε το κάθισμα αν οποιαδήποτε εξαρτήματα έχουν χαλάσει ή λείπουν.

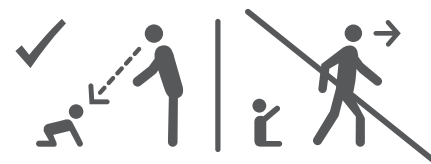
ΜΗΝ χρησιμοποιείτε αξεσουάρ ή ανταλλακτικά διαφορετικά από αυτά που έχουν εγκριθεί από τον κατασκευαστή.

Είναι επικίνδυνο να χρησιμοποιήσετε αυτό το κάθισμα σε μια ανυψωμένη επιφάνεια, π.χ. ένα τραπέζι.

Μην αφήνετε ΠΟΤΕ το παιδί χωρίς επίβλεψη.

Αυτό το κάθισμα δεν προορίζεται για παρατεταμένες περιόδους ύπνου.

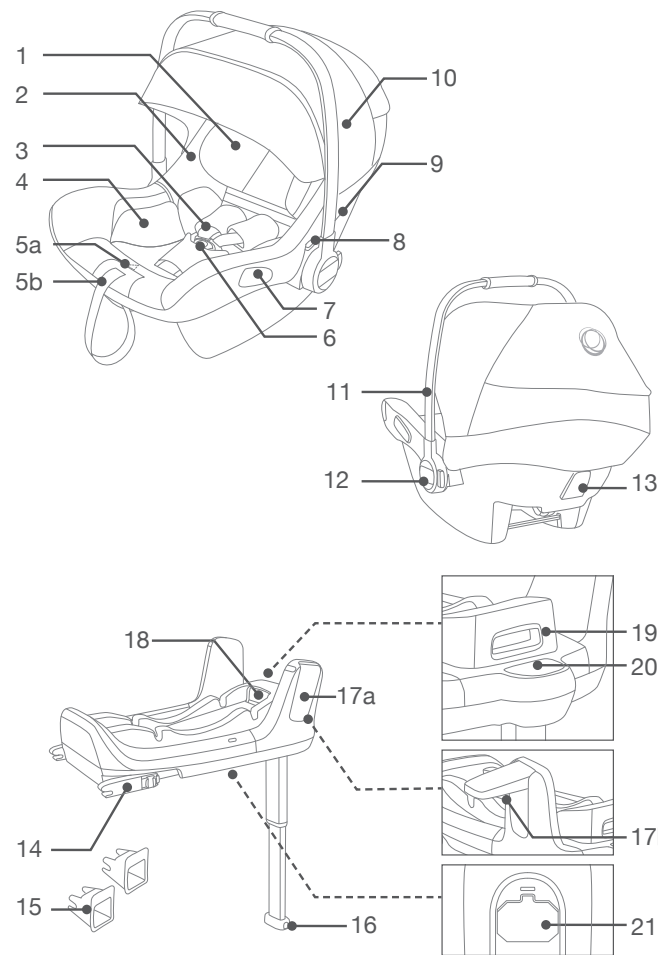
Αυτό το κάθισμα δεν αντικαθιστά την κούνια ή το κρεβάτι. Εάν το παιδί πρέπει να κοιμηθεί, τότε πρέπει να το βάλετε σε κατάλληλη κούνια ή κρεβατάκι.



Λίστα εξαρτημάτων

Βεβαιωθείτε ότι όλα τα εξαρτήματα είναι διαθέσιμα πριν από τη συναρμολόγηση. Η μονάδα μεταφοράς του βρέφους και η βάση μπορούν να πωληθούν ξεχωριστά. Αν κάποιο εξάρτημα λείπει, επικοινωνήστε με την Bugaboo (για περισσότερες πληροφορίες, ανατρέξτε στη σελίδα 146). Δεν χρειάζονται εργαλεία για τη συναρμολόγηση.

- | | | | |
|----|-------------------------------|-----|--|
| 1 | Στήριγμα κεφαλής | 13 | Οπίσθιος οδηγός |
| 2 | Μαξιλάρι καθίσματος | 14 | Σύνδεσμος ISOFIX |
| 3 | Ιμάντες πρόσδεσης ώμου | 15 | Οδηγοί ISOFIX |
| 4 | Ειδικό ένθετο για βρέφη | 16 | Κουμπί ρύθμισης στηρίγματος ποδιών |
| 5a | Κουμπί ρύθμισης ιμάντων | 17a | Πλευρικά πτερύγια προστασίας από πρόσκρουση |
| 5b | Ταινία ρύθμισης | 17b | Κουμπί οπίσθιας αναδίπλωσης πτερυγίων |
| 6 | Κούμπωμα ασφαλείας | 18 | Κουμπί ρύθμισης ISOFIX |
| 7 | Πλευρικοί οδηγοί | 19 | Κουμπί απελευθέρωσης μονάδας μεταφοράς βρέφους |
| 8 | Κουμπί απελευθέρωσης καρτσιού | 20 | Ένδειξη στηρίγματος ποδιών |
| 9 | Στερέωση κουκούλας | 21 | Τμήμα αποθήκευσης εγχειριδίου χρήσης |
| 10 | Κουκούλα | | |
| 11 | Λαβή | | |
| 12 | Κουμπί λαβής | | |



Χρήση προϊόντος

Ζητήματα σχετικά με την εγκατάσταση

Αυτή η μονάδα μεταφοράς βρέφους είναι κατάλληλη για καθίσματα οχημάτων με σημεία αγκύρωσης i-Size ISOFIX με τη βάση. (1)

MHN χρησιμοποιείτε το Ενισχυμένο σύστημα συγκράτησης παιδιών στραμμένο προς τα πίσω σε θέσεις καθισμάτων όπου υπάρχει εγκατεστημένος ενεργός εμπρός/πίσω αερόσακος. Ενδέχεται να προκληθεί θάνατος ή σοβαρός τραυματισμός. (2) Ανατρέξτε στο εγχειρίδιο του ιδιοκτήτη του οχήματος για περισσότερες πληροφορίες.

MHN τοποθετείτε αυτό το Ενισχυμένο σύστημα συγκράτησης παιδιών σε καθίσματα οχήματος στραμμένα προς τα πλάγια ή προς τα πίσω σε σχέση με την κατεύθυνση κίνησης του οχήματος. (3)

Συνιστάται να τοποθετείτε αυτό το Ενισχυμένο σύστημα συγκράτησης παιδιών στο πίσω κάθισμα του οχήματος. (4)



MHN τοποθετείτε αυτό το Ενισχυμένο σύστημα συγκράτησης παιδιών σε καθίσματα οχήματος που μπορούν να μετακινηθούν κατά την εγκατάσταση.

Ρύθμιση λαβής

- 1 Η λαβή της μονάδας μεταφοράς βρέφους μπορεί να ρυθμιστεί σε 3 θέσεις. (5) Θέση παιδικού καθίσματος. (5) -1
Θέση για την τοποθέτηση του μωρού στο κάθισμα. (5) -2
Θέση για μεταφορά με το αυτοκίνητο, με το χέρι ή με το καρότσι. (5) -3

- 2 Για να ρυθμίσετε τη λαβή, πιέστε τα κουμπιά λαβής και στις δύο πλευρές για να την απελευθερώσετε. (6)-1
- 3 Περιστρέψτε τη λαβή μέχρι να ασφαλίσει σε οποιαδήποτε από τις 3 θέσεις. (6)-2

Εγκατάσταση με βάση

- 1 Αναπτύξτε το στήριγμα ποδιών από το τμήμα αποθήκευσης. (7)
 - 2 Προσαρμόστε τους οδηγούς ISOFIX με τα σημεία αγκύρωσης ISOFIX. (8) Οι οδηγοί ISOFIX μπορούν να προστατεύσουν την επιφάνεια του καθίσματος του οχήματος από σχίσιμο. Μπορούν επίσης να καθοδηγούν τους συνδέσμους ISOFIX.
 - 3 Πατήστε το κουμπί ρύθμισης ISOFIX για να ρυθμίσετε τους συνδέσμους ISOFIX. (9)
 - 4 Ευθυγραμμίστε τους συνδέσμους ISOFIX με τους οδηγούς ISOFIX και, στη συνέχεια, ασφαλίστε τους δύο συνδέσμους ISOFIX στα σημεία αγκύρωσης ISOFIX. (10)
-  Βεβαιωθείτε ότι και οι δύο σύνδεσμοι ISOFIX είναι σταθερά στερεωμένοι στα σημεία αγκύρωσης ISOFIX. Θα πρέπει να ακουστούν δύο κλικ και το χρώμα των ενδείξεων και στους δύο συνδέσμους ISOFIX θα πρέπει να είναι εντελώς πράσινο. (10)-1
-  Ελέγξτε για να βεβαιωθείτε ότι η βάση έχει τοποθετηθεί με ασφάλεια τραβώντας και τους δύο συνδέσμους ISOFIX.
- 5 Αφού τοποθετήσετε τη βάση στο κάθισμα του οχήματος, επεκτείνετε το στήριγμα ποδιών στο

δάπεδο (11). Όταν η ένδειξη του στηρίγματος ποδιών δείχνει πράσινο σημαίνει ότι έχει εγκατασταθεί σωστά. Το κόκκινο χρώμα σημαίνει ότι έχει τοποθετηθεί εσφαλμένα. (11)-2

- ⚠ Το στήριγμα ποδιών έχει 19 θέσεις. Όταν η ένδειξη του στηρίγματος ποδιών δείχνει κόκκινο, αυτό σημαίνει ότι το στήριγμα ποδιών είναι σε λάθος θέση.
 - ⚠ Βεβαιωθείτε ότι το στήριγμα ποδιών βρίσκεται σε πλήρη επαφή με το δάπεδο του οχήματος.
 - ⚠ Για να μικρύνετε το στήριγμα ποδιών, πιέστε το κουμπί απελευθέρωσης του στηρίγματος ποδιών και τραβήξτε το στήριγμα ποδιών προς τα πάνω. (11)-1 Η πλήρως συναρμολογημένη βάση εμφανίζεται ως (12).
 - ⚠ Οι σύνδεσμοι ISOFIX πρέπει να συνδεθούν και να ασφαλιστούν στα σημεία αγκύρωσης ISOFIX. (12)-1
 - ⚠ Το στήριγμα ποδιών πρέπει να είναι σωστά τοποθετημένο, με πράσινη ένδειξη. (12)-2
- 6 Για να αφαιρέσετε τη βάση, πιέστε πρώτα το κουμπί δευτερευόντος κλειδώματος (13)-1 και στη συνέχεια το κουμπί (13) -2 στους συνδέσμους ασφάλισης πριν αφαιρέσετε τη βάση από το κάθισμα του οχήματος.
 - 7 Πατήστε το κουμπί ρύθμισης ISOFIX για να κλείσετε το ISOFIX.
 - 8 Σπρώξτε τη μονάδα μεταφοράς βρέφους στη βάση (14) εάν το Ενισχυμένο σύστημα συγκράτησης παιδιών είναι ασφαλές, τα πλευρικά πτερύγια προστασίας από πρόσκρουση είναι ανοιχτά και η ένδειξη του Ενισχυμένου συστήματος συγκράτησης παιδιών δείχνει πράσινο. (15) Το πλευρικό πτερύγιο προστασίας από

πρόσκρουση που βρίσκεται μακριά από την πόρτα μπορεί να κλείσει όπως φαίνεται στο (16) όταν δεν το χρησιμοποιείτε.

- ⚠ Τραβήξτε προς τα πάνω τη μονάδα μεταφοράς βρέφους για να βεβαιωθείτε ότι είναι ασφαλισμένη στη βάση.
- 9 Για να αφαιρέσετε τη μονάδα μεταφοράς βρέφους, τραβήξτε το Ενισχυμένο σύστημα συγκράτησης παιδιών προς τα πάνω ενώ πιέζετε το κουμπί απελευθέρωσης της μονάδας μεταφοράς βρέφους. (17)

Ρύθμιση ύψους

για στήριγμα κεφαλής και ιμάντες πρόσδεσης ώμου

Βεβαιωθείτε ότι οι ιμάντες πρόσδεσης ώμου έχουν ρυθμιστεί στο σωστό ύψος. Επιλέξτε το σωστό ζεύγος υποδοχών για τους ιμάντες πρόσδεσης ώμου ανάλογα με το ύψος του παιδιού.

- ⚠ Οι ιμάντες πρόσδεσης ώμου πρέπει να είναι όσο το δυνατόν πλησιέστερα στους ώμους του παιδιού σας (18), αλλά όχι πάνω από τη γραμμή των ώμων. (19)
- ⚠ Εάν οι ιμάντες πρόσδεσης ώμου δεν είναι στο σωστό ύψος, το παιδί μπορεί να εκτοξευθεί από το Ενισχυμένο σύστημα συγκράτησης παιδιών σε περίπτωση σύγκρουσης.

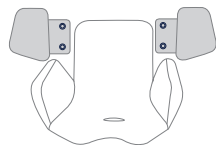
Τραβήξτε το μοχλό ρύθμισης του στηρίγματος κεφαλής (20), ενώ παράλληλα τραβάτε προς τα πάνω ή σπρώχνετε προς τα κάτω το στήριγμα κεφαλής μέχρι να ασφαλίσει σε μία από τις 7 θέσεις. Οι θέσεις στηρίγματος κεφαλής εμφανίζονται ως (21).

Ασφαλίζοντας το παιδί

Χρήση του ειδικού ένθετου για βρέφη



Συνιστούμε να χρησιμοποιείτε το ειδικό ένθετο για βρέφη για όσο χρονικό διάστημα το ύψος του μωρού σας είναι κάτω από 60 εκ. ή μέχρι το ύψος του να ξεπεράσει το ένθετο. Το ειδικό ένθετο για βρέφη αυξάνει την πλευρική προστασία από πρόσκρουση.



Αφαιρέστε το ειδικό ένθετο για βρέφη, όταν οι ώμοι του βρέφους δεν βρίσκονται πλέον σε άνετη θέση.

Αφού τοποθετήσετε το παιδί στο κάθισμα, ελέγξτε αν οι ιμάντες πρόσδεσης ώμου βρίσκονται στο σωστό ύψος.

- 1 Πατώντας το κουμπί ρύθμισης των ιμάντων πρόσδεσης, τραβήξτε τελείως τους δύο ιμάντες πρόσδεσης ώμου του Ενισχυμένου συστήματος συγκράτησης παιδιών. (22)
- 2 Ξεκλειδώστε το μηχανισμό ασφάλισης των ιμάντων πρόσδεσης, πιέζοντας το κόκκινο κουμπί. (23)
- 3 Τοποθετήστε το παιδί στη μονάδα μεταφοράς βρέφους και κλειδώστε τον μηχανισμό ασφάλισης. (25) Ανατρέξτε στο (24).
- 4 Σφίξτε τους ιμάντες πρόσδεσης ώμου τραβώντας την ταινία ρύθμισης. (26)

! Βεβαιωθείτε ότι ο χώρος μεταξύ του παιδιού και των ιμάντων πρόσδεσης ώμου αντιστοιχεί περίπου στο πάχος ενός χεριού.

Κουκούλα



- 1 Γυρίστε το προστατευτικό προσώπου από κάτω από το μπροστινό τόξο της κουκούλας. (27)
- 2 Τραβήξτε προς τα έξω το εκτεινόμενο έξυπνο προστατευτικό προσώπου από τον χώρο μεταξύ των δύο στρώσεων του προστατευτικού προσώπου. (28)
- 3 Συνδέστε τους μαγνήτες σε κάθε γωνία στο μπροστινό μέρος του καθίσματος αυτοκινήτου. (29)
- 4 Το Peek-a-boo στο πίσω μέρος μπορεί να ανοίξει για αερισμό. (30)
Για να διπλώσετε πίσω την κουκούλα, γυρίστε πρώτα ξανά το προστατευτικό προσώπου κάτω από το μπροστινό τόξο της κουκούλας και μετά αναδιπλώστε το εκτεινόμενο έξυπνο προστατευτικό προσώπου από κάτω.

Αποσύνδεση και συναρμολόγηση μαλακών μερών


βλέπε εικόνες (31) - (40)

Για να επανασυναρμολογήσετε τα μαλακά μέρη, ακολουθήστε τα παραπάνω βήματα με την αντίστροφη σειρά.








Εγκατάσταση χωρίς βάση

- 1 ΜΗΝ εγκαταστήσετε αυτή τη μονάδα μεταφοράς βρέφους σε καθίσματα αυτοκινήτου με ζώνες υπογαστρίου. (41)
 - 2 Αυτή η μονάδα μεταφοράς βρέφους είναι κατάλληλη μόνο για καθίσματα οχήματος με ζώνη ασφαλείας με συσπειρωτήρα 3 σημείων (χωρίς βάση). (42)
 - 3 Τοποθετήστε τη μονάδα μεταφοράς βρέφους στο κάθισμα οχήματος όπου θέλετε να το βάλετε. Τραβήξτε τη ζώνη ασφαλείας του οχήματος προς τα έξω και ασφαλίστε την στο μηχανισμό ασφάλισης του οχήματος, σύροντας τη ζώνη υπογαστρίου του οχήματος στους πλευρικούς οδηγούς της μονάδας μεταφοράς βρέφους. (43)
-  Η μονάδα μεταφοράς βρέφους δεν μπορεί να χρησιμοποιηθεί αν ο μηχανισμός ασφάλισης της ζώνης ασφαλείας του οχήματος (θηλυκό άκρο του μηχανισμού ασφάλισης) είναι πολύ μεγάλος για να στερεώσει με ασφάλεια τη μονάδα μεταφοράς βρέφους. (43) -1
- 4 Σύρετε τη διαγώνια ζώνη στον πίσω οδηγό. (44)
 - 5 Τραβήξτε τη ζώνη ώμου του οχήματος για να στερεώσετε σφιχτά και με ασφάλεια τη μονάδα μεταφοράς βρέφους. (45)
 - 6 Το ύψος στη μονάδα μεταφοράς βρέφους πρέπει να είναι επίπεδο ως προς το δάπεδο όταν εγκαθίσταται η μονάδα μεταφοράς βρέφους. (46)
-  Τεντώστε τη ζώνη ασφαλείας του οχήματος όσο το

δυνατόν περισσότερο, ελέγχοντας για να βεβαιωθείτε ότι δεν είναι χαλαρή ή στριμμένη.

-  Μετά την εγκατάσταση της μονάδας μεταφοράς βρέφους, πάντα να ελέγχετε ότι οι ζώνες του οχήματος έχουν σωστή κατεύθυνση και ότι έχουν στερεωθεί με ασφάλεια στο μηχανισμό ασφάλισης του οχήματος. (47)

Εγκατάσταση σε αεροπλάνο

-  Σημειώστε ότι δεν διασφαλίζεται η ασφάλεια του παιδιού σε περίπτωση μη συμμόρφωσης με το εγχειρίδιο εγκατάστασης και οδηγιών.
-  Σημειώνεται ότι η εγκατάσταση της μονάδας μεταφοράς βρέφους σε κάθισμα αεροσκάφους διαφέρει από την εγκατάσταση σε ένα κάθισμα αυτοκινήτου.
-  Σημειώνεται ότι το εξάρτημα Ζώνη υπογαστρίου 2 σημείων επιτρέπεται μόνο σε αεροσκάφη.
-  Σημειώνεται ότι η μονάδα μεταφοράς βρέφους πρέπει να παραμείνει δεμένη με τη ζώνη στο κάθισμα του αεροσκάφους, ακόμη και όταν δεν είναι κατειλημμένη.
-  Σημειώνεται ότι η μονάδα μεταφοράς βρέφους προορίζεται μόνο για χρήση σε κάθισμα επιβατών που έχει εξουσιοδοτηθεί από την αεροπορική εταιρεία.
-  Προειδοποιήσεις για μη χρήση της μονάδας μεταφοράς βρέφους στον χώρο ενεργοποίησης του αερόσακου. (2)
-  Σημειώστε ότι η μονάδα μεταφοράς βρέφους με μέτωπο προς τα πίσω πρέπει να τοποθετείται μόνο σε καθίσματα επιβατών στραμμένα προς τα εμπρός. (48)

Πώς να τοποθετήσετε τη μονάδα μεταφοράς βρέφους χρησιμοποιώντας τη ζώνη ασφαλείας του καθίσματος του αεροσκάφους:

- 1 Τοποθετήστε τη μονάδα μεταφοράς βρέφους αντίθετα από την κατεύθυνση πτήσης στο κάθισμα επιβάτη.
- 2 Βεβαιωθείτε ότι η λαβή μεταφοράς βρίσκεται στην ανώτατη δυνατή θέση.
- 3 Τοποθετήστε τη ζώνη ασφαλείας και στους δύο οδηγούς ζώνης.
- 4 Κλείστε τη ζώνη ασφαλείας (ανατρέξτε στις οδηγίες ασφαλείας της αεροπορικής εταιρείας).
- 5 Σφίξτε τη ζώνη ασφαλείας τραβώντας το άκρο της ζώνης. (49)

! Ο μηχανισμός ασφαλείας της ζώνης ασφαλείας δεν πρέπει σε καμία περίπτωση να βρίσκεται μέσα στους πράσινους οδηγούς ζώνης. (50)

Αφαίρεση:

Ανοίξτε τη ζώνη ασφαλείας του καθίσματος επιβάτη (ανατρέξτε στις οδηγίες ασφαλείας της αεροπορικής εταιρείας). Τώρα μπορείτε να αφαιρέσετε τη μονάδα μεταφοράς βρέφους από το κάθισμα επιβάτη.

Καθαρισμός και συντήρηση

Καθαρίστε το πλαίσιο, τα πλαστικά μέρη και το ύφασμα με ένα υγρό πανί, αλλά μην χρησιμοποιείτε λειαντικά ή λευκαντικά. Μην χρησιμοποιείτε λιπαντικά πυριτίου, καθώς θα προσελκύσουν βρομιά και ακαθαρσίες.

Για να εξασφαλίσετε τη μακροχρόνια χρήση, σκουπίστε το προϊόν με ένα μαλακό, απορροφητικό πανί αφού το χρησιμοποιήσετε σε βροχερό καιρό.

Ανατρέξτε στις ετικέτες φροντίδας που συνοδεύουν τα μαλακά μέρη, για οδηγίες ως προς το πλύσιμο και το στέγνωμα.

Είναι φυσικό το φως του ήλιου να επηρεάζει το χρώμα του υφάσματος και το ύφασμα να παρουσιάζει φθορά μετά από μακρά περίοδο χρήσης, ακόμα και όταν χρησιμοποιείται υπό φυσιολογικές συνθήκες χρήσης.

Για λόγους ασφάλειας, χρησιμοποιείτε μόνο γνήσια ανταλλακτικά Bugaboo by Nuna.

Ελέγχετε τακτικά εάν όλα λειτουργούν σωστά. Εάν οποιαδήποτε εξαρτήματα έχουν σχιστεί ή χαλάσει ή λείπουν, σταματήστε να χρησιμοποιείτε αυτό το προϊόν.

Οι πληροφορίες που περιέχονται στο παρόν μπορεί να αλλάξουν χωρίς προειδοποίηση. Η Bugaboo International BV δεν φέρει καμία ευθύνη για τεχνικά λάθη ή παραλείψεις που περιέχονται στο παρόν. Το προϊόν που αγοράσατε μπορεί να διαφέρει από το προϊόν όπως περιγράφεται σε αυτό το εγχειρίδιο χρήσης. Μπορείτε να ζητήσετε τα περισσότερα εγχειρίδια χρήσης μας στα τμήματα εξυπηρέτησής μας ή στη διεύθυνση www.bugaboo.com. © 2019 Bugaboo International BV. BUGABOO, BUGABOO CAMELEON, BUGABOO BEE, BUGABOO DONKEY, BUGABOO FOX, BUGABOO TURTLE, BUGABOO ANT, BUGABOO LYNX, BUGABOO STARDUST και τα λογότυπα Bugaboo είναι κατοχυρωμένα εμπορικά σήματα. Τα καρτόνια Bugaboo έχουν κατοχυρωθεί με δίπλωμα ευρεσιτεχνίας και τα σχέδιά τους προστατεύονται. © NUNA International BV Το Nuna και όλα τα σχετιζόμενα λογότυπα είναι εμπορικά σήματα.

VIGTIGT!
OPBEVAR DISSE
INSTRUKTIONER TIL
FREMTIDIG BRUG:
LÆS OMHYGGELIGT

DA

Indhold

Produktoplysninger	170
Produktregistrering	170
Kundeservice	170
Krav til brug til barnet	171
Til brug med base	172
Advarsler	174
Reservedelsliste	180
Brug af produktet	182
Rengøring og vedligeholdelse	190

English (EN)	2
Francais (FR)	24
Nederlands (NL)	48
Deutsch (DE)	72
Italiano (IT)	96
Espanol (ES)	120
Ελληνικά (EL)	144
Dansk (DA)	168
Suomi (FI)	192
Norsk (NO)	216

DA

Produktoplysninger

Modelnummer: _____

Fremstillet den (dato): _____

Produktregistrering

Udfyld ovenstående oplysninger. Modelnummeret og fremstillingsdatoen er placeret på bunden af Bugaboo Turtle Air by Nuna.

For at registrere produktet kan du besøge:
<https://service.bugaboo.com/ProductRegistrationForm>

Nuna har bevidst udviklet og produceret dette produkt for at opfylde de høje kvalitetsstandarder hos Nuna og Bugaboo. Sørg for, at købsbeviset, modelnummeret og fremstillingsdatoen er tilgængelige ved henvendelse om service. Bugaboo vil modtage dit opkald om Bugaboo Turtle Air by Nuna.

For oplysninger om garanti på denne Bugaboo Turtle Air by Nuna, kan du besøge: www.bugaboo.com/warranty

Kundeservice

Hvis du har et spørgsmål, kan du muligvis finde svaret på vores websted www.bugaboo.com. Hvis du har brug for at kontakte vores internationale serviceteam, vil vi meget gerne høre fra dig! Vi står klar til at besvare eventuelle spørgsmål, bekymringer eller kommentarer, du måtte have vedrørende vores produkter og tjenesteydelser. Tøv ikke med at kontakte os. Din feedback hjælper os til yderligere at forbedre vores produkter og tjenesteydelser.

Vælg din foretrukne kontaktmetode:

Via telefon, +46-856642742

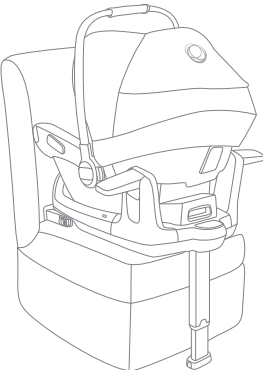
Via e-mail, service.nordics@bugaboo.com

Kontaktformular via bugaboo.com, www.bugaboo.com/support

Twitter, @Bugaboo

Krav til brug til barnet

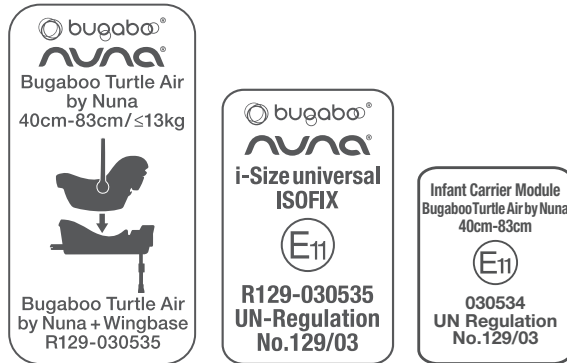
Dette produkt er velegnet til brug med børn, der opfylder følgende krav:

Figur til installation	Velegnet til
	Barnets højde 40cm-83cm/ barnets vægt ≤13kg (ca. 15 måneder gammel eller under)
	Child height 40cm-83cm Child weight ≤13kg Child age ≤15 months

DA

DA

Til brug med base



- 1 i-Size (ISOFIX-forbedrede barnefastholdelsesordninger med integreret sele i kategorien Universel) er en kategori af fastholdelsesordninger primært designet til brug på alle i-Size-siddepladser i et køretøj.
- 2 Ifølge FN-forordningen nr. 129 er den forbedrede barnefastholdelsesordning med base en universel ISOFIX forbedret barnefastholdelsesordning og skal monteres ved hjælp af ISOFIX-stikkene.

DA

- 3 Dette er en i-Size -forbedret barnefastholdelsesordning . Den er godkendt i henhold til FN -forordning nr. 129 til brug på i-Size-kompatible siddepladser i et køretøj som angivet af køretøjsproducenter i køretøjets instruktionsbog.
- 4 Dette er en universel forbedret barnefastholdelsesordning med sele. Den er godkendt ifølge FN -forordningen nr. 129 til brug primært på universelle siddepladser som angivet af køretøjsproducenter i køretøjets instruktionsbog.
- 5 Hvis du er i tvivl, skal du kontakte enten producenten af den forbedrede barnefastholdelsesordning eller forhandleren.

DA

ADVARSEL

Manglende overholdelse af disse advarsler og instruktioner kan resultere i alvorlig personskade eller død.

Alle stropper, der holder det transportable spædbarnsbæreren til køretøjet, skal være stramme, så eventuelle lasteben kan være i kontakt med køretøjets guld, at eventuelle stropper, der fastholder barnet, skal tilpasses barnets krop, og at stropperne ikke bliver snoet.

Bagage eller andre genstande, der kan forårsage kvæstelser i tilfælde af en kollision, skal være forsvarligt fastgjort.

Sørg for, at den forbedrede barnefastholdelsesanordning er monteret på en sådan måde, at ingen del af den griber ind i bevægelige sæder eller i betjeningen af køretøjets døre.

Før du bærer spædbarnsbæreren i hånden, skal du sikre dig, at barnet er fastgjort med barneselen, og at håndtaget er låst korrekt fast i lodret stilling.

Kontakt forhandleren for spørgsmål vedrørende vedligeholdelse, reparation og udskiftning af dele.

Korrekt montering er kun tilladt ved brug af ISOFIX-stik.

Kontroller jævnligt ISOFIX-styrene for snavs og rengør dem, hvis det er nødvendigt. Pålidelighed kan påvirkes ved indtrængen af snavs, støv, madrester osv.

Kontroller, inden du køber denne forbedrede barnefastholdelsesanordning for at sikre, at den kan monteres korrekt i dit køretøj.

Opbevar denne barnefastholdelsesanordning uden tekstilafdækning og væk fra sollys, da det kan være for varmt for barnets hud. Berør altid den forbedrede barnefastholdelsesanordning, før du anbringer barnet i den.

For at bruge denne forbedrede barnefastholdelsesanordning med ISOFIX-stikkene i henhold til FN-forordning nr. 129, skal dit barn opfylde følgende krav.

Barnets højde 40cm-83cm/barnets vægt ≤ 13 kg (ca. 15 måneder gammel eller under).

For at bruge dette forbedrede spædbarnsbæreren med køretøjets sikkerhedssele, skal dit barn opfylde følgende krav.

Barnets højde 40cm-83cm.

Barnets vægt ≤ 13 kg/barnets alder ≤ 15 måneder.

Det bløde betræk på den forbedrede barnefastholdelsesanordning bør ikke udskiftes med andet end dem, der anbefales af producenten, fordi betrækket udgør en integreret del af fastholdelsesydeevnen.

For at undgå risikoen for at falde ud, skal du altid sikre barnet ved hjælp af børneselen, når barnet er anbragt i et transportabelt spædbarnsbæreren, selv når den forbedrede barnefastholdelsesanordning ikke er i køretøjet.

For at undgå alvorlig tilskadekomst eller død, må du ALDRIG placere spædbarnsbæreren på et sæde med hævet overflade og med barnet i den.

Delene på denne forbedrede barnefastholdelsesanordning må ikke smøres på nogen måde.

Fjern dette spædbarnsbæreren og base fra køretøjets sæde, når det ikke bruges regelmæssigt.

Fastgør ALTID barnet i en forbedret fastgørelsesanordning, selv på korte ture, da det er der, de fleste ulykker opstår.

Efterlad ALDRIG dit barn uden opsyn med denne forbedrede barnefastholdelsesanordning.

Anvend ALDRIG en brugt forbedret barnefastholdelsesanordning eller en forstærket barnefastholdelsesanordning, hvis historie du ikke kender, fordi den kan have strukturel skade, der er til fare for dit barns sikkerhed.

Brug ALDRIG reb eller andre erstatninger for at sikre en forbedret barnefastholdelsesanordning i et køretøj eller til at fastgøre barnet i en forbedret barnefastholdelsesanordning.

INGEN forbedret barnefastgørelsesanordning kan garantere fuld beskyttelse mod personskade i en ulykke. Korrekt brug af denne forbedrede barnefastholdelsesanordning vil dog reducere risikoen for alvorlig tilskadekomst eller død for dit barn.

Anvend IKKE de bagudvendte forbedrede barnefastholdelsesanordninger i siddepositioner, hvor der er monteret en aktiv frontal airbag. Død eller alvorlig personskade kan forekomme. Du kan finde flere oplysninger i køretøjets instruktionsbog.

Anbring IKKE nogen genstande i området ved lastebenen foran din base.

Anvend IKKE nogen bærende kontaktpunkter end dem, der er beskrevet i vejledningen og markeret på den forbedrede barnefastholdelsesanordning.

Fortsæt IKKE med at bruge denne forbedrede barnefastholdelsesanordning, efter at den har været udsat for nogen form for skade, selv en mindre en. Udskift straks, da der muligvis kan være usynlig, strukturel skade fra ulykken.

Monter IKKE denne forbedrede barnefastholdelsesanordning uden at følge instruktionerne i denne vejledning, eller du kan udsætte dit barn for en alvorlig fare for personskade eller død.

Foretag IKKE nogen ændringer af denne forbedrede barnefastholdelsesanordning eller bruge den sammen med komponenter fra andre producenter.

Brug IKKE den forbedrede barnefastholdelsesanordning uden betragtet.

Brug IKKE denne forbedrede barnefastholdelsesanordning, hvis den har beskadigede eller manglende dele.

Sørg for at dit barn IKKE er iført stort/ overdimensioneret tøj , fordi dette kan forhindre dit barn i at blive fastgjort korrekt ved stropperne på skuldersædet og skridtstroppen mellem benene.

Forlad IKKE denne barnefastgørelsesanordning, eller andre genstande, der ikke er fastgjort i dit køretøj , da en forbedret barnefastgørelsesanordning, der ikke er fastgjort, kan blive kastet rundt og kvæste passagererne i et skarpt sving, under en pludselig opbremsning eller en kollision.

Anbring IKKE andet end de anbefalede inderpuder i denne barnefastholdelsesanordning.

DA



ADVARSEL

Sådan bruges sædet som en tilbagelænet holder

Sådan bruges sædet som en tilbagelænet holder.

Brug altid fastholdelsesanordningen.

Brug IKKE sædet som tilbagelænet holder, når dit barn kan sidde uden støtte.

Brug IKKE sædet, hvis nogen komponenter er ødelagte eller mangler.

Brug IKKE tilbehør eller andre reservedele end dem, der er godkendt af producenten.

Det er farligt at bruge dette sæde på en forhøjet overflade, f.eks. et bord.

Efterlad ALDRIG barnet uden opsyn.

Dette sæde er ikke beregnet til længere perioder med søvn.

Dette sæde erstatter ikke en barneseng eller en seng. Hvis dit barn har behov for at sove, skal det placeres i en egnet barneseng eller seng.

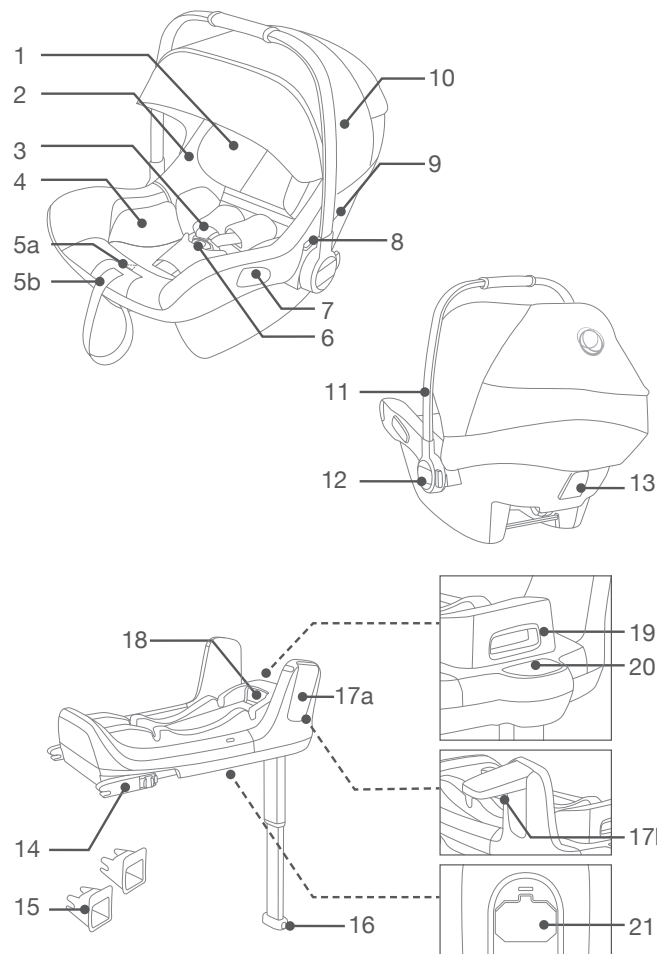


DA

Reservevedelsliste

Sørg for, at alle dele er tilgængelige inden montering. Spædbarnsbæreren og basen kan sælges separat. Hvis der mangler en del, skal du kontakte Bugaboo (se side 170 for oplysninger). Der kræves ingen værktøj til montering.

- | | | | |
|----|-------------------------------|-----|--|
| 1 | Hovedstøtte | 14 | ISOFIX-stik |
| 2 | Sædepude | 15 | ISOFIX-styr |
| 3 | Skuldersele stropper | 16 | Knap til justering af lasteben |
| 4 | Spædbarnsindsats | 17a | Vinger til beskyttelse mod sidekollision |
| 5a | Knap til justering af seletøj | 17b | Vingens fold tilbage-knap |
| 5b | Justeringsbånd | 18 | ISOFIX-justeringsknap |
| 6 | Sikkerhedsspænde | 19 | Udløserknap til spædbarnsbæreren |
| 7 | Sidestyr | 20 | Indikator for lasteben |
| 8 | Udløserknap til klapvogn | 21 | Betjeningsvejledning til opbevaringsrum |
| 9 | Beslag til vindfang | | |
| 10 | Vindfang | | |
| 11 | Håndtag | | |
| 12 | Håndtagsknap | | |
| 13 | Bagerste styr | | |



Brug af produktet

Monteringsproblemer

Dette spædbarnsbæreren er velegnet til køretøjets sæder med i-Size ISOFIX-ankerpunkter med basen. (1)

Brug IKKE den bagudvendte forbedrede barnefastholdelsesordenning på siddepladser, hvor der er monteret en aktiv frontal airbag. Død eller alvorlig personskade kan forekomme. (2) Du kan finde flere oplysninger i køretøjets instruktionsbog.

Monter IKKE denne forbedrede barnefastholdelsesordenning på køretøjets sæder, der vender sidelæns eller bagud i forhold til køretøjets bevægelsesretning. (3)

Det anbefales at montere denne forbedrede barnefastholdelsesordenning på køretøjets bagsæde. (4)

Monter IKKE denne barnefastgørelsesordenning på et bevægeligt køretøjssæde under monteringen.

Justering af håndtag

- 1 Håndtaget til spædbarnsbæreren kan justeres i forskellige 3 positioner. (5)
Barnestolsposition. (5)-1
Position til placering af babyen i sædet. (5)-2
Position til bil, hånd- eller klapvognstransport. (5)-3

- 2 For at justere håndtaget skal du trykke på håndtagets knapper på begge sider for at frigøre det. (6)-1
- 3 Drej håndtaget, indtil det klikker ind i en af de 3 positioner. (6)-2

Montering med base

- 1 Udfold lastebenet fra opbevaringsrummet. (7)
 - 2 Monter ISOFIX-styrene med ISOFIX-ankerpunkterne. (8) ISOFIX-styrene kan beskytte overfladen på køretøjets sæde mod at blive revet. De kan også guide ISOFIX-stikkene.
 - 3 Tryk på ISOFIX-justeringsknappen for at justere ISOFIX-stikkene. (9)
 - 4 Anbring ISOFIX-stikkene på linje med ISOFIX-styrene, og klik derefter begge ISOFIX-stik på ISOFIX-ankerpunkterne. (10)
-  Sørg for, at begge ISOFIX-stik er forsvarligt fastgjort til deres ISOFIX-ankerpunkter. Der bør være to hørbare klik, og farverne på indikatorerne på begge ISOFIX-stik skal være helt grønne. (10)-1
-  Kontroller, at basen er korrekt monteret ved at trække i begge ISOFIX-stik.
- 5 Efter at basen er blevet anbragt på køretøjets sæde, strækkes lastebenerne på gulvet (6). Når lastebenernes indikator lyser grønt, betyder det, at den er blevet monteret korrekt, og rødt betyder, at den er monteret forkert. (11)-2

- ⚠ Lastebenet har 19 positioner. Når lastebenets indikator lyser rødt, betyder det, at lastebenet er i den forkerte position.
 - ⚠ Sørg for, at lastebenet er i fuld kontakt med køretøjets chassis.
 - ⚠ For at afkorte lastebenet, skal du trykke på lastebenets udløserknop, og trække lastebenet opad. (11)-1
Den fuldt monterede base er vist som (12).
 - ⚠ ISOFIX-stikkene skal være fastgjort og låst fast på ISOFIX-ankerpunkterne. (12)-1
 - ⚠ Lastebenet skal monteres korrekt ved hjælp af en grøn indikator. (12)-2
- 6 For at fjerne basen skal du først trykke på den sekundære låseknop (13)-1 og derefter på knappen (13)-2 på låsestikkene, inden basen fjernes fra køretøjets sæde.
 - 7 Tryk på ISOFIX-justeringsknappen for at folde ISOFIX.
 - 8 Skub spædbarnsbæreren ned i basen (14). Hvis den forbedrede barnefastholdelsesanordning er sikker, vil sidebeskyttelsesvingerne åbne, og indikatoren på den forbedrede barnefastholdelsesanordning lyser grønt. (15)
Sidebeskyttelsesvingen, som vender væk fra døren, kan lukkes som vist på (16), når den ikke anvendes.

- ⚠ Træk op i spædbarnsbæreren for at være sikker på, at det er forsvarligt fastlåst i basen.
- 9 For at frigøre spædbarnsbæreren, træk den forbedrede barnefastgørelsesanordning op, mens du trykker på udløserknappen til spædbarnsbæreren. (17)

Højdejustering

til hovedstøtte og skuldersele

Kontroller, at stropperne til skulderselen er indstillet i den rigtige højde. Vælg det rigtige par af skulderselebeslag baseret på barnets højde.

- ⚠ Stopperne på skulderselen skal være tættest på dit barns skuldre (18), men ikke over skulderlinjen . (19)
- ⚠ Hvis stropperne på skulderselen ikke er i en korrekt højde, kan barnet blive slynget ud af den forbedrede barnefastholdelsesanordning i tilfælde af en kollision.

Træk i justeringshåndtaget til hovedstøtten (20), og træk eller skub hovedstøtten ned , indtil den klikker ind i en af de 7 positioner. Hovedstøttepositionen er vist som (21).

Sikring af barnet

Brug af spædbarnsindsats



Når barnet er anbragt i sædet, skal du kontrollere, om stropperne på skulderselen er i en passende højde.

- 1 Mens du trykker på knappen til justering af selen, trækkes de to stropper på skulderselen helt af den forbedrede barnefastholdelsesanordning. (22)
 - 2 Løsn spændet på selerne ved at trykke på den røde knap. (23)
 - 3 Placer barnet i spædbarnsbæreren og lås spændet. (25) Der henvises til (24).
 - 4 Spænd stropperne på skulderselen ved at trække i justeringsbåndet. (26)
- !** Sørg for, at mellemrummet mellem barnet og stropperne på skulderselen er omtrent tykkelsen af den ene hånd.

Vindfang

- 1 Vip solskærmen ud nedenunder den forreste bue på vindfanget. (27)
- 2 Træk den udtrækkelige 'smarte solskærm' ud mellem de to lag på solskærmen. (28)
- 3 Fastgør magneterne på hvert hjørne på forsiden af bilsædet. (29)
- 4 Sighullet på bagsiden kan åbnes for ventilation. (30)
For at folde vindskærmen tilbage skal du først vippe solskærmen under den forreste bue på vindfanget og derefter folde den udtrækkelige smarte solskærm tilbage nedenunder.

Frigør og monter beklædning

se billeder (31)-(40)

For at genmontere beklædningen, vend de fornævnte trin.

Montering uden base

- 1 Monter IKKE dette spædbarnsbæreren på køretøjets sæder med hofteseler. (41)
- 2 Dette spædbarnsbæreren er kun velegnet til sæder i et køretøj med en 3-punkts-sikkerhedssele (uden base). (42)
- 3 Placer spædbarnsbæreren på køretøjets sæde, hvor du vil placere det. Træk køretøjets

sikkerhedssele ud, og lås det i køretøjets spænde ved at skubbe køretøjets hoftesele i sidestyrene på spædbarnsbæreren. (43)

- ⚠ Spædbarnsbæreren kan ikke anvendes, hvis spændet på køretøjets sikkerhedssele (hunspændeende) er for langt til at forankre spædbarnsbæreren forsvarligt. (43)-1
- 4 Skub den diagonale sele ind i det bagerste styr. (44)
- 5 Træk i køretøjets skuldersele for at fastgøre spædbarnsbæreren stramt og sikkert. (45)
- 6 Niveaulinjen på spædbarnsbæreren skal være på niveau med jorden, når spædbarnsbæreren er monteret. (46)
- ⚠ Spænd køretøjets sikkerhedssele så meget som muligt, og kontroller, at det ikke er løst eller snoet.
- ⚠ Efter montering af spædbarnsbæreren, skal du altid kontrollere, at køretøjets sikkerhedssele er placeret korrekt og sikkert fastgjort i køretøjets spænde. (47)

Montering i flyvemaskine

- ⚠ Bemærk, at barnets sikkerhed, der ikke er i overensstemmelse med monteringen og betjeningsvejledningen ikke kan garanteres.
- ⚠ Bemærk, at monteringen af spædbarnsbæreren på et flysæde adskiller sig fra monteringen på et bilsæde.

- ⚠ Bemærk, at 2-punkts hoftesele -tilbehør kun tilladt i flyvemaskiner.
- ⚠ Bemærk, at spædbarnsbæreren skal forblive fastspændt på flysædet, selv når det ikke er optaget.
- ⚠ Bemærk, at spædbarnsbæreren kun kan anvendes på et passagersæde godkendt af flyselskabet.
- ⚠ Advarsler om ikke at anvende spædbarnsbæreren i området, hvor en airbag kan udløses. (2)
- ⚠ Bemærk, at et bagudvendt modul til autostole bør monteres på fremadvendte passagersæder. (48)

Sådan monteres et spædbarnsbæreren ved hjælp af flysædets sikkerhedssele:

- 1 Placer spædbarnsbæreren modsat flyretningen på passagersædet.
 - 2 Sørg for, at bærehåndtaget er i øverste position.
 - 3 Anbring sikkerhedsselen i begge selestyr.
 - 4 Luk sikkerhedsselen (se luftfartsselskabets sikkerhedsanvisninger).
 - 5 Spænd sikkerhedsselen ved at trække i seleenden. (49)
- ⚠ Sikkerhedsselens spænde må under ingen omstændigheder ligge inden for de mørkegrønne selestyr. (50)

Afmontering:

Åbn sikkerhedsselen på passagersædet (se sikkerhedsinstruktionerne fra flyselskabet). Nu kan du fjerne spædbarnsbæreren fra passagersædet.

Rengøring og vedligeholdelse

Rengør rammen, plastdele og stof med en fugtig klud, men anvend ikke slibemidler eller blegemiddel. Anvend ikke silikoneholdige smøremidler, da de tiltrækker støv og snavs.

For at sikre langvarig brug tørres dette produkt af med en blød, absorberende klud efter brug i regnvejr.

Der henvises til etiketterne, der er fastgjort til betrækket, for instruktioner om vask og tørring.

Det er normalt, at stoffet vil falme på grund af sollys og at vise slitage efter langvarigt brug, selv når det bruges normalt.

Af sikkerhedsmæssige årsager må der kun anvendes originale dele fra Bugaboo by Nuna.

Kontroller regelmæssigt, om alt fungerer korrekt. Hvis nogen dele er revet, beskadiget eller mangler, skal du stoppe med at bruge dette produkt.

DA

Oplysningerne heri kan ændres uden varsel. Bugaboo International BV er ikke ansvarlig for tekniske fejl eller mangler indeholdt heri. Det købte produkt kan afvige fra produktet som er beskrevet i denne brugervejledning. Vores mest brugbare brugervejledninger kan rekvireres hos vores serviceafdelinger eller på www.bugaboo.com.

© 2019 Bugaboo International BV. BUGABOO, BUGABOO CAMELEON, BUGABOO BEE, BUGABOO DONKEY, BUGABOO FOX, BUGABOO TURTLE, BUGABOO ANT, BUGABOO LYNX, BUGABOO STARDUST og Bugaboo-logoerne er registrerede varemærker. Bugaboo®-klapvogne er patenterede og designbeskyttede.

© NUNA International B.V. Nuna og alle tilknyttede logoer er varemærker.

DA

TÄRKEÄÄ!
SÄILYTÄ NÄMÄ OHJEET
TULEVAA KÄYTTÖÄ
VARTEN:
LUE HUOLELLISESTI

Sisällysluettelo

Tuotetiedot	194
Tuotteen rekisteröinti	194
Asiakaspalvelu	194
Lasta koskevat käyttövaatimukset	195
Käyttö jalustan kanssa	196
Varoitukset	198
Osaluettelo	204
Tuotteen käyttö	206
Puhdistus ja kunnossapito	214
English (EN)	2
Francais (FR)	24
Nederlands (NL)	48
Deutsch (DE)	72
Italiano (IT)	96
Espanol (ES)	120
Ελληνικά (EL)	144
Dansk (DA)	168
Suomi (FI)	192
Norsk (NO)	216

Tuotetiedot

Mallinumero: _____

Valmistuspäivä: _____

Tuotteen rekisteröinti

Täytä yllä olevat tiedot. Mallinumero ja valmistuspäivä löytyvät Bugaboo Turtle Air by Nuna -turvaistuimen pohjasta.

Rekisteröi tuotteesi osoitteessa:
<https://service.bugaboo.com/ProductRegistrationForm>

Nuna on tarkoituksellisesti kehittänyt ja valmistanut tämän tuotteen vastaamaan Nunan ja Bugaboon korkeita laatustandardeja. Pidä ostotodiste, mallinumero ja valmistuspäivä käsillä, kun otat yhteyttä huoltoon. Bugaboo vastaa puheluusi koskien Bugaboo Turtle Air by Nuna -jalustaa.

Saat Bugaboo Turtle Air by Nuna -turvaistuimen takuutiedot osoitteesta: www.bugaboo.com/warranty

Asiakaspalvelu

Saatat löytää vastauksen kysymyksiisi verkkosivustoltamme www.bugaboo.com. Jos haluat ottaa yhteyttä kansainväliseen palvelutiimiimme, olemme aina iloisia kuullessamme sinusta! Olemme valmiina vastaamaan kysymyksiisi, huolenaiheisiisi tai huomioihisi koskien tuotteitamme ja palveluitamme. Voit ottaa meihin yhteyttä milloin vain. Palautteesi auttaa meitä parantamaan tuotteitamme ja palveluitamme entisestään.

Valitse parhaiten sinulle sopiva yhteydenottomenetelmä:

Puhelin, +46-856642742

Sähköposti, service.nordics@bugaboo.com

Yhteydenottolomake bugaboo.com, www.bugaboo.com/support

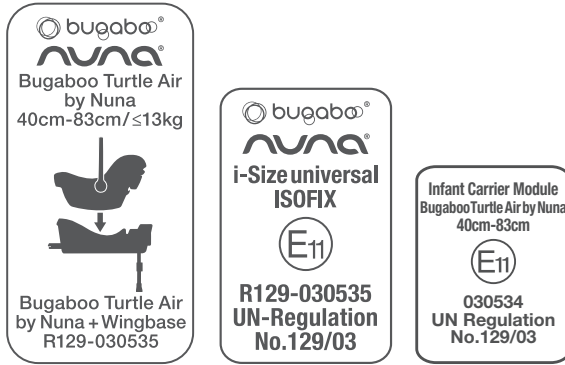
Twitter, @Bugaboo

Lasta koskevat käyttövaatimukset

Tämä tuote sopii käytettäväksi lapsilla, jotka täyttävät seuraavat vaatimukset:

Asennuskuva	Soveltuvuus:
	Lapsen pituus 40–83 cm/ Lapsen paino ≤ 13kg (noin 15 kuukauden ikäinen tai nuorempi)
	Lapsen pituus 40–83 cm/ Lapsen paino ≤ 13kg Lapsen ikä ≤ 15 kuukautta

Käyttö jalustan kanssa



- 1 ”Kokoluokan i” (kiinteä kaikkiin autoihin sopiva ISOFIX-kiinnitettävä tehostettu lasten turvajärjestelmä) on tehostetun lasten turvajärjestelmän luokka, joka on ensisijaisesti suunniteltu käytettäväksi kaikissa kokoluokan i istuinpaikoissa autoissa.
- 2 E-säännön nro 129 mukaisesti tehostettu lasten turvajärjestelmä jalustan kanssa on kaikkiin autoihin sopiva ISOFIX tehostettu lasten turvajärjestelmä, ja se on kiinnitettävä ISOFIX-kiinnikkeiden avulla.

- 3 Tämä on ”kokoluokan i” tehostettu lasten turvajärjestelmä. Se on hyväksytty E -säännön nro 129 mukaisesti käytettäväksi kokoluokan i kanssa yhteensopivien auton istuinpaikkojen kanssa, kuten autonvalmistajat ovat osoittaneet auton käyttöoppaassa.
- 4 Tämä on kaikkiin autoihin sopiva vöillä kiinnitettävä tehostettu lasten turvajärjestelmä. Se on hyväksytty E-säännön nro. 129 mukaisesti käytettäväksi ensisijaisesti kaikilla auton istuinpaikoilla, kuten autonvalmistajat ovat osoittaneet auton käyttöoppaassa.
- 5 Jos olet epävarma, ota yhteyttä tehostetun lasten turvajärjestelmän valmistajaan tai jälleenmyyjään.

VAROITUS

Näiden varoitusten ja ohjeiden laiminlyönti voi aiheuttaa vakavan henkilövahingon tai kuoleman.

Hihnojen, joilla turvakaukalomoduuli on kiinnitetty autoon, tulisi olla kireällä, tukijalan pitää koskettaa auton lattiaan, hihnat, joilla lapsi on kiinnitetty, pitää säätää lapsen kehon mukaisesti eivätkä hihnat saa olla kierteillä.

Matkatavarat tai muut esineet, jotka voivat aiheuttaa henkilövahinkoja törmäystapauksessa, on asianmukaisesti kiinnitettävä.

Varmista, että tehostettu lasten turvajärjestelmä on asennettu siten, että mikään sen osa ei häiritse siirrettävien istuinten liikettä tai auton ovien toimintaa.

Ennen kuin annat turvakaukalomoduulia kädessäsi, varmista, että lapsi on kiinnitetty valjaisiin, ja että kahva on asianmukaisesti lukittu pystyasentoon.

Keskustele jälleenmyyjän kanssa asioista, jotka koskevat kunnossapitoa, korjausta ja osien vaihtoa.

Asianmukainen asennus on sallittua vain ISOFIX-kiinnikkeitä käyttämällä.

Tarkista ISOFIX-ohjaimet säännöllisin väliajoin lian varalta ja puhdista ne tarvittaessa. Niissä oleva lika, pöly, ruoanmurut, tms. voivat vaikuttaa luotettavuuteen.

Tarkista ennen tämän tehostetun lasten turvajärjestelmän ostamista, että se varmasti voidaan asianmukaisesti asentaa autoosi.

Säilytä tätä tehostettua lasten turvajärjestelmää ilman kangaspeitettä poissa auringonvalosta, koska se voi kuumentua liikaa lapsen ihoa ajatellen. Kokeile aina kädellä tehostettua lasten turvajärjestelmää ennen lapsen asettamista siihen.

Jos käytät tätä tehostettua lasten turvajärjestelmää ISOFIX -kiinnikkeiden kanssa E-säännön nro. 129 mukaisesti, lapsesi on vastattava seuraavia vaatimuksia.

Lapsen pituus 40–83 cm/Lapsen paino ≤ 13kg (noin 15 kuukauden ikäinen tai nuorempi)

Jos käytät tätä turvakaukalomoduulia auton turvavyön kanssa, lapsesi on vastattava seuraavia vaatimuksia.

Lapsen pituus 40–83 cm.

Lapsen paino ≤ 13kg/Lapsen ikä ≤ 15 kuukautta.

Tehostettujen lasten turvajärjestelmien pehmusteita ei saa vaihtaa muihin kuin valmistajan suosittelemiin osiin, koska pehmusteet muodostavat olennaisen osan turvajärjestelmän suorituskykyä.

Vältä putoamisriski kiinnittämällä lapsi aina valjailla, kun lapsi on asetettu turvakaukalomoduuliin, silloinkin, kun tehostettu lasten turvajärjestelmä ei ole autossa.

Vältäaksesi vakavat henkilövahingot tai kuoleman, **ÄLÄ KOSKAAN** aseta turvakaukalomoduulia koroikeistuimelle, kun lapsi on siinä.

Tämän tehostetun lasten turvajärjestelmän osia ei saa voidella millään tavalla.

Irrota tämä turvakaukalomoduuli ja jalusta auton istuimelta, kun sitä ei käytetä säännöllisesti.

Kiinnitä lapsi AINA tehostettuun lasten turvajärjestelmään, myös lyhyillä matkoilla, koska silloin tapahtuu eniten onnettomuuksia.

ÄLÄ KOSKAAN jätä lasta yksin valvomatta tähän tehostettuun lasten turvajärjestelmään.

ÄLÄ KOSKAAN käytä käytettyä tehostettua lasten turvajärjestelmää tai tehostettua lasten turvajärjestelmää, jonka historiaa et tunne, koska siinä voi olla rakenteellisia vaurioita, jotka vaarantavat lapsesi turvallisuuden.

ÄLÄ KOSKAAN käytä köysiä tai muita korvaavia kiinnitysmenetelmiä tehostetun lasten turvajärjestelmän kiinnittämiseen autoon tai lapsen kiinnittämiseksi tehostettuun lasten turvajärjestelmään.

MIKÄÄN tehostettu lasten turvajärjestelmä ei pysty täysin takaamaan suojaa henkilövahingoilta onnettomuustapauksessa. Tämän tehostetun lasten turvajärjestelmän asianmukainen käyttö kuitenkin vähentää vakavan henkilövahingon tai kuoleman riskiä lapsellasi.

ÄLÄ käytä selkä menosuuntaan asennettua tehostettua lasten turvajärjestelmää istuinpaikoissa, joihin on asennettu aktiivinen etuturvatyyny. Kuolema tai vakava henkilövahinko voi esiintyä. Lue auton käyttöoppaasta lisätietoja.

ÄLÄ aseta mitään esineitä tukijalan alueelle jalustan eteen.

ÄLÄ käytä muita kuormaa kantavia liitoskohtia kuin niitä, jotka on kuvattu ohjeissa ja merkitty tehostettuun lasten turvajärjestelmään.

ÄLÄ jatka tämän tehostetun lasten turvajärjestelmän käyttöä minkäänlaisen törmäyksen, edes pienen, jälkeen. Vaihda välittömästi uuteen, koska siinä voi olla törmäyksen aiheuttamia näkymättömiä ja rakenteellisia vaurioita.

ÄLÄ asenna tätä tehostettua lasten turvajärjestelmää noudattamatta tämän käyttöoppaan ohjeita tai voit altistaa lapsen vakavalle henkilövahingon tai kuoleman riskille.

ÄLÄ tee muokkauksia tähän tehostettuun lasten turvajärjestelmään tai käytä sitä yhdessä muiden valmistajien osien kanssa.

ÄLÄ käytä tehostettua lasten turvajärjestelmää ilman pehmusteita.

ÄLÄ käytä tätä tehostettua lasten turvajärjestelmää, jos se on vaurioitunut tai siitä puuttuu osia.

ÄLÄ pue lastasi suuriin/ylikokoisiin vaatteisiin, koska tämä voi estää lapsesi asianmukaisen ja turvallisen kiinnittämisen olkavaljailla ja lantiovöillä jalkojen välistä.

ÄLÄ jätä tätä tehostettua lasten turvajärjestelmää tai muita tavaroita kiinnittämättä vöillä tai muutoin autoon, koska kiinnittämätön tehostettu lasten turvajärjestelmä voi lennellä ympäriinsä ja aiheuttaa vamman paikallaolijoille jyrkkien käännösten, äkillisten pysähdyksien tai törmäystapauksissa.

ÄLÄ laita mitään muita kuin suositeltuja sisätyynyjä tähän tehostettuun lasten turvaistuimeen.

VAROITUS

Istuimen käyttäminen kallistettuna kehtona

Istuimen käyttäminen kallistettuna kehtona.

Käytä aina turvajärjestelmää.

ÄLÄ käytä istuinta kallistettuna kehtona, jos lapsesi osaa jo istua omin avuin.

ÄLÄ käytä istuinta, jos siitä puuttuu osia tai jos osat ovat viallisia.

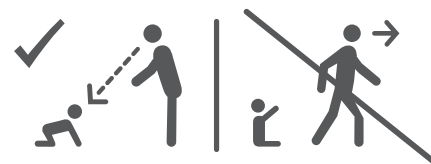
ÄLÄ käytä muita kuin valmistajan hyväksymiä lisävarusteita tai varaosia.

On vaarallista käyttää tätä istuinta korkeammilla alustoilla, kuten pöydän päällä.

ÄLÄ KOSKAAN jätä lasta istuimeen valvomatta.

Tämä istuin ei sovi nukkumapaikaksi pitkille unille.

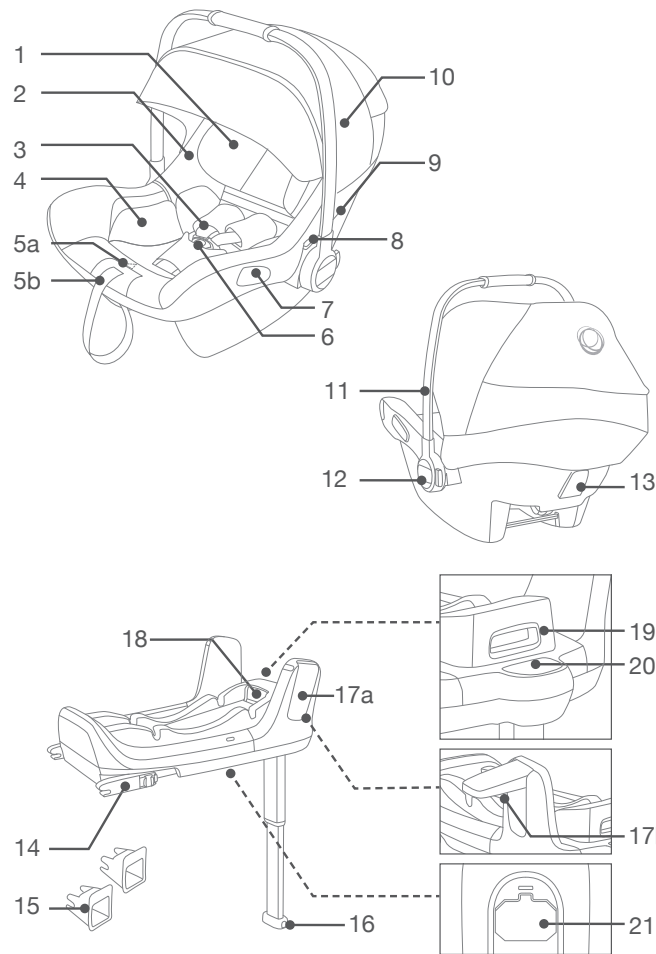
Tämä istuin ei korvaa lastensänkyä tai sänkyä. Jos lapsesi tarvitsee unta, hänet tulee laittaa sopivaan sänkyyn.



Osaluettelo

Varmista ennen kokoamista, että kaikki osat ovat käsillä. Turvakaukalomoduuli ja jalusta voidaan myydä erikseen. Jos joku osa puuttuu, ota yhteyttä Bugaboohon (katso tiedot sivulta 194). Kokoamiseen ei tarvita työkaluja.

- | | | | |
|----|-------------------------|-----|-----------------------------------|
| 1 | Pääntuki | 14 | ISOFIX-kiinnike |
| 2 | Istuinpehmuste | 15 | ISOFIX-ohjaimet |
| 3 | Olkavaljaiden hihnat | 16 | Tukijalan säätöpainike |
| 4 | Turvakaukalon pienennin | 17a | Sivutörmäyssuojat |
| 5a | Valjaiden säätöpainike | 17b | Vingens fold tilbage-knap |
| 5b | Säätövyöt | 18 | ISOFIX-säätöpainike |
| 6 | Turvasolki | 19 | Turvakaukalomoduulin avauspainike |
| 7 | Sivuohjaimet | 20 | Tukijalan ilmaisin |
| 8 | Vaunujen avauspainike | 21 | Käyttöohjeiden säilytyslokero |
| 9 | Kuomun kiinnike | | |
| 10 | Kuomu | | |
| 11 | Kahva | | |
| 12 | Kahvapainike | | |
| 13 | Takaohjain | | |



Tuotteen käyttö

Asennuksessa huomioon otettava asiat

Tämä turvakaukalomoduuli soveltuu käytettäväksi jalustan kanssa auton istuinpaikoilla, joissa on kokoluokan I ISOFIX-kiinnityskohdat. (1)

ÄLÄ käytä selkä menosuuntaan asennettua tehostettua lasten turvajärjestelmää istuinpaikoissa, joihin on asennettu aktiivinen etururvatyyny. Kuolema tai vakava henkilövahinko voi esiintyä. (2) Lue auton käyttöoppaasta lisätietoja.

ÄLÄ asenna tätä tehostettua lasten turvajärjestelmää auton istuinpaikoille, jotka osoittavat kasvot sivuttain tai taaksepäin auton liikkumissuuntaan nähden. (3)

Suosittelemme asentamaan tämän tehostetun lasten turvajärjestelmän auton takaistuimelle. (4)



ÄLÄ asenna tätä tehostettua lasten turvajärjestelmää auton istuimille, jotka ovat liikuteltavissa asennuksen aikana.

Kahvan säätö

- 1 Turvakaukalomoduulin kahva voidaan säätää 3 asentoon. (5)
Vauvanistuinasento. (5)-1
Asento, jossa vauva asetetaan istuimeen. (5)-2
Asento autossa, kädessä tai vaunuissa kuljettamista varten (5)-3

- 2 Säädä kahvaa puristamalla kahvan painikkeita molemmilta puolilta turvakaukalon avaamiseksi. (6)-1
- 3 Käännä kahvaa, kunnes se napsahtaa yhteen 3 asennosta. (6)-2

Asennus jalustan kanssa

- 1 Taita tukijalka auki säilytyslokerosta. (7)
 - 2 Asenna ISOFIX-ohjaimet ISOFIX-kiinnityskohtiin. (8) ISOFIX-ohjaimet suojaavat auton istuimen pintaa repeämiltä. Ne myös ohjaavat ISOFIX-kiinnikkeitä.
 - 3 Paina ISOFIX-säätöpainiketta ISOFIX-kiinnikkeiden säätämiseksi. (9)
 - 4 Kohdista ISOFIX-kiinnikkeet ISOFIX -ohjaimiin ja napsauta sitten molemmat ISOFIX-kiinnikkeet ISOFIX-kiinnityskohtiin. (10)
-  Varmista, että molemmat ISOFIX-kiinnikkeet on varmasti kiinnitetty niiden ISOFIX-kiinnityskohtiin. Pitäisi kuulua kaksi napsahdusta, ja molempien ISOFIX-kiinnikkeiden ilmaisinten värin pitäisi olla kokonaan vihreä. (10)-1
-  Tarkista ja varmista vetämällä molemmista ISOFIX-kiinnikkeistä, että jalusta on varmasti asennettu.
- 5 Kun jalusta on asetettu auton istuimelle, vedä tukijalka auki lattiaan (11). Tukijalan ilmaisimen vihreä väri tarkoittaa, että se on oikein asennettu, punainen tarkoittaa virheellistä asennusta. (11)-2

! Tukijalalla on 19 asentoa. Tukijalan ilmaisimen punainen väri tarkoittaa, että tukijalka on väärässä asennossa.

! Varmista, että tukijalka koskettaa auton lattialevyä.

! Lyhennä tukijalkaa puristamalla tukijalan avauspainiketta ja vetämällä tukijalkaa ylöspäin. (11)-1
Valmiiksi koottu jalusta näyttää tällaiselta (12).

! ISOFIX-kiinnikkeet on kiinnitettävä ja lukittava ISOFIX-kiinnityskohtiin. (12)-1

! Tukijalka on asennettava asianmukaisesti ilmaisimen näyttäessä vihreää. (12)-2

6 Irrota jalusta painamalla toista lukkopainiketta (13)-1 ensin ja sitten painiketta (13)-2 salpaliittimistä ennen jalustan irrottamista auton istuimelta.

7 Paina ISOFIX-säätöpainiketta ISOFIXIN taivuttamiseksi.

8 Työnnä turvakaukalomoduuli jalustaan (14), jos tehostettu lasten turvajärjestelmä on varmasti kiinni, sivutörmäyssuojat avautuvat, ja tehostetun lasten turvajärjestelmän ilmaisimen näyttää vihreää. (15) Sivutörmäyssuoja, joka on irti ovesta, voidaan sulkea, kuten kohdassa (16) näytetään, kun se ei ole käytössä.

! Vedä turvakaukalomoduulia ylöspäin varmistaaksesi, että se on varmasti kiinni jalustassa.

9 Irrota turvakaukalomoduuli vetämällä tehostettua lasten turvajärjestelmää ylöspäin samalla puristaen turvakaukalomoduulin avauspainiketta. (17)

Korkeussäätö

pääntuelle ja olkavaljaille

Tarkista, että olkavaljaat on asetettu oikealle korkeudelle. Valitse oikea olkavaljaiden lovipari lapsen pituuden mukaisesti.

! Olkavaljaiden on oltava lähimpänä lapsesi olkapäitä (18), mutta ei olkalinjan yläpuolella (19).

! Jos olkavaljaat eivät ole oikealla korkeudella, lapsi voi singota ulos tehostetusta lasten turvajärjestelmästä törmäystapauksessa.

Vedä pääntuen säätövipua (20) ja vedä samalla pääntukea ylös tai paina alas, kunnes se napsahtaa yhteen 7 asennosta. Pääntuen asennot näytetään kohdassa (21).

Lasten kiinnittäminen

Käytä turvakaukalon pienennintä



Kun lapsi on asetettu istuimeen, tarkista istuvatko olkavaljaat oikealla korkeudella.

- 1 Kun painat valjaiden säätöpainiketta, vedä samalla tehostetun lasten turvajärjestelmän kahta olkavaljaiden hihnaa kokopitkiksi. (22)
 - 2 Avaa valjaiden solki painamalla punaista painiketta. (23)
 - 3 Aseta lapsi turvakaukalomoduuliin ja lukitse solki. (25) Katso kohtaa (24).
 - 4 Kiristä olkavaljaiden hihnat vetämällä säätövyöstä. (26)
- ⚠ Varmista, että lapsen ja olkavaljaiden välillä on noin yhden käden paksuus.

Kuomu

- 1 Nosta lippa kuomun etukaaren alta (27)
- 2 Vedä ulos jatkettava älylippa kahden lippakerroksen välistä. (28)
- 3 Kiinnitä magneetit kumpaankin kulmaan turvaistuimen edustaan. (29)
- 4 Takana oleva kurkistusaukko voidaan avata ilmanvaihtoa varten. (30)
Taita kuomu taakse kääntämällä ensin lippa kuomun etukaaren alta taakse ja sitten taittamalla jatkettava älylippa alle.

Pehmusteiden irrottaminen ja kiinnittäminen

katso kuvat (31)-(40)

Kokoa pehmusteet takaisin suorittamalla edellä mainitut vaiheet vastakkaisessa järjestyksessä.

Asennus ilman jalustaa

- 1 ÄLÄ asenna tätä turvakaukalomoduulia auton istuimille lantiovöillä. (41)
- 2 Turvakaukalomoduuli soveltuu (ilman jalustaa) vain auton istuimille, joissa on sisäänkelautuvat 3-pisteturvavyöt. (42)

3 Aseta turvakaukalomoduuli auton istuimelle , johon haluat sen laittaa. Vedä auton turvavyö ulos ja lukitse se auton solkeen liu'uttamalla auton lantiovyö turvakaukalomoduulin sivuohjaimiin. (43)

! Turvakaukalomoduulia ei voi käyttää, jos auton turvavyön solki (soljen naaraspää) on liian pitkä kiinnittämään turvakaukalomoduulin turvallisesti (43)-1

4 Vedä olkavyö takaohjaimen. (44)

5 Vedä auton olkavyötä kiinnittääksesi turvakaukalomoduulin tiukasti ja turvallisesti. (45)

6 Turvakaukalossa olevan vaakaviivan on oltava vaakasuorassa maahan nähden, kun turvakaukalomoduuli on asennettu. (46)

! Kiristä auton turvavyö mahdollisimman tiukalle tarkistaen, että se ei ole löysällä tai kierteillä.

! Tarkista aina turvakaukalomoduulin asentamisen jälkeen, että auton vyöt on reititetty oikein ja turvallisesti kiinnitetty auton solkeen. (47))

Asennus lentokoneessa

! Huomaa, että lapsen turvallisuutta ei taata, mikäli asennus- ja käyttöoppaan ohjeita ei noudateta.

! Huomaa, että turvakaukalomoduulin asennus lentokoneen istuimelle eroaa auton istuimelle asentamisesta.

! Huomaa, että 2-pistelantiovyöllä kiinnitys on sallittua vain lentokoneessa.

! Huomaa, että turvakaukalomoduulin on pysyttävä vöillä kiinnitettynä lentokoneen istuimelle myös tyhjänä.

! Huomaa, että turvakaukalomoduulia saa käyttää vain lentoyhtiön valtuuttamalla matkustajan istuimella.

! Varoitus: Turvakaukalomoduulia ei saa käyttää turvatyynyn laukeamisalueella. (2)

! Huomaa, että selkä menosuuntaan olevan turvakaukalomoduulin saa asentaa vain kasvat menosuuntaan osoittaville matkustajan istuimille. (48)

Ohjeet turvakaukalomoduulin asentamiseen lentokoneen istuimen turvavyötä käyttäen:

- 1 Aseta turvakaukalomoduuli lentosuuntaa vasten matkustajan istuimelle.
 - 2 Varmista, että kantokahva on ylimmässä asennossa.
 - 3 Aseta turvavyö molempiin vyönohjaimiin.
 - 4 Sulje turvavyö (katso lentoyhtiön turvallisuusohjeet).
 - 5 Kiristä turvavyötä vetämällä vyön päästä. (49)
- !** Turvavyön solki ei saa missään olosuhteissa olla tummanvihreiden vyönohjainten sisäpuolella. (50)

Irrotus:

Avaa matkustajan istuimen turvavyö (katso lentoyhtiön turvallisuusohjeet). Voit nyt ottaa turvakaukalomoduulin pois matkustajan istuimelta.

Puhdistus ja kunnossapito

Puhdista runko, muoviosat ja kangas kostealla liinalla, mutta älä käytä hankaus- tai valkaisuainetta. Älä käytä silikonivoiteluaineita, koska ne vetävät likaa ja roskia puoleensa.

Varmista pitkä käyttöikä pyyhkimällä tuotetta pehmeällä ja imukykyisellä liinalla sateessa käytön jälkeen.

Katso pehmusteisiin kiinnitetyistä hoito-ohjemerkinnoistä pesu- ja kuivausohjeet.

On normaalia, että kankaan väri haalistuu auringonvalosta ja että siinä näkyy kulumista pitkäkestoisen käytön jälkeen, vaikka käyttö olisi normaalia.

Käytä turvallisuussyistä vain alkuperäisiä Bugaboo by Nuna -osia.

Tarkista säännöllisesti, että kaikki toimii oikein. Jos jokin osa on repeytynyt, rikki tai puuttuu, lopeta tämän tuotteen käyttö.

Tämän asiakirjan sisältämät tiedot voivat muuttua ilmoittamatta. Bugaboo International BV ei ole vastuussa asiakirjan sisältämistä teknisistä virheistä tai poisjättämisistä. Ostettu tuote voi erota tässä käyttöoppaassa kuvatusta tuotteesta. Uusimmat käyttöoppaamme ovat saatavissa pyynnöstä huolto-osastoltamme tai osoitteesta www.bugaboo.com.

© 2019 Bugaboo International BV. BUGABOO, BUGABOO CAMELEON, BUGABOO BEE, BUGABOO DONKEY, BUGABOO FOX, BUGABOO TURTLE, BUGABOO ANT, BUGABOO LYNX, BUGABOO STARDUST ja Bugaboo-logot ovat rekisteröityjä tavaramerkkejä. Bugaboo®-lastenvaunut ovat patentoituja ja mallisuojujattuja.

© NUNA International B.V. Nuna ja kaikki siihen liittyvät logot ovat tavaramerkkejä.

**VIKTIG! TA
VARE PÅ DISSE
INSTRUKSJONENE FOR
FREMTIDIG REFERANSE:
LES GRUNDIG**

NO

Innhold

Produktinformasjon	218
Produktregistrering	218
Kundestøtte	218
Krav til bruk med barn	219
For bruk med base	220
Advarsler	222
Deleliste	228
Bruk av produkt	230
Rengjøring og vedlikehold	238
English (EN)	2
Francais (FR)	24
Nederlands (NL)	48
Deutsch (DE)	72
Italiano (IT)	96
Espanol (ES)	120
Ελληνικά (EL)	144
Dansk (DA)	168
Suomi (FI)	192
Norsk (NO)	216

NO

Produktinformasjon

Modellnummer: _____

Produsert i (dato): _____

Produktregistrering

Fyll ut informasjonen over. Modellnummeret og produsert i-datoen befinner seg i bunnen av Bugaboo Turtle Air by Nuna.

Hvis du vil registrere produktet ditt, kan du gå til:
<https://service.bugaboo.com/ProductRegistrationForm>

Nuna har utviklet og produsert dette produktet for å oppfylle Nuna og Bugaboos høye kvalitetskrav. Ha kjøpsbevis, modellnummer og produsert i-datoen for hånden når du tar kontakt med støtten. Bugaboo er tilgjengelig for anrop om Bugaboo Turtle Air by Nuna.

For informasjon om garantien til denne Bugaboo Turtle Air by Nuna, gå til: www.bugaboo.com/warranty

Kundestøtte

Hvis du har spørsmål, kan det hende at du finner svaret på nettstedet vårt, www.bugaboo.com. Vi står klare til å hjelpe hvis du må ta kontakt med det internasjonale støtteamet vårt! Vi kan svare på alle spørsmål, bekymringer eller tilbakemeldinger du har om produkter og tjenester. Ikke nøl med å ta kontakt med oss. Tilbakemeldingene dine hjelper oss med å forbedre produktene og tjenestene våre.

Velg din foretrukne kontaktmåte:

Telefon, +46-856642742

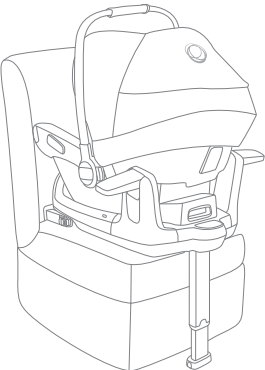
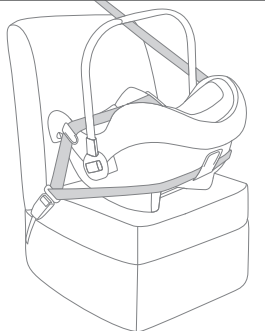
E-post, service.nordics@bugaboo.com

Kontakt skjema via bugaboo.com, www.bugaboo.com/support

Twitter, @Bugaboo

Krav til bruk med barn

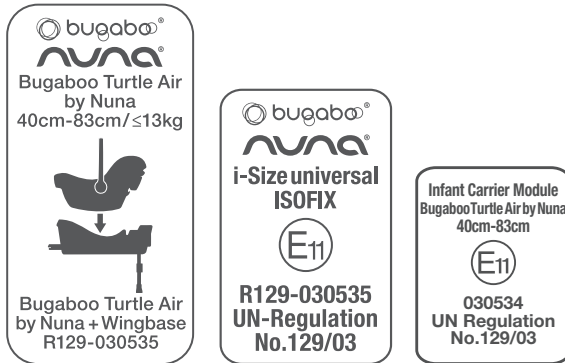
Dette produktet er egnet til bruk med barn som oppfyller følgende krav:

Figur for montering	Egnet for
	Barn, høyde 40–83 cm / Barn, vekt ≤ 13 kg (omtrent 15 måneder eller yngre)
	Barn, høyde 40–83 cm / Barn, vekt ≤ 13 kg (Barnets alder ≤ 15 måneder)

NO

NO

For bruk med base



- 1 i-Size (integrerte universelle ISOFIX forbedrede barnesikringsssystemer) er en kategori forbedret barnesikringsssystem som hovedsakelig er utviklet for bruk i alle i-Size-seteposisjoner i et kjøretøy.
- 2 I henhold til FN-standard 129, er det forbedrede barnesikringsutstyret med base universelt ISOFIX forbedret barnesikringsutstyr og bør utrustes med ISOFIX-tilkoblinger.
- 3 Dette er et i-Size forbedret barnesikrings system. Det er godkjent iht. FN -standard 129 for bruk i i-Size-kompatible seteposisjoner som angitt av kjøretøy produsenter i kjøretøyets brukerhåndbok.

- 4 Dette er et universelt forbedret barnesikringsssystem med belte. Det er godkjent iht. FN -standard 129 for hovedsakelig bruk i universelle seteposisjoner som angitt av kjøretøy produsenter i kjøretøyets brukerhåndbok.
- 5 Hvis du er i tvil, kan du ta kontakt med produsenten eller forhandleren av det forbedrede barnesikringsutstyret.

ADVARSEL

Når du ikke følger disse instruksjonene, kan det medføre alvorlig skade eller dødsfall.

Stropper som fester babystolmodulen til kjøretøyet skal være stramme slik at alle støtteben er i kontakt med kjøretøyets gulv, alle stropper som sikrer barnet skal være tilpasset barnets kropp og stroppene skal ikke være vridd.

All bagasje og andre gjenstander som kan påføre skader ved kollisjon skal være forsvarlig sikret.

Forsikre deg om at det forbedrede barnesikringsutstyret er montert slik at ingen deler av det kommer i veien for bevegelige seter eller bruk av kjøretøyets dører.

Før du bærer babystolmodulen i hånden, må du forsikre deg om at barnet er sikret med barneselen og at håndtaket er forsvarlig låst i en vertikal posisjon.

Konsulter med produsenten ved problemer i forhold til vedlikehold, reparasjon og utskifting av deler.

Korrekt montering er kun tillat med bruk av ISOFIX-tilkoblinger.

Kontroller ISOFIX-føringene regelmessig for smuss og rengjør dem om nødvendig. Påliteligheten kan påvirkes av inntrengning av smuss, støv, matsmuler osv.

Kontroller at dette forbedrede barnesikringsutstyret kan monteres riktig i kjøretøyet ditt før du kjøper det.

Oppbevar dette forbedrede barnesikringsutstyret uten å være tildekket av tekstiler og unna sollys, siden det kan bli for varmt for barnets hud. Ta alltid på det forbedrede barnesikringsutstyret før du plasserer barnet i det.

For å bruke dette forbedrede barnesikringsutstyret med ISOFIX -tilkoblingene iht. FN-standard 129, må barnet ditt oppfylle følgende krav.

Barn, høyde 40–83 cm /Barn, vekt \leq 13 kg (omtrent 15 måneder eller yngre).

For å bruke denne babystolmodulen med et kjøretøys sikkerhetsbelte, må barnet ditt oppfylle følgende krav.

Barn, høyde 40–83 cm.

Barn, vekt \leq 13kg / Barn, alder \leq 15 måneder.

Det forbedrede barnesikringssystemets myke deler skal ikke skiftes ut med andre deler enn delene som anbefales av produsenten siden myke deler utgjør en integrert del av fastspenningsytelsen.

For å unngå risiko for å falle ut av stolen, må barnet alltid sikres med barneselene når barnet plasseres i babystolmodulen, selv når det forbedrede barnesikringsutstyret ikke er i kjøretøyet.

For å unngå alvorlig skade eller dødsfall, må du ALDRI plassere babystolmodulen på et opphøyd overflatesete med et barn i det.

Delene til det forbedrede barnesikringsutstyret skal ikke smøres på noen måte.

Fjern babystolmodulen og basen fra bilsetet når de ikke er i bruk.

Sikre ALLTID barnet i det forbedrede barnesikringsutstyret, selv under korte turer, siden det er her de fleste ulykker skjer.

ALDRI la barnet være uten tilsyn med dette forbedrede barnesikringsutstyret.

ALDRI bruk brukte forbedret barnesikringsutstyr eller forbedret barnesikringsutstyr der du ikke vet noe om tidligere bruk siden du ikke vet om det har strukturelle skader som kan medføre fare for barnet ditt.

ALDRI bruk tau eller andre substitutter for å sikre det forbedrede barnesikringsutstyret i bilen eller for å sikre barnet i det forbedrede barnesikringsutstyret.

INGEN forbedret barnesikringsutstyr kan garantere fullt vern mot skade når ulykker inntreffer. Men korrekt bruk av dette forbedrede barnesikringsutstyret vil redusere risikoen for alvorlig skade eller dødsfall hos barnet ditt.

IKKE bruk det bakovervendte forbedrede barnesikringssystemet i seteposisjoner med en aktiv kollisjonspute foran montert. Dødsfall eller alvorlige skader kan oppetre. Se kjøretøyeierens håndbok for mer informasjon.

IKKE plasser gjenstander i støttebenets område foran basen.

IKKE bruk lastbærende kontaktpunkter annet enn beskrevet i instruksjonene og som merket på det forbedrede barnesikringsutstyret.

IKKE fortsett å bruke dette forbedrede barnesikringsutstyret etter at det har blitt utsatt for en kollisjon, selv en liten kollisjon. Skift det ut øyeblikkelig siden det kan ha fått usynlige, strukturelle skader i kollisjonen.

IKKE monter dette forbedrede barnesikringsutstyret uten å følge instruksjonene i denne håndboken. Dette kan medføre stor risiko for skade eller dødsfall for barnet ditt.

IKKE gjør endringer ved dette forbedrede barnesikringsutstyret, og ikke bruk det med komponentdeler fra andre produsenter.

IKKE bruk det forbedrede barnesikringsystemet uten de myke delene.

IKKE bruk dette forbedrede barnesikringsutstyret hvis det er skadet eller mangler deler.

IKKE la barnet bruke store eller for store klær siden dette kan medføre at barnet ditt ikke festes riktig og sikkert i skulder stroppene og setestroppene mellom bena.

IKKE plasser dette forbedrede barnesikringsutstyret eller andre deler uten beltesikring eller annen sikring i kjøretøyet siden et usikkert forbedret barnesikringssystem kan kastes rundt og skade passasjerer i en skarp sving, brå stopp eller kollisjon.

IKKE legg annet enn de anbefalte innsiddeputene i dette forbedrede barnesikringsutstyret.

ADVARSEL

Bruke setet som liggestol

Bruke setet som liggestol.

Bruk alltid fastspenningssystemet.

IKKE bruk setet som liggestol når barnet ditt kan sitte uten hjelp.

IKKE bruk setet hvis noen komponenter på det er ødelagte eller mangler.

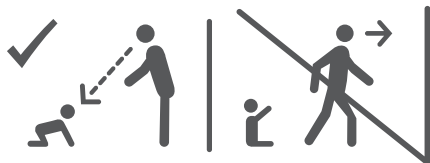
IKKE bruk tilbehør som ikke er godkjent av produsenten.

Det er farlig å bruke dette setet på høye plasseringer, som for eksempel bord.

La ALDRI barnet være uten tilsyn.

Dette setet er ikke ment for lengre soveperioder.

Dette setet erstatter ikke barneseng eller seng. Dersom barnet har behov for å sove, bør det legges i en egnet barneseng eller seng.



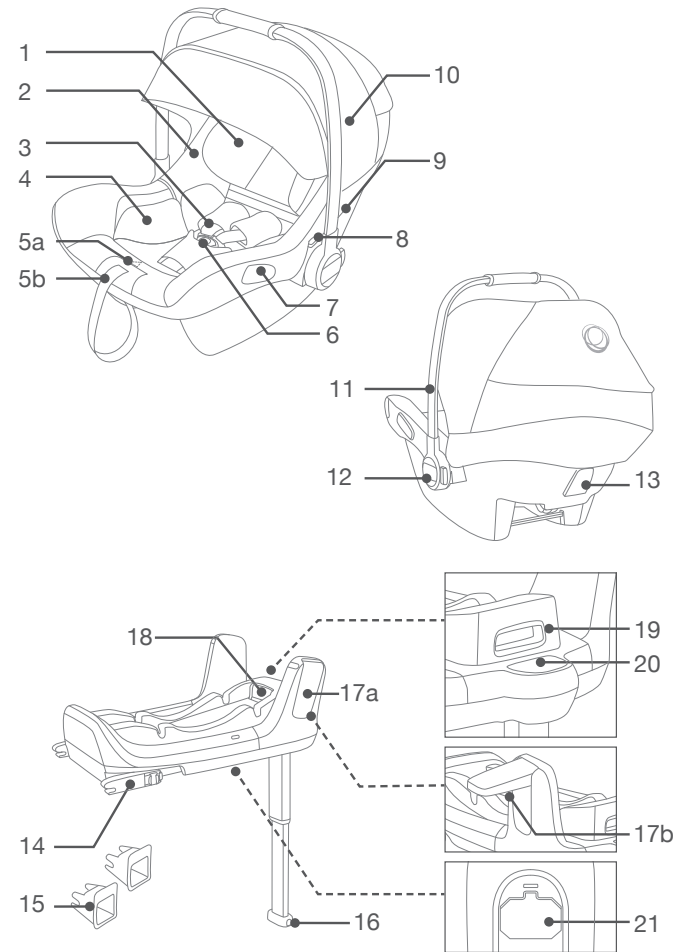
NO

NO

Deleliste

Forsikre deg om at alle deler er tilgjengelige før montering. Babystolmodulen og basen kan kjøpes separat. Hvis en del mangler, kan du ta kontakt med Bugaboo (se side 218 for informasjon). Verktøy er ikke nødvendig for montering.

- | | | | |
|----|-------------------------------|-----|---|
| 1 | Hodestøtte | 14 | ISOFIX-tilkobling |
| 2 | Setepute | 15 | ISOFIX-føringer |
| 3 | Skuldrelelens stropper | 16 | Justeringsknapp for støtteben |
| 4 | Babyinnlegg | 17a | Sidekollisjonsvernvinger |
| 5a | Justeringsknapp for seler | 17b | Knapp for tilbakefolding av vingen |
| 5b | Justeringsbånd | 18 | ISOFIX-justeringsknapp |
| 6 | Sikkerhetsspenne | 19 | Babystolmodulens utløsningsknapp |
| 7 | Sideføringer | 20 | Støttebenindikator |
| 8 | Utløsningsknapp for barnevogn | 21 | Oppbevaringsrom for instruksjonshåndboken |
| 9 | Kalesjebrakett | | |
| 10 | Kalesje | | |
| 11 | Håndtak | | |
| 12 | Håndtaksknapp | | |
| 13 | Bakføring | | |



Bruk av produkt

Monteringsaspekter

Denne babystolmodulen er egnet for bilseter med i-Size ISOFIX-forankringspunkter med base. (1)

IKKE bruk det bakovervendte forbedrede barne sikringssystemet i seteposisjoner med en aktiv kollisjonspute foran montert. Dødsfall eller alvorlige skader kan opptre. (2) Se kjøretøyeierens håndbok for mer informasjon.

IKKE monter dette forbedrede barnesikringsutstyret på bil seter som peker til siden eller bakover i forhold til kjøretøyets kjøreretning. (3)

Det anbefales å montere dette forbedrede barne sikringssystemet på kjøretøyets baksete. (4)

IKKE monter dette forbedrede barnesikringsutstyret på bilseter som beveges under montering.

Justering av håndtak

- 1 Håndtaket til babystolmodulen kan justeres i 3 stillinger. (5) Babystolstilling. (5)-1 Stilling for plassering av baby i stolen. (5)-2 Stilling for bil-, hånd- eller barnevogntransport. (5)-3
- 2 For å justere håndtaket, trykk på håndtakets knapper på begge sider for å løse det ut. (6)-1
- 3 Roter håndtaket til det klikker på plass i én av de tre stillingene. (6)-2

Montering med base

- 1 Fold ut støttebenet fra oppbevaringsrommet. (7)
- 2 Plasser ISOFIX-føringene med ISOFIX-forankringspunktene. (8) ISOFIX-føringene kan beskytte bilsetets overflate mot å rives opp. De kan også guide ISOFIX-tilkoblingene.
- 3 Trykk på ISOFIX-justeringsknappen for å justere ISOFIX-tilkoblingene. (9)
- 4 Still inn ISOFIX-tilkoblingene med ISOFIX-føringene og klikk så begge ISOFIX-tilkoblingene inn i ISOFIX-forankringspunktene. (10)
 - ⚠ Forsikre deg om at begge ISOFIX-tilkoblingene er sikkert festet til ISOFIX-forankringspunktene. Du skal høre to klikk og fargene på indikatorene på begge ISOFIX-tilkoblinger bør være helt grønne. (10)-1
 - ⚠ Kontroller at basen er sikkert montert ved å trekke i begge ISOFIX-tilkoblingene.
- 5 Når du har plassert basen på kjøretøyets sete, trekker du støttebena ned til gulvet (11). Når støttebenindikatoren er grønn, er den montert riktig. Rødt betyr at den ikke er montert riktig. (11)-2
 - ⚠ Støttebenet har 19 stillinger. Når støttebenindikatoren er rød, betyr det at støttebenet er i feil stilling.
 - ⚠ Kontroller at støttebenet står i full kontakt med kjøretøyets gulvplate.

- ⚠ Hvis du vil gjøre støttebenet kortere, trykker du på støttebenets utløsningsknapp og trekker støttebenet oppover. (11)-1 Den komplett monterte basen vises som i (12).
- ⚠ ISOFIX-tilkoblingene må være festet og låst til ISOFIX-forankringspunktene. (12)-1
- ⚠ Støttebenet må være montert riktig med den grønne indikatoren. (12)-2
- 6 Hvis du vil fjerne basen, trykker du på den sekundære låse knappen (13)-1 først og så på knappen (13)-2 på spenneforbindelsene før du fjerner basen fra kjøretøyets sete.
- 7 Trykk på ISOFIX-justeringsknappen for å folde sammen ISOFIX.
- 8 Trykk babystolmodulen ned i basen (14). Hvis det forbedrede barnesikringsutstyret er sikret, vil sidekollisjonsvernvingene være åpne og indikatoren for det forbedrede barnesikringsutstyret viser grønt. (15) Sidekollisjonsvernvingen som ikke er ved døren kan lukkes som vist i (16) når den ikke er i bruk.
- ⚠ Trekk i babystolmodulen for å forsikre deg om at den er sikkert festet til basen.
- 9 Hvis du vil løse ut babystolmodulen, trekker du det forbedrede barnesikringsutstyret oppover mens du trykker på babystolmodulens utløsningsknapp. (17)

Høydejustering

til hodestøtte og skuldere

Kontroller at skuldereleens stropper er stilt inn på riktig høyde. Velg riktig sporpar for skuldereleen i forhold til barnets høyde.

- ⚠ Skuldereleens stropper må ligge nærmest barnets skuldre (18), men ikke over skulder linjen. (19)
- ⚠ Hvis skuldereleens stropper ikke er stilt inn på riktig høyde, kan barnet kastes ut av det forbedrede barnesikringsutstyret ved kollisjon.

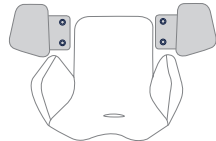
Trekk i hodestøttens justeringsspak (20), samtidig som du trekker hodestøtten oppover eller nedover inntil den klikker på plass i én av de 7 stillingene. Hode støttens stillinger vises som i (21).

Sikre barnet

Bruk babyinnlegg



Vi anbefaler bruk av hele baby innlegget når barnet er lavere enn 60 cm eller inntil barnet vokser ut av innlegget. Babyinnlegget øker sidekollisjonsbeskyttelsen.



Fjern sidevingene på babyinnlegget når babyens skuldre ikke lenger passer på en behagelig måte.

Når barnet settes i setet, må du kontrollere om skulderselens stropper har riktig høyde.

- 1 Trykk på selens justeringsknapp samtidig som du helt trekker i skulderselens to stropper i det forbedrede barnesikringsutstyret. (22)
 - 2 Åpne selens spenne ved å trykke på den røde knappen. (23)
 - 3 Plasser barnet i babystolmodulen og lukk spennen. (25) Se (24).
 - 4 Trekk til skulderselens stropper ved å trekke i justeringsbåndene. (26)
- !** Kontroller at avstanden mellom barnet og skulderselens stropper er like stor som tykkelsen på én hånd.

Kalesje

- 1 Flipp visiret ut fra under kalesjens front bue. (27)
- 2 Trekk ut det uttrekkbare smartvisiret fra mellom de to visirlagene. (28)
- 3 Fest magnetene i hvert hjørne til bilsetets front. (29)
- 4 Kikkhullet bak kan åpnes for ventilasjon. (30)
Hvis du vil folde tilbake kalesjen, vender du tilbake visiret under kalesjens frontbue og folder så det uttrekkbare smartvisiret under.

Avmontering og montering av myke deler

se bilder (31)–(40)

For å sette sammen de myke delene på nytt, utfører du tidligere nevnte trinn i motsatt rekkefølge.

Montering uten base

- 1 IKKE monter babystolmodulen på bilseter med magebelter. (41)
- 2 Denne babystolmodulen er kun egnet for bil seter med kontraherende trepunkts sikkerhetsbelte (uten base). (42)
- 3 Plasser babystolmodulen på bil setet du vil ha det på. Trekk ut sikkerhetsbeltet, lukk det i kjøretøyets spenne og trekk kjøretøyets magebelte inn i babystolmodulens sideføring. (43)

! Babystolmodulen kan ikke brukes hvis sikkerhetsbeltets spenne (beltelåsen) er for lang til å forankre babystolmodulen på en trygg måte. (43)-1

4 Trekk det diagonale beltet inn i bakføringen. (44)

5 Trekk i kjøretøyets skulderbelte for å feste baby stolmodulen stramt og sikkert. (45)

6 Babystolmodulens vaterlinje må være parallell med bakken mens babystolmodulen monteres. (46)

! Strekk bilbeltet så mye som mulig for å forsikre deg om at det ikke er løst eller vridd.

! Når du har montert babystolmodulen, må du alltid kontrollere at bilbeltene er lagt riktig og er trygt festet til kjøretøyspennen. (47)

Montering på fly

! Vær oppmerksom på at barnets sikkerhet ikke kan garanteres hvis monterings- og intruksjonshåndboken ikke følges.

! Vær oppmerksom på at babystolmodulen monteres på en annen måte på et flysete enn på et bilsete.

! Vær oppmerksom på at topunkts magebelte-tilbehøret kun er tillatt på fly.

! Vær oppmerksom på at babystolmodulen må forbli fastspent med belte på flysetet selv når den ikke er i bruk.

! Vær oppmerksom på at babystolmodulen bare skal brukes i et flysete som er godkjent av flyselskapet.

! Advarsler om å ikke bruke babystolmodulen i områder med aktive kollisjonsputer. (2)

! Vær oppmerksom på at den bakovervendte babystolmodulen bare skal monteres på fly seter som peker framover. (48)

Hvordan du monterer babystolmodulen med fly setets sikkerhetsbelte:

1 Plasser babystolmodulen på flysetet i motsatt retning av flyretningen.

2 Kontroller at bærehåndtaket er i øverste stilling.

3 Plasser sikkerhetsbeltet i begge belteføringer.

4 Lukk sikkerhetsbeltet (se flyselskapets sikkerhets instruksjoner).

5 Trekk til sikkerhetsbeltet ved å trekke i beltets ende. (49)

! Sikkerhetsbeltets spenne må aldri ligge innenfor de mørkegrønne belteføringene. (50)

Fjerning:

Åpne flysetets sikkerhetsbelte (se flyselskapets sikkerhetsinstruksjoner). Nå kan du fjerne babystolmodulen fra flysetet.

Rengjøring og vedlikehold

Rengjør rammen, plastdeler og tekstiler med en fuktig klut, men ikke bruk skurende rengjøringsmidler eller blekemidler. Ikke bruk silikonsmøremidler siden disse tiltrekker seg smuss og skitt.

For langvarig bruk, pusser du dette produktet med en myk, absorberende klut etter å ha brukt det i regnvær.

Se vaskeetikettene som er festet i de myke delene for vaske- og tørkeinstruksjoner.

Det er vanlig at tekstiler endrer farge når de blir utsatt for sollys, og de viser ofte tegn på slitasje etter lange bruksperioder, selv ved normal bruk.

Av sikkerhetshensyn må du bare bruke originaldeler fra Bugaboo by Nuna.

Kontroller at alt fungerer som det skal jevnlig. Hvis deler er skadet, ødelagt eller mangler, må du slutte å bruke dette produktet.

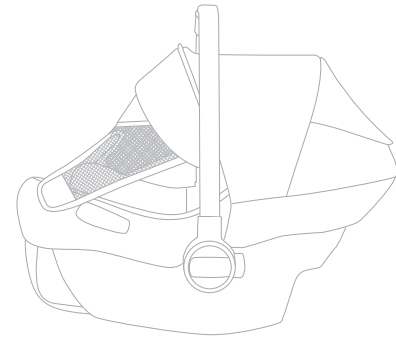
Informasjonen i dette dokumentet kan endres uten foregående varsel. Bugaboo International BV kan ikke holdes ansvarlig for tekniske feil eller utelatelser. Det kjøpte produktet kan variere fra produktet som er beskrevet i denne brukerveiledningen. Du kan be om å få tilsendt våre nyeste brukerveiledninger av serviceavdelingen eller på www.bugaboo.com. © 2019 Bugaboo International BV. BUGABOO, BUGABOO CAMELEON, BUGABOO BEE, BUGABOO DONKEY, BUGABOO FOX, BUGABOO TURTLE, BUGABOO ANT, BUGABOO LYNX, BUGABOO STARDUST og Bugaboo-logoene er registrerte varemerker. Bugaboo® -barnevogner er patentert og designbeskyttet. © NUNA International B.V. Nuna og alle tilhørende logoer er varemerker.

IMG-0119F-2



NUNA

Bugaboo child restraint in
collaboration with Nuna



Bugaboo International BV

Paasheuvelweg 9 a-b
1105BE Amsterdam zuidoost
The Netherlands

NUNA International BV

Van der Valk Boumanweg 178 C
2352JD Leiderdorp
The Netherlands

10049699 UG Bugaboo Turtle Air by Nuna emea rv003 inv4

www.bugaboo.com

meet your bugaboo turtle air
by Nuna

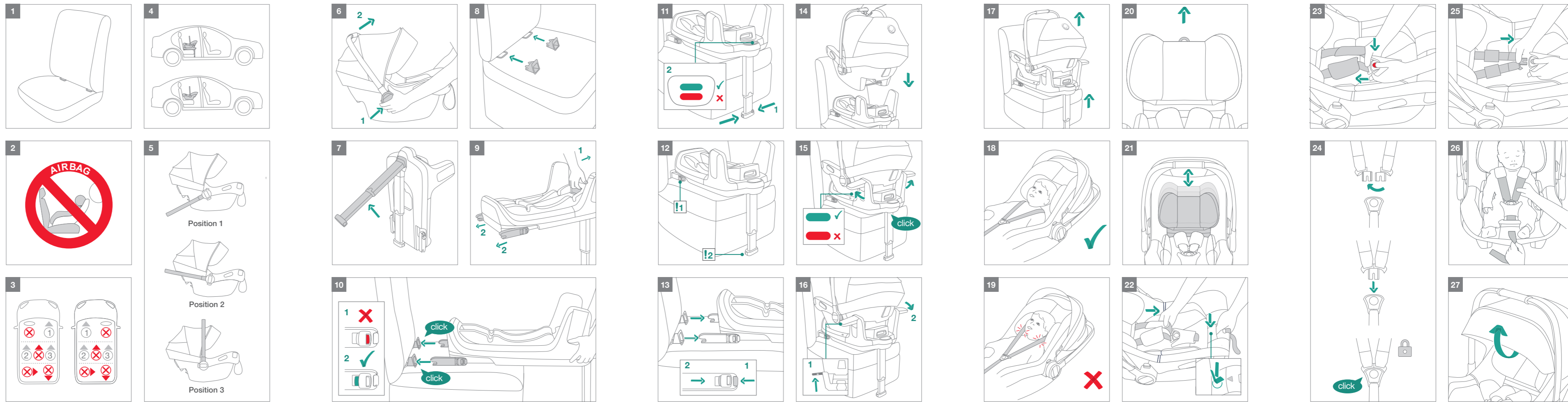
bugaboo

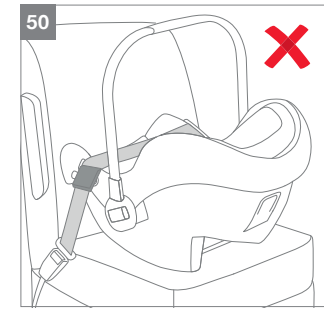
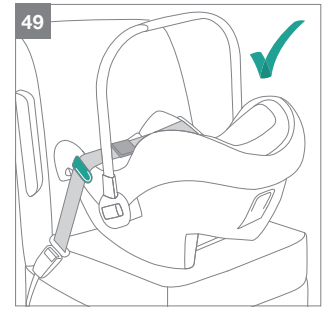
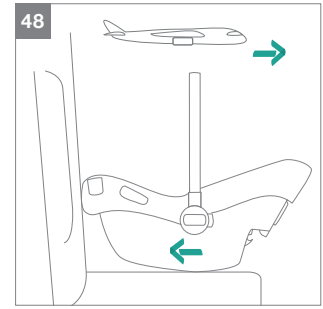
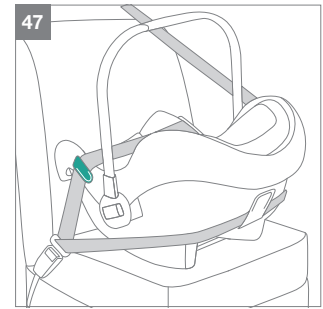
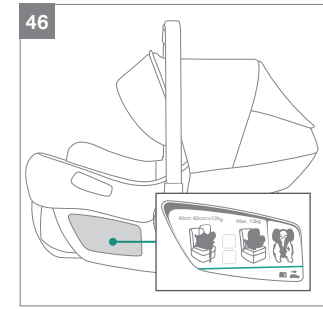
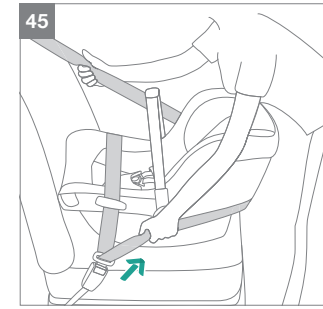
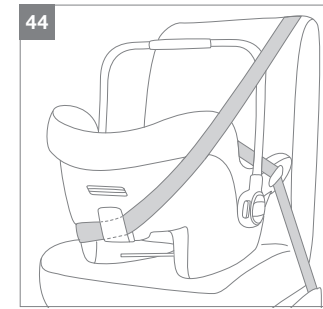
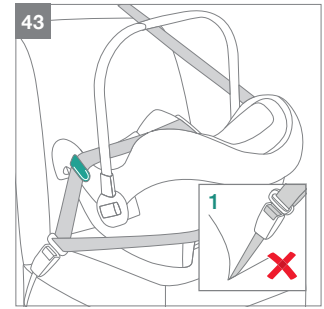
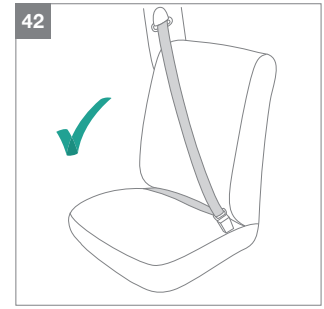
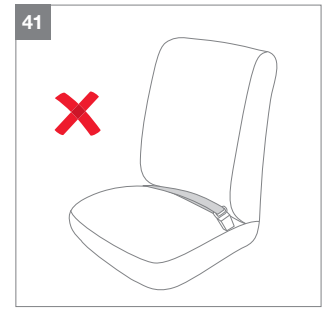
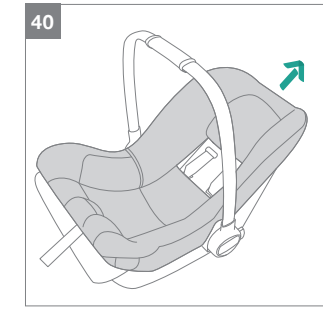
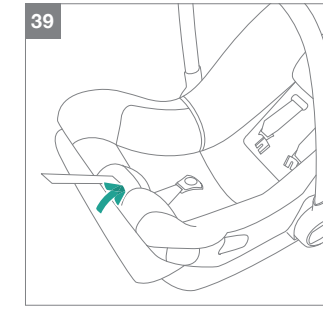
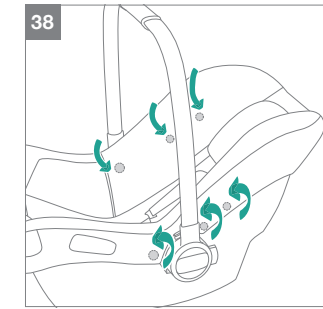
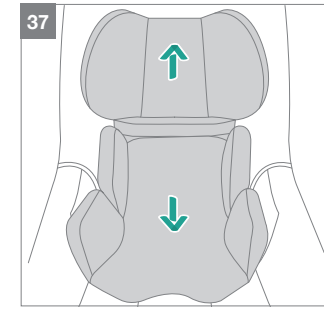
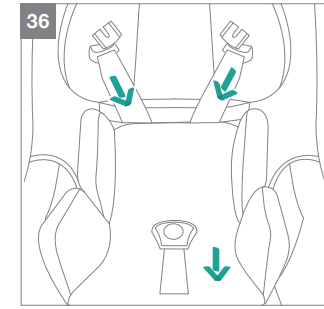
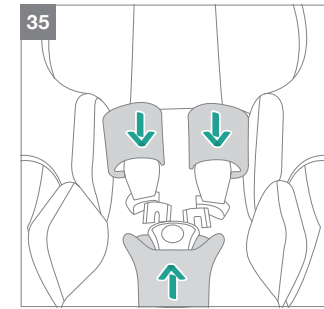
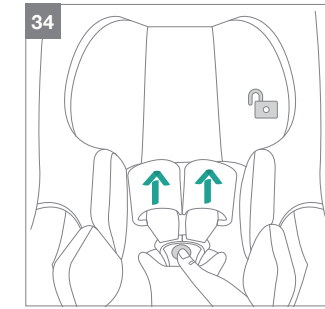
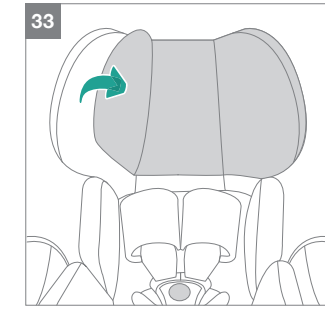
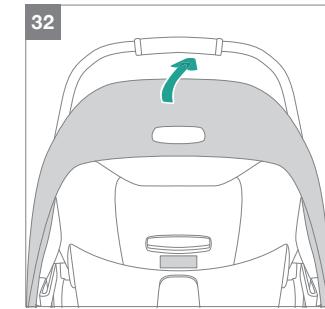
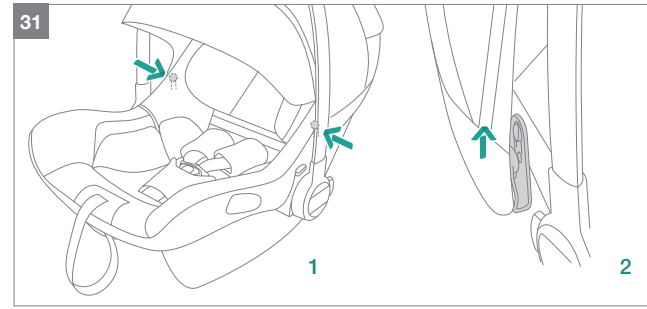
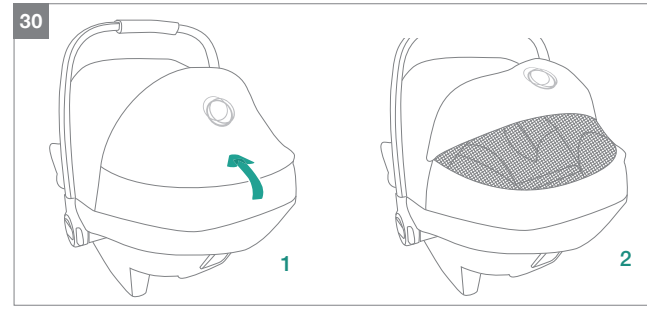
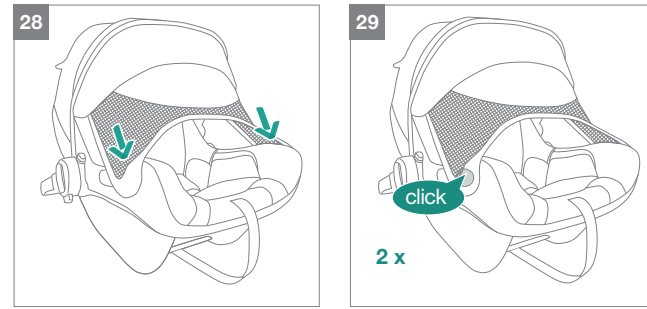
nothing like a Bugaboo

when used with additional Bugaboo adapters for designated Bugaboo strollers, compatible with:



Bugaboo Turtle Air by Nuna is based on the Nuna PIPA next model





VIKTIGT!
BEHÅLL DESSA
INSTRUKTIONER FÖR
FRAMTIDA REFERENS:
LÄS NOGGRANT

Innehåll	
Produktinformation	4
Produktregistrering	4
Kundservice	4
Krav vid användning med barn	5
För användning med bas	6
Varningar	7
Lista över delar	12
Produktanvändning	14
Rengöring och underhåll	22
Svenska (SV)	2
Русский (RU)	24
Português (PT)	48
Polisch (PL)	72
Íslensku (IS)	96
ქართული (KA)	118
Čeština (CS)	142
Hrvatski (HR)	166
עברית (HE)	190

Produktinformation

Modellnummer: _____

Tillverkad (datum): _____

Produktregistrering

Var vänlig fyll i ovanstående information. Modellnummer och tillverkningsdatum är placerade under Bugaboo Turtle Air by Nuna.

För att registrera din produkt besök:
<https://service.bugaboo.com/ProductRegistrationForm>

Nuna har utvecklat och tillverkat denna produkt för att uppfylla de höga kvalitetsstandarderna för Nuna och Bugaboo. Ha inköpsbeviset, modellnummer och tillverkningsdatum tillhands vid kontakt gällande service. Bugaboo tar ditt samtal om Bugaboo Turtle Air by Nuna.

För garantiinformation gällande denna Bugaboo Turtle Air by Nuna besök: www.bugaboo.com/warranty

Kundservice

Om du har en fråga kanske du kan hitta svaret på vår webbplats www.bugaboo.com. Om du behöver kontakta vårt internationella serviceteam blir vi alltid glada att höra från dig! Vi är tillgängliga för att svara på allafrågor, problem eller kommentarer du kan ha om våra produkter och tjänster. Tveka inte att kontakta oss. Din feedback hjälper oss att förbättra våra produkter och tjänster ytterligare.

Välj önskad kontaktmetod:

Telefon, +46-856642742

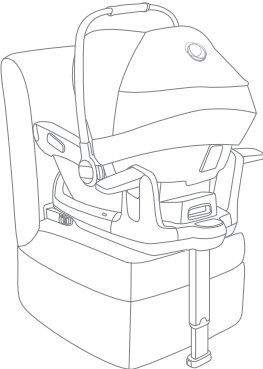
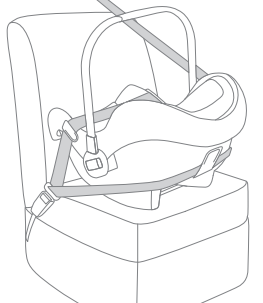
E-post, service.nordics@bugaboo.com

Kontaktformulär via bugaboo.com, www.bugaboo.com/support

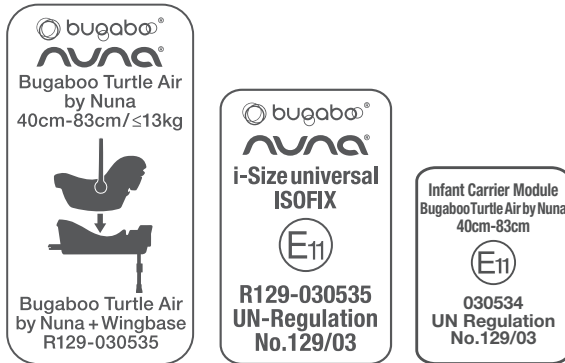
Twitter, @Bugaboo

Krav vid användning med barn

Denna produkt är lämplig för användning med barn som uppfyller följande krav:

Bild för montering	Lämplig för
	Barnets längd 40 cm–83 cm/ Barnets vikt ≤ 13 kg (cirka 15 månaders ålder eller lägre)
	Barnets längd 40 cm–83 cm/ Barnets vikt ≤ 13 kg Barnets ålder ≤ 15 månader

För användning med bas



- 1 "i-Size" (Integral Universal ISOFIX Enhanced ChildRestraint Systems) är en kategori av förstärkta barnskyddssystem som primärt har utformats för användning i alla i-Size-sätelägen i ett fordon.
- 2 Enligt FN:s förordning nr. 129 är förstärkt barnskydd med bas ett universellt ISOFIX förstärkt barnskydd och ska monteras med hjälp av ISOFIX-anslutningarna.
- 3 Detta är ett "i-Size" förstärkt barnskydds-system. Det är godkänt i enlighet med FN:s förordning nr. 129, för användning i i-Size-kompatibla fordonssäten enligt fordonstillverkarens användarhandbok.

- 4 Detta är ett bältesfixerat förstärkt barnskyddssystem. Det är godkänt i enlighet med FN:s förordning nr. 129, för användning i universella sättesfästen enligt fordonstillverkarens användarhandbok.
- 5 Om du är osäker rådfråga antingen tillverkaren eller återförsäljaren av systemet.

! VARNING

Om dessa varningar och instruktioner inte efterföljs kan detta resultera i allvarig skada eller dödsfall.

Alla remmar som håller fast bärmodulen för spädbarn i fordonet ska vara åtdragna, eventuella stödben ska ha kontakt med fordonets golv, och alla remmar som håller fast barnet ska vara justerade efter barnets kropp och remmarna ska inte vara vridna.

Bagage eller andra föremål som kan orsaka skador i händelse av en kollision måste säkras.

Säkerställ att barnstolen är monterad på ett sådant sätt att ingen del av den stör flyttbara säten eller användningen av fordonets dörrar.

Innan du bär bärmodulen för spädbarn för hand säkerställ att barnet sitter fastspänt med med barnbältet och att handtaget är korrekt låst i vertikalt läge.

Kontakta distributören för frågor angående underhåll, reparation och byte av delar.

Montering är endast tillåten med användning av ISOFIX-anslutningarna.

Kontrollera ISOFIX-guiderna regelbundet efter smuts och rengör dem vid behov. Tillförlitligheten kan påverkas av smuts, damm och matpartiklar etc.

Kontrollera innan du köper denna barnstol att den kan installeras korrekt i ditt fordon.

Håll denna barnstol borta från solljus om den saknar ett textilskydd, eftersom det kan vara för varmt för barns hud. Vidrör och kontrollera därför alltid barnstolen innan du placerar barnet i den.

För att kunna använda denna barnstol med ISOFIX-anslutningarna enligt FN:s förordning nr. 129 måste ditt barn uppfylla följande krav.

Barnets längd 40 cm–83 cm/Barnets vikt \leq 13 kg (cirka 15 månaders ålder eller lägre)

För att kunna använda denna barnstol med fordonets säkerhetsbälten måste ditt barn uppfylla följande krav.

Barnets längd 40 cm–83 cm

Barnets vikt \leq 13 kg/Barnets ålder \leq 15 månader.

Barnstolens stoppade delar ska inte bytas ut mot några andra än dem som rekommenderas av tillverkaren, eftersom de stoppade delarna är en integrerad del av skyddets prestanda.

För att undvika risken för fall ska du alltid säkra barnet med hjälp av barnbältena när barnet placeras i bärmodulen för spädbarn, även när barnstolen inte befinner sig i fordonet.

För att undvika allvarlig skada eller dödsfall ska du ALDRIG placera bärmodulen för spädbarn på en upphöjd plats med barnet i den.

Bärmodulens för spädbarns delar ska inte smörjas på något sätt.

Avlägsna denna barnstol och basen från fordonets säte när den inte regelbundet används.

Spänn ALLTID fast barnet i barnstolen, även vid korta resor, eftersom det ofta är då som olyckor sker.

Lämna ALDRIG ditt barn obevakat i denna barnstol.

Använd ALDRIG en begagnad barnstol eller en barnstol vars historik du inte känner eftersom den kan ha strukturella skador som kan äventyra ditt barns säkerhet.

Använd ALDRIG remmar eller andra ersättningar för att säkra barnstolen i fordonet eller för att säkra barnet i barnstolen.

INGEN barnstol kan garantera fullt skydd mot skador vid en olycka. Korrekt användning av denna barnstol kommer dock att reducera risken för allvarlig skada eller dödsfall.

ANVÄND INTE det bakåtvända barnstolssystemet i säten där det finns en aktiv krockkudde installerad. Detta kan orsaka dödsfall eller allvarliga skador. Se fordonstillverkarens handbok för mer information.

Placera INTE någon belastning på stödbensområdet framför basen.

ANVÄND INTE några kontaktpunkter för fastsättning än dem som beskrivs i instruktionerna och markeras på barnstolen.

FORTSÄTT INTE använda denna barnstol om den har varit utsatt för någon typ av kollision, även en mindre. Ersätt den omedelbart, eftersom det kan finnas osynliga, strukturella skador som uppstått vid kollisionen.

MONTERA INTE denna barnstol utan att följa instruktionerna i denna manual, detta kan orsaka allvarliga risker eller dödsfall.

GÖR INTE några modifieringar på denna barnstol eller använd den tillsammans med komponenter från någon annan tillverkare.

ANVÄND INTE barnstolssystemet utan de stoppade delarna.

ANVÄND INTE barnstolen om den har skador eller om delar saknas.

LÅT INTE ditt barn ha stora/överdimensionerade kläder på sig eftersom det kan förhindra att ditt barn sitter korrekt och säkert fastspänt med bältet över axlarna och mellan benen.

LÄMNA INTE kvar en lös barnstol eller andra lösa föremål i ditt fordon eftersom en lös barnstol kan kastas runt och skada passagerare vid en skarp kurva, plötsligt stopp eller en kollision.

PLACERA INTE något annat än de rekommenderade innerkuddarna i denna barnstol.



VARNING

Använda stolen som en tillbakalutad vagg

Använda stolen som en tillbakalutad vagg.

Använd alltid bältessystemet.

ANVÄND INTE stolen som en tillbakalutad vagg när ditt barn kan sitta upp utan hjälp.

ANVÄND INTE stolen om några delar är trasiga eller saknas.

ANVÄND INTE tillbehör eller reservdelar som inte har godkänts av tillverkaren.

Det är farligt att använda denna stol på en upphöjd yta, t.ex. ett bord.

LÄMNA ALDRIG barnet utan uppsikt.

Denna stol är inte lämplig för användning vid längre sovperioder.

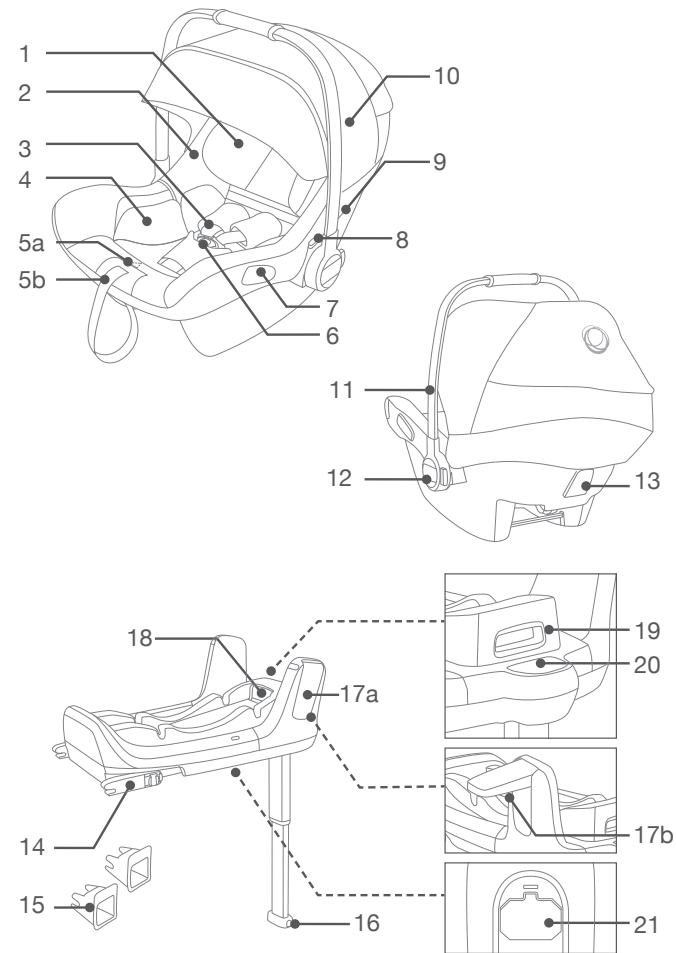
Denna stol ersätter inte en barnsäng eller en säng. Skulle ditt barn behöva sova ska det placeras i ena lämplig barnsäng eller säng.



Lista över delar

Säkerställ att alla delar finns innan monteringen. Bärmodulen för spädbarn och basen kan säljas separat. om några delar saknas kontakta Bugaboo (se sida 4 för information). Inga verktyg krävs för monteringen.

- | | | | |
|----|----------------------------|-----|---|
| 1 | Huvudstöd | 14 | ISOFIX-anslutning |
| 2 | Stolsdyna | 15 | ISOFIX-guider |
| 3 | Säkerhetsbälten | 16 | Justeringsknapp stödben |
| 4 | Spädbarninsats | 17a | Sidoskyddsvingar |
| 5a | Knapp för att justera sele | 17b | Knapp för att fälla tillbaka "vingen" |
| 5b | Justeringsband | 18 | ISOFIX-justeringsknapp |
| 6 | Bältesspänne | 19 | Frigöringsknapp bärmodulen för spädbarn |
| 7 | Sidoguiden | 20 | Benstödsindikator |
| 8 | Frigöringsknapp barnvagn | 21 | Förvaringsfack instruktionsmanual |
| 9 | Visirfäste | | |
| 10 | Visir | | |
| 11 | Handtag | | |
| 12 | Handtagsknapp | | |
| 13 | Bakre guide | | |



Produktanvändning

Montering

Denna bärmodul för spädbarn är lämplig för fordonssäten med i-Size ISOFIX-förankringspunkter tillsammans med basen. (1)

ANVÄND INTE det bakåtvända barnstolssystemet i säten där det finns en aktiv krockkudde installerad. Detta kan orsaka dödsfall eller allvarliga skador.(2) Se fordonstillverkarens handbok för mer information.

MONTERA INTE detta förstärkta barnskydd på fordonssäten som är vända åt sidan eller bakåt i förhållande till fordonets färdriktning. (3)

Det rekommenderas att montera detta förstärkta barnskydd i fordonets baksäte. (4)

MONTERA INTE detta förstärkta barnskydd på fordonssäten som kan röra sig under monteringen.

Handtagsjustering

- 1 Handtaget på bärmodulen för spädbarn kan justeras i 3 lägen. (5)
Babystolsläge. (5)-1
Läge för att placera barnet i stolen. (5)-2
Läge för transport i bil, för hand eller i barnvagn. (5)-3
- 2 För att justera handtaget, tryck på handtagsknapparna på bägge sidor. (6)-1
- 3 Rotera handtaget tills det klickar fast in någon av de 3 lägena. (6)-2

Montering med bas

- 1 Vik ut stödbenet från förvaringsfacket. (7)
 - 2 Sätt fast ISOFIX-guiderna med ISOFIX-förankrings- punkterna. (8) ISOFIX-guiderna kan skydda ytan på fordonssätet från att skadas. De kan även styra ISOFIXanslutningarna.
 - 3 Tryck på ISOFIX-justeringsknappen för att justera ISOFIX-anslutningarna. (9)
 - 4 Linjera ISOFIX-anslutningarna med ISOFIX-guiderna, och klicka därefter fast bägge ISOFIX-anslutningarna i ISOFIX-förankringspunkterna. (10)
-  Säkerställ att bägge ISOFIX-anslutningarna är säkert fastsatta i sina ISOFIX-förankringspunkter. Det ska höras två klick och färgerna i indikatorerna på de båda ISOFIX-anslutningarna ska vara helt gröna. (10)-1
-  Kontrollera att basen är korrekt installerad genom att dra i de båda ISOFIX-anslutningarna.
- 5 Efter att ha placerat basen på bilstolen, förläng stödbenet till golvet (11). När benstöds- indikatorn visar grönt betyder det en korrekt montering, rött betyder en felaktig montering. (11)-2
-  Stödbenet har 19 lägen. När benstöds- indikatorn visar rött betyder det att stödbenet är i fel läge.
-  Säkerställ att stödbenet har full kontakt med fordonets golv.

- ⚠ För att förkorta stödbenet tryck på stödbenets frigöringsknapp och dra benet uppåt. (11)-1 Den färdigmonterade basen visas i (12).
- ⚠ ISOFIX-anslutningarna måste fästas och låsas i ISOFIX-förankringspunkterna. (12)-1
- ⚠ Stödbenet måste monteras korrekt med grön indikator. (12)-2
- 6 För att avlägsna basen tryck på den sekundära lås- knappen (13)-1 först och sedan på knappen (13)-2 på spärranslutningarna innan basen tas bort från fordonssätet.
- 7 Tryck på ISOFIX-justeringsknappen för att fälla ihop ISOFIX.
- 8 Tryck ner bärmodulen för spädbarn ned i basen (14), om det förstärkta barnskyddet är säkrat kommer sidskyddsvingarna att öppnas och indikatorn att visa grönt. (15) Sidoskyddsvingen som är på motsatta sidan från dörren kan stängas enligt vad som visas i (16) när den inte används.
- ⚠ Lyft på bärmodulen för spädbarn för att säkerställa att den är säkert fastsatt i basen.
- 9 För att lyfta bärmodulen för spädbarn dra uppåt samtidigt som du trycker på bärmodulens för spädbarn frigöringsknapp. (17)

Höjdjustering

för huvudstöd och säkerhetsbälten

Kontrollera att säkerhetsbältena är inställda på lämplig höjd. Välj ett lämpligt par slitsar för säkerhetsbältena efter barnets höjd.

- ⚠ Bältet för axlarna måste vara närmast ditt barns axlar (18), men inte över axellinjen. (19)
- ⚠ Om säkerhetsbältena inte sitter på korrekt höjd kan barnet kastas ur bilstolen i händelse av en olycka.

Dra i justeringshandtaget för huvudstödet (20), under tiden som du drar upp eller trycker ned huvudstödet tills det klickar på plats i ett av de 7 lägena. Huvudstödet lägen visas i (21).

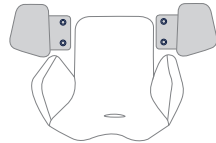
Sätta fast barnet

Använda spädbarninsats



Vi rekommenderar användningen av spädbarnsinsats när barnet är kortare än 60 cm eller tills det vuxit ur insatsen.

Spädbarnsinsatsen ökar sidoskyddets effekt.



Avlägsna "sidovingarna" från inlägget för spädbarn när barnets axlar inte längre passar bekvämt.

Kontrollera att säkerhetsbältet är på korrekt höjd efter att barnet har placerats i stolen.

- 1 Dra i de två bältena till stolen medan du trycker på bältesjusteringsknappen. (22)
- 2 Lås upp bältesspannet genom att trycka på den röda knappen. (23)
- 3 Placera barnet i bärmodulen för spädbarn och lås spannet. (25) Vänligen se (24).
- 4 Dra åt säkerhetsbältet vid axlarna genom att dra i justeringsbanden. (26)

! Se till att utrymmet mellan barnet och säkerhetsbältet är ungefär som en hands tjocklek.

Visir

- 1 Vänd ut visiret från under den främre visirbågen. (27)
- 2 Dra ut det smarta visiret från mellan de två lagren i visiret. (28)
- 3 Fäst magneterna i varje hörn framtill på bilsätet. (29)
- 4 Peek-a-boo på baksidan kan öppnas för ventilation. (30)
För att fälla tillbaka visiret, vänd först tillbaka visiret under den främre visirbågen och fäll sedan tillbaka det smarta visiret undertill.

Demontera och montera mjuk stoppning

se bilder (31)-(40)

För att montera tillbaka stoppningen utför stegen i motsatt ordning.

Montering utan bas

- 1 **INSTALLERA INTE** denna bärmodul för spädbarn på fordon med midjebälten. (41)
- 2 Denna bärmodul för spädbarn är endast lämplig för fordonssäten med 3-punkts säkerhetsbälten (utan bas). (42)

3 Placera bärmodulen för spädbarn på fordonssätet där du vill ha den. Dra ut bilens säkerhetsbälte och lås det i fordonets spänne, skjut bilens midjebälte genom sidoguiderna på bärmodulen för spädbarn. (43)

! Bärmodulen för spädbarn kan inte användas om spännet till fordonets säkerhetsbälte (isättningsspännet) är för långt för att förankra bärmodulen för spädbarn säkert. (43)-1

4 Dra det diagonala bältet genom den bakre guiden. (44)

5 Dra i fordonets diagonala bälte för att dra fast bärmodulen för spädbarn hårt och säkert. (45)

6 Bärmodulen för spädbarn måste vara parallell med marken när den är installerad. (46)

! Dra åt fordonets säkerhetsbälte så mycket som möjligt, kontrollera att det inte är löst eller vridet.

! Efter monteringen av modulen kontrollera alltid att säkerhetsbältet har dragits korrekt och att spännet sitter fast ordentligt. (47)

Montering i flygplan

! Observera att barnets säkerhet inte kan garanteras om installations- och bruksanvisningen inte efterföljs.

! Observera att monteringen av bärmodulen för spädbarn på ett flygplansäte skiljer sig från installationen på en bilstol.

! Observera att monteringen med 2-punkts midjebälte endast är tillåten i ett flygplan.

! Observera att bärmodulen för spädbarn måste vara fortsatt fastsatt på flygplanssätet även när den inte används.

! Observera att bärmodulen för spädbarn endast får användas på ett passagerarsäte som godkänts av flygbolaget.

! Bärmodulen för spädbarn får inte användas inom områden där krockkuddar är placerade. (2)

! Observera att den bakåtriktade bärmodulen för spädbarn endast ska användas på ett framåtriktat passagerarsäte. (48)

Montering av modulen med hjälp av flygplanssätets säkerhetsbälte:


1 Placera bärmodulen för spädbarn i motsatt riktning mot flygplanets färdriktning på passagerarsätet.

2 Säkerställ att bärhandtaget är i sin högsta position.

3 Placera säkerhetsbältet i bägge bältesguiderna.

4 Stäng säkerhetsbältet (efterfölj flygbolagets säkerhetsinstruktioner).

5 Dra åt säkerhetsbältet genom att dra i bältets ände. (49)

 Säkerhetsbältets spänne får under inga omständigheter ligga inom de mörkgröna bältesguiderna. (50)

Borttagning:

Öppna passagerarsätets säkerhetsbälte (efterfölj flygbolagets säkerhetsinstruktioner). Nu kan du lyfta ur bärmodulen för spädbarn.

Rengöring och underhåll

Rengör ramen, plastdelarna och tyget med en fuktig duk, men använd inte slipande eller blekande medel. Använd inte silikonsmörjmedel eftersom de kommer att samla smuts och damm.

Torka av produkten med en mjuk, absorberande trasa om den har använts i regnigt väder.

Se sköteetiketter som sitter på de stoppade delarna för instruktioner om tvätt och torkning.

Det är normalt att tyg bleks av solljus och uppvisar slitage efter en lång tids bruk, även när den används normalt.

Av säkerhetsskäl bör du bara använda original Bugaboo by Nuna delar.

Kontrollera regelbundet att allt fungerar korrekt. Om några delar är sönderrivna, trasiga eller saknas ska du sluta använda detta produkt.

Denna information kan ändras utan föregående meddelande. Bugaboo International BV är inte ansvariga för tekniska fel eller utelämnanden som finns i innehållet. Den köpta produkten kan skilja sig från produkten som beskrivs i den här användarmanualen. Våra senaste användarmanualer kan begäras från våra serviceavdelningar eller via www.bugaboo.com.

© 2019 Bugaboo International BV. BUGABOO, BUGABOO CAMELEON, BUGABOO BEE, BUGABOO DONKEY, BUGABOO FOX, BUGABOO TURTLE, BUGABOO ANT, BUGABOO LYNX, BUGABOO STARDUST samt Bugaboo-logotyperna är registrerade varumärken. Bugaboo® barnvagnar är patenterade och designskyddade.

© NUNA International B.V. Nuna och alla tillhörande logotyper är varumärken.

**ВАЖНО!
ВНИМАТЕЛЬНО
ИЗУЧИТЕ И
СОХРАНИТЕ ДАННОЕ
РУКОВОДСТВО ДЛЯ
ДАЛЬНЕЙШЕГО
ИСПОЛЬЗОВАНИЯ.**

Содержание

Информация об изделии	26
Регистрация изделия	26
Служба по работе с клиентами	26
Требования к росту и весу детей	27
Использование кресла с базой	28
Внимание	30
Список деталей	36
Эксплуатация	38
Чистка и уход	46

Svenska (SV)	2
Русский (RU)	24
Português (PT)	48
Polisch (PL)	72
Íslensku (IS)	96
ქართული (KA)	118
Čeština (CS)	142
Hrvatski (HR)	166
עברית (HE)	190

Информация об изделии

Номер модели: _____

Дата производства: _____

Регистрация изделия

Заполните вышеуказанные поля. Номер модели и дата производства указаны на этикетке Bugaboo Turtle Air by Nuna.

Чтобы зарегистрировать свое изделие, посетите сайт <https://service.bugaboo.com/ProductRegistrationForm>

Продукция разработана и произведена в соответствии с высочайшими стандартами качества, принятыми в компаниях Nuna и Bugaboo. При обращении в сервисный центр необходимо иметь кассовый чек и указать номер модели, а также дату производства. На вопросы о Bugaboo Turtle Air by Nuna вам ответит представитель компании Bugaboo.

Информация о гарантии Bugaboo Turtle Air by Nuna представлена на сайте <https://www.bugaboo.com/warranty>

Служба по работе с клиентами

Возможно, вы найдете ответ на свой вопрос на сайте www.bugaboo.com. Также вы можете обратиться в службу по работе с клиентами. Наши специалисты говорят на разных языках и будут рады вам помочь! Мы внимательно слушаем ваши вопросы, сомнения и комментарии о наших продуктах и услугах. Смело обращайтесь к нам. Ваше мнение поможет улучшить наши продукты и услуги.

Выберите подходящий для вас способ связи:

Телефон, +31-207189531

Электронная почта, service.ru@bugaboo.com

Форма обратной связи bugaboo.com,
www.bugaboo.com/support

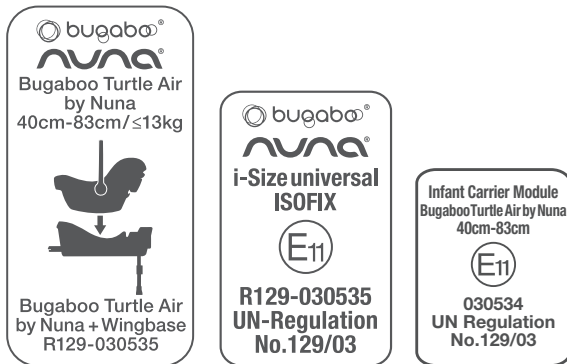
Twitter, @Bugaboo

Требования к росту и весу детей

Кресло предназначено для детей, чей рост и вес соответствуют следующим требованиям:

Вариант установки	Параметры ребенка
	<p>Рост 40-83 см/ Вес ≤13 кг (возраст примерно до 15 месяцев)</p>
	<p>Рост 40-83 см/ Вес ≤13 кг Возраст ≤15 месяцев</p>

Использование кресла с базой



- 1 i-Size (встроенные универсальные усовершенствованные детские удерживающие системы ISOFIX) — это категория детских автокресел, предназначенных в первую очередь для установки в автомобиле на всех посадочных местах согласно стандарту i-Size.
- 2 В соответствии с постановлением 129 Европейской экономической комиссии ООН автокресло с базой является универсальной усовершенствованной детской удерживающей системой ISOFIX и должно устанавливаться с использованием креплений ISOFIX.

- 3 Данная система отвечает стандарту i-Size и одобрена постановлением 129 Европейской экономической комиссии ООН для установки в автомобиле на посадочных местах согласно стандарту i-Size, как указано производителем автомобиля в руководстве по эксплуатации.
- 4 Эта усовершенствованная детская удерживающая система предназначена для использования со штатными ремнями безопасности любых автомобилей и одобрена постановлением 129 Европейской экономической комиссии ООН для установки в первую очередь на любом посадочном месте, как указано производителем автомобиля в руководстве по эксплуатации.
- 5 Если у вас возникнут вопросы, проконсультируйтесь с продавцом или производителем автокресла.

ВНИМАНИЕ

Несоблюдение данных указаний и инструкций может привести к серьезным травмам или смерти.

Все ремни, которыми автокресло крепится в автомобиле, должны быть натянуты, опорные стойки должны опираться на пол автомобиля, положение удерживающих ребенка ремней должно соответствовать физическим параметрам ребенка, ремни не должны быть перекручены.

Багаж, а также любые предметы, которые могут травмировать людей в случае ДТП, должны быть надежно закреплены.

Убедитесь, что автокресло установлено таким образом, чтобы ни одна его часть не мешала перемещению сидений или эксплуатации дверей автомобиля.

Прежде чем переносить автокресло в руках, убедитесь, что ребенок пристегнут ремнем безопасности, а ручка кресла правильно зафиксирована в вертикальном положении

По вопросам об уходе за креслом, ремонте и замене деталей обращайтесь к дистрибьютору.

Правильной считается установка кресла только с использованием креплений ISOFIX.

Регулярно проверяйте направляющие ISOFIX на наличие загрязнений и при необходимости очищайте их. Грязь, пыль и частицы пищи могут влиять на надежность креплений.

Прежде чем приобретать данное автокресло, убедитесь, что его можно правильно установить в вашем автомобиле.

Защищайте автокресло без текстильного чехла от воздействия солнечных лучей, чтобы ребенок не обжегся. Прежде чем поместить в автокресло ребенка, проверьте на ощупь температуру кресла.

В соответствии с постановлением 129 Европейской экономической комиссии ООН детское автокресло с креплениями ISOFIX может использоваться для детей со следующими параметрами.

Рост 40-83 см/вес ≤ 13 кг (возраст примерно до 15 месяцев).

Автокресло со штатным автомобильным ремнем безопасности может использоваться для детей со следующими параметрами.

Рост 40-83 см.

Вес ≤ 13 кг/возраст ≤ 15 месяцев.

Мягкие вставки автокресла не следует заменять какими-либо другими, кроме рекомендованных производителем, поскольку они являются неотъемлемой частью кресла и необходимы для его надлежащего функционирования.

Чтобы ребенок не упал, пристегивайте его ремнями безопасности в автокресле, даже если кресло находится не в автомобиле.

Во избежание серьезных травм или смерти **НИКОГДА** не ставьте автокресло на высокие предметы, если в кресле находится ребенок.

Детали этого автокресла ни в коем случае нельзя смазывать.

Если автокресло и база продолжительное время не используются, снимите их с автомобильного сиденья.

ВСЕГДА пристегивайте ребенка в автокресле даже во время кратковременных поездок, так как именно тогда происходит большинство несчастных случаев.

НИКОГДА не оставляйте ребенка в автокресле без присмотра.

НИКОГДА не используйте подержанное автокресло или автокресло, историю которого вы не знаете, поскольку они могут иметь повреждения конструкции, угрожающие безопасности вашего ребенка.

ЗАПРЕЩАЕТСЯ использовать веревки или любые другие заменители ремней для крепления автокресла или для фиксации ребенка в автокресле

НИКАКОЕ АВТОКРЕСЛО не может гарантировать полную защиту от травм в случае дорожно-транспортного происшествия. Тем не менее правильная эксплуатация кресла уменьшит риск серьезных травм или смерти ребенка.

ЗАПРЕЩАЕТСЯ устанавливать обращенное назад автокресло на сиденье, оборудованное активной фронтальной подушкой безопасности. Это может привести к серьезным травмам или смерти ребенка. Для получения дополнительной информации обратитесь к инструкции по эксплуатации автомобиля.

ЗАПРЕЩАЕТСЯ размещать любые предметы в районе опорной стойки перед базой.

РАЗРЕШАЕТСЯ использовать только те точки контакта, на которые приходится нагрузка, которые описаны в руководстве и отмечены на автокресле.

ЗАПРЕЩАЕТСЯ использовать автокресло после любого, даже незначительного, ДТП. В таком случае кресло необходимо заменить, поскольку оно может иметь незаметные повреждения конструкции.

ЗАПРЕЩАЕТСЯ устанавливать автокресло с нарушением инструкций, приведенных в данном руководстве, иначе вы можете подвергнуть своего ребенка серьезному риску получения травм или смерти.

ЗАПРЕЩАЕТСЯ вносить какие-либо изменения в конструкцию автокресла, а также использовать кресло с компонентами других производителей

НЕ ИСПОЛЬЗУЙТЕ автокресло без мягких вставок.

ЗАПРЕЩАЕТСЯ использовать автокресло в случае его повреждения или отсутствия деталей.

НЕ одевайте ребенка в слишком свободную одежду, поскольку она может помешать правильному и надежному креплению ребенка с помощью плечевых ремней и пахового ремня.

ЗАПРЕЩАЕТСЯ оставлять в автомобиле незакрепленное автокресло или другие предметы, поскольку они могут травмировать пассажиров при резком повороте, внезапной остановке или столкновении.

В автокресло ЗАПРЕЩАЕТСЯ вкладывать какие-либо предметы (за исключением рекомендованных амортизирующих вставок).



ВНИМАНИЕ

Использование автокресла в качестве наклонной колыбели

Использование автокресла в качестве наклонной колыбели.

Всегда используйте систему удерживающих ремней.

ЗАПРЕЩАЕТСЯ использовать автокресло в качестве наклонной колыбели, если ваш ребенок уже может сидеть без посторонней помощи.

ЗАПРЕЩЕНО использовать автокресло, если какие-либо компоненты сломаны или отсутствуют.

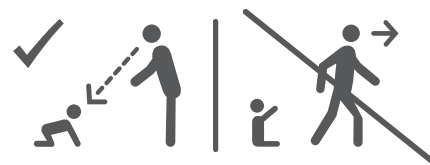
НЕ используйте принадлежности и запасные части, не разрешенные производителем.

Опасно использовать автокресло на возвышении, например на столе.

НИКОГДА не оставляйте ребенка без присмотра.

Автокресло не предназначено для длительного сна ребенка.

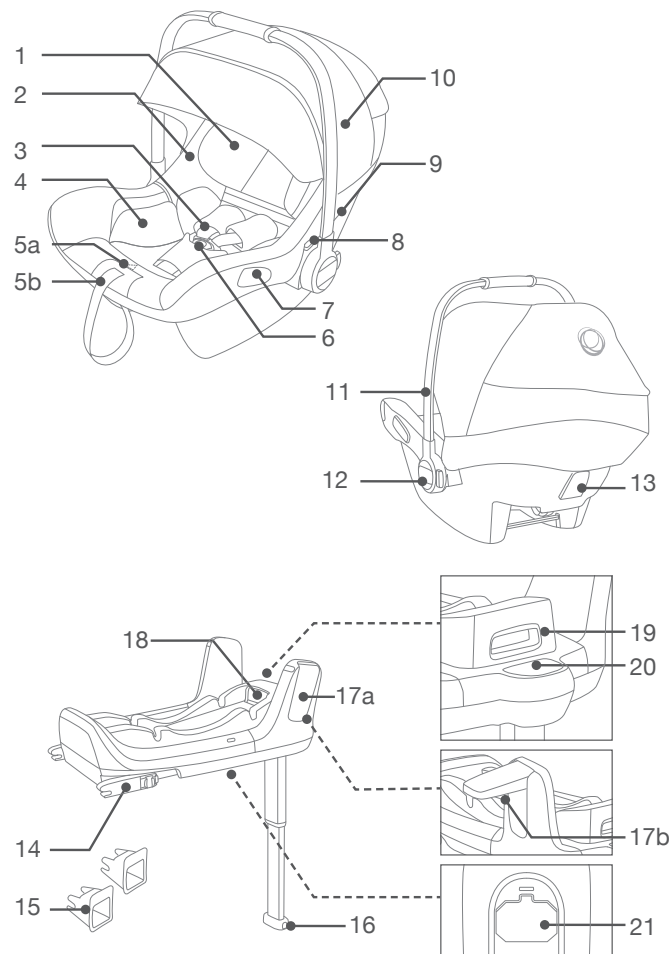
Автокресло не заменяет колыбель или кроватку. Если вашему малышу нужно поспать, положите его в подходящую колыбель или кроватку.



Список деталей

Перед сборкой убедитесь в наличии всех деталей. Автокресло и база приобретаются отдельно. В случае отсутствия какой-либо детали свяжитесь с компанией Bugaboo (см. контактную информацию на стр. 26). Сборка производится вручную, инструменты не требуются.

- | | | | |
|----|---------------------------------------|-----|--|
| 1 | Подголовник | 13 | Задняя направляющая |
| 2 | Съемное сиденье | 14 | Крепление ISOFIX |
| 3 | Плечевые ремни | 15 | Направляющие ISOFIX |
| 4 | Вставка для младенцев | 16 | Кнопка регулировки опорной стойки |
| 5a | Кнопка регулировки ремня безопасности | 17a | Боковины для защиты от боковых ударов |
| 5b | Регулировочная лямка | 17b | Кнопка раскладывания боковин |
| 6 | Замок ремней безопасности | 18 | Кнопка регулировки креплений ISOFIX |
| 7 | Боковые направляющие | 19 | Кнопка снятия автокресла |
| 8 | Кнопки разблокировки коляски | 20 | Индикатор опорной стойки |
| 9 | Крепление капюшона | 21 | Отделение для хранения руководства по эксплуатации |
| 10 | Капюшон | | |
| 11 | Ручка для переноски | | |
| 12 | Кнопка на ручке для переноски | | |



Эксплуатация

Особенности установки

Автокресло в сочетании с базой подходит для установки на автомобильных сиденьях с помощью анкерных скоб ISOFIX по стандарту i-Size. (1)

ЗАПРЕЩАЕТСЯ устанавливать обращенное назад автокресло на сиденье, оборудованное активной фронтальной подушкой безопасности. Это может привести к серьезным травмам или смерти ребенка. (2) Для получения дополнительной информации обратитесь к инструкции по эксплуатации автомобиля.

НЕ УСТАНОВЛИВАЙТЕ данное автокресло на сиденье автомобиля боком или назад по отношению к направлению движения автомобиля. (3)

Данное автокресло рекомендуется устанавливать на заднее пассажирское сиденье. (4)

НЕ УСТАНОВЛИВАЙТЕ данное автокресло на незакрепленное сиденье автомобиля.

Регулировка ручки

- 1 Ручка автокресла фиксируется в одном из трех положений. (5) Положение качания. (5)-1 Положение детского кресла. (5)-2 Положение для установки в автомобиле, на коляске или для переноски в руках. (5)-3

- 2 Для регулировки положения ручки нажмите кнопки по обеим сторонам кресла, чтобы разблокировать ручку. (6)-1
- 3 Поверните ручку, пока она не защелкнется в одном из трех положений. (6)-2

Установка с базой

- 1 Разложите опорную стойку, находящуюся в отсеке для хранения. (7)
 - 2 Вставьте направляющие ISOFIX в анкерные скобы ISOFIX. (8) Направляющие ISOFIX защищают поверхность автомобильного сиденья от разрывов и направляют крепления ISOFIX.
 - 3 Нажмите на кнопку регулировки креплений ISOFIX, чтобы отрегулировать положение креплений ISOFIX. (9)
 - 4 Совместите крепления ISOFIX с направляющими ISOFIX, а затем защелкните оба крепления ISOFIX на скобах ISOFIX. (10)
- !** Убедитесь, что оба крепления ISOFIX надежно зафиксированы на соответствующих скобах ISOFIX. Вы должны услышать два щелчка, при этом индикаторы на обоих креплениях ISOFIX должны стать полностью зелеными. (10)-1
- !** Убедитесь, что база надежно установлена, потянув за оба крепления ISOFIX.

- 5 Поставив базу на сиденье автомобиля, выдвиньте опорную стойку на пол (11). Зеленый цвет индикатора опорной стойки означает правильную установку, а красный — неправильную. (11)-2
 - ⚠ Опорная стойка имеет 19 положений. Красный цвет индикатора означает, что выбрано неправильное положение.
 - ⚠ Убедитесь, что опорная стойка полностью опирается на пол автомобиля.
 - ⚠ Чтобы укоротить стойку, нажмите кнопку ее фиксатора и потяните стойку вверх. (11)-1 Полностью собранная база представлена на рис. (12).
 - ⚠ Крепления ISOFIX должны быть зафиксированы на анкерных скобах ISOFIX. (12)-1
 - ⚠ Правильность установки опорной стойки должна быть подтверждена зеленым цветом индикатора. (12)-2
- 6 Чтобы снять базу с автомобильного сиденья, сначала нажмите кнопку дополнительной блокировки (13)-1, а затем кнопку (13)-2 на защелкивающихся креплениях.
- 7 Нажмите кнопку регулировки креплений ISOFIX, чтобы сложить их.
- 8 Вставьте автокресло в базу (14). Правильная, надежная установка автокресла подтверждается открытием боковин для

защиты от боковых ударов и зеленым цветом индикатора. (15) Неиспользуемую боковину для защиты от боковых ударов, расположенную дальше от двери автомобиля, можно закрыть, как показано на рис. (16).

- ⚠ Потяните автокресло вверх, чтобы убедиться, что оно надежно зафиксировано в базе.
- 9 Чтобы снять автокресло с базы, нажмите на кнопку разблокировки кресла и одновременно потяните кресло вверх.

Регулировка высоты

подголовника и плечевых ремней

Убедитесь, что плечевые ремни установлены на правильной высоте. Выберите нужную пару прорезей для плечевых ремней в соответствии с ростом ребенка.

- ⚠ Плечевые ремни должны входить в прорези, ближайšie к плечам ребенка (18), но не выше линии плеч. (19)
- ⚠ Если неправильно выбрать высоту расположения плечевых ремней, в случае аварии ребенок может выпасть из кресла.

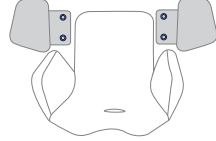
Потяните за рычаг регулировки подголовника (20) и одновременно потяните вверх или нажмите на подголовник, пока он не зафиксируется в одном из 7 положений. Положения подголовника показаны на рис. (21).

Пристегивание ребенка

Использование вставки для младенцев



Рекомендуется использовать вставку для младенцев, пока рост ребенка не достигнет 60 см или ребенок не перерастет вставку. Вставка для младенцев усиливает защиту от боковых ударов.



Уберите боковины вставки для тела, когда ребенку станет некомфортно.

Поместив ребенка в кресло, проверьте, чтобы плечевые ремни были установлены на правильной высоте.

- 1 Удерживая нажатой кнопку регулировки ремня, полностью вытяните оба плечевых ремня. (22)
 - 2 Откройте замок ремней безопасности, нажав на красную кнопку. (23)
 - 3 Поместите ребенка в автокресло и защелкните замок. (25) См. рис. (24).
 - 4 Плотнo затяните плечевые ремни, потянув за регулировочную лямку. (26)
- !** Между плечевыми ремнями и телом ребенка должна помещаться только ладонь.

Капюшон

- 1 Выдвиньте козырек из-под передней дуги капюшона. (27)
- 2 Достаньте выдвижную секцию из пространства между двумя слоями козырька. (28)
- 3 Пристегните магниты на каждом из ее углов к передней части автокресла. (29)
- 4 Сзади на капюшоне можно открыть сетчатое окошко для вентиляции. (30)
Чтобы сложить капюшон, задвиньте козырек под переднюю дугу капюшона, а затем сложите выдвижную секцию.

Снятие и установка мягких вставок

см. рисунки (31)-(40)

Повторная установка мягких вставок осуществляется в порядке, обратном вышеуказанному.

Установка без базы

- 1 **ЗАПРЕЩАЕТСЯ** устанавливать автокресло на автомобильные сиденья с поясным ремнем безопасности. (41)
- 2 Автокресло подходит только для автомобильных сидений, оснащенных трехточечным втягивающимся ремнем безопасности (без базы). (42)

- 3 Установите автокресло на сиденье в автомобиле. Вытяните штатный ремень безопасности и вставьте его в фиксирующий замок сиденья, пропустив поясной ремень автомобиля через боковые направляющие автокресла. (43)
- ⚠ Автокресло нельзя использовать, если замок ремня безопасности автомобиля выступает слишком далеко, чтобы надежно закрепить автокресло. (43)-1
- 4 Пропустите диагональный ремень через заднюю направляющую. (44)
- 5 Натяните плечевой ремень автомобиля, чтобы надежно закрепить автокресло. (45)
- 6 Индикатор уровня на базе с установленным креслом должен показывать горизонтальное положение (параллельное земле). (46)
- ⚠ Максимально натяните ремень безопасности автомобиля, убедившись, что он не ослаблен и не перекручен.
- ⚠ После установки автокресла обязательно проверяйте, чтобы ремни автомобиля были правильно проведены и надежно закреплены в замке. (47)

Установка в самолете

- ⚠ Обратите внимание, что безопасность ребенка не гарантируется в случае несоблюдения инструкции по установке и эксплуатации.
- ⚠ Установка автокресла в самолете отличается от установки в автомобиле.
- ⚠ Двухточечное крепление автокресла поясным ремнем разрешено только в самолете.
- ⚠ Автокресло должно оставаться пристегнутым к пассажирскому сиденью, даже когда в нем нет ребенка.
- ⚠ Автокресло предназначено для использования только на пассажирском сиденье, разрешенном авиакомпанией.
- ⚠ Предупреждения о запрете использования автокресла на сиденьях, оснащенных подушками безопасности. (2)
- ⚠ Обратите внимание, что автокресло, обращенное назад, должно устанавливаться только на пассажирских сиденьях, расположенных по направлению полета. (48)

Как закрепить автокресло с помощью ремня безопасности сиденья в самолете:

- 1 Поставьте автокресло на пассажирское сиденье в направлении, обратном направлению полета.
- 2 Убедитесь, что ручка для переноски автокресла находится в самом верхнем положении.

- 3 Пропустите ремень безопасности через обе направляющие на автокресле.
 - 4 Застегните ремень безопасности (см. инструкцию авиакомпании по технике безопасности).
 - 5 Затяните ремень безопасности, потянув за конец ремня. (49)
- !** Пряжка ремня ни в коем случае не должна находиться между темно-зеленых направляющих. (50)

Снятие автокресла

Расстегните ремень безопасности (см. инструкцию авиакомпании по технике безопасности). Теперь можно снять автокресло с сиденья.

Чистка и уход

Очищайте раму, пластмассовые детали и ткань влажной тканью, но не используйте абразивные материалы и отбеливатели. Не используйте силиконовые смазки, так как они притягивают пыль и грязь.

Чтобы обеспечить длительный срок службы, после использования изделия в дождливую погоду протирайте его мягкой впитывающей тканью.

Информация о стирке и сушке указана на этикетках, прикрепленных к мягким вставкам.

Изменение цвета ткани из-за воздействия солнечного света, а также износ вследствие длительного использования, даже при нормальном использовании изделия, является обычным явлением.

В целях безопасности используйте только оригинальные запасные части Bugaboo by Nuna.

Регулярно проверяйте изделие. Если какие-либо детали порваны, сломаны или отсутствуют, использование изделия следует прекратить.

Содержащаяся в данном документе информация может быть изменена без уведомления. Bugaboo International BV не несет ответственности за пропуски и ошибки технического характера. Приобретенное вами изделие может отличаться от описания в настоящем руководстве. Актуальную версию руководства можно получить в сервисном отделе или найти на сайте www.bugaboo.com. © 2019 Bugaboo International BV. BUGABOO, BUGABOO CAMELEON, BUGABOO BEE, BUGABOO DONKEY, BUGABOO FOX, BUGABOO TURTLE, BUGABOO ANT, BUGABOO LYNX, BUGABOO STARDUST и логотипы Bugaboo являются зарегистрированными товарными знаками. Коляски Bugaboo® запатентованы, их конструкция и дизайн охраняются законом. © NUNA International B.V. Nuna и все соответствующие логотипы являются товарными знаками.

**IMPORTANTE! GUARDE
ESTAS INSTRUÇÕES
PARA REFERÊNCIA
FUTURA:
LEIA COM ATENÇÃO**

Índice

Informação de produto	50
Registo de produto	50
Assistência ao cliente	50
Requisitos de utilização por crianças	51
Para usar com a base	52
Aviso	54
Lista de peças	60
Utilização do produto	62
Limpeza e manutenção	70
Svenska (SV)	2
Русский (RU)	24
Português (PT)	48
Polisch (PL)	72
Íslensku (IS)	96
ქართული (KA)	118
Čeština (CS)	142
Hrvatski (HR)	166
עברית (HE)	190

Informação de produto

Número do Modelo: _____

Fabricado em (data): _____

Registo de produto

Preencha por favor a informação acima. O número do modelo e fabricado em data estão localizados no fundo da Bugaboo Turtle Air by Nuna.

Para registar o seu produto por favor visite: <https://service.bugaboo.com/ProductRegistrationForm>

Nuna desenvolveu e fabricou expressamente este produto para ir ao encontro dos altos padrões de qualidade da Nuna e Bugaboo. Por favor tenha a informação sobre o comprovativo de compra, número do modelo e data de fabrico disponível quando contactar a assistência. A Bugaboo atenderá a sua chamada sobre a Bugaboo Turtle Air by Nuna.

Para informação sobre garantia deste Bugaboo Turtle Air by Nuna, por favor visite: www.bugaboo.com/warranty

Assistência ao cliente

Se tiver alguma questão poderá encontrar a resposta no nosso website www.bugaboo.com. Se necessitar de contactar a nossa equipa internacional de assistência, temos sempre prazer em ouvi-lo! Estamos disponíveis para responder a quaisquer questões, preocupações, ou comentários que possa ter em relação aos nossos produtos e serviços. Não hesite em contactar-nos. O seu feedback ajuda-nos a melhorar ainda mais os nossos produtos e serviços.

Escolha o seu método de contacto preferido:

Escolha o seu método de contacto preferido:

Telefone, +34-937622555 **E-mail**, service.es@bugaboo.com

Formulário de contacto via bugaboo.com,
www.bugaboo.com/support

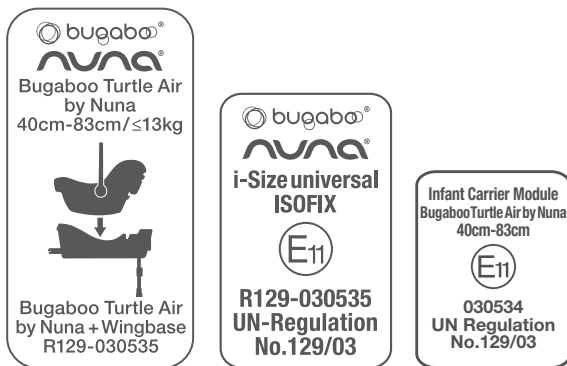
Twitter, @Bugaboo

Requisitos de utilização por crianças

Este produto é adequado para ser usado com crianças que cumpram os seguintes requisitos:

Imagem para instalação	Adequado para
	Altura da criança 40cm-83cm/ Peso da criança ≤13kg (aproximadamente 15 meses de idade ou menos)
	Altura da criança 40cm-83cm Peso da criança ≤13kg Idade da criança ≤15 meses

Para usar com a base



- 1 "i-Size" (Integral Universal ISOFIX Enhanced Child Restraint Systems) é uma categoria de Sistema de Retenção para Crianças Melhorado concebido primariamente para utilização em todas as posições i-Size de um veículo.
- 2 De acordo com a Regulamentação da ONU No. 129, a Retenção para Crianças Melhorada com base é uma Retenção para Crianças Melhorada ISOFIX Universal e deve ser usada usando as conexões ISOFIX.
- 3 Este é um Sistema de Retenção para Crianças Melhorado "i-Size". Foi aprovado de acordo com a Regulamentação da ONU No. 129, para usar numa posição num veículo compatível com i-Size conforme indicado pelos fabricantes de veículos no manual de utilizador do veículo.

- 4 Este é um Sistema Universal Melhorado de Retenção para Crianças com Cinto. Foi aprovado de acordo com a Regulamentação da ONU No. 129, para usar primariamente em posições de sentar universais como indicado pelos fabricantes dos veículos no manual de utilizador do veículo.
- 5 Em caso de dúvida, consulte ou o fabricante do Sistema de Retenção para crianças ou o retalhista.

AVISO

O não seguimento destes avisos e instruções pode provocar ferimentos sérios ou morte.

Todas as correias que fixem o módulo de transporte da criança no veículo devem estar apertadas, a perna de apoio deve estar em contacto com o chão do veículo, quaisquer correias que prendam a criança devem estar ajustadas ao corpo da criança, e as correias não devem estar torcidas.

Qualquer bagagem ou outros objetos suscetíveis de provocar ferimentos na eventualidade de uma colisão devem estar presos adequadamente.

Certifique-se de que o sistema melhorado de retenção para crianças está instalado de tal forma que nenhuma parte interfere com os bancos amovíveis ou com a operação das portas do veículo.

Antes de transportar o módulo de transporte da criança à mão, assegure-se de que a criança está segura com o cinto, e que a asa está corretamente trancada na posição vertical.

Consulte o distribuidor sobre questões relativas à manutenção, reparação e substituição de peças.

A Instalação Correta só é permitida através da utilização dos conectores ISOFIX.

Verifique frequentemente se as guias ISOFIX têm sujidade e limpe-as se necessário. A fiabilidade pode ser afetada pela entrada de sujidade, poeira, pedaços de comida, etc.

Verifique por favor antes de comprar este sistema melhorado de retenção para crianças se este pode ser instalado adequadamente no seu veículo.

Por favor mantenha este sistema melhorado de retenção para crianças sem uma capa têxtil afastado da luz solar, porque pode ficar demasiado quente para a pele da criança. Toque sempre no Sistema Melhorado de Retenção para Crianças antes de colocar a criança.

Para usar este sistema melhorado de retenção para crianças com as conexões ISOFIX de acordo com a Regulamentação da ONU No. 129, a sua criança deve cumprir os seguintes requisitos.

Altura da criança 40cm-83cm/Peso da criança \leq 13kg (aproximadamente 15 meses de idade ou menos)

Para usar este módulo de transporte de crianças com o cinto do veículo a sua criança deve cumprir os seguintes requisitos.

Altura da criança 40cm-83cm.

Peso da criança \leq 13kg/Idade da criança \leq 15 meses.

Os têxteis do sistema melhorado de retenção para crianças não devem ser substituídos por outros que não os recomendados pelo fabricante, porque os têxteis constituem uma parte integrante do desempenho de retenção.

Para evitar o risco de quedas, prenda sempre a criança usando o cinto quando a criança estiver no módulo de transporte de crianças, mesmo quando o sistema de retenção para crianças não estiver no veículo.

Para evitar ferimentos sérios ou morte, NUNCA coloque o módulo de transporte de crianças numa superfície elevada com a criança dentro.

As peças deste sistema melhorado de retenção para crianças não devem ser lubrificadas de maneira nenhuma.

Remova este módulo de transporte de crianças e a base do veículo quando não estiverem a ser usados regularmente.

Prenda SEMPRE a criança no sistema melhorado de retenção para crianças, mesmo em viagens curtas, visto que é nestas que a maioria dos acidentes ocorrem.

NUNCA deixe a sua criança sem vigilância com este sistema melhorado de retenção para crianças.

NUNCA use um sistema melhorado de retenção para crianças em segunda mão ou um sistema melhorado de retenção para crianças cujo histórico não conheça porque pode ter danos estruturais que ponham em risco a segurança da sua criança.

NUNCA use cordas ou quaisquer outros substitutos para prender o sistema melhorado de retenção para crianças ao veículo ou para prender a criança ao sistema melhorado de retenção para crianças.

NENHUM sistema melhorado de retenção para crianças pode garantir proteção total contra ferimentos num acidente. Contudo, uma utilização adequada deste sistema melhorado de retenção para crianças reduz o risco de ferimentos graves ou morte da sua criança.

NÃO use sistemas melhorados de retenção para crianças virados para trás em posições em que exista um airbag frontal ativo instalado. Pode ocorrer a morte ou ferimentos graves. Por favor consulte o manual de utilizador do veículo para mais informação.

NÃO coloque objetos na área da perna de apoio em frente da sua base.

NÃO use quaisquer pontos de contacto que suportem cargas a não ser os descritos nas instruções e marcados no sistema melhorado de retenção para crianças.

NÃO continue a usar este sistema melhorado de retenção para crianças após ter sofrido algum tipo de acidente, mesmo um pequeno. Substitua-o imediatamente uma vez que pode haver danos estruturais invisíveis resultantes do acidente.

NÃO instale este sistema melhorado de retenção para crianças sem seguir as instruções deste manual ou poderá pôr a sua criança em risco sério de ferimentos ou morte.

NÃO faça qualquer modificação a este sistema melhorado de retenção para crianças nem o use com peças e componentes de outros fabricantes.

NÃO use o sistema melhorado de restrição para crianças sem os têxteis.

NÃO use o sistema melhorado de restrição para crianças se este tiver peças danificadas ou em falta.

NÃO coloque a sua criança com roupas largas/ sobredimensionadas porque isso pode impedir que a criança esteja presa adequadamente e em segurança pelas correias de ombros e a correia entre-pernas.

NÃO deixe este sistema melhorado de retenção para crianças, ou outros itens sem cinto ou soltos no seu veículo porque um sistema de retenção solto pode ser projetado e ferir os ocupantes numa curva apertada, travagem brusca ou colisão.

NÃO coloque nada mais para além das almofadas interiores recomendadas neste sistema melhorado de retenção para crianças.

⚠️ AVISO

Usar a cadeira como um berço reclinado

Usar a cadeira como um berço reclinado.

Use sempre o sistema de retenção.

NÃO use a cadeira como um berço reclinado quando a sua criança se conseguir sentar sem ajuda.

NÃO use a cadeira se algum componente estiver partido ou em falta.

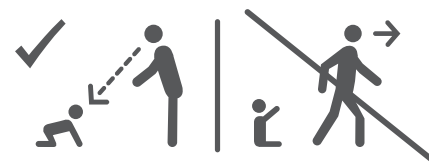
NÃO use acessórios ou peças de substituição que não os aprovados pelo fabricante.

É perigoso udar esta cadeira numa superfície elevada, por exemplo uma mesa.

NUNCA deixe a criança sem vigilância.

Esta cadeira não deve ser usada para períodos prolongados de sono.

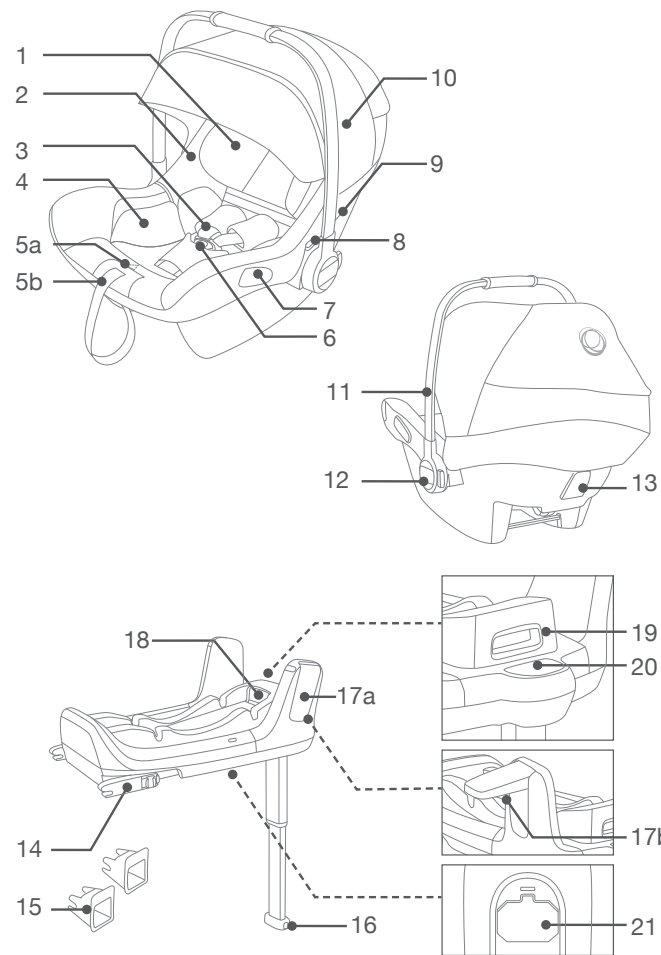
Esta cadeira não substitui uma alfofa ou cama. Se a sua criança precisar de dormir, deverá ser colocada numa alfofa ou cama adequada.



Lista de peças

Certifique-se de que tem todas as peças antes de montar. O módulo de transporte da criança e a base podem ser vendidos separadamente. Se faltar alguma peça, contacte por favor a Bugaboo (ver a página 50 para informações). Não são necessárias quaisquer ferramentas para a montagem.

- | | | | |
|----|---------------------------------|-----|--|
| 1 | Apoio da Cabeça | 14 | Conector ISOFIX |
| 2 | Almofada da Cadeira | 15 | Guias ISOFIX |
| 3 | Correias de Ombros do Cinto | 16 | Botão de Ajustamento da Perna de Apoio |
| 4 | Redutor | 17a | Abas de Proteção contra Impacto Lateral |
| 5a | Botão de Ajustamento do Cinto | 17b | Botão de Fecho da Aba de Proteção |
| 5b | Tira de Ajustamento | 18 | Botão de Ajustamento ISOFIX |
| 6 | Fivela de Segurança | 19 | Botão de Libertação do Módulo de Transporte da Criança |
| 7 | Guias Laterais | 20 | Indicador da Perna de Apoio |
| 8 | Botão de Libertação do Carrinho | 21 | Compartimento do Manual de Instruções |
| 9 | Estrutura da Capota | | |
| 10 | Capota | | |
| 11 | Asa | | |
| 12 | Botão da Asa | | |
| 13 | Guia Traseira | | |



Utilização do produto

Avisos da instalação

Este módulo de transporte de crianças é adequado para bancos de veículos com os pontos de ancoragem i-Size ISOFIX com a Base. (1)

NÃO use sistemas melhorados de retenção para crianças virados para trás em posições em que exista um airbag frontal ativo instalado. Pode ocorrer a morte ou ferimentos graves. (2) Por favor consulte o manual de utilizador do veículo para mais informação.

NÃO instale esta retenção para crianças melhorada em assentos de veículos virados de lado ou para trás relativamente à direção de marcha do veículo. (3)

Recomenda-se a instalação deste sistema melhorado de retenção para crianças no banco traseiro do veículo. (4)



NÃO instale este sistema melhorado de retenção para crianças em bancos do veículo amovíveis durante a instalação.

Ajustamento da asa

- 1 A asa do módulo de transporte de crianças pode ser ajustada em 3 posições. (5) Posição de cadeira de bebé. (5)-1 Posição para colocar o bebé na cadeira. (5)-2 Posição para transporte no carro, à mão ou no carrinho. (5)-3
- 2 Para ajustar a asa, pressione os botões da asa em ambos os lados para a libertar. (6)-1

- 3 Rode a asa até esta encaixar em qualquer uma das 3 posições. (6)-2

Instalação com a base

- 1 Retire e abra a perna de apoio a partir do seu compartimento. (7)
 - 2 Alinhe as guias ISOFIX com os pontos de ancoragem ISOFIX. (8) As guias ISOFIX podem proteger a superfície do banco do veículo de se rasgar. Também podem guiar os conectores ISOFIX.
 - 3 Pressione o Botão de Ajustamento ISOFIX para ajustar os conectores ISOFIX. (9)
 - 4 Alinhe os conectores ISOFIX com as guias ISOFIX, e em seguida encaixe os dois conectores ISOFIX nos pontos de ancoragem ISOFIX. (10)
-  Certifique-se de que ambos os conectores ISOFIX estão bem encaixados nos seus pontos de ancoragem ISOFIX. Deverá ouvir dois cliques e as cores dos indicadores em ambos os conectores ISOFIX deverão ficar completamente verdes. (10)-1
-  Certifique-se de que a base está bem instalada puxando ambos os conectores ISOFIX.
- 5 Após ter colocado a base no banco do veículo, estenda a perna de apoio até ao chão (11). Quando o indicador da perna de apoio ficar verde significa que esta foi instalada corretamente, se estiver vermelho significa de que foi instalada incorretamente. (11)-2

- ⚠ A perna de apoio tem 19 posições. Quando o indicador da perna de apoio estiver vermelho isto significa que a perna de apoio está na posição errada.
 - ⚠ Certifique-se de que a perna de apoio está em contacto total com o chão do veículo.
 - ⚠ Para encurtar a perna de apoio, aperte o botão de libertação da perna de apoio e empurre a perna para cima. (11)-1 A base completamente montada é apresentada em (12).
 - ⚠ Os conectores ISOFIX devem estar encaixados e trancados nos pontos de ancoragem ISOFIX. (12)-1
 - ⚠ A perna de apoio deve ser instalada correctamente com o indicador verde. (12)-2
- 6 Para remover a base, pressione o botão de fixação secundário (13)-1 primeiro e depois o botão (13)-2 nos conectores do trinco antes de remover a base do banco do veículo.
 - 7 Pressione o botão de ajustamento ISOFIX para fechar o ISOFIX.
 - 8 Pressione o módulo de transporte de crianças sobre a base (14), se o sistema melhorado de retenção para crianças estiver seguro, as abas de proteção contra impacto lateral abrem e o indicador do sistema melhorado de retenção para crianças fica verde. (15) A aba de proteção contra impacto lateral que está longe da porta pode ser fechada como se mostra em (16) quando não estiver a ser usada.

- ⚠ Puxe o módulo de transporte de crianças para cima para se certificar de que está trancado em segurança na base.
- 9 Para libertar o módulo de transporte de crianças, puxe o sistema melhorado de retenção para crianças ao mesmo tempo que pressiona o botão de libertação do módulo de transporte de crianças. (17)

Ajustamento da altura

para o apoio da cabeça e as correias de ombros

Certifique-se as Correias de Ombros do Cinto estão ajustadas na altura correta. Por favor escolha o par adequado de ranhuras para as correias de ombro de acordo com a altura da criança.

- ⚠ As Correias de Ombros do Cinto devem estar o mais perto dos ombros da sua criança (18), mas não acima da linha de ombros. (19)
- ⚠ Se as Correias de Ombros do Cinto não estiverem a uma altura adequada, a criança pode ser ejetada do sistema melhorado de retenção para crianças em caso de acidente.

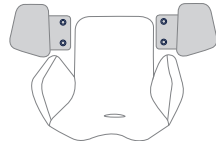
Puxe a alavanca de ajustamento do apoio da cabeça (20), entretanto puxe para cima ou empurre para baixo o apoio da cabeça até este encaixar em uma das 7 posições. As posições do apoio da cabeça são apresentadas na figura (21).

Prender a criança

Usar o redutor



Recomendamos a utilização do redutor completo enquanto a criança tiver menos de 60cm ou até crescer mais do que o redutor. O redutor aumenta a proteção contra impacto lateral.



Remova as abas laterais do redutor quando os ombros da criança já não couberem confortavelmente.

Após a criança estar colocada na cadeira, verifique se as Correias de Ombros do Cinto estão a uma altura adequada.

- 1 Enquanto pressiona o botão de ajustamento do cinto, puxe completamente as duas Correias de Ombros do Cinto para fora do sistema melhorado de retenção para crianças. (22)
- 2 Destranque a fivela dos cintos pressionando o botão vermelho. (23)
- 3 Coloque a criança no módulo de transporte de crianças e tranque a fivela. (25) Por favor veja o (24).
- 4 Aperte as correias de ombros puxando a tira de ajustamento. (26)

- !** Certifique-se de que o espaço entre a criança e as Correias de Ombros do Cinto tem a espessura de uma mão.

Capota

- 1 Vire para fora o visor de debaixo do arco frontal da capota. (27)
- 2 Puxe para fora o smart visor extensível de entre as duas camadas de visor. (28)
- 3 Fixe os ímãs em cada canto na parte da frente da cadeira auto. (29)
- 4 A Janela na parte de trás pode ser aberta para ventilação. (30)
Para dobrar a capota para trás, primeiro vire para trás o visor por baixo do arco frontal da capota e em seguida dobre para trás o smart visor extensível por baixo.

Retirar & montar têxteis

ver imagens (31)-(40)

Para voltar a montar os têxteis, reverte os passos mencionados atrás.

Instalação sem a base

- 1 NÃO instale este módulo de transporte de crianças em bancos de veículos com Cintos de Colo. (41)

2 Este módulo de transporte de crianças é adequado para bancos de veículos com um Cinto de Segurança de 3 pontos com Retrator (sem a Base) apenas. (42)

3 Coloque o módulo de transporte da criança no banco do veículo na posição desejada. Puxe o cinto de segurança do veículo para fora e prenda-o na fivela do veículo, fazendo deslizar o cinto de colo do veículo para as guias laterais do módulo de transporte de crianças. (43)

! O módulo de transporte de crianças não pode ser usado se a fivela do cinto de segurança do veículo (a peça fêmea da fivela) for demasiado longa para ancorar o módulo de transporte de crianças em segurança. (43)-1

4 Faça deslizar o cinto diagonal para a guia traseira. (44)

5 Puxe o cinto de ombro do veículo para apertar o módulo de transporte de crianças de forma segura. (45)

6 O módulo de transporte de crianças deve estar nivelado com o chão quando o módulo de transporte de crianças está instalado. (46)

! Aplique o máximo possível de tensão ao cinto de segurança, certificando-se de que não está lasso ou torcido.

! Após instalar o módulo de transporte de crianças, verifique sempre que os cintos do veículo estão na posição correta e bem apertados na fivela do veículo. (47)

Instalação em aviões

! Note que a segurança da criança, em casos de não cumprimento do manual de instalação e de instruções, não está garantida.

! Note que a instalação do módulo de transporte de crianças num banco de avião é diferente da instalação num banco de automóvel.

! Note que a fixação com um Cinto de Colo de 2 pontos só é permitida num avião.


! Note que o módulo de transporte de crianças deve permanecer preso ao banco do avião mesmo quando não estiver a ser usado.

! Note que o módulo de transporte de crianças só pode ser usado num banco de passageiro autorizado pela companhia aérea.

! Avisa-se a não usar o módulo de transporte de crianças na área de desdobramento de airbag. (2)

! Note que o módulo de transporte de crianças virado para trás apenas deve ser instalado num banco de passageiro virando para a frente. (48)

Como instalar o módulo de transporte de crianças usando o cinto de segurança do banco do avião:

- 1 Coloque o módulo de transporte de crianças na direção oposta à direção de voo no banco do passageiro.
 - 2 Assegure-se de que a asa está na posição mais para cima.
 - 3 Coloque o cinto de segurança em ambas as guias do cinto.
 - 4 Feche o cinto de segurança (use como referência as instruções de segurança da companhia aérea).
 - 5 Aperte o cinto de segurança puxando a extremidade do cinto. (49)
-  A fivela do cinto de segurança não deve em nenhuma circunstância ficar por baixo das guias do cinto verde escuras. (50)

Remoção:

Abra o cinto de segurança do banco do passageiro (use como referência as instruções de segurança da companhia aérea). Agora pode retirar o módulo de transporte de crianças do banco.

Limpeza e manutenção

Limpe a estrutura, as peças de plástico, e o tecido com um pano húmido, mas não use abrasivos ou lixívia. Não use lubrificantes à base de silicone uma vez que estes atraem sujidade.

Para assegurar a durabilidade, limpe este produto com um pano suave e absorvente depois de o usar à chuva.

Consulte as etiquetas que encontra nos têxteis para instruções de lavagem e secagem.

É normal que o tecido descolore com a luz do sol e que apresente sinais de desgaste após um longo período de utilização, mesmo quando usado normalmente.

Por razões de segurança, use apenas peças Bugaboo by Nuna originais.

Verifique regularmente se tudo funciona adequadamente. Se algumas peças estiverem estragadas, partidas ou em falta, pare de usar este produto.

A informação aqui contida está sujeita a alterações sem aviso. A Bugaboo International BV não é responsável por erros técnicos ou omissões neste guia. O produto adquirido pode ser diferente do produto descrito neste guia do utilizador. Os nossos guias de utilizador mais recentes podem ser pedidos nos nossos departamentos de assistência ou em www.bugaboo.com.

© 2019 Bugaboo International BV. BUGABOO, BUGABOO CAMELEON, BUGABOO BEE, BUGABOO DONKEY, BUGABOO FOX, BUGABOO TURTLE, BUGABOO ANT, BUGABOO LYNX, BUGABOO STARDUST e os logotipos Bugaboo são marcas registadas. Os carrinhos Bugaboo® são patenteados e o seu design é protegido.

© NUNA International B.V. Nuna e todos os logotipos associados são marcas registadas.

**UWAGA!
ZACHOWAJ
INSTRUKCJĘ DO
WYKORZYSTANIA W
PRZYSZŁOŚCI:
PRZECZYTAJ UWAŻNIE**

Spis treści

Informacje o produkcie	74
Rejestracja produktu	74
Obsługa klienta	74
Wymagania w zakresie użytkowania przez dziecko	75
Do stosowania z podstawą	76
Ostrzeżenia	77
Lista części	84
Użycie produktu	86
Czyszczenie i konserwacja	94

Svenska (SV)	2
Русский (RU)	24
Português (PT)	48
Polisch (PL)	72
Íslensku (IS)	96
ქართული (KA)	118
Čeština (CS)	142
Hrvatski (HR)	166
עברית (HE)	190

Informacje o produkcji

Numer modelu: _____

Wyprodukowano w (data): _____

Rejestracja produktu

Proszę podać powyższe informacje. Numer modelu i data produkcji znajdują się w dolnej części Bugaboo Turtle Air by Nuna.

Aby zarejestrować produkt odwiedź stronę internetową:
<https://service.bugaboo.com/ProductRegistrationForm>

Nuna zaprojektowała i wyprodukowała niniejszy produkt tak, aby spełniał on wysokie standardy jakościowe Nuna i Bugaboo. Jeżeli kontaktujesz się w sprawie usługi, prosimy przygotować dowód zakupu, numer modelu i datę produkcji. Połączenia telefoniczne na temat Bugaboo Turtle Air by Nuna odbiera Bugaboo.

Aby uzyskać informacje na temat gwarancji Bugaboo Turtle Air by Nuna, odwiedź stronę: www.bugaboo.com/warranty

Obsługa klienta

Jeśli masz pytanie być może znajdziesz odpowiedź na nie na naszej stronie internetowej www.bugaboo.com. Jeśli chcesz skontaktować się z naszym międzynarodowym zespołem serwisowym, pozostajemy do Twojej dyspozycji! Udzielimy odpowiedzi na wszelkie pytania, obawy lub komentarze, jakie mogą się pojawić odnośnie naszych produktów i usług. Skontaktuj się z nami. Twoja opinia pomoże nam w dalszej poprawie naszych produktów i usług.

Wybierz preferowaną metodę kontaktu:

Telefon, +31-207189531

E-mail, service@bugaboo.com

Formularz kontaktowy na bugaboo.com, www.bugaboo.com/support

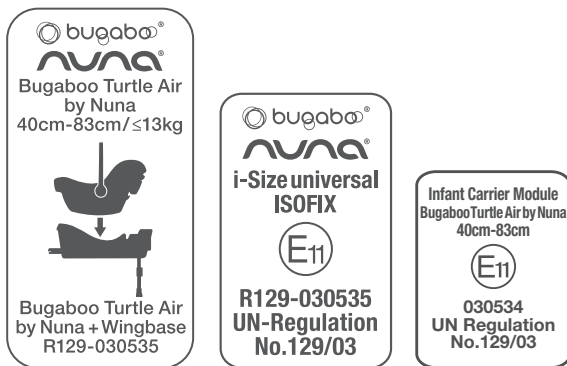
Twitter, @Bugaboo

Wymagania w zakresie użytkowania przez dziecko

Niniejszy produkt jest przeznaczony do użytkowania z udziałem dzieci, które spełniają następujące wymagania:

Pozycja do instalacji	Odpowiedni dla
	Wysokość dziecka 40 cm–83 cm/ Waga dziecka ≤ 13 kg (wiek około 15 miesięcy lub mniej)
	Wysokość dziecka 40 cm–83 cm Waga dziecka ≤ 13 kg Wiek dziecka ≤ 15 miesięcy

Do stosowania z podstawą



- 1 i-Size (Integralne uniwersalne ulepszone urządzenie przytrzymujące dla dzieci ISOFIX) jest kategorią ulepszonych urządzeń przytrzymujących dla dzieci przeznaczonych przede wszystkim do stosowania na wszystkich miejscach siedzących kategorii i-Size w pojeździe.
- 2 urządzenie przytrzymujące dla dzieci z podstawą jest uniwersalnym ulepszonym urządzeniem przytrzymującym dla dzieci ISOFIX i powinno być mocowane za pomocą przyłączy ISOFIX.
- 3 Niniejszy produkt jest ulepszonym urządzeniem przytrzymującym dla dzieci kategorii i-Size. Uzyskał on homologację zgodnie z Regulaminem nr 129 (EKG/ONZ) do stosowania na miejscach

siedzących w pojazdach kategorii i-Size wskazanych przez producentów pojazdów w instrukcji użytkownika pojazdu.

- 4 Jest to uniwersalne ulepszone urządzenie przytrzymujące dla dzieci wyposażone w pasy. Uzyskało ono homologację zgodnie z Regulaminem nr 129 (EKG/ONZ) do stosowania przede wszystkim na uniwersalnych miejscach siedzących wskazanych przez producentów pojazdu w instrukcji użytkownika pojazdu.
- 5 W razie jakichkolwiek wątpliwości skontaktuj się z producentem lub sprzedawcą ulepszonych urządzeń przytrzymującego dla dzieci.

OSTRZEŻENIE

Nieprzestrzeganie niniejszych ostrzeżeń i instrukcji może spowodować poważne obrażenia lub śmierć.

Wszelkie taśmy mocujące nosidełko dla niemowląt do pojazdu powinny być napięte, każdy nogę stabilizującą powinien być w kontakcie z podłogą pojazdu, wszelkie taśmy przytrzymujące dziecko powinny być dostosowane do ciała dziecka i taśmy nie powinny być skręcone.

W odpowiedni sposób zabezpiecz bagaż lub inne przedmioty mogące spowodować obrażenia w przypadku zderzenia.

Upewnij się, że ulepszone urządzenie przytrzymujące dla dzieci jest zainstalowane w taki sposób, że żadna część nie koliduje z ruchomymi siedzeniami lub drzwiami pojazdu.

Przed ręcznym przeniesieniem nosidełka dla niemowląt upewnij się, że dziecko jest zapięte w uprząż dla dziecka, a uchwyt jest prawidłowo zablokowany w pozycji pionowej.

Skonsultuj się z dystrybutorem w kwestiach dotyczących konserwacji, napraw i wymiany części.

Prawidłowa instalacja jest dozwolona wyłącznie przy użyciu przyłączy ISOFIX.

Sprawdzaj prowadnice ISOFIX pod kątem brudu i czyść je w razie potrzeby. Niezawodność może być zakłócona przez wnikanie brudu, pyłu, cząstek jedzenia itd.

Proszę sprawdzić ulepszone urządzenie przytrzymujące dla dzieci przed zakupem, aby upewnić się, że możliwa jest jego właściwa instalacja w Twoim samochodzie.

Proszę przechowywać ulepszone urządzenie przytrzymujące dla dzieci bez osłony tekstylnej z dala od światła słonecznego, gdyż może być zbyt gorące dla skóry dziecka. Zawsze dotknij ulepszone urządzenie przytrzymujące dla dzieci przed umieszczeniem w nim dziecka.

Aby korzystać z niniejszego ulepszonego urządzenia przytrzymującego dla dzieci z przyłączami ISOFIX zgodnie z Regulaminem nr 129 (EKG/ONZ), Twoje dziecko musi spełniać następujące wymagania.

Wysokość dziecka 40 cm–83 cm/Waga dziecka ≤ 13 kg (wiek około 15 miesięcy lub mniej).

Aby korzystać z tego nosidełka dla niemowląt z pasem pojazdu Twoje dziecko musi spełniać następujące wymagania.

Wysokość dziecka 40 cm–83 cm.

Waga dziecka ≤ 13 kg/Wiek dziecka ≤ 15 miesięcy.

Nie zastępuj tapicerki ulepszonego urządzenia przytrzymującego dla dzieci inną niż zalecona przez producenta, gdyż tapicerka stanowi integralną część urządzenia mającą wpływ na jego funkcjonowanie.

Aby uniknąć ryzyka wypadnięcia, zawsze zabezpieczaj dziecko przy użyciu uprząży dla dziecka, gdy dziecko jest umieszczone w nosidełku dla niemowląt, nawet wtedy, gdy ulepszone urządzenie przytrzymujące dla dzieci nie znajduje się w pojeździe.

Aby uniknąć poważnych obrażeń lub śmierci, **NIGDY** nie umieszczaj nosidełka dla niemowląt na podwyższonym siedzeniu z dzieckiem w środku.

Nie smaruj części ulepszonego urządzenia przytrzymującego dla dzieci .

Wyjmij niniejsze nosidełko dla niemowląt i podstawę z siedzenia pojazdu, gdy nie jest w regularnym użyciu.

ZAWSZE zabezpieczaj dziecko w ulepszonym urządzeniu przytrzymującym dla dzieci , nawet podczas krótkich przejazdów, ponieważ podczas nich dochodzi do większości wypadków.

NIGDY nie zostawiaj dziecka bez opieki w tym ulepszonym urządzeniu przytrzymującym dla dzieci.

NIGDY nie używaj używanego ulepszonego urządzenia przytrzymującego dla dzieci lub ulepszonego urządzenia przytrzymującego dla dzieci, którego historii nie znasz, ponieważ może ono mieć uszkodzenia strukturalne , przez które bezpieczeństwo Twojego dziecka może być zagrożone.

NIGDY nie używaj sznurów lub innych zamienników , aby zamocować ulepszone urządzenie przytrzymujące dla dzieci w pojeździe lub zabezpieczyć dziecko w ulepszonym urządzeniu przytrzymującym dla dzieci.

ŻADNE ulepszone urządzenie przytrzymujące dla dzieci nie może zagwarantować pełnej ochrony przed obrażeniami w wypadku. Jednakże prawidłowe korzystanie z tego ulepszonego urządzenia przytrzymującego dla dzieci zmniejsza ryzyko poważnych obrażeń lub śmierci dziecka.

W przypadku ulepszonych urządzeń przytrzymujących dla dzieci zwróconych tyłem do kierunku jazdy **NIE NALEŻY** używać ich na siedzeniach wyposażonych we włączone przednie poduszki powietrzne. Mogą wystąpić poważne obrażenia lub śmierć. Aby uzyskać więcej informacji przeczytaj instrukcję obsługi pojazdu.

NIE NALEŻY umieszczać żadnych przedmiotów w obszarze nogi stabilizującej w przedniej części podstawy.

NIE NALEŻY używać nośnych punktów styczości innych niż te opisane w instrukcji i oznaczone na ulepszonym urządzeniu przytrzymującym dla dzieci.

NIE NALEŻY korzystać z tego ulepszonego urządzenia przytrzymującego dla dzieci po tym, jak uczestniczyło w jakimkolwiek zderzeniu, nawet jeżeli było ono nieznaczące. Należy natychmiast je wymienić, ponieważ wskutek zderzenia mogą pojawić się niewidoczne uszkodzenia strukturalne.

NIE NALEŻY instalować tego ulepszonego urządzenia przytrzymującego dla dzieci bez stosowania zaleceń niniejszej instrukcji, w przeciwnym wypadku narazisz swoje dziecko na poważne ryzyko obrażeń lub śmierci.

NIE NALEŻY dokonywać jakichkolwiek zmian w ulepszonym urządzeniu przytrzymującym dla dzieci ani stosować go z częściami składowymi innych producentów.

NIE NALEŻY korzystać z ulepszanego urządzenia przytrzymującego dla dzieci bez tapicerki.

NIE NALEŻY korzystać z ulepszanego urządzenia przytrzymującego dla dzieci, jeśli został uszkodzony lub brakuje w nim części.

NIE NALEŻY ubierać dziecka w duże/ponadwymiarowe ubrania, ponieważ może to sprawić, że dziecko nie zostanie prawidłowo i bezpiecznie zapięte za pomocą taśmy uprząży barkowej i taśmy krokowej między nogami.

NIE NALEŻY pozostawiać ulepszanego urządzenia przytrzymującego dla dzieci lub innych przedmiotów bez zapiętych pasów lub niezabezpieczonych w pojeździe, ponieważ niezabezpieczone ulepszone urządzenie przytrzymujące dla dzieci może się przemieszczać i może zranić pasażerów na ostrym zakręcie, w przypadku nagłego zatrzymania lub kolizji.

NIE NALEŻY umieszczać w ulepszonym urządzeniu przytrzymującym dla dzieci czegokolwiek innego niż zalecane wewnętrzne poduszki.



OSTRZEŻENIE

Wykorzystanie fotelika jako leżaczka niemowlęcego

Wykorzystanie fotelika jako leżaczka niemowlęcego.

Zawsze korzystaj z systemu przytrzymującego.

NIE używaj fotelika jako leżaczka niemowlęcego, jeśli Twoje dziecko potrafi już samodzielnie siedzieć.

NIE używaj fotelika, jeśli któryś z jego elementów jest zepsuty lub jeśli brakuje któregoś z elementów.

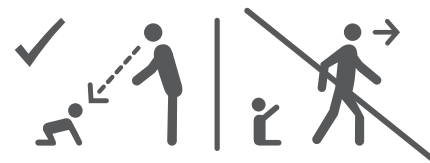
NIE używaj akcesoriów ani części zamiennych niezatwierdzonych przez producenta.

Użytkowanie fotelika po postawieniu go na podwyższeniu, np. na stole, jest niebezpieczne.

NIGDY nie zostawiaj dziecka bez opieki.

Fotelik nie nadaje się do spania przez dłuższy czas.

Fotelik nie zastępuje kojca lub łóżeczka. Jeśli dziecko chce spać, przenieś je do odpowiedniego kojca lub łóżeczka.

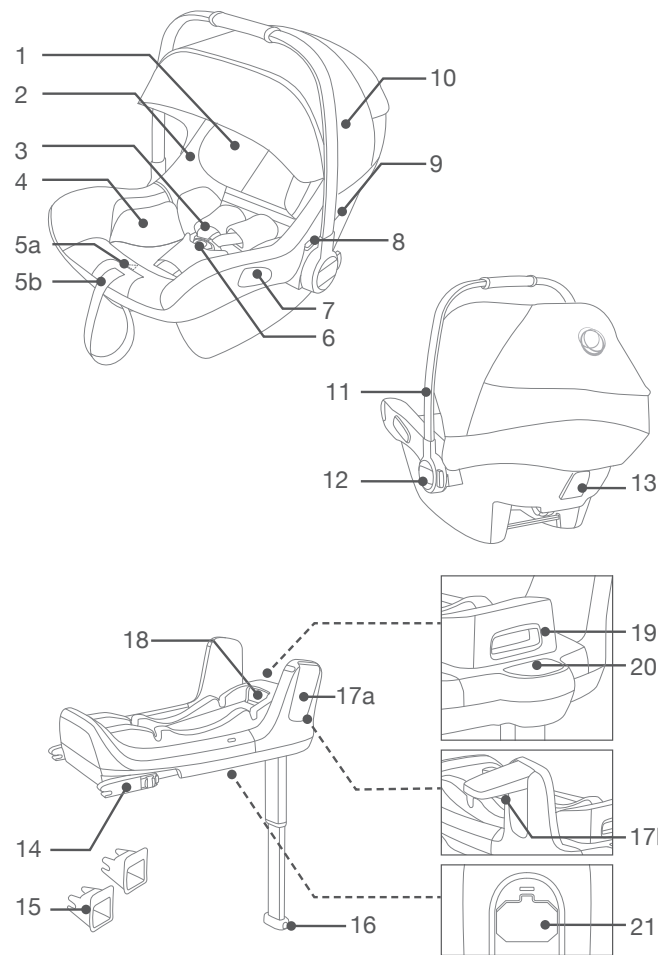


Lista części

Upewnij się, że wszystkie części są dostępne przed montażem. Nosidełko dla niemowląt i podstawa mogą być sprzedawane osobno. Jeśli brakuje jakiegokolwiek części, prosimy o kontakt z Bugaboo (informacje na stronie 74). Do montażu nie są wymagane jakiegokolwiek narzędzia.

PL

- | | | | |
|----|---------------------------|-----|---|
| 1 | Zagłówek | 13 | Prowadnica tylna |
| 2 | Podkładka siedzenia | 14 | Przyłącze ISOFIX |
| 3 | Taśmy upręży barkowej | 15 | Prowadnice ISOFIX |
| 4 | Wkładka dla niemowląt | 16 | Przycisk regulacji nogi stabilizującej |
| 5a | Przycisk regulacji upręży | 17a | Skrzydła chroniące przed uderzeniem bocznym |
| 5b | Taśma do regulacji | 17b | Przycisk rozkładania boczaków |
| 6 | Klamra bezpieczeństwa | 18 | Przycisk regulacji ISOFIX |
| 7 | Prowadnice boczne | 19 | Przycisk zwalnający nosidełka dla niemowląt |
| 8 | Przycisk zwalnający wózka | 20 | Wskaźnik nogi stabilizującej |
| 9 | Miejsce mocowania daszku | 21 | Schówek na instrukcję obsługi |
| 10 | Daszek | | |
| 11 | Uchwyt | | |
| 12 | Przycisk uchwytu | | |



PL

Użycie produktu

Ostrzeżenia dotyczące instalacji

To nosidełko dla niemowląt jest odpowiednie do siedzeń samochodowych wyposażonych w punkty mocowania i-Size ISOFIX z podstawą. (1)

W przypadku ulepszonych urządzeń przytrzymujących dla dzieci zwróconych tyłem do kierunku jazdy NIE NALEŻY używać ich na siedzeniach wyposażonych we włączone przednie poduszki powietrzne. Mogą wystąpić poważne obrażenia lub śmierć. (2) Aby uzyskać więcej informacji proszę odwołać się do instrukcji obsługi pojazdu.

NIE NALEŻY instalować tego ulepszanego urządzenia przytrzymującego dla dzieci na siedzeniach pojazdu zwróconych bokiem lub tyłem do kierunku jazdy pojazdu. (3)

Zaleca się instalację ulepszanego urządzenia przytrzymującego dla dzieci na tylnym siedzeniu pojazdu. (4)

NIE NALEŻY instalować ulepszanego urządzenia przytrzymującego dla dzieci na siedzeniach pojazdu, które są ruchome podczas instalacji.

Regulacja uchwytu

- 1 Uchwyt nosidełka dla niemowląt może być ustawiony w 3 pozycjach. (5)
Pozycja krzeselka dla dziecka. (5)-1
Pozycja do umieszczania dziecka w foteliku. (5)-2
Pozycja do transportu samochodem, ręcznie lub wózkiem. (5)-3

- 2 Aby dopasować uchwyt, przyciśnij przyciski uchwytu po obu stronach, aby go zwolnić. (6)-1
- 3 Obracaj uchwyt, aż wskoczy na dowolną z 3 pozycji. (6)-2

Instalacja z podstawą

- 1 Rozłóż nogę stabilizującą ze schowka. (7)
- 2 Dopasuj prowadnice ISOFIX i punkty mocowania ISOFIX. (8) Prowadnice ISOFIX mogą chronić powierzchnię siedzenia pojazdu przed wyrwaniem. Mogą również prowadzić przyłącza ISOFIX.
- 3 Naciśnij przycisk regulacji ISOFIX, aby wyregulować przyłącza ISOFIX. (9)
- 4 Dopasuj przyłącza ISOFIX i prowadnice ISOFIX, a następnie umieść obydwa przyłącza ISOFIX w punktach mocowania ISOFIX. (10)
- ⚠ Upewnij się, że oba przyłącza ISOFIX są dobrze zamocowane na punktach mocowania ISOFIX. Powinny być słyszalne dwa kliknięcia, a kolory wskaźników na obu przyłączach ISOFIX powinny być całkowicie zielone. (10)-1
- ⚠ Upewnij się, że podstawa jest prawidłowo zamocowana przez pociągnięcie obu przyłączy ISOFIX.
- 5 Po umieszczeniu podstawy na siedzeniu pojazdu rozłóż nogę stabilizującą do podłogi (11). Jeżeli wskaźnik nogi stabilizującej jest zielony, oznacza to, że jest zainstalowany prawidłowo, czerwony oznacza, że jest zainstalowany nieprawidłowo. (11)-2

- ⚠ Noga stabilizująca ma 19 pozycji. Jeżeli wskaźnik nogi stabilizującej jest czerwony, oznacza to, że znajduje się ona w niewłaściwej pozycji.
- ⚠ Upewnij się, że noga stabilizująca zachowuje stały kontakt z podłogą pojazdu.
- ⚠ Aby skrócić nogę stabilizującą, wciśnij przycisk zwalnający nogi stabilizującej i pociągnij ją w górę. (11)-1
W pełni zamontowana podstawa jest pokazana jako (12).
- ⚠ Przyłącza ISOFIX muszą być przymocowane i zablokowane na punktach mocowania ISOFIX. (12)-1
- ⚠ Noga stabilizująca musi być poprawnie zainstalowany z zielonym wskaźnikiem. (12)-2
- 6 Aby usunąć podstawę, należy najpierw nacisnąć przycisk blokady wtórnej (13)-1, a następnie przycisk (13)-2 na zatrzasku przyłączy przed usunięciem podstawy z siedzenia pojazdu.
- 7 Naciśnij przycisk regulacji ISOFIX, aby złożyć ISOFIX.
- 8 Wepchnij nosidełko dla niemowląt w dół w podstawę (14), jeżeli ulepszone urządzenie przytrzymujące dla dzieci jest dobrze zamocowane, skrzydła chroniące przed uderzeniem bocznym będą otwarte, a wskaźnik ulepszonych urządzenia przytrzymującego dla dzieci jest zielony. (15)
Skrzydło chroniące przed uderzeniem bocznym,

które znajduje się z dala od drzwi, może zostać zamknięte w sposób pokazany na (16), gdy nie jest używane.

- ⚠ Pociągnij nosidełko dla niemowląt w górę, aby upewnić się, że jest dobrze zatrzasknięte w podstawie.
- 9 Aby zwolnić nosidełko dla niemowląt, pociągnij ulepszone urządzenie przytrzymujące dla dzieci w górę, jednocześnie wciskając przycisk zwalnający nosidełka dla niemowląt. (17)

Regulacja wysokości

zagłówek i uprząży barkowej

Sprawdź, czy taśmy uprząży barkowej są ustawione na prawidłowej wysokości. Proszę wybrać odpowiednią parę otworów uprząży barkowej w zależności od wysokości dziecka.

- ⚠ Taśmy uprząży barkowej muszą znajdować się jak najbliżej ramion dziecka (18), ale nie ponad linię ramion. (19)
- ⚠ Jeśli taśmy uprząży barkowej nie są na właściwej wysokości, dziecko może zostać w przypadku zderzenia wyrzucone z ulepszonych urządzenia przytrzymującego dla dzieci.

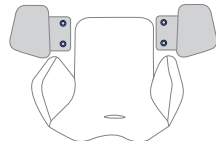
Pociągnij dźwignię regulacji zagłówek (20), jednocześnie ciągnąc zagłówek do góry lub pchając go w dół, aż zatrzasknie się w jednej z 7 pozycji. Pozycje zagłówek są pokazane jako (21).

Zabezpieczanie dziecka

Korzystanie z wkładki dla niemowląt



Zalecamy korzystanie z pełnej wkładki dla niemowląt, gdy dziecko ma poniżej 60 cm wzrostu lub do czasu, gdy wyrośnie z wkładki. Wkładka dla niemowląt zwiększa ochronę przed uderzeniem bocznym.



Wyjmij skrzydła boczne wkładki dla niemowląt, gdy ramiona niemowlęcia nie mieszczą się już w niej wygodnie.

Po umieszczeniu dziecka w foteliku sprawdź, czy taśmy upręży barkowej są na odpowiedniej wysokości.

- 1 Wciskając przycisk regulacji upręży, wyciągnij całkowicie dwie taśmy upręży barkowej ulepszonego urządzenia przytrzymującego dla dzieci. (22)
 - 2 Odblokuj klamrę upręży naciskając czerwony przycisk. (23)
 - 3 Umieścić dziecko w nosidełku dla niemowląt i zamknij klamrę. (25) Patrz (24).
 - 4 Zacieśnij taśmy upręży barkowej przez pociągnięcie taśmy regulacji. (26)
- !** Upewnij się, że przestrzeń pomiędzy dzieckiem a taśmami upręży barkowej wynosi w przybliżeniu grubość jednej dłoni.

Daszek

- 1 Wsuń osłonę spod przedniego łuku daszku. (27)
- 2 Wyciągnij wysuwaną inteligentną osłonę pomiędzy dwóch warstw osłony. (28)
- 3 Zamocuj magnesy na każdym rogu z przodu fotelika samochodowego. (29)
- 4 Dla wentylacji możliwe jest otwarcie otworu z tyłu. (30) Aby zwinąć daszek, najpierw wsuń z powrotem osłonę pod przedni łuk daszku, a następnie zwini wysuwaną inteligentną osłonę pod spód.

Ściąganie i zakładanie tapicerki

see images (31)-(40)

To re-assemble the soft goods, reverse the aforementioned steps.

Instalacja bez podstawy

- 1 NIE instaluj tego nosidełka dla niemowląt na siedzeniach samochodowych z pasami biodrowymi. (41)
- 2 Nosidełko dla niemowląt jest przeznaczone wyłącznie do siedzeń samochodowych z 3-punktowym pasem bezpieczeństwa ze zwijaczem (bez podstawy). (42)
- 3 Umieść nosidełko dla niemowląt na siedzeniu pojazdu, na którym chcesz je umieścić. Wyciągnij pas bezpieczeństwa pojazdu i zapnij go za pomocą

klamry pojazdu, wsuwając pas biodrowy pojazdu w prowadnice boczne nosidełka dla niemowląt. (43)

- ⚠ Nie można stosować nosidełka dla niemowląt, jeżeli klamra pasa bezpieczeństwa pojazdu (żeński koniec klamry) jest zbyt długa, aby zamocować nosidełko dla niemowląt w bezpieczny sposób. (43)-1
- 4 Wsuń pas diagonalny w tylną prowadnicę. (44)
- 5 Pociągnij pas barkowy pojazdu, aby mocno i bezpiecznie zamocować nosidełko dla niemowląt. (45)
- 6 Linia poziomu nosidełka dla niemowląt musi być równa z ziemią, gdy nosidełko dla niemowląt zostanie zainstalowane. (46)
- ⚠ Napnij pas bezpieczeństwa pojazdu tak mocno, jak to możliwe, sprawdzając czy nie jest luźny lub poskręcany.
- ⚠ Po zainstalowaniu nosidełka dla niemowląt, zawsze sprawdź, czy pasy pojazdu są poprowadzone prawidłowo i dobrze spięte klamrą pojazdu. (47)

Instalacja w samolocie

- ⚠ Należy pamiętać, że bezpieczeństwo dziecka w przypadku niestosowania się do instrukcji instalacji nie jest gwarantowane.
- ⚠ Należy pamiętać, że instalacja nosidełka dla niemowląt na siedzeniu samolotu różni się od instalacji na siedzeniu samochodowym.

- ⚠ Należy pamiętać, że montowanie za pomocą 2-punktowego pasa biodrowego jest dopuszczalne tylko w samolocie.
- ⚠ Należy pamiętać, że nosidełko dla niemowląt musi pozostawać przypięte pasem na siedzeniu samolotu nawet gdy dziecko się w nim nie znajduje.
- ⚠ Należy pamiętać, że nosidełko dla niemowląt może być stosowane wyłącznie na siedzeniu pasażerskim dopuszczonym przez linię lotniczą.
- ⚠ Ostrzeżenia, aby nie używać nosidełka dla niemowląt w obszarze poduszki powietrznej. (2)
- ⚠ Należy pamiętać, że nosidełko dla niemowląt zwrócone tyłem do kierunku jazdy powinno być zainstalowane tylko na siedzeniach pasażerskich zwróconych przodem do kierunku jazdy. (48)

Jak zainstalować nosidełko dla niemowląt przy użyciu pasu bezpieczeństwa siedzenia samolotowego:

- 1 Umieścić nosidełko dla niemowląt w kierunku przeciwnym do kierunku lotu na siedzeniu pasażerskim.
- 2 Upewnij się, że uchwyt do noszenia znajduje się na swojej najwyższej pozycji.
- 3 Umieścić pas bezpieczeństwa w obu prowadnicach pasa.
- 4 Zapnij pasa bezpieczeństwa (zgodnie z instrukcjami bezpieczeństwa podawanymi przez linię lotniczą).

5 Zaciśnij pas bezpieczeństwa przez pociągnięcie końca pasa. (49)

! Klamra pasa bezpieczeństwa pod żadnym pozorem nie może leżeć na obszarze ciemnozielonych przewodnic pasa. (50)

Demontaż: Otwórz pas bezpieczeństwa siedzenia pasażerskiego (zgodnie z instrukcjami bezpieczeństwa podawanymi przez linię lotniczą). Teraz możesz wziąć nosidełko dla niemowląt z siedzenia pasażerskiego.

Czyszczenie i konserwacja

Wyczyść ramę, części z tworzywa sztucznego i tkaniny wilgotną ściereczką, ale nie używaj materiałów ściernych lub wybielacza. Nie używaj smarów silikonowych, ponieważ będą przyciągać kurz i brud.

Po użytkowaniu produktu podczas deszczowej pogody wytrzyj go miękką, chłonną ściereczką, aby zapewnić jego długotrwałe użytkowanie.

Zapoznaj się z metkami umieszczonymi na elementach tapicerki, aby uzyskać instrukcje dotyczące mycia i suszenia.

To normalne, że tkaniny zmieniają kolor pod wpływem promieni słonecznych i wykazują oznaki zużycia po długim okresie użytkowania, nawet w przypadku normalnego użytkowania.

Ze względów bezpieczeństwa używaj tylko oryginalnych części Bugaboo by Nuna.

Sprawdzaj regularnie, czy wszystko funkcjonuje prawidłowo. Nie korzystaj z produktu, jeśli jakiegokolwiek części są rozdarte, złamane, lub brakuje jakiegokolwiek części.

Informacje zawarte w niniejszej instrukcji mogą ulec zmianie bez powiadomienia. Bugaboo International BV nie ponosi odpowiedzialności za błędy techniczne lub pominięcia w niniejszej instrukcji. Nabyty produkt może różnić się od produktu, jaki opisano w niniejszej instrukcji. Najbardziej aktualne instrukcje obsługi można zamówić w naszych działach obsługi lub na stronie www.bugaboo.com.

© 2019 Bugaboo International BV. BUGABOO, BUGABOO CAMELEON, BUGABOO BEE, BUGABOO DONKEY, BUGABOO FOX, BUGABOO TURTLE, BUGABOO ANT, BUGABOO LYNX, BUGABOO STARDUST oraz loga Bugaboo są zarejestrowanymi znakami towarowymi. Wózki Bugaboo® są opatentowane i chronione.

© NUNA International B.V. Nuna i wszystkie inne powiązane loga są znakami towarowymi.

MIKILVÆGT!
 GEYMDU ÞESSAR
 LEIÐBEININGAR TIL AÐ
 LESA Í FRAMTÍÐINNI:
 LESIST GAUMGÆFILEGA

Innihald

Upplýsingar um vöru	98
Vöruskráning	98
Viðskiptavinþjónusta	98
Kröfur fyrir notkun af börnum	99
Fyrir notkun með festingu (base)	100
Viðvörðun	101
Listi yfir parta	106
Notkun vöru	108
Prif og viðhald	116

Svenska (SV)	2
Русский (RU)	24
Português (PT)	48
Polisch (PL)	72
Íslensku (IS)	96
ქართული (KA)	118
Čeština (CS)	142
Hrvatski (HR)	166
עברית (HE)	190

Upplýsingar um vöru

Tegundarnúmer: _____

Framleitt í (dagsetning): _____

Vöruskráning

Vinsamlegast fyllið út í upplýsingareitina hér fyrir ofan. Módelnúmerið og dagsetning framleiðslu eru neðst á Bugaboo Turtle Air by Nuna.

Til að skrá vöruna þarf að fara á:

<https://service.bugaboo.com/ProductRegistrationForm>

Nuna hefur hannað og framleitt þessa vöru til að mæta þeim háu gæðastöðlum sem eru lagðir fram af Nuna og Bugaboo. Vinsamlegast hafðu innkaupkvittunina, módelnúmer og framleiðsludagsetningu við hendina þegar þú hefur samband við þjónustuver. Bugaboo mun svara símtölum þínum um Bugaboo Turtle Air by Nuna.

Vinsamlegast farðu á: www.bugaboo.com/warranty til að sjá upplýsingar um ábyrgð fyrir þessa Bugaboo Turtle Air by Nuna

Viðskiptavinþjónusta

Ef þú hefur einhverjar spurningar gætir þú fundið svarið á vefsíðu okkar www.bugaboo.com. Ef þú þarft að hafa samband við þjónustuteymi okkar er það okkur ávallt ánægja að heyra frá þér! Við erum þér innan handar til að svara öllum spurningum, áhyggjuefnum eða ummælum sem þú gætir haft varðandi vöru okkar og þjónustu. Ekki hika við að hafa samband við okkur. Ummæli þín hjálpa okkur að bæta vörur okkar og þjónustu enn frekar.

Veldu hvaða leið þú vilt nota til að hafa samband:

Síma, +31-207189531

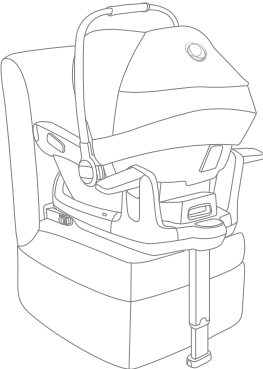
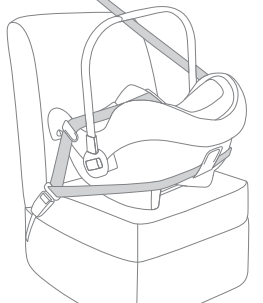
Netfang, service@bugaboo.com

Samskiptaeyðublað í gegnum,
bugaboo.com, www.bugaboo.com/support

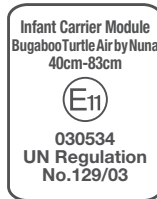
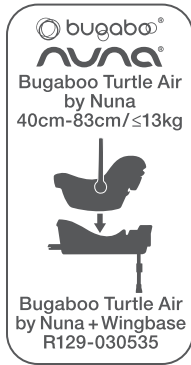
Twitter, @Bugaboo

Kröfur fyrir notkun af börnum

Þessi vara hentar til notkunar með börnum sem uppfylla eftirfarandi kröfur:

Mynd fyrir uppsetningu	Hentar fyrir
	Hæð barns 40cm-83cm/ Þyngd barns ≤13kg (u.þ.b. 15 mánaða eða yngri)
	Hæð barns 40cm-83cm Þyngd barns ≤13kg Aldur barns ≤ 15 mánuðir

Fyrir notkun með festingu (base)



- 1 "i-Size" (samþættur alhliða ISOFIX barnabílstóll) er flokkur af endurbættum barnabílstólum aðallega hönnuðum til notkunar í öllum i-Size sætisstöðum í bifreið.
- 2 Samkvæmt reglugerð SP nr. 129 er endurbættur barnabílstóll með festingu (base) alhliða ISOFIX endurbættur barnabílstóll og ætti að vera festur með ISOFIX tengingum.
- 3 Þetta er "i-Size" endurbættur barnabílstóll. Það er samþykkt í samræmi við reglugerð SP nr.129, fyrir notkun í sætum bifreiða sem eru samhæfðar fyrir i-Size samkvæmt merkingu frá framleiðanda í notandahandbók bifreiðarinnar.

- 4 Þetta er alhliða endurbætt barnaöryggiskerfi með belti. Það er samþykkt í samræmi við reglugerð SP nr.129, fyrir notkun aðallega í "alhliða sætisstöðum" samkvæmt merkingu frá framleiðanda í notandahandbók bifreiðarinnar.
- 5 Ef einhverjar efasemdir vakna skaltu ráðfæra þig við framleiðanda barnaöryggiskerfisins eða söluaðila þess.

! VIÐVÖRUN

Ef ekki er farið eftir þessum leiðbeiningum getur það valdið alvarlegum slysum eða bana.

Allar ólar sem festa barnastólinn við bifreiðina ættu að vera strekktar, allir burðarfætur eiga að vera í snertingu við gólf bifreiðarinnar og allar ólar sem halda barninu niðri eiga að vera stilltar í samræmi við líkama barnsins og ekki má vera snúningur á neinum ólum.

Festa skal niður allan farangur sem líklegt er að geti valdið meiðslum ef árekstur verður.

Gangið úr skugga um að bílstóllinn sé settur upp þannig að enginn hluti hans hindri færanleg sæti eða virkni hurða bifreiðarinnar.

Áður en barnabílstóllinn er borinn í í höndunum verður að tryggja að barnið sé fest með beislinu og að handfangið sé rétt læst í lóðréttri stöðu.

Ráðfærðu þig við dreifingaraðila fyrir málefni varðandi viðhald, viðgerðir og varahluti.

Eingöngu er hægt að setja vöruna rétt upp með því að nota ISOFIX tenging.

Skóðuðu ISOFIX brautirnar reglulega og þrífðu þær ef þær eru óhreinar. Áreiðanleiki getur minnkað vegna óhreininda, ryks, mataragna o.s.frv.

Áður en þú kaupir þennan bílstól skaltu ganga úr skugga um að hægt sé að setja hann rétt upp í bifreiðinni þinni.

Geymdu þennan bílstól án efnishlífar fjarri beinu sólarljósi því hann gæti verið of heitur fyrir húð barnsins. Snertu alltaf barnastólinn áður en þú setur barnið í hann.

Til að geta notað þennan barnabílstól með ISOFIX tengingum í samræmi við reglugerð SP nr. 129, verður barnið þitt að uppfylla eftirfarandi kröfur.

Hæð barns 40cm-83cm/Þyngd barns ≤13kg (u.þ.b. 15 mánaða eða yngra).

Til að nota barnabílstólinn með bílbeltinu, verður barnið þitt að uppfylla eftirfarandi kröfur.

Hæð barns 40cm-83cm.

Þyngd barns ≤13kg/aldur barns ≤15 mánuðir.

Ekki má skipta út mjúku púðum barnabílstólsins út fyrir neina aðra hluti en þá sem framleiðandi mælir með, því púðarnir eru nauðsynlegur hluti af öryggiskerfinu.

Til að koma í veg fyrir hættu á að barnið detti úr skal alltaf festa það með beislinu þegar barnið er sett í ungbarnastólinn, jafnvel þegar endurbætta öryggisfestingin er ekki í bifreiðinni.

Til að koma í veg fyrir alvarleg meiðsli eða dauða má ALDREI setja ungbarnastólinn á sætispúða með barn í honum.

Ekki má smyrja neina hluta í þessum bílstól á nokkurn hátt.

Taktu ungbarnastólinn úr og festinguna (base) úr bifreiðinni þegar hann er ekki í reglulegri notkun.

ÁVALLT verður að setja barn í bílstól, jafnvel fyrir stuttar ferðir, því það er þá sem flest slys verða.

ALDREI má skilja barnið eftir án eftirlits í bílstólnum.

ALDREI má nota notaðan bílstól eða bílstól sem er með óþekkta notkunarsögu því hann gæti verið skemmdur á hátt sem leggur öryggi barnsins þíns í hættu.

ALDREI má nota reipi eða önnur tól til að festa bílstólinn í bifreiðinni eða til að festa barnið í bílstólinn.

ENGINN bílstóll getur tryggt fullkomna vernd gegn meiðslum ef slys verður. Hins vegar getur rétt notkun á þessum bílstól dregið úr hættunni á að barnið þitt verði fyrir alvarlegum meiðslum eða dauðsfalli.

EKKI nota afturvísandi bílstól í sætum bifreiðar þar sem virkur loftpúði að framan er virkur. Það getur valdið dauða eða alvarlegum meiðslum. Sjá notandahandbók bifreiðarinnar fyrir nánari upplýsingar.

EKKI setja neina hluti í fótasvæðið fyrir framan festinguna þína (base).

EKKI nota neina burðarpunkta aðra en þá sem er lýst í leiðbeiningunum og eru merktir á bílstólnum.

EKKI nota þennan bílstól eftir að hann hefur lent í árekstri, jafnvel mjög vægum. Skiptu strax um bílstól því ósýnilegar skemmdir gætu verið til staðar eftir áreksturinn.

EKKI setja þennan bílstól upp án þess að fylgja leiðbeiningunum í þessari handbók, annars gæti það valdið alvarlegum meiðslum eða dauða fyrir barnið þitt.

EKKI gera neina breytingar á þessum bílstól eða nota hann með hlutum frá öðrum framleiðendum.

EKKI nota bílstólinn án púðanna.

EKKI nota þennan bílstól ef hlutar hans eru skemmdir eða týndir.

EKKI láta barnið þitt klæðast stórum/þykkum fötum því það gæti komið í veg fyrir að barnið sé rétt og örugglega fest með axlaólunum og klofólinni á milli fótanna.

EKKI skilja þennan bílstól eða aðra hluti ófesta í bílnum þínum því að laus bílstóll gæti kastast til og skaðað farþega í skörpum beygjum, við snögghemlun eða árekstur.

Ekki setja neitt annað en ráðlagða púða í þennan bílstól.



VIÐVÖRUN

Notkun barnabílstóls sem burðarrúm

Notkun barnabílstóls sem burðarrúm.

Alltaf skal nota öryggisbelti.

EKKI nota stólinn sem burðarrúm þegar barnið er farið að geta setið hjálparlaust.

EKKI nota stólinn ef eitthvað af honum er bilað eða týnt.

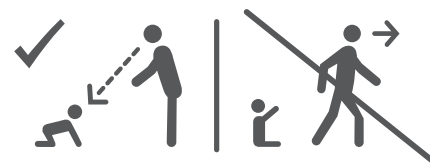
EKKI nota aukabúnað eða varahluti nema þá sem samþykktir eru af framleiðanda.

Hættulegt er að nota stólinn á hækkuðum fleti, t.d. borði.

ALDREI má skilja barnið eftir án eftirlits.

Bílstólinn er ekki ætlaður til svefns langtímum saman.

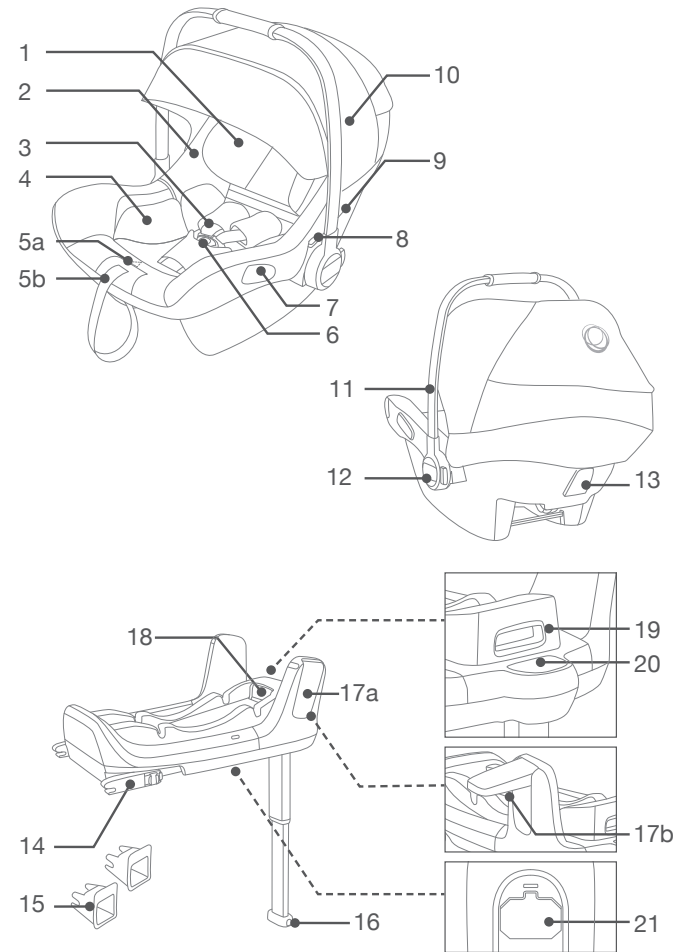
Þessi bílstóll kemur ekki í stað vöggju eða rúms. Ef barnið þitt þarf að sofa ætti að setja það í viðeigandi vöggju eða rúm.



Listi yfir parta

Gakktu úr skugga um að allir partar séu til staðar fyrir samsetningu. Ungbarnastóllinn og festingin (base) geta verið seld sér. Hafðu samband við Bugaboo ef einhvern hlut vantar (sjá bls. 98 fyrir upplýsingar). Ekki er þörf á neinum verkfærum fyrir samsetningu.

- | | |
|--------------------------------|--|
| 1 Höfuðpúði | 14 ISOFIX tengill |
| 2 Sætispúði | 15 ISOFIX brautir |
| 3 Axlaólar | 16 Stillingarhnappur fyrir burðarfót |
| 4 Ungbarnainnlegg | 17a Hlífðarvængir gegn hliðarhöggi |
| 5a Stillingarhnappur festiolar | 17b Hnappur sem fellir hliðarflipana aftur |
| 5b Stillingarnet | 18 Stillingarhnappur fyrir ISOFIX |
| 6 Beltissylgja | 19 Sleppihnappur fyrir ungbarnastól |
| 7 Hliðarbrautir | 20 Gaumvísir fyrir burðarfót |
| 8 Sleppihnappur fyrir kerru | 21 Geymsluhólf fyrir leiðbeiningabækling |
| 9 Festing fyrir himinn | |
| 10 Himinn | |
| 11 Handfang | |
| 12 Hnappur handfangs | |
| 13 Afturbraut | |



Notkun vöru

Atriði fyrir uppsetningu

Þessi ungbarnastóll hentar fyrir bifreiðasæti með i-Size ISOFIX festipunkta með festingunni (base). (1)

EKKI nota afturvísandi bílstól í sætum bifreiðar þar sem virkur loftpúði að framan er virkur. Það gæti valdið dauða eða alvarlegum meiðslum. (2)
Sjá notandahandbók bifreiðarinnar fyrir nánari upplýsingar.

EKKI setja þennan bílstól í sæti bifreiðar sem snúa til hliðar eða afturábak miðað við akstursátt bifreiðarinnar. (3)




Ráðlagt er að setja þennan bílstól upp í aftursæti bifreiðar. (4)

EKKI setja þennan bílstól upp í sæti sem færast til við uppsetningu.

Stilling handfanga

- 1 Hægt er að stilla handfangið á þessum ungbarnastól í 3 mismunandi stillingar. (5)
Ungbarnastólsstaða. (5)-1
Staða til að setja barnið í sætið. (5)-2
Staða fyrir flutning í bíl, með hendi eða í kerru. (5)-3
- 2 Til að stilla handfangið þarf að kreista hnappana á báðum hliðum til að losa það. (6)-1
- 3 Snúðu handfanginu þar til það smellur í eina af stöðunum þremur. (6)-2

Uppsetning með festingu (base)

- 1 Brjóttu burðarfótinn í sundur úr geymsluhólfinu (7)
 - 2 Settu ISOFIX festipunktana í ISOFIX brautirnar. (8)
ISOFIX brautirnar geta varið yfirborð bílstólsins frá því að rifna. Einnig geta þær beint ISOFIX tengjunum á réttan stað.
 - 3 Ýttu á ISOFIX stillingarhnappinn til að stilla ISOFIX tengin. (9)
 - 4 Láttu ISOFIX tengin passa við ISOFIX brautirnar og smelltu síðan báðum ISOFIX tengjunum í ISOFIX festingarnar. (10)
-  Gakktu úr skugga um að bæði ISOFIX tengin séu tryggilega fest við ISOFIX festingar sínar. Tveir greinilegir smellir ættu að heyrast og litirnir á gaumvísunum á báðum ISOFIX tengjunum ættu að vera alveg grænir. (10)-1
-  Gakktu úr skugga um að festingin (base) sé tryggilega föst með því að toga í bæði ISOFIX tengin.
- 5 Eftir að festingin hefur verið sett í bifreiðarsætið skaltu draga burðarfótinn niður að gólfinu (11). Þegar gaumvísir burðarfótarins sýnir grænt þýðir það að hann sé rétt settur upp, rauður litur merkir ranga uppsetningu. (11)-2
-  Burðarfóturinn er með 19 mismunandi stöður. Þegar gaumvísir burðarfótarins sýnir rauðan lit þýðir það að burðarfóturinn sé í rangri stöðu.

- ⚠ Tryggðu að burðarfóturinn snerti alveg gólfið í bifreiðinni.
 - ⚠ Til að stytta burðarfótinn þarf að ýta á sleppihnappinn og toga burðarfótinn upp á við. (11)-1
Samsett festingin (base) er sýnd sem (12).
 - ⚠ ISOFIX tengin verða að vera tengd og læst í ISOFIX festipunktana. (12)-1
 - ⚠ Burðarfóturinn verður að vera rétt settur upp með grænt ljós á gaumvísinum. (12)-2
- 6 Til að fjarlægja festinguna (base) þarf að ýta á læsihnappinn (13)-1 fyrst og síðan á hnappinn (13)-2 á tengjunum áður en festingin er tekin úr sæti bifreiðarinnar.
 - 7 Ýttu á stillingarhnappinn fyrir ISOFIX til að brjóta ISOFIX saman.
 - 8 Ýttu ungbarnastólnum niður í festinguna (14), ef bílstóllinn er tryggilega fastur munu hlífðarvængirnir gegn hliðarhöggi vera opnir og gaumvísir bílstólsins sýnir grænan lit. (15) hlífðarvængnum sem er fjær dyrunum er hægt að loka eins og sýnt er á (16) þegar hann er ekki í notkun.
 - ⚠ Togaðu bílstólinn upp til að tryggja að hann sé tryggilega festur við festinguna.
 - 9 Til að losa bílstólinn skal toga hann upp á meðan ýtt er á sleppihnappinn fyrir stólinn. (17)

Hæðarstilling

fyrir höfuðpúða og axlaólur

Gakktu úr skugga um að axlaólarnar séu stilltar í réttri hæð. Veldu réttar raufar fyrir axlaólarnar í samræmi við hæð barnsins.

- ⚠ Axlaólarnar verða að vera sem næst öxlum barnsins (18), en ekki fyrir ofan axla línuna. (19)
- ⚠ Ef axlaólarnar eru ekki í réttri hæð gæti barnið kastast úr barnastólnum ef árekstur verður.

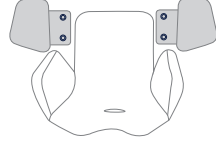
Togaðu stillistöngina fyrir höfuðpúðann (20), togaðu um leið upp eða ýttu niður á höfuðpúðann þar til hann smellur í eina af 7 stöðunum. Stöðurnar fyrir höfuðpúðann eru sýndar í (21).

Barnið fest

Notkun á ungbarnainnleggi



Við mælum með að nota ungbarnainnleggið á meðan barnið er minna en 60 cm eða þar til það vex upp úr innlegginu. Ungbarnainnleggið eykur vernd gegn hliðarhöggi.



Fjarlægið hliðarflipa innleggisins fyrir ungbörn þegar axlir barnsins passa ekki lengur.

Eftir að barnið er sett í stólinn skal athuga hvort að axlaólarnar séu í rétttri hæð.

- 1 Ýttu á stillingarhnappinn fyrir beislið og togaðu alveg í báðar axlaólarnar í bílstólnum. (22)
- 2 Losaðu sylgjuna fyrir ólarnar með því að ýta á rauða hnappinn. (23)
- 3 Settu barnið í bílstólinn og læstu sylgjurni. (25) Sjá (24).
- 4 Hertu axlaólarnar með því að toga í stillingarnetið. (26)

! Gakktu úr skugga um að plássið á milli barnsins og axlaólanna sé um það bil jafnt og ein handarþykkt.

Himinn

- 1 Taktu út skyggnið sem er undir himinbogunum að framan. (27)
- 2 Togaðu út framlengjanlega snjallskyggnið sem er á milli skyggislaganna tveggja. (28)
- 3 Festu seglanna í bæði hornin framan á bílstólinn. (29)
- 4 Peek-a-boo gatið að aftan er hægt að opna fyrir betra loftflæði. (30)
Til að brjóta himininn saman skal fyrst setja skyggnið aftur undir himinbogann að framan og síðan brjóta saman framlengjanlega snjallskyggnið undir.

Púðar losaðir og settir upp

sjá myndir (31)-(40)

Til að setja púðana aftur upp skal gera ofangreind skref í öfugri röð.

Uppsetning án festingar (base)

- 1 EKKI setja þennan bílstól í sæti bifreiðar með eingöngu belti yfir mjaðmir. (41)
- 2 Þessi bílstóll hentar fyrir sæti bifreiðar með 3-punkta öryggisbelti (án festingar) eingöngu. (42)

- 3 Settu bílstólinn í það sæti bifreiðarinnar sem þú vilt hafa hann. Togaðu öryggisbeltið út og smelltu því í beltissylgjuna og renndu mjaðmabeltinu í hliðarbrautirnar sem eru á bílstólum. (43)
- ⚠ Ekki er hægt að nota bílstólinn ef sylgjan (kvenkyns endinn) er of langur til að festa bílstólinn tryggilega. (43)-1
- 4 Renndu axlabeltinu í aftari brautina. (44)
- 5 Togaðu í axlabeltið til að festa bílstólinn þétt og örugglega. (45)
- 6 Lárétta línán á bílstólum verður að vera samhliða jörðinni þegar bílstóllinn er settur upp. (46)
- ⚠ Strekktu öryggisbeltið eins mikið og hægt er og gættu þess að það sé ekki laust eða snúið upp á það.
- ⚠ Eftir að bílstóllinn hefur verið settur upp skal ávallt ganga úr skugga um að öryggisbeltin séu rétt fest við stólinn og tryggilega fest í beltissylgjunni. (47)

Uppsetning í flugvél

- ⚠ Hafðu í huga að ekki er hægt að tryggja öryggi barnsins ef ekki er farið eftir leiðbeiningum.
- ⚠ Athugaðu að uppsetning bílstólsins í flugvél er annars konar en uppsetning í bílsæti.
- ⚠ Athugaðu að festing með 2-punkta mjaðmabelti er eingöngu leyfð í flugvél.

- ⚠ Athugaðu að bílstóllinn verður að vera festur með öryggisbelti í sæti flugvélarinnar jafnvel þegar hann er tómur.
- ⚠ Athugaðu að bílstóllinn er eingöngu ætlaður til notkunar í farþegasæti sem flugfélagið leyfir.
- ⚠ Ekki má nota bílstólinn á svæði þar sem loftþúðar gætu blásið út. (2)
- ⚠ Athugaðu að bakvísandi bístól skal eingöngu setja upp í farþegasætum sem snúa áfram. (48)

Hvernig á að setja upp bílstólinn með öryggisbeltinu í flugvélinni:

- 1 Settu bílstólinn í farþegasætið í bakvísandi stefnu frá flugáttinni.
 - 2 Gakktu úr skugga um að handfangið sé í efstu stöðu.
 - 3 Settu öryggisbeltið í báðar beltabrautirnar.
 - 4 Læstu öryggisbeltinu (sjá öryggisleiðbeiningarnar frá flugfélaginu).
 - 5 Hertu öryggisbeltið með því að toga í ólarendann. (49)
- ⚠ Sylgja öryggisbeltisins má aldrei liggja í dökkgrænu beltisbrautunum. (50)

Brottnám: Losaðu öryggisbeltið í farþegasætinu (sjá öryggisleiðbeiningarnar frá flugfélaginu). Nú getur þú tekið bílstólinn úr farþegasætinu.

Prif og viðhald

Prífdou rammann, plasthluti og efni með rökum klút en ekki nota rispandi efni eða klór. Ekki nota smurefni sem innihalda sílíkon því þau laða að sér óhreinindi og fitu.

Til að tryggja langvarandi notkun skaltu þurrka af þessari vöru með mjúkum, rakadrægum klút eftir notkun í rigningu.

Sjá þvottamerkingar á púðum fyrir leiðbeiningar um þvott og þurrkun.

Það er eðlilegt að efni afitist vegna sólarljóss að slit sjáist á því eftir langa notkun, jafnvel eftir eðlilega notkun.

Af öryggisástæðum má eingöngu nota upprunalega Bugaboo hluti frá Nuna.

Athugaðu reglulega hvort allt virki rétt. Ef einhverjir hlutir eru slitnir, brotnir eða týndir skal hætta notkun á þessari vöru.

Upplýsingarnar sem koma hér fram eru háðar breytingum án fyrirvara. Bugaboo International BV ber enga ábyrgð á tæknilegum villum eða vöntun á upplýsingum í þessum texta. Keypt vara gæti verið frábrugðin þeirri sem er lýst í þessum notandaleiðbeiningum. Hægt er að biðja um að fá nýjustu notandaleiðbeiningar frá þjónustudeildum eða nálgast þær á www.bugaboo.com.

© 2019 Bugaboo International BV. BUGABOO, BUGABOO CAMELEON, BUGABOO BEE, BUGABOO DONKEY, BUGABOO FOX, BUGABOO TURTLE, BUGABOO ANT, BUGABOO LYNX, BUGABOO STARDUST og Bugaboo vörumerkin eru skrásett vörumerki. Bugaboo® kerrurnar eru með einkaleyfisskráningu og eru hönnunarvarðar.

© NUNA International B.V. Nuna og öll tengd vörumerki eru skrásett.

ყურადღება!
შეინახეთ ეს
ინსტრუქცია მომავალი
გამოყენებისთვის:
წაიკითხეთ
ყურადღებით

სარჩევი

ინფორმაცია პროდუქციის შესახებ	120
პროდუქტის რეგისტრაცია	120
მომხმარებელთა მომსახურება	120
ბავშვთან გამოყენების მოთხოვნები	121
ბაზასთან ერთად გამოყენება	122
გაფრთხილებები	124
ნაწილების ჩამონათვალი	130
პროდუქტის გამოყენება	132
დასუფთავება და უზრუნველყოფა	140

Svenska (SV)	2
Русский (RU)	24
Português (PT)	48
Polisch (PL)	72
Íslensku (IS)	96
ქართული (KA)	118
Čeština (CS)	142
Hrvatski (HR)	166
תּוּרְבּוּעַ (HE)	190

ინფორმაცია პროდუქციის შესახებ

მოდელის ნომერი: _____

წარმოებულა (თარიღი): _____

პროდუქტის რეგისტრაცია

გთხოვთ, შეავსოთ ზემოთ მოცემული ინფორმაცია. მოდელის ნომერი და წარმოების თარიღი განთავსებულია Bugaboo Turtle Air by Nuna-ს ზედა ნაწილში.

თქვენი პროდუქტის რეგისტრაციისთვის ეწვიეთ: <https://service.bugaboo.com/ProductRegistrationForm>

Nuna-მ მიზანმიმართულად შეიმუშავა და დაამზადა ეს პროდუქტი Nuna-სა და Bugaboo-ს მაღალი ხარისხის სტანდარტების დასაკმაყოფილებლად. გთხოვთ, თან იქონიეთ შენაძენის მტკიცებულება, მოდელის ნომერი და წარმოების თარიღი, როდესაც უკავშირდებით მომსახურების თაობაზე. Bugaboo მიიღებს თქვენს წარს Bugaboo Turtle Air by Nuna-ს შესახებ.

Bugaboo Turtle Air by Nuna-ს საგარანტიო ინფორმაციის მისაღებად ეწვიეთ: www.bugaboo.com/warranty

მომხმარებელთა მომსახურება

თუ გაქვთ შეკითხვა, პასუხის მოსაძებნად ეწვიეთ ჩვენს ვებგვერდს: www.bugaboo.com. თუ დაგჭირდებათ ჩვენს საერთაშორისო სერვისის გუნდთან დაკავშირება, ჩვენ ყოველთვის სიამოვნებით მოგისმენთ! ჩვენ შეგვიძლია ვუპასუხოთ თქვენს შეკითხვებს, შენიშვნებსა თუ კომენტარებს, რომელიც შეიძლება გაგიჩნდეთ ჩვენს პროდუქტებთან და მომსახურებასთან დაკავშირებით. ნუ მოგერიდებათ ჩვენთან დაკავშირება. თქვენი უკუკავშირი გვეხმარება ჩვენი პროდუქტებისა და მომსახურების უფრო მეტად გაუმჯობესებაში.

შეარჩიეთ სასურველი კავშირის მეთოდი:

ტელეფონი, +31-207189531. **ელ.ფოსტა**, service@bugaboo.com

საკონტაქტო ფორმის საშუალებით
bugaboo.com, www.bugaboo.com/support

Twitter, @Bugaboo

ბავშვთან გამოყენების მოთხოვნები

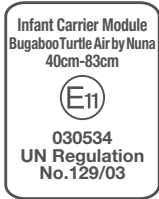
ეს პროდუქტი შესაფერისია იმ ბავშვებისთვის რომლებიც აკმაყოფილებენ შემდეგ მოთხოვნებს:

მონტაჟის სურათი	შესაფერისია
	ბავშვის სიმაღლე 40სმ-83სმ/ ბავშვის წონა ≤ 13კგ (დაახლოებით 15 თვის ან ნაკლები ასაკის)
	ბავშვის სიმაღლე 40სმ-83სმ/ ბავშვის წონა ≤ 13კგ ბავშვის ასაკი ≤ 15 თვე

KA

KA

ბაზასთან ერთად გამოყენება



KA

- 1 “i-ზომა” (ინტეგრირებული უნივერსალური ISOFIX ბავშვის შეკავების გაძლიერებული სისტემები) არის კატეგორია ბავშვის შეკავების გაძლიერებული სისტემის, რომელიც უმთავრესად დაპროექტებულია ყველა i-ზომის ჯდომის პოზიციაში გამოსაყენებლად სატრანსპორტო საშუალებაში.
- 2 გაეროს 129-ე რეგლამენტის თანახმად, ბავშვის შეკავების გაძლიერებული სისტემა ბაზით არის უნივერსალური ISOFIX ბავშვის გაძლიერებული შეკავების სისტემა და და უნდა მოერგოს ISOFIX შეერთებების მეშვეობით.

- 3 ეს არის “i-ზომა” ბავშვის შეკავების გაძლიერებული სისტემა. იგი დამტკიცებულია გაეროს 129-ე რეგლამენტის თანახმად, i-ზომასთან შესაფერის სატრანსპორტო საშუალების ჯდომის პოზიციებში გამოსაყენებლად, როგორც ეს მითითებულია სატრანსპორტო საშუალების მწარმოებლების მიერ ავტომობილის მომხმარებლის ინსტრუქციაში.
- 4 ეს არის ბავშვის უნივერსალური ქამრიანი გაძლიერებული შეკავების სისტემა. იგი დამტკიცებულია გაეროს 129-ე რეგლამენტის თანახმად, უმთავრესად უნივერსალური ჯდომის პოზიციებში გამოსაყენებლად, როგორც ეს მითითებულია სატრანსპორტო საშუალების მწარმოებლების მიერ ავტომობილის მომხმარებლის ინსტრუქციაში.
- 5 ეჭვის გაჩენის შემთხვევაში, დაუკავშირდით ან ბავშვის შეკავების სისტემის მწარმოებელს ან გამყიდველს.

KA

გაფრთხილება

ამ გაფრთხილებებისა და მითითებების შეუსრულებლობამ შეიძლება გამოიწვიოს სერიოზული დაზიანება ან სიკვდილი.

ნებისმიერი ქამრები, რომლებიც ჩვილის გადასაცვან მოდულოს სატრანსპორტო საშუალებას ამარაგებენ, უნდა იყოს დაჭიმული, ისე, რომ სისტემის ყველა ფეხი უნდა ეხებოდეს სატრანსპორტო საშუალების იატაკს, და ისე, რომ ბავშვის დამჭერი ყველა ქამარი უნდა მიმაგრებული იყოს ბავშვის სხეულზე, და ქამრები არ უნდა იყოს გადაბრუნებულ მდგომარეობაში.

ნებისმიერი ბარჯი თუ სხვა საგანი, რომელმაც შეიძლება გამოიწვიოს დაზიანება დაჯახების შემთხვევაში, უნდა იყოს სათანადოდ დამაგრებული.

დარწმუნდით, რომ ბავშვის გაძლიერებული შეკავების სისტემა დაყენებულია ისე, რომ მისი არცერთი ნაწილი არ უშლის ხელს მოძრავ სავარძლებს ან სატრანსპორტო საშუალების კარების მოქმედებას.

ჩვილის გადასაცვანი მოდულის ხელით წაღებამდე, დარწმუნდით, რომ ბავშვი შეკრულია ბავშვის ღვედებით, და რომ სახელური სწორადაა ჩაკეტილი ვერტიკალურ მდგომარეობაში.

დაუკავშირდით დისტრიბუტორს მოვლის, რემონტისა და ნაწილების შეცვლის საკითხებთან დაკავშირებით.

სწორი დაყენება დაშვებულია მხოლოდ ISOFIX-ის სამაგრების მეშვეობით.

ხშირად შეამოწმეთ ISOFIX-ის მიმართველი დეტალები ჭეჭყე და საჭიროების შემთხვევაში, გაწმინდეთ ისინი. საიმედოობაზე გავლენას ახდენს ჭეჭყის,

მტვრის, საკვები ნაწილაკების და ა.შ. მოხვედრა.

ბავშვის ამ გაძლიერებული შეკავების სისტემის შექენამდე, გთხოვთ გადაამოწმოთ რომ ის სათანადოდ დაყენდება თქვენს სატრანსპორტო საშუალებაში.

გთხოვთ, შეინახეთ ბავშვის ეს გაძლიერებული შეკავების სისტემა ნაჭრის გადასაფარებლის გარეშე მზის სხივებისგან მოშორებით, რადგან შესაძლოა ის ბავშვის კანისთვის ზედმეტად გაცხელდეს. ყოველთვის შეეხეთ ბავშვის გაძლიერებული შეკავების სისტემას მასში ბავშვის მოთავსებამდე.

ბავშვის ამ გაძლიერებული შეკავების სისტემის ISOFIX-ის სამაგრებთან გამოყენებისთვის გაეროს 129-ე რეგულაციის თანახმად, თქვენი ბავშვი უნდა აკმაყოფილებდეს შემდეგ მოთხოვნებს.

ბავშვის სიმაღლე 40სმ-83სმ/ბავშვის წონა \leq 13კგ (დაახლოებით 15 თვის ან ნაკლები ასაკის)

ჩვილის გადასაცვანი ამ ქამრიანი მოდულის გამოყენებისთვის, თქვენი ბავშვი უნდა აკმაყოფილებდეს შემდეგ მოთხოვნებს.

ბავშვის სიმაღლე 40სმ-83სმ.

ბავშვის წონა \leq 13კგ/ბავშვის ასაკი \leq 15 თვე.

ბავშვის გაძლიერებული შეკავების სისტემის რბილი ნივთები უნდა შეიცვალოს მხოლოდ მწარმოებლის მიერ რეკომენდებული პროდუქციით, რადგან რბილი ნივთები შეადგენენ დაჭერის სისტემის განუყოფელ ნაწილს.

გადმოვარდნის რისკის შესამცირებლად, ყოველთვის დაამაგრეთ ბავშვი ღვედების მეშვეობით, როდესაც ბავშვი მოთავსებულია ჩვილის გადასაცვან მოდულში, მაშინაც კი, როდესაც ბავშვის გაძლიერებული შეკავების სისტემა არ არის სატრანსპორტო საშუალებაში.

სერიოზული დაშავებისა და სიკვდილისგან თავის ასარიდებლად, არასდროს არ მოათავსოთ ჩვილის გადასაყვანი მოდული ამდღეობული ზედაპირის სავარძელზე, თუ მასში ბავშვი იმყოფება.

ბავშვის გაძლიერებული შეკავების სისტემის ნაწილები არანაირად არ უნდა დაიჭეთოს.

გადმოიტანეთ ჩვილის გადასაყვანი მოდული და ბაზა სატრანსპორტო საშუალების სავარძლიდან, როდესაც რეგულარულად არ იყენებთ მას.

ყოველთვის შეკარით ბავშვი ბავშვის გაძლიერებული შეკავების სისტემაში, მოკლე მანძილებზე წასვლის შემთხვევაშიც კი, რადგან სწორედ ამ დროს ხდება ავარიების უმრავლესობა.

არასოდეს დატოვოთ თქვენი შვილი უყურადღებოდ ბავშვის ამ გაძლიერებული შეკავების სისტემაში.

არასდროს გამოიყენოთ მეორადი ბავშვის გაძლიერებული შეკავების სისტემა ან ბავშვის გაძლიერებული შეკავების სისტემა, რომლის წარსული არ იცით, რადგან მას შეიძლება ჰქონდეს სტრუქტურული დაზიანება, რომელიც საფრთხეს უქმნის თქვენს ბავშვს.

არასდროს არ გამოიყენოთ თოკები ან ნებისმიერი სხვა შემცველი ბავშვის გაძლიერებული შეკავების სისტემის სატრანსპორტო საშუალებაში დასამაგრებლად ან ბავშვის გაძლიერებული შეკავების სისტემაში ბავშვის შესაკვრელად.

არცერთი ბავშვის გაძლიერებული შეკავების სისტემა არ იძლევა სრული უსაფრთხოების გარანტიას დაშავებისგან ავარიის დროს. თუმცა, ბავშვის ამ გაძლიერებული შეკავების სისტემის სათანადო გამოყენება ამცირებს თქვენი შვილის სერიოზული დაშავებისა ან სიკვდილის რისკს.

არ გამოიყენოთ ბავშვის გაძლიერებული შეკავების სისტემა ზურგით მდგომარეობაში ჯდომის პოზიციებში, სადაც დაყენებულია აქტიური წინა უსაფრთხოების ბალიში. ამას შეიძლება მოჰყვეს სიკვდილი ან სერიოზული დაშავება. გთხოვთ, წაიკითხოთ ავტომობილის მფლობელის ინსტრუქცია დამატებითი ინფორმაციის მისაღებად.

არ მოათავსოთ სხვა ნივთები სისტემის ფენის ზონაში თქვენი ბაზის წინ.

არ გამოიყენოთ არავითარი ტვირთის მქონე საკონტაქტო წერტილები გარდა იმ ნაწილებისა, რომლებიც აღწერილია ინსტრუქციაში და მონიშნულია ბავშვის გაძლიერებული შეკავების სისტემაზე.

არ გამოიყენოთ ბავშვის ეს გაძლიერებული შეკავების სისტემა ნებისმიერი ტიპის ავარიის შემდეგ, მცირე შეჯახების შემთხვევაშიც კი. სასწრაფოდ გამოცვალეთ, რადგან შესაძლოა გააჩნდეს ავარიით გამოწვეული უზილავი, სტრუქტურული დაზიანება.

არ დააყენოთ ბავშვის გაძლიერებული შეკავების ეს სისტემა ამ ინსტრუქციაში მოყვანილი მითითებების გათვალისწინების გარეშე, სხვა შემთხვევაში თქვენ შეიძლება ჩააგდოთ თქვენი შვილი დაშავების ან სიკვდილის სერიოზული რისკის ქვეშ.

არ მოახდინოთ ბავშვის გაძლიერებული შეკავების ამ სისტემის არანაირი ცვლილება და არ გამოიყენოთ სხვა მწარმოებლების მიერ დამზადებულ სათადარიგო ნაწილებთან ერთად.

არ გამოიყენოთ ბავშვის გაძლიერებული შეკავების ეს სისტემა რბილი ნივთების გარეშე.

არ გამოიყენოთ ბავშვის გაძლიერებული შეკავების ეს სისტემა თუ მისი ნაწილები დაზიანებული ან დაკარგულია.

არ ჩააცვათ თქვენს ბავშვს დიდი ზომის ტანსაცმელი, რადგან ამან შეიძლება შეაფერხოს თქვენი შვილის სათანადოდ და დაცულად შეკვრა მხარის ქამრებითა და შორისი ღვედით ფუნებს შუა.

არ მოათავსოთ ბავშვის გაძლიერებული შეკავების ეს სისტემა ან სხვა ნივთები უსაფრთხოდ დამაგრების გარეშე თქვენს სატრანსპორტო საშუალებაში, რადგან შეუკვრელი ბავშვის გაძლიერებული შეკავების სისტემა მკვეთრ მოსახვევში, უეცარი გაჩერებისა ან შეჯახების შემთხვევაში შეიძლება გადავარდეს და დააზიანოს მგზავრები.

რეკომენდებულია გარდა, არ ჩააწყოთ სხვა შიდა ბალიშები ბავშვის გაძლიერებული შეკავების ამ სისტემაში.

KA

გაფრთხილება სავარძლის გამოყენება გადაწოლილი აკვნის სახით

სავარძლის გამოყენება გადაწოლილი აკვნის სახით.

ყოველთვის გამოიყენეთ შეკავების სისტემა.

არ გამოიყენოთ სავარძელი გადაწოლილი აკვნის სახით მას შემდეგ, რაც თქვენს შვილს შეეძლება დახმარების გარეშე ჯდომა.

არ გამოიყენოთ, თუ სავარძლის ნებისმიერი კომპონენტი დამტვრეული ან დაკარგულია.

არ გამოიყენოთ მწარმოებლის მიერ რეკომენდებულია გარდა სხვა ნებისმიერი აქსესუარი თუ სათადარიგო ნაწილი.

სახიფათოა ამ სავარძლის გამოყენება ამდღობულ ზედაპირებზე მაგ. მაგიდაზე.

არასოდეს დატოვოთ ბავშვი უყურადღებოდ.

ეს სავარძელი არ არის გათვლილი ხანგრძლივ ძილზე.

ეს სავარძელი არ ანაცვლებს ბავშვის საწოლს. თუ თქვენს ბავშვს დასჭირდა ძილი, იგი უნდა მოთავსდეს შესაფერის საწოლში.

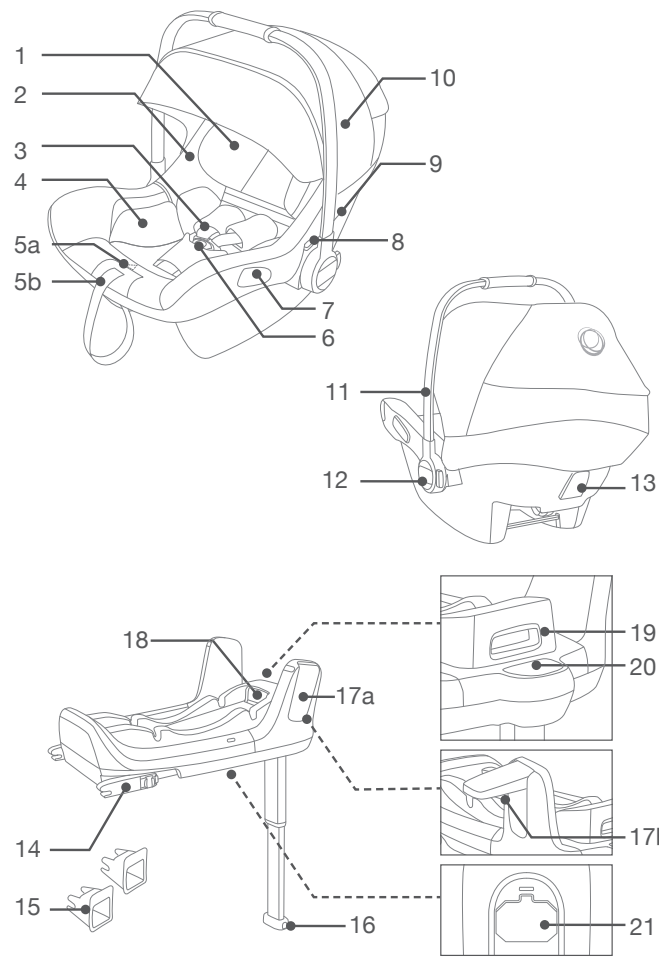


KA

ნაწილების ჩამონათვალი

აწყობამდე დარწმუნდით, რომ ყველა ნაწილი ადგილზეა. ჩვილის გადასაცვანი მოდული და ბაზა შეიძლება გაიყიდოს ცალცალკე. თუ რომელიმე ნაწილი აკლია, დაუკავშირდით Bugaboo-ს (ინფორმაციისთვის იხილეთ გვერდი 120). ასაწყობად არანაირი ხელსაწყოები არ არის საჭირო.

- | | | | |
|----|-------------------------------|-----|--|
| 1 | თავის დამჭერი | 14 | ISOFIX დამაკავშირებელი |
| 2 | სავარძლის ბალიში | 15 | ISOFIX მიმმართველი დეტალები |
| 3 | მზრის ღვედები | 16 | სისტემის ფეხის რეგულირების ღილაკი |
| 4 | ჩვილის ჩასასმელი | 17a | გარე ზემოქმედებისგან დამცავი ფრთები |
| 5a | სამაგრების რეგულირების ღილაკი | 17b | ფრთების უკან დაკეცვის ღილაკი |
| 5b | რეგულირების ჭკაცანი | 18 | ISOFIX რეგულირების ღილაკი |
| 6 | უსაფრთხოების ბალთა | 19 | ჩვილის გადასაცვანი მოდულის გაშვების ღილაკი |
| 7 | გვერდითი მიმმართველი დეტალები | 20 | სისტემის ფეხის ინდიკატორი |
| 8 | ეტლის გაშვების ღილაკი | 21 | ინსტრუქციის სახელმძღვანელოს შენახვის განყოფილება |
| 9 | ჩარდახის სამაგრი | | |
| 10 | ჩარდახი | | |
| 11 | სახელური | | |
| 12 | სახელურის ღილაკი | | |
| 13 | უკანა მიმმართველი დეტალი | | |



პროდუქტის გამოყენება

მონტაჟის დროს გასათვალისწინებელი საკითხები

ჩვილის გადასაყვანი ეს მოდული შესაფერისია სატრანსპორტო საშუალების სავარძლებისთვის i-ზომის ISOFIX საყრდენი წერტილებისთვის ბაზასთან. (1)

არ გამოიყენოთ ბავშვის გაძლიერებული შეკავების სისტემა ზურგით მდგომარეობაში ჯდომის პოზიციებში, სადაც დაყენებულია აქტიური წინა უსაფრთხოების ბალიში. ამას შეიძლება მოჰყვას სიკვდილი ან სერიოზული დაზავება. (2) გთხოვთ, წაიკითხოთ ავტომობილის მფლობელის ინსტრუქცია დამატებითი ინფორმაციის მისაღებად.

არ დააყენოთ ბავშვის გაძლიერებული შეკავების ეს სისტემა სატრანსპორტო საშუალების სავარძლებზე, რომლებიც გვერდით ან უკანა მხარეს დგას სატრანსპორტო საშუალების მოძრაობის მიმართულების მხრივ. (3)

რეკომენდებულია ბავშვის გაძლიერებული შეკავების სისტემის დაყენება სატრანსპორტო საშუალების უკანა სავარძელზე (4)

არ დააყენოთ ბავშვის გაძლიერებული შეკავების ეს სისტემა სატრანსპორტო საშუალების მოძრავ სავარძლებზე დაყენების დროს.

სახელურის რეგულირება

1 ჩვილის გადასაყვანი მოდულის სახელური შეიძლება დარეგულირდეს 3 პოზიციაზე. (5) საბავშვო სკამის პოზიცია. (5)-1 ბავშვის სკამზე დასმის პოზიცია. (5)-2 მანქანით, ხელითა თუ ეტლით გადაადგილების პოზიცია. (5)-3

- 2 სახელურის დასარეგულირებლად, მოუჭიროეთ სახელურის ღილაკებს ორივე მხარეს და გაათავისუფლეთ ის. (6)-1
- 3 დაატრიალეთ სახელური, სანამ დაწკაპუნებით არ ჩაჯდება 3 პოზიციიდან ნებისმიერში. (6)-2

დაყენება ბაზით

- 1 გახსენით სისტემის ფეხი სავაჯის განყოფილებიდან. (7)
- 2 მოარგეთ ISOFIX-ის მიმმართველი დეტალები ISOFIX-ის საყრდენ წერტილებს. (8) ISOFIX-ის მიმმართველ დეტალებს შეუძლიათ სატრანსპორტო საშუალების სავარძლის ზედაპირის დაცვა დახვევისგან. მათ მათ ასევე შეუძლიათ ISOFIX-ის დამაკავშირებლების მიმართვა.
- 3 დააჭირეთ ISOFIX-ის რეგულირების ღილაკს, რათა დაარეგულიროთ ISOFIX-ის დამაკავშირებლები. (9)
- 4 გაასწორეთ ISOFIX-ის დამაკავშირებლები ISOFIX-ის მიმმართველი დეტალების გასწვრივ, შემდეგ ჩასვით ორივე ISOFIX-ის დამაკავშირებელი ISOFIX-ის საყრდენ წერტილებში. (10)

! დარწმუნდით, რომ ორივე ISOFIX-ის დამაკავშირებელი უსაფრთხოდაა მიმაგრებული თავის ISOFIX-ის საყრდენ წერტილებთან. უნდა იყოს ორი ხმოვანი დაწკაპუნება და ISOFIX-ის ორივე დამაკავშირებლის ინდიკატორების ფერი უნდა იყოს სრულიად მწვანე. (10)-1

! შეამოწმეთ, რათა დარწმუნდეთ, რომ ბაზა უსაფრთხოდაა დაყენებული ორივე ISOFIX დამაკავშირებლის მოქაჩვით.

- 5 ბაზის სატრანსპორტო საშუალებაზე მოთავსების შემდეგ, დააგრძელებთ სისტემის ფენი იატაკამდე (11). როდესაც სისტემის ფენის ინდიკატორი აჩვენებს მწვანე ფერს, ეს ნიშნავს, რომ ის დაყენებულია სწორად, წითელი ნიშნავს, რომ არასწორადაა დაყენებული. (11)-2
- !** სისტემის ფენს 19 პოზიცია აქვს. როდესაც სისტემის ფენის ინდიკატორი აჩვენებს წითელ ფერს, ეს ნიშნავს, რომ სისტემის ფენი არასწორ პოზიციაშია.
- !** დარწმუნდით, რომ სისტემის ფენი სრულ კონტაქტშია სატრანსპორტო საშუალების იატაკის ძირზე.
- !** სისტემის ფენის დასამოკლებლად, მოუჭირეთ სისტემის ფენს აუშვით ღილაკი და მოქაჩეთ სისტემის ფენი ზემოთ. (11)-1 სრულად აწყობილი ბაზა ნაჩვენებია (12).
- !** ISOFIX-ის დამაკავშირებლები უნდა იყოს დამაგრებული და ჩაკეტილი ISOFIX-ის საყრდენ წერტილებზე. (12)-1
- !** სისტემის ფენი უნდა იყოს დაყენებული სწორად მწვანე ინდიკატორით. (12)-2
- 6 ბაზის მოსახსნელად, პირველ რიგში დააჭირეთ ჩაკეტვის მეორად ღილაკს (13)-1 და შემდეგ ღილაკს (13)-2, რომელიც მდებარეობს საკეტიან დამაკავშირებლებზე ბაზის სატრანსპორტო საშუალების სავარძლიდან მოხსნამდე.
- 7 დააჭირეთ ISOFIX-ის რეგულირების ღილაკს ISOFIX-ის დასაკეცად.
- 8 ჩასვით ჩვილის გადასაყვანი მოდული ბაზაში (14), თუ ბავშვის გაძლიერებული შეკავების სისტემა მყარადაა, გარე ზემოქმედებისგან დამცავი ფრთები გაიხსნება და ბავშვის გაძლიერებული შეკავების

სისტემის ინდიკატორი მწვანე ფერს აჩვენებს. (15) გარე ზემოქმედებისგან დამცავი ფრთა, რომელიც კარისგან შორსაა, შეიძლება დაიკეტოს, როგორც ეს ნაჩვენებია (16)-ზე, როდესაც არ იყენებთ.

- !** აქაჩეთ ჩვილის გადასაყვანი მოდული, რათა დარწმუნდეთ, რომ ის მყარადაა ჩაკეტილი ბაზაში.
- 9 ჩვილის გადასაყვანი მოდულის მოსახსნელად, მოქაჩეთ ბავშვის გაძლიერებული შეკავების სისტემა ზემოთ, და თან მოუჭირეთ ჩვილის გადასაყვანი მოდულის გაშვების ღილაკს. (17)

სიმაღლის რეგულირება

თავის დამჭერისა და მხრების ქამრებისათვის

გადაამოწმეთ, რომ მხრების ქამრები დაყენებულია სათანადო სიმაღლეზე. გთხოვთ, აირჩიოთ მხრების ქამრების სათანადო ღარები ბავშვის სიმაღლის მიხედვით.

- !** მხრების ქამრები უნდა იყოს თქვენი შვილის მხრების ანლოს(18), მაგრამ არა მხრების ხაზის ზევით. (19)
- !** თუ მხრების ქამრები არ არის სათანადო სიმაღლეზე, ავარიის შემთხვევაში ბავშვი შეიძლება ამოვარდეს ბავშვის გაძლიერებული შეკავების სისტემიდან.

მოქაჩეთ თავის დამჭერის რეგულირების სახელური (20), ამასობაში აქაჩეთ ან ჩამოქაჩეთ თავის დამჭერი სანამ ის არ ჩაიკეტება 7 პოზიციიდან ერთერთში. თავის დამჭერის პოზიციები ნაჩვენებია (21).

ბავშვის მიმაგრება

გამოიყენეთ ჩვილის ჩასასმელი



KA

როდესაც ბავშვს მოათავსებთ სავარძელში, შეამოწმეთ, რომ მხრების ქამრები სწორ სიმაღლეზეა.

- 1 ქამრის რეგულირების ღილაკის დაჭერის დროს, სრულად ამოქაჩეთ მხრების ორი ქამარი ბავშვის გაძლიერებული შეკავების სისტემიდან. (22)
 - 2 განსენით ქამრის ბალთა წითელი ღილაკის დაჭერით. (23)
 - 3 მოათავსეთ ბავშვი ჩვილის გადასაყვან მოდულში და ჩაკეტეთ ბალთა. (25) გთხოვთ, შეხედეთ (24)-ს.
 - 4 დაჭიმეთ მხრების ქამრები რეგულირების ჭაპნის მოქაჩვით. (26)
- !** დარწმუნდით, რომ ბავშვსა და მხრების ქამრებს შორის მანძილი დაახლოებით ერთი ხელის სისქეა.

ჩარდახი

- 1 ამოატრიალეთ გასახედი წინა ჩარდახის რკალის ქვემოდას. (27)
- 2 გამოიღეთ დრეკადი ჭკვიანი გასახედი გასახედის ორი ფენიდან. (28)
- 3 დაამაგრეთ მაგნიტები მანქანის სავარძლის წინა მხარეს, ყველა კუთხეში. (29)
- 4 უკან მდებარე ჭიტა შეიძლება გაინსნას გასანიაველად. (30)
ჩარდახის დასაკეცად, პირველ რიგში ამოატრიალეთ წინა ჩარდახის რკალის ქვეშ მყოფი გასახედი და შემდეგ ჩაკეცეთ დრეკადი ჭკვიანი გასახედი ქვემოდას.

რბილი ნივთების მოხსნა და აწყობა

ინილეთ სურათები (31)-(40)

რბილი ნივთების ხელახლა ასაწყობად, პირიქით შეასრულეთ ზემოთ მოყვანილი ნაბიჯები.

დაყენება ბაზის გარეშე

- 1 არ დააყენოთ ჩვილის გადასაყვანი მოდული სატრანსპორტო საშუალების სავარძლებზე, რომელთაც გააჩნიათ კალთის ქამრები. (41)
- 2 ჩვილის გადასაყვანი ეს მოდული შესაფერისია მხოლოდ იმ სატრანსპორტო საშუალების სავარძლებისთვის, რომელთაც გააჩნიათ 3 წერტილიანი შემწევი უსაფრთხოების ქამრები (ბაზის გარეშე). (42)
- 3 მოათავსეთ ჩვილის გადასაყვანი მოდული სატრანსპორტო საშუალების სავარძელზე, სადაც

KA

გსურთ მისი დამაგრება. ამოქაჩეთ სატრანსპორტო საშუალების უსაფრთხოების ქამარი და ჩაკეტეთ იგი სატრანსპორტო საშუალების ბალთის მეშვეობით, და თან ჩაუშვით სატრანსპორტო საშუალების კალთის ქამარი ჩვილის გადასაყვანი მოდულის გვერდით მიმართველ დეტალებში. (43)

! არ შეიძლება ჩვილის გადასაყვანი მოდულის გამოყენება, თუ სატრანსპორტო საშუალების უსაფრთხოების ქამრის ბალთა (დედალი ბალთის ბოლო) ზედმეტად გრძელია ჩვილის გადასაყვანი მოდულის მჭიდროდ გამყარებისთვის. (43)-1

4 შეაცურეთ დიაგნოზალური ქამარი უკან მიმართველ დეტალში. (44)

5 მოქაჩეთ სატრანსპორტო საშუალების მხრის ქამარი, რათა მჭიდროდ და უსაფრთხოდ დაამაგროთ ჩვილის გადასაყვანი მოდული. (45)

6 ჩვილის გადასაყვანი მოდულის დონის ხაზი უნდა უსწორდებოდეს იატაკის დონეს, როდესაც ჩვილის გადასაყვანი მოდული დაყენდება. (46)

! დაჭიმეთ სატრანსპორტო საშუალების ქამარი რამდენადაც შესაძლებელია, და გადაამოწმეთ, რომ ის არც ზედმეტად მოშვებულია, და არც გადატრიალებულია.

! ჩვილის გადასაყვანი მოდულის დაყენების შემდეგ, ყოველთვის შეამოწმეთ, რომ სატრანსპორტო საშუალების ქამრები მიმართულია სწორად და მჭიდროდაა დამაგრებული სატრანსპორტო საშუალების ბალთის მეშვეობით. (47)

დაყენება თვითმფრინავში

! გაითვალისწინეთ, რომ ბავშვის უსაფრთხოების უზრუნველყოფა ვერ მოხდება დაყენებისა და ინსტრუქციის სახელმძღვანელოში მოყვანილი რეკომენდაციების გაითვალისწინებლობის შემთხვევაში.

! გაითვალისწინეთ, რომ ჩვილის გადასაყვანი მოდულის დაყენება თვითმფრინავის სავარძელში განსხვავდება მანქანის სავარძელში დაყენებისგან.

! გაითვალისწინეთ, რომ 2 წერტილიანი კალთის ქამრის დამაგრება მხოლოდ თვითმფრინავშია დაშვებული.

! გაითვალისწინეთ, რომ ჩვილის გადასაყვანი მოდული უნდა იყოს ქამრის დამაგრებული თვითმფრინავის სავარძელზე მაშინაც კი, როდესაც ის ცარიელია.

! გაითვალისწინეთ, რომ ჩვილის გადასაყვანი მოდულის გამოყენება შესაძლებელია მხოლოდ ავიაკომპანიის მიერ ნებადართულ სამგზავრო სავარძელზე.

! გთხოვთ, ჩვილის გადასაყვანი მოდული არ გამოიყენოთ უსაფრთხოების ბალიშის განლაგების ზონაში. (2)

! გაითვალისწინეთ, რომ ჩვილის გადასაყვანი მოდულის ზურგით მდგომარეობაში დაყენება შესაძლებელია მხოლოდ წინა პოზიციაში მყოფი სამგზავრო სავარძელზე. (48)

როგორ დავაყენოთ ჩვილის გადასაყვანი მოდული თვითმფრინავის სავარძელზე არსებული უსაფრთხოების ქამრის მეშვეობით:

1 მოათავსეთ ჩვილის გადასაყვანი მოდული სამგზავრო სავარძელზე ფრენის მიმართულების საწინააღმდეგო მხარეს.

- 2 დარწმუნდით, რომ გადასატანი სახელური ყველაზე მაღალ პოზიციაშია.
 - 3 მოათავსეთ უსაფრთხოების ქამარი ქამრის ორივე მიმართველ დეტალში.
 - 4 ჩაკეტეთ უსაფრთხოების ქამარი (იხილეთ ავიაკომპანიის მიერ დაწესებული უსაფრთხოების წესები).
 - 5 დაჭიმეთ უსაფრთხოების ქამარი ქამრის ბოლოს მოქაჩვით. (49)
- !** უსაფრთხოების ქამრის ბალთა არავითარ შემთხვევაში არ უნდა მდებარეობდეს მუქი მწვანე ქამრის მიმართველ დეტალებში. (50)

მონხნა:

გახსენით უსაფრთხოების ქამარი (იხილეთ ავიაკომპანიის მიერ დაწესებული უსაფრთხოების წესები). ახლა თქვენ შეგიძლიათ ჩვილის გადასაყვანი მოდულის სამგზავრო სავარძლიდან გადმოღება.

დასუფთავება და უზრუნველყოფა

ჩარჩო, პლასტიკური ნაწილები და ქსოვილი გაასუფთავეთ ნესტიანი ქსოვილით, მაგრამ არ გამოიყენოთ აბრაზიული ნივთიერებები ან მათეთრებელი. არ გამოიყენოთ სილიკონის საპონი, რადგან ის აიკრავს ჭუჭყსა და მტვერს.

ხანგრძლივი პერიოდის განმავლობაში გამოყენების უზრუნველსაყოფად, გაწმინდეთ ეს ნივთი რბილი, შთანმთქმელი ქსოვილით წვიმიან ამინდში გამოყენების შემდეგ.

იხილეთ რბილი ნივთებზე მიმაგრებული მოვლის ეტიკეტები რეცხვის და გაშრობის ინსტრუქციების სანახავად.

ნაჭრისთვის მზისგან ფერის ცვლილება და გახუნება ხანგრძლივი პერიოდის გამოყენების შემდგომ ჩვეულებრივი ამბავია, მაშინაც კი, როდესაც ნორმალური მოხმარების პირობებშიც კი.

უსაფრთხოების მიზნით, გამოიყენეთ მხოლოდ Nuna-ს მიერ დამზადებული ორიგინალი Bugaboo-ს ნაწილები.

რეგულარულად გადაამოწმეთ, რომ ყველაფერი სათანადოდ მუშაობს. თუ რომელიმე ნაწილი გახეული, დამტვრეული ან დაკარგულია, აღარ გამოიყენოთ ეს ნივთი.

აქ მოცემული ინფორმაცია ექვემდებარება ცვლილებას გაფრთხილების გარეშე. Bugaboo International BV-ს პასუხისმგებლობა არ ეკისრება მასში მოცემულ ტექნიკურ შეცდომებსა თუ ხარვეზებზე. შექნილი პროდუქტი შეიძლება განსხვავდებოდეს პროდუქტისგან, როგორც ეს აღწერილია ამ მომხმარებლის სახელმძღვანელოში. ჩვენი უახლესი მომხმარებლის სახელმძღვანელოების მოთხოვნა შეგიძლიათ ჩვენს მომსახურების განყოფილებაში ან საიტზე www.bugaboo.com.

© 2019 Bugaboo International BV. BUGABOO, BUGABOO CAMELEON, BUGABOO BEE, BUGABOO DONKEY, BUGABOO FOX, BUGABOO TURTLE, BUGABOO ANT, BUGABOO LYNX, BUGABOO STARDUST და Bugaboo ლოგოები რეგისტრირებული სავაჭრო ნიშნებია. The Bugaboo® ეტიკეტის პატენტი და დიზაინი დაცულია.

© NUNA International B.V. Nuna და ყველა ასოცირებული ლოგო სავაჭრო ნიშნებია.

**DŮLEŽITÉ
UPOZORNĚNÍ!
TYTO INSTRUKCE
USCHOVEJTE PRO
BUDOUCÍ POUŽITÍ:
ČTĚTE POZORNĚ**

Obsah

Informace o výrobku	144
Registrace výrobku	144
Zákaznický servis	144
Vhodnost použití	145
Pro použití se základním dílem	146
Varování	148
Seznam součástí	154
Použití výrobku	156
Čištění a údržba	164

Svenska (SV)	2
Русский (RU)	24
Português (PT)	48
Polisch (PL)	72
Íslensku (IS)	96
ქართული (KA)	118
Čeština (CS)	142
Hrvatski (HR)	166
עברית (HE)	190

Informace o výrobku

Číslo modelu: _____

Datum výroby: _____

Registrace výrobku:

Vyplňte výše uvedené informace. Číslo modelu a datum výroby se nacházejí na dolní části Bugaboo Turtle Air by Nuna.

Pro registraci výrobku navštivte:

<https://service.bugaboo.com/ProductRegistrationForm>

Společnost Nuna záměrně vyvinula a vyrobila tento výrobek tak, aby splňoval vysoké požadavky společností Nuna a Bugaboo v oblasti kvality. Při kontaktování našeho servisu si připravte nákupní doklad, číslo modelu a datum výroby. Váš telefonát ohledně Bugaboo Turtle Air by Nuna vyřídí společnost Bugaboo.

Informace ohledně záruky k výrobku Bugaboo Turtle Air by Nuna získáte na: www.bugaboo.com/warranty

CS

Zákaznický servis

V případě dotazů můžete najít odpověď na našich webových stránkách www.bugaboo.com. Pokud potřebujete kontaktovat náš mezinárodní servisní tým, rádi Vám pomůžeme! Budeme se věnovat všem Vaším případným dotazům a připomínkám k našim výrobkům a službám. Neváhejte nás kontaktovat. Na základě Vašich podnětů můžeme dále zlepšovat naše výrobky a služby.

Vyberte si upřednostňovaný způsob kontaktu:

Telefon, +31-207189531

E-mail, service@bugaboo.com

Kontaktní formulář přes bugaboo.com,
www.bugaboo.com/support

Twitter, @Bugaboo

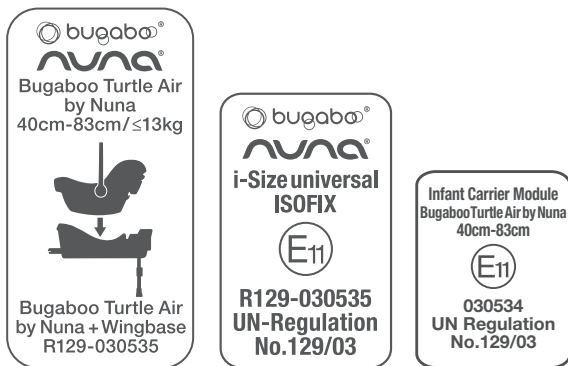
Vhodnost použití

Tento výrobek je vhodný pro děti, které splňují následující požadavky:

Obrázek pro montáž	Vhodné pro
	Výška dítěte 40 cm – 83 cm / Hmotnost dítěte ≤13 kg (věk cca 15 měsíců nebo mladší)
	Výška dítěte 40 cm – 83 cm Hmotnost dítěte ≤13 kg Věk dítěte ≤15 měsíců

CS

Pro použití se základním dílem



- 1 i-Size (Integral Universal ISOFIX Enhanced Child Restraint Systems) je kategorií zdokonaleného dětského zadržného systému primárně určeného pro použití na všech místech k sezení i-Size ve vozidle.
- 2 Podle předpisu OSN č. 129 je zdokonalený dětský zadržný systém univerzálním zdokonaleným dětským zadržným systémem ISOFIX a musí se montovat pomocí přípojek ISOFIX.
- 3 Toto je zdokonalený dětský zadržný systém i-Size . Je schválený podle předpisu OSN č. 129 pro použití na všech místech k sezení kompatibilních s i-Size, jak uvádí výrobci vozidel v uživatelské příručce k vozidlu.

- 4 Toto je univerzální pásový zdokonalený dětský zadržný systém. Je schválený podle předpisu OSN č. 129 pro použití primárně na univerzálních místech k sezení, jak uvádí výrobci vozidel v uživatelské příručce k vozidlu.
- 5 Jste-li na pochybách, obraťte se buď na výrobce, nebo na prodejce zdokonaleného dětského zadržného systému.

VAROVÁNÍ

Nedodržení těchto varování a pokynů by mohlo mít za následek vážné zranění nebo smrt.

Všechny popruhy přidržující modul pro přepravu kojenců k vozidlu musí být pevně utažené, aby každá opěrná noha byla v kontaktu s podlahou vozidla, aby všechny popruhy zadržující dítě byly upraveny podle těla dítěte a aby popruhy nebyly překroucené.

Zavazadla nebo jiné předměty, které by mohly způsobit zranění v případě srážky, se musí řádně zajistit.

Ujistěte se, že je zdokonalený dětský zádržný systém nainstalovaný tak, aby žádná z jeho částí nenarušovala pohyb sedadel ani ovládání dveří vozidla.

Před přenášením modulu pro přepravu kojenců v ruce se ujistěte, že je dítě připoutané dětským postrojovým pásem a že je držadlo správně zajištěné ve svislé poloze.

V záležitostech údržby, oprav a výměny součástí kontaktujte distributora.

Správná montáž je povolena pouze pomocí konektorů ISOFIX.

Často kontrolujte, že vedení ISOFIX není znečištěné, a podle potřeby je očistěte. Nečistoty, prach, části jídla atd. mohou ovlivnit spolehlivost fungování.

Dříve, než zakoupíte tento zdokonalený dětský zádržný systém, ujistěte se, že ho můžete namontovat do svého vozidla.

Tento zdokonalený dětský zádržný systém bez textilního krytu nenechávejte na přímém slunci, protože může být pro dětskou pokožku příliš horký. Vždy vyzkoušejte zdokonalený dětský zádržný systém na omak, než do něj dítě umístíte.

Abyste mohli používat tento zdokonalený dětský zádržný systém s konektory ISOFIX podle předpisu OSN č. 129, musí vaše dítě splňovat následující požadavky.

Výška dítěte 40 cm – 83 cm / Hmotnost dítěte ≤ 13 kg (přibližně ve věku 15 měsíců nebo mladší).

Abyste mohli používat tento modul pro přepravu kojenců s bezpečnostním pásem, musí vaše dítě splňovat následující požadavky.

Výška dítěte 40 cm – 83 cm.

Hmotnost dítěte ≤ 13 kg / Věk dítěte ≤ 15 měsíců.

Měkké části zdokonaleného dětského zádržného systému se nesmí nahrazovat jinými součástmi, než které doporučí výrobce, protože tyto měkké části tvoří nedílnou součást fungování zádržného systému.

Aby dítě nevypadlo, vždy ho po vložení do modulu pro přepravu kojenců zajistěte pomocí popruhů, a to i v případě, kdy není dětský zádržný systém ve vozidle.

Aby nedošlo k vážnému zranění nebo smrti, NIKDY nepokládejte modul pro přepravu kojenců s dítětem na vyvýšený povrch.

Části tohoto zdokonaleného dětského zádržného systému se nesmí nijak mazat.

Pokud modul pro přepravu kojenců pravidelně nepoužíváte, vyjměte ho včetně základního dílu ze sedadla vozidla.

Dítě VŽDY ve zdokonaleném dětském zádržném systému zajistěte, a to i při krátkých jízdách, protože při nich dochází nejčastěji k nehodám.

NIKDY nenechávejte dítě bez dohledu ve zdokonaleném dětském zádržném systému.

NIKDY nepoužívejte zdokonalený dětský zádržný systém z druhé ruky ani zdokonalený dětský zádržný systém, u něhož neznáte historii používání, protože u něj mohlo dojít ke konstrukčnímu poškození, které ohrožuje bezpečnost vašeho dítěte.

NIKDY k zajištění zdokonaleného dětského zádržného systému ve vozidle nebo k zajištění dítěte ve zdokonaleném dětském zádržném systému nepoužívejte provazy ani jiné náhražky.

ŽÁDNÝ zdokonalený dětský zádržný systém nemůže zaručit úplnou ochranu před zraněním během nehody. Správné používání zdokonaleného dětského zádržného systému však může snížit riziko vážného zranění nebo smrti vašeho dítěte.

NIKDY nepoužívejte zdokonalené dětské zádržné systémy směřující dozadu na místech k sezení, kde je nainstalovaný aktivní čelní airbag. Může dojít ke smrti nebo vážnému zranění. Více informací najdete v uživatelské příručce k vozidlu.

NIKDY nepokládejte žádné předměty do prostoru opěrné nohy před základnou.

NIKDY nepoužívejte žádné nosné kontaktní body, než které popisuje návod a než které jsou vyznačeny na zdokonaleném dětském zádržném systému.

NIKDY nepokračujte v používání tohoto zdokonaleného dětského zádržného systému, pokud byl používán v průběhu jakékoli autonehody, a to i drobné. Okamžitě ho vyměňte, protože v důsledku nehody mohlo dojít k jeho neviditelnému, konstrukčnímu poškození.

Při montáži tohoto zdokonaleného dětského zádržného systému se VŽDY řiďte pokyny v této příručce, protože v opačném případě můžete vystavit své dítě vážnému nebezpečí zranění nebo smrti.

NIKDY neprovádějte žádné úpravy tohoto zdokonaleného dětského zádržného systému ani ho nepoužívejte se součástmi od jiných výrobců.

NIKDY nepoužívejte zdokonalený dětský zádržný systém bez měkkých součástí.

NIKDY nepoužívejte tento zdokonalený dětský zádržný systém, pokud jsou jeho části poškozené nebo schází.

NIKDY své dítě neoblékejte do velkých / nadměrných oděvů, protože mohou bránit ve správném a bezpečném připoutání dítěte pomocí ramenních popruhů a rozkrokového popruhu.

NIKDY nenechávejte tento zdokonalený dětský zádržný systém ani jiné předměty ve vozidle nepřipoutané a nezajištěné, protože při prudkém odbočení, náhlém zastavení nebo srážce může dojít k vymrštění dětského zádržného systému a zranění pasádky vozidla.

NIKDY do tohoto zdokonaleného dětského zádržného systému nevkládejte jiné než doporučené vnitřní polštáře.

VAROVÁNÍ

Používání sedačky jako polohovací kolébky

Používání sedačky jako polohovací kolébky.

Vždy používejte zádržný systém.

Sedačku NIKDY nepoužívejte jako polohovací kolébku, jakmile vaše dítě dokáže sedět bez pomoci.

NIKDY nepoužívejte sedačku, pokud jsou některé součásti poškozené nebo scházejí.

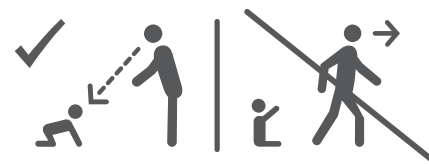
NIKDY nepoužívejte příslušenství ani náhradní díly, které nejsou schválené výrobcem.

Je nebezpečné používat tuto sedačku na vyvýšené ploše, např. na stole.

NIKDY nenechávejte dítě bez dozoru.

Tato sedačka není určena k dlouhému spánku.

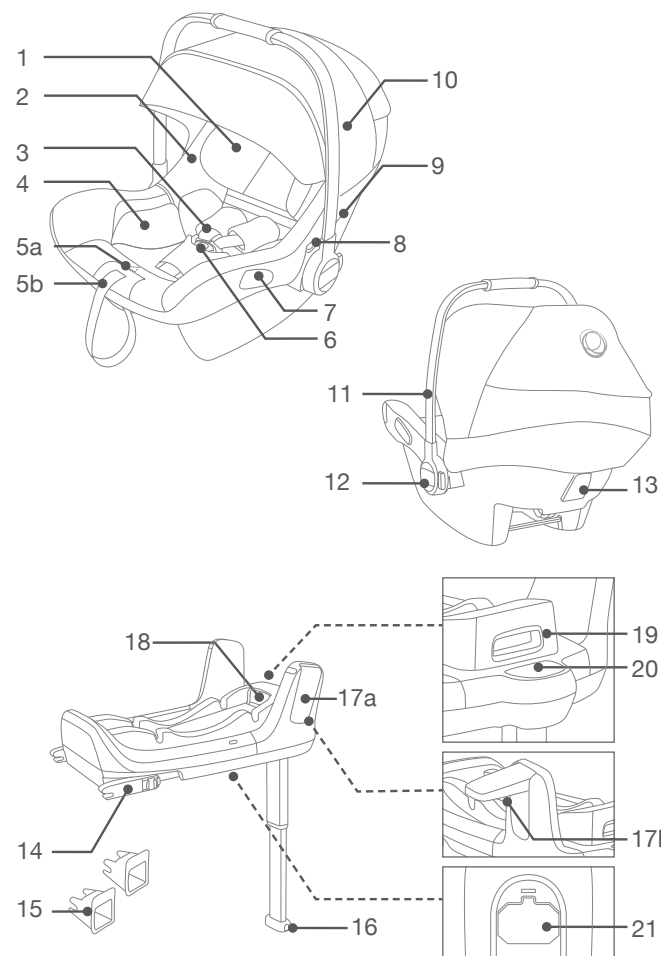
Tato sedačka nenahrazuje dětskou postýlku nebo postel. Pokud vaše dítě potřebuje spát, uložte ho do vhodné dětské postýlky nebo do postele.



Seznam součástí

Před montáží se ujistěte, že máte k dispozici všechny součásti. Modul pro přepravu kojenců a základna se mohou prodávat samostatně. Pokud některá součást schází, kontaktujte společnost Bugaboo (informace viz strana 144). K montáži nejsou zapotřebí žádné nástroje.

- | | | | |
|----|--------------------------------|-----|---|
| 1 | Opěrka hlavy | 14 | Konektor ISOFIX |
| 2 | Sedák | 15 | Vedení ISOFIX |
| 3 | Ramenní popruhy | 16 | Nastavovací tlačítko opěrné nohy |
| 4 | Dětská vložka | 17a | Ochranná křídélka proti bočnímu nárazu |
| 5a | Tlačítko pro nastavení pásu | 17b | Tlačítko pro sklopení boční opěrky |
| 5b | Nastavovací popruhy | 18 | Nastavovací tlačítko ISOFIX |
| 6 | Bezpečnostní přezka | 19 | Uvolňovací tlačítko modulu pro přepravu kojenců |
| 7 | Boční vedení | 20 | Ukazatel opěrné nohy |
| 8 | Tlačítko k uvolnění od kočárku | 21 | Příhrádka pro uložení návodu k obsluze |
| 9 | Držák stříšky | | |
| 10 | Stříška | | |
| 11 | Držadlo | | |
| 12 | Tlačítko držadla | | |
| 13 | Zadní vedení | | |



Použití výrobku

K montáži

Tento modul pro přepravu kojenců je vhodný pro sedadla vozidel opatřená kotevními body pro i-Size ISOFIX se základnou. (1)

NIKDY nepoužívejte zdokonalené dětské zádržné systémy směřující dozadu na místech k sezení, kde je nainstalovaný aktivní čelní airbag. Může dojít ke smrti nebo vážnému zranění. (2) Více informací najdete v uživatelské příručce k vozidlu.

NIKDY nemontujte tento zdokonalený dětský zádržný systém na sedadla vozidla, která směřují do stran nebo dozadu vzhledem ke směru jízdy vozidla. (3)

Doporučujeme, abyste tento zdokonalený dětský zádržný systém namontovali na zadní sedadlo vozidla. (4)

NIKDY nemontujte tento zdokonalený dětský zádržný systém na sedadla vozidla, která se během montáže pohybují.


Nastavení držadla


- 1 Držadlo modulu pro přepravu kojenců můžete nastavit do 3 poloh. (5) Poloha dětské židličky. (5)-1 Poloha pro vložení dítěte do sedačky. (5)-2 Poloha pro přepravu vozem, v ruce nebo na kočárku. (5)-3
- 2 Pokud potřebujete nastavit držadlo, uvolněte je stiskem tlačítek na obou stranách. (6)-1

- 3 Otáčejte držadlem, dokud nezapadne do jedné ze 3 poloh. (6)-2


Montáž se základnou

- 1 Opěrnou nohu vyklopte z úložné přihrádky. (7)
- 2 Na vedení ISOFIX nasadte kotevní body ISOFIX. (8) Vedení ISOFIX může chránit povrch sedadla vozu před protržením. Může také vést konektory ISOFIX.
- 3 Stiskem nastavovacího tlačítka ISOFIX nastavte konektory ISOFIX. (9)
- 4 Srovnajte konektory ISOFIX s vedením ISOFIX a potom zacvakněte oba konektory ISOFIX do kotevních bodů ISOFIX. (10)

 Ujistěte se, že jsou oba konektory ISOFIX bezpečně připevněné ke kotevním bodům ISOFIX. Musí se ozvat dvě jasně slyšitelná cvaknutí a ukazatele na obou konektorech ISOFIX musí být celé zelené. (10)-1

 Zatažením za oba konektory ISOFIX zkontrolujte, že je základna bezpečně namontovaná.

- 5 Po umístění základny na sedadlo vozidla vytáhněte opěrnou nohu k podlaze (11). Když bude ukazatel opěrné nohy zelený, znamená to, že je namontovaná správně, červená znamená, že je noha namontovaná nesprávně. (11)-2

 Opěrná noha má 19 poloh. Když je ukazatel opěrné nohy červený, znamená to, že je opěrná noha ve špatné poloze.

- ⚠ Ujistěte se, že je opěrná noha v plném kontaktu s podlahou vozidla.
 - ⚠ Pro zkrácení opěrné nohy stiskněte uvolňovací tlačítko opěrné nohy a vytáhněte nohu nahoru. (11)-1
Zcela smontovaná základna je na obrázku (12).
 - ⚠ Konektory ISOFIX se musí připevnit a zajistit do kotevních bodů ISOFIX. (12)-1
 - ⚠ Opěrná noha se musí namontovat správně podle zeleného ukazatele. (12)-2
- 6 Při demontáži základny stiskněte nejprve tlačítko sekundárního zámku (13)-1, potom tlačítko (13)-2 na konektorech zámků a vyjměte základnu ze sedadla vozidla.
- 7 Stiskem nastavovacího tlačítka ISOFIX složte ISOFIX.
- 8 Zatlačte modul pro přepravu kojenců do základny (14); pokud je zdokonalený dětský zádržný systém zajištěný, ochranná křídélka proti bočnímu nárazu se otevřou a ukazatel zdokonaleného dětského zádržného systému bude zelený. (15) Ochranné křídélko proti bočnímu nárazu, které je dál ode dveří, můžete zavřít podle obrázku (16), pokud je nepoužíváte.
- ⚠ Zatažením za modul pro přepravu kojenců směrem nahoru zkontrolujte, že je bezpečně zajištěný k základně.

- 9 Pro uvolnění modulu pro přepravu kojenců zatáhněte za zdokonalený dětský zádržný systém směrem nahoru a současně stiskněte uvolňovací tlačítko modulu pro přepravu kojenců. (17)

Nastavení výšky

opěrky hlavy a ramenních popruhů

Zkontrolujte, že ramenní popruhy jsou nastavené ve správné výšce. Zvolte si vhodný pár otvorů pro ramenní popruhy podle výšky dítěte.

- ⚠ SRamenní popruhy musí být co nejbližší u ramen dítěte (18), ale nesmí být nad linií ramen. (19)
- ⚠ Pokud nebudou ramenní popruhy ve správné výšce, může v případě nehody dojít k vyražení dítěte ze zdokonaleného dětského zádržného systému.

Zatáhněte za nastavovací páku opěrky hlavy (20), a současně vytáhněte nebo stlačte opěrku hlavy, až zapadne do jedné ze 7 poloh. Polohy opěrky hlavy ukazuje obrázek (21).

Zajištění dítěte

Použitje dětskou vložku



Po vložení dítěte do sedačky zkontrolujte, zda jsou ramenní popruhy ve správné výšce.

- 1 Po vložení dítěte do sedačky zkontrolujte, zda jsou ramenní popruhy ve správné výšce.
 - 2 Stiskněte nastavovací tlačítko popruhu a zcela vytáhněte oba ramenní popruhy zdokonaleného dětského zádržného systému. (22)
 - 3 Rozepněte přezku popruhů stiskem červeného tlačítka. (23)
 - 4 Dítě vložte do modulu pro přepravu kojenců a zajistěte přezku. (25) Viz obrázek (24).
 - 5 Utáhněte ramenní popruhy zatažením za nastavovací popruhy. (26)
- ⚠ Ujistěte se, že mezi dítětem a ramenními popruhy je volný prostor asi na tloušťku dlaně.

Stříška

- 1 Vyklopte sluneční štítek zpod oblouku přední stříšky. (27)
- 2 Vytáhněte výsuvný chytrý štítek mezi oběma vrstvami štítku. (28)
- 3 Do každého rohu přední strany autosedačky připevněte magnety. (29)
- 4 Průhled v zadní části můžete otevřít kvůli ventilaci. (30) Při sklápění stříšky nejprve sklopte štítek zpátky pod oblouk přední stříšky a potom složte dolů výsuvný chytrý štítek.

Odpojení a montáž měkkých součástí

viz obrázky (31)–(40)

Při opětovné montáži měkkých součástí postupujte v opačném pořadí.

Montáž se základnou

- 1 NIKDY nemontujte modul pro přepravu kojenců na sedadla vozidla s bříšními pásy. (41)
- 2 Tento modul pro přepravu kojenců je vhodný pouze pro sedadla s tříbodovým navíjecím bezpečnostním pásem (bez základny). (42)

3 Modul pro přepravu kojenců umístěte na sedadlo vozidla, kde ho chcete používat. Vytáhněte bezpečnostní pás vozidla ven a zajistěte ho do přezky vozidla; přitom zasuňte břišní pás do bočního vedení modulu pro přepravu kojenců. (43)

! Modul pro přepravu kojenců není možné používat, pokud je přezka bezpečnostního pásu vozidla (samičí konec přezky) příliš dlouhá, aby pevně ukotvila modul pro přepravu kojenců. (43)-1

4 Diagonální pás zasuňte do zadního vedení. (44)

5 Vytáhněte ramenní pás vozidla a pevně a bezpečně zajistěte modul pro přepravu kojenců. (45)

6 Vodorovná rovina modulu pro přepravu kojenců musí být rovnoběžná se zemí, když je modul pro přepravu kojenců namontovaný. (46)

! Bezpečnostní pás vozidla napněte co nejvíce a zkontrolujte, že není volný ani překroucený.

! Po namontování modulu pro přepravu kojenců vždy zkontrolujte, že jsou pásy vozidla správně vedené a bezpečně zajištěné v přezce vozidla. (47)

Montáž v letadle

! Mějte na paměti, že v případě nedodržení návodu k montáži není zaručena bezpečnost dítěte.

! Montáž modulu pro přepravu kojenců na sedadlo v letadle se liší od montáže na sedadlo ve vozidle.

! V letadle je povoleno pouze dvoubodové připevnění břišního pásu.

! Modul pro přepravu kojenců musí zůstat připoutaný na sedadle letadla i v případě, že v něm nebude dítě.

! Modul pro přepravu kojenců slouží pouze k použití na sedadle pro cestující schváleném leteckou společností.

! Varujeme před používáním modulu pro přepravu kojenců v prostoru rozvinutí airbagu. (2)

! Modul pro přepravu kojenců směřující dozadu se smí montovat pouze na sedadla pro cestující směřující dopředu. (48)

Jak namontovat modul pro přepravu kojenců pomocí bezpečnostního pásu sedadla v letadle:

1 Modul pro přepravu kojenců umístěte na sedadlo proti směru letu.

2 Zkontrolujte, že je přepravní držadlo zcela nahoře.

3 Bezpečnostní pás zasuňte do obou vedení pásu.

4 Bezpečnostní pás zavřete (viz bezpečnostní pokyny letecké společnosti).

5 Bezpečnostní pás utáhněte zatažením za konec pásu. (49)

! Přezka bezpečnostního pásu se za žádných okolností nesmí nacházet mezi tmavě zeleným vedením pásu. (50)

Vyjmutí: Otevřete bezpečnostní pás (viz bezpečnostní pokyny letecké společnosti). Nyní můžete vyjmout modul pro přepravu kojenců ze sedadla.

Čištění a údržba

Rám, plastové součásti a látku čistěte vlhkou utěrkou, ale nepoužívejte brusiva ani bělidla. Nepoužívejte silikonová mazadla, protože budou přitahovat špínu a nečistoty.

Abyste zajistili dlouhodobé používání, otřete tento výrobek po použití v dešti měkkou savou látkou.

Pokud jde o pokyny pro praní a sušení, řiďte se štítky pro péči připevněnými k měkkým součástem.

Je běžné, že látka změní barvu vlivem slunečního záření a že po delší době používání dojde k jejímu opotřebení, a to i při normálním používání.

Z bezpečnostních důvodů použijte pouze originální součásti Bugaboo by Nuna.

Pravidelně kontrolujte, že všechno správně funguje. Pokud budou některé součásti roztržené, rozbité nebo budou scházet, přestaňte výrobek používat.

CS

CS

Uvedené informace podléhají změně bez předchozího upozornění. Společnost Bugaboo International BV nenese odpovědnost za obsažené technické chyby nebo opomenutí. Zakoupený výrobek se může lišit od výrobku popsaneho v této uživatelské příručce. Nejnovější uživatelské příručky si můžete vyžádat v našich servisních odděleních nebo na www.bugaboo.com.

© 2019 Bugaboo International BV. BUGABOO, BUGABOO CAMELEON, BUGABOO BEE, BUGABOO DONKEY, BUGABOO FOX, BUGABOO TURTLE, BUGABOO ANT, BUGABOO LYNX, BUGABOO STARDUST a loga Bugaboo jsou registrované ochranné známky. Kočárky Bugaboo® jsou patentované a chráněné ochrannými vzory.

© NUNA International B.V. Nuna a všechna související loga jsou ochranné známky.

VAŽNO!
ČUVAJTE OVE UPUTE
ZA BUDUĆU UPORABU:
PAŽLJIVO PROČITAJTE

Sadržaj

Informacije o proizvodu	168
Registracija proizvoda	168
Služba za korisnike	168
Zahtjevi za dječju upotrebu	169
Za upotrebu s bazom	170
Upozorenja	172
Popis dijelova	178
Upotreba proizvoda	180
Čišćenje i održavanje	188

Svenska (SV)	2
Русский (RU)	24
Português (PT)	48
Polisch (PL)	72
Íslensku (IS)	96
ქართული (KA)	118
Čeština (CS)	142
Hrvatski (HR)	166
עברית (HE)	190

Informacije o proizvodu

Broj modela: _____

Proizvedeno (datum): _____

Registracija proizvoda

Ispunite prethodno navedene informacije. Broj modela i datum proizvodnje nalaze se na donjoj strani proizvoda Bugaboo Turtle Air by Nuna.

Da biste registrirali proizvod, posjetite stranicu:
<https://service.bugaboo.com/ProductRegistrationForm>

Društvo Nuna namjerno je razvilo i proizvelo ovaj proizvod kako bi zadovoljilo visoke standarde kvalitete društava Nuna i Bugaboo. Pri ruci imajte dokaz kupnje, broj modela i datum proizvodnje kada zovete u vezi sa servisom. Bugaboo će preuzet vaš poziv o proizvodu Bugaboo Turtle Air by Nuna.

Informacije o jamstvu za ovaj Bugaboo Turtle Air by Nuna potražite na stranici: www.bugaboo.com/warranty

Služba za korisnike

Ako imate pitanje, možda možete pronaći odgovor na našem web-mjestu www.bugaboo.com. Ako se trebate obratiti našem međunarodnom servisnom timu, uvijek se radujemo vašem javljanju! Dostupni smo odgovoriti na sva pitanja, nedoumice ili komentare koje možda imate u vezi s našim proizvodima i uslugama. Ne oklijevajte obratiti nam se. Vaše povratne informacije pomažu nam da poboljšamo naše proizvode i usluge.

Izaberite željenu metodu kontakta:

Telefon, +31-207189531

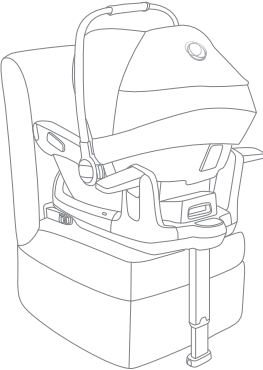
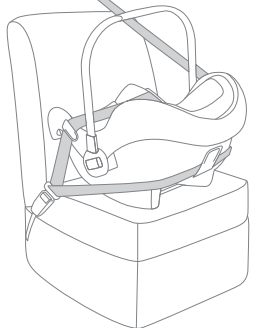
E-pošta, service@bugaboo.com

Obrazac za kontakt putem bugaboo.com,
www.bugaboo.com/support

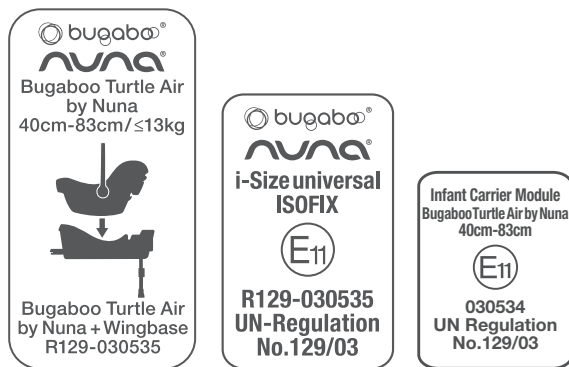
Twitter, @Bugaboo

Zahtjevi za dječju upotrebu

Ovaj je proizvod prikladan za upotrebu s djecom koja ispunjavanju sljedeće zahtjeve:

Slika za postavljanje	Prikladno za
	Dijete visine 40 cm – 83 cm / Dijete težine ≤ 13 kg (približne dobi od 15 mjeseci ili mlađe)
	Dijete visine 40 cm – 83 cm Dijete težine ≤ 13 kg Dijete u dobi od ≤ 15 mjeseci

Za upotrebu s postoljem



- 1 „i-Size” (integralni univerzalni unaprijeđeni sustavi za sigurnosno vezivanje djeteta ISOFIX) kategorija je unaprijeđenog sustava za sigurnosno vezivanje djeteta koji je prvenstveno namijenjen upotrebi u svim položajima sjedenja i-Size u vozilu.
- 2 Prema Pravilniku UN-a br. 129 unaprijeđena sjedalica za sigurnosno vezivanje djeteta s postoljem jest univerzalna unaprijeđena za sigurnosno vezivanje djeteta ISOFIX i trebalo bi je pričvrstiti s pomoću priključaka ISOFIX.
- 3 Ovo je unaprijeđeni sustav za sigurnosno vezivanje djeteta „i-Size”. Odobren je prema Pravilniku UN-a br. 129 za upotrebu u vozilima kompatibilnim sa svim sjedećim mjestima i-Size koje su proizvođači naveli u korisničkom priručniku vozila.

- 4 Ovo je univerzalni unaprijeđeni sustav za sigurnosno vezivanje djeteta pojasom. Odobren je prema Pravilniku UN-a br. 129 za upotrebu prvenstveno u univerzalnim djedećim mjestima koja su proizvođači naveli u korisničkom priručniku vozila.
- 5 Ako imate nedoumica, obratite se proizvođaču ili prodavaču unaprijeđenog sustava za sigurnosno vezivanje djeteta.

UPOZORENJE

Nepridržavanje ovih upozorenja i uputa može dovesti do ozbiljne ozljede ili smrti.

Sve trake koje pričvršćuju modul nosiljke za dojenčad za vozilo trebaju biti čvrsto zategnute, svaka potporna noga mora biti u kontaktu s podom vozila, sve trake koje vežu dijete treba se prilagoditi tijelu djeteta i trake se ne smiju uvrnuti.

Sva prtljaga ili drugi predmeti koji u slučaju sudara mogu prouzročiti ozljede moraju biti pravilno pričvršćeni.

Obvezno provjerite je li unaprijedena sjedalica za sigurnosno vezivanje djeteta postavljena na način da niti jedan njegov dio ne blokira pomična sjedala niti vrata vozila.

Prije ručnog nošenja modula nosiljke za dojenčad provjerite je li dijete pričvršćeno H-pojasom za djecu i je li ručka pravilno zaključana u okomitom položaju.

Za pitanja koja se odnose na održavanje, popravak i zamjenu dijelova obratite se distributeru.

Ispravno postavljanje dopušteno je samo s pomoću priključaka ISOFIX.

Često provjerite ima li na vodilicama ISOFIX prljavštine i po potrebi ih očistite. Pouzdanost se može narušiti ulaskom prljavštine, prašine, čestica hrane itd.

Prije kupnje ove unaprijedene sljedalice za sigurnosno vezivanje djeteta provjerite je li je moguće pravilno postaviti u vaše vozilo.

Molimo vas da držite ovu unaprijedenu sjedalicu za sigurnosno vezivanje djeteta bez tekstilnog pokrivača dalje od sunčeve svjetlosti jer može biti prevruća za dječju kožu. Uvijek dodirnite unaprijedenu sjedalicu za sigurnosno vezivanje djeteta prije nego što u nju stavite dijete.

Da biste upotrebljavali unaprijedenu sjedalicu za sigurnosno vezivanje djeteta s priključcima ISOFIX u skladu s Pravilnikom UN-a br. 129, vaše dijete mora ispunjavati sljedeće zahtjeve.

Dijete visine 40 cm – 83 cm / Dijete težine ≤ 13 kg (približne dobi od 15 mjeseci ili mlađe).

Da biste upotrebljavali ovaj modul nosiljke za dojenčad s pojasom vozila, vaše dijete mora ispunjavati sljedeće zahtjeve.

Dijete visine 40 cm – 83 cm.

Dijete težine ≤ 13 kg / Dijete u dobi od ≤ 15 mjeseci.

Mekane dijelove unaprijedenog sustava za sigurnosno vezivanje djeteta ne smijete zamijeniti niti jednim osim onima koje preporučuje proizvođač jer su mekani dijelovi sastavni dio sustava za sigurnosno vezivanje.

Da biste izbjegli rizik od ispadanja, uvijek osigurajte sigurnost djeteta s pomoću H-pojasa za djecu kada dijete smjestite u modul nosiljke za dojenčad, čak i kad unaprijedena sjedalica za sigurnosno vezivanje djeteta nije u vozilu.

Da biste izbjegli ozbiljne ozljede ili smrt, NIKADA nemojte stavljati modul nosiljke za dojenčad na povišenu podlogu s djetetom u njemu.

Dijelove ove unaprijeđene sjedalice za sigurnosno vezivanje djeteta nikako ne smijete podmazivati.

Izvadite ovaj modul nosiljke za dojenčad i postolje iz sjedala u vozilu kad ga ne upotrebljavate redovito.

UVIJEK osigurajte sigurnost djeteta u unaprijeđenoj sjedalici za sigurnosno vezivanje djeteta, čak i na kratkim putovanjima, jer se tada dogodi većina nesreća.

NIKADA ne ostavljajte dijete bez nadzora u ovoj unaprijeđenoj sjedalici za sigurnosno vezivanje djeteta.

NIKADA nemojte upotrebljavati rabljenu unaprijeđenu sjedalicu za sigurnosno vezivanje djeteta ili unaprijeđenu sjedalicu za sigurnosno vezivanje djeteta čiju povijest ne znate jer može imati strukturna oštećenja koja ugrožavaju sigurnost vašeg djeteta.

NIKAD nemojte upotrebljavati užad ili bilo kakve druge zamjene da biste pričvrstili unaprijeđenu sjedalicu za sigurnosno vezivanje djeteta u vozilu ili zavezali dijete u unaprijeđenu sjedalicu za sigurnosno vezivanje djeteta.

NIJEDNOM unaprijeđenom sjedalicom za sigurnosno vezivanje djeteta ne može se jamčiti potpuna zaštita od ozljeda u nesreći. Međutim, pravilna upotreba ove unaprijeđene sjedalice za sigurnosno vezivanje djeteta smanjit će rizik od ozbiljne ozljede ili smrti vašeg djeteta.

NEMOJTE upotrebljavati unaprijeđene sustave za sigurnosno vezivanje djeteta usmjerene prema natrag na sjedećim mjestima gdje je ugrađen aktivni prednji zračni jastuk. Može doći do smrti ili ozbiljnih ozljeda. Više informacija potražite u priručniku vlasnika vozila.

NEMOJTE stavljati nikakve predmete u područje potporne noge ispred baze.

NEMOJTE upotrebljavati nikakve dodirne točke preuzimanja opterećenja osim onih opisanih u uputama i označenih na unaprijeđenoj sjedalici za sigurnosno vezivanje djeteta.

NEMOJTE nastaviti upotrebljavati ovu unaprijeđenu sjedalicu za sigurnosno vezivanje djeteta nakon što je bila dio bilo kakvog sudara, čak i lakšeg sudara. Zamijenite je odmah jer može doći do nevidljivih, strukturnih oštećenja od sudara.

NEMOJTE postavljati ovu unaprijeđenu sjedalicu za sigurnosno vezivanje djeteta bez pridržavanja uputa u ovom priručniku je inače možete izložiti svoje dijete ozbiljnom riziku od ozljede ili smrti.

NEMOJTE mijenjati ovu unaprijeđenu sjedalicu za sigurnosno vezivanje djeteta niti je upotrebljavati sa sastavnim dijelovima drugih proizvođača.

NEMOJTE upotrebljavati unaprijeđeni sustav za sigurnosno vezivanje djeteta bez mehaničkih dijelova.

NEMOJTE upotrebljavati ovu unaprijeđenu sjedalicu za sigurnosno vezivanje djeteta ako su dijevovi oštećeni ili nedostaju.

NEMOJTE obući svoje dijete u veliku/preveliku odjeću jer to može spriječiti da dijete bude pravilno i čvrsto vezano naramenicama H-pojasa i trakom između nogu.

NEMOJTE ostavljati ovu unaprijeđenu sjedalicu za sigurnosno vezivanje djeteta ili druge predmete nevezane ili nepričvršćene u vašem vozilu jer se nezaštićena unaprijeđena sjedalica za sigurnosno vezivanje djeteta može pomicati okolo i može ozlijediti putnike pri naglom skretanju, naglom zaustavljanju ili sudaru.

U ovu unaprijeđenu sjedalicu za sigurnosno vezivanje djeteta NEMOJTE stavljati ništa osim preporučenih unutarnjih jastuka.

UPOZORENJE

Upotreba sjedalice kao nagnute kolijevke

Upotreba sjedalice kao nagnute kolijevke

Uvijek upotrebljavajte sustav za držanje djeteta.

NEMOJTE upotrebljavati sjedalicu kao nagnutu kolijevku nakon što dijete bude moglo sjediti samostalno.

NEMOJTE upotrebljavati sjedalicu ako su bilo koji dijelovi slomljeni ili ako nedostaju.

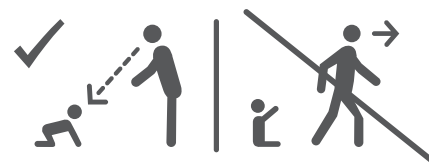
NEMOJTE upotrebljavati dodatnu opremu ili zamjenske dijelove osim onih koje je odobrio proizvođač.

Opasno je upotrebljavati sjedalicu na povišenoj podlozi poput stola.

NIKADA ne ostavljajte dijete bez nadzora.

Ova sjedalica nije namijenjena za dulja razdoblja spavanja.

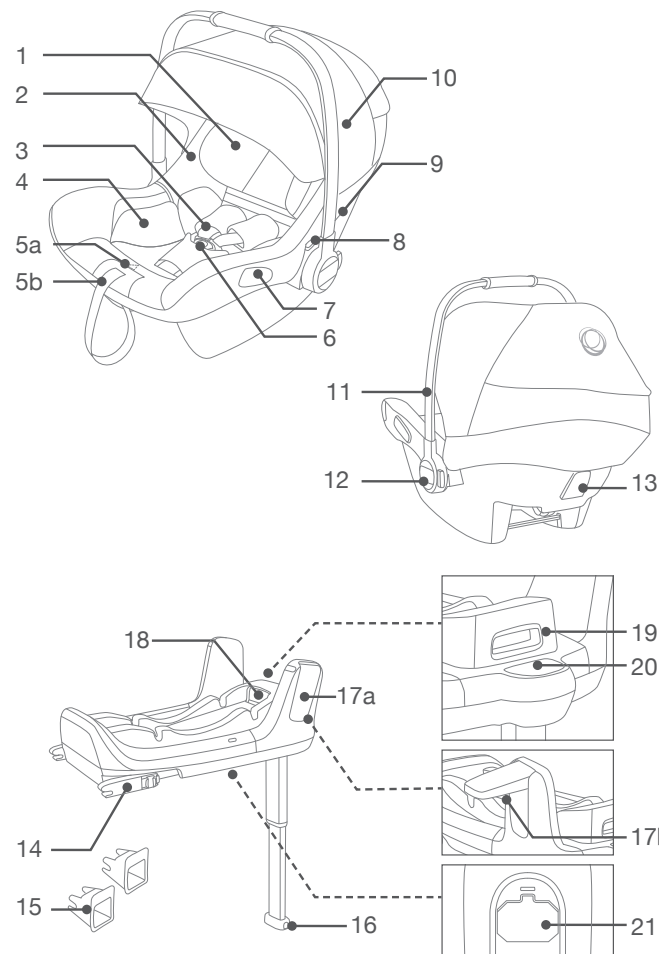
Ova sjedalica ne zamjenjuje kolijevku ili krevet. Ako dijete treba spavati, smjestite ga u odgovarajuću kolijevku ili krevet.



Popis dijelova

Provjerite jesu li svi dijelovi dostupni prije sastavljanja. Modul nosiljke za dojenčad i postolje mogu se prodavati odvojeno. Ako bilo koji dio nedostaje, obratite se društvu Bugaboo (informacije potražite na 168. stranici). Za sastavljanje nisu potrebni nikakvi alati.

- | | | | |
|----|----------------------------|-----|--|
| 1 | Naslon za glavu | 14 | Priključak ISOFIX |
| 2 | Jastuk za sjedenje | 15 | Vodilice ISOFIX |
| 3 | Naramenice H-pojasa | 16 | Gumb za podešavanje potporne noge |
| 4 | Umetak za dojenčad | 17a | Bočna krila za zaštitu od udara |
| 5a | Gumb za podešavanje pojasa | 17b | Gumb za preklapanje bočnih stranica |
| 5b | Podesivo remenje | 18 | Gumb za podešavanje ISOFIX-a |
| 6 | Sigurnosna kopča | 19 | Gumb za otpuštanje modula nosiljke za dojenčad |
| 7 | Bočne vodilice | 20 | Indikator potporne noge |
| 8 | Gumb za otpuštanje kolica | 21 | Pretinac za korisnički priručnik |
| 9 | Nosač za nadstrešnicu | | |
| 10 | Nadstrešnica | | |
| 11 | Ručka | | |
| 12 | Gumb ručke | | |
| 13 | Stražnja vodilica | | |



Upotreba proizvoda

Nedoumice u vezi s postavljanjem

Ovaj modul nosiljke za dojenčad prikladan je za sjedala vozila sa sidrišnim točkama i-Size ISOFIX s postoljem. (1)

NEMOJTE upotrebljavati unaprijeđene sustave za sigurnosno vezivanje djeteta usmjerene prema natrag na sjedećim mjestima gdje je ugrađen aktivni prednji zračni jastuk. Može doći do smrti ili ozbiljnih ozljeda. (2)

Više informacija potražite u priručniku vlasnika vozila.

NEMOJTE postaviti ovu unaprijeđenu sjedalicu za sigurnosno vezivanje djeteta na sjedala vozila koja su okrenuta bočno ili prema natrag u odnosu na smjer kretanja vozila. (3)

Preporučuje se postaviti ovu unaprijeđenu sjedalicu za sigurnosno vezivanje djeteta na stražnje sjedalo vozila. (4)



NEMOJTE postaviti ovu unaprijeđenu sjedalicu za sigurnosno vezivanje djeteta na sjedala vozila koja se pomiču tijekom postavljanja.

Podešavanje ručke

- 1 Ručka modula nosiljke za dojenčad može se postaviti u 3 položaja. (5) Položaj dječje stolice. (5)-1 Položaj za stavljanje djeteta u sjedalo. (5)-2 Položaj za prijevoz automobilom, u ruci ili u kolicima. (5)-3

- 2 Da biste podesili ručku, stisnite gumb ručke na obje strane da biste je otpustili. (6)-1
- 3 Zakrenite ručku dok ne klikne u bilo koji od 3 položaja. (6)-2

Postavljanje s postoljem

- 1 Rasklopite potpornu nogu iz pretinca. (7)
 - 2 Postavite vodilice ISOFIX sa sidrišnim točkama ISOFIX. (8) Vodilicama ISOFIX mogu se zaštititi površinu sjedala vozila od oštećenja. Također se njima mogu navoditi priključci ISOFIX.
 - 3 Pritisnite gumb za podešavanje ISOFIX-a za podešavanje priključaka ISOFIX. (9)
 - 4 Poravnajte priključke ISOFIX s vodilicama ISOFIX , a zatim pritisnite oba priključka ISOFIX u sidrišne točke ISOFIX dok ne čujete zvuk klika. (10)
-  Obavezno provjerite jesu li oba priključka ISOFIX čvrsto pričvršćena na njihove sidrišne točke ISOFIX. Trebala bi se čuti dva zvučna klika, a boje indikatora na oba priključka ISOFIX trebaju biti potpuno zelene boje. (10)-1
-  Povucite oba priključka ISOFIX da biste provjerili je li postolje pravilno postavljeno.
- 5 Nakon postavljanja postolja na sjedalo vozila, izvucite potpornu nogu do poda (11). Kad je indikator potporne noge zelene boje, znači da je pravilno postavljena, a ako je crvene boje, znači da je nepravilno postavljena. (11)-2

- ⚠ Potporna noga ima 19 položaja. Kad je indikator potporne noge crvene boje, znači da je potporna noga u pogrešnom položaju.
 - ⚠ Provjerite je li potporna noga u punom kontaktu s podnožjem vozila.
 - ⚠ Da biste skratili potpornu nogu, stisnite gumb za otpuštanje potporne noge i povucite potpornu nogu prema gore. (11)-1 Potpuno sastavljeno postolje prikazano je kao (12).
 - ⚠ Priključci ISOFIX moraju biti pričvršćeni i zaključani na sidrišne točke ISOFIX. (12)-1
 - ⚠ Potporna noga mora biti ispravno postavljen sa zelenim indikatorom. (12)-2
- 6 Da biste izvadili postolje, prvo pritisnite sekundarni gumb za zaključavanje (13)-1, a zatim gumb (13)-2 na priključcima zasuna prije vađenja postolja iz sjedala vozila.
 - 7 Pritisnite gumb za podešavanje ISOFIX-a za sklapanje ISOFIX-a.
 - 8 Gurnite modul nosiljke za dojenčad u postolje (14) ako je unaprijedena sjedalica za sigurnosno vezivanje djeteta pričvršćena, bočna krila za zaštitu od udara bit će otvorena, a indikator unaprijedene sjedalice za sigurnosno vezivanje djeteta bit će zelen. (15) Bočno krilo za zaštitu od udara koje je udaljeno od vrata može se zatvoriti kao što je prikazano na (16) kada ga ne upotrebljavate.

- ⚠ Povucite modul nosiljke za dojenčad prema gore kako biste provjerili je li čvrsto postavljen u postolje.
- 9 Da biste otpustili modul nosiljke za dojenčad, povucite unaprijedenu sjedalicu za sigurnosno vezivanje djeteta dok pritišćete gumb za otpuštanje modula nosiljke za dojenčad. (17)

Podešavanje visine za naslon za glavu i H-pojas

Provjerite jesu li naramenice H-pojava postavljene na odgovarajuću visinu. Odaberite odgovarajući par utora za H-pojava prema visini djeteta.

- ⚠ Naramenice H-pojava moraju biti što je bliže ramenima vašeg djeteta (18), ali ne iznad linije ramena. (19)
- ⚠ Ako naramenice H-pojava nisu na odgovarajućoj visini, dijete bi moglo biti izbačeno iz unaprijedene sjedalice za sigurnosno vezivanje djeteta ako dođe do sudara.

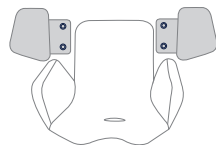
Povucite ručicu za podešavanje naslona za glavu (20), a u međuvremenu naslon za glavu povucite prema gore ili gurnite prema dolje dok ne sjedne u jedan od 7 položaja. Položaji naslona za glavu prikazani su kao (21).

Sigurno vezivanje djeteta

Upotreba umetka za dojenčad



Preporučujemo upotrebu umetka za dojenčad dok je beba manja od 60 cm ili dok ne preraste umetak. Umetkom za dojenčad povećava se bočna zaštitu od udara.



Izvadite umeke za dojenčad kada ramena dojenčeta više ne stanu udobno.

Nakon što se dijete stavi u sjedalicu, provjerite jesu li naramenice H-pojasa na odgovarajućoj visini.

- 1 Dok pritišćete gumb za podešavanje H-pojasa, povucite do kraja dvije naramenice H-pojasa unaprijedene sjedalice za sigurnosno vezivanje djeteta. (22)
 - 2 Otkopčajte kopču H-pojasa pritiskom crvenog gumba. (23)
 - 3 Stavite dijete u modul nosiljke za novorođenčad i zaključajte kopču. (25) Pogledajte (24).
 - 4 Zategnite naramenice H-pojasa povlačenjem podesivog remenja. (26)
- !** Provjerite ima li prostora između djeteta i naramenica H-pojasa oko debljine jedne ruke.

Nadstrešnica

- 1 Rasklopite vizir ispod prednjeg luka nadstrešnice. (27)
- 2 Izvucite izvlačivi pametni vizir između dva sloja vizira. (28)
- 3 Pričvrstite magnete na svaki kraj na prednjoj strani autosjedalice. (29)
- 4 Otvor na stražnjoj strani može se otvoriti za ventilaciju. (30)
Da biste sklopili nadstrešnicu, prvo sklopite vizir natrag ispod prednjeg luka nadstrešnice, a zatim sklopite izvlačivi pametni vizir ispod.

Odvajanje i sastavljanje mekih dijelova

pogledajte slike (31)-(40)

Da biste ponovno sastavili mekane dijelove, izvršite prethodno navedene korake obrnutim redoslijedom.

Postavljanje bez postolja

- 1 NEMOJTE postavljati ovaj modul nosiljke za dojenčad na sjedala vozila s trbušnim pojasevima. (41)
- 2 Ovaj modul nosiljke za dojenčad prikladan je za sjedala vozila samo sa sigurnosnim pojasom s 3 točke vezanja (bez postolja). (42)

- 3 Postavite modul nosiljke za dojenčad na sjedalo vozila gdje ga želite smjestiti. Izvucite sigurnosni pojas vozila i pričvrstite ga u kopču vuile tako da stavite trbušni pojas vozila u bočne vodilice modula nosiljke za dojenčad. (43)
- ⚠ Modul nosiljke za novorođenčad ne može se upotrebljavati ako je kopča sigurnosnog pojasa vozila (ženski kraj kopče) predugačka da bi se dobro pričvrstio modul nosiljke za novorođenčad. (43)-1
- 4 Gurnite dijagonalni pojas u stražnju vodilicu. (44)
- 5 Povucite pojas vozila za rame da biste čvrsto i sigurno pričvrstili modul nosiljke za novorođenčad. (45)
- 6 Ravna linija na modulu nosiljke za novorođenčad mora biti u razini sa zemljom kad se modul nosiljke za novorođenčad postavi. (46)
- ⚠ Zategnite sigurnosni pojas vozila što je više moguće , i provjerite je li labav ili uvrnut.
- ⚠ Nakon što postavite modul nosiljke za novorođenčad, uvijek provjerite jesu li pojasevi vozila pravilno usmjereni i čvrsto vezani u kopču vozila. (47)

Postavljanje u avionu

- ⚠ Imajte na umu da sigurnost djeteta zbog nepridržavanja priručnika za postavljanje i korisničkog priručnika nije zajamčena.
- ⚠ Imajte na umu da se postavljanje modula nosiljke za novorođenčad na sjedalo zrakoplova razlikuje od postavljanje na sjedalo automobila.
- ⚠ Imajte na umu da je trbušni pojas s 2 točke vezanja dopušten samo u zrakoplovu.
- ⚠ Imajte na umu da modul nosiljke za dojenčad mora ostati vezan na sjedalu zrakoplova, čak i kada dijete nije u njemu.
- ⚠ Imajte na umu da je modul nosiljke za dojenčad namijenjen upotrebi samo na putničkom sjedalu koje je odobrio avioprijevoznik.
- ⚠ Upozoravamo vas da se ne upotrebljavate modul nosiljke za dojenčad u području izlaska zračnih jastuka. (2)
- ⚠ Imajte na umu da modul nosiljke za dojenčad okrenut prema natrag treba postaviti samo na putničkim sjedalima koja su okrenuta prema naprijed. (48)

Kako postaviti modul nosiljke za novorođenčad s pomoću sigurnosnog pojasa sjedala u zrakoplovu:

- 1 Postavite modula nosiljke za novorođenčad suprotno smjeru leta na putničko sjedalo.
- 2 Provjerite je li ručka nosiljke u najgornjem položaju.
- 3 Sigurnosni pojas stavite u obje vodilice pojasa.

- 4 Zakopčajte sigurnosni pojas (pogledajte sigurnosne upute avioprijevoznika).
 - 5 Zategnite sigurnosni pojas povlačenjem kraja pojasa. (49)
- !** Kopča sigurnosnog pojasa ni u kojem slučaju ne smije se nalaziti unutar tamnozelenih vodicica pojasa. (50)

Vađenje:

Otkopčajte sigurnosni pojas suvozačevog sjedala (pogledajte sigurnosne upute avioprijevoznika). Tada možete izvaditi modul nosiljke za dojenčad sa suvozačevog sjedala.

Čišćenje i održavanje

Očistite okvir, plastične dijelove i tkaninu vlažnom krpom, ali nemojte upotrebljavati abrazivna sredstva ili izbjeljivače. Nemojte upotrebljavati silikonska maziva jer će privući prljavštinu i prašinu.

Da biste osigurali dugotrajnu upotrebu, obrišite ovaj proizvod mekanom, upijajućom krpom nakon upotrebe na kiši.

Upute za pranje i sušenje potražite na naljepnicama za njegu na mekim dijelovima.

Normalno je da tkanina promijeni boju od sunčeve svjetlosti i da se vide znakovi trošenja i habanja nakon duge upotrebe, čak i ako se normalno upotrebljava.

Iz sigurnosnih razloga upotrebljavajte samo originalne dijelova društva Bugaboo od društva Nuna.

Redovito provjeravajte radi li sve ispravno. Ako su bilo koji dijelovi poderani, slomljeni ili nedostaju, prestanite upotrebljavati proizvod.

Ovdje navedene informacije mogu se promijeniti bez prethodne najave. Bugaboo International BV nije odgovoran za tehničke pogreške ili propuste navedene u ovom dokumentu. Kupljeni proizvod može se razlikovati od proizvoda opisanog u ovom korisničkom priručniku. Naše korisničke priručnike možete zatražiti u našim odjelima za servis ili na www.bugaboo.com.

© 2019 Bugaboo International BV. BUGABOO, BUGABOO CAMELEON, BUGABOO BEE, BUGABOO DONKEY, BUGABOO FOX, BUGABOO TURTLE, BUGABOO ANT, BUGABOO LYNX, BUGABOO STARDUST i logotipi društva Bugaboo registrirani su zaštitni znakovi. Kolica Bugaboo® patentirana su i njihov je dizajn zaštićen.

© NUNA International BV Nuna i svi pridruženi logotipi zaštitni su znakovi.

ניקוי ותחזוקה

נקו את השלד, את חלקי הפלסטיק ואת הבר במטלית לחה, אולם אל תשתמשו בחומרי ניקוי חריפים או בחומרי הלבנה. אין להשתמש ב חומרי סיכוך מבוססי סיליקון, שכן הם מושכים לכלוך.

כדי להבטיח שימוש לאורך זמן, נגבו את המוצר ב מטלית רכה וסופגת לאחר שהיה בשימוש במזג אוויר גשום.

ראו תוויות הטיפול שמחוברות לרכיבים הרכים בנוגע ל הוראות שטיפה וייבוש.

הבר עשוי לדהות כתוצאה מחשיפה לאור שמש ולהראות סימני שחיקה ובלאי לאחר תקופת שימוש ממושכת, גם כאשר מדובר בשימוש רגיל.

מטעמי בטיחות, יש להשתמש אך ורק בחלקים מקוריים של Bugaboo by Nuna

בדקו באופן שגרתי פעולה תקינה. אם חלקים כלשהם קרועים, שבורים או חסרים, הפסיקו להשתמש ב מוצר זה.

המידע הכלול במסמך זה כפוף לשינוי ללא הודעה מוקדמת. Bugaboo International BV לא תישא בכל תבות בגין שגיאות טכניות או השמטות המופיעות במסמך זה. המוצר הנרכש עשוי להיות שונה מן המוצר המתואר במדריך למשתמש זה. ניתן להשיג את המדריכים למשתמש המעודכנים ביותר דרך מחלקות השירות שלנו או בכתובת www.bugaboo.com.

© 2019 Bugaboo International BV. BUGABOO, BUGABOO CAMELEON, BUGABOO BEE, BUGABOO DONKEY, BUGABOO FOX, BUGABOO TURTLE, BUGABOO ANT, BUGABOO LYNX, BUGABOO STARDUST

וכן הסמלילים של Bugaboo הם סימנים מסחריים רשומים. עגלות התינוק של Bugaboo מוגנות הן פטנט רשום והתכנון שלהן כפוף להגנה. © NUNA International B.V. Nuna וכל הסמלילים המשויכים הם סימנים מסחריים.

4 סגרו את חגורת הבטיחות (ראו הוראות הבטיחות של חברת התעופה).

5 הדקו את חגורת הבטיחות באמצעות משיכה בקצה החגורה. (49)

⚠ האבזם של חגורת הבטיחות אינו יכול בשום מקרה להימצא בתוך מסילות החגורה שצבען ירוק כהה. (50)

הסרה:

פתחו את חגורת הבטיחות של מושב הנוסע (ראו הוראות הבטיחות של חברת התעופה). כעת ניתן להסיר את מדודל הסלקל ממושב הנוסע.

התקנה במטוס

⚠ לתשומת לבכם, לא ניתן לערוב לבטיחות ילדכם במקרה של אי ציות להוראות ההתקנה ולמדריך למשתמש.

⚠ שימו לב, כי התקנת מודול הסלקל על מושב המטוס שונה מן ההתקנה על מושב הרכב.

⚠ שימו לב, כי החיבור הדו-נקודתי של חגורת המותניים מותר אך ורק במטוס.

⚠ שימו לב, כי מודול הסלקל חייב להישאר מקובע באמצעות חגורה על מושב המטוס גם כאשר המושב אינו מאוכלס.

⚠ לתשומת לב, מודול הסלקל מיועד לשימוש אך ורק על מושב נוסע שמאושר על ידי חברת התעופה.

⚠ אזהרות אין להשתמש במודול הסלקל ב אזור הפריסה של כריות האוויר. (2)

⚠ לתשומת לב, מודול הסלקל המופנה לאחור יותקן אך ורק על גבי מושבי נוסעים שמופנים קדימה. (48)

כיצד להתקין את מודול הסלקל תוך שימוש בחגורת הבטיחות של מושב המטוס.

1 מקמו את מודול הסלקל בכיוון המנוגד ל כיוון הטיסה, על גבי מושב הנוסע.

2 ודאו כי ידית הנשיאה נמצאת במצב העליון ביותר.

3 הכניסו את חגורת הבטיחות לתוך שתי המסילות של החגורה.

3 מקמו את מודול הסלקל על מושב הרכב בנקודה הרצויה. משכו את חגורת הבטיחות של הרכב החוצה ונעלו אותה בתוך אבזם הרכב, תוך החלקת חגורת המותניים של הרכב לתוך מסילות הצד של מודול הסלקל. (43)

⚠ לא ניתן להשתמש במודול הסלקל אם האבזרם של חגורת הבטיחות של הרכב (קצה אבזם נקבה) ארוך מדי לעיגון מודול הסלקל בצורה בטוחה. 1-(43)

4 החליקו את החגורה האלכסונית לתוך המסילה האחורית. (44)

5 משכו את חגורת הכתף של הרכב כדי להדק את מודול הסלקל כראוי ובצורה בטיחותית. (45)

6 קו הפילוס שעל מודול הסלקל צריך להיות מאוזן ביחס לרצפה כאשר מודול הסלקל מותקן. (46)

⚠ מתחו את חגורת הבטיחות של הרכב ככל הניתן, תוך שאתם מודאים כי היא אינה רופפת או מסובבת.

⚠ לאחר התקנת מודול הסלקל, תמיד בדקו כי חגורות הרכב מנותבות כראוי ומקובעות היטב בתוך אבזם הרכב. (47)

קיבוע הילד

השתמשו בתוספת לפעוט



לאחר מיקום הילד במושב, בדקו אם רצועות רתמת הכתף נמצאות בגובה המתאים.

- 1 תוך לחיצה על לחצן כוונון הרתמה, משכו במלואן את שתי רצועות רתמת הכתף של מושב הבטיחות. (22)
- 2 שחררו את האבזם של הרתמה באמצעות לחיצה על הלחצן האדום. (23)
- 3 מקמו את הילד במודול הסלקל ו נעלו את האבזם. (25) ראו (24).
- 4 הדקו את רצועות רתמת הכתף על ידי משיכה בחגורת הכוונון. (26)

⚠ דאו כי המרווח שבין הילד לבין רצועות רתמת הכתף זהה בקירוב לעובי של כף יד.

הגגון

- 1 משכו את מגן השמש מתחת לקשת הגגון הקדמית. (27)
- 2 משכו את מגן השמש החכם הנפתח מבין שתי שכבות המגן. (28)
- 3 הצמידו את המגנטים שבכל פינה לחלק הקדמי של מושב הרכב. (29)
- 4 חלון ההצצה שבחלק האחורי ניתן לפתיחה לצורך אוורור. (30)
כדי לקפל את הגגון לאחור, תחילה הכניסו את מגן השמש אל מתחת לקשת הגגון הקדמית ולאחר מכן קפלו לאחור את מגן השמש החכם הנפתח שמתחת.

הסרה והרכבה של הרכיבים הרכים

ראו התמונות (31)-(40)

כדי להרכיב מחדש את החלקים הרכים, בצעו את הפעולות שנזכרו בסדר הפוך.


התקנה ללא בסיס


- 1 אין להתקין את מודול הסלקל על מושבי רכב עם חגורות מותניים. (41)
- 2 מודול הסלקל מתאים למושב רכב עם חגורת בטיחות גללת תלת-נקודתית (ללא בסיס) בלבד. (42)

כוונון הגובה


עבור תמיכת הראש ורתמת הכתפיים


ודאו כי רצועות רתמת הכתפיים מכוונות ל גובה המתאים. בחרו בזוג המתאים של חריצי רתמת הכתף, בהתאם לגובה הילד.

 רצועות רתמת הכתפיים צריכות להיות קרובות ביותר ל כתפי הילד (18), אולם לא מעל לקו הכתפיים. (19)

 אם רצועות רתמת הכתפיים אינן בגובה מתאים, הילד עלול להיזרק מ מושב הבטיחות במקרה של תאונה.

משכו את ידית הכוונון של תמיכת הראש (20), בינתיים משכו מעלה או דחפו מטה את תמיכת הראש עד שתינעל באחד מ-7 מצבים. מצבי תמיכת הראש מוצגים כ-(21).

 כדי לקצר את הרגלית, לחצו על לחצן השחרור של הרגלית ומשכו את הרגלית כלפי מעלה. 1-(11) הבסיס המורכב במלואו מוצג כ (12).

 יש לחבר את מחברי ISOFIX וכן לנעול אותם בנקודות העיגון של ISOFIX. 1-(12)

 יש להתקין את הרגלית כראוי, כאשר המחוון ירוק. 2-(12)

6 כדי להסיר את הבסיס, לחצו על לחצן הנעילה המשני 1 (13)-תחילה ולאחר מכן על הלחצן 2-(13) שעל מחברי הנעילה בטרם תסירו את הבסיס ממושב הרכב.

7 לחצו על לחצן הכוונון ISOFIX כדי לקפל את ה-ISOFIX.

8 דחפו את מודול הסלקל של התינוק לתוך הבסיס (14), אם מושב הבטיחות מקובע, כנפי ההגנה מפני חבטות צד ייפתחו ו מחוון מושב הבטיחות יוצג בירוק. (15) כנף ההגנה מפני חבטות צד ש מרוחקת מן הדלת ניתנת לסגירה כמתואר ב- (16) כשאינה בשימוש.

 משכו את מודול הסלקל כלפי מעלה כדי לוודא כי הוא נעול היטב בתוך הבסיס.

9 כדי לשחרר את מודול הסלקל, משכו את מושב הבטיחות כלפי מעלה, תוך לחיצה על לחצן השחרור של מודול הסלקל. (17)

שימוש המוצר

סוגיות הקשורות בהתקנה

מדול הסלקל מתאים למושב רכב עם נקודות עיגון i-Size ISOFIX בשילוב הבסיס. (1)

אין להשתמש במושב הבטיחות המופנים לאחור במיקומים שבהם מותקנת כרית אויר קדמית פעילה. עלולים להיגרם מוות או פציעה חמורה. (2) למידע נוסף, ראו המדריך למשתמש של הרכב.

אין להתקין את מושב הבטיחות המשופר במושב רכב אשר מופנים הצדה או לאחור ביחס ל כיוון התנועה של הרכב. (3)

מומלץ להתקין את מושב הבטיחות במושב האחורי של הרכב. (4)

אין להתקין את מושב הבטיחות המשופר ב מושבי רכב שעשויים לנוע במהלך ההתקנה.

כוונון הידיות

1 הידיות של מדול הסלקל ניתנות לכוונון ל-3 מצבים. (5)
מצב מושב תינוק. 1- (5)

מצב למיקום התינוק במושב. 2- (5)
מצב עבור הובלה ברכב, הובלה ידנית או בעגלה. 3- (5)

2 כדי לכוונון את הידית, לחצו על לחצני הידית שמשני הצדדים ושחררו אותה. 1- (6)

3 סובב את הידית עד שתינעל בכל אחד מ-3 המצבים. 2- (6)

התקנה

1 פתחו את הרגלית מתא האחסון. (7)

2 התאימו את מסילות ISOFIX לנקודות העיגון של ISOFIX. (8) מסילות ISOFIX יכולות להגן על המשטח של מושב הרכב מפני קריעה. הן גם מכויינות את מחברי ISOFIX.

3 לחצו על לחצן הכונון של ISOFIX כדי לכוונון את מחברי ISOFIX. (9)

4 יישרו את מחברי ISOFIX מול מסילות ISOFIX ולאחר מכן הקליקו את שני מחברי ISOFIX לתוך נקודות העיגון של ISOFIX. (10)

⚠ דאו כי שני מחברי מקובעים כראוי לנקודות העיגון של ISOFIX. צריכים להישמע שני צלילי נקישה והצבעים של סימני החיווי על שני מחברי ISOFIX צריכים להיות ירוקים לחלוטין. 1- (10)

⚠ בדקו כדי לוודא כי הבסיס מותקן כראוי על ידי משיכה בשני מחברי ISOFIX.

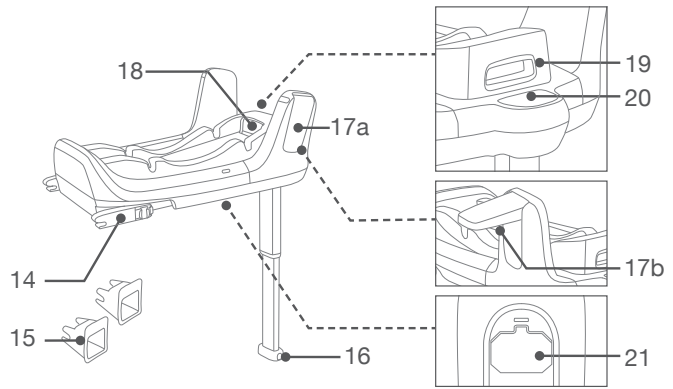
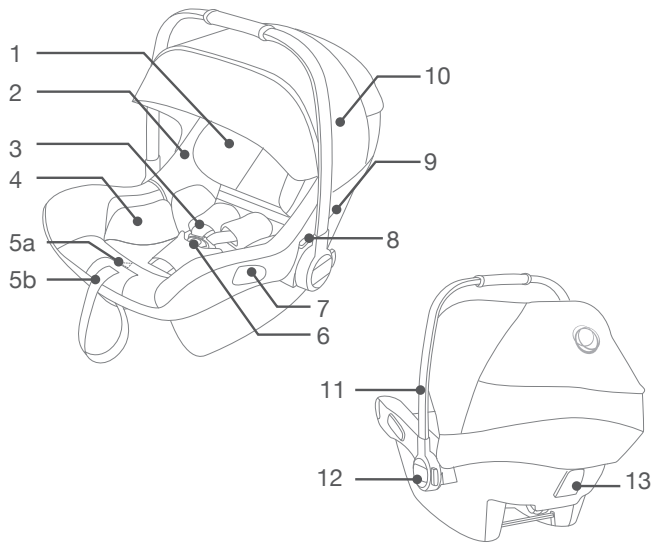
5 לאחר מיקום הבסיס על מושב הרכב, משכו את הרגלית אל הרצפה (11). כאשר המחווון של רגל התמיכה ירוק, המשמעות היא שהוא מותקן כראוי, אדום משמעותו שהוא מותקן בצורה שגויה. 2- (11)

⚠ ברגלית יש 19 מצבים. כאשר מחווון הרגלית אדום, המשמעות היא שהרגלית נמצאת במצב שגוי.

⚠ דאו כי רגלית התמיכה נמצאת במגע מלא עם רצפת הרכב

רשימת חלקים

דאו כי כל החלקים זמינים לפני ההרכבה. מודול הסלקל והבסיס עשויים להימכר בנפרד. אם חסרים חלקים כלשהם, צרו קשר עם Bugaboo (למידע ראו עמוד 209). לא נדרשים כלים לצורך ההרכבה.



מחבר ISOFIX	14	תמיכת ראש	1
מסילות ISOFIX	15	כרית המושב	2
לחצן כוונון רגליות	16	רצועות רתמת הכתף	3
כנפי הגנה מפני חבטות צד	17a	תוספת לפעוט	4
כפתור קיפול אחורי של כנף	17b	כפתור התאמת רתמה	5a
לחצן כוונון ISOFIX	18	חגורת כוונון	5b
לחצן שחרור מודול סלקל לפעוטות	19	אבזם בטיחות	6
מחווך רגלית	20	מסילות צד	7
תא האחסון של חוברת ההוראות	21	לחצן שחרור עגלה	8
		חיבור הגגון	9
		חיבור הגגון ידית	10
		לחצן הידית	11
		מסילה אחורית	12
			13

HE

HE

אזהרה

שימוש במושב כעריסה נשענת

שימוש במושב כעריסה נשענת

יש להשתמש במערכת הריסון.

אין להשתמש במושב כעריסה נשענת אם הילד מסוגל לשבת בכוחות עצמו.

אין להשתמש במושב אם אחד המרכיבים שבור או חסר.

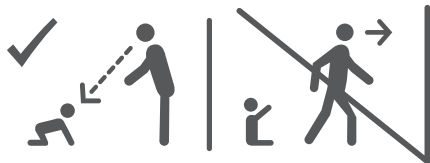
אין להשתמש באביזרים או חלקים חלופיים למעט אלה אשר אושרו על ידי היצרן.

השימוש במושב על משטח גבוה (כגון שולחן) מסוכן ביותר.

אין להשאיר את הילד ללא השגחה.

המושב אינו מיועד לתקופות שינה ארוכות.

המושב אינו מהווה תחליף לעריסה או למיטה. אם הילד זקוק לשינה, יש להוציא אותו ולשים במיטה או עריסה מתאימה.



אין למקם חפצים כלשהם באזור רגלי המושבים שלפני הבסיס.

אין להשתמש בנקודות מגע הכפופות לעומסים למעט אלה שמתוארות בהוראות ואשר מסומנות על גבי מושב הבטיחות המשופר.

אין להמשיך להשתמש במושב הבטיחות המשופר לאחר שנפגע בכל סוג של תאונה, גם תאונה קלה. יש להחליפו מיידית, שכן ייתכן שנגרם לו נזק מבני נסתר כתוצאה מן התאונה.

אין להתקין את מושב הבטיחות המשופר מבלי לעיין בהוראות שבמדריך זה, שכן אתם עלולים להעמיד את ילדכם בסכנה חמורה של פציעה או מוות.

אין לבצע שינויים במושב הבטיחות המשופר לילדים ואין להשתמש בו עם חלקים של יצרנים אחרים.

אין להשתמש במושב הבטיחות לילדים ללא המרכיבים הרכים.

אין להשתמש במושב הבטיחות המשופר אם הוא ניזוק או אם חסרים בו חלקים.

אין להלביש את הילד בבגדים רחבים/גדולים מדי שכן הדבר עלול למנוע קיבוע והידוק כראוי על ידי הרצועות של רתמת הכתף ועל ידי רצועת המפשעה שעוברת בין הרגליים.

אין להשאיר את מושב הבטיחות לילדים, או פריטים אחרים כשאינם חגורים או אינם מקובעים ברכב שבו מושב בטיחות שאינו מקובע עלול להיזרק בתוך הרכב ולפצוע את הנוסעים במקרה של פניה חדה, עצירה פתאומית או התנגשות.

אין להניח במושב הבטיחות המשופר כל פריט אחר מבלבד הכריות הפנימיות המומלצות לשימוש.

כדי למנוע פציעה חמורה או מוות, אין למקם את מודול הסלקל על מושב שנמצא על משטח מוגבה, כאשר הילד בתוכו.

אין לסכך את החלקים של מושב הבטיחות לילדים בכל דרך שהיא.

הסירו את מודול הסלקל ואת הבסיס מ מושב הרכב כאשר הוא אינו בשימוש קבוע.

תמיד יש לקבע את הילד במושב הבטיחות המשופר, גם כאשר מדובר בנסיעות קצרות, שכן בנסיעות אלה מתרחשות רוב התאונות.

אין להשאיר את הילד ללא השגחה כשהוא במושב הבטיחות.

אין להשתמש במושב בטיחות משופר מיד שניה או במושב בטיחות משופר שההיסטוריה שלו אינה ידועה, שכן ייתכן שיש בו נזק מבני אשר עלול לסכן את בטיחות ילדכם.

אין להשתמש בחבלים או בחלופות אחרות לצורך קיבוע מושב הבטיחות המשופר ברכב או לצורך קיבוע הילד במושב הבטיחות.

אין מושב בטיחות אשר יכול להבטיח הגנה מלאה מפני פציעה בתאונה. עם זאת, שימוש נאות במושב הבטיחות לילדים יפחית את הסיכון לפציעה חמורה או מוות של ילדכם.

אין להשתמש במושבי הבטיחות המופנים לאחור במיקומים שבהם מותקנת כרית אוויר קדמית פעילה. עלולים להיגרם מוות או פציעה חמורה. למידע נוסף, ראו המדריך למשתמש של הרכב.

יש לבדוק את מסילות ה-ISOFIX לעתים קרובות כדי לזהות לכלוך ויש לנקותן במקרה הצורך. אמינות המוצר עלולה להיפגע בעקבות חדירת לכלוך, אבק, חלקיקי מזון וכד'.

יש לבדוק לפני רכישת מושב הבטיחות המשופר כדי לוודא כי ניתן להתקינו כראוי ברכב שלכם.

יש להקפיד שמושב הבטיחות המשופר ללא כיסוי בד לא יהיה חשוף לאור שמש, כיוון שהוא עלול להיות חום מדי לעורו של הילד. תמיד יש לגעת ב מושב הבטיחות המשופר לפני הושבת הילד בתוכו.

כדי להשתמש במושב הבטיחות המשופר עם חיבורי ISOFIX בהתאם לתקנת האומות המאוחדות מס. 129, על ילדכם לעמוד בדרישות הבאות:

גובה הילד 40 סמ-83 סמ/משקל הילד≥13 קג (15 חודשים בקירוב או פחות).

כדי להשתמש במודול הסלקל עם הגורת הרכב, על ילדכם לעמוד בדרישות הבאות.

גובה הילד 40סמ-83 סמ.

משקל הילד≥13 קג/גיל הילד≥15 חודשים.

אין להחליף את החלקים הרכים של מושב הבטיחות בחלקים אחרים, למעט אלה המומלצים על ידי היצרן, כיוון שהחלקים הרכים מהווים חלק בלתי נפרד של ביצועי המערכת.

כדי למנוע סכנת נפילה, תמיד יש לקבע את הילד באמצעות הרתמה, כאשר הילד ממוקם במודול הסלקל, גם כאשר מושב הבטיחות לא נמצא ברכב.

לשימוש עם בסיס

4 זהו מושב בטיחות אוניברסלי לילדים המצויד בחגורות . בכפוף לתקנת האומות המאוחדות מס. 129 הוא מאושר לשימוש במושבי רכב אוניברסליים, כמוגדר על ידי יצרני הרכב במדריך למשתמש של הרכב.

5 אם יש לכם ספק, פנו ליצרן של מושב הבטיחות המשופר או למשווק.

⚠ אזהרה

אי הקפדה על אזהרות והוראות אלה עלול לגרום לפציעה חמורה או מוות.

הרצועות המקבעות את מודול הסלקל של התינוק ל צריכות להיות הדוקות, כך שכל רגליות התמיכה יבואו במגע עם רצפת הרכב וכל הרצועות המקבעות את הילד יהיו מותאמות לגוף הילד והרצועות לא יהיו מפותלות.

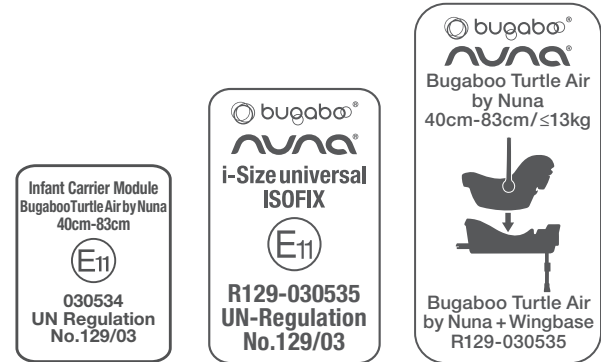
יש לקבע היטב כל מטען או חפצים אחרים שעלולים לגרום פציעות במקרה של תאונה.

הקפידו להתקין את מושב הבטיחות כך, שאף אחד מחלקיו לא יפריע למושבים הנעים או לפעולתן של דלתות הרכב.

לפני נשיאת מודול הסלקל של התינוק ביד, יש לוודא כי הילד מקובע באמצעות הרתמה וכי הידיית נעולה כראוי במצב אנכי.

יש להיוועץ במשווק בנוגע לסוגיות הקשורות בתחזוקה, תיקון והחלפת חלקים.

התקנה נאותה מותרת אך ורק באמצעות שימוש במחברי ה-ISOFIX.



1 "i-Size" (מושבי בטיחות לילדים אוניברסליים ואינטגרליים בתוספת ISOFIX) היא קטגוריה של מושבי בטיחות משופרים לילדים אשר תוכננו בעיקר לשימוש בכל מצבי הישיבה i-Size שלהרכב.

2 בכפוף לתקנת האומות המאוחדות מס. 129, מושב הבטיחות המשופר עם בסיס הוא מושב בטיחות משופר אוניברסלי המצויד ISOFIX ויש להתקינו באמצעות חיבורי ISOFIX.

3 זהו מושב בטיחות משופר לילדים מסוג "i-Size". בכפוף לתקנת האומות המאוחדות מס. 129 הוא מאושר לשימוש במושבי רכב תואמי i-Size, כמוגדר על ידי יצרני הרכב במדריך למשתמש של הרכב.

דרישות בנוגע לשימוש עם ילדים

מוצר זה מתאים לשימוש עם ילדים אשר עומדים בדרישות הבאות:

איור עבור התקנה	מתאים עבור
	ילד בגובה 40 ס"מ-83 ס"מ משקל הילד ≥ 13 ק"ג (15 חודשים בקירוב או פחות)
	ילד בגובה 40 ס"מ-83 ס"מ משקל הילד ≥ 13 ק"ג גיל הילד ≥ 15 חודשים"

מידע אודות המוצר

מספר הדגם: _____

יוצר ב(תאריך): _____

רישום המוצר

יש למלא את המידע שלעיל. מספר הדגם ותאריך הייצור ממוקמים בחלק התחתון של ה-Bugaboo Turtle Air by Nuna.

לרישום המוצר, בקרו בכתובת:

<https://service.bugaboo.com/ProductRegistrationForm>

Nuna פיתחה וייצרה את המוצר במיוחד כדי לתת מענה לתקני האיכות הגבוהים של Nuna ושל Bugaboo. בעת יצירת קשר עם השירות, הקפידו שיהיו ברשותכם הוכחת רכישה, מספר דגם ותאריך הייצור. Bugaboo תיצור עמכם קשר בנוגע ל-Bugaboo Turtle Air by Nuna.

למידע אודות האחריות שחלה על Bugaboo Turtle Air by Nuna, בקרו בכתובת: www.bugaboo.com/warranty

שירות לקוחות

אם יש לכם שאלה, אתם עשויים למצוא את התשובה באתר האינטרנט שלנו www.bugaboo.com. אם אתם צריכים ליצור קשר עם צוות השירות הבינלאומי, נשמח תמיד לשמוע מכם! אנחנו זמינים למענה על כל שאלה, תהייה, או הערות שיש לכם בנוגע למוצרים ולשירותים שלנו. אל תהססו לפנות אלינו. המשוב שלכם מסייע לנו לשפר עוד יותר את המוצרים ואת השירותים שלנו.

בחרו בשיטה המועדפת עליכם ליצירת קשר:

טלפון 31-207189531+

דואר אלקטרוני service@bugaboo.com

טופס יצירת קשר דרך bugaboo.com, www.bugaboo.com/support

טוויטר @Bugaboo

תוכן העניינים

209	מידע אודות המוצר
209	רישום המוצר
209	שירות לקוחות
208	דרישות בנוגע לשימוש עם ילדים
207	לשימוש עם בסיס
206	אזהרות
200	רשימת חלקים
199	שימוש המוצר
190	ניקוי ותחזוקה

Svenska (SV)	2
Русский (RU)	24
Português (PT)	48
Polisch (PL)	72
Íslensku (IS)	96
საქართველო (KA)	118
Čeština (CS)	142
Hrvatski (HR)	166
עברית (HE)	190

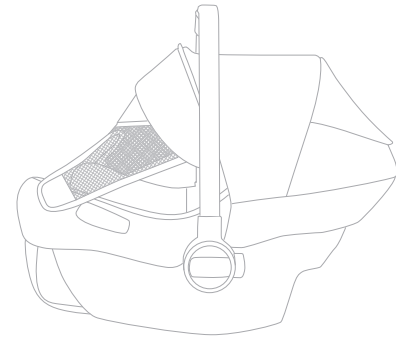
חשוב!
יש לשמור על הוראות
אלה לצורך עיון
בעתיד:
יש לקרוא בעיון

IMG-0119F-3



NUNA[®]

Bugaboo child restraint in
collaboration with Nuna



Bugaboo International BV

Paasheuvelweg 9 a-b
1105BE Amsterdam zuidoost
The Netherlands

NUNA International BV

Van der Valk Boumanweg 178 C
2352JD Leiderdorp
The Netherlands

10049699 UG Bugaboo Turtle Air by Nuna emea rv003 inv4

www.bugaboo.com

meet your bugaboo turtle air
by Nuna

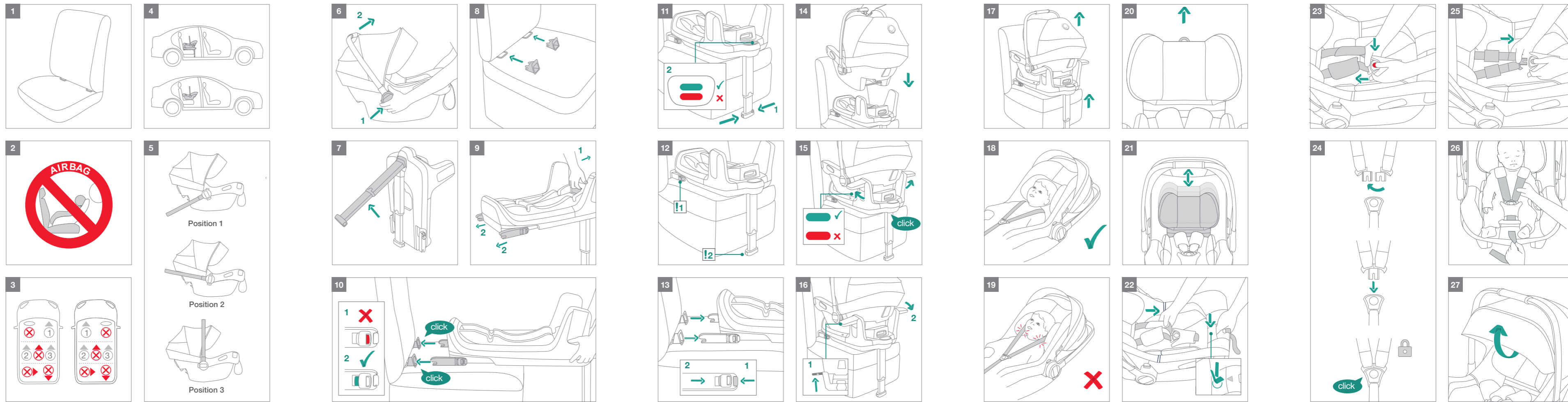
bugaboo[®]

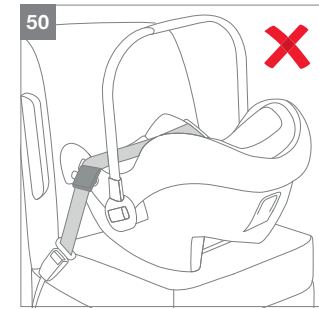
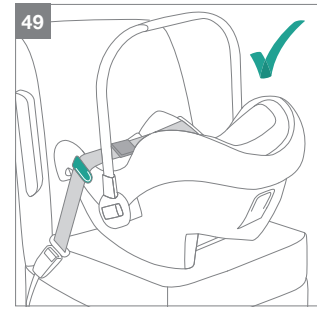
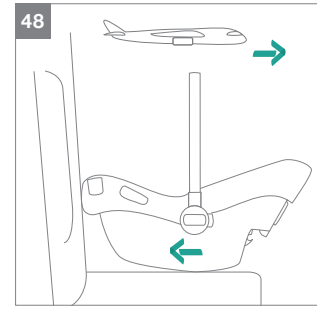
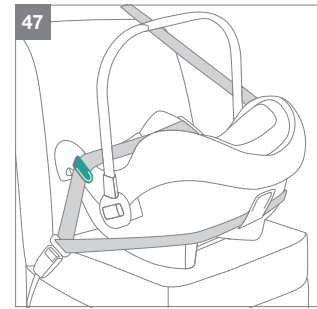
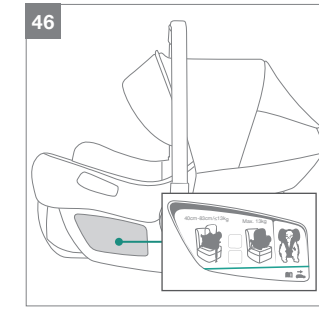
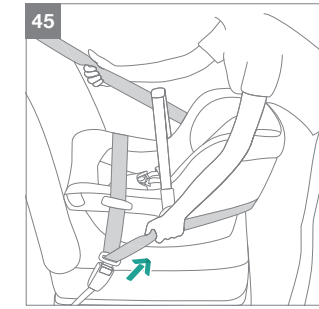
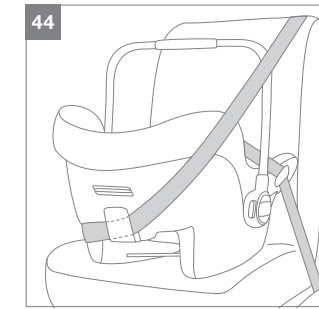
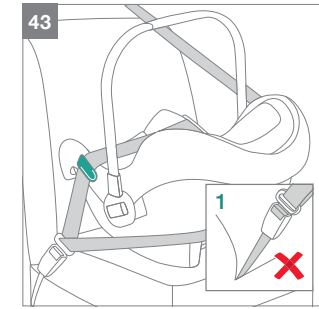
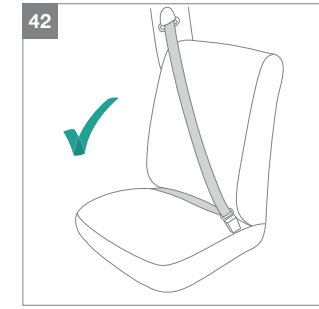
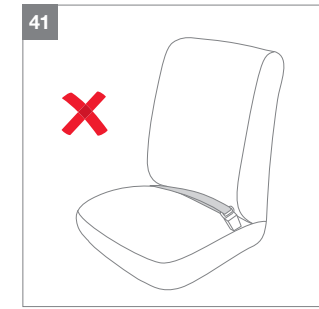
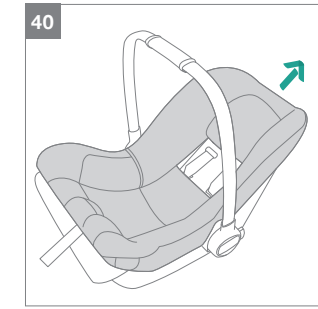
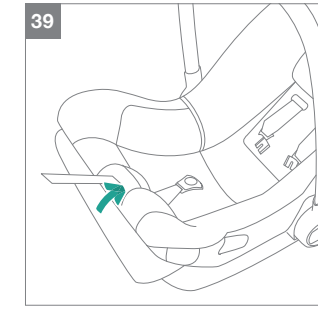
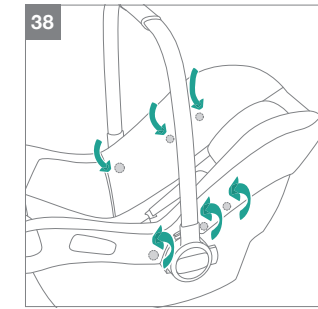
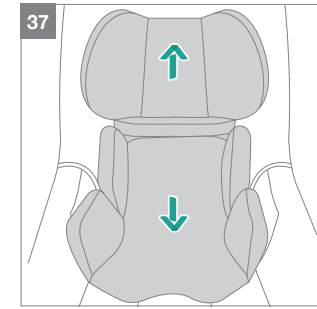
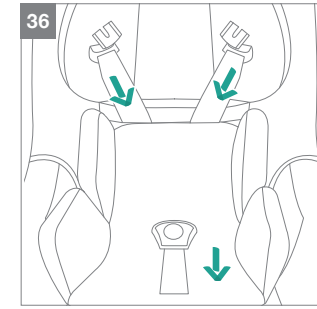
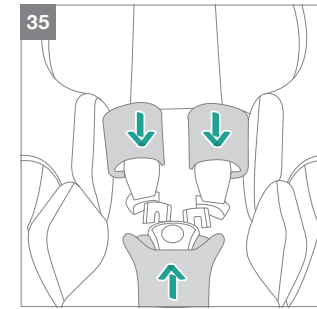
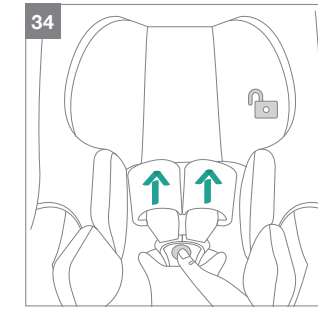
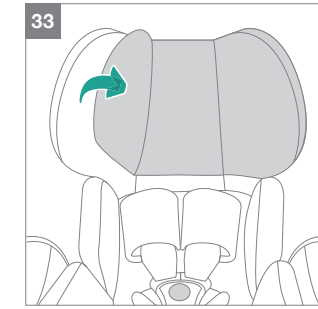
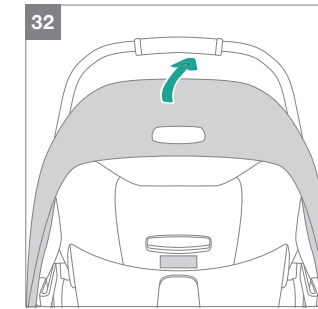
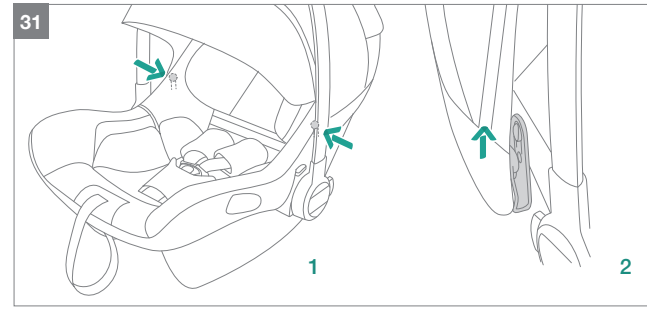
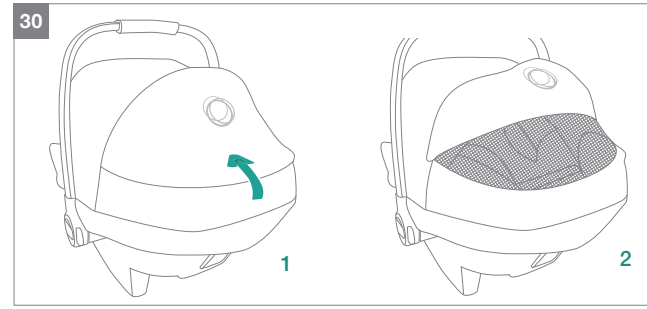
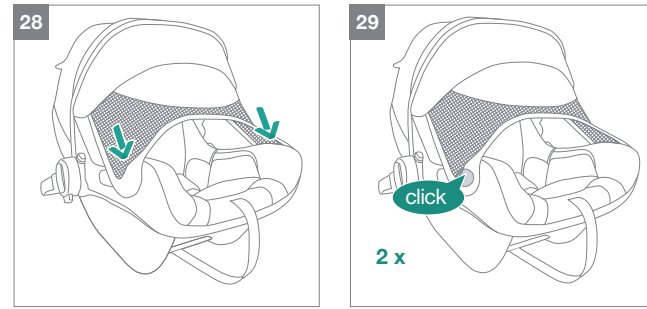
nothing like a Bugaboo

when used with additional Bugaboo adapters for designated Bugaboo strollers, compatible with:



Bugaboo Turtle Air by Nuna is based on the Nuna PIPA next model





FONTOS!
ŐRIZZE MEG EZT A
HASZNÁLATI
ÚTMUTATÓT KÉSŐBBI
REFERENCIÁNAK:
FIGYELMESEN
OLVASSA EL

Tartalom

Termékinformációk	4
A termék regisztrálása	4
Ügyfélszolgálat	4
A gyermekekre vonatkozó előírások	5
Bázisállalppal való használathoz	6
Figyelmeztetések	8
Alkatrészek listája	14
A termék használata	16
Tisztítás és karbantartás	24
Magyar (HU)	2
Slovenský (SK)	26
Slovenščina (SL)	50
Eesti keel (ET)	74
Română (RO)	96
Српски (SR)	120
Latviešu valoda (LV)	144
Türk (TR)	168
العربية (AR)	192

Termékinformációk

Modellszám: _____

Gyártás dátuma: _____

A termék regisztrálása

Kérjük, töltsse ki a fenti adatokat. A modellszámot és a gyártás dátumát a Bugaboo Turtle Air by Nuna autósülés alján találja.

A termék regisztrálásához látogasson el a következő oldalra: <https://service.bugaboo.com/ProductRegistrationForm>

A Nuna a termék fejlesztésekor és gyártásakor figyelembe vette a Nuna és a Bugaboo márkákra jellemző legmagasabb minőségi előírásokat. Kérjük, ügyfélszolgálatunk felkeresésekor készítse elő a termék vásárlását igazoló blokkot, a termék modellszámát és gyártási dátumát. A Bugaboo Turtle Air by Nuna termékkel kapcsolatos hívását a Bugaboo fogadja.

A Bugaboo Turtle Air by Nuna termékre vonatkozó jótállásról az alábbi honlapon tájékozódhat: www.bugaboo.com/warranty

Ügyfélszolgálat

Felmerült kérdéseire valószínűleg választ talál honlapunkon: www.bugaboo.com. Ha mégis fel szeretné venni a kapcsolatot nemzetközi szervizcsapatunkkal, készséggel állunk rendelkezésére! Szívesen megválaszoljuk a termékeinkre és szolgáltatásainkra vonatkozó esetleges kérdéseit, aggályait vagy megjegyzéseit. Bátran keressen fel minket! Visszajelzése segít termékeink és szolgáltatásaink fejlesztésében.

Kérjük, válassza ki a kívánt kapcsolatfelvételi módot:

Telefon, +31-207189531

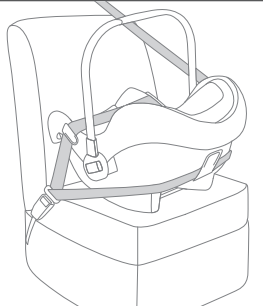
E-mail, service@bugaboo.com

Kapcsolatfelvételi űrlap: bugaboo.com, www.bugaboo.com/support

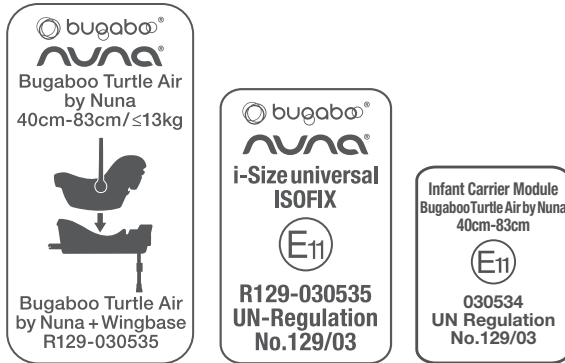
Twitter, @Bugaboo

A gyermekekre vonatkozó előírások

A terméket olyan gyermekek használhatják, akik megfelelnek az alábbi előírásoknak:

Ábra a beszereléshez	Megfelelő, ha:
	<p>A gyermek testmagassága 40 cm - 83 cm/ A gyermek testsúlya ≤ 13kg (körülbelül 15 hónapos vagy annál fiatalabb gyermekeknek).</p>
	<p>A gyermek testmagassága 40 cm - 83 cm/ A gyermek testsúlya ≤ 13kg A gyermek életkora ≤ 15 hónap"</p>

Bázistalppal való használathoz



- 1 Az „i-Size” (integrált univerzális ISOFIX megerősített gyermekbiztonsági rendszerek) a megerősített gyermekbiztonsági rendszerek egy kategóriája, melyet a jármű minden i-Size ülés helyzetében való használatra alkalmasnak terveztek.
- 2 Az ENSZ 129. számú rendelete értelmében a bázistalppal ellátott, megerősített gyermekbiztonsági rendszer univerzális ISOFIX megerősített gyermekbiztonsági rendszernek minősül, és ISOFIX csatlakozókkal rögzítendő.

- 3 Ez egy „i-Size” megerősített gyermekbiztonsági rendszer. Az ENSZ 129. rendelete értelmében jóváhagyták a járművek i-Size kompatibilis ülés helyzetében való használatra, ahogyan azt a jármű gyártója a jármű kézikönyvében feltüntette.
- 4 Ez egy univerzális, biztonsági övvel rögzített megerősített gyermekbiztonsági rendszer. Az ENSZ 129. rendelete értelmében jóváhagyták az alapvetően „univerzális ülés helyzetekben” való használatra, ahogyan azt a jármű gyártója a jármű kézikönyvében feltüntette.
- 5 Ha kétségei vannak, forduljon a megerősített gyermekbiztonsági rendszer gyártójához vagy a forgalmazóhoz."

FIGYELMEZTETÉS

A figyelmeztetések és utasítások figyelmen kívül hagyása súlyos sérülést vagy akár halált is eredményezhet.

Minden, a babahordozó modult a járműbe rögzítő öv és heveder legyen feszes, minden kitémasztóláb érintkezzen a jármű padlójával, minden, a gyermeket rögzítő hevedert állítsanak be a gyermek testméretéhez, és semelyik heveder/öv ne legyen megcsavarodva.

A csomagokat és egyéb tárgyakat, amelyek ütközéskor sérülést okozhatnak, megfelelően rögzítse.

Győződjön meg arról, hogy a megerősített gyermekbiztonsági rendszert úgy rögzítette a járműbe, hogy semmilyen alkatrész nem akadályozza az ülések mozgását vagy a jármű ajtajainak kinyitását/bezárását.

Mielőtt kézzel hordozná a babahordozó modult, győződjön meg arról, hogy a gyermeket bekötötte a hámrendszerű biztonsági övvel, valamint hogy a hordozó fogantyúja megfelelően rögzült függőleges helyzetben.

A karbantartással, javítással és alkatrészcserevel kapcsolatban keresse a forgalmazót.

A megfelelő beszerelés kizárólag ISOFIX csatlakozók használatával engedélyezett.

Rendszeresen ellenőrizze, hogy az ISOFIX vezetőelemek nem szennyeződtek-e be, és szükség esetén tisztítsa meg azokat. A termék megbízhatóságát befolyásolja a felgyűlt szennyeződés, por, ételdarabok stb.

Mielőtt ezt a megerősített gyermekbiztonsági rendszert megvásárolja, győződjön meg arról, hogy azt megfelelően tudja rögzíteni a járművébe.

Ha nincs a megerősített gyermekbiztonsági rendszeren textil borítás, tartsa azt távol a közvetlen napsugárzástól, mert az alkatrészek nagyon felforrósodhatnak, és megégethetik a gyermek bőrét. Tapintással mindig ellenőrizze a megerősített gyermekbiztonsági rendszert, mielőtt a gyermeket beleültetné.

Ahhoz, hogy az ENSZ 129. számú rendeletének értelmében ezt a megerősített gyermekbiztonsági rendszert ISOFIX csatlakozókkal használhassa, a gyermeknek meg kell felelnie az alábbi előírásoknak.

A gyermek testmagassága 40 cm - 83 cm/A
gyermek testsúlya \leq 13kg (körülbelül 15 hónapos vagy annál fiatalabb gyermekeknek).

Ahhoz, hogy a babahordozó modult a jármű biztonsági övével rögzítse, a gyermeknek meg kell felelnie az alábbi előírásoknak.

A gyermek testmagassága 40 cm - 83 cm.

A gyermek testsúlya \leq 13 kg / A
gyermek életkora \leq 15 hónap.

A megerősített gyermekbiztonsági rendszer puha szövet alkatrészeit kizárólag a gyártó által javasolt alkatrészekre szabad lecserélni, mivel a puha alkatrészek is a biztonsági rendszer szerves részét képezik.

A kiesés elkerülése érdekében mindig rögzítse a gyermeket a gyermek rögzítésére szolgáló hámrendszerrel, amikor beülteti a babahordozó modulba, akkor is, ha a megerősített gyermekbiztonsági rendszer nincs a járműben.

A súlyos sérülés vagy halál elkerülése érdekében SOHA ne helyezze a babahordozó modult megemelt felületre, ha a gyermek is benne van.

A megerősített gyermekbiztonsági rendszer alkatrészein semmilyen kenést ne alkalmazzon.

Vegye ki a jármű üléséből a babahordozó modult és a bázisaltalpat, ha nem használja azokat rendszeresen.

MINDIG rögzítse a gyermeket a megerősített gyermekbiztonsági rendszerrel, rövid utakon is, hiszen a legtöbb baleset rövid utakon történik.

SOHA ne hagyja a gyermeket felügyelet nélkül a megerősített gyermekbiztonsági rendszerrel.

SOHA ne használjon másodkézből származó megerősített gyermekbiztonsági rendszert, vagy olyan gyermekbiztonsági rendszert, amelynek nem ismeri a használati előzményeit, mert előfordulhat, hogy a rendszer a gyermek biztonságát veszélyeztető szerkezeti károsodással rendelkezik.

SOHA ne használjon kötelet vagy más helyettesítő eszközt a gyermekbiztonsági rendszer járműbe való rögzítéséhez, illetve a gyermek biztonsági rendszerbe való rögzítéséhez.

SEMMILYEN megerősített gyermekbiztonsági rendszer nem nyújt százszázalékos védelmet a balesetek miatti sérülések ellen. Azonban a megerősített gyermekbiztonsági rendszer megfelelő használata csökkenti a gyermek súlyos sérülésének vagy halálának kockázatát.

NE használjon a menetiránynak háttal beszerelt gyermekbiztonsági rendszert olyan ülés helyzetekben, ahol aktív az első légzsák. Ez halált vagy súlyos sérülést eredményezhet. További információért olvassa el a jármű kézikönyvét.

NE helyezzen semmilyen tárgyat a kitámasztóláb területére, a bázisaltalp elé.

NE használjon más teherviselő érintkezési pontokat, mint amelyek az útmutatóban le vannak írva és a megerősített gyermekbiztonsági rendszeren jelölve vannak.

NE használja tovább a megerősített gyermekbiztonsági rendszert, miután bármilyen ütközést szenvedett, akkor sem, ha csak kisebb koccanása volt. Azonnal cserélje ki, mert az ütközés miatt szemmel nem látható szerkezeti károsodás érthette a terméket.

NE használja ezt a megerősített gyermekbiztonsági rendszert úgy, hogy nem tartja be a kézikönyvben szereplő utasításokat, különben súlyos vagy halálos sérülés veszélyének teheti ki gyermekét.

NE végezzen semmilyen módosítást a megerősített gyermekbiztonsági rendszeren, és ne használja más gyártótól származó alkatrészekkel.

NE használja a gyermekbiztonsági rendszert a puha szövet alkatrészek nélkül.

NE használja a gyermekbiztonsági rendszert, ha sérültek vagy hiányosak az alkatrészei.

NE öltöztesse a gyermekét nagy/túlméretes ruhákba, különben előfordulhat, hogy a gyermeket nem megfelelően és nem biztonságosan rögzíti a vállhevederekkel és a lábak közti ágyékhevederrel.

NE hagyja a gyermekbiztonsági rendszert vagy bármilyen más tárgyat bekötés vagy egyéb rögzítés nélkül a járműben. A nem rögzített gyermekbiztonsági rendszer ide-oda csapódhat a járműben, és sérülést okozhat az utasoknak éles kanyarok, hirtelen fékezés vagy ütközés esetén.

NE helyezzen a javasolt belső párnás betétől eltérő betétet/szivacsot a gyermekbiztonsági rendszerbe.



FIGYELMEZTETÉS

Az ülés használata dönthető bölcsőként

Az ülés használata dönthető bölcsőként.

Mindig használja a gyermekbiztonsági rendszert.

Ha a gyermeke már képes önállóan ülni, NE használja az ülést dönthető bölcsőként.

NE használja az ülést, ha bármelyik eleme törött vagy hiányzik.

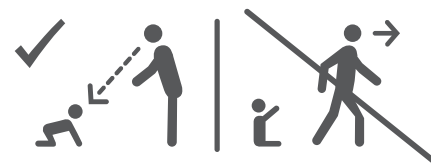
CSAKIS a gyártó által jóváhagyott kiegészítőket vagy cserealkatrészeket használjon.

Az ülést veszélyes megemelt felületeken, például asztalok tetején használni.

SOHA ne hagyja felügyelet nélkül a gyermekét!

Az ülés nem alkalmas arra, hogy a gyermek huzamosabb ideig aludjon benne.

Ez az ülés nem gyermekágy vagy ágy helyettesítésére való. Ha gyermekének alvásra van szüksége, fektesse le egy megfelelő ágyba vagy gyermekágyba.

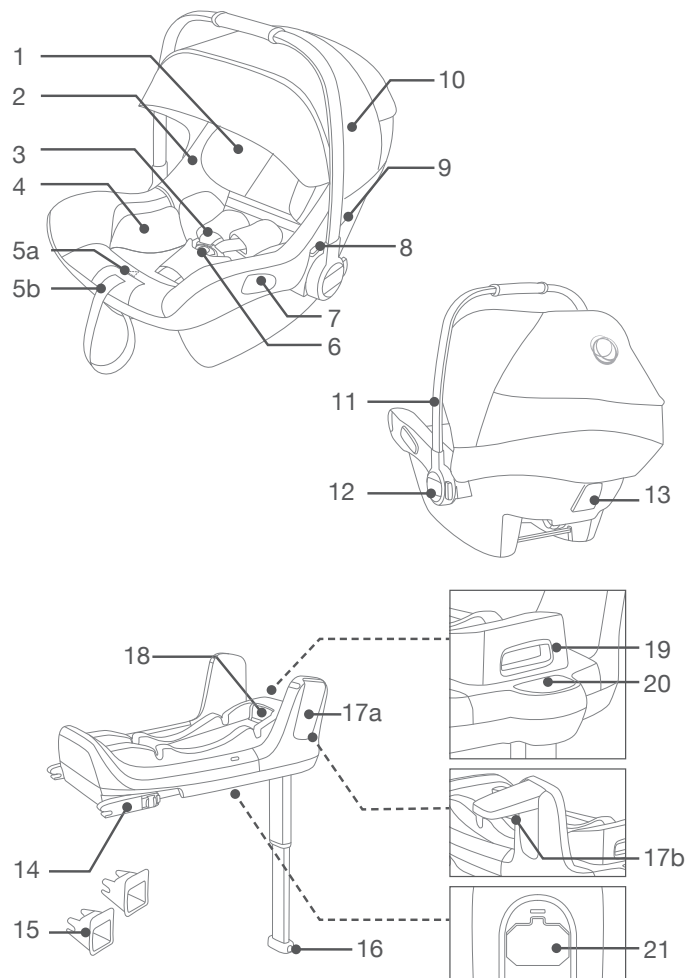


Alkatrészek listája

Összeszerelés előtt győződjön meg arról, hogy minden alkatrész rendelkezésre áll. Előfordulhat, hogy a babakocsi modul és a bázislapot külön lehet megvásárolni. Ha bármilyen alkatrész hiányzik, forduljon a Bugaboo-hoz (további információért lásd a 4. oldalt).

Az összeszereléshez nincs szükség szerszámokra.

- | | |
|-------------------------------------|---|
| 1 Fejtámasz | 13 Hátsó vezetők |
| 2 Ülőpárna | 14 ISOFIX csatlakozó |
| 3 Vállhevederek | 15 ISOFIX vezetők |
| 4 Újszülötteknek való szűkítőbetét | 16 Kitámasztóláb beállítógomb |
| 5a Biztonsági öv beállítógombja | 17a Oldalirányú hatások elleni védőelemek |
| 5b Beállító heveder | 17b Szárny visszahajtó gombja |
| 6 Biztonsági csat | 18 ISOFIX beállítógomb |
| 7 Oldalsó vezetők | 19 Babakocsi modul kioldó gomb |
| 8 Babakocsi vázról való kioldó gomb | 20 Kitámasztóláb jelző |
| 9 Kupolatartó | 21 Használati útmutató tárolórekesz |
| 10 Kupola | |
| 11 Fogantyú | |
| 12 Fogantyú gomb | |



A termék használata

A beszereléssel kapcsolatos tudnivalók

Ez a babakördöző modul olyan jármű-ülésekre való beszerelésre alkalmas, amelyek a bázistalpphoz i-Size ISOFIX rögzítési pontokkal rendelkeznek. (1)

NE használjon a menetiránynak háttal beszerelt gyermekbiztonsági rendszert olyan üléshelyzetekben, ahol aktív az első légzsák. Ez halált vagy súlyos sérülést eredményezhet. (2)

További információért olvassa el a jármű kézikönyvét.

NE szerelje be ezt a megerősített gyermekbiztonsági rendszert olyan ülésekre, amelyek a jármű menetirányához képest oldalt vagy háttal helyezkednek el. (3)

Javasoljuk, hogy a gyermekbiztonsági rendszert a jármű hátsó ülésére szerelje be. (4)



Ne szerelje a gyermekbiztonsági rendszert olyan ülésekre, amelyek beszerelés közben mozognak.

A fogantyú beállítása

- 1 A babakördöző modul fogantyúját 3 különböző állásba lehet beállítani. (5)
Babaülés helyzet. (5)-1
A baba ülésbe való beültetésére szolgáló pozíció. (5)-2
Autóban, kézben vagy babakocsi-vázon való szállításra szolgáló helyzet. (5)-3"

- 2 A fogantyú beállításához nyomja be mindkét oldalon a fogantyú gombjait a kioldáshoz. (6)-1
- 3 Fordítsa el a fogantyút, amíg az a 3 állás egyikébe kattanva rögzül. (6)-2

Beszerelés bázistalppal

- 1 Hajtsa ki a kitámasztótalpat a tárolórekeszből. (7)
 - 2 Illessze az ISOFIX vezetőket az ISOFIX rögzítési pontokhoz. (8) Az ISOFIX vezetők megvédik az ülés felületét a kiszakadástól. Továbbá ezek vezetik a helyükre az ISOFIX csatlakozókat.
 - 3 Nyomja meg az ISOFIX beállítógombot az ISOFIX csatlakozók beállításához. (9)
 - 4 Igazítsa az ISOFIX csatlakozókat az ISOFIX vezetőkhöz, majd pattintsa be mindkét ISOFIX csatlakozót az ISOFIX rögzítési pontokba. (10)
-  Győződjön meg arról, hogy mindkét ISOFIX csatlakozó stabilan rögzült az ISOFIX rögzítési pontokban. Ezt két hallható kattanás jelzi, és a jelzőgomboknak mindkét ISOFIX csatlakozón teljesen zöldre kell váltaniuk. (10)-1
-  Győződjön meg arról, hogy a bázistalpat stabilan beszerelte, ehhez húzza meg mindkét ISOFIX csatlakozót.
- 5 Miután a bázistalpat a jármű ülésére helyezte, húzza ki a kitámasztólábát a padlóig (11). Amikor a kitámasztóláb jelzőgombja zöld, az azt jelenti, hogy megfelelően szerelte be, ha a jelzőgomb piros, akkor nem megfelelően szerelte be. (11)-2

- ⚠️ A kitámasztólábat 19 állásba lehet beállítani. Amikor a kitámasztóláb jelzőgombja piros, az azt jelenti, hogy a kitámasztólábat rossz állásba állította be.
- ⚠️ Győződjön meg arról, hogy a kitámasztóláb teljes felületén felfekszik a jármű padlójára.
- ⚠️ Ha rövidebbre szeretné állítani a kitámasztólábat, nyomja be a kitámasztóláb kioldó gombot, és húzza felfelé a kitámasztólábat. (11)-1
A teljesen összeszerelt bázisaltalpat a (12) ábra mutatja.
- ⚠️ Az ISOFIX csatlakozókat is csatlakoztatni kell, és ezeket rögzíteni kell az ISOFIX rögzítési pontokba. (12)-1
- ⚠️ A kitámasztólábat megfelelően kell beszerelni, hogy a jelzőgomb zöld legyen. (12)-2
- 6 A bázisaltalpat eltávolításához először nyomja meg a másodlagos rögzítőgombot (13)-1, majd a retesz csatlakozóján található gombot (13)-2, mielőtt a bázisaltalpat kivenné a jármű üléséből.
- 7 Az ISOFIX összehajtásához nyomja meg az ISOFIX beállító gombot.
- 8 Nyomja a babahordozó modult a bázisaltalpatba (14), ha a gyermekbiztonsági rendszer stabil, az oldalirányú hatások elleni védőelemek nyitva lesznek és a megerősített gyermekbiztonsági rendszer jelzőgombja zöld. (15)

Az ajtótól távolabbi, oldalirányú hatások elleni védőelemet a (16) ábrán látható módon le is lehet csukni, ha nem használja.

- ⚠️ Próbálja felfelé húzni a babahordozó modult, így meggyőződve arról, hogy az stabilan rögzült a bázisaltalpatba.
- 9 A babahordozó modul kioldásához húzza felfelé a megerősített gyermekbiztonsági rendszert, miközben benyomva tartja a babahordozó modul kioldógombját. (17)

Magasságbeállítás

– fejtámasz és vállhevederek

Ellenőrizze, hogy a vállhevederek megfelelő magasságba vannak-e állítva. A gyermek testmagassága alapján válassza ki a megfelelő vállheveder-átvezető nyílásokat.

- ⚠️ A vállhevedereknek a gyermek vállához a lehető legközelebb kell lenniük (18), de nem a vállvonal fölött. (19)
- ⚠️ Ha a vállhevederek nincsenek megfelelő magasságban, ütközéskor a gyermek kieshet a megerősített gyermekbiztonsági rendszerből.

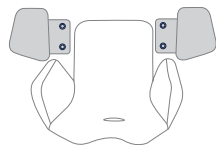
Húzza ki a fejtámasz-beállító kart (20), ezzel egyidőben pedig húzza fel vagy nyomja le a fejtámaszt, amíg az a 7 állás egyikébe kattanva nem rögzül. A fejtámasz állásait a (21) ábra mutatja.

A gyermek rögzítése

Újszülötteknek való szűkítőbetét használata



Javasoljuk, hogy használja a teljes, újszülötteknek való szűkítőbetétet, amíg a gyermek 60 cm-nél alacsonyabb, illetve amíg ki nem növi a szűkítőbetétet. A szűkítőbetét fokozza az oldalirányú hatások elleni védelmet.



Vegye ki a kisgyermekeknek készült szűkítőbetétet, ha a kisgyermek vállal már nem férnek el kényelmesen.

Miután a gyermeket beültette az ülésbe, ellenőrizze, hogy a vállhevederek megfelelő magasságban vannak-e.

- 1 A heveder-beállító gomb nyomva tartásával egyidőben húzza ki teljesen a két vállhevedert a gyermekbiztonsági rendszerből. (22)
- 2 A piros gomb megnyomásával nyissa ki a hevedereket tartó csatot. (23)
- 3 Ültesse a gyermeket a babakördöző modulba, és csatolja be. (25) Lásd a (24) ábrát.
- 4 Feszítse meg a vállhevedereket, ehhez húzza meg a beállító hevedert. (26)

! Győződjön meg arról, hogy a vállhevederek körülbelül olyan távolságra legyenek a gyermektől, hogy egy felnőtt keze beférjen a heveder és a gyermek közé.

Kupola

- 1 Hajlítsa ki a napellenzőt az első kupolaív alól. (27)
- 2 Húzza ki a kifeszíthető okos napellenzőt a két napellenző-réteg közül. (28)
- 3 Rögzítse a mágneseket az autóülés elejének sarkaiba. (29)
- 4 A megfelelő szellőzés érdekében ki lehet nyitni a termék hátulján található nyílást. (30)
A kupola visszahajtásához először fordítsa vissza a napellenzőt az első kupolaív alá, majd hajtsa alá a kifeszíthető okos napellenzőt.

A puha szövet alkatrészek leszerelése és visszaszerelése

lásd a (31)-(40) ábrákat

A puha szövet alkatrészek visszaszereléséhez végezze el az előbbi lépéseket fordított sorrendben.

Beszereles bázisalp nélkül

- 1 NE szerelje be a babakördöző modult olyan ülésekre, amelyek csak kétpontos biztonsági övvel (derékövvvel) rendelkeznek. (41)

- 2 A babakozozó modul kizárólag olyan ülésekben használható, amelyek övvezsahúzóval ellátott, hárompontos biztonsági övvel rendelkeznek (bázis talp használata nélkül). (42)
 - 3 Helyezze a babakozozó modult a jármű azon ülésére, amelyre be szeretné szerelni. Húzza ki a jármű biztonsági övét, és rögzítse az övcsatba úgy, hogy a biztonsági öv deréköv részét átvezeti a babakozozó modul oldalsó vezetőin. (43)
- !** Nem szabad használni a babakozozó modult, ha a jármű biztonsági övének rögzítőrésze (amibe a csatot dugják) túl hosszú a babakozozó modul biztonságos rögzítéséhez. (43)-1
- 4 Csúsztassa az átlós hevedert a hátsó vezetőbe. (44)
 - 5 Húzza meg a jármű vállövet, hogy biztonságosan és stabilan rögzítse a babakozozó modult. (45)
 - 6 A babakozozón lévő vízszintes vonalnak a talajhoz képest vízszintben kell lennie, amikor beszereli a babakozozó modult. (46)
- !** A lehető legjobban feszítse meg a jármű biztonsági övét, és ellenőrizze, hogy az ne legyen meglazulva vagy megcsavarodva.
- !** A babakozozó modul beszerelését követően mindig ellenőrizze, hogy a jármű biztonsági öve megfelelően legyen elvezetve, és stabilan legyen rögzítve a biztonsági öv csatba. (47)

Beszerelés repülőgépen

- !** Vegye figyelembe, hogy a beszerelési és használati útmutató figyelmen kívül hagyása esetén a gyermek biztonságga nem garantált.
- !** Vegye figyelembe, hogy a babakozozó repülőgép-ülésbe való beszerelése eltér az autó ülésébe való beszereléstől.
- !** Vegye figyelembe, hogy a kétpontos derékövvel való rögzítés kizárólag repülőgépen engedélyezett.
- !** Vegye figyelembe, hogy a babakozozó modult akkor is a repülőgép ülésébe rögzítve kell hagyni, ha a gyermeket kiveszi belőle.
- !** Vegye figyelembe, hogy a babakozozó modul kizárólag a légitársaság által engedélyezett utasülésen használható.
- !** Figyelmeztetés: ne használja a babakozozó modult olyan területen, ahol kinyílhat a légszák. (2)
- !** Vegye figyelembe, hogy a menetiránynak háttal beszerelendő babakozozó modult kizárólag a menetirány szerinti utasülésekre szabad beszerelni. (48))

A babakozozó modul rögzítése a repülőgép ülésének biztonsági övével:

- 1 Helyezze a babakozozó modult a menetiránynak háttal az utasülésre.
- 2 Győződjön meg arról, hogy a hordozó fogantyúja a legfelső állásban van.

- 3 Helyezze a biztonsági övet a két övvezetőbe.
- 4 Csatolja be a biztonsági övet (ehhez lásd a légitársaság biztonsági utasításait).
- 5 Feszítse meg a biztonsági övet, ehhez húzza meg az öv végét. (49)

! A biztonsági öv csatja semmiképpen ne kerüljön a sötétzöld övvezetőkön belülre. (50)lie within the dark green belt guides. (50)

Eltávolítás: Csatolja ki az utasülés biztonsági övét (ehhez lásd a légitársaság biztonsági utasításait). Ezután kiveheti a babahordozó modult az ülésből.

Tisztítás és karbantartás

A vázat, a műanyag alkatrészeket és a szövetet egy nedves ruhával tisztítsa, de ne használjon maró hatású tisztítószeret vagy fehérítőt. Ne használjon szilikonos kenőanyagokat, mivel ezek vonzzák a szennyeződések és a piszkot.

A hosszú élettartam és használhatóság biztosítása érdekében esős időben való használat után egy puha, nedvszívó ruhával törölje át a terméket.

Kövesse a szövet alkatrészek kezelési címkéin szereplő mosási és szárítási utasításokat.

Normális dolog, hogy az anyag a napfénytől elszíneződik, illetve hogy hosszú idejű használat után elkopik, akkor is, ha rendeltetésszerűen használják.

Biztonsági okokból kizárólag eredeti Bugaboo by Nuna alkatrészeket használjon.

Rendszeresen ellenőrizze, hogy minden megfelelően működik-e. Ha bármely alkatrész elszakadt, eltört vagy hiányzik, ne használja tovább a terméket.

A jelen útmutatóban szereplő információk előzetes értesítés nélkül változhatnak. A Bugaboo International BV nem vonható felelősségre a jelen dokumentumban esetlegesen szereplő technikai hibákért és hiányosságokért. A megvásárolt termék eltérhet a jelen felhasználói útmutatóban bemutatott terméktől. A legfrissebb felhasználói útmutatókat ügyfélszolgálatunkon vagy a www.bugaboo.com honlapon kérheti. © 2019 Bugaboo International BV. BUGABOO, BUGABOO CAMELEON, BUGABOO BEE, BUGABOO DONKEY, BUGABOO FOX, BUGABOO TURTLE, BUGABOO ANT, BUGABOO LYNX, BUGABOO STARDUST és a Bugaboo logók bejegyzett védjegyek. A Bugaboo® babakocsi szabadalmaztatott és formatervezési mintaoitalom alatt álló termékek. © NUNA International B.V. A Nuna és minden kapcsolódó logó védjegy.

DÔLEŽITÉ!
TENTO NÁVOD SI
ODLOŽTE PRE POUŽITIE
V BUDÚCNOSTI:
ČÍTAJTE POZORNE

Obsah

Informácie o výrobku	28
Registrácia výrobku	28
Služby zákazníkom	28
Požiadavky na použitie dieťaťom	29
Na použitie so základňou	30
Varovania	32
Zoznam súčastí	38
Návod na použitie	40
Čistenie a údržba	48
Magyar (HU)	2
Slovenský (SK)	26
Slovenščina (SL)	50
Eesti keel (ET)	74
Română (RO)	96
Српски (SR)	120
Latviešu valoda (LV)	144
Türk (TR)	168
العربية (AR)	192

Informácie o výrobku

Číslo modelu: _____

Dátum výroby: _____

Registrácia výrobku

Doplňte vyššie uvedené informácie. Číslo modelu a dátum výroby sú uvedené na spodnej strane sedačky Bugaboo Turtle Air by Nuna.

Výrobok si zaregistrujte na webovej stránke:

<https://service.bugaboo.com/ProductRegistrationForm>.

Nuna tento výrobok vyvinula a vytvorila zámerne tak, aby spĺňal normy najvyššej kvality spoločností Nuna a Bugaboo. Pri kontaktovaní spoločnosti kvôli servisu si pripravte doklad o kúpe, číslo modelu a dátum výroby. Spoločnosť Bugaboo prevezme váš hovor týkajúci sa sedačky Bugaboo Turtle Air by Nuna.

Pre informácie o záruke k tejto sedačke Bugaboo Turtle Air by Nuna navštívte webovú stránku: www.bugaboo.com/warranty.

Služby zákazníkom

Odpovede na prípadné otázky môžete nájsť na našej webovej stránke www.bugaboo.com. Ak potrebujete kontaktovať náš tím pre poskytovanie medzinárodných služieb, radi si vás vypočujeme! Odpovíme na akékoľvek vaše otázky, vyriešime problémy alebo si vypočujeme pripomienky, ktoré sa týkajú našich výrobkov a služieb. Neváhajte a kontaktujte nás.

Vaša spätná väzba nám pomáha naše výrobky a služby naďalej zlepšovať.

Zvoľte si uprednostňovaný spôsob kontaktovania:

Telefón, +31-207189531

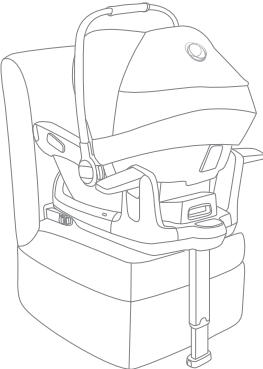
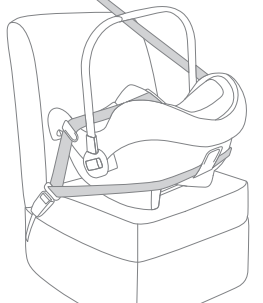
E-mail, service@bugaboo.com

Forma kontaktu bugaboo.com, www.bugaboo.com/support

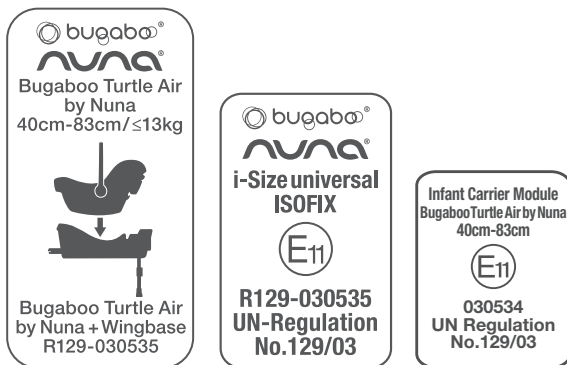
Twitter, @Bugaboo

Požiadavky na použitie dieťaťom

Tento výrobok je vhodný na použitie deťmi, ktoré spĺňajú nasledujúce požiadavky:

Obrázok k inštalácii	Vhodné pre
	dieťa s výškou 40 cm – 83 cm/ dieťa s hmotnosťou ≤ 13 kg (vo veku približne 15 mesiacov alebo mladšie)"
	dieťa s výškou 40 cm - 83 cm dieťa s hmotnosťou ≤ 13 kg (vo veku ≤15 mesiacov)

Na použitie so základňou



- 1 „i-Size” (integrované univerzálne zdokonalené detské zadržiacie systémy ISOFIX) je kategória zdokonaleného detského zadržiacieho systému, ktorý je primárne určený na použitie na všetkých sedadlách typu i-Size vo vozidle.
- 2 Podľa nariadenia OSN č. 129, zdokonalené detské zadržiacie zariadenie so základňou je univerzálne zdokonalené detské zadržiacie zariadenie ISOFIX a je potrebné ho montovať pomocou úchytiak ISOFIX.
- 3 Ide o zdokonalený detský zadržiací systém typu „i-Size”. Je schválený podľa nariadenia OSN č. 129 na použitie na sedadlách vozidiel kompatibilných s typom i-Size , ako uvádzajú výrobcovia vozidiel v návode na použite vozidla.

- 4 Ide o univerzálny zdokonalený detský zadržiací systém vybavený pásmi. Je schválený podľa nariadenia OSN č. 129 na použitie na univerzálnych sedadlách, , ako uvádzajú výrobcovia vozidiel v návode na použite vozidla.
- 5 V prípade pochybností sa obráťte na výrobcu zdokonaleného detského zadržiacieho systému alebo predajcu.

VAROVANIE

Nedodržanie týchto varovaní a pokynov môže viesť k vážnym úrazom alebo smrti.

Popruhy, ktoré pridržiavajú modul dojčenského nosiča k vozidlu, musia byť utiahnuté, nosný podstavec musí byť v kontakte s podlahou vozidla, popruhy, ktoré zadržiavajú dieťa, musia byť nastavené podľa tela dieťaťa a popruhy nesmú byť skrútené.

Batožina alebo iné predmety, ktoré by mohli dieťa poraniť v prípade kolízie, musia byť riadne zaistené.

Skontrolujte, či je zdokonalený detský zadržiavací systém nainštalovaný tak, že žiadna jeho časť nie je v kontakte s posuvnými sedadlami a nezasahuje do priestoru otvárania dverí.

Skôr, ako modul dojčenského nosiča odnesiete v ruke, uistite sa, že dieťa je pripútané detskými popruhmi a že rukoväť je správne zaistená vo vertikálnej polohe.

Vo veciach údržby, opravy a výmeny súčiastok sa poraďte s distribútorom.

Správna inštalácia je povolená len s použitím konektorov ISOFIX.

Vodiace lišty ISOFIX opakovane kontrolujte, či nie sú zašpinené a v prípade potreby ich vyčistite. Spolahlivosť výrobku môže narušiť vniknutie špiny, prachu, kúskov potravín a pod.

Pred kúpou tohto zdokonaleného detského zadržiavacieho zariadenia si overte, či sa dá nainštalovať vo vašom vozidle.

Toto zdokonalené detské zadržiavacie zariadenie bez textilného krytu chráňte pred slnečným žiarením, pretože to môže detskú pokožku páliť. Vždy sa zdokonaleného detského zadržiavacieho zariadenia dotknite skôr, ako doň uložíte dieťa.

Ak chcete toto zdokonalené detské zadržiavacie zariadenie používať bez pripojenia ISOFIX v zmysle nariadenia OSN č. 129, vaše dieťa musí vyhovovať nasledujúcim požiadavkám.

Výška dieťaťa 40 cm - 83 cm/hmotnosť dieťaťa ≤ 13 kg (vek približne 15 mesiacov alebo menej).

Ak chcete tento modul dojčenského nosiča používať s pásom vozidla, vaše dieťa musí vyhovovať nasledujúcim požiadavkám.

Výška dieťaťa 40 cm - 83 cm.

Hmotnosť dieťaťa ≤ 13 kg/vek dieťaťa ≤ 15 mesiacov.

Textilnú časť zdokonaleného detského zadržiavacieho systému nie je možné nahrádzať inou ako odporúčanou výrobcom, pretože textilná časť je neoddeliteľná pri plnení funkcie zadržiavacieho systému.

Aby ste predišli riziku vypadnutia dieťaťa, vždy ho zaistite pomocou detských popruhov, keď ho vložíte do modulu dojčenského nosiča, dokonca aj vtedy, keď zdokonalené detské zadržiavacie zariadenie nie je vo vozidle.

Aby ste predišli vážnemu poraneniu alebo smrti, NIKDY nekladte modul dojčenského nosiča na sedadlo s vyvýšeným povrchom, ak v ňom je dieťa.

Časti tohto zdokonaleného detského zadržiacieho zariadenia sa nesmú vôbec mazať.

Ak tento modul dojčenského nosiča so základňou nebudete pravidelne používať, dajte ho zo sedadla vozidla dolu.

Dieťa VŽDY v zdokonalenom detskom zadržiacom zariadení zaistíte, aj počas krátkych jazd, pretože vtedy najčastejšie dochádza k nehodám.

NIKDY nenechávajte dieťa bez dozoru v tomto zdokonalenom detskom zadržiacom zariadení.

NIKDY nepoužívajte zdokonalené detské zadržiacie zariadenie z druhej ruky ani zdokonalené detské zadržiacie zariadenie, ktorého históriu nepoznáte, pretože môže mať poškodenú konštrukciu, ktorá môže ohroziť bezpečnosť vášho dieťaťa.

NIKDY nepoužívajte laná ani iné náhrady bezpečného zdokonaleného detského zadržiacieho systému vo vozidle a na pripútanie dieťaťa v zdokonalenom detskom zadržiacom zariadení.

ŽIADNE zdokonalené detské zadržiacie zariadenie nemôže garantovať úplnú ochranu pred poranením pri nehode. Správne používanie tohto zdokonaleného detského zadržiacieho zariadenia však zníži riziko vážneho poranenia alebo smrti vášho dieťaťa.

Zdokonalené detské zadržiacie systémy obrátené dozadu NEPOUŽÍVAJTE na sedadlách s nainštalovaným aktívnym predným airbagom. Mohlo by dôjsť k smrti alebo vážnemu poraneniu. Viac informácií nájdete v návode na použitie pre vlastníka vozidla.

NEKLAĎTE žiadne predmety do priestoru nosného podstavca pred základňou.

NEPOUŽÍVAJTE žiadne iné miesta kontaktu s nosnou podperou, než tie, ktoré sú opísané v návode a vyznačené na zdokonalenom detskom zadržiacom zariadení.

NEPOKRAČUJTE v používaní tohto zdokonaleného detského zadržiacieho zariadenia po akomkoľvek type havárie, dokonca aj po menšej havárii. Okamžite ho vymeňte, ak môže mať po nehode viditeľné poškodenie konštrukcie.

Toto zdokonalené detské zadržiacie zariadenie NEINŠTALUJTE bez toho, aby ste postupovali podľa pokynov v tomto návode, inak by ste mohli vystaviť svoje dieťa vážnemu riziku poranenia alebo smrti.

NEVYKONÁVAJTE žiadne úpravy na tomto zdokonalenom detskom zadržiacom zariadení a nepoužívajte ho s dielmi od iných výrobcov.

NEPOUŽÍVAJTE tento zdokonalený detský zadržiací systém bez textilnej časti.

NEPOUŽÍVAJTE toto zdokonalené detské zadržiacie zariadenie, ak sú jeho časti poškodené, alebo ak dokonca chýbajú.

NEOBLIEKAJTE dieťaťu veľké/nadmerne veľké oblečenie, pretože by to mohlo zabrániť riadnemu a bezpečnému pripútaniu dieťaťa pásmi ramenného popruhu a pásom vedúcim ponad rozkrok medzi nohami.

NENECHÁVAJTE vo vozidle toto zdokonalené detské zadržiavacie zariadenie ani iné predmety nepripútané pásmi alebo nezaistené, pretože nezaistené zdokonalené detské zadržiavacie zariadenie môže byť vymrštené a môže poraniť pasažierov v ostrých zákrutách, pri náhlom zastavení alebo kolízií.

Do tohto zdokonaleného detského zadržiavacieho zariadenia NEVKLADAJTE nič iné okrem odporúčaného vnútorného čalúnenia.



VAROVANIE

Používanie sedačky ako lehátka

Používanie sedačky ako lehátka.

Vždy používajte zadržiavací systém.

Sedačku NEPOUŽÍVAJTE ako lehátko, ak dieťa vie sedieť bez opory.

Sedačku NEPOUŽÍVAJTE, ak sú niektoré diely poškodené alebo chýbajú.

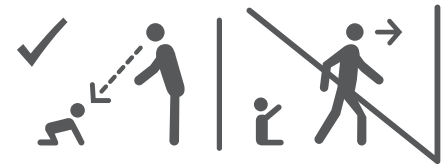
NEPOUŽÍVAJTE príslušenstvo ani iné náhradné diely, ktoré výrobca neschválil.

Používanie tejto sedačky na vyvýšených povrchoch, napríklad na stole, je nebezpečné.

Dieťa NIKDY nenechávajte bez dozoru.

Táto sedačka nie je určená pre dlhší spánok.

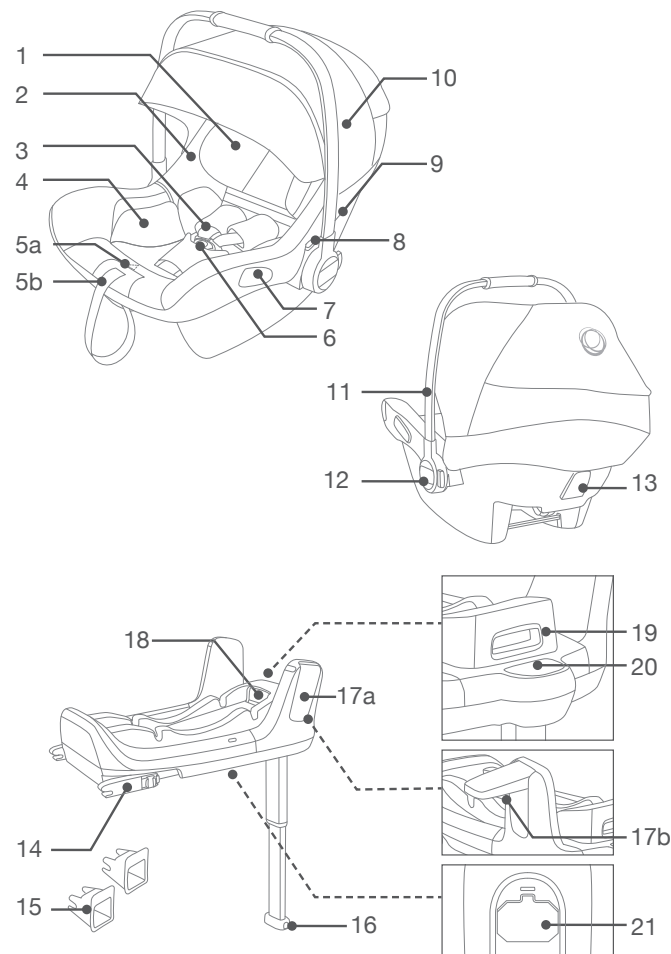
Táto sedačka nenahrádza kolísku ani detskú postieľku. Ak dieťa usína, potom ho premiestnite do vhodnej kolísky alebo detskej postieľky.



Zoznam súčastí

Pred montážou skontrolujte, či máte k dispozícii všetky súčasti. Modul nosiča dojčiat a základňa sa môžu predávať samostatne. Ak nejaká súčasť chýba, kontaktujte spoločnosť Bugaboo (pozri stránku 28, kde sú uvedené informácie). Pri montáži nie sú potrebné žiadne nástroje.

- | | |
|--------------------------------|---|
| 1 opierka hlavy | 14 konektor ISOFIX |
| 2 čalúnenie | 15 vodiace lišty ISOFIX |
| 3 ramenné popruhy | 16 tlačidlo nastavenia nosného podstavca |
| 4 dojčenská vložka | 17a bočnice na ochranu pri bočnom náraze |
| 5a tlačidlo na nastavenie pásu | 17b tlačidlo na sklopenie bočnej opierky |
| 5b nastavovacia popruhy | 18 tlačidlo nastavenia ISOFIXU |
| 6 bezpečnostná spona | 19 tlačidlo uvoľnenia modulu dojčenského kočíka |
| 7 bočné vodiace lišty | 20 indikátor nosného podstavca |
| 8 tlačidlo na uvoľnenie kočíka | 21 priehradka na úschovu návodu na použitie |
| 9 úchytky striešky | |
| 10 strieška | |
| 11 rukoväť | |
| 12 tlačidlo rukoväte | |
| 13 zadná vodiaca lišta | |



Návod na použitie

Bezpečnostná poznámka k inštalácii

Tento modul dojčenského nosiča je vhodný pre sedadlá vozidiel s kotviacimi bodmi ISOFIX typu i-Size so základňou. (1)

Zdokonalené detské zadržiavacie systémy obrátené dozadu NEINŠTALUJTE na sedadlách s nainštalovaným aktívnym predným airbagom. Mohlo by dôjsť k smrti alebo vážnemu poraneniu. (2)
Viac informácií nájdete v návode na použitie pre vlastníka vozidla .

Toto zdokonalené detské zadržiavacie zariadenie NEINŠTALUJTE na sedadle vozidla, ktoré je čelom otočené nabok alebo dozadu vzhľadom na smer pohybu vozidla. (3)

Toto zdokonalené detské zadržiavacie zariadenie sa odporúča inštalovať na zadnom sedadle vozidla. (4)



Zdokonalené detské zadržiavacie zariadenie NEINŠTALUJTE na sedadlách vozidla, ktoré sa počas inštalácie posúvajú.

Nastavenie rukoväte

- 1 Rukoväť modulu dojčenského nosiča je možné nastaviť do 3 polôh. (5)
Poloha detskej stoličky. (5)-1
Poloha pre vkladanie dieťaťa do sedačky. (5)-2
Poloha pre transport v aute, v ruke alebo na kočíku. (5)-3

- 2 Pre nastavenie rukoväte stlačte tlačidlá rukoväte na oboch stranách, čím ju uvoľníte. (6)-1
- 3 Rukoväťou otáčajte, dokiaľ nezapadne do niektorej z 3 polôh. (6)-2

Inštalácia so základňou

- 1 Z úložného priestoru vyklopte nosný podstavec. (7)
 - 2 Vodiace lišty ISOFIX pripojte ku kotviacim bodom ISOFIX . (8) Vodiace lišty ISOFIX môžu chrániť povrch sedadla vozidla pred roztrhnutím. Tiež môžu viesť konektory ISOFIX.
 - 3 Stlačte tlačidlo nastavenia ISOFIXu pre nastavenie konektorov ISOFIX. (9)
 - 4 Konektory ISOFIX zarovnajte s vodiacimi lištami ISOFIX a potom zatlačte oba konektory ISOFIX do kotviacich bodov ISOFIX. (10)
-  Uistite sa, že oba konektory ISOFIX sú bezpečne pripojené ku kotviacim bodom ISOFIX. Mali by ste počuť dve kliknutia a farby indikátorov na oboch konektoroch ISOFIX by mali byť celé zelené. (10)-1
-  Skontrolujte, či je základňa bezpečne nainštalovaná , a to potiahnutím za oba konektory ISOFIX.
- 5 Po uložení základne na sedadlo vozidla vysuňte nosný podstavec na podlahu (11). Ak má indikátor nosného podstavca zelenú farbu, znamená to,

že je základňa nainštalovaná správne, červená znamená, že je nainštalovaná nesprávne. (11)-2

- ⚠️ Nosný podstavec má 19 polôh. Keď má indikátor nosného podstavca červenú farbu, znamená to, že nosný podstavec je v nesprávnej polohe.
 - ⚠️ Skontrolujte, či je nosný podstavec v tesnom kontakte s rovinou podlahy vozidla.
 - ⚠️ Nosný podstavec skrátime stlačením uvoľňovacieho tlačidla nosného podstavca a potiahnutím nosného podstavca nahor. (11)-1 Kompletne zmontovaná základňa je zobrazená ako (12).
 - ⚠️ Konektory ISOFIX musia byť pripojené a ukotvené ku kotviacim bodom ISOFIX. (12)-1
 - ⚠️ Nosný podstavec musí byť nainštalovaný správne a jeho indikátor musí mať zelenú farbu. (12)-2
- 6 Pre demontovanie základne stlačte najskôr sekundárne aretačné tlačidlo (13)-1 a potom tlačidlo (13)-2 na konektoroch so západkou, až potom môžete dať základňu dolu zo sedadla vozidla.
 - 7 Pre sklopenie ISOFIXu stlačte tlačidlo nastavenia ISOFIXu.
 - 8 Modul dojčenského nosiča pritlačte na základňu (14), keď je zdokonalený detský zadržiaci systém zaistený, bočnice pre ochranu pri bočnom náraze sa roztvoria a indikátor zdokonaleného detského zadržiacieho zariadenia bude mať zelenú farbu. (15) Bočnica pre ochranu pri

bočnom náraze, ktorá je ďalej od dverí, sa dá sklopiť, ako je uvedené na obrázku (16), ak ju nebudete používať.

- ⚠️ Modul dojčenského nosiča potiahnite nahor, aby ste sa uistili, že je bezpečne zaaretovaný v základni.
- 9 Pre uvoľnenie modulu dojčenského nosiča potiahnite zdokonalené detské zadržiacie zariadenie nahor a stlačte pritom uvoľňovacie tlačidlo modulu dojčenského nosiča. (17)

Nastavenie výšky

opierky hlavy a ramenných popruhov

Skontrolujte, či pásy ramenného popruhu sú nastavené v správnej výške. Správny pár otvorov na prevlečenie popruhov vyberte podľa výšky dieťaťa.

- ⚠️ Pásy ramenného popruhu musia byť čo najbližšie k ramenám dieťaťa (18), ale nie nad líniou jeho ramien. (19)
- ⚠️ Ak pásy ramenného popruhu nie sú v správnej výške, dieťa môže byť v prípade nehody vymrštené zo zdokonaleného detského zadržiacieho zariadenia.

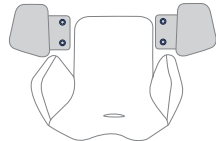
Potiahnite páčku nastavenia opierky hlavy (20), medzitým vyťahnite alebo zasuňte opierku hlavy, kým nezapadne do jednej zo 7 polôh. Polohy opierky hlavy sú zobrazené (21).

Zaistenie dieťaťa

Použitie dojčenskej vložky



Odporúčame používať kompletnú dojčenskú vložku, kým dieťa nemá výšku 60 cm, alebo dokiaľ vložku neprerastie. Dojčenská vložka zvyšuje ochranu pri bočnom náraze.



Dojčenskú hlavovú vložku s bočnicami vyberte, keď ramená dieťaťa nemajú už dostatok miesta.

Po položení dieťaťa na sedadlo skontrolujte, či pásy ramenného popruhu sú v správnej výške.

- 1 Počas zatlačania na tlačidlo nastavenia popruhu úplne vytiahnite dva pásy ramenného popruhu zo zdokonaleného detského zadržiavacieho zariadenia. (22)
 - 2 Sponu popruhu rozopnite stlačením červeného tlačidla. (23)
 - 3 Dieťa položte do modulu dojčenského nosiča a sponu zapnite. (25) Pozri (24).
 - 4 Dotiahnite pásy ramenného popruhu potiahnutím za nastavovacie popruhy. (26)
- !** Uistite sa, že medzi dieťaťom a pásmi ramenného popruhu je priestor na hrúbku jednej ruky.

Strieška

- 1 Vyklepte štít spod oblúka prednej striešky. (27)
- 2 Vytiahnite rozťahovací 'inteligentný štít' spomedzi dvoch vrstiev štítu. (28)
- 3 Na každý roh v prednej časti sedadla vozidla pripevnite magnety. (29)
- 4 Priezor na zadnej strane môžete otvoriť kvôli vetraniu. (30)
Pri skladaní striešky najskôr zasuňte štít pod predný oblúk striešky a potom naspodok poskladajte rozťahovací inteligentný štít.

Demontáž a montáž textilných častí

pozri obrázky (31) - (40)

Pri opätovnej montáži textilných častí postupujte podľa vyššie uvedených krokov v opačnom poradí.

Inštalácia bez základne

- 1 Tento dojčenský nosič **NEINŠTALUJTE** na sedadlách vozidiel s bedrovými pásmi. (41)
- 2 Tento modul dojčenského nosiča je vhodný len pre sedadlá vozidiel s 3-bodovým samonavíjacím bezpečnostným pásom (bez základne). (42)

3 Modul dojčenského nosiča položte na sedadlo vozidla podľa vlastného želania. Vytiahnite bezpečnostný pás vozidla a zapnite ho do spony vo vozidle, pričom bedrový pás vozidla vedte cez bočné vodiče modulu dojčenského nosiča. (43)

! Modul dojčenského nosiča sa nedá použiť, keď spona bezpečnostného pásu vo vozidle (časť spony, do ktorej sa zasúva protikus) je príliš dlhá a bráni bezpečnému ukotveniu modulu dojčenského nosiča . (43)-1

4 Šikmý pás zasuňte do zadného vodiča. (44)

5 Ramenný pás vozidla potiahnite, aby ste modul dojčenského nosiča tesne a bezpečne dotiahli. (45)

6 Ryska na module dojčenského nosiča musí byť po nainštalovaní modulu dojčenského nosiča vo vodorovnej polohe . (46)

! Bezpečnostný pás vozidla musí byť čo možno najviac napnutý, skontrolujte, či nie je povolený alebo skrútený.

! Po nainštalovaní modulu dojčenského nosiča vždy skontrolujte, či sú pásy vozidla vedené správne a či sú bezpečne zapnuté do spony vo vozidle. (47)

Inštalácia v lietadle

! Venujte pozornosť tomu, že bezpečnosť dieťaťa pri nedodržaní návodu na inštaláciu a použitie nie je garantovaná.

! Uvedomte si, že inštalácia modulu dojčenského nosiča na sedadle lietadla sa líši od inštalácie na sedadle auta.

! Všimnite si, že v lietadle je dovolený len 2-bodový nástavec bedrového pásu .

! Všimnite si, že modul dojčenského nosiča musí zostať pripútaný k sedadlu lietadla, aj keď v ňom dieťa nie je.

! Všimnite si, že modul dojčenského nosiča je možné používať len na sedadle pasažiera, ktoré schváli letecká spoločnosť.

! Upozornenia na zákaz používania modulu dojčenského nosiča v oblasti, ktorú zasahuje airbag. (2)

! Všimnite si, že modul dojčenského nosiča smerujúci dozadu je možné inštalovať len na sedadlách pasažiera, ktoré sú otočené dopredu . (48)

Inštalácia modulu dojčenského nosiča pomocou bezpečnostného pásu pre sedadlá v lietadle:

1 Modul dojčenského nosiča položte na sedadlo pasažiera v protismere letu.

2 Uistite sa, že rukoväť na prenášanie je v hornej polohe.

3 Bezpečnostný pás zavedte do oboch vodičov pásu.

4 Zapnite bezpečnostný pás (pozri bezpečnostné pokyny leteckej spoločnosti).

- 5 Bezpečnostný pás utiahnite potiahnutím za koniec pásu. (49)
- ⚠ Spona bezpečnostného pásu nesmie za žiadnych okolností ležať v tmavozelených vodičoch pásu. (50)

Odpájanie: Rozopnite bezpečnostný pás sedadla spolujazdca (pozri bezpečnostné pokyny leteckej spoločnosti). Teraz môžete modul dojčenského nosiča zdvihnúť zo sedadla spolujazdca.

Čistenie a údržba

Vyčistite rám, plastové súčasti a látku vlhkou handričkou, ale nepoužívajte abrazívne prostriedky a bielicidlá. Nepoužívajte silikónové mazadlá, pretože priťahujú prach a špinu.

Pre zaistenie dlhodobého používania výrobok po použití za daždivého počasia poutierajte mäkkou savou handričkou.

Pri praní a sušení sa riadte štítkami so symbolmi starostlivosti, ktoré sú pripevnené k textilnému tovaru.

Zmena farby látky vplyvom slnečného žiarenia a vykazovanie známkop opotrebenia po dlhšej dobe používania je normálne, aj v prípade normálneho používania.

Z bezpečnostných dôvodov používajte len originálne súčiastky Bugaboo od spoločnosti Nuna.

Pravidelne kontrolujte, či všetko funguje správne, Ak sú niektoré súčasti roztrhnuté, zlomené alebo chýbajú, tento výrobok prestaňte používať.

Informácie uvedené v tomto dokumente podliehajú zmenám bez oznámenia. Spoločnosť Bugaboo International BV nebude niest zodpovednosť za technické chyby alebo opomenutia v tomto dokumente. Zakúpený výrobok sa môže líšiť od výrobku, ako je opísaný v tomto návode. Naše aktuálne návody si môžete vyžiadať od pracovníkov našich oddelení služieb alebo na webovej stránke www.bugaboo.com. © 2019 Bugaboo International BV. BUGABOO, BUGABOO CAMELEON, BUGABOO BEE, BUGABOO DONKEY, BUGABOO FOX, BUGABOO TURTLE, BUGABOO ANT, BUGABOO LYNX, BUGABOO STARDUST a logá Bugaboo sú registrované ochranné známky. Kočičky Bugaboo® sú patentované a ich dizajn je chránený. © NUNA International B.V. Nuna a všetky súvisiace logá sú ochrannými značkami.

**POMEMBNO!
TA NAVODILA SHRANITE
ZA POZNEJŠO
UPORABO:
POZORNO PREBERITE**

Vsebina

Informacije o izdelku	52
Registracija izdelka	52
Storitve za stranke	52
Zahteve za uporabo pri otrocih	53
Za uporabo z bazo	54
Opozorila	56
Seznam delov	62
Uporaba izdelka	64
Čiščenje in vzdrževanje	72

Magyar (HU)	2
Slovenský (SK)	26
Slovenščina (SL)	50
Eesti keel (ET)	74
Română (RO)	96
Српски (SR)	120
Latviešu valoda (LV)	144
Türk (TR)	168
العربية (AR)	192

Informacije o izdelku

Številka modela: _____

Proizvedeno v (datum): _____

Registracija izdelka

Vzpolnite informacije zgoraj. Številka modela in datum proizvodnje se nahajata na dnu izdelka Bugaboo Turtle Air by Nuna.

Za registracijo izdelka obiščite:
<https://service.bugaboo.com/ProductRegistrationForm>.

Nuna je namenoma razvila in proizvedla ta izdelek za doseganje visokih standardov kakovosti proizvajalcev Nuna in Bugaboo. Kadar se na nas obračate glede servisa imejte na voljo dokazilo o nakupu, številko modela in datum proizvodnje. Vaš klic o izdelku Bugaboo Turtle Air by Nuna bo sprejel Bugaboo.

Za informacije o garanciji tega izdelka Bugaboo Turtle Air by Nuna obiščite: www.bugaboo.com/warranty.

Storitve za stranke

Odgovor na vaša vprašanja boste morda lahko našli na spletni strani www.bugaboo.com. Če se želite obrniti na našo mednarodno ekipo za izvajanje storitev, vam bomo z veseljem prisluhnili! Vedno smo vam na voljo za kakršna koli vprašanja, pomisleke ali pripombe, ki jih imate glede naših izdelkov in storitev. Brez oklevanja se obrnite na nas. Vaše povratne informacije nam pomagajo pri nadaljnjem izpopolnjevanju naših izdelkov in storitev.

Izberite svoj priljubljen način stika:

Telefón, +31-207189531

E-mail, service@bugaboo.com

Kontaktni obrazec preko bugaboo.com,
www.bugaboo.com/support

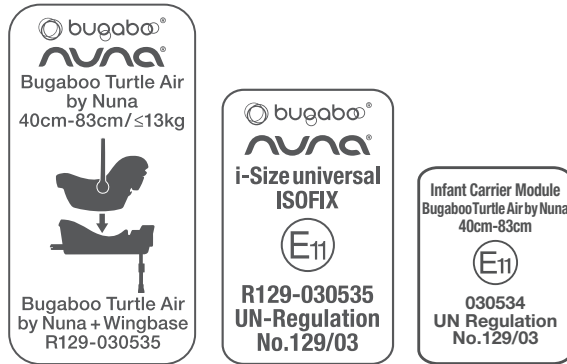
Twitter, @Bugaboo

Zahteve za uporabo pri otrocih

Izdelek je primeren za uporabo pri otrocih, ki izpolnjujejo naslednje pogoje:

Slika za namestitev	Primerno za
	Otrokova višina 40 cm–83 cm Otrokova teža ≤13 kg (za starost približno 15 mesecev ali manj)
	Otrokova višina 40 cm–83 cm Otrokova teža ≤13 kg Otrokova starost ≤15 mesecev

Za uporabo z bazo



- 1 »i-Size« (Integralni univerzalni izboljšani sistemi za zadrževanje otrok ISOFIX) je kategorija izboljšanega sistema za zadrževanje otrok, ki je prvotno zasnovana za uporabo na vseh sedežnih mestih i-Size vozila.
- 2 Skladno s Pravilnikom ZN št. 129 je izboljšan sistem zadrževanja otrok z bazo standard univerzalnega ISOFIX izboljšanega sistema za zadrževanje otrok in mora biti vgrajen z uporabo pritrdilnih elementov ISOFIX.
- 3 To je izboljšani sistem za zadrževanje otrok »i-Size«. V skladu s Pravilnikom ZN št. 129 je homologiran za uporabo na sedežnih prostorih v vozilih, ki so združljiva s standardom i-Size, kot navajajo proizvajalci vozil v priročnikih za uporabo vozil.

- 4 To je univerzalni izboljšani sistem za zadrževanje otrok s pasom. V skladu s Pravilnikom ZN št. 129 je homologiran za uporabo primarno na univerzalnih sedežnih prostorih, kot navajajo proizvajalci vozil v priročnikih za uporabo vozil.
- 5 V primeru dvomov, se posvetujte s proizvajalcem ali prodajalcem izboljšanega sistema za zadrževanje otrok.

OPOZORILO

Neupoštevanje teh opozoril in navodil lahko privede do resnih poškodb ali smrti.

Vsi pasovi, ki pritrjujejo modul nosila za otroka na vozilo, morajo biti zategnjeni; podporna noga mora biti v stiku s tlemi vozila; pasovi, ki zadržujejo otroka, morajo biti prilagojeni glede na otrokovo telo in ti pasovi ne smejo biti zviti.

Kakršna koli prtljaga in drugi predmeti, ki bi lahko v primeru trka povzročili poškodbe, morajo biti primerno pritrjeni.

Prepričajte se, da je sistem za zadrževanje otrok nameščen na takšen način, da noben njegov del ne moti premičnih sedežev ali delovanja vrat vozila.

Preden začnete s prenosom modula nosila za otroka z roko, se prepričajte, da je otrok pripet s H-pasom za otroke in, da je ročaj pravilno zaklenjen v pokončnem položaju.

Glede težav povezanih z vzdrževanjem, popravilom in zamenjavo delov, se posvetujte z distributerjem.

Pravilna namestitvev je dovoljena samo z uporabo pritrdilnih elementov ISOFIX.

Pogosto pogledajte ali so vodila za ISOFIX umazana in jih po potrebi očistite. Na zanesljivost lahko vpliva vdor umazanije, prahu, delčkov hrane ipd.

Pred nakupom tega izboljšanega sistema za zadrževanje otrok, preverite, ali ga lahko pravilno namestite v vaše vozilo.

Ta izboljšani sistem za zadrževanje otrok brez prevleke iz tkanine držite stran od sončnih žarkov, saj lahko postane prevroč za otrokovo kožo. Preden vanj položite otroka, z dotikom vedno preverite izboljšani sistem za zadrževanje otrok.

Za uporabo tega izboljšanega sistema za zadrževanje otrok s pritrdilnimi elementi ISOFIX, mora skladno s Pravilnikom ZN št. 129 vaš otrok izpolnjevati naslednje pogoje.

Otokova višina 40 cm–83 cm/Otokova teža ≤ 13 kg (starost približno 15 mesecev ali manj).

Za uporabo tega modula nosila za otroka skupaj s pasom vozila, mora vaš otrok izpolnjevati naslednje pogoje.

Otokova višina 40 cm–83 cm.

Otokova teža ≤ 13 kg/Otokova starost ≤ 15 mesecev.

Mehkih artiklov izboljšanega sistema za zadrževanje otrok ne smete zamenjati z nobenimi drugimi, kot le tistimi, ki jih priporoča proizvajalec, saj so mehki artikli sestavni del delovanja sistema za zadrževanje otrok.

Da preprečite tveganje padca, otroka vedno pripnite s pomočjo H-pasu za otroke, kadar je otrok v modulu nosila za otroke, četudi izboljšani sistem za zadrževanje otrok ni v vozilu.

Da preprečite nastanek resnih poškodb ali smrt, modula nosila za otroke NIKOLI ne polagajte na dvignjeno površino sedeža, kadar je otrok v njem.

Deli tega izboljšanega sistema za zadrževanje otrok ne smejo biti na noben način naoljeni.

Ta modul nosila za otroka in bazo odstranite iz sedeža vozila, kadar ta ni v redni uporabi.

VEDNO pripnite otroka v izboljšani sistem za zadrževanje otrok, tudi na kratkih poteh, saj se ravno v teh primerih pripeti največ nesreč.

Svojega otroka NIKOLI ne puščajte brez nadzora s tem izboljšanim sistemom za zadrževanje otrok.

NIKOLI ne uporabljajte rabljenega izboljšanega sistema za zadrževanje otrok ali izboljšanega sistema za zadrževanje otrok, katerega zgodovine ne poznate, saj ima lahko strukturne poškodbe, ki bi lahko ogrozile varnost vašega otroka.

NIKOLI ne uporabljajte vrvi ali drugih nadomestkov za pripenjanje izboljšanega sistema za zadrževanje otrok v vozilo ali za pripenjanje otroka v izboljšani sistem za zadrževanje otrok.

NOBEN izboljšani sistem za zadrževanje otrok ne more zagotoviti popolne zaščite pred poškodbo v primeru nesreče. Vendar pa pravilna uporaba tega izboljšanega sistema za zadrževanje otrok zmanjša tveganje za resne poškodbe ali smrt vašega otroka.

NE uporabljate nazaj obrnjenih sistemov za zadrževanje otrok na sedežnih prostorih, ki so opremljeni z aktivno čelno zračno blazino. Lahko pride do smrti ali resne poškodbe. Za več informacij si oglejte priročnik za lastnika voznika.

NE polagajte predmetov v območje podporne noge na sprednjem delu vaše baze.

NE uporabljajte nobenih drugih obremenjenih stičnih točk, razen tistih, ki so opisane v navodilih in označene na izboljšanem sistemu za zadrževanje otrok.

NE nadaljujte z uporabo tega izboljšanega sistema za zadrževanje otrok potem, ko je bil udeležen v kakršnem koli trku, četudi manjšem. Takoj zamenjajte, saj je zardi trka lahko prišlo do nevidnih, strukturnih poškodb.

NE nameščajte tega izboljšanega sistema za zadrževanje otrok brez upoštevanja sledečih navodil tega priročnika, saj lahko tako svojega otroka izpostavite resnemu tveganju za poškodbo ali smrt.

NE izvajajte nobenih sprememb na tem izboljšanem sistemu za zadrževanje otrok ali ga uporabite skupaj s sestavnimi deli drugih proizvajalcev.

NE uporabljajte izboljšanega sistema za zadrževanje otrok brez mehkih artiklov.

NE uporabljajte tega izboljšanega sistema za zadrževanje otrok, če je poškodovan ali mu manjkajo deli.

Vaš otrok naj NE bo v večjih/prevelikih oblačilih, saj lahko to onemogoči pravilno in varno pripenjanje vašega otroka z ramenskimi pasovi in mednožnim pasom med nogami.

Tega izboljšane sistema za zadrževanje otrok ali drugih predmetov NE pustite nepripravljenih ali nezavarovanih v vašem vozilu, saj lahko nepripravljeni izboljšani sistem za zadrževanje otrok začne premetavati in lahko v ostrem ovinku, ob nenadni zaustavitvi ali trku, poškoduje potnike.

NE polagajte ničesar drugega, razen priporočenih notranjih blazin v ta izboljšani sistem za zadrževanje otrok.



OPOZORILO

Uporaba sedeža kot gugalnika

Uporaba sedeža kot gugalnika.

Vedno uporabite zadrževalni sistem.

NE UPORABLJAJTE sedeža kot gugalnika, če lahko otrok samostojno sedi.

NE UPORABLJAJTE sedeža, če kateri od sestavnih delov manjka ali je poškodovan.

NE UPORABLJAJTE dodatkov ali drugih nadomestnih delov, ki jih ni odobril proizvajalec.

Uporaba sedeža na dvignjeni površini, npr. mizi, je nevarna.

Otroka NIKOLI ne puščajte brez nadzora.

Sedež ni namenjen daljšemu spanju.

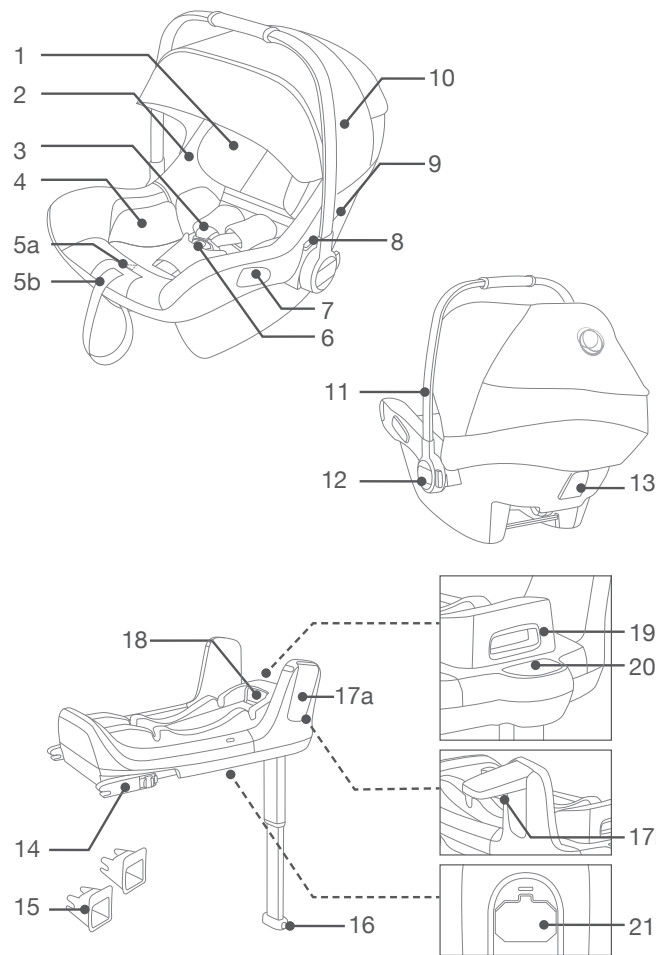
Sedež ni nadomestilo za zibelko ali posteljo. Če otrok potrebuje spanec, ga položite v primerno zibelko ali posteljo.



Seznam delov

Poskrbite, da so vsi deli na voljo pred sestavljanjem. Možno je, da se modul nosila za otroka in baza prodajata ločeno. Če kateri koli del manjka, se obrnite na Bugaboo (za več informacij glejte stran 52). Za sestavljanje ne potrebujete nobenega orodja.

- | | | | |
|----|--------------------------------|-----|--|
| 1 | Opora za glavo | 14 | Pritrdilni element ISOFIX |
| 2 | Blazina za sedež | 15 | Vodila za ISOFIX |
| 3 | Ramenski pasovi | 16 | Gumb za prilagajanje podperne noge |
| 4 | Blazinicica za dojenčka | 17a | Varovalna krila za bočni trk |
| 5a | Gumb za prilagajanje pasov | 17b | Gumb za pospravljanje naslona |
| 5b | Nastavljivi tkani trak | 18 | Gumb za prilagajanje ISOFIX |
| 6 | Varnostna zaponka | 19 | Gumb za sprostitvev modula nosila za otroka |
| 7 | Stranska vodila | 20 | Indikator podperne noge |
| 8 | Gumb za sprostitvev iz vozička | 21 | Predelek za shranjevanje priročnika z navodili |
| 9 | Okvir za strehico | | |
| 10 | Strehica | | |
| 11 | Ročaj | | |
| 12 | Gumb za ročaj | | |
| 13 | Zadnje vodilo | | |



Uporaba izdelka

Glede namestitve

Modul nosila za otroka je primeren za sedeže vozil s pritrdišči i-Size ISOFIX za bazo. (1)

NE uporabljate nazaj obrnjenih sistemov za zadrževanje otrok na sedežnih prostorih, ki so opremljeni z aktivno čelno zračno blazino. Lahko pride do smrti ali resne poškodbe. (2)
Za več informacij si oglejte priročnik za lastnika vozila.

NE nameščajte tega izboljšanega sistema za zadrževanje otrok na sedeže vozila, ki so glede na smer premikanja vozila, usmerjeni bočno ali nazaj. (3)

Priporočljivo je, da ta izboljšani sistem za zadrževanje otrok namestite na zadnji sedež vozila. (4)



NE nameščajte tega izboljšanega sistema za zadrževanje otrok na sedeže vozil, ki se med nameščanjem premikajo.

Prilagajanje ročaja

- 1 Ročaj modula nosila za otroka je mogoče prilagoditi v 3 položaje. (5) Položaj stola za dojenčke. (5)-1
Položaj za polaganje dojenčka v sedež. (5)-2
Položaj za prevoz v avtu, prenašanje v roki ali na vozičku. (5)-3
- 2 Za prilagoditev ročaja pritisnite na gume ročaja na obeh straneh, da ga sprostite. (6)-1

- 3 Ročaj obrnite, dokler se ne zaskoči v enega od 3 položajev. (6)-2

Namestitev z bazo

- 1 Vzemite podporno nogo iz predelka za shranjevanje. (7)
 - 2 Namestite vodila za ISOFIX s pritrdišči ISOFIX. (8) Vodila za ISOFIX lahko zaščitijo površino sedeža vozila pred raztrganjem. Lahko pa tudi služijo kot vodila za pritrtilne elemente ISOFIX.
 - 3 Pritisnite gumb za prilagajanje ISOFIX, da prilagodite pritrtilne elemente ISOFIX. (9)
 - 4 Poravnajte pritrtilne elemente ISOFIX z vodili za ISOFIX ter nato zaskočite pritrtilne elemente ISOFIX v pritrdišča ISOFIX. (10)
-  Prepričajte se, da sta oba pritrtilna elementa ISOFIX varno pritrjena na svoje ustrezno pritrdišče ISOFIX. Zaslisati morate dva klika in barva indikatorjev na obeh pritrtilnih elementih ISOFIX morata biti v celoti zelena. (10)-1
-  Prepričajte se, da je baza varno nameščena tako, da potegneta oba pritrtilna elementa ISOFIX.
- 5 Potem ko položite bazo na sedež vozila, iztegnite podporno nogo na tla (11).
Ko se na indikatorju podporne noge pokaže zelena barva, to pomeni, da je pravilno nameščena, medtem ko rdeča barva pomeni nepravilno namestitev. (11)-2

- ⚠ Podporna noga ima 19 položajev. Kadar je na indikatorju podporne noge prikazana rdeča barva, to pomeni, da je podporna noga v napačnem položaju.
 - ⚠ Prepričajte se, da je podporna noga v popolnem stiku s površino tal vozila.
 - ⚠ Če želite skrajšati podporno nogo, stisnite gumb za sprostitev podporne noge in potegnite nogo navzgor. (11)-1
Popolnoma sestavljena baza je prikazana kot (12).
 - ⚠ Pritrdilni elementi ISOFIX morajo biti pritrjeni in zaklenjeni v pritrdišča ISOFIX. (12)-1
 - ⚠ Podporna noga mora biti pravilno nameščena z zelenim indikatorjem. (12)-2
- 6 Če želite odstraniti bazo, pritisnite najprej sekundarni gumb za blokiranje (13)-1 in nato gumb (13)-2 na pritrdilnih elementih zapaha, preden odstranite bazo iz sedeža vozila.
 - 7 Pritisnite gumb za prilagajanje ISOFIX, da zložite ISOFIX.
 - 8 Modul nosila za otroka potisnite navzdol v bazo (14), in če je izboljšan sistem za zadrževanje otrok varno pritrjen, so zaščitna krila za bočni trk odprta in indikator za izboljšan sistem zadrževanja otrok je obarvan zeleno. (15) Zaščitno krilo za bočni trk, ki je obrnjeno stran od vrat, se lahko zapre, kot prikazano (16), kadar ni v uporabi.

- ⚠ Modul nosila za otroka potegnite navzgor, da se prepričate, da je varno zapahnen v bazo.
- 9 Če želite sprostiti modul nosila za otroka, ga potegnite navzgor, medtem ko stiskate gumb za sprostitev modula nosila za otroka. (17)

Prilagoditev višine

za oporo za glavo in ramenske trakove

Preverite, da so ramenski trakovi nastavljeni na ustrezno višino. Izberite ustrezni par rež za ramenske trakove, glede na višino vašega otroka.

- ⚠ Ramenski trakovi se morajo nahajati najbližje ramenom vašega otroka (18), a ne nad linijo ramen. (19)
- ⚠ Če ramenski trakovi niso na ustrezni višini, lahko v primeru trka otroka vrže iz izboljšanega sistema za zadrževanje otroka.

Potegnite ročici za prilagajanje opore za glavo (20) medtem ko oporo za glavo vlečete navzgor ali potiskate navzdol, dokler se ne zaskoči v enem od 7 položajev. Položaji opore za glavo so, kot prikazano (21).

Pripenjanje otroka

Uporaba blazinice za dojenčka



Potem ko otroka položite v sedež, preverite aliso ramenski pasovi na ustrezni višini.

- 1 Medtem ko pritiskate gumb za prilagajanje pasov, v celoti potegnite oba ramenska pasova izboljšane sistema za zadrževanje otrok. (22)
 - 2 Odklenite zaponko za pas s pritiskom na rdeči gumb. (23)
 - 3 Otroka položite v modul nosila za otroka in zaponko zapnite. (25) Glejte (24).
 - 4 Ramenske pasove zategnite tako, da potegnetenastavljivi tkani trak. (26)
- !** Prepričajte se, da je med otrokom inramenskimi pasovi približno za eno rokoprostora.

Strehica

- 1 Ščitnik potegnite izpod sprednjega loka strehice. (27)
- 2 Potegnite razširljivi pametni senčnik izmed dveh slojev senčnika. (28)
- 3 Pritrdite magnetne na vsak vogal sprednjega dela avtosedeža. (29)
- 4 Odprtino za kukanje na zadnji strani lahko odprete za prezračevanje. (30)
Da pospravite strehico najprej potisnite senčnik nazaj pod sprednji lok strehice in nato pospravite razširljivi pametni senčnik spodaj.

Odstranjevanje in sestavljanje mehkih artiklov

Glejte slike (31)–(40)

Za ponovno sestavljanje mehkih artiklov, obrnite vrstni red prej omenjenih korakov.

Namestitev brez baze

- 1 NE nameščajte modula nosila za otroka na sedeže vozila s trebušnimi pasovi. (41)
- 2 Modul nosila za otroka je primeren samo za sedeže vozil, ki imajo 3-točkovni varnostni pas z navijali (brez baze). (42)
- 3 Modul nosila za otroka položite na sedež vozila, kamor ga želite namestiti. Izvlecite varnostni pas

vozila in ga zapnite v zaponko vozila ter napeljite trebušni pas vozila v stranska vodila modula nosila za otroka. (43)

⚠ Modula nosila za otroka ni mogoče uporabiti, če je zaponka varnostnega pasu vozila (ženski konec zaponke) predolga, da bi varno pritrdil modul nosila za otroka . (43)-1

4 Diagonalni pas napeljite v zadnje vodilo. (44)

5 Potegnite ramenski pas vozila, da tesno in čvrsto zavarujete modul nosila za otroka. (45)

6 Linija ravnine na modulu nosila za otroka mora biti poravnana glede na tla, ko je modul nosila za otroka nameščen. (46)

⚠ Varnostni pas vozila napnite kolikor je le mogoče, ter preverite, da ni preveč ohlapen ali zavit.

⚠ Potem, ko namestite modul nosila za otroka vedno preverite, da so varnostni pasovi vozila napeljani pravilno in trdno zapeti v zaponko vozila. (47)

Namestitev na zračnem plovilu

⚠ Upoštevajte, da varnost otroka glede neupoštevanja navodil namestitve in priročnika z navodili, ni zagotovljena.

⚠ Upoštevajte, da se namestitev modula nosila za otroka na zračnem plovilu razlikuje od namestitve na sedežu avtomobila.

⚠ Upoštevajte, da je 2-točkovni trebušni pas dovoljen samo na zračnem plovilu.

⚠ Upoštevajte, da mora modul nosila za otroka ostati privezan v sedežu zračnega plovila, tudi če je prazen.

⚠ Upoštevajte, da je modul nosila za otroka namenjen samo uporabi na potniških sedežih, ki jih odobri letalska družba.

⚠ Opozorilo, da ne uporabljate modula nosila za otroka v območju sprožitve zračne blazine. (2)

⚠ Upoštevajte, da mora biti nazaj obrnjeni modul nosila za otroka nameščen samo na potniških sedežih, obrnjenih v smeri vožnje. (48)

Kako namestiti modul nosila za otroka s pomočjo varnostnega pasu sedeža zračnega plovila:

1 Modul nosila za otroka namestite na potniški sedež v nasprotni smeri letenja.

2 Poskrbite, da je ročaj za nošenje v najvišjem položaju.

3 Varnostni pas namestite v obe vodili za pas.

4 Varnostni pas zaprite (glejte varnostna navodila letalske družbe).

5 Varnostni pas zategnite tako, da potegnete konec pasu. (49)

⚠ Zaponka varnostnega pasu ne sme nikakor ležati znotraj temno zelenih vodil pasu. (50)

Odstranjevanje: Varnostni pas potniškega sedeža odprite (glejte varnostna navodila letalske družbe). Sedaj lahko odstranite modul nosila za otroka iz potniškega sedeža.

Čiščenje in vzdrževanje

Očistite okvir, plastične dele in tkanino z vlažno krpo, a ne uporabljajte abrazivnih sredstev ali belila. Ne uporabljajte silikonskih maziv, saj ta privlačijo umazanijo.

TS

Da zagotovite dolgotrajno uporabo, obrišite izdelek z mehko, vpojno krpo potem, ko ste ga uporabili v deževnem vremenu.

Glejte oznake za nego, ki so pritrjene na mehke artikle, glede navodila za pranje in sušenje.

Normalno je, da se tkanino obarva zaradi sončnih žarkov in da kaže znake obrabe po daljšem obdobju uporabe, četudi gre za običajno uporabo.

Zaradi varnostnih razlogov uporabite samo originalne dele Bugaboo by Nuna.

Redno preverjajte, če vse pravilno deluje. Če je kateri koli del raztrgan, polomljen ali manjka, ta izdelek neahajte uporabljati.

TS

Tukaj vsebovane informacije se lahko spremenijo brez predhodnega obvestila. Podjetje Bugaboo International BV ni odgovorno za tehnične napake ali pomanjkljivosti v tem dokumentu.

Kupljen izdelek se lahko razlikuje od izdelka, opisanega v tem uporabniškem vodiču. Naše uporabniške vodiče lahko zahtevate pri naših oddelki za storitve ali na www.bugaboo.com.

© 2019 Bugaboo International BV. BUGABOO, BUGABOO CAMELEON, BUGABOO BEE, BUGABOO DONKEY, BUGABOO FOX, BUGABOO TURTLE, BUGABOO ANT, BUGABOO LYNX, BUGABOO STARDUST in logotipi Bugaboo so registrirane znamke. Vozički Bugaboo® so zaščiteni s patentom in modelom.

© NUNA International B.V. Nuna in vsi sorodni logotipi so blagovne znamke.

NB!
HOIDKE KÄESOLEV
JUHEND HILISEMAKS
KASUTAMISEKS ALLES:
LUGEGE
TÄHELEPANELIKULT

Sisukord

Tooteinfo	76
Toote registreerimine	76
Klienditeenindus	76
Lapsega seotud kasutustingimused	77
Koos alusega kasutamine	78
Hoiatused	79
Osade loend	84
Toote kasutamine	86
Puhastamine ja hooldus	94
Magyar (HU)	2
Slovenský (SK)	26
Slovenščina (SL)	50
Eesti keel (ET)	74
Română (RO)	96
Српски (SR)	120
Latviešu valoda (LV)	144
Türk (TR)	168
العربية (AR)	192

Tooteinfo

Mudeli number: _____

Tootmiskuupäev: _____

Toote registreerimine

Palun sisestage ülaltoodud info. Mudeli number ja tootmiskuupäev asuvad Bugaboo Turtle Air by Nuna turvahälli põhjal.

Toote registreerimiseks külastage veebiaadressi:
<https://service.bugaboo.com/ProductRegistrationForm>.

Nuna on selle toote välja arendanud ja tootnud spetsiaalselt, järgides Nuna ja Bugaboo kõrgeid kvaliteedistandardeid. Hoolduse küsimustes ühendust võttes hoidke käepärast ostutšekk, mudeli number ja tootmiskuupäev. Bugaboo vastab teie kõnedele, mis on seotud turvahälliga Bugaboo Turtle Air by Nuna.

Info saamiseks Bugaboo Turtle Air by Nuna turvahälli garantii kohta külastage veebisaiti: www.bugaboo.com/warranty.

Klienditeenindus

Küsimuste tekkimise korral võite leida vastuse meie veebisaidilt www.bugaboo.com. Kui soovite ühendust võtta meie rahvusvahelise teenindusega, oleme alati valmis teid aitama! Vastame meeleldi teie küsimustele, muredele või kommentaaridele, mis on seotud meie toodete ja teenustega. Võtke julgesti meiega ühendust! Teie tagasiside aitab meil meie tooteid ja teenuseid veelgi täiustada.

Valige eelistatud ühenduse võtmise viis:

Telefon, +31-207189531

E-post, service@bugaboo.com

Kontaktivorm: bugaboo.com, www.bugaboo.com/support

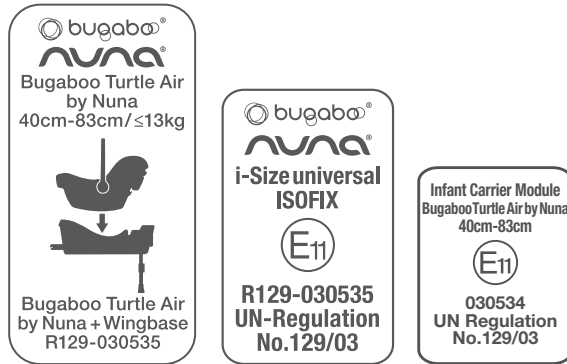
Twitter, @Bugaboo

Lapsega seotud kasutustingimused

See toode sobib kasutamiseks laste puhul, kes vastavad järgmistele tingimustele:

Paigaldusjoonis	Sobivus:
	Lapse pikkus 40 cm – 83 cm/ Lapse kaal ≤ 13 kg (umbes 15-kuune või noorem)
	Lapse pikkus 40 cm – 83 cm/ Lapse kaal ≤ 13 kg Lapse vanus ≤ 15 kuud

Koos alusega kasutamine



- 1 “i-Size” (integreeritud, universaalne, täiustatud ISOFIX-tüüpi lapse turvasüsteem) on täiustatud lapse turvasüsteemi kategooria, mis on eeskätt mõeldud kasutamiseks kõikidel sõiduki i-Size-tüüpi istmetel .
- 2 Vastavalt ÜRO eeskirjale nr 129 on täiustatud lapse turvasüsteem koos alusega universaalne ISOFIX täiustatud lapse turvasüsteem ja seda tohib paigaldada ainult ISOFIX-kinnituste külge.
- 3 Tegu on “i-Size” täiustatud lapse turvasüsteemiga. Vastavalt ÜRO eeskirjale nr 129, on see lubatud kasutamiseks koos i-Size'iga ühilduvate sõidukiistmetega, nagu on märgitud sõiduki tootja poolt sõiduki kasutusjuhendis.

- 4 Tegu on universaalse, turvarihmadega täiustatud lapse turvasüsteemiga. Vastavalt ÜRO eeskirjale nr 129, on see lubatud kasutamiseks eeskätt universaalsetel istmetel, nagu on märgitud sõiduki tootja poolt sõiduki kasutusjuhendis.
- 5 Kahtluste korral pidage nõu täiustatud lapse turvasüsteemi tootja või edasimüüjaga.

! HOIATUS

Järgnevate hoiatuste ja juhiste eiramine võib kaasa tuua tõsiseid vigastusi või surma.

Lapse turvahälli sõiduki külge kinnitavad rihmad peavad olema pingul, nii et tugijalg toetuks vastu sõiduki põrandat, last kinnitavad rihmad tuleb reguleerida vastavalt lapse kehale ning rihmad ei tohi olla keerdus.

Pagas või muud esemed, mis võivad kokkupõrke korral vigastusi tekitada, tuleb kindlalt kinnitada.

Kontrollige, et täiustatud lapse turvasüsteem oleks paigaldatud selliselt, et ükski selle osa ei takista istmete liigutamist või sõiduki uste kasutamist.

Enne turvahälli käes kandmist veenduge, et laps oleks kinnitatud lapse turvarihmadega ja et käepide oleks kindlalt lukustatud vertikaalses asendis.

Hoolduse, remondi või osade vahetamise küsimustes pöörduge edasimüüja poole.

Õige paigaldamine on lubatud ainult ISOFIX-konnektorite abil.

Kontrollige ISOFIX-juhikuid sageli mustuse suhtes ja vajadusel puhastage neid. Sissetunginud mustus, tolm, toiduosakesed jms võib mõjutada töökindlust.

Enne antud täiustatud lapse turvasüsteemi ostmist veenduge, et et seda saab teie sõidukisse nõuetekohaselt paigaldada.

Hoidke ilma tekstiilkatteta täiustatud lapse turvasüsteemi eemal päikesevalgusest, sest see lapse naha jaoks liiga kuum. Enne lapse asetamist täiustatud lapse turvasüsteemi puudutage seda alati sõrmega.

Täiustatud lapse turvasüsteemi kasutamiseks koos ISOFIX -ühendustega vastavalt ÜRO eeskirjale nr 129 peab laps vastama järgmistele nõuetele.

Lapse pikkus 40 cm – 83 cm/Lapse kaal \leq 13 kg (umbes 15-kuune või noorem).

Täiustatud lapse turvasüsteemi kasutamiseks koos sõiduki turvavööga peab laps vastama järgmistele nõuetele.

Lapse pikkus 40 cm – 83 cm.

Lapse kaal \leq 13 kg/Lapse vanus \leq 15 kuud.

Täiustatud lapse turvasüsteemi pehmeid osi ei tohi asendada muudega peale nende, mis on tootja poolt soovitatud, sest pehmed osad moodustavad turvasüsteemi lahutamatu osa.

Väljakukkumise ohu vältimiseks kinnitage laps alati turvarihmadega, kui laps on asetatud turvahälli, isegi kui täiustatud lapse turvasüsteem ei asu sõidukis.

Tõsiste vigastuste või surma vältimiseks ärge KUNAGI asetage turvahälli kõrgemale pinnale, sellal kui laps on turvahälli sees.

Antud täiustatud lapse turvasüsteemi osi ei tohi mingil moel määrada.

Eemaldage lapse turvahäll ja alus sõiduki istmelt, kui seda ei kasutata regulaarselt.

Kinnitage ALATI laps lapse turvasüsteemis, isegi lühikestel sõitudel, kuna just nende käigus toimub enamik avariisid.

Ärge jätke KUNAGI last täiustatud lapse turvasüsteemis järelevalveta.

Ärge kasutage KUNAGI kasutatud täiustatud lapse turvasüsteemi või täiustatud lapse turvasüsteemi, mille ajalugu on teadmata, kuna sellel võib olla struktuuri kahjustusi ja see võib ohustada teie lapse ohutust.

Ärge kasutage KUNAGI nõore või muid asendusvahendeid täiustatud lapse turvasüsteemi kinnitamiseks sõidukisse ega lapse kinnitamiseks täiustatud lapse turvasüsteemi.

ÜKSKI täiustatud lapse turvasüsteem ei paku täielikku kaitset vigastuste või õnnetuste eest. Kuid täiustatud lapse turvasüsteemi nõuetekohane kasutamine vähendab lapse tõsiste vigastuste või surma ohtu.

ÄRGE kasutage täiustatud lapse turvasüsteeme seljaga sõidusuunas istmetel, kus on paigaldatud aktiivne esiturvapadi. See võib kaasa tuua surma või tõsiseid vigastusi. Lisainfot leiate sõiduki kasutusjuhendist.

ÄRGE asetage mis tahes esemeid tugijala piirkonda aluse ette.

ÄRGE kasutage muid koorma tugipunkte peale nende, mis on kirjeldatud käesolevas juhendis ja märgitud täiustatud lapse turvasüsteemile.

ÄRGE kasutage täiustatud lapse turvasüsteemi pärast seda, kui see on läbi teinud avarii või isegi väikese kokkupõrke. Vahetage see kohe välja, sest sellel võib olla avariist tingitud nähtamatuid struktuuri kahjustusi.

ÄRGE paigaldage täiustatud lapse turvasüsteemi ilma käesoleva juhendi juhiseid järgimata, vastasel juhul seate oma lapse tõsisesse ohtu, mis võib põhjustada tõsisid vigastusi või surma.

ÄRGE tehke mingeid modifikatsioone antud täiustatud lapse turvasüsteemil ega kasutage seda koos teiste tootjate komponentidega.

ÄRGE kasutage täiustatud lapse turvasüsteemi ilma pehmete osadeta.

ÄRGE kasutage täiustatud lapse turvasüsteemi, kui see on kahjustatud või sellel on puuduvaid osi.

ÄRGE pange lapsele selga suuri/ülisuuri riideid, sest see võib takistada lapse kindlat kinnitamist õlahmadega ja jalgadevahelise rihmaga.

ÄRGE jätke täiustatud lapse turvasüsteemi ega muid esemeid turvavööga kinnitamata sõidukisse, sest kinnitamata täiustatud lapse turvasüsteem võib eemale paiskuda ja vigastada kaassõitjaid järsus kurvis, äkilise peatumise või kokkupõrke korral.

ÄRGE asetage täiustatud lapse turvasüsteemi sisse muid sisepehmeid peale soovitatute.



HOIATUS

Istme kasutamine allalastud seljatoega hällina

Istme kasutamine allalastud seljatoega hällina.

Kasutage alati kinnitussüsteemi.

ÄRGE kasutage istet allalastud seljatoega hällina, kui teie laps suudab iseseisvalt istuda.

ÄRGE kasutage istet, kui selle mõni osa on purunenud või puudu.

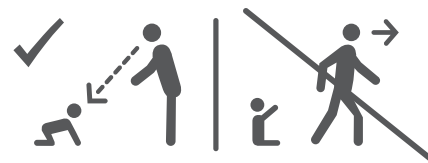
ÄRGE kasutage muid tarvikuid või asendusosi, kui ainult neid, mis on tootja poolt heaks kiidetud.

Selle istme kasutamine kõrgemal pinnal (nt laual) on ohtlik.

ÄRGE jätke last järelevalveta.

See iste ei ole mõeldud pikemaajaliseks magamiseks.

See iste ei asenda võrevoodit ega voodit. Magamiseks tuleb laps panna sobivasse võrevoodisse või voodisse.

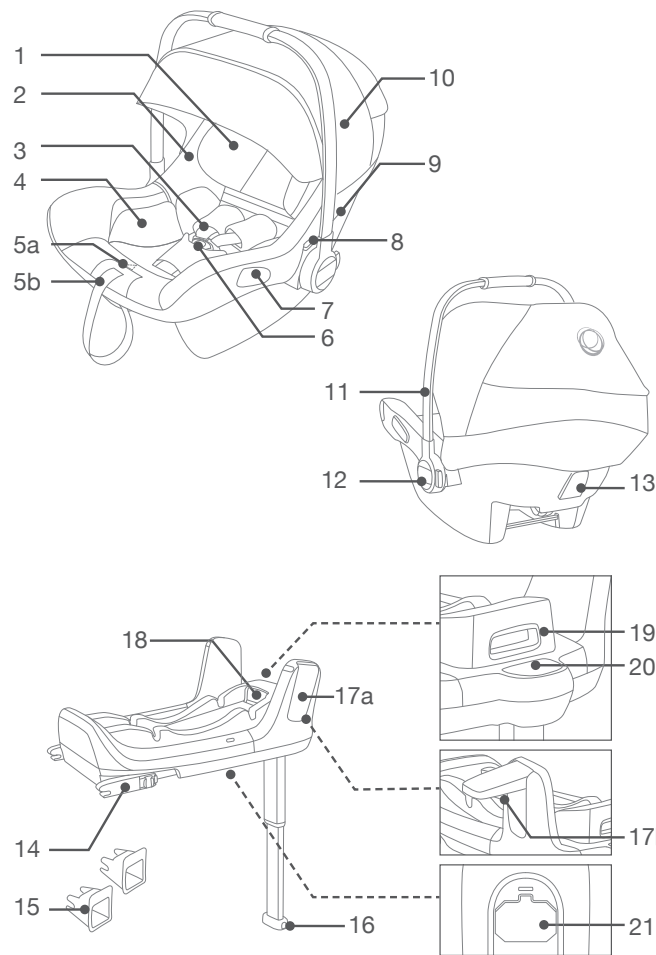


Osade loend

Enne kokkupanemist kontrollige, kas kõik osad on olemas. Lapse turvahälli ja alust võidakse müüa eraldi. Kui mõned osad puuduvad, võtke ühendust ettevõttega Bugaboo (vt infot lk 76). Kokkupanemiseks pole tarvis tööriistu.

ET

- | | | | |
|----|--------------------------|-----|-------------------------------|
| 1 | peatugi | 14 | ISOFIX-konnektor |
| 2 | istmepehmendus | 15 | ISOFIX-juhikud |
| 3 | õlarihmad | 16 | tugijala reguleerimisnupp |
| 4 | imiku sisu | 17a | küljkokkupõrke kaitsed |
| 5a | rihmade reguleerimisnupp | 17b | tiibade tagasipööramise nupp |
| 5b | reguleerimisrihmad | 18 | ISOFIX-reguleerimisnupp |
| 6 | turvapannal | 19 | imiku turvahälli vabastusnupp |
| 7 | külgmised juhikud | 20 | tugijala indikaator |
| 8 | käru vabastusnupp | 21 | kasutusjuhendi hoiukoht |
| 9 | varikatuse kinnitus | | |
| 10 | varikatuse | | |
| 11 | käepide | | |
| 12 | käepideme nupp | | |
| 13 | tagumine juhik | | |



ET

Toote kasutamine

Paigaldamisega seotud märkused

Antud turvahäll sobib kasutamiseks sõiduki istmetel, millel on i-Size ISOFIX-kinnituspunktid koos alusega. (1)

ÄRGE kasutage täiustatud lapse turvasüsteeme seljaga sõidusuunas istmetel, kus on paigaldatud aktiivne esiturvapadi. See võib kaasa tuua surma või tõsiseid vigastusi. (2) Lisainfot leiate sõiduki kasutusjuhendist.

ÄRGE paigaldage seda täiustatud lapse turvasüsteemi sõiduki istmetele, mis asuvad sõiduki liikumissuuna suhtes näoga külgsuunas või tahasuunas. (3)

Täiustatud lapse turvasüsteemi on soovitatav paigaldada sõiduki tagaistmele. (4)

ÄRGE paigaldage täiustatud lapse turvasüsteemi sõiduki istmetele, mis paigaldamise ajal liiguvad.


Käepideme reguleerimine


- 1 Turvahälli käepidet saab reguleerida 3 asendisse. (5) Lapsetooli asend. (5)-1 Asend lapse asetamiseks turvahälli. (5)-2 Autos, käes või lapsekärus transportimise asend. (5)-3
- 2 Käepideme reguleerimiseks pigistage mõlemal küljel olevaid käepideme nappusid, et käepide vabastada. (6)-1

- 3 Keerake käepidet, kuni see fikseerub ühes kolmest asendist. (6)-2


Paigaldamine koos alusega

- 1 Klappige tugijalg hoidikust lahti. (7)
- 2 Paigaldage ISOFIX-juhikud koos ISOFIX-kinnituspunktidega. (8) ISOFIX-juhikud võivad kaitsta sõiduki istet rebenemise eest. Samuti suunavad need ISOFIX-konnektoreid.
- 3 Vajutage ISOFIX-reguleerimisnuppu, et reguleerida ISOFIX-konnektoreid. (9)
- 4 Joondage ISOFIX-konnektorid ISOFIX -juhikutega ja seejärel klõpsake mõlemad ISOFIX-konnektorid ISOFIX-kinnituspunktide sisse. (10)

 Kontrollige, et mõlemad ISOFIX-konnektorid oleks kindlalt kinnitatud ISOFIX-kinnituspunktide külge. Peaks kostma kaks klõpsatust ja indikaatorite värv mõlemal ISOFIX-konnektoril peab olema täielikult roheline. (10)-1

 Kontrollige, kas alus on kindlalt kinnitatud, tõmmates mõlemast ISOFIX-konnektorist.

- 5 Pärast aluse asetamist sõiduki istmele toetage tugijalg põrandale (11). Kui tugijala indikaator on roheline, tähendab see, et jalg on õigesti paigaldatud, punane värv tähendab, et see on valesti paigaldatud. (11)-2

 Tugijalal on 19 asendit. Kui tugijala indikaator on punane, tähendab see, et tugijalt on vales asendis.

- ⚠ Kontrollige, et tugijalg toetub täielikult sõiduki põrandapinnale.
- ⚠ Tugijala lühendamiseks vajutage tugijala vabastusnuppu ja tõmmake tugijalga ülespoole. (11)-1
Täielikult kokkupandud alus on näidatud joonisel (12).
- ⚠ ISOFIX-konnektorid tuleb kinnitada ja lukustada ISOFIX-kinnituspunktide külge. (12)-1
- ⚠ Tugijalg tuleb paigaldada õigesti, vastavalt rohelisele indikaatorile. (12)-2
- 6 Aluse eemaldamiseks vajutage esmalt sekundaarset lukustusnuppu (13)-1 ja seejärel nuppu (13)-2 pandla konnektoritel, seejärel eemaldage alus sõiduki istmelt.
- 7 Vajutage ISOFIX-reguleerimisnuppu, et ISOFIX kokku klappida.
- 8 Lükake turvahäll allasuunas alusele (14), kui täiustatud lapse turvasüsteem on kinnitatud, avanevad külgnokkupõrke kaitsed ja täiustatud lapse turvasüsteemi indikaator on roheline. (15)
Üksteisest kaugemal asuvat külgnokkupõrge kaitset saab sulgeda, nagu näidatud joonisel (16), kui seda ei kasutata.
- ⚠ Tõmmake turvahälli ülespoole, veendumaks et see on kindlalt aluse külge fikseeritud.
- 9 Turvahälli vabastamiseks tõmmake täiustatud lapse turvasüsteemi üles, vajutades samal ajal turvahälli vabastusnuppu. (17)

Kõrguse reguleerimine

peatoe ja õlarihmadel

Kontrollige, et õlarihmad oleks reguleeritud õigele kõrgusele. Valige sobivad õlarihmade avad, vastavalt lapse pikkusele.

- ⚠ Õlarihmad peavad olema lapse õlgadele võimalikult lähedal (18), kuid mitte õlajoonest kõrgemal. (19)
- ⚠ Kui õlarihmad pole õigel kõrgusel, võib laps kokkupõrke korral täiustatud lapse turvasüsteemist välja paiskuda.

Tõmmake peatoe reguleerimishooba (20), tõmmates samal ajal peatuge üles või lükates seda alla, kuni peatugi fikseerub ühes 7 asendist. Peatoe asendid on näidatud joonisel (21).

Lapse kinnitamine

Imiku sisu kasutamine



Pärast lapse istmesse asetamist kontrollige, kas õlarihmad on õigel kõrgusel.

- 1 Vajutades rihmade reguleerimise nuppu, tõmmake täiustatud lapse turvasüsteemi mõlemad õlarihmad täielikult välja. (22)
 - 2 Avage rihmade pannal, vajutades punast nuppu. (23)
 - 3 Asetage laps turvahälli ja lukustage pannal. (25)
Vt joonist (24).
 - 4 Pingutage õlarihmasid, tõmmates reguleerimisrihmast. (26)
- !** Kontrollige, et lapse ja õlarihmade vahele jääks umbes käepaksune vahe.

Varikatus

- 1 Klappige päikesesirm varikatuse eesmise kaare alt välja. (27)
- 2 Tõmmake välja laiendatav 'nutikas sirm' kahe sirmi kihi vahel. (28)
- 3 Kinnitage kummaski nurgas olevad magnetid turvatooli esiosa külge. (29)
- 4 Tagaküljel olevat luuki saab õhutamiseks avada. (30)
Varikatuse kokkuklappimiseks lükake esmalt päikesesirm tagasi varikatuse eesmise kaare alla ja seejärel klappige laiendatav nutikas sirm allapoole kokku.

Pehme osade eemaldamine ja tagasipanemine

vt jooniseid (31)-(40)

Pehme osade tagasipanemiseks tehke eelnimetatud toimingud vastupidises järjekorras.

Paigaldamine ilma aluseta

- 1 ÄRGE paigaldage turvahälli sõiduki istmetele, millel on vöörihmad. (41)
- 2 Antud turvahäll sobib kasutamiseks ainult sõiduki istmetel, millel on 3-punktiline tõmburiga turvavöö (ilma aluseta). (42)

- 3 Asetage turvahäll sõiduki istmele, kuhu soovite seda paigutada. Tõmmake sõiduki turvavöö välja ja lukustage see sõiduki pandlasse, libistades sõiduki vöörihma läbi turvahälli külgmiste juhikute. (43)
- ⚠ Turvahälli ei tohi kasutada, kui sõiduki turvavööpannal (turvavöö lukustus) on liiga pikk, et turvahälli kindlalt lukustada. (43)-1
- 4 Libistage põikivöö tagumisse juhikusse. (44)
- 5 Tõmmake sõiduki õlarihma, et kinnitada turvahäll tugevalt ja kindlalt. (45)
- 6 Turvahälli loodimisjoon peab olema maapinnaga paralleelne, kui turvahäll on paigaldatud. (46)
- ⚠ Pingutage sõiduki turvavööd nii palju kui võimalik, kontrollides et see pole lõtv ega keerduis.
- ⚠ Pärast turvahälli paigaldamist kontrollige alati, et sõiduki rihmad on paigutatud õigesti ja on kindlalt kinnitatud sõiduki turvavöö lukku. (47)

Paigaldamine lennukis

- ⚠ Pange tähele, et paigaldus- ja kasutusjuhiste mittejärgimise korral pole lapse ohutus tagatud.
- ⚠ Pange tähele, et turvahälli paigaldamine lennukis erineb paigaldamisest sõiduki istmele.
- ⚠ Pange tähele, et 2-punktilise vöörihmaga kinnitamine on lubatud ainult lennukis.

- ⚠ Pange tähele, et turvahäll peab olema lennukis turvavööga kinnitatud, isegi kui turvahäll on tühi.
- ⚠ Pange tähele, et turvahälli tohib kasutada lennukis ainult lennufirma poolt lubatud istmetel.
- ⚠ Hoiatus: mitte kasutada turvahälli turvapadja avanemise piirkonnas. (2)
- ⚠ Pange tähele, et turvahälli tohib paigaldada seljaga sõidusuunas ainult istmetele, mis on suunatud näoga sõidusuunas. (48)

Kuidas paigaldada turvahälli lennukiistme turvavöö abil:

- 1 Asetage turvahäll istmele seljaga lennu suunas.
 - 2 Kontrollige, et kandekäepide oleks kõige ülemises asendis.
 - 3 Asetage turvavöö kahele vööjuhikule.
 - 4 Sulgege turvavöö (vt lennufirma ohutusjuhiseid).
 - 5 Pingutage turvavöö, tõmmates vöö otsast. (49)
- ⚠ Turvavöö lukk ei tohi mingil juhul asuda tumerohelistes juhikutes. (50)

Eemaldamine Avage istme turvavöö (vt lennufirma ohutusjuhiseid). Nüüd saate turvahälli istmelt eemaldada.

Puhastamine ja hooldus

Puhastage raam, plastikosad ja riie niiske lapiga, kuid ärge kasutage abrasiivseid puhastusvahendeid ega pleegitusained. Ärge kasutage silikoonmäärdeid, kuna nende külge kleepub mustus ja tahm.

Pikaajalise kasutamise tagamiseks pühkige toode pärast vihmase ilmaga kasutamist üle pehme, imava lapiga.

Pehmete osade pesemis- ja kuivatusjuhiseid vaadake nende osade külge kinnitatud siltidelt.

See on normaalne, et kangas pleegib päikese käes ning et sellel ilmnevad pikema kasutusperioodi järel kulumise märgid, isegi kui turvahälli kasutatakse tavapäraselt.

Ohutuse tagamiseks kasutage ainult Bugaboo by Nuna originaalosi.

Kontrollige regulaarselt, kas kõik töötab laitmatult. Kui mõned osad on kulunud, purunenud või puudu, lõpetage toote kasutamine.

Käesolevas juhendis sisalduvat teavet võidakse ette teatamata muuta. Bugaboo International BV ei vastuta võimalike juhendis esinevate vigade või puuduste eest. Ostetud toode võib erineda käesoleva juhendi kirjeldustest. Meie uusimaid kasutusjuhendeid saab tellida meie klienditeenindustest või veebisaidilt www.bugaboo.com.

© 2019 Bugaboo International BV. BUGABOO, BUGABOO CAMELEON, BUGABOO BEE, BUGABOO DONKEY, BUGABOO FOX, BUGABOO TURTLE, BUGABOO ANT, BUGABOO LYNX, BUGABOO STARDUST ja Bugaboo logod on registreeritud kaubamärgid. Bugaboo® lapsekärud on patenteeritud ja nende disain kaitstud autoriõigustega.

© NUNA International B.V. Nuna ja kõik sellega seotud logod on kaubamärgid.

**IMPORTANT!
PĂSTRAȚI ACESTE
INSTRUCȚIUNI
PENTRU CONSULTARE
ULTERIOARĂ:
CITIȚI CU ATENȚIE**

Cuprins

Informații referitoare la produs	98
Înregistrarea produsului	98
Servicii pentru clienți	98
Condiții pentru utilizarea de către copii	99
A se utiliza împreună cu baza	100
Avertismente	102
Lista componentelor	108
Utilizarea produsului	110
Curățarea și întreținerea	118

Magyar (HU)	2
Slovenský (SK)	26
Slovenščina (SL)	50
Eesti keel (ET)	74
Română (RO)	96
Српски (SR)	120
Latviešu valoda (LV)	144
Türk (TR)	168
العربية (AR)	192

Informații referitoare la produs

Număr model: _____

Fabricat în (data): _____

Înregistrarea produsului

Completați informațiile de mai sus. Numărul modelului și data fabricației sunt specificate în partea de jos a Bugaboo Turtle Air by Nuna.

Pentru a vă înregistra produsul, vă rugăm să accesați:
<https://service.bugaboo.com/ProductRegistrationForm>.

Nuna a conceput și a fabricat special acest produs în conformitate cu standardele de calitate înalte Nuna și Bugaboo. Vă rugăm să aveți pregătite dovada achiziției, numărul modelului și data fabricației atunci când ne contactați pentru service. Bugaboo va prelua apelul dumneavoastră legat de Bugaboo Turtle Air by Nuna.

Pentru informații referitoare la garanție pentru acest produs Bugaboo Turtle by Nuna, vizitați: www.bugaboo.com/warranty.

Servicii pentru clienți

Dacă aveți o întrebare, este posibil să găsiți răspunsul pe site-ul nostru web, www.bugaboo.com. Dacă trebuie să contactați echipa noastră internațională de service, ne face plăcere să luăm legătura cu dvs! Vă stăm la dispoziție pentru orice întrebări, preocupări sau comentarii ați avea despre produsele și serviciile noastre. Nu ezitați să ne contactați. Feedbackul dumneavoastră ne ajută să ne îmbunătățim produsele și serviciile.

Alegeți metoda preferată prin care să vă contactăm:

Telefon, +31-207189531

E-mail, service@bugaboo.com

Formular de contract prin bugaboo.com,
www.bugaboo.com/support

Twitter @Bugaboo

Condiții pentru utilizarea de către copii

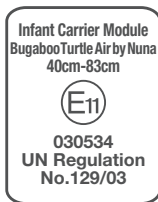
Acest produs este adecvat pentru utilizarea de către copiii care îndeplinesc următoarele condiții:

Imagine pentru montare	Adecvat pentru
	Înălțimea copilului 40 cm-83 cm/ Greutatea copilului ≤13 kg (cu o vârstă de aproximativ 15 luni sau mai puțin)
	Înălțimea copilului 40 cm-83 cm Greutatea copilului ≤13 kg Vârsta copilului ≤15 luni

RO

RO

A se utiliza împreună cu baza



- 1 „i-Size” (Sistem de siguranță universal integral ISOFIX îmbunătățit pentru copii) este o categorie de sisteme îmbunătățite de siguranță pentru copii concepute în special pentru utilizarea în toate pozițiile de ședere i-Size dintr-un autovehicul.
- 2 În conformitate cu Regulamentul ONU nr. 129, sistemul îmbunătățit de siguranță pentru copii cu bază este un sistem universal de siguranță ISOFIX pentru copii și trebuie montat cu ajutorul legăturilor ISOFIX.

- 3 Acesta este un sistem îmbunătățit de siguranță pentru copii „i-Size”. Este aprobat prin Regulamentul ONU nr. 129 pentru utilizarea în pozițiile de ședere în autovehiculele compatibile i-Size, conform indicațiilor producătorului autovehiculului din manualul de utilizare al autovehiculului.
- 4 Acesta este un sistem de siguranță pentru copii universal îmbunătățit, cu curea. Este aprobat prin Regulamentul ONU nr. 129 pentru utilizarea în principal în pozițiile de ședere universale, conform indicațiilor producătorului autovehiculului din manualul de utilizare al autovehiculului.
- 5 În caz de neclarități, consultați producătorul sau distribuitorul sistemului îmbunătățit de siguranță pentru copii.

AVERTISMENT

Nerespectarea acestor avertismente și instrucțiuni ar putea să ducă la accidentarea gravă sau la deces.

Orice curele care fixează de vehicul modulul scaunului pentru sugari trebuie să fie strânse, orice picior de sprijin trebuie să fie în contact cu podeaua autovehiculului, orice curele care asigură copilul trebuie să fie ajustate în funcție de corpul acestuia și nu trebuie să fie răsucite.

Orice bagaje sau alte obiecte care pot să cauzeze răniri în cazul unei coliziuni trebuie să fie fixate în mod adecvat.

Asigurați-vă că sistemul îmbunătățit de siguranță pentru copii este montat astfel încât nicio parte a acestuia să nu interfereze cu scaunele mobile sau cu funcționarea ușilor autovehiculului.

Înainte de a transporta manual modulul scaunului pentru sugari, asigurați-vă că acesta este asigurat cu hamul de siguranță și că mânerul este blocat corect în poziție verticală.

Adresați-vă distribuitorului pentru probleme legate de întreținere, reparații și schimbarea pieselor.

Montarea corectă este permisă doar prin utilizarea conectorilor ISOFIX.

Verificați frecvent dacă ghidajele ISOFIX sunt murdare și curățați-le, dacă este necesar. Fiabilitatea poate fi influențată de pătrunderea murdăriei, a prafului, a particulelor de alimente etc.

Verificați înainte de a cumpăra acest sistem îmbunătățit de siguranță pentru copii pentru a vă asigura că poate să fie montat în mod adecvat în autovehiculul dumneavoastră.

Păstrați acest sistem îmbunătățit de siguranță pentru copii, care nu are o protecție textilă, protejat de lumina soarelui, în caz contrar acesta poate fi prea fierbinte pentru pielea copilului. Verificați întotdeauna prin atingere sistemul îmbunătățit de siguranță pentru copii înainte de a așeza copilul în acesta.

Pentru a utiliza acest sistem îmbunătățit de siguranță pentru copii cu legăturile ISOFIX în conformitate cu Regulamentul ONU 129, copilul dumneavoastră trebuie să îndeplinească următoarele condiții:

Înălțimea copilului 40 cm-83 cm/
Greutatea copilului ≤ 13 kg (cu o vârstă de aproximativ 15 luni sau mai puțin).

Pentru a utiliza acest modul al scaunului pentru sugari împreună cu centura de siguranță a autovehiculului, copilul dumneavoastră trebuie să îndeplinească următoarele condiții:

Înălțimea copilului 40 cm - 83 cm.

Greutatea copilului ≤ 13 kg/Vârsta copilului ≤ 15 luni.

Părțile textile ale sistemului îmbunătățit de siguranță pentru copii nu trebuie să fie înlocuite cu alte produse decât cele recomandate de producător, deoarece contribuie la performanța generală de protecție.

Pentru a evita riscul de cădere, asigurați întotdeauna copilul cu ajutorul hamului de siguranță, atunci când copilul este așezat în modulul scaunului pentru sugari, chiar dacă sistemul îmbunătățit de siguranță pentru copii nu este în autovehicul.

Pentru a evita o accidentare gravă sau decesul, nu așezați NICIODATĂ modulul scaunului pentru sugari pe un scaun supraînălțat, cu copilul în el.

Piese sistemului îmbunătățit de siguranță pentru copii nu trebuie să fie lubrifiate în niciun fel.

Eliminați acest modul al scaunului pentru sugari și baza de pe scaunul autovehiculului, dacă nu este folosit în mod regulat.

ÎNTOTDEAUNA asigurați copilul în sistemul îmbunătățit de siguranță pentru copii, chiar și pentru călătoriile scurte, deoarece acesta este momentul în care au loc cele mai multe accidente.

Nu lăsați NICIODATĂ copilul nesupravegheat în acest sistem îmbunătățit de siguranță pentru copii.

Nu utilizați NICIODATĂ un sistem îmbunătățit de siguranță pentru copii second-hand sau al cărui istoric nu îl cunoașteți, pentru că acesta poate prezenta deteriorări structurale care pot să pună în pericol siguranța copilului.

Nu utilizați NICIODATĂ sfori sau alte articole asemănătoare pentru a asigura sistemul îmbunătățit de siguranță pentru copii în autovehicul sau pentru a asigura copilul în sistemul îmbunătățit de siguranță pentru copii.

NICIUN sistem îmbunătățit de siguranță pentru copii nu poate să garanteze o protecție absolută față de rănirea în caz de accident. Totuși, utilizarea corectă a acestui sistem îmbunătățit de siguranță pentru copii va reduce riscul de vătămare gravă sau de deces al copilului.

NU folosiți niciodată sistemele îmbunătățite de siguranță pentru copii îndreptate spre spate în poziții de ședere în care este instalat un airbag frontal activ. Este posibil să provoace vătămare gravă sau decesul. Pentru mai multe informații, consultați manualul de utilizare al autovehiculului.

NU așezați obiecte în zona piciorului de sprijin din fața bazei.

NU utilizați alte puncte de contact portante decât cele descrise în instrucțiuni și marcate pe sistemul îmbunătățit de siguranță pentru copii.

NU continuați să folosiți acest sistem îmbunătățit de siguranță pentru copii după ce a suferit orice tip de impact, chiar și unul minor. Înlocuiți-l imediat, deoarece este posibil să existe deteriorări invizibile, structurale, cauzate de impact.

NU montați acest sistem îmbunătățit de siguranță pentru copii fără să respectați instrucțiunile din acest manual, în caz contrar vă supuneți copilul unui risc serios de rănire sau deces.

NU efectuați nicio modificare a acestui sistem îmbunătățit de siguranță pentru copii și nu-l utilizați cu piese componente ale altor producători.

NU utilizați acest sistem îmbunătățit de siguranță pentru copii fără componentele textile.

NU utilizați acest sistem îmbunătățit de siguranță pentru copii dacă are piese deteriorate sau lipsă.

NU îmbrăcați copilul în haine largi/supradimensionate, deoarece acest lucru poate împiedica fixarea corectă și sigură a copilului cu ajutorul centurilor în diagonală și al centurii petrecute printre coapse.

NU lăsați acest sistem îmbunătățit de siguranță pentru copii sau alte articole fără centuri sau nefixate în autovehicul deoarece un sistem îmbunătățit de siguranță pentru copii poate să fie aruncat și este posibil să rănească ocupanții în cazul unei curbe bruște, al unei opriri bruște sau al unui accident.

NU așezați nimic altceva decât pernele interioare recomandate în acest sistem îmbunătățit de siguranță pentru copii.



AVERTISMENT

Utilizarea scaunului ca balansoar

Utilizarea scaunului ca balansoar.

Utilizați întotdeauna sistemul de siguranță.

NU utilizați scaunul ca balansoar după ce copilul poate să stea singur în șezut.

NU utilizați scaunul dacă există componente deteriorate sau lipsă.

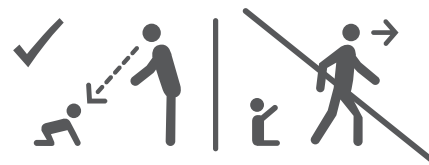
NU utilizați alte accesorii sau piese de schimb decât cele aprobate de către producător.

Este periculos să utilizați acest scaun pe o suprafață înălțată, de exemplu, o masă.

Nu lăsați NICIODATĂ copilul nesupravegheat.

Acest scaun nu a fost conceput pentru a fi utilizat în timpul somnului pe perioade lungi.

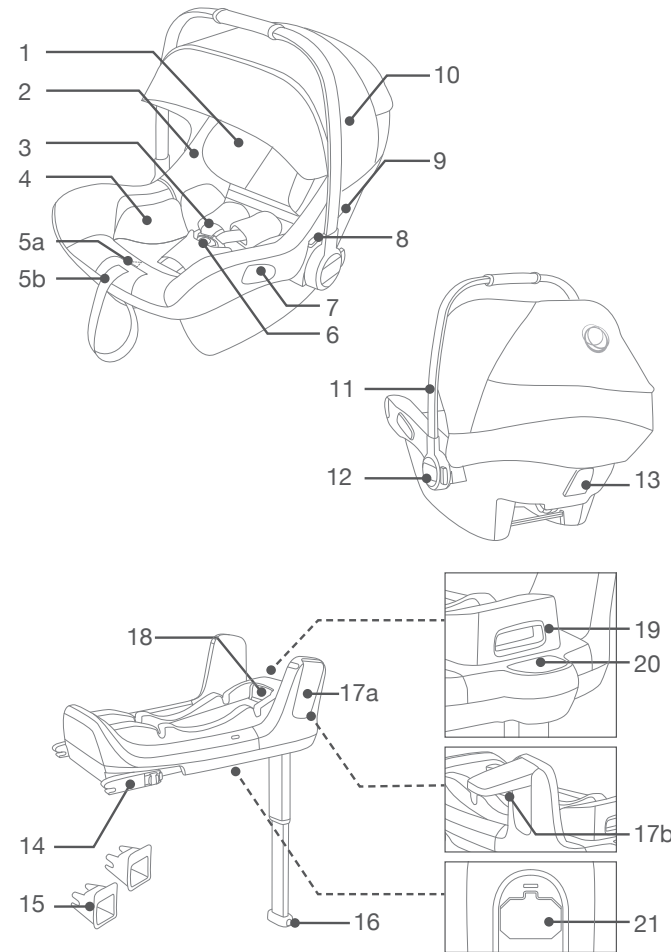
Acest scaun nu înlocuiește un pătuț sau un pat pentru copil. În cazul în care copilul trebuie să doarmă, acesta trebuie să fie așezat într-un pătuț pentru copii sau într-un pat adecvat.



Lista componentelor

Înainte de asamblare, asigurați-vă că toate piesele sunt disponibile. Modulul scaunului pentru sugari și baza pot să fie vândute separat. Dacă o piesă lipsește, contactați Bugaboo (pentru informații, consultați pagina 98). Pentru asamblare nu sunt necesare alte scule.

- | | | | |
|----|-----------------------------------|-----|---|
| 1 | Suport pentru cap | 13 | Ghidaj posterior |
| 2 | Căptușeală a scaunului | 14 | Conector ISOFIX |
| 3 | Centuri ham în diagonală | 15 | Ghidaje ISOFIX |
| 4 | Insertie pentru sugari | 16 | Buton de reglare pentru piciorul de sprijin |
| 5a | Buton de reglare a hamului | 17a | Aripioare de protecție la impactul lateral |
| 5b | Curea de reglare | 17b | Buton de rabatare a aripii |
| 6 | Cataramă de siguranță | 18 | Buton pentru reglare ISOFIX |
| 7 | Ghidaje laterale | 19 | Buton de eliberare a modulului scaunului pentru sugari |
| 8 | Buton de eliberare a căruciorului | 20 | Indicator al piciorului de sprijin |
| 9 | Suport pentru copertină | 21 | Compartimentul de depozitare a manualului de instrucțiuni |
| 10 | Copertină | | |
| 11 | Mâner | | |
| 12 | Buton al mânerului | | |



Utilizarea produsului

Aspecte privind montarea

Acest modul al scaunului pentru sugari este adecvat pentru scaunele auto cu puncte de ancorare ISOFIX i-Size cu bază. (1)

NU folosiți niciodată sistemele îmbunătățite de siguranță pentru copii îndreptate spre spate în poziții de ședere în care este instalat un airbag frontal activ. Este posibil să provoace vătămarea gravă sau decesul. (2)

Pentru mai multe informații, consultați manualul de utilizare al autovehiculului.

NU instalați acest sistem îmbunătățit de siguranță pentru copii pe scaunele auto orientate lateral sau în spate față de direcția de deplasare a autovehiculului. (3)

Se recomandă să montați acest sistem îmbunătățit de siguranță pentru copii pe scaunul din spate al autovehiculului. (4)

NU montați acest sistem îmbunătățit de siguranță pentru copii pe scaunele autovehiculului care sunt instabile în timpul montării.



Reglarea mânerului

- 1 Mânerul modulului scaunului pentru sugari poate să fie ajustat în 3 poziții. (5)
Poziția scaunului pentru copil. (5)-1
Poziția pentru așezarea copilului pe scaun. (5)-2

Poziția pentru mașină, transportul manual sau în cărucior. (5)-3

- 2 Pentru a regla poziția mânerului, apăsați butoanele mânerului de pe ambele părți pentru a-l elibera. (6)-1
- 3 Rotiți mânerul până când se fixează cu un clic în oricare dintre cele 3 poziții. (6)-2

Montarea cu baza

- 1 Desfaceți piciorul de sprijin din compartimentul de depozitare. (7)
 - 2 Montați ghidajele ISOFIX cu punctele de ancorare ISOFIX. (8) Ghidajele ISOFIX pot să protejeze suprafața scaunului autovehiculului împotriva rupturilor. De asemenea, pot să ghideze conectorii ISOFIX.
 - 3 Apăsați pe butonul de reglare ISOFIX pentru a regla conectorii ISOFIX. (9)
 - 4 Aliniați conectorii ISOFIX cu ghidajele ISOFIX și apoi faceți clic pe ambii conectori ISOFIX în punctele de ancorare ISOFIX. (10)
-  Asigurați-vă că ambii conectori ISOFIX sunt fixați în siguranță în punctele lor de ancorare ISOFIX. Trebuie să se audă două clicuri, iar culorile indicatorilor de pe ambii conectori ISOFIX trebuie să fie complet verzi. (10)-1
-  Verificați pentru a vă asigura că baza este montată corect trăgând de ambii conectori ISOFIX.

- 5 După așezarea bazei pe scaunul autovehiculului, extindeți piciorul de sprijin pe podea (11). Dacă indicatorul pentru piciorul de sarcină este verde, înseamnă că este montat corect, roșu înseamnă că acesta este montat incorect. (11)-2
- ⚠️ Piciorul de sprijin are 19 poziții. Dacă indicatorul pentru piciorul de sprijin este roșu, înseamnă că piciorul de sprijin este în poziția greșită.
- ⚠️ Asigurați-vă că piciorul de sprijin intră complet în contact cu podeaua vehiculului.
- ⚠️ Pentru a scurta piciorul de sprijin, apăsați pe butonul de eliberare al piciorului de sprijin și trageți piciorul de sprijin în sus. (11)-1
Baza complet asamblată este indicată ca (12).
- ⚠️ Conectorii ISOFIX trebuie să fie atașați și blocați în punctele de ancorare ISOFIX. (12)-1
- ⚠️ Piciorul de sprijin trebuie să fie montat corect, cu indicatorul verde. (12)-2
- 6 Pentru a scoate baza, apăsați mai întâi pe butonul secundar de eliberare (13)-1 și apoi pe butonul (13)-2 de pe conectorii de blocare înainte de a scoate baza din scaunul autovehiculului.
- 7 Apăsați pe butonul de reglare ISOFIX pentru a rabata ISOFIX.
- 8 Împingeți modulul scaunului pentru sugari în bază (14), dacă sistemul îmbunătățit de siguranță pentru copii este fixat, aripioarele de protecție la impactul lateral vor fi deschise și indicatorul sistemului îmbunătățit de siguranță pentru copii va fi verde.

(15) Aripioara de protecție la impactul lateral care este mai departe de ușă poate să fie închisă, așa cum este indicat în (16) atunci când nu este folosită.

- ⚠️ Trageți de modulul scaunului pentru sugari în sus, pentru a vă asigura că este bine atașat de bază.
- 9 Pentru a scoate modulul scaunului pentru sugari, trageți sistemul îmbunătățit de siguranță pentru copii în sus, în timp ce apăsați butonul de eliberare al modulului scaunului pentru sugari. (17)

Reglarea înălțimii

suportului pentru cap și hamului pentru umeri

Verificați fixarea curelelor hamului pentru umeri la înălțimea adecvată. Alegeți perechea potrivită de fante ale hamului pentru umeri, în funcție de înălțimea copilului.

- ⚠️ Curelele hamului pentru umeri trebuie să fie cât mai aproape de umerii copilului (18), dar nu deasupra liniei acestora. (19)
- ⚠️ În cazul în care curelele hamului pentru umeri nu sunt reglate la înălțimea corectă, copilul ar putea să fie aruncat din sistemul îmbunătățit de siguranță pentru copii în cazul unui accident.

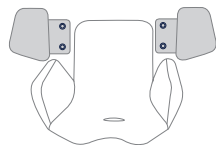
Trageți mânerul de reglare al suportului pentru cap (20), în timp ce trageți în sus sau împingeți în jos suportul pentru cap, până când se fixează în una dintre cele 7 poziții. Pozițiile suportului pentru cap sunt indicate ca (21).

Asigurarea copilului

Utilizarea inserției pentru sugari



Vă recomandăm să folosiți inserția completă pentru sugari atâta timp cât sugarul are mai puțin de 60 cm sau până când acesta depășește inserția. Inserția pentru sugari crește protecția în caz de impact lateral.



Scoateți aripile laterale ale inserției pentru sugari atunci când umerii copilului nu mai încap confortabil.

După ce copilul este așezat pe scaun, verificați înălțimea corectă a curelelor hamului pentru umeri.

- 1 În timp ce apăsați butonul de reglare al hamului, trageți complet cele două curele ale hamului pentru umeri ale sistemului îmbunătățit de siguranță pentru copii. (22)
 - 2 Deblocați catarama hamului apăsând pe butonul roșu. (23)
 - 3 Așezați copilul în modulul scaunului pentru sugari și blocați catarama. (25) Consultați (24).
 - 4 Strângeți curelele hamului pentru umeri trăgând de cureaua de reglare. (26)
- !** Asigurați-vă că spațiul dintre copil și curelele hamului pentru umeri are aproximativ grosimea unei mâini.

Copertina

- 1 Întoarceți spre exterior vizorul de sub arcul frontal al copertinei. (27)
- 2 Trageți vizorul inteligent extensibil dintre cele două straturi ale vizorului. (28)
- 3 Atașați magneții pe fiecare colț spre partea din față a scaunului de mașină. (29)
- 4 Vizorul posterior poate să fie deschis pentru ventilație. (30)
Pentru a rabata înapoi copertina, mai întâi strângeți la loc vizorul de sub arcul frontal al copertinei și apoi strângeți vizorul inteligent extensibil de dedesubt.

Demontarea și montarea părților textile

consultați imaginile (31)-(40)

Pentru a monta la loc părțile moi, efectuați pașii de mai sus în ordine inversă.

Montarea fără bază

- 1 NU montați acest modul al scaunului pentru sugari pe scaunele de autovehicul cu centuri abdominale. (41)
- 2 Acest modul al scaunului pentru sugari este adecvat numai pentru scaunele de autovehicul cu centură de siguranță cu retragere în 3 puncte (fără bază). (42)

- 3** Așezați modulul scaunului pentru sugari pe scaunul de mașină pe care doriți să îl puneți. Trageți centura de siguranță a autovehiculului și fixați-o în catarama autovehiculului, trecând centura abdominală a autovehiculului prin ghidajele laterale ale modulului scaunului pentru sugari. (43)
- !** Modulul scaunului pentru sugari nu poate să fie utilizat dacă o cataramă a centurii de siguranță a autovehiculului (capătul mamă al cataramei) este prea lungă pentru ancorarea sigură a modulului scaunului pentru sugari. (43)-1
- 4** Treceți centura diagonală prin ghidajul posterior. (44)
- 5** Trageți centura diagonală a autovehiculului pentru a fixa strâns și sigur modulul scaunului pentru sugari. (45)
- 6** Linia de nivel a modulului scaunului pentru sugari trebuie să fie la nivelul solului când se montează modulul al scaunului pentru sugari. (46)
- !** Strângeți centura de siguranță a autovehiculului cât mai mult posibil, verificând ca aceasta să nu fie slăbită sau răsucită.
- !** După montarea modulului scaunului pentru sugari, verificați întotdeauna ca centurile autovehiculului să fie orientate corect și bine fixate în catarama vehiculului. (47)

Instalarea în avion

- !** Rețineți că siguranța copilului nu este garantată în cazul nerespectării manualului de montare și de utilizare.
- !** Rețineți că montarea modulului scaunului pentru sugari pe un scaun de avion diferă de montarea pe un scaun de mașină.
- !** Rețineți că fixarea cu centura abdominală în 2 puncte este permisă numai în aeronave.
- !** Rețineți că modulul scaunului pentru sugari trebuie să rămână fixat cu centura pe scaunul de avion chiar și atunci când nu este ocupat.
- !** Rețineți că modulul scaunului pentru sugari este destinat exclusiv unui scaun pentru pasageri autorizat de către compania aeriană.
- !** Avertisment: nu utilizați modulul scaunului pentru sugari în zona de deschidere a airbagului. (2)
- !** Rețineți că modulul scaunului pentru sugari orientat spre spate trebuie să fie montat numai pe scaunele de pasageri orientate în față. (48)

Cum să montați modulul scaunului pentru sugari folosind centura de siguranță a scaunului din avion:

- 1** Așezați modulul scaunului pentru sugari orientat în sens opus direcției de zbor pe scaunul pasagerului.
- 2** Asigurați-vă că mânerul de transport este în poziția cea mai de sus.

- 3 Așezați centura de siguranță în ambele ghidaje ale centurii.
 - 4 Închideți centura de siguranță (consultați instrucțiunile de siguranță ale companiei aeriene).
 - 5 Strângeți centura de siguranță trăgând capătul centurii. (49)
- ⚠** Catarama centurii de siguranță nu trebuie în niciun caz să se afle în ghidajele centurii de culoare verde închis. (50)

Demontarea: Deschideți centura de siguranță a scaunului pentru pasageri (consultați instrucțiunile de siguranță ale companiei aeriene). Acum puteți să luați modulul scaunului pentru sugari din scaunul pentru pasageri.

Curățarea și întreținerea

Curățați cadrul, componentele din plastic și țesătura cu o cârpă umedă, dar nu utilizați materiale abrazive sau înălbitor. Nu utilizați lubrifianți pe bază de silicon, deoarece aceștia vor atrage murdăria și praful.

Pentru a asigura o utilizare de lungă durată, ștergeți produsul cu o cârpă moale absorbantă după ce l-ați folosit în ploaie.

Pentru instrucțiunile de spălare și uscare, consultați etichetele privind întreținerea atașate materialelor textile.

Este normal ca țesătura să se decoloreze de la lumina soarelui și să prezinte uzură după o perioadă îndelungată de utilizare, chiar și atunci când este utilizată în mod normal.

Din motive de siguranță, folosiți doar piese Bugaboo by Nuna originale.

Verificați regulat dacă totul funcționează corespunzător. Dacă unele componente sunt rupte, sparte sau lipsă, întrerupeți utilizarea acestui produs.

Informațiile conținute în acest document pot să fie modificate fără notificare. Bugaboo International BV nu este răspunzătoare pentru erorile tehnice sau omisiunile din acest document. Produsul achiziționat poate să difere de produsul descris în acest ghid al utilizatorului. Cele mai noi manuale de utilizare pot să fie solicitate de la departamentele noastre de service sau pe www.bugaboo.com. © 2019 Bugaboo International BV. BUGABOO, BUGABOO CAMELEON, BUGABOO BEE, BUGABOO DONKEY, BUGABOO FOX, BUGABOO TURTLE, BUGABOO ANT, BUGABOO LYNX, BUGABOO STARDUST și siglele Bugaboo sunt mărci comerciale înregistrate. Cărucioarele Bugaboo® sunt brevetate și cu design protejat. © NUNA International B.V. Nuna și toate siglele asociate sunt mărci comerciale.

**VAŽNO! ČUVAJTE
OVO UPUTSTVO
RADI KASNIJEG
PODSEĆANJA:
PAŽLJIVO PROČITAJTE**

Sadržaj

Informacije o proizvodu	122
Registracija proizvoda	122
Korisnički servis	122
Uslovi za upotrebu sa decom	123
Za upotrebu sa bazom	124
Upozorenja	126
Lista delova	132
Upotreba proizvoda	134
Čišćenje i održavanje	142

Magyar (HU)	2
Slovenský (SK)	26
Slovenščina (SL)	50
Eesti keel (ET)	74
Română (RO)	96
Српски (SR)	120
Latviešu valoda (LV)	144
Türk (TR)	168
العربية (AR)	192

Informacije o proizvodu

Broj modela: _____

Proizvedeno u (datum): _____

Registracija proizvoda

Popunite gornje informacije. Broj modela i datum proizvodnje nalaze se na dnu Bugaboo Turtle Air by Nuna.

Da biste registrovali vaš proizvod, posetite:
<https://service.bugaboo.com/ProductRegistrationForm>.

Kompanija Nuna je namenski razvila i proizvela ovaj proizvod kako bi zadovoljila visoke standarde Nune i Bugabooa. Kada nas budete kontaktirali zbog servisa, imajte kod sebe dokaz o kupovini, broj modela i datum proizvodnje. Bugaboo će primiti vaš poziv u vezi sa Bugaboo Turtle Air by Nuna.

Za informacije o garanciji za ovaj Bugaboo Turtle Air by Nuna, posetite: www.bugaboo.com/warranty.

Korisnički servis

Ako imate pitanja, možda ćete uspeti da pronađete odgovore na našem veb-sajtu www.bugaboo.com. Ako treba da kontaktirate naš međunarodni servisni tim, uvek će nam biti drago da nam se obratite! Na raspolaganju smo da odgovorimo na sva vaša pitanja, nedoumice ili komentare koje možete imati u vezi sa našim proizvodima i uslugama. Ne oklevajte da nas kontaktirate. Vaše povratne informacije nam pomažu da dodatno unapredimo naše proizvode i usluge.

Izaberite željeni način kontaktiranja:

Telefon, +31-207189531

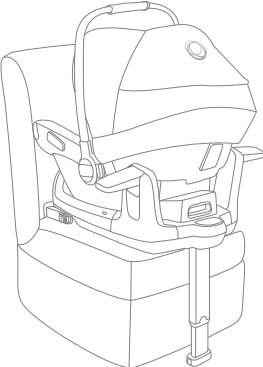
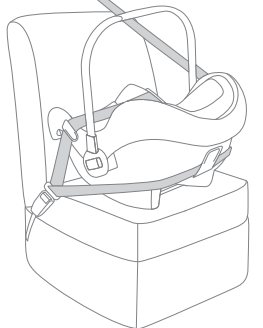
E-pošta, service@bugaboo.com

Obrazac za kontakt bugaboo.com, www.bugaboo.com/support

Twitter, @Bugaboo

Uslovi za upotrebu sa decom

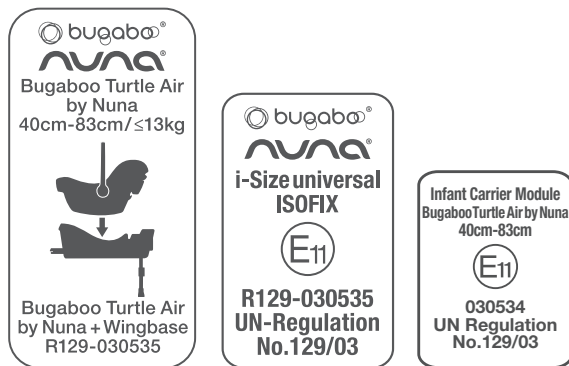
Ovaj proizvod je pogodan za upotrebu kod dece koja ispunjavaju sledeće uslove:

Slika za postavljanje	Pogodno za
	Decu visine 40cm-83cm/ Decu težine ≤13kg (stara približno 15 meseci ili manje)
	Decu visine 40cm-83cm/ Decu težine ≤13kg (stara približno ≤15 meseci)

SR

SR

Za upotrebu sa bazom



- 4 Ovo je i-Size poboljšani sistem za pričvršćivanje deteta pomoću pojasa. Odobren je u skladu sa UN uredbom br. 129 za upotrebu u svim univerzalnim položajima sedenja u vozilu, kao što je navedeno u korisničkom priručniku za vozilo.
- 5 Ako imate nedoumice, posavetujte se ili sa proizvođačem poboljšanog sistema za pričvršćivanje deteta ili sa prodavcem.

SR

- 1 „i-Size“ (integralni univerzalni ISOFIX poboljšani sistem za pričvršćivanje deteta) je kategorija poboljšanog sistema za pričvršćivanje deteta prvenstveno namenjena za sve i-Size položaje sedenja u vozilu.
- 2 U skladu sa UN uredbom br. 129, poboljšani sistem za pričvršćivanje deteta sa bazom je univerzalni ISOFIX poboljšani sistem za pričvršćivanje deteta i treba ga postavljati pomoću ISOFIX spojeva.
- 3 Ovo je „i-Size“ poboljšani sistem za pričvršćivanje deteta. Odobren je u skladu sa UN uredbom br.129 za upotrebu u svim i-Size kompatibilnim položajima sedenja u vozilu, kao što je navedeno u korisničkom priručniku za vozilo.

SR

UPOZORENJE

Nepoštovanje ovih upozorenja i uputstava može da dovede do ozbiljnih povreda ili smrti.

Svi kaiševi koji pričvršćuju modul za nošenje odojčeta za vozilo treba da budu zategnuti, a potporni nogar treba da bude u kontaktu sa podom vozila, dok kaiševi koji pričvršćuju dete treba da budu prilagođeni detetovom telu, pri čemu kaiševi ne smeju da budu uvrnuti.

Bilo kakav prtljag ili drugi predmeti koji mogu da izazovu povrede u slučaju sudara, moraju biti ispravno pričvršćeni.

Vodite računa da sistem za pričvršćivanje deteta bude postavljen na takav način da ni jedan njegov deo ne ometa pokretna sedišta ili funkcionisanje vrata vozila.

Pre ručnog podizanja modula za nošenje odojčeta, vodite računa da je dete pričvršćeno pomoću odgovarajućih dečijih kaiševa i da je ručka ispravno zaključana u vertikalnom položaju.

Posavetujte se sa distributerom u vezi sa održavanjem, popravkama i zamenom delova.

Ispravno postavljanje se postiže samo uz upotrebu ISOFIX spojeva.

Često proveravajte da u ISOFIX vodicama nema prljavštine i čistite ih po potrebi. Pouzdanost može da bude pogoršana usled upadanja prljavštine, prašine, delića hrane itd.

Proverite pre kupovine ovog poboljšanog sistema za pričvršćivanje deteta da li može da bude pravilno postavljen u vaše vozilo.

Čuvajte ovaj poboljšani sistem za pričvršćivanje deteta dalje od sunčeve svetlosti kada nije prekriven tekstilnim prekrivačem, jer može da postane previše vreo za dečiju kožu. Uvek proverite poboljšani sistem za pričvršćivanje deteta pre nego što stavite dete u njega.

Da bi se ovaj sistem za poboljšano pričvršćavanje deteta koristio sa ISOFIX spojevima u skladu sa UN uredbom br. 129, vaše dete mora da ispunjava sledeće uslove.

Visina deteta 40cm-83cm/Težina deteta ≤ 13 kg (staro približno 15 meseci ili manje).

Da bi se ovaj modul za nošenje odojčeta koristio sa pojasom u vozilu, vaše dete mora da ispunjava sledeće uslove.

Visina deteta 40cm-83cm.

Težina deteta ≤ 13 kg/Starost deteta ≤ 15 meseci.

Tekstilni materijal poboljšanog sistema za pričvršćivanje deteta ne treba menjati bilo kojim drugim osim onog koji preporučuje proizvođač, jer je tekstilni materijal važan za ukupne performanse sistema za pričvršćivanje.

Da bi se izbegao rizik od ispadanja, uvek pričvrstite dete pomoću dečijih kaiševa kada se dete nalazi u modulu za nošenje odojčeta, čak i kada poboljšani sistem za pričvršćivanje deteta nije u vozilu.

Da bi se izbegle ozbiljne povrede ili smrt, NIKADA ne postavljate modul za nošenje odojčeta na izdignutu površinu sedišta dok se dete nalazi u njemu.

Delovi ovog poboljšanog sistema za pričvršćivanje deteta nikako se ne smeju podmazivati.

Uklonite ovaj modul za nošenje odojčeta i bazu sa sedišta vozila kada se ne koristi redovno.

UVEK pričvrstite dete u poboljšanom sistemu za pričvršćivanje deteta, čak i prilikom kratkim putovanja, jer su to situacije kada se dešava najveći broj nesreća.

NIKADA ne ostavljate svoje dete bez nadzora u ovom poboljšanom sistem za pričvršćivanje deteta.

NIKADA ne koristite polovan poboljšani sistem za pričvršćivanje deteta ili onaj čiju istoriju upotrebe ne poznajete, jer može da ima strukturna oštećenja koja ugrožavaju bezbednost vašeg deteta.

NIKADA ne koristite bilo kakvu užad ili druge zamene da biste u vozilu pričvrstili napredni sistem za pričvršćivanje deteta ili da biste pričvrstili samo dete za napredni sistem za pričvršćivanje deteta.

NIJEDAN napredni sistem za pričvršćivanje deteta ne može da garantuje punu zaštitu od nesreća. Međutim, pravilno korišćenje ovog poboljšanog sistema za pričvršćivanje deteta smanjuje rizik od ozbiljnih povreda ili smrti vašeg deteta.

NE KORISTITE poboljšani sistem za pričvršćivanje deteta koji je okrenut unazad, u onim položajima za sedenje gde postoji aktivan frontalno ugrađeni vazdušni jastuk. Može doći do smrti ili ozbiljne povrede. Pogledajte korisnički priručnik za vozilo radi dodatnih informacija.

NE POSTAVLJATE bilo kakve predmete u području potpornog nogara , ispred baze sistema.

NE KORISTITE nikakve druge potporne kontaktne tačke osim onih koje su navedene u uputstvu i označene na poboljšanom sistemu za pričvršćivanje deteta.

NE NASTAVLJATE da koristite ovaj poboljšani sistem za pričvršćivanje deteta ako je učestvovao u sudaru, čak i manjem. Odmah ga zamenite, jer mogu postojati nevidljiva strukturna oštećenja uzrokovana sudarom.

NE POSTAVLJAJTE ovaj poboljšani sistem za pričvršćivanje deteta bez poštovanja uputstava iz ovog priručnika, jer vaše dete možete izložiti ozbiljnom riziku od povrede ili smrti.

NE PRAVITE nikakve izmene na ovom sistemu za pričvršćivanje deteta i nemojte ga koristiti sa delovima drugih proizvođača.

NE KORISTITE ovaj poboljšani sistem za pričvršćivanje deteta bez pripadajućih tekstilnih materijala.

NE KORISTITE ovaj poboljšani sistem za pričvršćivanje deteta ako je oštećen ili mu nedostaju delovi.

NE OBLAČITE vašem detetu veliku/preveliku odeću, jer time možete sprečiti da dete bude ispravno i adekvatno pričvršćeno pomoću traka ramenih kaiševa i preponskih traka između nogu.

NE OSTAVLJAJTE ovaj poboljšani sistem za pričvršćivanje deteta ili druge predmete nepričvršćene pomoću pojasa ili nezaštićene u vašem vozilu, jer nepričvršćen sistem može da bude bacan unaokolo i može povrediti putnike u oštrim krivinama, pri naglom kočenju ili sudaru.

NE STAVLJAJTE ništa drugo u ovaj poboljšani sistem za pričvršćivanje deteta osim predviđenih unutrašnjih jastuka.

SR

UPOZORENJE

Upotreba sedišta sa spuštenim naslonom kao kolevke

Upotreba sedišta sa spuštenim naslonom kao kolevke.

Uvek koristite sistem za pričvršćivanje.

NEMOJTE koristiti sedišta sa spuštenim naslonom kao kolevku ako je vaše dete sposobno samostalno da sedi.

NEMOJTE koristiti sedišta ako je bilo koji deo slomljen ili nedostaje.

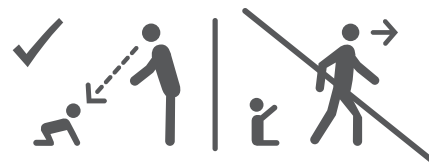
NEMOJTE koristiti dodatke ili rezervne delove osim onih koju su odobreni od strane proizvođača.

Opasno je koristiti ovo sedišta na uzdignutoj površini, kao na primer na stolu.

NIKADA ne ostavljajte dete bez nadzora.

Ovo sedišta nije namenjeno za spavanje tokom dužeg perioda.

Sedišta ne predstavlja zamenu za kolevku ili krevet. Ako vaše dete treba da spava, treba da ga staviti u odgovarajuću kolevku ili krevet.

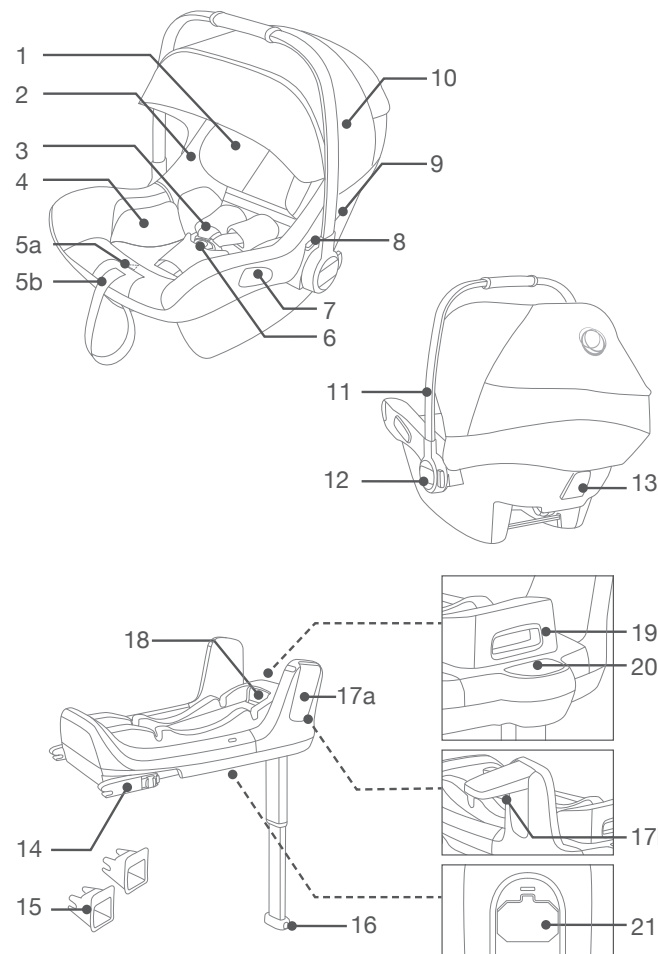


SR

Lista delova

Pre sklapanja, pobrinite se da su svi delovi tu. Modul za nošenje odojčeta i baza mogu da budu prodavani odvojeno. Ako bilo koji deo nedostaje, kontaktirajte Bugaboo (pogledajte 122. stranu radi informacija). Za sklapanje nije potreban nikakav alat.

- | | | | |
|----|----------------------------|-----|---|
| 1 | Naslon za glavu | 14 | ISOFIX spoj |
| 2 | Jastuk za sedište | 15 | ISOFIX vodica |
| 3 | Remenovi u predelu ramena | 16 | Dugme za podešavanje potpornog nogara |
| 4 | Umetak za odojče | 17a | Krilca za zaštitu od bočnog udara |
| 5b | Dugme za podešavanje kaiša | 17b | Dugme za sklapanje krilca |
| 5b | Podesiva mrežica | 18 | ISOFIX dugme za podešavanje |
| 6 | Bezbednosna kopča | 19 | Dugme za oslobađanje modula za nošenje odojčeta |
| 7 | Bočne vodice | 20 | Indikator potpornog nogara |
| 8 | Dugme za otpuštanje kolica | 21 | Pregrada za čuvanje korisničkog priručnika |
| 9 | Nosač baldahina | | |
| 10 | Baldahin | | |
| 11 | Ručka | | |
| 12 | Dugme na ručki | | |
| 13 | Zadnja vodica | | |



Upotreba proizvoda

Pitanja u vezi sa postavljanjem

Ovaj modul za nošenje odojčeta je pogodan za sedišta vozila sa i-Size ISOFIX tačkama za pričvršćivanje sa bazom. (1)

NE KORISTITE poboljšani sistem za pričvršćivanje deteta koji je okrenut unazad, u onim položajima za sedenje gde postoji aktivan frontalno ugrađeni vazdušni jastuk. Može doći do smrti ili ozbiljne povrede. (2) Pogledajte korisnički priručnik za vozilo radi dodatnih informacija.

NE POSTAVLJAJTE ovaj poboljšani sistem za pričvršćivanje deteta na sedišta koja su okrenuta bočno ili unazad u odnosu na smer kretanja vozila. (3)

Preporučuje se ovaj poboljšani sistem za pričvršćivanje deteta postavite na zadnje sedišta vozila. (4)



NE POSTAVLJAJTE ovaj poboljšani sistem za pričvršćivanje deteta na ona sedišta vozila koja mogu da se pomeraju.

Podešavanje ručke

- 1 Ručka modula za nošenje odojčeta može da se podesi u 3 položaja. (5) Položaj stolice za bebe. (5)-1 Položaj za stavljanje bebe na sedišta. (5)-2 Položaj za transport u vozilu, nošenje u rukama ili na kolicima. (5)-3

- 2 Da biste prilagodili dršku, pritisnite dugmad na dršci sa obe strane da biste je oslobodili. (6)-1
- 3 Okrećite dršku dok ne nalegne uz klik u bilo koji od 3 položaja. (6)-2

Postavljanje sa bazom

- 1 Razvucite potporni nogar iz pregratka. (7)
 - 2 Umetnite ISOFIX vođice u ISOFIX tačke za pričvršćivanje. (8) ISOFIX vođice mogu da zaštite površinu sedišta vozila od cepanja. One takođe mogu da usmere ISOFIX spojeve.
 - 3 Pritisnite ISOFIX dugme za podešavanje da biste podesili ISOFIX spojeve. (9)
 - 4 Poravnajte ISOFIX spojeve sa ISOFIX vođicama, a zatim ISOFIX spojeve gurnite uz klik u ISOFIX tačke za pričvršćivanje. (10)
-  Vodite računa da su oba ISOFIX spoja čvrsto pričvršćena za svoje ISOFIX tačke za pričvršćivanje. Treba da se čuju dva glasna klika, a boja na dva indikatora na oba ISOFIX spoja treba da bude potpuno zelena. (10)-1
-  Proverite da li je baza čvrsto postavljena tako što ćete povući ISOFIX spojeve.
- 5 Nakon postavljanja baze na sedišta vozila, razvucite potporni nogar do poda. (11) Kada indikator na potpornom nogaru prikazuje zelenu boju, to znači da je ispravno postavljen, dok crvena označava da je nepravilno postavljen. (11)-2

- ⚠ Potporni nogar ima 19 položaja. Kada indikator na potpornom nogaru pokazuje crvenu boju, to znači da je u pogrešnom položaju.
 - ⚠ Vodite računa da potporni nogar ostvari pun kontakt sa površinom poda u vozilu.
 - ⚠ Da biste skratili potporni nogar, pritisnite dugme za otpuštanje na nogaru i povucite nogar na gore. (11)-1 Potpuno sklopljena baza prikazana je na slici. (12)
 - ⚠ ISOFIX spojevi moraju da budu povezani i zaključani u ISOFIX tačkama za pričvršćivanje. (12)-1
 - ⚠ Potporni nogar mora da bude ispravno postavljen, sa zelenom bojom na indikatoru. (12)-2
- 6 Da biste uklonili bazu, prvo pritisnite dugme (13)-1 na sekundarnoj bravi, a zatim dugme (13)-2 na spojevima brave, pre uklanjanja baze sa sedišta vozila.
 - 7 Pritisnite ISOFIX dugme za podešavanje da biste sklopili ISOFIX.
 - 8 Gurnite modul za nošenje odojčeta na bazu (14), a ako je poboljšani sistem za pričvršćivanje deteta ispravno pričvršćen, bočna krilca za zaštitu od udara biće otvorena, a indikator poboljšanog sistema za pričvršćivanje deteta će prikazivati zelenu boju. (15) Bočno krilce za zaštitu od udara koje je udaljenije od vrata može se zatvoriti kao što je prikazano na (16), kada se ne koristi.

- ⚠ Povucite nagore modul za nošenje odojčeta da biste proverili da li je čvrsto zaključan na bazu.
- 9 Da biste otpustili modul za nošenje odojčeta, povucite nagore poboljšani sistem za pričvršćivanje deteta, dok pritisnete dugme za otpuštanje modula za nošenje odojčeta. (17)

Podešavanje visine

potpore za glavu i ramenih kaiševa

Proverite da li su trake ramenih kaiševa podešene na odgovarajuću visinu. Izaberite odgovarajući par otvora za ramene kaiševe, u skladu sa visinom deteta.

- ⚠ Trake ramenih kaiševa moraju da budu postavljene najbliže ramenima deteta (18), ali ne iznad visine ramena. (19)
- ⚠ Ako trake ramenih kaiševa nisu na odgovarajućoj visini, dete može da bude izbačeno iz poboljšanog sistema za pričvršćivanje deteta u slučaju sudara.

Povucite ručicu za podešavanje naslona za glavu (20) i istovremeno povucite nagore ili gurnite nadole naslon za glavu, dok ne nalegne uz klik u jedan od 7 položaja. Položaji naslona za glavu prikazani su na slici. (21)

Pričvršćivanje deteta

Upotrebite umetak za odojče



SR

Kada postavite dete na sedišta, proverite da li su trake ramenih kaiševa na odgovarajućoj visini.

- 1 Dok pritiskate dugme za podešavanje kaiša, potpuno povucite dve trake ramenog kaiša na poboljšanom sistemu za pričvršćivanje deteta. (22)
 - 2 Oslobodite kopče kaiševa tako što ćete pritisnuti crveno dugme. (23)
 - 3 Stavite dete u modul za nošenje odojčeta i zaključajte kopču. (25) Pogledajte korak (24).
 - 4 Zategnite trake ramenih kaiševa tako što ćete povući podesivu mrežicu. (26)
- !** Osigurajte da prostor između deteta i traka ramenih kaiševa bude približno jednak debljini šake.

Baldahin

- 1 Svucite vizir koji se nalazi ispod prednjeg luka baldahina. (27)
- 2 Izvucite proširivi 'pametni vizir' koji je smešten između dva sloja vizira. (28)
- 3 Pričvrstite magnetne sa oba ćoška na prednji deo sedišta vozila. (29)
- 4 Na zadnjem delu može da se otvori prorez radi ventilacije. (30)
Da biste sklopili baldahin, prvo preklopite zadnji deo vizira ispod prednjeg dela luka baldahina, a zatim ispod njega sklopite proširivi pametni vizir.

Odvajanje i sklapanje tekstilnog materijala

Pogledajte slike (31)-(40)

Da biste ponovo sklopili tekstilni materijal, ponovite unazad prethodno prikazane korake.

SR

Postavljanje bez baze

- 1 NE POSTAVJAJTE ovaj modul za nošenje odojčeta na sedište vozila samo pomoću krilnih pojaseva. (41)
- 2 Ovaj modul za nošenje odojčeta je pogodan samo za sedišta vozila koja imaju uvlačeći bezbednosni pojas sa 3 tačke (kada se koristi bez baze). (42)
- 3 Postavite modul za nošenje odojčeta na sedište vozila gde želite da se nalazi. Izvucite bezbednosni pojas i zaključajte ga u kopču, uvlačeći krilni pojas u bočne vodice modula za nošenje odojčeta. (43)
- ⚠ Modul za nošenje odojčeta ne može da se koristi ako je kopča bezbednosnog pojasa (ženski kraj kopče) predugačka da bi mogla čvrsto da pritegne modul za nošenje odojčeta. (43)-1
- 4 Uvucite dijagonalni pojas u zadnju vodiču. (44)
- 5 Povucite rameni pojas vozila da biste pritegnuli i pričvrstiti modul za nošenje odojčeta. (45)
- 6 Libela na modulu za nošenje odojčeta mora da bude ravna u odnosu na tlo kada je postavljen modul za nošenje odojčeta. (46)
- ⚠ Zategnite bezbednosni pojas vozila što je više moguće, proveravajući da nije labav ili uvrnut.
- ⚠ Nakon postavljanja modula za nošenje odojčeta, uvek proverite da li su pojasevi vozila ispravno provučeni i pričvršćeni za kopču vozila. (47)

Postavljanje u avionu

- ⚠ Imajte na umu da bezbednost deteta nije garantovana ako se ne pridržavate ovog priručnika za upotrebu.
- ⚠ Imajte na umu da se postavljanje modula za nošenje odojčeta u avionu razlikuje od postavljanja na sedište automobila.
- ⚠ Imajte na umu da je u avionu dozvoljeno pričvršćivanje samo pomoću krilnog pojasa u 2 tačke.
- ⚠ Imate na umu da u avionu modul za nošenje odojčeta mora da bude pričvršćen pomoću pojasa čak i kada se dete ne nalazi u njemu.
- ⚠ Imajte na umu da je modul za nošenje odojčeta namenjen za upotrebu samo na putničkim sedištima koje odobri avio kompanija.
- ⚠ Vodite računa da modul za nošenje odojčeta ne koristite u području u kojem dolazi do aktiviranja vazдушnih jastuka. (2)
- ⚠ Imajte na umu da modul za nošenje odojčeta koji je okrenut unazad treba koristiti samo na putničkim sedištima koja su okrenuta napred. (48)

Kako da modul za nošenje odojčeta postavite pomoću bezbednosnog pojasa na sedištu aviona:

- 1 Postavite modul za nošenje odojčeta na putničko sedište suprotno od smera letenja.
- 2 Osigurajte da ručka za nošenje bude u postavljena u najviši položaj.

- 3 Umetnite bezbednosni pojas u obe vođice za pojas.
 - 4 Zaključajte bezbednosni pojas (pogledajte bezbednosna uputstva avio kompanije).
 - 5 Zategnite bezbednosni pojas povlačeći kraj pojasa. (49)
- ⚠ Kopča bezbednosnog pojasa ni u kom slučaju ne sme da se nalazi kod tamno zelenih vođica za pojas. (50)

Uklanjanje: Otključajte bezbednosni pojas na putničkom sedištu (pogledajte bezbednosna uputstva avio kompanije). Sada možete da podignete modul za nošenje odojčeta sa putničkog sedišta.

SR

Čišćenje i održavanje

Očistite ram, plastične delove i tkaninu pomoću vlažne krpe, ali nemojte koristiti abrazivne izbeljivače. Nemojte koristiti silikonska sredstva za podmazivanje, jer će privući prljavštinu i nečistoće.

Da biste osigurali dugotrajnu upotrebu, brišite proizvod pomoću mekane upijajuće krpe nakon korišćenja proizvoda po kišovitom vremenu.

Pogledajte etikete za održavanje koje se nalaze na tekstilnom materijalu radi uputstava za pranje i sušenje.

Normalno je da tkanina promeni boju od sunčeve svetlosti i da nakon dužeg perioda upotrebe bude vidljivo više habanja, čak i kada se koristi sasvim uobičajeno.

Iz razloga bezbednosti, koristite samo originalne Bugaboo by Nuna delove.

Redovno proveravajte da li sve ispravno funkcioniše. Ako su delovi pocepani, polomljeni ili nedostaju, prestanite da koristite proizvod.

SR

Ovde sadržane informacije podležu promeni bez najave. Kompanija Bugaboo International BV neće biti odgovorna za ovde sadržane tehničke greške ili propuste. Kupljeni proizvod može da se razlikuje od proizvoda opisanog u ovom korisničkom uputstvu. Naše najvažnije korisničke priručnike možete da zatražite od servisnog odeljenja ili na www.bugaboo.com. © 2019 Bugaboo International BV. BUGABOO, BUGABOO CAMELEON, BUGABOO BEE, BUGABOO DONKEY, BUGABOO FOX, BUGABOO TURTLE, BUGABOO ANT, BUGABOO LYNX, BUGABOO STARDUST i Bugaboo logotipi su registrovani zaštitni znaci. Bugaboo® kolica su patentirana i njihov dizajn je zaštićen. © NUNA International B.V. Nuna i povezani logotipi su zaštitni znaci.

SVARĪGI!
SAGLABĀJIET ŠOS
NORĀDĪJUMUS
TURPMĀKAI ATSAUCEI:
IZLASIET UZMANĪGI!

Saturs

Informācija par produktu	146
Produkta reģistrācija	146
Klientu apkalpošana	146
Bērnu lietojuma prasības	147
Lietošanai ar pamatni	148
Brīdinājumi	150
Detalju saraksts	156
Produktu lietošana	158
Tīrīšana un apkope	166

Magyar (HU)	2
Slovenský (SK)	26
Slovenščina (SL)	50
Eesti keel (ET)	74
Română (RO)	96
Српски (SR)	120
Latviešu valoda (LV)	144
Türk (TR)	168
العربية (AR)	192

Informācija par produktu

Modeļa numurs: _____

Izgatavots (datums): _____

Produkta reģistrācija

Lūdzu, aizpildiet iepriekš norādīto informāciju. Modeļa numurs un izgatavošanas datums atrodas Bugaboo Turtle Air by Nuna sēdekliša apakšā.

Lai reģistrētu savu produktu, lūdzu, apmeklējiet vietni:
<https://service.bugaboo.com/ProductRegistrationForm>

Nuna ir mērķtiecīgi izstrādājusi un izgatavojusi šo produktu, lai tas atbilstu Nuna un Bugaboo augstajiem kvalitātes standartiem. Sazinoties par pakalpojumu, lūdzu, paņemiet pirkuma apliecinājumu, modeļa numuru un izgatavošanas datumu. Bugaboo saņems jūsu zvanu par Bugaboo Turtle Air by Nuna

Lai iegūtu garantijas informāciju par šo Bugaboo Turtle Air by Nuna, lūdzu, apmeklējiet: www.bugaboo.com/warranty

LV

Klientu apkalpošana

Ja jums ir jautājumi, jūs, iespējams, varēsiet atrast atbildi mūsu vietnē www.bugaboo.com. Ja jums ir jāsazinās ar mūsu starptautisko pakalpojumu grupu, mēs vienmēr priecāsimies jūs dzirdēt! Mēs esam pieejami, lai atbildētu uz visiem jautājumiem, bažām vai komentāriem, kas jums varētu rasties par mūsu produktiem un pakalpojumiem. Nevilcinieties sazināties ar mums. Jūsu atsauksmes palīdz mums vēl vairāk uzlabot mūsu produktus un pakalpojumus.

Izvēlieties vēlamo saziņas metodi:

Tālrunis, +31-207189531

E-pasts, service@bugaboo.com

Kontaktforma bugaboo.com, www.bugaboo.com/support

Twitter @Bugaboo

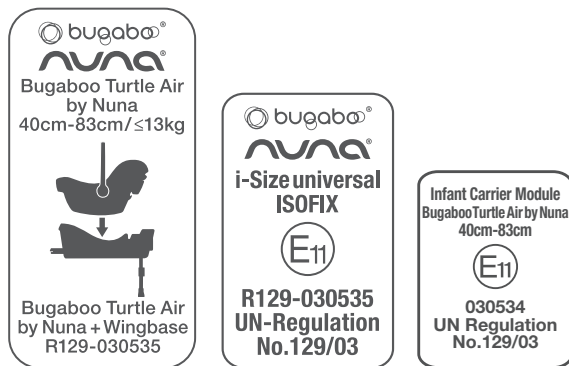
Bērnu lietojuma prasības

Šis produkts ir piemērots lietošanai bērniem, kuri atbilst šādām prasībām:

Uzstādīšanas zīmējums	Piemērots
	Bērna augumam 40cm-83cm/ bērna svaram ≤13kg (apmēram 15 mēnešu vecumam vai mazāk)
	Bērna augumam 40cm-83cm bērna svaram ≤13kg, bērna vecumam ≤15 mēneši

LV

Lietošanai ar pamatni



- 1 “I-izmērs” (integrētās universālās ISOFIX uzlabotās bērnu ierobežotājsistēmas) ir pastiprinātu bērnu ierobežotājsistēmu kategorija, kas galvenokārt paredzēta lietošanai visās transportlīdzekļa i-izmēra sēdvietās.
- 2 Saskaņā ar ANO noteikumiem Nr.129, pastiprinātā bērnu ierobežotājsistēma ar pamatni ir universāla ISOFIX pastiprināta bērnu ierobežotājsistēma, un to vajadzētu uzstādīt, izmantojot ISOFIX savienojumus.
- 3 Šī ir “I-izmērs” uzlabota bērnu ierobežotāj sistēma. Tā ir apstiprināta saskaņā ar ANO Regulu Nr.129, lietošanai automašīnās ar i-izmēra saderīgām automašīnas sēdvietām, kā to norādījuši transportlīdzekļa ražotāji transportlīdzekļa lietotāja rokasgrāmatā.

- 4 Šī ir universāla uzlabota jostas bērnu ierobežotāj sistēma. Tā ir apstiprināta saskaņā ar ANO Regulu Nr.129, lietošanai galvenokārt ar universālajām automašīnas sēdvietām, kā to norādījuši transportlīdzekļa ražotāji transportlīdzekļa lietotāja rokasgrāmatā.
- 5 Ja rodas šaubas, sazinieties ar uzlabotās bērnu ierobežotājsistēmas ražotāju vai mazumtirgotāju.

BRĪDINĀJUMS

Šo brīdinājumu un instrukciju neievērošana var izraisīt smagus ievainojumus vai nāvi.

Siksnām, kas zīdaiņa pārnēsāšanas moduli tur pie automašīnas, jābūt cieši pievilktām, lai jebkura slodzes kāja būtu saskarē ar transportlīdzekļa grīdu, visām bērna piestiprināšanas siksnām jābūt pielāgotām bērna ķermenim, un siksnām nevajadzētu būt savītām.

Jebkura bagāža vai citi priekšmeti, kas sadursmes gadījumā var izraisīt ievainojumus, ir pienācīgi jānostiprina.

Pārliedzieties, vai uzlabotā bērnu ierobežotājsistēma ir uzstādīta tā, lai neviena tās daļa netraucētu pārvietojamajiem sēdekļiem vai transportlīdzekļa durvju darbībai.

Pirms zīdaiņa pārnēsāšanas moduļa nešanas rokā pārliedzieties, vai bērns ir piestiprināts ar bērna drošības jostām, un vai rokturis ir pareizi nofiksēts vertikālā stāvoklī.

Sazinieties ar izplatītāju par apkopes, remonta un rezerves daļu nomaiņas jautājumiem.

Pareiza uzstādīšana ir atļauta tikai, izmantojot ISOFIX savienotājus.

Bieži pārbaudiet, vai ISOFIX vadotnēs nav netīrumu, un, ja nepieciešams, notīriet tās. Uzticamību var ietekmēt, iekļūstot netīrumiem, putekļiem, pārtikas daļiņām utt.

Pirms iegādājaties šo uzlaboto bērnu ierobežotājsistēmu, lūdzu, pārbaudiet, vai to var pareizi uzstādīt jūsu automašīnā.

Lūdzu, glabājiet šo uzlaboto bērnu ierobežotājsistēmu bez tekstilizstrādājuma pārklājuma prom no saules gaismas, jo tas var būt pārāk karsts bērna ādai. Pirms bērna ievietošanas tajā vienmēr pieskarieties pastiprinātajai bērnu ierobežotājsistēmai.

Lai izmantotu šo uzlaboto bērnu ierobežotājsistēmu ar ISOFIX savienojumiem saskaņā ar ANO noteikumiem Nr. 129, jūsu bērnam jāatbilst šādām prasībām.

Bērna augums 40cm-83cm/bērna svars ≤ 13 kg (apmēram 15 mēnešu vecums vai mazāk).

Lai izmantotu šo zīdaiņa pārnēsāšanas moduli ar transportlīdzekļa jostu, jūsu bērnam jāatbilst šādām prasībām.

Bērna augums 40cm-83cm.

Bērna svars ≤ 13 kg/bērna vecums ≤ 15 mēneši.

Uzlaboto bērnu ierobežotājsistēmu mīkstās detaļas nevajadzētu aizstāt ar citām ražotāju ieteiktajām, jo mīkstā detaļa ir ierobežotājsistēmas kvalitātes neatņemama sastāvdaļa.

Lai izvairītos no izkrišanas riska, vienmēr nostipriniet bērnu, izmantojot bērnu drošības jostas, kad bērns ir ievietots zīdaiņa pārnēsāšanas modulī, pat ja pastiprinātā bērnu ierobežotājsistēma neatrodas transportlīdzeklī.

Lai izvairītos no nopietniem ievainojumiem vai nāves, NEKAD nelieciet zīdaiņa pārnēsāšanas moduli uz paaugstinātas virsmas sēdekļa ar bērnu tajā.

Šīs uzlabotās bērnu ierobežotājsistēmas daļas nekādā gadījumā nedrīkst ieeļļot.

Noņemiet šo zīdaiņa nēsāšanas moduli un pamatni no transportlīdzekļa sēdekļa, ja tas netiek regulāri lietots.

VIENMĒR droši aizsargājiet bērnu uzlabotajā ierobežotāj sistēmā, pat īsos braucienos, jo tad notiek lielākā daļa negadījumu.

NEKAD neatstājiet savu bērnu bez uzraudzības, izmantojot šo pastiprināto bērnu ierobežotājsistēmu.

NEKAD nelietojiet lietotu bērnu ierobežotājsistēmu vai uzlabotu bērnu ierobežotājsistēmu, kuras vēsturi jūs nezināt, jo tai var būt bojāta konstrukcija, kas apdraud jūsu bērna drošību.

NEKAD nelietojiet virves vai citus aizvietotājus, lai automašīnā ievietotu uzlaboto bērnu ierobežotājsistēmu, vai nostiprinātu bērnu ierobežotājsistēmā.

NEVIENA uzlabota bērnu ierobežotājsistēma nevar garantēt pilnīgu aizsardzību no negadījumā gūtajiem ievainojumiem. Tomēr pareiza šīs pastiprinātās bērnu ierobežotājsistēmas izmantošana samazina nopietnu savainojumu vai nāves risku jūsu bērnam.

NELIETOJIET uz aizmuguri vērstas uzlabotās bērnu ierobežotājsistēmas sēdvietās, kur ir uzstādīts aktīvs priekšējais gaisa spilvens. Var rasties nopietns ievainojums vai nāve. Lūdzu, skatiet automašīnas īpašnieka rokasgrāmatu, lai iegūtu vairāk informācijas.

NELIECIET priekšmetus pamatnes slodzes kājas tuvumā.

NELIETOJIET nekādus slodzi nesošus kontaktpunktus, izņemot tos, kas aprakstīti instrukcijās un atzīmēti uz uzlabotās bērnu ierobežotājsistēmas.

NEDRĪKST turpināt lietot šo pastiprināto bērnu ierobežotājsistēmu pēc tam, kad tā ir cietusi jebkāda veida avārijā, pat ne smagā. Nekavējoties nomainiet, jo avārijā var būt radušies neredzami konstrukcijas bojājumi.

NEUZSTĀDIET šo uzlaboto bērnu ierobežotājsistēmu, neievērojot šajā rokasgrāmatā sniegtos norādījumus, pretējā gadījumā jūs varat savu bērnu pakļaut nopietna savainojuma vai nāves riskam.

NEVEICIET izmaiņas uzlabotajā bērnu ierobežotājsistēmā un nelietojiet to kopā ar citu ražotāju detaļām.

NELIETOJIET uzlaboto bērnu ierobežotāj sistēmu bez mīkstajām detaļām.

NELIETOJIET šo uzlaboto bērnu ierobežotājsistēmu, ja tam ir bojātas vai trūkst detaļas.

NEĢĒRBIET savu bērnu biežās/ liela izmēra drēbēs, jo tas var traucēt jūsu bērnam pareizi un droši piestiprināt plecu drošības siksnas un stakles siksnu starp kājām.

NEATSTĀJIET šo uzlaboto bērnu ierobežotājsistēmu vai citus priekšmetus, kas nav piestiprināti ar siksnu vai nav nostiprināti jūsu automašīnā, jo var tikt izmesti nenostiprināti pastiprinātās bērnu ierobežotāj sistēmas elementi, un tie var savainot automašīnas pasažierus, veicot strauju pagriezienu, pēkšņu apstāšanos vai notiekot sadursmei.

NEIEVIETOJIET šajā uzlabotajā bērnu ierobežotājsistēmā neko citu, tikai ieteiktos spilvenus.

LV



BRĪDINĀJUMS

Sēdekļa lietošana kā noliekts šūpulis

Sēdekļa lietošana kā noliekts šūpulis.

Vienmēr izmantojiet ierobežotājsistēmu.

NELIETOJIET sēdekli kā noliektu šūpulīti, ja jūsu bērns var sēdēt bez palīdzības.

NELIETOJIET sēdekli, ja kāda detaļa ir salauzta, vai tās nav.

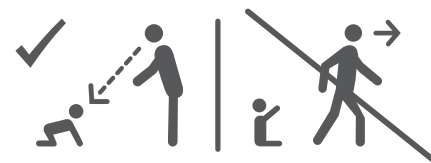
NELIETOJIET piederumus vai rezerves daļas, ja tās nav apstiprinājis ražotājs.

Bīstami izmantot šo sēdekli uz paaugstinātas virsmas, piemēram, galda.

NEKAD neatstājiet bērnu bez uzraudzības.

Šis sēdekļis nav paredzēts lietošanai ilgstoša miega laikā.

Šis sēdekļis neaizvieto bērnu gultiņu. Ja bērnam vajadzētu gulēt, tas jānovieto piemērotā gultā.

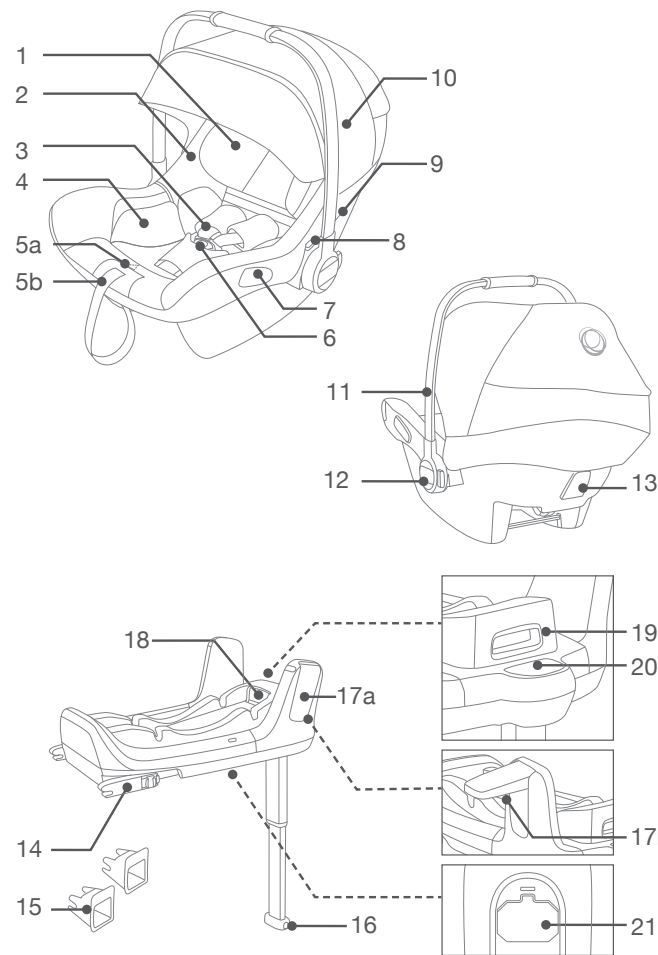


LV

Detalju saraksts

Pirms montāžas pārliecinieties, ka visas detaļas ir pieejamas. Zīdaiņa nēsāšanas moduli un pamatni var pārdot atsevišķi. Ja trūkst kādas detaļas, lūdzu, sazinieties ar Bugaboo (informāciju skatiet 146. lpp.). Uzstādīšanai nav nepieciešami instrumenti.

- | | | | |
|----|----------------------------------|-----|--|
| 1 | Galvas atbalsts | 14 | ISOFIX savienotājs |
| 2 | Sēdekļa spilventiņš | 15 | ISOFIX vadotnes |
| 3 | Plecu drošības jostas | 16 | Slodzes kājas regulēšanas poga |
| 4 | Zīdaiņa ieliktnis | 17a | Sānu trieciena aizsargspārni |
| 5a | Drošības jostas regulēšanas poga | 17b | Spārnu atlocīšanas poga |
| 5b | Regulēšanas sikсна | 18 | ISOFIX regulēšanas poga |
| 6 | Drošības sprādze | 19 | Zīdaiņa pārnēsāšanas moduļa atbrīvošanas poga |
| 7 | Sānu vadotnes | 20 | Slodzes kājas indikators |
| 8 | Ratiņu atbrīvošanas poga | 21 | Lietošanas rokasgrāmatas glabāšanas nodalījums |
| 9 | Nojumes stiprinājums | | |
| 10 | Nojume | | |
| 11 | Rokturis | | |
| 12 | Roktura poga | | |
| 13 | Aizmugurējās vadotnes | | |



Produktu lietošana

Uzstādīšanas apsvērumi

Šis zīdaiņa pārnēsāšanas modulis ir piemērots transportlīdzekļa sēdekļiem ar i-izmēra ISOFIX stiprinājuma punktiem ar pamatni. (1)

NELIETOJIET uz aizmuguri vērstas uzlabotās bērnu ierobežotājsistēmas sēdvietās, kur ir uzstādīts aktīvs priekšējais gaisa spilvens. Var rasties nopietns ievainojums vai nāve. (2) Lūdzu, skatiet automašīnas īpašnieka rokasgrāmatu, lai iegūtu vairāk informācijas.

NEUZSTĀDIET šo uzlaboto bērnu ierobežotājsistēmu uz transportlīdzekļa sēdekļiem, kas vērsti uz sāniem vai aizmuguri, ņemot vērā transportlīdzekļa kustības virzienu. (3)

Ieteicams uzstādīt šo pastiprināto bērnu ierobežotājsistēmu uz automašīnas aizmugurējā sēdekļa. (4)

NEUZSTĀDIET šo uzlaboto bērnu ierobežotājsistēmu uz transportlīdzekļa sēdekļiem, kas uzstādīšanas laikā ir pārvietojami.

Roktura regulēšana

- 1 Zīdaiņa nēsāšanas moduļa rokturi var noregulēt 3 pozīcijās. (5)
Bērnu krēsla pozīcija. (5)-1
Pozīcija mazuļa ievietošanai sēdekļī. (5)-2
Pozīcija pārvietošanai ar automašīnu, rokām vai ratiņiem. (5)-3

- 2 Lai noregulētu rokturi, saspiediet roktura pogas abās pusēs, lai to atbrīvotu. (6)-1
- 3 Pagrieziet rokturi, līdz tas noklikšķ jebkurā no 3 pozīcijām. (6)-2

Uzstādīšana ar pamatni

- 1 Atbrīvojiet slodzes kāju no uzglabāšanas nodalījuma. (7)
 - 2 Pievienojiet ISOFIX vadotnes ar ISOFIX stiprinājuma punktiem. (8) ISOFIX vadotnes var aizsargāt transportlīdzekļa sēdekļa virsmu no sabojāšanas. Viņi var arī virzīt ISOFIX savienotājus.
 - 3 Nospiediet ISOFIX pielāgošanas pogu, lai pielāgotu ISOFIX savienotājus. (9)
 - 4 Savietojiet ISOFIX savienotājus ar ISOFIX vadotnēm, un pēc tam noklikšķiniet uz abiem ISOFIX savienotājiem ISOFIX stiprinājuma punktos. (10)
-  Pārliecinieties, vai abi ISOFIX savienotāji ir droši piestiprināti pie ISOFIX stiprinājuma punktiem. Ir jābūt dzirdamiem diviem klikšķiem, un abos ISOFIX savienotājos esošo indikatoru krāsām jābūt pilnīgi zaļām. (10)-1
-  Pārliecinieties, vai pamatne ir droši uzstādīta, pievelkot abus ISOFIX savienotājus.

- 5 Pēc pamatnes novietošanas uz transportlīdzekļa sēdekļa slodzes kāju nolieciet līdz grīdai (11). Kad slodzes kājas indikators ir zaļā krāsā, tas nozīmē, ka tas ir uzstādīts pareizi, sarkans nozīmē, ka tas ir uzstādīts nepareizi. (11)-2
- ⚠ Slodzes kājai ir 19 pozīcijas. Ja slodzes kājas indikators ir sarkanā krāsā, tas nozīmē, ka slodzes kāja ir nepareizā stāvoklī.
- ⚠ Pārliedzinieties, ka slodzes kāja ir pilnīgā saskarē ar automašīnas grīdu.
- ⚠ Lai sāisinātu slodzes kāju, izspiediet slodzes kājas atbrīvošanas pogu un velciet slodzes kāju uz augšu. (11)-1 Pilnīgi samontēta pamatne tiek parādīta kā (12).
- ⚠ ISOFIX savienotāji ir jāpiestiprina un jāpieslēdz ISOFIX stiprinājuma punktiem. (12)-1
- ⚠ Slodzes kāja ir jāuzstāda pareizi ar zaļu indikatoru. (12)-2
- 6 Pirms pamatnes noņemšanas no automašīnas sēdekļa, vispirms nospiediet sekundāro bloķēšanas pogu (13)-1 un tad pogu (13)-2, kas atrodas uz stiprinājumu savienotājiem.
- 7 Nospiediet ISOFIX regulēšanas pogu, lai salocītu ISOFIX.
- 8 Iebīdiet zīdaiņa nēsāšanas moduli uz leju, pamatnē (14), ja uzlabotā bērnu ierobežotājsistēma ir droša, sānu trieciena aizsardzības spārni būs atvērti un pastiprinātās bērnu ierobežotājsistēmas indikators deg zaļā krāsā. (15)

Sānu trieciena aizsardzības spārns, kas neatrodas pie durvīm, var būt aizvērts, kad to nelietojat, kā parādīts (16).

- ⚠ Pavelciet uz augšu zīdaiņa pārnēsāšanas moduli, lai pārliedzinātos, vai tas ir droši nofiksēts pamatnē.
- 9 Lai atbrīvotu zīdaiņa pārnēsāšanas moduli, pavelciet pastiprināto bērnu ierobežotājsistēmu uz augšu, vienlaikus saspiežot zīdaiņa nēsāšanas moduļa atbrīvošanas pogu. (17)

Augstuma regulēšana

galvas atbalstam un plecu drošības jostām

Pārbaudiet, vai plecu drošības jostas ir iestatītas pareizā augstumā. Lūdzu, izvēlieties pareizo plecu drošības jostas atveri atbilstoši bērna augumam.

- ⚠ Plecu drošības jostām jāatrodas tuvāk jūsu bērna pleciem (18), bet ne augstāk par plecu līniju. (19)
- ⚠ Ja plecu drošības jostu stiprinājumi nav pareizajā augstumā, bērns var tikt izstumts no uzlabotās bērnu ierobežotājsistēmas, ja notiek avārija.

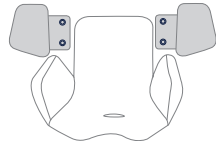
Pavelciet galvas balsta regulēšanas sviru (20), vienlaikus paceliet vai nolaidiet galvas balstu, līdz tas nofiksējas vienā no 7 pozīcijām. Galvas balsta pozīcijas tiek parādītas kā (21).

Bērna nodrošināšana

Zīdaiņa ieliktna lietošana



Mēs iesakām lietot pilnu zīdaiņa ieliktni, kamēr mazulis ir mazāks par 60 cm vai, kamēr viņš izaugs no ieliktna. Zīdaiņa ieliktnis palielina aizsardzību pret sānu triecieniem.



Izņemiet zīdaiņa ieliktna sānu balstus, kad tie vairs ērti nepieguļ zīdaiņa pleciem.

Pēc tam, kad bērns ir ievietots sēdekļī, pārbaudiet, vai plecu drošības jostu stiprinājumi ir pareizajā augstumā.

- 1 Turot nospiestu drošības jostu pielāgošanas pogu, pilnībā izvelciet abus uzlabotās bērnu ierobežotājsistēmas plecu drošības jostu stiprinājumus. (22)
 - 2 Nospiediet sarkano pogu, lai atvērtu drošības jostu sprādzi. (23)
 - 3 Ievietojiet bērnu zīdaiņa nēsāšanas modulī un aizsprādzējiet. (25)
Lūdzu, skatieties (24).
 - 4 Pievelciet plecu drošības jostu stiprinājumus, velkot regulēšanas siksnu. (26)
- !** Pārlicinieties, ka atstarpe starp bērnu un plecu drošības jostu stiprinājumiem ir apmēram vienas rokas biezumā.

Nojume

- 1 Izvelciet vizieri zem priekšējā nojumes loka. (27)
- 2 Starp diviem viziera slāņiem izvelciet izvelkamo viedo vizieri. (28)
- 3 Katrā automašīnas sēdekļa priekšpusē stūrī piestipriniet magnētus. (29)
- 4 Atveriet sēdekļa aizmugurē var atvērt ventilācijai. (30) Lai nolocītu nojumi atpakaļ, vispirms atlieciet atpakaļ vizieri zem nojumes jumtiņa priekšējā loka, un pēc tam nolociet zem tā pagarināmo viedo vizieri.

Mīksto detaļu noņemšana un salikšana

skatieties attēlus (31)-(40)

Lai saliktu mīkstās detaļas, atkārtojiet iepriekšminētās darbības pretējā secībā.

Uzstādīšana bez pamatnes

- 1 NEUZSTĀDIET šo zīdaiņa nēsāšanas moduli uz transportlīdzekļa sēdekļiem ar klēpja jostām. (41)
- 2 Šis zīdaiņa nēsāšanas modulis ir piemērots tikai transportlīdzekļa sēdvietām ar 3 punktu spriegotāja drošības jostu (bez pamatnes). (42)
- 3 Novietojiet zīdaiņa nēsāšanas moduli transportlīdzekļa sēdekļī, kur vēlaties to novietot. Izvelciet transportlīdzekļa drošības jostu un nofiksējiet to automašīnas sprādzē, iebīdot

transportlīdzekļa klēpja jostu zīdaiņa nēsāšanas moduļa sānu vadotnēs. (43)

! Zīdaiņa nēsāšanas moduli nevar izmantot, ja automašīnas drošības jostas sprādze (aptverošais sprādzes gals) ir pārāk gara, lai droši nostiprinātu zīdaiņa pārnēsāšanas moduli. (43)-1

4 Iebīdiet diagonālo jostu aizmugurējā vadotnē. (44)

5 Pavelciet automašīnas plecu jostu, lai cieši un droši nostiprinātu zīdaiņa pārnēsāšanas moduli. (45)

6 Zīdaiņa pārnēsāšanas moduļa līmeņa līnijai jābūt vienā līmenī ar zemi, kad zīdaiņa pārnēsāšanas modulis ir uzstādīts. (46)

! Cik iespējams, pievelciet transportlīdzekļa drošības jostu, pārbaudot, vai tā nav vaļīga vai savijusies.

! Pēc zīdaiņa pārnēsāšanas moduļa uzstādīšanas vienmēr pārbaudiet, vai transportlīdzekļa jostas ir pareizi novietotas un droši nostiprinātas automašīnas sprādzē. (47)

Uzstādīšana lidmašīnā

! Nemiet vērā, ka netiek garantēta bērna drošība, ja neievēro uzstādīšanas un lietošanas instrukciju.

! Nemiet vērā, ka zīdaiņa nēsāšanas moduļa uzstādīšana lidmašīnas sēdekļī atšķiras no uzstādīšanas uz mašīnas sēdekļa.

! Nemiet vērā, ka 2 punktu klēpja jostas stiprinājumu atļauj tikai lidmašīnā.

! Nemiet vērā, ka zīdaiņa nēsāšanas moduļim jāpaliek piesprādzētam uz lidmašīnas sēdekļa pat tad, ja tas nav aizņemts.

! Nemiet vērā, ka zīdaiņa nēsāšanas modulis ir paredzēts lietošanai tikai uz aviokompānijas licencēta pasažiera sēdekļa.

! Brīdinājums nelietot zīdaiņa pārnēsāšanas moduli gaisa spilvenu darbības vietā. (2)

! Nemiet vērā, ka uz aizmuguri vērstu zīdaiņu pārnēsāšanas moduli vajadzētu uzstādīt tikai uz priekšu vērsta pasažieru sēdvietā. (48)

Kā uzstādīt zīdaiņa pārnēsāšanas moduli, izmantojot lidmašīnas sēdekļa drošības jostu:

1 Novietojiet zīdaiņa pārnēsāšanas moduli pretēji lidojuma virzienam uz pasažiera sēdekļa.

2 Pārliecinieties, vai pārnēsāšanas rokturis atrodas visaugstākajā stāvoklī.

3 Ievietojiet drošības jostu abās jostas vadotnēs.

4 Aizsprādzējiet drošības jostu (skatiet aviosabiedrības drošības norādījumus).

5 Pievelciet drošības jostu, velkot jostas galu. (49)

! Drošības jostas sprādze nekādā gadījumā nedrīkst atrasties tumši zaļās jostas vadotnēs. (50)

Noņemšana:

Atveriet pasažieru sēdekļa drošības jostu (skatiet aviosabiedrības drošības norādījumus). Tagad jūs varat paņemt zīdaiņa krēsliņa moduli no pasažiera sēdekļa.

Tīrīšana un apkope

Notīriet rāmi, plastmasas detaļas un audumu ar mitru lupatiņu, bet nelietojiet abrazīvus līdzekļus vai balinātāju. Nelietojiet silīcija smērvielas, ja tās piesaistīs netīrumus un putekļus.

Lai nodrošinātu ilgstošu lietošanu, pēc lietošanas lietus laikā to noslaukiet ar mīkstu, absorbējošu drānu.

Skatiet mazgāšanas un žāvēšanas instrukcijas, kas piestiprinātas pie mīkstajiem izstrādājumiem.

Ir normāli, ja audums iekrāsojas no saules gaismas un pēc ilgstošas lietošanas nodilst, pat, ja to lieto normāli.

Drošības apsvērumu dēļ izmantojiet tikai oriģinālās Nuna ražotā Bugaboo rezerves daļas.

Regulāri pārbaudiet, vai viss darbojas pareizi. Ja kāda detaļa ir saplēsta, salauzta, vai tās trūkst, pārtrauciet šī produkta lietošanu.

LV

Šeit ietvertā informācija var tikt mainīta bez iepriekšēja brīdinājuma. Bugaboo International BV neatbild par tehniskām kļūdām vai izlaidumiem, kas šeit ietverti. Iegādātais izstrādājums var atšķirties no izstrādājuma, kas aprakstīts šajā lietotāja rokasgrāmatā. Mūsu lietotāju rokasgrāmatas var meklēt mūsu servisa nodaļās vai vietnē www.bugaboo.com. © 2019 Bugaboo International BV. BUGABOO, BUGABOO CAMELEON, BUGABOO BEE, BUGABOO DONKEY, BUGABOO FOX, BUGABOO TURTLE, BUGABOO ANT, BUGABOO LYNX, BUGABOO STARDUST un Bugaboo logo ir reģistrētas preču zīmes. The Bugaboo® ratiņi ir patentēti, un to dizains ir aizsargāts. © NUNA International B.V. Nuna un visi saistītie logotipi ir reģistrētas preču zīmes.

LV

ÖNEMLİ!
BU TALİMATLARI DAHA
SONRA BAŞVURMAK
İÇİN SAKLAYIN:
DİKKATLİ OKUYUN

İçindekiler

Ürün bilgileri	170
Ürün kaydı	170
Müşteri hizmetleri	170
Kullanılabileceği çocuklar	171
Tabanla kullanıma uygundur	172
Uyarılar	174
Parça listesi	180
Ürünün kullanımı	182
Temizlik ve bakım	190

Magyar (HU)	2
Slovenský (SK)	26
Slovenščina (SL)	50
Eesti keel (ET)	74
Română (RO)	96
Српски (SR)	120
Latviešu valoda (LV)	144
Türk (TR)	168
العربية (AR)	192

Ürün bilgileri

Model Numarası: _____

Üretim tarihi: _____

Ürün kaydı

Lütfen yukarıdaki bilgileri doldurun. Model numarası ve üretim tarihi, Bugaboo Turtle Air by Nuna ürününün altında bulunmaktadır.

Ürününüzü kaydetmek için lütfen web sitemizi ziyaret edin: <https://service.bugaboo.com/ProductRegistrationForm>.

Nuna bu ürünü Nuna ve Bugaboo'nun yüksek standartlarını karşılamak amacıyla özel olarak geliştirmiş ve üretmiştir. Lütfen servis için iletişime geçtiğiniz zaman ürünü satın alma kanıtını, model numarasını ve üretim tarihini yanınızda hazır bulundurun. Bugaboo, Bugaboo Turtle Air by Nuna ile ilgili çağrılarınızı kabul edecektir.

Bugaboo Turtle Air by Nuna ile ilgili garanti bilgileri için lütfen web sitemizi ziyaret edin: www.bugaboo.com/warranty

Müşteri hizmetleri

Herhangi bir sorunuz varsa www.bugaboo.com web sitemizden aradığınız cevabı bulabilirsiniz. Uluslararası müşteri hizmetleri ekibimizle iletişime geçmeniz gerekiyorsa size yardımcı olmaktan mutluluk duyarız! Ürünlerimiz ve hizmetlerimiz hakkında tüm sorularınızı, merak ettiklerinizi veya yorumlarınızı cevaplamak için hizmetinizdeyiz. Bizimle dilediğiniz zaman iletişime geçebilirsiniz. Geri bildirimimiz ürünlerimizi ve hizmetlerimizi geliştirmemize yardımcı olmaktadır.

Tercih ettiğiniz iletişim yöntemini seçin:

Tālrunis, +31-207189531

E-pasts, service@bugaboo.com

İletişim kanalı bugaboo.com, www.bugaboo.com/support

Twitter, @Bugaboo

Kullanılabileceği çocuklar

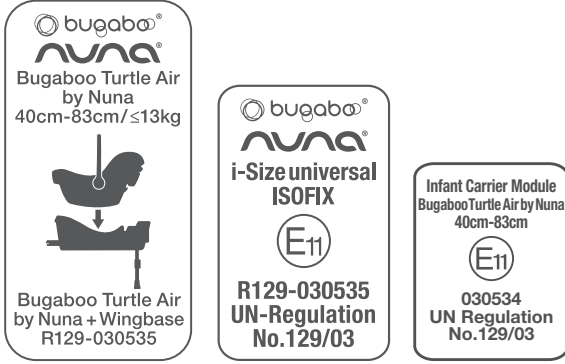
Bu ürün aşağıdaki kriterleri karşılayan çocuklar için kullanıma uygundur:

Montaj resmi	Aşağıdaki çocuklar için uygundur
	Boyu 40 cm-83 cm/ Kilosu≤13 kg (yaklaşık 15 aylık veya daha küçük çocuklar)
	Boyu 40 cm-83 cm Kilosu≤13 kg Yaşı≤15 aylık

TR

TR

Tabanla kullanıma uygundur



- 1 “i-Size” (Yekpare Genel Amaçlı ISOFIX Gelişmiş Oto Güvenlik Koltuğu Sistemleri), esas olarak bir araçtaki tüm i-Size uyumlu koltuklarda kullanılmak üzere tasarlanmış bir Gelişmiş Oto Güvenlik Koltuğu Sistemi kategorisidir .
- 2 129 Sayılı BM Yönetmeliği uyarınca tabanlı Gelişmiş Oto Güvenlik Koltuğu, Genel Amaçlı ISOFIX Gelişmiş Oto Güvenlik Koltuğudur ve ISOFIX bağlantıları kullanılarak takılması gerekir.
- 3 Bu bir “i-Size” Gelişmiş Oto Güvenlik Koltuğu Sistemidir. 129 Sayılı BM Yönetmeliği uyarınca araç kullanım kılavuzlarında araç üreticileri tarafından belirtildiği şekilde i-Size uyumlu araç koltuklarında kullanımı onaylanmıştır.

- 4 Bu bir Genel Amaçlı Emniyet Kemerli Gelişmiş Oto Güvenlik Koltuğu Sistemidir. 129 Sayılı BM Yönetmeliği uyarınca esas olarak araç kullanım kılavuzlarında araç üreticileri tarafından belirtildiği şekilde Genel amaçlı koltuklarda kullanımı onaylanmıştır.
- 5 Herhangi bir şüpheniz varsa Gelişmiş Oto Güvenlik Koltuğu Sistemi üreticisine veya satıcısına danışın.

UYARI

Bu uyarılara ve talimatlara uymamak, ağır yaralanmaya veya ölüme neden olabilir.

Ana kucağı modülünü araca sabitleyen tüm kemerler sıkı olmalı, tüm yük taşıma ayakları aracın döşemesine temas etmeli, çocuğunuzun hareket etmesini önleyen tüm kemerler çocuğunuzun vücuduna göre ayarlanmalı ve kemerler kıvrılmamalıdır.

Bagajlar ve çarpışma durumunda yaralanmaya neden olabilecek diğer tüm eşyalar düzgün bir şekilde sabitlenmelidir.

Gelişmiş oto güvenlik koltuğunun hiçbir parçasının koltukların veya araç kapılarının hareketini engellemeyecek şekilde monte edildiğinden emin olun.

Ana kucağı modülünü elinizle taşımadan önce çocuğunuzun emniyet kemeri ile bağlandığından ve tutacağıın dik konumda doğru şekilde kilitletiğinden emin olun.

Bakım, onarım ve parça değişimi ile ilgili konularda distribütöre danışın.

Doğru Montaj için sadece ISOFIX bağlantı parçalarının kullanılmasına izin verilir.

ISOFIX kılavuzlarını sık sık kirlenmeye karşı kontrol edin ve gerekirse temizleyin. İçine girebilecek kir, toz ve yiyecek kırıntıları kılavuzların güvenilirliğini etkileyebilir.

Lütfen bu gelişmiş oto güvenlik koltuğunu satın almadan önce kontrol ederek aracınıza düzgün bir şekilde monte edilebildiğinden emin olun.

Aksi takdirde çocuğunuzun cildi için çok sıcak olabileceğinden lütfen bu gelişmiş oto güvenlik koltuğunu kumaş kılıfını çıkartarak güneş ışığından uzakta saklayın. Çocuğunuzu içerisine yerleştirmeden önce her zaman Gelişmiş Oto Güvenlik Koltuğuna dokunarak kontrol edin.

129 Sayılı BM Yönetmeliği uyarınca ISOFIX bağlantılarına sahip bu gelişmiş oto güvenlik koltuğunu kullanmak için çocuğunuzun aşağıdaki gereksinimleri karşılaması gerekir.

Boyu 40 cm-83 cm/Kilosu≤13 kg (yaklaşık 15 aylık veya daha küçük çocuklar)

Bu ana kucağı aracın emniyet kemeriyle birlikte kullanmak için çocuğunuzun aşağıdaki gereksinimleri karşılaması gerekir.

Boyu 40 cm-83 cm.

Kilosu≤13 kg/Yaşı≤15 aylık.

Dokumalar, oto güvenlik koltuğu performansının ayrılmaz bir parçasını teşkil ettiğinden gelişmiş oto güvenlik koltuğu sisteminin dokumaları, üreticinin önerdikleri dışında herhangi bir dokuma ile değiştirilmemelidir.

Düşme riskini önlemek için çocuk ana kucağı modülüne yerleştirildiğinde gelişmiş oto güvenlik koltuğu araç içinde olmasa bile çocuğunuzu her zaman çocuk emniyet kemeri kullanarak sabitleyin.

Ađır yaralanma veya ölüm riskini önlemek için ana kucađı modülünü ASLA çocuk içerisindeyken yükseltilmiş koltuk üzerine yerleřtirmeyin.

Gelişmiş oto güvenlik koltuđunun parçaları hiçbir şekilde yağlanmamalıdır.

Düzenli olarak kullanılmadığında bu ana kucađı modülünü ve tabanını araç koltuđundan çıkarın.

Çođu kazanın meydana geldiđi kısa yolculuklarda bile çocuđunuzu HER ZAMAN gelişmiş oto güvenlik koltuđuna sabitleyin.

Çocuđunuzu bu gelişmiş oto güvenlik koltuđu ile birlikte ASLA tek başına bırakmayın.

Çocuđunuzun güvenliđini tehlikeye atacak yapısal hasara sahip olabileceđinden ASLA ikinci el bir gelişmiş oto güvenlik koltuđu veya geçmişini bilmediđiniz bir gelişmiş oto güvenlik koltuđu kullanmayın.

Gelişmiş oto güvenlik koltuđunu araca veya çocuđunuzu gelişmiş oto güvenlik koltuđuna sabitlemek için ASLA halat veya benzer şeyler kullanmayın.

HİÇBİR gelişmiş oto güvenlik koltuđu, bir kaza sırasında yaralanmaya karşı tam korumayı garanti etmez. Ancak bu gelişmiş oto güvenlik koltuđunun düzgün bir şekilde kullanılması, çocuđunuzun ağır yaralanma veya ölüm riskini azaltacaktır.

Aktif bir ön hava yastıđının takılı olduđu koltuklarda arkaya bakan gelişmiş oto güvenlik koltuđu sistemlerini **KULLANMAYIN**. Aksi takdirde ölüm veya ağır yaralanma meydana gelebilir. Daha fazla bilgi için lütfen aracın kullanım kılavuzuna bakın.

Tabanın önündeki yük taşıma ayađı alanına herhangi bir eşya **KOYMAYIN**.

Talimatlarda belirtilenler ve gelişmiş oto güvenlik koltuđu üzerinde işaretli olanlar dışında başka herhangi bir yük taşıma temas noktası **KULLANMAYIN**.

Bu gelişmiş oto güvenlik koltuđunu önemsiz bile olsa herhangi bir kazada zarar gördükten sonra kullanmaya **DEVAM ETMEYİN**. Kaza nedeniyle görünmeyen yapısal hasar olabileceđinden derhal deđiřtirin.

Bu gelişmiş oto güvenlik koltuđunu bu kılavuzda yer alan talimatlara bakmadan **MONTE ETMEYİN**, aksi takdirde çocuđunuzu ağır yaralanma veya ölüm riskine maruz bırakabilirsiniz.

Bu gelişmiş oto güvenlik koltuđu üzerinde herhangi bir deđiřiklik **YAPMAYIN** veya diđer üreticilerin bileřen parçaları ile birlikte **KULLANMAYIN**.

Bu gelişmiş oto güvenlik koltuđu sistemini dokumaları olmadan **KULLANMAYIN**.

Hasar görmüşse veya eksik parça varsa bu gelişmiş oto güvenlik koltuđunu **KULLANMAYIN**.

Çocuğunuzun omuz emniyet kemerleri ve bacakların arasındaki kasık kemeri ile düzgün ve sıkı bir şekilde bağlanmasını önleyebileceği için çocuğunuza geniş/aşırı büyük kıyafetler GİYDİRMEYİN.

Sabitlenmeyen gelişmiş oto güvenlik koltuğu keskin bir virajda , ani frenlerde veya bir çarpışma anında savrulabileceği ve araç içindeki yolculara zarar verebileceği için bu gelişmiş oto güvenlik koltuğunu veya diğer eşyaları bağlanmamış veya sabitlenmemiş halde BIRAKMAYIN.

Bu gelişmiş oto güvenlik koltuğunun içine önerilenlerin dışında başka bir iç minder KOYMAYIN.

TR



UYARI

Koltuğun yatık beşik olarak kullanılması

Koltuğun yatık beşik olarak kullanılması.

Emniyet kemeri sistemini daima kullanınız.

Çocuğunuz yardım almadan oturabilmeye başladıktan sonra koltuğu yatık beşik olarak KULLANMAYINIZ.

Kırık veya eksik parçası varsa koltuğu KULLANMAYINIZ.

Üretici tarafından onaylanmamış aksesuarları veya yedek parçaları KULLANMAYINIZ.

Bu koltuğu masa gibi yüksek yüzeylerde kullanmak tehlikelidir.

Çocuğunuz ASLA gözetimsiz bırakmayın.

Bu koltuk uzun süreli uyku için uygun değildir.

Bu koltuk beşik veya yatağın yerini tutmaz. Uyku ihtiyacı olması durumunda çocuğunuz uygun bir beşik veya yatağa konulmalıdır.

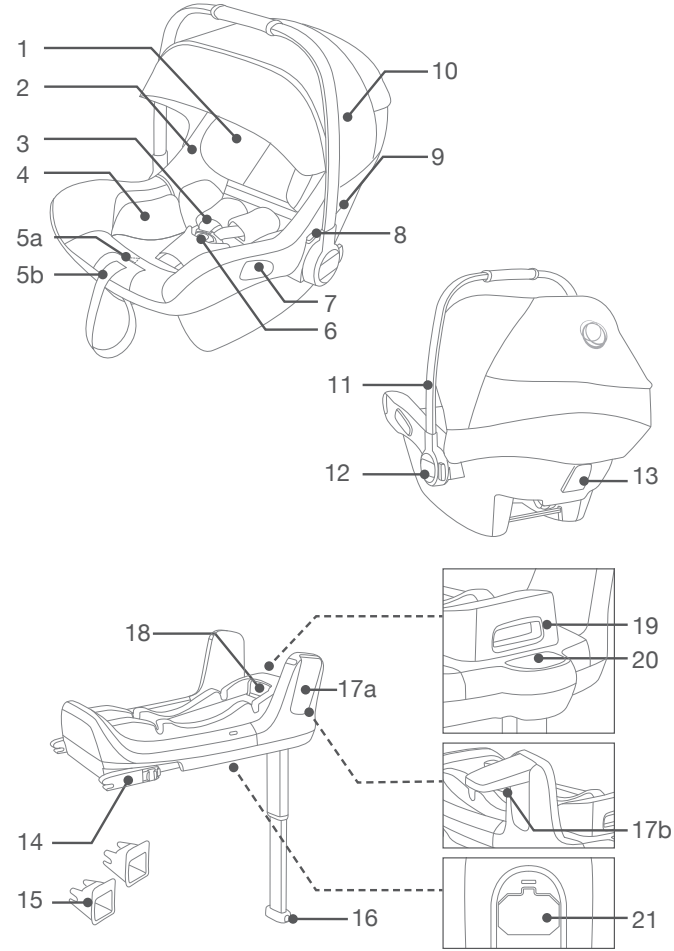


TR

Parça listesi

Monte etmeden önce tüm parçaların mevcut olduğundan emin olun. Ana kucağı modülü ve taban ayrı olarak satılır. Herhangi bir parça eksikse lütfen Bugaboo ile iletişime geçin (bilgi için bkz. sayfa 170). Montaj için hiç alet gerekmez.

- | | | | |
|----|----------------------------------|-----|--------------------------------------|
| 1 | Baş Desteği | 13 | Arka Kılavuz |
| 2 | Koltuk Pedi | 14 | ISOFIX Bağlantı Parçası |
| 3 | Omuz Emniyet Kemerleri | 15 | ISOFIX Kılavuzları |
| 4 | Yenidoğan Aparatı | 16 | Yük Taşıma Ayağı Ayar Düğmesi |
| 5a | Emniyet Kemer Ayarlama Düğmesi | 17a | Yan Darbe Koruma Siperleri |
| 5b | Ayar Kayışı | 17b | Kanat Arkaya Katlama Düğmesi |
| 6 | Emniyet Kemer Tokası | 18 | ISOFIX Ayar Düğmesi |
| 7 | Yan Kılavuzlar | 19 | Ana Kucağı Modülü Kilit Açma Düğmesi |
| 8 | Bebek Arabası Kilit Açma Düğmesi | 20 | Yük Taşıma Ayağı Göstergesi |
| 9 | Tente Montaj Aparatı | 21 | Kullanım Kılavuzu Saklama Gözü |
| 10 | Tente | | |
| 11 | Tutacak | | |
| 12 | Tutacak Düğmesi | | |



Ürünün kullanımı

Montaj sırasında dikkat edilmesi gerekenler

Bu ana kucağı modülü, tabanlı i-Size ISOFIX tespit noktalarına sahip araç koltukları için uygundur. (1)

Aktif bir ön hava yastığının takılı olduğu koltuklarda arkaya bakan gelişmiş oto güvenlik koltuğu sistemlerini KULLANMAYIN. Aksi takdirde ölüm veya ağır yaralanma meydana gelebilir. (2) Daha fazla bilgi için lütfen aracın kullanım kılavuzuna bakın.

Bu gelişmiş oto güvenlik koltuğunu aracın hareket yönüne göre yanlara veya arkaya bakacak şekilde MONTE ETMEYİN. (3)

Bu gelişmiş oto güvenlik koltuğunun aracın arka koltuğuna monte edilmesi önerilir. (4)

Bu gelişmiş oto güvenlik koltuğunu montaj sırasında hareket eden araç koltuklarına MONTE ETMEYİN.

Tutacak ayarı

- 1 Ana kucağı modülünün tutacağı 3 konuma ayarlanabilir. (5)
Bebek sandalyesi konumu. (5)-1 Bebeği koltuğa yerleştirme konumu. (5)-2 Arabada, elle veya bebek arabasında taşıma konumu. (5)-3
- 2 Tutacağı ayarlamak için tutacak kilidini açacak olan her iki taraftaki tutacak düğmelerini sıkın. (6)-1
- 3 3 konumdan birine oturana kadar tutacağı döndürün. (6)-2

Tabanla birlikte monte etme

- 1 Yük taşıma ayağını saklama gözünden çıkarıp açın. (7)
 - 2 ISOFIX kılavuzlarını ISOFIX tespit noktalarına takın. (8) ISOFIX kılavuzları araç koltuğunun yüzeyini yırtılmaya karşı koruyabilir. Ayrıca ISOFIX bağlantı parçalarını yönlendirebilirler.
 - 3 ISOFIX bağlantı parçalarını ayarlamak için ISOFIX Ayar Düğmesine basın. (9)
 - 4 ISOFIX bağlantı parçalarını ISOFIX kılavuzları ile hizalayın ve ardından her iki ISOFIX bağlantı elemanını ISOFIX tespit noktalarına takın. (10)
- ⚠ Her iki ISOFIX bağlantı parçasının ISOFIX tespit noktalarına sıkıca takıldığından emin olun. Net bir şekilde iki klik sesi duyulmalı ve her iki ISOFIX bağlantı parçasının göstergeleri üzerindeki renkler tamamen yeşil olmalıdır. (10)-1
- ⚠ Her iki ISOFIX bağlantı parçasından çekip kontrol ederek tabanın sıkıca monte edildiğinden emin olun.
- 5 Tabanı araç koltuğuna yerleştirdikten sonra yük taşıma ayağını döşemeye kadar uzatın (11). Yük taşıma ayağı göstergesi yeşil rengi gösterdiğinde doğru şekilde monte edildiği, kırmızı gösterdiğinde yanlış monte edildiği anlamına gelir. (11)-2
- ⚠ Yük taşıma ayağı 19 konuma sahiptir. Yük taşıma ayağı göstergesi kırmızı rengi gösterdiğinde bu, yük taşıma ayağının yanlış konumda olduğu anlamına gelir.

- ⚠️ Yük taşıma ayağının aracın döşeme sacına tamamen temas ettiğinden emin olun.
- ⚠️ Yük taşıma ayağını kısaltmak için yük taşıma ayağı kilit açma düğmesini sıkın ve yük taşıma ayağını yukarı doğru çekin. (11)-1
Tamamen monte edilmiş taban (12) no'lu resimdeki gibi görünür.
- ⚠️ ISOFIX bağlantı parçaları ISOFIX tespit noktalarına takılmalı ve kilitlemelidir. (12)-1
- ⚠️ Yük taşıma ayağı yeşil gösterge ile doğru bir şekilde monte edilmelidir. (12)-2
- 6 Tabanı çıkarmak için önce ikinci kilit açma düğmesine (13)-1 ve ardından tabanı araç koltuğundan çıkarmadan önce mandallı bağlantı parçalarının üzerindeki düğmeye (13)-2 basın.
- 7 ISOFIX'i katlamak için ISOFIX Ayar Düğmesine basın.
- 8 Ana kucağı modülünü aşağı tabana doğru itin (14), gelişmiş oto güvenlik koltuğu sabitse yan darbe koruma siperleri açılacak ve gelişmiş oto güvenlik koltuğu göstergesi yeşil renk gösterecektir. (15) Kapıdan uzakta bulunan yan darbe koruma siperi kullanılmadığı zaman (16) no'lu resimde gösterildiği gibi kapatılabilir.
- ⚠️ Mandallar vasıtasıyla tabana sıkıca sabitlendiğinden emin olmak için ana kucağı modülünü yukarı doğru çekin.

- 9 Ana kucağı modülünün kilidini açmak için ana kucağı modülü kilit açma düğmesini sıkarken gelişmiş oto güvenlik koltuğunu yukarı doğru çekin. (17)

Baş desteği

Ve omuz emniyet kemerleri için yükseklik ayarı

omuz Emniyet Kemerlerinin doğru yükseklikte ayarlandığını kontrol edin. Lütfen çocuğunuzun boyuna uygun doğru bir çift omuz emniyet kemeri yuvası seçin.

- ⚠️ Omuz Emniyet Kemerleri çocuğunuzun omuzlarına en yakın seviyede olmalı (18) ama omuz çizgisinin üzerinde olmamalıdır. (19)
- ⚠️ Omuz Emniyet Kemerleriniz doğru yükseklikte değilse çocuğunuz , bir çarpışma anında gelişmiş oto güvenlik koltuğundan fırlayabilir.

Baş desteği ayar kolunu (20) çekerken aynı zamanda baş desteğini 7 konumdan birine sıkıca oturana kadar yukarı çekin veya aşağı itin. Baş desteği konumları (21) no'lu resimde gösterilmektedir.

Çocuğunuzu sabitleme

Yenidoğan aparatını kullanın



Çocuğunuzu koltuğa yerleştirdikten sonra Omuz EmniyetKemerlerinin doğru yükseklikte olup olmadığını kontrol edin.

- 1 Emniyet kemeri ayar düğmesine basarken gelişmişoto güvenlik koltuğunun iki Omuz Emniyet Kemerinitamamen çekin. (22)
 - 2 Kırmızı düğmeye basarak emniyet kemerlerininintokasının kilidini açın. (23)
 - 3 Çocuğunuzu ana kucakçı modülüne yerleştirin ve tokayıkilitleyin. (25) Lütfen (24) no'lu resme bakın.
 - 4 Ayar kayışını çekerek omuz emniyet kemerlerini sıkın. (26)
- ⚠ Çocuğunuz ile Omuz Emniyet Kemerleri arasındaki boşluğun yaklaşık bir elinizin kalınlığı kadar olduğundan emin olun.

Tente

- 1 Güneşliği çevirerek ön tente kemerinin altından çıkarın. (27)
- 2 Uzatılabilir 'akıllı güneşliği' iki güneşlikatmanı arasından çekip çıkarın. (28)
- 3 Köşelerde bulunan mıknatısları araç koltuğununönüne takın. (29)
- 4 Arka tarafta bulunan Peek-a-boo cebi havalandırma için açılabilir. (30) Tenteyi tekrar katlamak için önce güneşliği çevirerek yeniden ön tente kemerinin altına yerleştirin ve ardından uzatılabilir akıllı güneşliği alta doğru katlayın.

Dokumaların çıkartılması ve takılması

(31)-(40) no'lu resimlere bakın

Dokumaları yeniden takmak için yukarıda anlatılan adımlarinters sırada izleyin.

Tabansız montaj

- 1 Bu ana kucakçı modülünü araç koltuklarınaBel Kemerleri ile birlikte MONTE ETMEYİN. (41)
- 2 Bu ana kucakçı modülü sadece 3 noktadan Geri SarmalıEmniyet Kemerleri ile birlikte (tabanolmadan) kullanıma uygundur. (42)

- 3 Ana kucağı modülünü takmak istediğiniz araç koltuğuna yerleştirin. Aracın emniyet kemerini çekin ve aracın emniyet kemeri tokasına kilitlemek için aracın bel kemerini ana kucağı modülünün yan kılavuzlarından kaydırın. (43)
- ! Aracın emniyet kemeri tokası (dışı toka ucu), ana kucağı modülünün güvenli bir şekilde sabitlenemeyeceği kadar uzunsa, ana kucağı modülü kullanılamaz. (43)-1
- 4 Çapraz kemeri arka kılavuza doğru kaydırarak takın. (44)
- 5 Ana kucağı modülünü sıkı ve sağlam bir şekilde sabitlemek için aracın omuz emniyet kemerini çekin. (45)
- 6 Ana kucağı modülünü monte ederken ana kucağı modülü üzerindeki seviye çizgisi zeminle düz olmalıdır. (46)
- ! Aracın emniyet kemerini mümkün olduğunca gerdirerek gevşek veya kıvrılmış olmadığını kontrol edin.
- ! Ana kucağı modülünü monte ettikten sonra her zaman aracın emniyet kemerlerinin doğru bir şekilde takıldığını ve aracın emniyet kemeri tokasına sıkıca sabitlendiğini kontrol edin. (47)

Uçak koltuğuna monte etme

- ! Montaj ve kullanım kılavuzuna uyulmadığı takdirde çocuğunun güvenliğini garanti edilemeyeceğinden dikkat edin.

- ! Ana kucağı modülünün bir uçak koltuğuna montajının, bir araba koltuğuna montajından farklı şekilde gerçekleştirildiğinden dikkat edin.
- ! 2 Noktalı Bel Kemeri ataşmanına sadece uçakta izin verildiğine dikkat edin.
- ! Ana kucağı modülünün boş olduğunda bile uçak koltuğundaki kemerle bağlı kalması gerektiğine dikkat edin.
- ! Ana kucağı modülünün sadece havayolu şirketinin izin verdiği yolcu koltuğunda kullanılabilmesine dikkat edin.
- ! Ana kucağı modülünün hava yastığının açıldığı alanda kullanılmamasına ilişkin uyarılara dikkat edin. (2)
- ! Arkaya bakan ana kucağı modülünün sadece öne bakarak yolcu koltuklarına monte edilmesi gerektiğine dikkat edin. (48)

Ana kucağı modülünün uçak koltuğunun emniyet kemerini kullanarak monte etme:

- 1 Ana kucağı modülünü yolcu koltuğuna uçuş yönünün karşı yönünde yerleştirin.
- 2 Taşıma sapının en üst konumda olduğundan emin olun.
- 3 Emniyet kemerini her iki emniyet kemeri kılavuzuna takın.
- 4 Emniyet kemerini kapatın (havayolu şirketinin güvenliğini talimatlarına bakın).

5 Emniyet kemerinin ucunu çekerek emniyet kemerini sıkın. (49)

⚠ Emniyet kemerinin tokası hiçbir koşulda koyu yeşil emniyet kemeri kılavuzlarının içinde kalmamalıdır. (50)

Çıkarma: Yolcu koltuğunun emniyet kemerini açın (havayolu şirketinin güvenlik talimatlarına bakın). Şimdi ana kucağı modülünü yolcu koltuğundan çıkartabilirsiniz.

Temizlik ve bakım

çerçeveyi, plastik parçaları ve kumaşı nemli bir bezle temizleyin, ama aşındırıcı temizleyiciler veya çamaşır suyu kullanmayın. Kiri ve pisliği tutacağı içinsilikon bazlı yağlayıcılar kullanmayın.

Uzun ömürlü kullanımı garanti etmek için bu ürünü yağmurlu havalarda kullandıktan sonra yumuşak, emici bir bezle silin.

Yıkama ve kurutma talimatları için dokumaların üzerindeki bakım etiketlerine bakın.

Kumaşın normal şekilde kullanıldığı zaman bile güneş ışığı nedeniyle renginin değişmesi ve uzun süre kullanımdan sonra aşınma ve yıpranma göstermesi normaldir.

Güvenlik nedeniyle sadece Nuna marka orijinal Bugaboo parçalarını kullanın.

Her şeyin doğru çalışıp çalışmadığını düzenli olarak kontrol edin. Herhangibir parça aşınmışsa, kırılmışsa veya eksikse bu ürünü kullanmayı bırakın.

Burada yer alan bilgiler önceden haber verilmeden değiştirilebilir. Bugaboo International BV, burada yer alan teknik hatalar veya eksiklikler nedeniyle sorumlu tutulamaz. Satın alınan ürün, bu kullanım kılavuzunda tarif edilen üründen farklı olabilir. En güncel kullanım kılavuzlarımız servis departmanlarımızdan veya www.bugaboo.com adresinden istenebilir. © 2019 Bugaboo International BV. BUGABOO, BUGABOO CAMELEON, BUGABOO BEE, BUGABOO DONKEY, BUGABOO FOX, BUGABOO TURTLE, BUGABOO ANT, BUGABOO LYNX, BUGABOO STARDUST ve Bugaboo logoları tescilli ticari markalardır. Bugaboo® bebek arabaları patentlidir ve tasarımı koruma altındadır. © NUNA International B.V. Nuna ve ilgili tüm logolar ticari markalardır.

⚠ يجب ألا يتم ابدا تحت أي ظروف تمرير مشبك حزام الأمان من خلال مجاري الحزام ذات اللون الأخضر الداكن. (50)

الإزالة:

قم بفتح حزام الأمان الخاص بمقعد الراكب (راجع تعليمات السلامة الخاصة بشركة الطيران). يمكنك الآن رفع وحدة حمل الطفل من على مقعد الراكب.

التنظيف والصيانة

قم بتنظيف الإطار والأجزاء البلاستيكية والقماش باستخدام قطعة قماش مبللة، ولكن لا تستخدم مادة كاشطة أو منظف. لا تستخدم المزلقات المحتوية على السليكون لأنها ستجذب الغبار والأوساخ.

لضمان الاستخدام الطويل، قم بمسح المنتج مستخدما قطعة قماش ناعمة وماصة بعد الاستخدام في الجو الممطر.

راجع ملصقات العناية المثبتة على الأجزاء اللينة للتعرف على تعليمات الغسيل والتجفيف.

من الطبيعي أن يبهت لون القماش نتيجة تعرضها لأشعة الشمس وأن يصيبها البلى والتلف بعد الاستخدام فترات طويلة، حتى مع الاستخدام الطبيعي.

لأسباب متعلقة بالسلامة، لا تستخدم قطع بخلاف قطع Bugaboo الأصلية التي تنتجها Nuna.

راجع المنتج دوريا للتأكد من أن كل شيء يعمل على الوجه الصحيح. إذا كان هناك أي أجزاء ممزقة أو مكسورة أو مفقودة، توقف عن استخدام هذا المنتج.

المعلومات المذكورة هنا يجوز تغييرها بدون إخطار. شركة Bugaboo International BV ليست مسؤولة عن الأخطاء التقنية أو السهو في هذه الوثيقة. المنتج المباع قد يختلف عن المنتج حسيما تم وصفه في دليل المستخدم هذا. يمكن طلب أحدث دليل مستخدم من أقسام الخدمة التابعة لنا أو عبر الرابط www.bugaboo.com.

© Bugaboo International BV 2019. الأسماء التجارية BUGABOO، وBUGABOO CAMELEON، وBUGABOO BEE، وBUGABOO ANT، وBUGABOO LYNX، وBUGABOO FOX، وBUGABOO DONKEY، وBUGABOO TURTLE، وBUGABOO STARDUST وشعارات Bugaboo هي علامات مسجلة. عربات أطفال Bugaboo® حاصلة على براءة اختراع وتصميمها محمي. © الاسم التجاري Nuna International B.V. Nuna وكافة شعاراتها هي علامات تجارية مسجلة.

3 ضع وحدة حمل الطفل في مقعد المركبة في الموضع الذي ترغب فيه. اسحب حزام أمان المركبة إلى الخارج وأغلقه في مشبكه بالمركبة، مع تمرير حزام الوسط الخاص بالمركبة في المجاري الجانبية الخاصة بوحدة حمل الطفل. (43)

! لا يجوز استخدام وحدة حمل الطفل إذا كان مشبك حزام أمان المركبة (الطرف الأثني من المشبك) أطول مما يلزم لتأمين وحدة حمل لالطفل. 1-(43)

4 قم بتمرير الحزام المائل بداخل الدليل الخلفي. (44)

5 اسحب حزام الكتف الخاص بالسيارة لكي تثبت وحدة حمل الطفل بشكل مقيد ومأمون. (45)

6 خط المستوى الموجود في وحدة حمل الطفل يجب أن يكون موازيا للأرض عندما تكون وحدة حمل الطفل مثبتة. (46)

! قم بشد حزام أمان السيارة قدر الإمكان، مع التأكد من انه ليس مرتخيا أو ملتويا.

! احرص دائما بعد تثبيت وحدة حمل الطفل عليان تفحص أحزمة السيارة للتأكد من انها ممررة بشكل سليم وانها مربوطة أمان في مشبكها في السيارة. (47)

التثبيت في الطائرة

! يرجى ملاحظة أنه لا يمكن ضمان سلامة الطفل عند عدم الالتزام بدليل التركيب والتعليمات.

! يرجى ملاحظة أن عملية تثبيت وحدة حمل الطفل على مقعد الطائرة هو أمر يختلف عن التثبيت على مقعد السيارة.

! يرجى ملاحظة أن ملحق حزام أمان الوسط يسمح به فقط على الطائرة.

! يرجى ملاحظة أن وحدة حمل الطفل يجب ان تظل مربوطة على مقعد الطائرة حتى عندما يكون شاغرا.

! يرجى ملاحظة أن وحدة حمل الطفل مخصصة فقط للاستخدام على مقعد الراكب المسموح به من شركة الطيران.

! يحظر استخدام وحدة حمل الطفل في المساحة المخصصة للوسادة الهوائية. (2)

! يرجى ملاحظة أن وحدة حمل الطفل المتجهة إلى الخلف يجب عدم تثبيتها إلا على المقاعد المتجهة إلى الجهة الأمامية. (48)

كيفية تثبيت وحدة حمل الطفل باستخدام حزام الأمان الموجود في مقعد الطائرة؛

1 ضع وحدة حمل الطفل في الإتجاه المعارض لاتجاه الطيران على مقعد الراكب.

2 تأكد من ان مقبض الحمل في أعلى وضع ممكن له.

3 مرر حزام الأمان بداخل مجاري الأحزمة.

4 قم بربط حزام الأمان (راجع تعليمات السلامة الخاصة بشركة الطيران).

5 قم بشد حزام الأمان بأن تجذب طرف الحزام. (49)

المظلة

- 1 قم بإخراج حاجب الضوء من تحت قوس المظلة السفلي. (27)
- 2 قم بسحب 'حاجب الضوء الذكي' من بينطبقتي الحاجب المزدوجتين. (28)
- 3 قم بتثبيت المغناطيسات الموجودة في كلا الأركان على مقدمة مقعد السيارة. (29)
- 4 يمكن فتح منفذ الاطمئنان على الطفل الخلفيلزيادة التهوية. عندما ترغب في طي. (30)
المظلة، قم أولاً بطي حاجب الضوء أسفل قوس المظلة الأماميوبعدها قم بطي حاجب الضوء الذكي القابل للامتدادأسفله.

فصل وتجميع الأجزاء اللينة

انظر الأشكال (31) – (40)

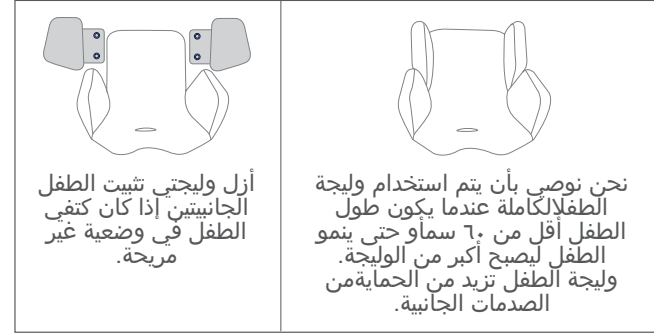
لإعادة تجميع الأجزاء اللينة، اتبع الخطوات السابقذكرها بالترتيب العكسي.

التثبيت بدون القاعدة

- 1 لا تقم بتثبيت وحدة حمل الطفل على مقاعدالمركبة باستخدام حزام الأمان الذي يربط على الوسط. (41)
- 2 وحدة حمل الطفل مناسبة للقياس للمركباتالتي يوجد بها أحزمة أمان ارتدادية ذات ٣ نقاط تثبيت (بدونالقاعدة) فقط. (42)

تأمين الطفل

استخدام وليجة الطفل



بعد وضع الطفل في المقعد، تأكد من أنأشرطة شد الكتف على الارتفاع المناسب.

- 1 بينما تضغط على زر ضبط أشرطة الكتفاسحب أشرطة شد الكتف بشكل تاممن مفيد حركة الطفل المحسن. (22)
 - 2 قم بتحريك مشبك الشريط بالضغط عليالزر الأحمر. (23)
 - 3 ضع الطفل في وحدة حمل الطفل وقم بإفقال المشبك. (25) برجاء الرجوع إلى (24).
 - 4 قم بإحكام ربط أشرطة الشد بأن تجذبشريط الضبط. (26)
- ⚠ تأكد من أن المسافة التي بين الطفل وأشرطة شد الكتف لا تزيد عن سمكاليد الواحدة.

⚠️ ساق التحميل لها ١٩ وضع. عندما يظهر على مؤشر ساق التحميل اللون الأحمر فإن معنى ذلك أن ساق التحميل في وضع خاطئ.

⚠️ تأكد من أن ساق التحميل متلامسة بشكل كامل مع أرضية السيارة.

⚠️ عند الرغبة في تقصير ساق التحميل، اضغط على زر تحريرها ووقم بجذب ساق التحميل إلى أعلى. 1-(11) يمكن مشاهدة القاعدة تامة التجميع في الخطوة (12).

⚠️ وصلات ISOFIX يجب أن يتم تثبيتها وكذلك إغلاقها بداخل نقاط تثبيت 1-(12). ISOFIX.

⚠️ ساق التثبيت يجب أن يتم تركيبها بالشكل السليم مع تحول المؤشر إلى الأخضر. 2-(12)

6 عند الرغبة في إزالة القاعدة، اضغط على زر القفل الثاني. 1-(13) أولاً وبعد ذلك اضغط على الزر. 2-(13) في وصلات المزلاج قبل إخراج القاعدة من مقعد السيارة.

7 اضغط على زر ضبط ISOFIX لكي تتمكن من طي ISOFIX.

8 أدخل وحدة حمل الطفل للأسفل في القاعدة (14)، إذا كان مقيد حركة الطفل المحسن مؤمناً، وسوف تكون أجنحة الحماية الجانبية مفتوحة وسوف يظهر على مؤشر مقيد حركة الطفل اللون الأخضر. (15) يمكن إغلاق جناح حماية الطفل الجانبي البعيد عن الباب كما هو موضح في (16) عندما لا يكون قيد الاستخدام.

⚠️ اسحب وحدة حمل الطفل لكي تتأكد من أنها مغلقة بالمزلاج في القاعدة.

9 تحرير وحدة حمل الطفل، اسحب مقيد حركة الطفل المحسن إلى الأعلى بينما تضغط على زر تحرير وحدة حمل الطفل. (17)

ضبط الارتفاع

فيما يخص مسند الرأس وأشرطة الكتف

تأكد من أن أشرطة شد الكتف مضبوطة على الارتفاع الصحيح. برجاء اختيار الزوج المناسب لمنفتحات أشرطة شد الكتف وفقاً لطول الطفل.

⚠️ أشرطة شد الكتف يجب أن تكون في أقرب وضع من كفي طفلك (18)، لكنها يجب ألا تكون أعلى من خط الكتف. (19)

⚠️ إذا لم تكن أشرطة شد الكتف في الارتفاع الصحيح، فإن الطفل قد يتم قذفه من وحدة تقييد حركة الطفل في حالة التعرض لحادث.

اجذب ذراع ضبط مسند الرأس (20)، حينما تقوم بسحب مسند الرأس إلى الأعلى أو تضغطه إلى الأسفل حتى يتم تثبيته في واحد من 7 أوضاع متوفرة. مواضع مسند الرأس موضحة في (21).

استخدام المنتج

مخاوف التثبيت

مقاس وحدة حمل الطفل مناسب لمقاعد المركبات مقاس "i-Size" الذي يتناسب مع نقاط تثبيت ISOFIX مع القاعدة. (1)

لا تستخدم نظم تقييد حركة الطفل المتجهة للخلف في أماكن الجلوس التي تتواجد فيها وسادة هوائية فعالة مثبتة في الأمام. فقد تحدث الوفاة أو إصابات خطيرة. (2) برجاء الرجوع إليكتيب إرشادات المالك الخاص بالسيارة للمزيد من المعلومات.

لا تقم بتركيب وحدة تقييد حركة الطفل المحسنة على مقاعد السيارة المتجهة إلى الجوانب أو إلى الخلف بالنسبة إلى اتجاه تحرك السيارة. (3)

من الموصى به أن يتم تركيب وحدة تقييد حركة الطفل المحسنة على مقعد السيارة الخلفي. (4)

لا تقم بتركيب وحدة تقييد حركة الطفل على مقاعد السيارة القابلة للحركة أثناء التركيب.

ضبط المقبض

1 المقبض الخاص بوحدة حمل الطفل يمكن ضبطه في 3 أوضاع. (5)

وضع مقعد الطفل. 1- (5)
الوضع المخصص لإجلاس الطفل على المقعد. 2- (5)
الوضع المخصص لنقل المركبة أو اليد أو العربة. 3- (5)

2 لضبط المقبض، اضغط على أزرار المقبض على كلا الجانبين لتحريره. 1- (6)

3 قم بتحرير المقبض حتى تسمع صوت طقة يدل على تثبيته في أي وضع من 3 أوضاع متوفرة. 2- (6)

التثبيت مع القاعدة

1 قم بإخراج رجل التحميل من مقصورة التخزين. (7)

2 قم بإدخال مجاري ISOFIX مع نقاط تثبيت ISOFIX. (8) مجاري ISOFIX يمكنها حماية سطح مقعد السيارة من التمزق. ويمكنها أيضا توجيه وصلات ISOFIX.

3 اضغط على زر ضبط ISOFIX لتتمكن من ضبط وصلات ISOFIX. (9)

4 قم بمحاذاة وصلات ISOFIX مع مجاري ISOFIX، وقم بإدخال كلا من وصلتي ISOFIX في نقاط تثبيت ISOFIX. (10)

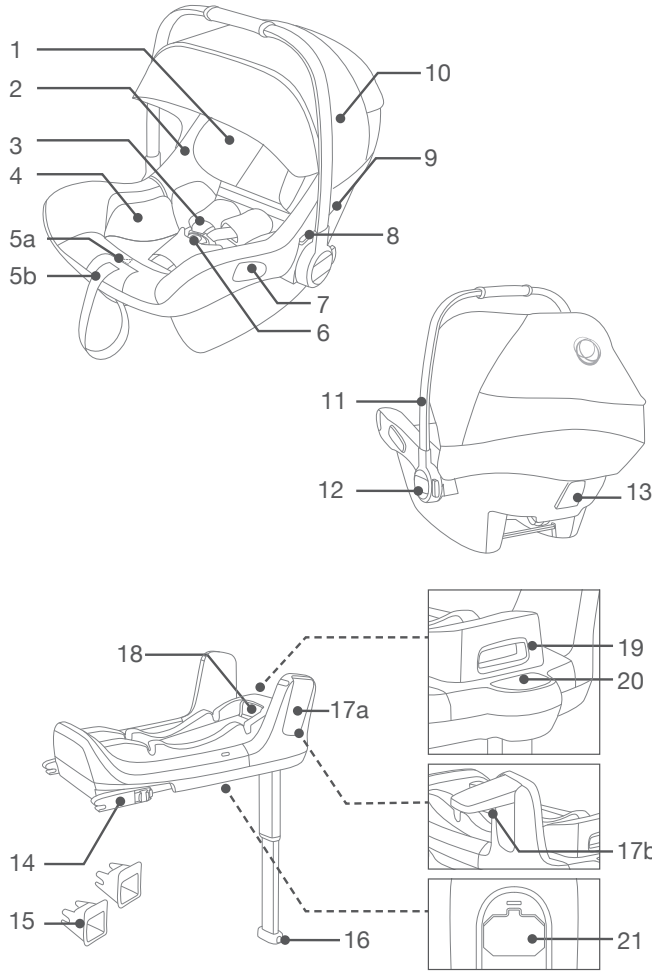
⚠ تأكد من أن كلا من وصلتي ISOFIX مؤممتين جيدا في نقطتي تثبيت ISOFIX. يجب أن تسمع صوت طقتين ويجب أيضا أن يتغير لونا للمؤشر في كلا من وصلتي ISOFIX ويصبح أخضر بالكامل. 1- (10)

⚠ انظر لكي تتأكد من أن القاعدة تم إدخالها بشكل سليم بأن تجذب كلا من وصلتي ISOFIX إلى الخارج.

5 بعد انتهائك من وضع مقعد العربة، قم بتمديد ساق التحميل حتى الأرضية (11). عندما يظهر اللون الأخضر على ساق التحميل فإن ذلك يعني أنه تم إدخالها بشكل سليم، أما الأحمر فمعناه أن إدخالها ليس سليما. 2- (11)

قائمة المكونات

احرص على أن تكون جميع الأجزاء متواجدة بجوارك قبل التجميع. يمكن شراء كل من وحدة حمل الطفل والقاعدة بشكل منفرد. إذا كان هناك أي قطع مفقودة، برجاء الاتصال بشركة Bugabo (انظر صفحة 213 للمزيد من المعلومات). ليس هناك لزوم لأي أدوات للتجميع.



- | | |
|---------------------|--|
| 1. مسند الرأس | 14. وصلة ISOFIX |
| 2. وسادة المقعد | 15. مجاري ISOFIX |
| 3. أشرطة شد الكتف | 16. زر ضبط تحميل الأرجل |
| 4. وليجة الطفل | 17a. أجنحة الحماية من الصدمات الجانبية |
| 5a. تسخير زر التكيف | 17b. أضعاف زر العودة الجناح |
| 5b. ضبط الشريط | 18. زر ISOFIX للضبط |
| 6. مشبك الأمان | 19. زر تحرير وحدة حمل الطفل |
| 7. المجاري الجانبية | 20. مؤشر تحميل الأرجل |
| 8. زر تحرير العربة | 21. موضع دليل الإرشادات |
| 9. مقر تثبيت المظلة | |
| 10. المظلة | |
| 11. مقبض | |
| 12. زر المقبض | |
| 13. المجاري الخلفية | |

تحذير ⚠️ استخدام المقعد ككرسي هزاز

استخدام المقعد ككرسي هزاز.

دائما استخدم نظام التقييد.

لا تستخدم المقعد ككرسي هزاز في حالة جلوسابنك عليه دون دعم.

لا تستخدم المقعد إذا كانت إحدى القطع مكسورة أو مفقودة.

لا تستخدم اكسسوارات أو قطع بديلة غيرالقطع المصادق عليها من المصنع.

من الخطر استخدام هذا المقعد على سطح مرتفع، مثل الطاولة.

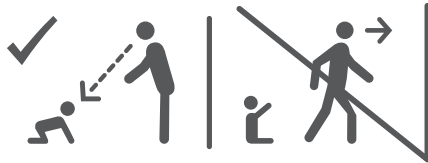
لا تترك طفلك أبدا بدون مراقبة.

هذا المقعد غير معد لفترات طويلة منالنوم.

هذا المقعد ليس بديلا عن المهد أو السرير في حالة في حالة احتياج طفلك إلى النوم، يجب نقله إلى مهدأو سرير ملائم.

لا تترك هذه الوحدة المحسنة لتقييد حركة الطفل، أوأي عناصر أخرى غير مربوطة أو غير مؤمنة في مركبتك نظرا لأنالوحدة المحسنة لتقييد حركة الطفليممكن أن تتطلق بسرعة كبيرة وتسبب إصابات للركابعد الدوران في منحنى شديد أو التوقف المفاجئ أو الاصطدام.

لا تضع أي شيء بخلاف الوسادة الداخلية الموصى بهافي هذه الوحدة المحسنة لتقييد حركة الطفل.



لتجنب مخاطر الإصابات أو الوفاة، لا تقم أبداً بوضع وحدة حمل الطفل على مقعد ذو سطح مرتفع في السيارة مع وجود الطفل بداخلها.

يجب عدم تشحيم أجزاء وحدة تقييد حركة الطفل المحسنة بأي شكل من الأشكال

قم بإزالة وحدة حمل الطفل والقاعدة من مقعد السيارة عندما لا يتم استخدامها بشكل منتظم.

احرص دائماً على تأمين الطفل في مقيد حركة الطفل المحسن، حتى خلال الرحلات قصيرة المسافة، حيث أن رحلات كهذه هي التي تحدث الحوادث عادةً فيها.

لا تقم أبداً بترك طفلك دون مراقبة مع وحدة تقييد حركة الطفل.

لا تقم أبداً باستخدام وحدة مستعملة لتقييد حركة الطفل ووحدة تقييد حركة الطفل التي لا تعلم تاريخها لأنه قد يكون بهاتف قد يتعارض مع سلامة طفلك.

لا تقم أبداً باستخدام أحبال أو بديل آخر في تأمين وحدة تقييد حركة الطفل المحسنة أو بغية تأمين الطفل في وحدة تقييد حركة الطفل المحسنة.

لا يوجد أي مقيد محسن لحركة الطفل يمكنه ضمان الحماية الكاملة من الإصابات في الحوادث. ومع ذلك، فإن الاستخدام السليم لهذه الوحدة المقيدة لحركة الطفل سوف تقلل من احتمال حدوث إصابة خطيرة أو الوفاة لطفلك.

لا تستخدم نظم تقييد حركة الطفل المتجهة للخلف في أماكن الجلوس التي تتواجد فيها وسادة هوائية فعالة مثبتة في الأمام. فقد تحدث الوفاة أو إصابات خطيرة. برجاء الرجوع إليكتيب إرشادات المالك الخاص بالسيارة للمزيد من المعلومات.

لا تقم أبداً بوضع أي أشياء في مساحة وضع الأرجل أمام وحدة القاعدة الخاصة بك.

لا تقم أبداً باستخدام أي نقاط اتصال حاملة للأوزان بخلاف تلك النقاط الموصوفة في الإرشادات أو المشار إليها في وحدة تقييد حركة الطفل.

لا تستمر أبداً في استخدام هذه الوحدة المحسنة لتقييد حركة الطفل، بعد تعرضها لأي نوع من الاصطدام، حتى إذا كان صغيراً. قم باستبدالها على الفور، نظراً لأنه قد يكون بها عطب هيكلي ناتج عن الاصطدام.

لا تقم بتثبيت هذه الوحدة المحسنة لتقييد حركة الطفل بدون اتباع الإرشادات المذكورة في هذا الدليل مخافة أن ذلك قد يعرض طفلك بنسبة كبيرة للإصابة أو الوفاة.

لا تقم بإدخال أية تعديلات على هذه الوحدة المحسنة لتقييد حركة الطفل أو تستخدمها مع عناصر من جهات تصنيع أخرى.

لا تستخدم نظام تقييد حركة الطفل المحسن بدون الأجزاء اللينة.

لا تستخدم هذه الوحدة المحسنة لتقييد حركة الطفل إذا كان بها أجزاء معطوبة أو مفقودة.

لا تلبس طفلك ملابس واسعة/ ذات مقاس كبير نظراً لأن ذلك قد يمنع تثبيت طفلك بشكل سليم وأمن باستخدام شرائط الكتف والشرائط التي توضع بين الساقين.

تحذير ⚠️

الإخفاق في اتباع هذه التحذيرات والتعليمات قد يؤدي إلى خطر الإصابة أو الوفاة.

يجب أن تكون كل الشرائط التي تثبت وحدة حمل الطفل إلى السيارة مشدودة جيدا، بحيث تكون أي ساق تحمّل ملامسة لأرضية السيارة، وكذلك أن تكون كافة الأشرطة التي تقيد حركة الطفل مضبوطة على جسم الطفل ويجب أن تكون هذه الأشرطة غير ملتوية.

أي أمتعة أو أشياء أخرى يمكن أن تسبب إصابات في حالة حدوث تصادم يجب أن تكون مؤمنة بالشكل السليم.

تأكد من أن مقيد حركة الطفل المحسن مثبت بطريقة تضمن عدم تداخل أي جزء منه مع المقاعد المتحركة أو مع تشغيل أبواب السيارة.

قبل حمل وحدة حمل الطفل دوبا، تأكد من أن الطفل مربوط باستخدام حزام تثبيت الطفل، ومن أن مقبض الحمل مغلق بالشكل الصحيح في الوضع الرأسي.

استشر الموزع في المواضيع التي تتعلق بالصيانة والإصلاح واستبدال الأجزاء

التثبيت السليم غير مسموح به إلا باستخدام وصلات ISOFIX.

يجب مواءمة فحص مجاري حركة ISOFIX بحثا عن الأتربة وتنظيفها إذا تطلب الأمر. يتأثر المنتج من جهة الاعتمادية نتيجة تجمع القاذورات والأتربة وفضلات الطعام إلخ.

برجاء التأكد قبل شراء هذه الوحدة المخصصة لتقييد حركة الطفل من أنه يمكن تثبيتها بشكل سليم في مركبتك.

يرجى الحفاظ على عدم ترك هذه الوحدة المخصصة لتقييد حركة الطفل بدون غطاء من القماش يحجبها عن أشعة الشمس، نظرا لأنها قد تصبح ساخنة جدا عند ملامسة جلد الطفل لها. احرص دائما على تحسس الوحدة المخصصة لتقييد حركة الطفل قبل وضع الطفل بها.

عند الرغبة في استخدام وحدة تقييد حركة الطفل بدون وصلات SOFIX أو غفاً للأنحة الأمم المتحدة رقم 129، يجب أن تتوافر في طفلك المتطلبات التالية.

طول الطفل ٤٠ سم - ٨٣ سم / وزن الطفل ≥ 13 كغم (عمر ١٥ شهر تقريبا أو أصغر).

لكي تستطيع استخدام وحدة حمل الطفل مع أحزمة السيارة، يجب أن تتوافر في طفلك المتطلبات التالية.

طول الطفل ٤٠ سم - ٨٣ سم.

وزن الطفل ≥ 13 كغم / عمر الطفل ≥ 15 شهر.

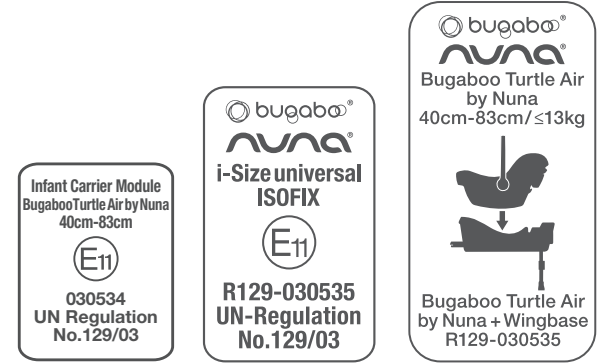
يجب عدم استبدال الأجزاء اللينة في نظام تقييد حركة الطفل المحسن باستخدام أي أجزاء أخرى بخلاف الأجزاء الموصى بها من جانب الجهة المصنعة، نظرا لأن الأجزاء اللينة تشكل جزءا لا يمكن الاستغناء عنه من عوامل حسن أداء وحدة تقييد الحركة.

لتجنب خطر سقوط الطفل إلى الخارج، تأكد دائما من تأمين الطفل باستخدام الشريط عندما يتم وضع الطفل في وحدة حمل الطفل، حتى عندما لا يكون مقيد حركة الطفل غير موضوع في السيارة.

للاستخدام مع القاعدة

4 هذا المنتج هو نظام ذو قياس عالمي محسن مزود بأحزمة أمان من نظام تقييد حركة الطفل. وهو معتمد وفقا للائحة الأمم المتحدة رقم ١٢٩ للاستخدام في المقام الأول مع أماكن الجلوس ذات القياس العالمي حسب التعليمات الصادرة عن منتجي السيارة في دليل المستخدم الخاص بالسيارة.

5 إذا كان لديك شكوك، اتصل إما بالشركة المصنعة لنظام تقييد حركة الطفل أو بائع التجزئة.



1 مقاس i-Size (أنظمة ISOFIX العالمية المتكاملة لتقييد حركة الطفل) هي فئة من نظام تقييد حركة الطفل المحسن المصمم خصيصا للاستخدام في كافة مقاعد الجلوس قياس i-Size الموجودة في السيارات.

2 وفقا للوائح الأمم المتحدة رقم ١٢٩ فإن أنظمة تقييد حركة الأطفال المحسنة مع قاعدة هي أنظمة عالمية تخضع للكود ISOFIX لأنظمة تقييد حركة الطفل وينبغي أن يتمشيها باستخدام وصلات ISOFIX.

3 هذا المنتج هو قياس i-Size من نظام تقييد حركة الطفل. وهو معتمد وفقا للائحة الأمم المتحدة رقم ١٢٩ للاستخدام مع المقاعد قياس i-Size حسب التعليمات الصادرة عن منتجي السيارة في دليل المستخدم الخاص بالسيارة.

متطلبات استخدام الطفل

هذا المنتج مناسب للاستعمال مع الأطفال الذين تتوفر فيهم المتطلبات التالية:

الشكل التوضيحي للتركيب	مناسب للاستخدام مع
	الطفل الذي يبلغ طوله ٤٠ سم - ٨٣ سم / وزن الطفل ≥ 13 كغم (عمر ١٥ شهر تقريبا أو أصغر)
	الطفل الذي يبلغ طوله ٤٠ سم - ٨٣ سم وزن الطفل ≥ 13 كغم (عمر الطفل ≥ 15 شهر)

معلومات عن المنتج

رقم الموديل: _____

زمن التصنيع (التاريخ): _____

تسجيل المنتج

يرجى ملء المعلومات أعلاه. رقم الموديل وتاريخ التصنيع متواجداً في الجزء السفلي من Bugaboo Turtle Air by Nuna.

لتسجيل المنتج الخاص بك برجاء زيارة:

<https://service.bugaboo.com/ProductRegistrationForm>

تعدمت Nuna تطوير وتصنيع هذا المنتج لتلبية معايير الجودة العالية المعتمدة لدى Nuna وولدى Bugaboo. يرجى اصطحاب على وثيقة إثبات الشراء ورقم الموديل وموعد تصنيعه مؤخراً عند اتصالك بنا بشأن الصيانة. سوف تتولى شركة Bugaboo الرد على مكالمتك بشأن Bugaboo Turtle Air by Nuna.

للحصول على معلومات بشأن الضمان على Bugaboo Turtle Air by Nuna، يرجى زيارة: www.bugaboo.com/warranty

خدمة العملاء

إذا كان لديك أي أسئلة، فقد تتمكن من العثور على الإجابة على موقعنا

www.bugaboo.com. إذا كنت بحاجة إلى الاتصال بفريق الخدمة الدولي التابع لنا، فإننا دائماً نشعر بالسعادة عند اتصالك بنا! نحن جاهزون للإجابة على أي أسئلة أو استفسارات أو تعليقات قد تكون لديكم فيما يتعلق بمنتجاتنا وخدماتنا. لا تتردد في الاتصال بنا. تساعدنا ملاحظتكم في إضافة المزيد من التحسينات إلى منتجاتنا وخدماتنا.

تفضل باختيار طريقة الاتصال المفضلة لديك:

الهاتف +31-207189531

البريد الإلكتروني service@bugaboo.com

نموذج الاتصال عبر www.bugaboo.com/support, bugaboo.com

المحتويات

213	معلومات عن المنتج
213	تسجيل المنتج
213	خدمة العملاء
212	متطلبات استخدام الطفل
211	للاستخدام مع القاعدة
209	تحذيرات
203	قائمة المكونات
201	استخدام المنتج
193	التنظيف والصيانة

Magyar (HU)	2
Slovenský (SK)	26
Slovenščina (SL)	50
Eesti keel (ET)	74
Română (RO)	96
Српски (SR)	120
Latviešu valoda (LV)	144
Türk (TR)	168
العربية (AR)	192

هام جدا!
احتفظ بهذه الإرشادات
للرجوع إليها مستقبلا:
برجاء قراءتها بعناية

