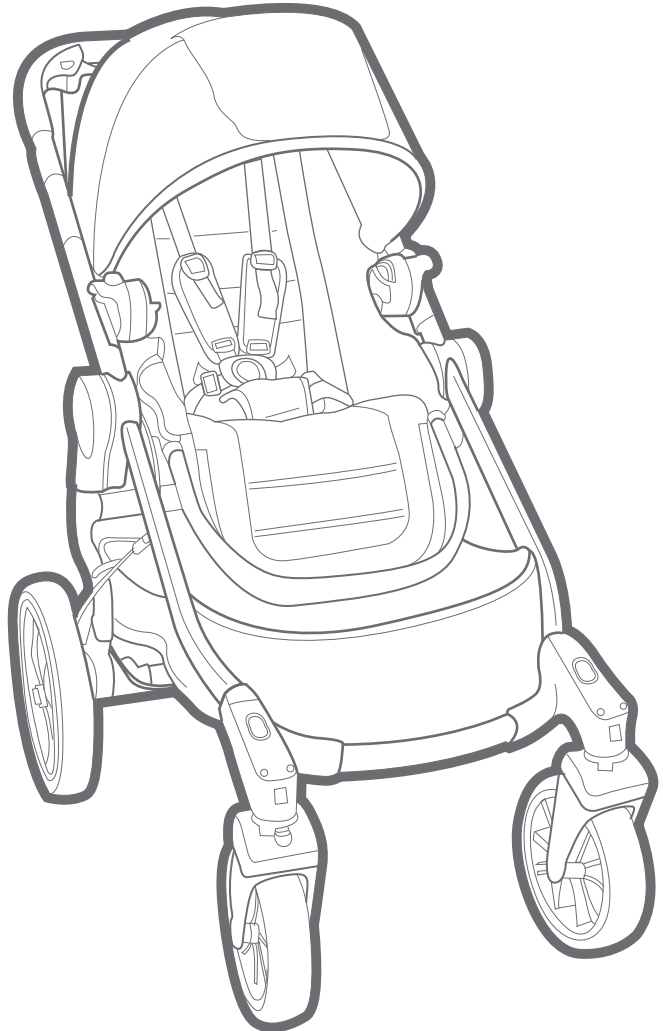




# city select<sup>®</sup> LUX Stroller



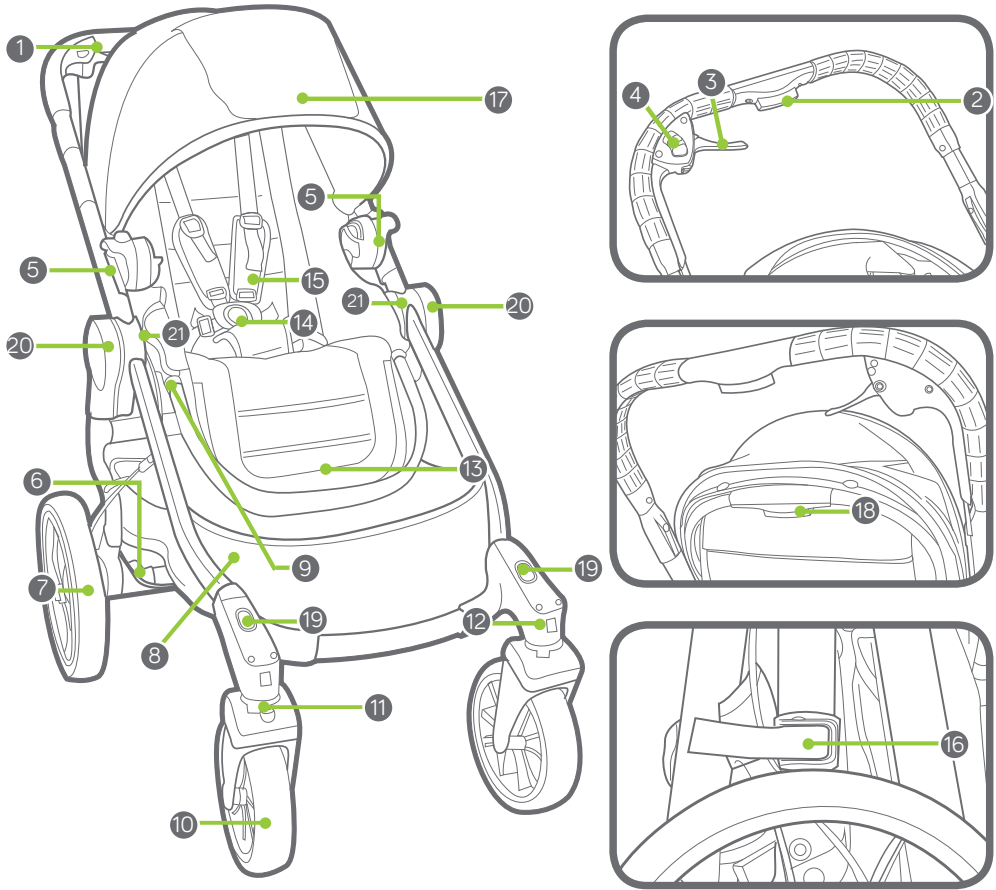
ASSEMBLY INSTRUCTIONS  
INSTRUCTIONS D'ASSEMBLAGE  
INSTRUCCIONES DE MONTAJE  
ISTRUZIONI PER IL MONTAGGIO  
GEBRAUCHSANLEITUNG  
NÁVOD K SESTAVENÍ  
SAMLINGSANVISNINGER  
ΚΟΚΟΑΜΙΣΟΗJΕΕΤ  
**ΟΔΗΓΙΕΣ ΣΥΝΑΡΜΟΛΟΓΗΣΗΣ**  
UPUTE ZA SASTAVLJANJE  
ÖSSZESZERELÉSI UTASÍTÁSOK  
MONTAGE-INSTRUCTIES  
MONTERINGSANVISNING  
INSTRUKCJA MONTAŻU  
INSTRUÇÕES DE MONTAGEM  
**INSTRUCȚIUNI DE ASAMBLARE**  
**ИНСТРУКЦИИ ПО СБОРКЕ**  
UPUTSTVA ZA SASTAVLJANJE  
NÁVOD NA MONTÁŽ  
NAVODILA ZA SESTAVO  
MONTERINGSINSTRUKTIONER  
MONTAJ TALÍMATLARI  
إرشادات التجميع

©2017 baby jogger PD349713E 6/17

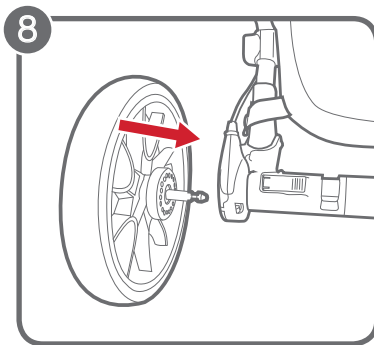
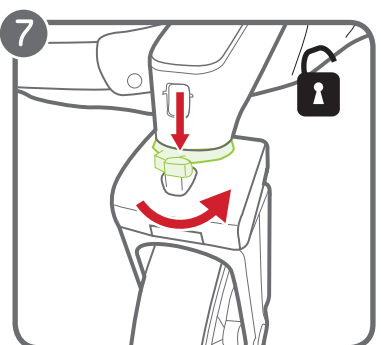
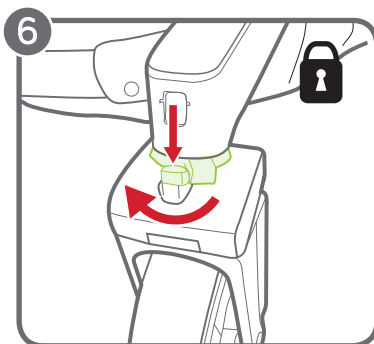
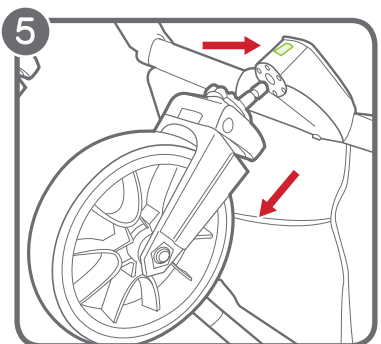
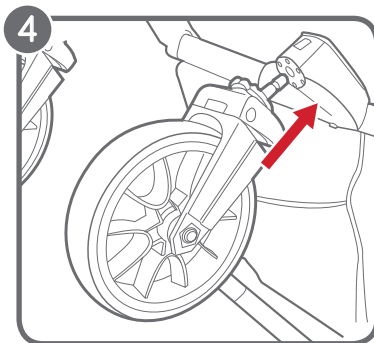
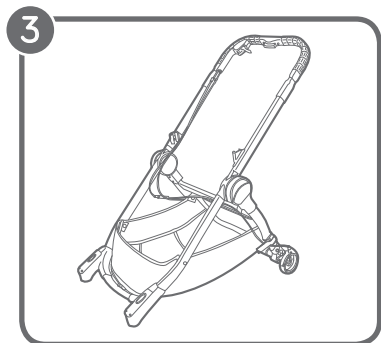
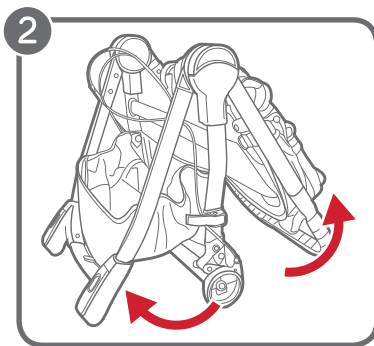
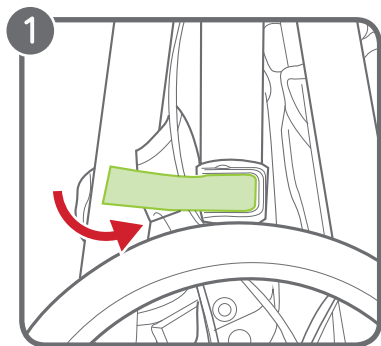
## IMPORTANT

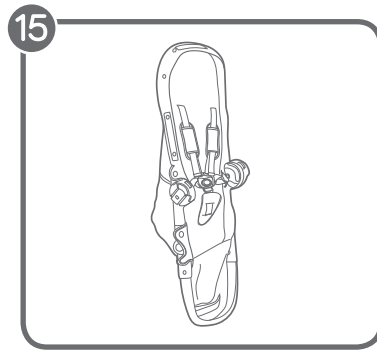
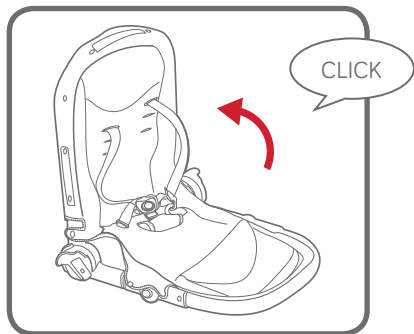
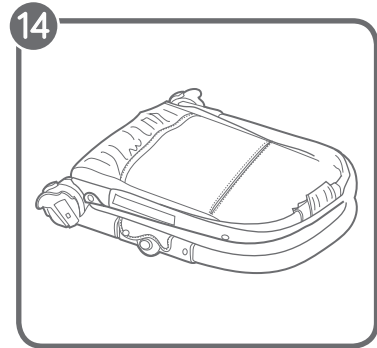
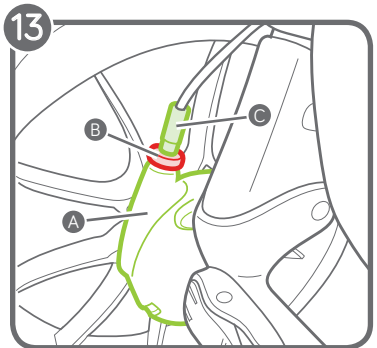
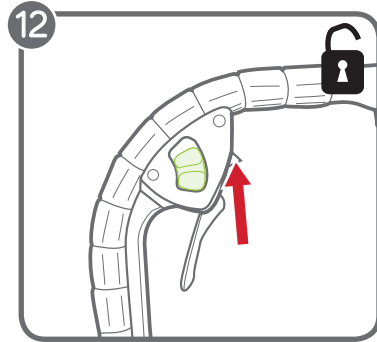
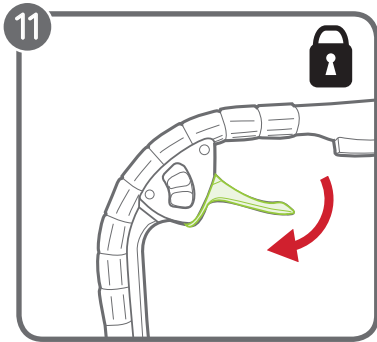
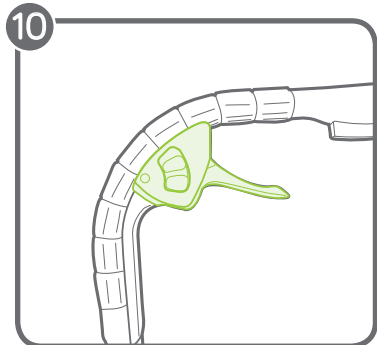
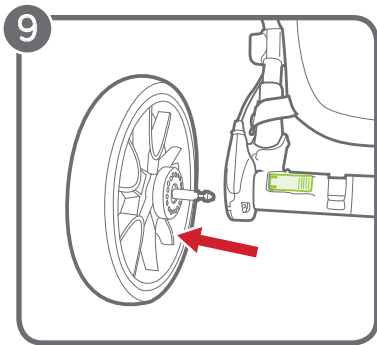
Keep these instructions for future reference.  
Your child's safety may be affected if you  
do not follow these instructions.

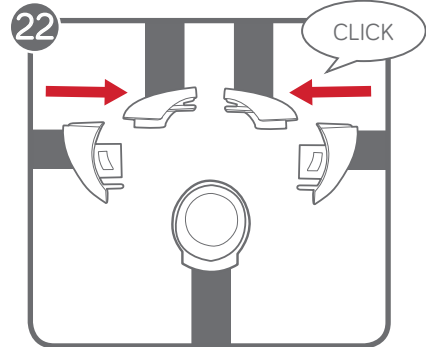
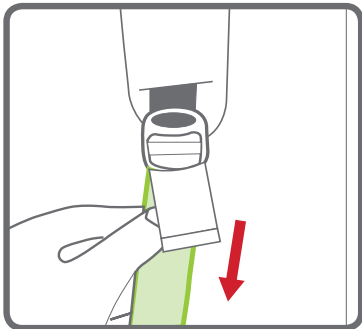
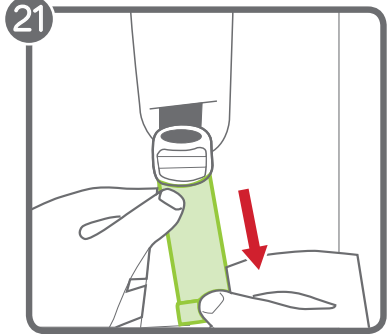
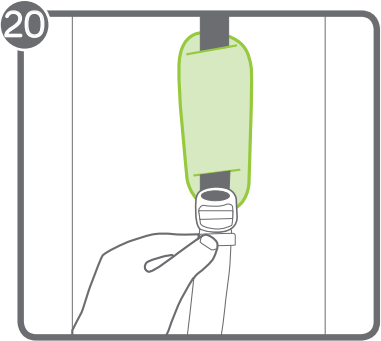
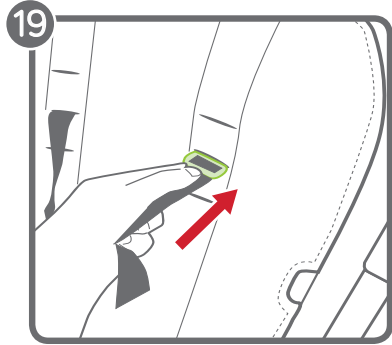
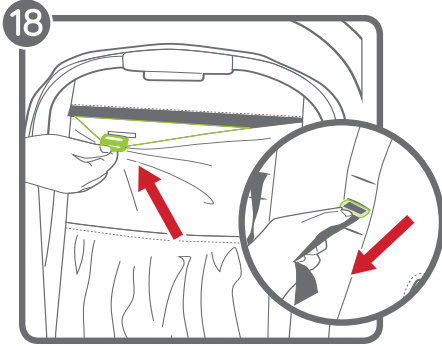
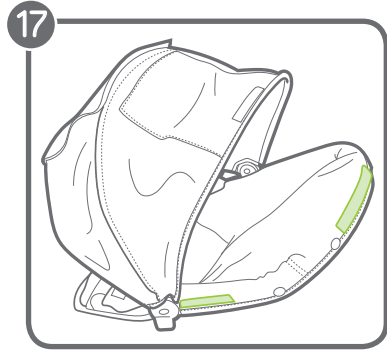
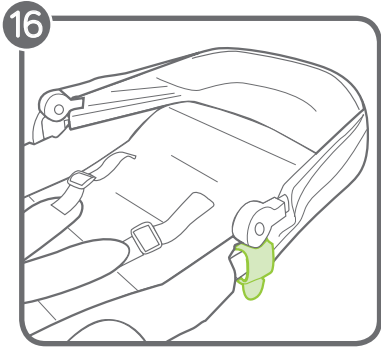
babyjogger.com

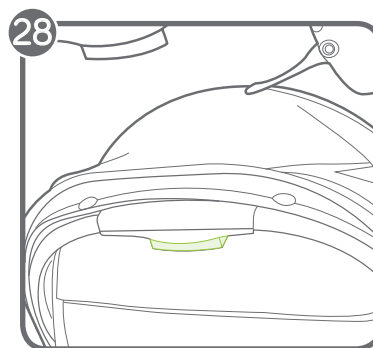
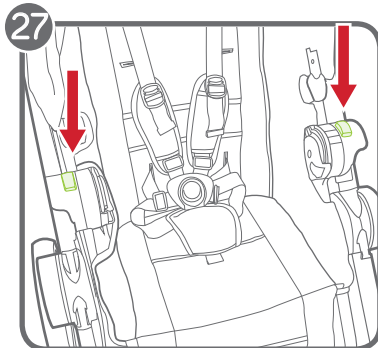
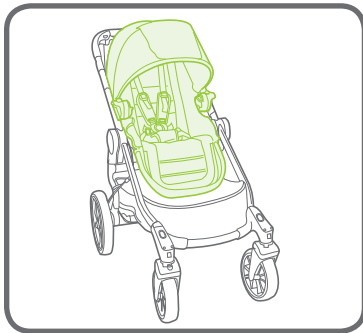
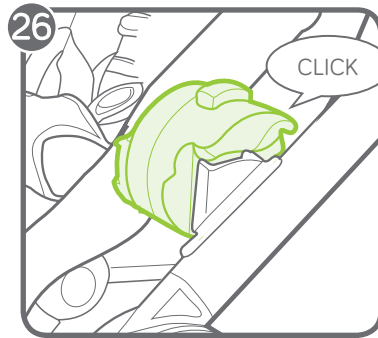
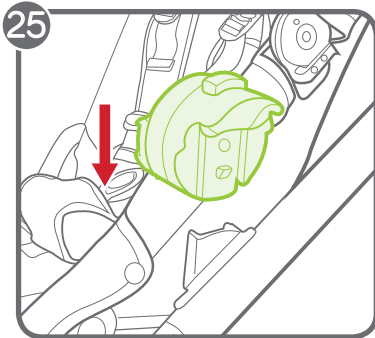
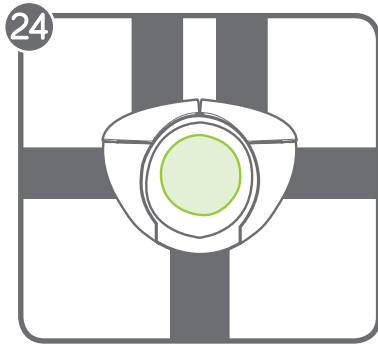
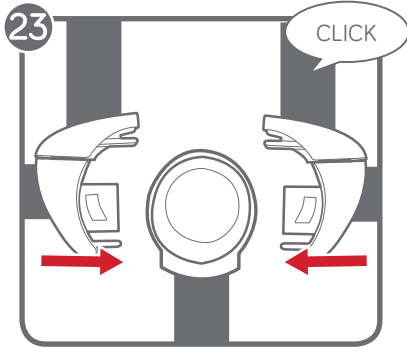


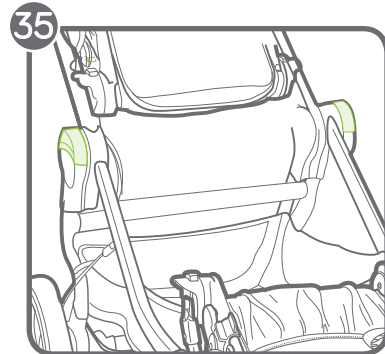
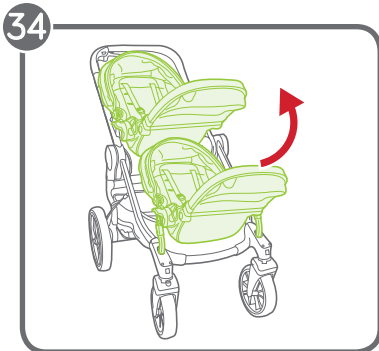
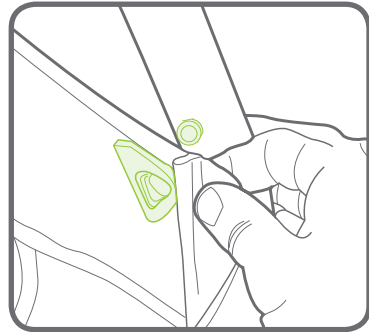
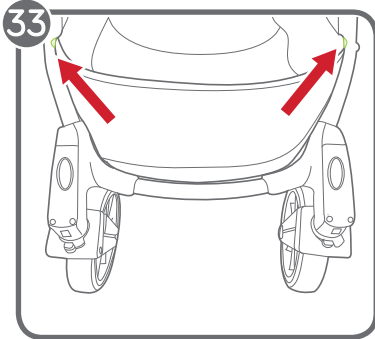
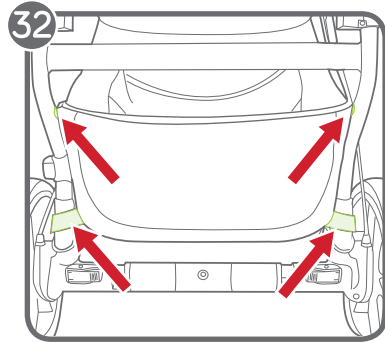
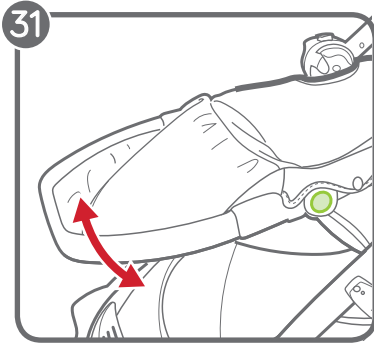
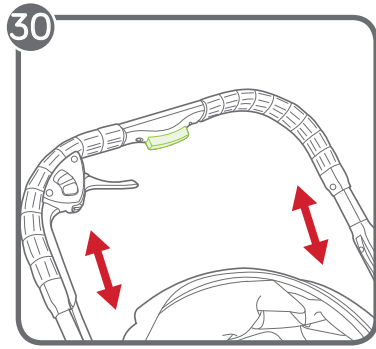
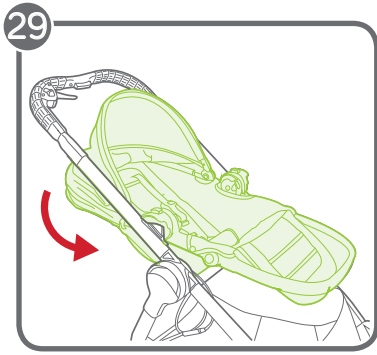
- |    |                              |    |                                 |
|----|------------------------------|----|---------------------------------|
| 1  | Handlebar                    | 12 | Front Wheel Release Button      |
| 2  | Handlebar Adjustment Button  | 13 | Footwell                        |
| 3  | Brake Lever                  | 14 | Harness Buckle                  |
| 4  | Parking Brake Release Button | 15 | Harness Pads                    |
| 5  | Seat Mounting Bracket        | 16 | Storage Lock                    |
| 6  | Rear Wheel Release Button    | 17 | Canopy                          |
| 7  | Rear Wheel                   | 18 | Seat Recline Button             |
| 8  | Storage Basket               | 19 | 2nd Seat Adapter Mounting Slots |
| 9  | Footwell Adjustment Button   | 20 | Quick Fold Handles              |
| 10 | Front Wheel                  | 21 | Accessory Mounting Slots        |
| 11 | Swivel/Lock                  |    |                                 |

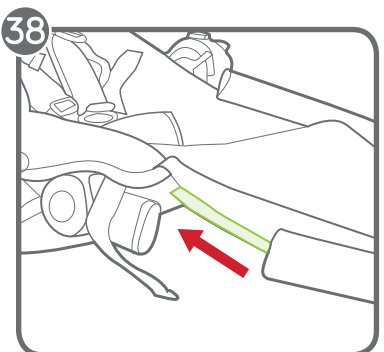
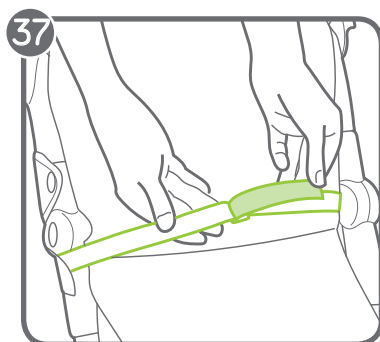
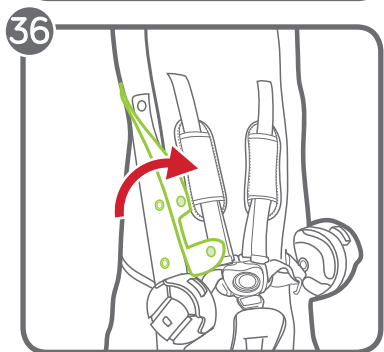
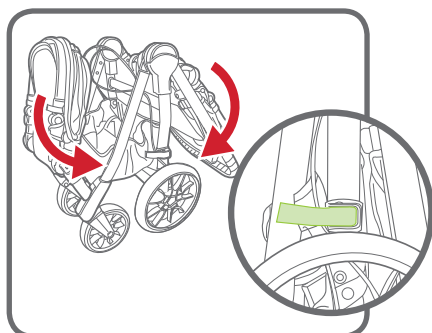
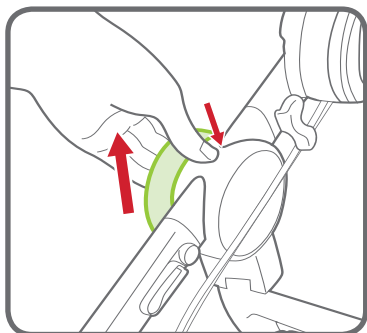














# WARNING

**IMPORTANT** - Keep these instructions for future reference.

Read these instructions carefully before use. Your child's safety may be affected if you do not follow these instructions.

## SINGLE STROLLER

- This stroller seats one passenger.
- ⚠ **WARNING:** This seat unit is not suitable for children under 6 months. Maximum weight is 15 kg; maximum height is 101.6 cm.
- Total weight load recommended for this stroller is 26 kg. 15 kg in the seat, 1 kg in the seat back pocket, and 7 kg in the basket.
- ⚠ **WARNING:** This stroller is not suitable for running or skating.
- ⚠ **WARNING:** Never leave your child unattended.
- ⚠ **WARNING:** Always use the restraint system.
- ⚠ **WARNING:** Check that the pram body or seat unit attachment or car seat attachment devices are correctly engaged before use.
- ⚠ **WARNING:** To avoid injury, ensure that your child is kept away when unfolding and folding this product.
- ⚠ **WARNING:** Lock the brakes before loading and unloading your child and whenever the stroller is not moving.
- ⚠ **WARNING:** Ensure that all the locking devices are engaged before use.
- ⚠ **WARNING:** Do not let your child play with this product.
- ⚠ **WARNING:** Parcels or accessory items, or both, placed on the unit may cause the unit to become unstable.
- ⚠ **WARNING:** Any load attached to the handle and/or on the back of the backrest and/or on the sides of the vehicle will affect the stability of the vehicle.
- This seat should be used in the most reclined position until a child can sit up unaided, roll over, or push itself up on it's hands and knees.
- Stroller is not meant to be used for transporting children up or down stairs or escalators. Damage resulting to stroller will not be covered under warranty.
- This stroller does not replace a cot or a bed. Should your child need to sleep, then it should be placed in a suitable pram body, cot, or bed.
- Accessories which are not approved by Baby Jogger shall not be used.
- Watch out for cars - never assume that a driver can see you and your child.
- The passenger shall remain seated (no standing in the stroller).
- Use only replacement parts supplied or approved by Baby Jogger.

## FRAME

- 1 Unpack the stroller frame from the box and set the wheels aside. Unlock the stroller by pulling the Storage Lock Lever.
  - 2 Lift the Handlebar away from the lower frame. The stroller will click into place.
  - 3 Place the stroller in the upright position.
- ⚠️ WARNING:** Ensure that all the locking devices are engaged before use.

## FRONT WHEEL

- 4 Installation
  - Lay stroller on its back so the Handlebar is resting on the floor.
  - Attach the Front Wheel by sliding it into the front wheel mount until it clicks. Gently pull on the Front Wheel to make sure it is properly attached.
- 5 Removal
  - While pressing the front wheel release button, gently slide the Front Wheel out of the front wheel mount.

## SWIVEL FEATURE

- 6 Press the Swivel Lock button down and slide the Swivel Lock to the left to lock the front wheel assembly in a fixed position for long distance strolling.
- 7 Press the Swivel Lock button down and slide the Swivel Lock to the right to allow the front wheel assembly to swivel.

**⚠️ WARNING:** When loading and unloading child, lock the front wheel in a fixed position. Although the front wheel of your stroller locks, it is not intended for jogging or exercise purposes.

## REAR WHEELS

- 8 Installation
  - Align the Rear Wheel axle with the wheel mount on the stroller frame and insert it into the wheel mount until it clicks into place.
  - Gently pull on the Rear Wheel to make sure it is properly attached.

## 9 Removal

- While pressing the Wheel Release Button, gently slide the Rear Wheel out of the wheel mount.

## BRAKE

- 10 To engage the brake squeeze on the brake lever.
  - 11 To Lock the Parking Brakes: gently push the Brake Lever forward until it clicks into place.
  - 12 To Release the Brakes: Pull the Parking brake release button towards you.
- ⚠️ WARNING:** Lock the brakes before loading and unloading your child and whenever the stroller is not moving.
- 13 If the rear wheels are not breaking together evenly, you may adjust the stroller's brakes. The brake for the wheel that continues to spin even while breaking must be tightened: Locate the adjuster on the wheel hub (A) with the loose brakes. Loosen the brake's short ring (B) to adjust the long cylinder ring (C). Unscrew the long cylinder ring further from the wheel hub (A) to tighten the cable. (Please do not over tighten!) To lock the rings, tighten the short ring (B) against the wheel hub (A) while holding the long cylinder ring (C) in place. Squeeze the Hand Brake gradually to give you better control over your stroller.

## SEAT - UNFOLD THE SEAT

- 14 Holding the footwell and the top of the seat, open the seat.
- 15 The seat will lock into its open position.

## CANOPY

- 16 Attach the canopy to the frame: Attach the Canopy's brackets to the sides of the seat frame.
- 17 Attach the 2 fastening strips on the canopy to the top of the seat.

## ADJUSTING SAFETY HARNESS

- 18 From the back of the seat, undo the fastening strip and open the pocket to locate the plastic square stopper. Turn stopper and pass through the openings in the PE board and seat fabric.

- 19 Reinsert stopper at seat opening closest to child's shoulders. Pass back through seat fabric and PE board. Tug on strap to ensure stopper is locked. Repeat on both sides.

**⚠ WARNING:** Avoid serious injury from falling or sliding out. Always properly adjust and fasten safety harness.

**⚠ WARNING:** Always use the crotch strap in combination with the shoulder straps and waist belt.

- 20 Slide the Harness Pads up to access plastic guide on strap.  
21 Hold the plastic guide and pull strap to tighten or loosen.

#### USING SAFETY HARNESS

- 22 Insert side strap buckle into harness buckle on both sides.  
23 Insert connected harness and side strap buckles into the sides of the crotch buckle.  
24 Press button on crotch buckle to release.

#### PLACE THE SEAT ON THE FRAME

- 25 Align the Accessory Mounting Brackets with the mounting brackets on the stroller frame.  
26 Slide the seat into the brackets until it clicks into place. Ensure that both sides of the seat are securely fastened into the frame before use.

NOTE: The seat may be installed either forward-facing or rear-facing.

#### REMOVE THE SEAT

- 27 Press gray tabs on Mounting Brackets and pull up.

**⚠ WARNING:** Always remove your child from the seat before removing the seat from the frame.

#### RECLINE THE SEAT

- 28 Squeeze the Seat Recline Button located at the top of the seat, behind the canopy.  
29 Pull down to lower the seat and pull up to raise the seat until it clicks into the desired position.

#### HANDLE HEIGHT ADJUSTMENT

- 30 Squeeze the Handle Adjustment Button and slide the handle up or down to the desired length.

#### ADJUSTABLE FOOTWELL

- 31 Adjust the angle: Press the Adjustment Buttons on the Footwell and move it up or down until it clicks into the desired position.

#### BASKET REMOVAL

- 32 Unfasten the top snaps of the Basket around the middle support bar of the frame. Then unfasten the bottom snaps around the side support bars of the frame.  
33 Unhook the top front plastic loop from over the metal knob on the back of the frame. Repeat for the opposite side.

#### FOLDING

- Remove your child from the seat.
  - The stroller may be folded with or without the seat attached, and forward-facing or rear-facing.
  - When folding rear-facing, it is recommended that the seat be reclined all the way before folding.
  - Always recline the seat to its most upright position and place it in the forward-facing for the most compact fold.
- 34 Pull up on the seats footwell and fold the seat upwards.  
35 Pull up on the quick fold handles and let the frame collapse. Push down on the stroller frame with your thumb to make lifting the quick fold handles easier. Make sure the storage lock lever clicks into place.

#### REMOVING THE SEAT FABRIC

- 36 Unsnap the seat fabric from the seat frame.  
37 From the back of the seat, unfasten the hook-and-loop and slide the strap through the D-ring.  
38 Press the Footwell Adjustment Buttons and pull out on the Footwell to remove the footwell bar from the seat frame. Pull the seat fabric out of the channel in the Footwell bar.

# CARE AND MAINTENANCE

To preserve the longevity of your stroller, it is important to perform simple, regular maintenance. From time to time, make sure that the joints and folding areas are still in good condition. If you hear any squeaking or feel tension, you can take your stroller to a local bike shop for added lubrication. All repairs should only be carried out by an authorized dealer.

## WASHING

### Seat Fabric

- You can machine wash your stroller's seat in cold water with a mild detergent.
- Be sure to remove the metal frame and PE boards from the seat before washing.
- Do not use solvents, caustic or abrasive cleaning materials.
- To minimize shrinkage, simply reattach the seat to the frame to dry.
- Do not press, iron, dry clean, tumble dry or wring the fabric.
- If the seat covers need to be replaced, only use parts from a Baby Jogger Authorized Dealer. They are the only ones that are guaranteed to have been safety tested and designed to fit this seat.

### Plastic/Metal Parts

- Wipe clean using a mild soap and warm water.
- You must not remove, dismantle or alter any part of the seat folding mechanism or brakes.

### Wheel Care

- The wheels can be cleaned using a damp cloth. They will need to be dried completely with a soft towel or cloth.

## STORING

- Sunshine can fade seat fabric and dry out tires, so storing your stroller indoors will prolong its good looks.
- DO NOT store outside.
- Ensure that the stroller is dry before storing for prolonged periods.
- Always store the stroller in a dry environment.
- Store the stroller in a safe place when not in use (i.e. where children cannot play with it).
- DO NOT place heavy objects on top of the stroller.
- DO NOT store the stroller near a direct heat source such as a radiator or fire.

# REGISTER YOUR STROLLER ONLINE AT [www.babyjogger.com/register](http://www.babyjogger.com/register)

## **Baby Jogger's Limited Lifetime Warranty:**

Baby Jogger warrants that the frame is free of manufacturer defects for the lifetime of the product. Manufacturer's defects include but are not limited to the breaking of welds and frame tube damage. Textile or soft side materials and all other components shall be warranted for one year from the date of purchase (except for tubes and tires). Proof of purchase is required to make a warranty claim and the warranty is only extended to the original purchaser.

### THIS WARRANTY DOES NOT COVER:

- Normal wear and tear
- Corrosion or rust
- Incorrect assembly, or the installation of third party parts or accessories not compatible with the original design
- Accidental or intentional damage, abuse or neglect, or use on stairs or escalators.
- Commercial use
- Improper storage/care of the unit

This warranty specifically excludes claims for indirect, incidental, or consequential damages. The implied warranties of merchantability and fitness for a particular purpose is according to the specific warranty period for this model unit at time of purchase. Some states do not allow the exclusion or limitation of incidental or consequential damages, so the above limitations or exclusions may not apply to you. This warranty gives you specific legal rights, and you may also have other rights which vary from state to state. To know what your legal rights are in your state, consult your local or state consumer affairs office or your State's Attorney General.

If your stroller was purchased outside of the United States, please contact the distributor in the country nearest you. Their contact information can be found on our website at <http://www.babyjogger.com>. Claims for warranty outside of the country in which the product was purchased may incur shipping charges.

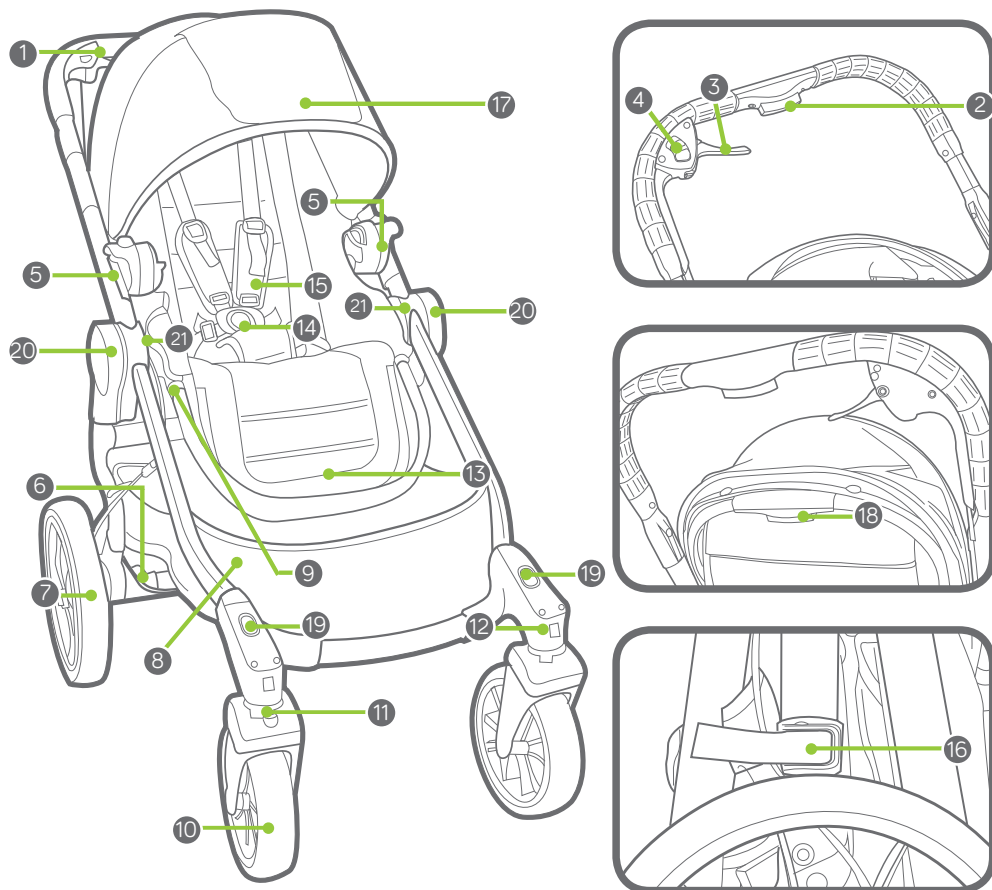


NOTE: When contacting Baby Jogger distributor regarding your stroller, please have your stroller's serial number and manufacturing date ready. It can be found on the right fold mechanism.

### Customer Care Contact Information:

E-Mail: [Customerservice@babyjogger.com](mailto:Customerservice@babyjogger.com)  
 Call: 1-800-241-1848 8:30am - 5:30pm EST, Mon - Fri.  
 Fax: 1-804-262-6277  
 Mail: Baby Jogger, LLC  
 4110 Premier Drive  
 High Point, NC 27265

[www.babyjogger.com](http://www.babyjogger.com)



- |    |  |    |  |
|----|--|----|--|
| 1  | Guidon   | 12 | Bouton de déblocage de roue avant          |
| 2  | Bouton de réglage du guidon                    | 13 | Repose-pieds                               |
| 3  | Levier de frein                                | 14 | Boucle de harnais                          |
| 4  | Bouton de desserrage de frein de stationnement | 15 | Coussinets de harnais                      |
| 5  | Support de montage de siège                    | 16 | Verrou de rangement                        |
| 6  | Bouton de déblocage de roue arrière            | 17 | Capote                                     |
| 7  | Roue arrière                                   | 18 | Bouton d'inclinaison de siège              |
| 8  | Panier de rangement                            | 19 | Fentes de montage d'adaptateur de 2è siège |
| 9  | Bouton de réglage du repose-pieds              | 20 | Poignées à pliage rapide                   |
| 10 | Roue avant                                     | 21 | Fentes de montage pour accessoires         |
| 11 | Pivot/Verrou                                   |    |  |

# MISE EN GARDE

**IMPORTANT** - Conservez ces instructions pour référence ultérieure.  
Lisez soigneusement ces instructions avant toute utilisation. La sécurité de votre enfant risque d'être affectée si vous ne suivez pas ces instructions.

## POUSSETTE SIMPLE

- Cette poussette ne peut accommoder qu'un seul enfant.
- ⚠ AVERTISSEMENT** Cette unité de siège ne convient pas aux enfants âgés de moins de 6 mois. Le poids maximum est de 15 kg, la hauteur maximale est de 101,6 cm.
- La charge de poids totale recommandée pour cette poussette est de 28 kg. 15 kg dans le siège, 1 kg dans la poche arrière du siège et 7 kg dans le panier.
- ⚠ AVERTISSEMENT** : Ce produit n'est pas adapté pour faire de la course ou du patinage.
- ⚠ AVERTISSEMENT** : Ne laissez jamais un enfant sans surveillance.
- ⚠ AVERTISSEMENT** : Utilisez toujours le système de sangle.
- ⚠ AVERTISSEMENT** : Vérifiez que le berceau ou les dispositifs d'attache du siège ou du siège-auto sont correctement enclenchés avant toute utilisation.
- ⚠ AVERTISSEMENT** : Pour éviter les blessures, veillez à ce que l'enfant soit maintenu à l'écart lorsque vous dépliez et pliez ce produit.
- ⚠ AVERTISSEMENT** : Verrouillez les freins avant de mettre l'enfant dans ou de le sortir de la poussette, et lorsque la poussette ne bouge pas.
- ⚠ AVERTISSEMENT** : Vérifiez que tous les dispositifs de verrouillage sont bien enclenchés avant toute utilisation.
- ⚠ AVERTISSEMENT** : Ne laissez pas un enfant jouer avec ce produit.
- ⚠ AVERTISSEMENT** : Les paquets ou accessoires, ou les deux, placés sur l'unité peuvent rendre l'unité instable.
- ⚠ AVERTISSEMENT** : Toute charge fixée à la poignée, à l'arrière du siège ou sur les côtés de la poussette nuira à la stabilité du produit.
- Ce siège doit être utilisé dans la position la plus inclinée jusqu'à ce qu'un enfant puisse s'asseoir sans aide, se retourner sur lui-même ou se relever sur les mains et les genoux.
- La poussette n'est pas destinée à être utilisée pour transporter les enfants dans les escaliers ou les escalators. Les dommages résultant sur la poussette ne seront pas couverts par la garantie.
- Cette poussette ne remplace pas un berceau ou un lit. Si votre enfant a besoin de dormir, il doit être placé dans un landau, berceau ou lit approprié.
- Les accessoires qui ne sont pas approuvés par Baby Jogger ne devront pas être utilisés.
- Faites attention aux voitures - ne supposez jamais qu'un conducteur peut vous voir, vous et votre enfant.
- Le passager devra rester assis (pas de position debout dans la poussette).
- Utilisez uniquement des pièces de rechange fournies ou approuvées par Baby Jogger.

## CADRE

- 1 Déballez le cadre de poussette du carton et mettez les roues de côté. Déverrouillez la poussette en tirant sur le levier de verrou de rangement.
  - 2 Soulevez le guidon en l'écartant du cadre inférieur. La poussette s'enclenche en place.
  - 3 Placez la poussette en position verticale.
- ⚠️ AVERTISSEMENT :** Vérifiez que tous les dispositifs de verrouillage sont bien enclenchés avant toute utilisation.

## ROUE AVANT

### 4 Installation

- Déposez la poussette sur son dos de sorte que le guidon repose sur le sol.
- Attachez la roue avant en la faisant glisser dans la monture de roue avant jusqu'à ce qu'elle s'enclenche. Tirez délicatement sur la roue avant pour vous assurer qu'elle est correctement attachée.

### 5 Dépose

- Tout en appuyant sur le bouton de déblocage de la roue avant, faites délicatement glisser la roue avant hors de la monture de roue avant.

## FONCTION PIVOTANTE

- 6 Appuyez sur le bouton de verrou pivot et faites glisser le verrou pivot vers la gauche pour verrouiller l'ensemble de roue avant en position fixe pour une promenade de longue distance.
- 7 Appuyez sur le bouton de verrou pivot et faites glisser le verrou pivot vers la droite pour permettre à l'ensemble de roue avant de pivoter.

- ⚠️ AVERTISSEMENT :** Pour mettre l'enfant dans la poussette ou le faire sortir, verrouillez la roue avant en position fixe. Bien que la roue avant de votre poussette se verrouille, elle n'est pas prévue pour faire du jogging ou des exercices.

## ROUES ARRIÈRE

### 8 Installation

- Alignez l'essieu de roue arrière sur la monture de roue sur le cadre de la poussette et insérez-le dans la monture de roue jusqu'à ce qu'il s'enclenche en place.
- Tirez délicatement sur la roue arrière pour vous assurer qu'elle est correctement attachée.

### 9 Dépose

- Tout en appuyant sur le bouton de déblocage de roue, faites délicatement glisser la roue arrière hors de la monture de roue.

## FREIN

- 10 Pour enclencher le frein, appuyez sur le levier de frein..
  - 11 Pour bloquer les freins de stationnement : appuyez délicatement sur le levier de frein vers l'avant jusqu'à ce qu'il s'enclenche en place.
  - 12 Pour desserrer les freins de stationnement : tirez le bouton de desserrage de frein de stationnement vers vous.
- ⚠️ AVERTISSEMENT :** Verrouillez les freins avant de mettre l'enfant dans ou de le sortir de la poussette, et lorsque la poussette ne bouge pas.
- 13 Si les roues arrière ne freinent pas ensemble uniformément, vous pouvez ajuster les freins de la poussette. Le frein de la roue qui continue de tourner même pendant le freinage doit être resserré : localisez l'ajusteur sur le moyeu de roue (A) avec les freins desserrés. Desserrez l'anneau court du frein (B) pour ajuster l'anneau long du cylindre (C). Dévissez l'anneau long du cylindre loin du moyeu de roue (A) pour serrer le câble. (Veillez à ne pas trop serrer !) Pour verrouiller les anneaux, serrez l'anneau court (B) contre le moyeu de roue (A) tout en maintenant l'anneau long de cylindre (C) en place. Serrez le frein à main graduellement pour mieux contrôler la poussette.

## SIÈGE - DÉPLIEZ LE SIÈGE

- 14 Tout en tenant le repose-pieds et le haut du siège, ouvrez le siège.
- 15 Le siège se bloquera en position ouverte.

## CAPOTE

- 16 Attachez la capote au cadre : attachez les supports de capote sur les côtés du cadre du siège.
- 17 Attachez les 2 bandes de fixation sur la capote sur le haut du siège.

## RÉGLAGE DU HARNAIS DE SÉCURITÉ

- 18 À partir de l'arrière du siège, détachez la bande de fixation et ouvrez la poche pour localiser l'obturateur carré en plastique. Faites tourner l'obturateur et passez-le à travers les ouvertures dans le panneau en polyéthylène et le tissu du siège.
- 19 Réinsérez l'obturateur à l'ouverture du siège le plus près des épaules de l'enfant. Faites repasser par le tissu du siège et le panneau en polyéthylène. Tirez sur la sangle pour vous assurer que l'obturateur est verrouillé. Répétez des deux côtés.



**⚠** AVERTISSEMENT : Évitez les risques d'accidents graves dus à une chute ou à une glissade hors du siège. Réglez et fixez toujours correctement le harnais de sécurité.

**⚠** AVERTISSEMENT : Utilisez toujours la sangle de l'entre-jambe en association avec les sangles des épaules et la ceinture.

20 Faites glisser les coussinets de harnais vers le haut pour accéder au guide en plastique sur la sangle.

21 Tenez le guide en plastique et tirez la sangle pour serrer ou desserrer.

#### UTILISATION DU HARNAIS DE SÉCURITÉ

22 Insérez la boucle de sangle latérale dans la boucle du harnais des deux côtés.

23 Insérez les boucles du harnais et de la sangle latérale connectées dans les côtés de la boucle d'entre-jambe.

24 Appuyez sur le bouton sur la boucle d'entre-jambe pour débloquer.

#### PLACEMENT DU SIÈGE SUR LE CADRE

25 Alignez les supports de montage d'accessoires sur les supports de montage sur le cadre de la poussette.

26 Faites glisser le siège dans les supports jusqu'à ce qu'il s'enclenche en place. Veillez à ce que les deux côtés du siège soient bien fixés dans le cadre avant toute utilisation.

REMARQUE : Le siège peut être installé soit orienté vers l'avant soit orienté vers l'arrière.

#### DÉPOSE DU SIÈGE

27 Appuyez sur les pattes grises sur les supports de montage et tirez vers le haut.

**⚠** AVERTISSEMENT : Sortez toujours l'enfant du siège avant de retirer le siège du cadre.

#### INCLINAISON DU SIÈGE

28 Relevez le levier d'inclinaison du siège situé sur le haut du siège, derrière la capote.

29 Appuyez pour abaisser le siège et relever pour élever le siège jusqu'à ce qu'il s'enclenche dans la position désirée.

#### RÉGLAGE DE HAUTEUR DU GUIDON

30 Appuyez sur le bouton de réglage de guidon et faites glisser la poignée vers le haut ou vers le bas à la longueur désirée.

#### REPOSE-PIEDS RÉGLABLE

31 Réglez l'angle : appuyez sur les boutons de réglage sur le repose-pieds et déplacez-le vers le haut ou vers le bas jusqu'à ce qu'il s'enclenche dans la position désirée.

#### DÉPOSE DU PANIER

32 Détachez les agrafes supérieures du panier sur la barre de support intermédiaire du cadre. Ensuite, détachez les agrafes inférieures sur les barres de support latérales du cadre.

33 Décrochez la boucle en plastique avant supérieure du dessus du bouton en métal sur le devant du cadre. Répétez de l'autre côté.

#### PLIAGE

- Retirez l'enfant du siège.

- La poussette peut être pliée avec ou sans le siège attaché, et orienté vers l'avant ou vers l'arrière.

- Lors du pliage avec le siège orienté vers l'arrière, il est recommandé d'incliner complètement le siège avant de plier la poussette.

- Inclinez toujours le siège dans sa position la plus droite et placez-le en position faisant face vers l'avant pour un pliage des plus compacts.

34 Relevez le repose-pieds du siège et pliez le siège vers le haut.

35 Tirez sur les poignées à pliage rapide et laissez le cadre se replier. Appuyez sur le cadre de la poussette de votre pouce pour pouvoir plus facilement relever les poignées à pliage rapide. Veillez à ce que le levier de verrou de rangement s'enclenche en place.

#### DÉPOSE DU TISSU DE SIÈGE

36 Détachez le tissu de siège du cadre du siège.

37 À partir de l'arrière du siège, détachez la bande Velcro et faites glisser la bande dans l'anneau en D.

38 Appuyez sur les boutons de réglage du repose-pieds et tirez sur le repose-pieds pour retirer la barre de repose-pieds du cadre de siège. Faites sortir le tissu de siège du canal dans la barre de repose-pieds.

# ENTRETIEN ET MAINTENANCE

Pour préserver la longévité de votre poussette, il est important d'effectuer une maintenance simple et périodique. De temps à autre, assurez-vous que les joints et zones de pliage sont toujours en bon état. Si vous entendez un grincement ou sentez une certaine tension, vous pouvez emporter votre poussette au revendeur local de vélos pour une lubrification additionnelle. Toutes les réparations ne doivent être effectuées que par un concessionnaire agréé.

## LAVAGE

### Tissu du siège

- Le siège de la poussette peut être lavé en machine à l'eau froide avec un détergent doux.
- Veillez à retirer le cadre en métal et les panneaux en PE du siège avant de le laver.
- N'utilisez ni solvants, ni matériaux de nettoyage caustiques ou abrasifs.
- Pour minimiser le rétrécissement, il suffit de rattacher le siège au cadre pour le faire sécher.
- Ne pressez ni repassez, nettoyez à sec, séchez au séchoir ni essorez le tissu.
- Si la housse du siège a besoin d'être remplacée, utilisez uniquement des pièces d'un revendeur agréé Baby Jogger. Elles sont les seules à être garanties pour avoir été testées pour sécurité et conçues pour convenir à ce siège.

### Pièces en plastique / métal

- Essuyez à l'aide d'un savon doux et d'eau chaude.
- Vous ne devez ni retirer ni démonter ni modifier quelque pièce que ce soit du mécanisme de pliage du siège ou des freins.

### Entretien des roues

- Les roues peuvent être nettoyées à l'aide d'un chiffon humide. Elles devront être complètement séchées avec une serviette ou un chiffon doux.

## ENTREPOSAGE

- Le soleil peut décolorer le tissu du siège et dessécher les pneus, il est donc important d'entreposer votre poussette à l'intérieur pour prolonger son bel aspect.
- N'entreposez PAS la poussette à l'extérieur.
- Veillez à ce que la poussette soit bien sèche avant de l'entreposer pour de longues durées.
- Entreposez toujours la poussette dans un milieu sec.
- Entreposez la poussette dans un lieu sûr lorsqu'elle n'est pas utilisée (c'est-à-dire où les enfants ne peuvent pas jouer avec).
- NE placez PAS d'objets lourds sur le dessus de la poussette.
- N'entreposez PAS la poussette à proximité d'une source de chaleur directe telle qu'un radiateur ou un feu.

# ENREGISTREZ VOTRE POUSSETTE EN LIGNE À [www.babyjogger.com/register](http://www.babyjogger.com/register)

Garantie à vie limitée de Baby Jogger :

Baby Jogger garantit que le cadre est exempt de défauts de fabrication pour la durée de vie du produit. Les défauts de fabrication incluent, mais sans s'y limiter, la cassure des soudures et les dommages des tubes du cadre. Les matériaux en textile ou souples et tous les autres composants seront garantis pendant un an à compter de la date d'achat (à l'exception des tubes et des pneus). Une preuve d'achat est exigée pour effectuer une réclamation de garantie et la garantie n'est étendue qu'à l'acheteur original.

LA PRÉSENTE GARANTIE NE COUVRE PAS CE QUI SUIT :

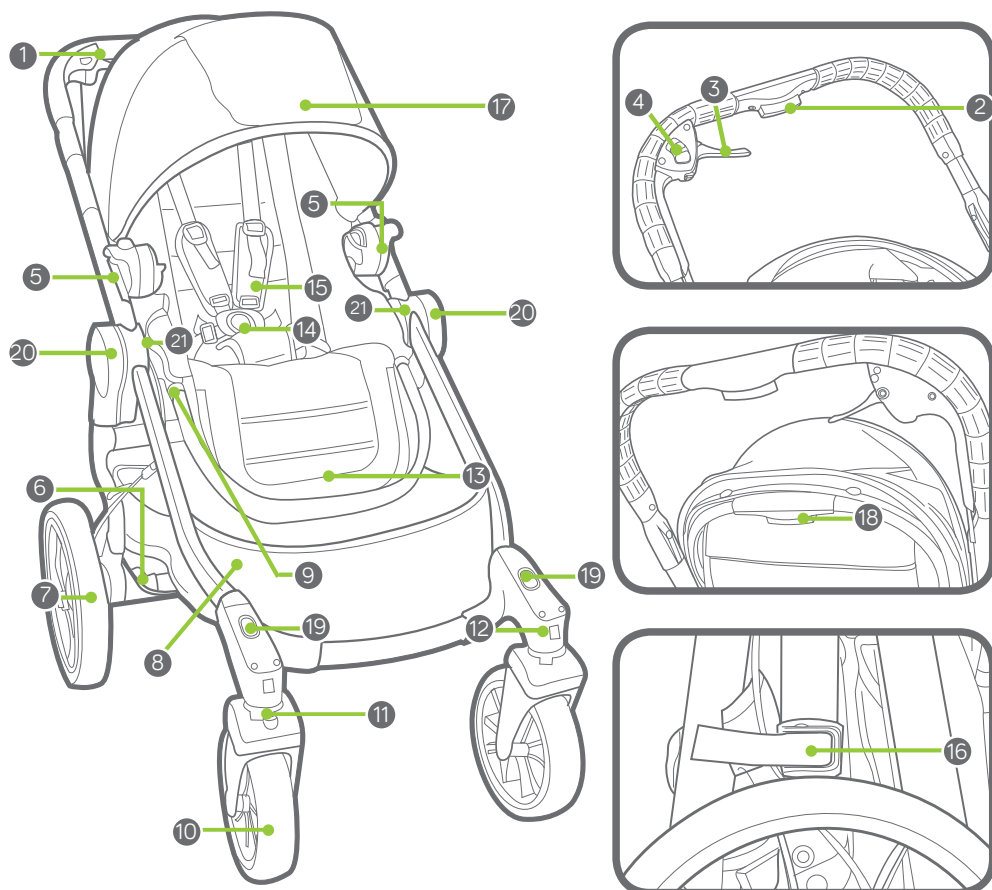
- L'usure normale
- La corrosion ou la rouille
- Un assemblage incorrect ou l'installation de pièces ou d'accessoires tiers incompatibles avec le modèle d'origine
- Dommage accidentel ou intentionnel, abus ou négligence, ou utilisations sur des escaliers ou escalators.
- Un usage commercial
- Un rangement/entretien incorrect du dispositif

Cette garantie exclut spécifiquement les réclamations pour dommages indirects, accessoires ou consécutifs. Les garanties tacites de qualité marchande et d'adaptation à un usage particulier sont conformes à la période de garantie spécifique pour ce modèle au moment de l'achat. Certains États ne permettant pas l'exclusion ou la limitation de dommages accessoires ou consécutifs, les limitations ou exclusions ci-dessus peuvent ne pas s'appliquer à votre cas. La présente garantie vous donne des droits juridiques spécifiques et vous pouvez également disposer d'autres droits qui varient d'une juridiction à une autre. Pour savoir quels sont vos droits juridiques dans votre État, consultez votre bureau des affaires de consommateurs local ou de l'État ou le procureur général de votre État.

Si votre poussette a été achetée en-dehors des États-Unis, veuillez contacter le distributeur dans le pays le plus proche de vous. Ses coordonnées figurent sur notre site Web à <http://www.babyjogger.com/retailers/#international>. Les recours en garantie en-dehors du pays dans lequel le produit a été acheté peuvent entraîner des frais d'expédition.



**REMARQUE :** Lorsque que vous contactez le distributeur Baby Jogger au sujet de votre poussette, veuillez avoir le numéro de série et la date de fabrication de la poussette à votre disposition. Cela se trouve sur le mécanisme de pliage avant.



- |    |  |    |  |
|----|--|----|--|
| 1  | Manillar   | 12 | Botón de desbloqueo de las ruedas delanteras         |
| 2  | Botón de ajuste del manillar                     | 13 | Hueco para los pies                                  |
| 3  | Palanca del freno                                | 14 | Hebilla del arnés                                    |
| 4  | Botón de desbloqueo del freno de estacionamiento | 15 | Almohadillas del arnés                               |
| 5  | Soporte de montaje de la silla                   | 16 | Traba para el almacenamiento                         |
| 6  | Botón de desbloqueo de las ruedas traseras       | 17 | Capota   |
| 7  | Rueda trasera                                    | 18 | Botón de inclinación de la silla                     |
| 8  | Cesta de almacenamiento                          | 19 | Ranuras de montaje del adaptador del segundo asiento |
| 9  | Botón de ajuste del hueco para los pies          | 20 | Asas de plegado rápido                               |
| 10 | Rueda delantera                                  | 21 | Ranuras de montaje de accesorios                     |
| 11 | Giro/Bloqueo                                     |    |  |

# ADVERTENCIA

**IMPORTANTE** - Conserve estas instrucciones para referencia futura.

Lea estas instrucciones detenidamente antes de utilizar el producto. La seguridad del niño puede verse afectada si no se siguen estas instrucciones.

## CARRITO INDIVIDUAL

- Este carrito es para un solo pasajero.

**⚠️ ADVERTENCIA** Esta silla no es apta para niños de menos de 6 meses. El peso máximo es de 15 kg; la estatura máxima es de 101,6 cm.

- La carga de peso total recomendada para este carrito es de 26 kg, 15 kg en la silla, 1 kg en el bolsillo del respaldo de la silla y 7 kg en la cesta.

**⚠️ ADVERTENCIA:** Este carrito no es apto para correr o ir en skateboard.

**⚠️ ADVERTENCIA:** No deje nunca al niño sin supervisión.

**⚠️ ADVERTENCIA:** Utilice siempre el sistema de retención.

**⚠️ ADVERTENCIA:** Compruebe que los dispositivos de acoplamiento de la silla para el coche o del acoplamiento del capazo o de la silla estén correctamente acoplados antes de usarla.

**⚠️ ADVERTENCIA:** Para evitar lesiones, asegúrese de que al desplegar y plegar este producto su hijo no esté cerca.

**⚠️ ADVERTENCIA:** Bloquee los frenos antes de colocar o sacar a su hijo y siempre que el carrito esté parado.

**⚠️ ADVERTENCIA:** Antes de usarla, asegúrese de que todos los dispositivos de bloqueo estén acoplados.

**⚠️ ADVERTENCIA:** No permita que su hijo juegue con este producto.

**⚠️ ADVERTENCIA:** La colocación de paquetes o artículos accesorios, o de ambos, en la unidad puede provocar la inestabilidad de esta.

**⚠️ ADVERTENCIA:** Cualquier carga aplicada sobre el manillar o sobre la parte posterior del respaldo o sobre los lados de la silla de paseo afectará la estabilidad del producto.

- Esta silla debe usarse en la posición de máxima inclinación hasta que el niño pueda sentarse en posición vertical sin ayuda, rodar o ponerse solo en posición de gateo.

• El carrito no debe utilizarse para transportar a niños al subir o bajar escaleras o escaleras mecánicas. Los daños provocados al carrito no estarán cubiertos por la garantía.

• Este carrito no sustituye a una cuna o a una cama. Si su hijo tiene que dormir, deberá colocarlo en una cama, una cuna o en un capazo apropiado.

• No deberán usarse accesorios que no estén aprobados por Baby Jogger.

• Cuidado con los coches, no asuma nunca que un conductor puede verles a usted y a su hijo.

• El pasajero permanecerá sentado (y no de pie en el carrito).

• Utilice únicamente las piezas de recambio que le proporcione o apruebe Baby Jogger.

## BASTIDOR

- 1 Desembale el bastidor del carrito de la caja y aparte las ruedas. Desbloquee el carrito tirando de la palanca para bloquear la silla para guardarla.
  - 2 Levante el manillar alejándolo del bastidor inferior. Se oirá un chasquido cuando el carrito encaje en su sitio.
  - 3 Coloque el carrito en posición vertical.
- ⚠️ ADVERTENCIA:** Antes de usarla, asegúrese de que todos los dispositivos de bloqueo estén acoplados.

## RUEDA DELANTERA

### 4 Instalación

- Coloque el carrito con el respaldo en el suelo de manera que el manillar descansa en el suelo.
- Acople la rueda delantera deslizándola hacia el soporte de la rueda delantera hasta oír un chasquido. Tire suavemente de la rueda delantera para asegurarse de que esté correctamente acoplada.

### 5 Desmontaje

- Deslice con cuidado la rueda delantera para extraerla del soporte de la rueda delantera al tiempo que presiona el botón de desbloqueo de la rueda delantera.

## CARACTERÍSTICA DE GIRO

- 6 Presione el botón de bloqueo de giro y deslice el bloqueo de giro hacia la izquierda para bloquear el conjunto de rueda delantera en una posición fija para largos desplazamientos.
- 7 Presione el botón de bloqueo de giro y deslice el bloqueo de giro hacia la derecha para permitir el giro del conjunto de rueda delantera.

- ⚠️ ADVERTENCIA:** Al colocar y sacar al niño, bloquee la rueda delantera en una posición fija. Si bien la rueda delantera de su carrito se bloquea, no ha sido diseñado para correr o hacer ejercicio con él.

## RUEDAS TRASERAS

### 8 Instalación

- Alinee el eje de las ruedas traseras con el soporte de la rueda en el bastidor del carrito e insértelo en el soporte de la rueda hasta oír un chasquido.
- Tire con suavidad de la rueda trasera para asegurarse de que esté correctamente acoplada.

### 9 Desmontaje

- Deslice con suavidad la rueda trasera para extraerla del soporte de la

rueda mientras presiona el botón de desbloqueo de la rueda.

## FRENO

- 10 Para activar el freno, apriete la palanca del freno.
  - 11 Para bloquear los frenos de estacionamiento: Empuje la palanca del freno ligeramente hacia delante hasta que encaje en su sitio.
  - 12 Para desbloquear los frenos de estacionamiento: Tire el botón de desbloqueo del freno de estacionamiento hacia usted.
- ⚠️ ADVERTENCIA:** Bloquee los frenos antes de colocar o sacar a su hijo y siempre que el carrito esté parado.
- 13 Si las ruedas traseras no frenan a la vez de manera uniforme, es posible ajustar los frenos del carrito. Deberá apretar el freno de la rueda que sigue girando mientras usted la frena: localice el regulador en el cubo de la rueda (A) con los frenos flojos. Afloje el anillo corto del freno (B) para ajustar el anillo del cilindro largo (C). Desenrosque el anillo del cilindro largo del cubo de la rueda (A) para apretar el cable. (No apriete en exceso.) Para bloquear los anillos, apriete el anillo corto (B) contra el cubo de la rueda (A) mientras mantiene el anillo del cilindro largo (C) en su sitio. Apriete el freno de mano gradualmente para lograr un mayor control sobre el carrito.

## SILLA – CÓMO DESPLEGAR LA SILLA

- 14 Sostenga el hueco para los pies y la parte superior de la silla y ábrala.
- 15 La silla se bloqueará en posición abierta.

## CAPOTA

- 16 Acople la capota al bastidor: Acople los soportes de la capota en los laterales del bastidor de la silla.
- 17 Acople las 2 tiras de fijación situadas en la capota a la parte superior de la silla.

## AJUSTE DEL ARNÉS DE SEGURIDAD

- 18 Desde el respaldo de la silla, suelte la tira de fijación y abra el bolsillo para localizar el tope cuadrado de plástico. Gire el tope y páselo a través de las aberturas del tablero de polietileno y la tela de la silla.
- 19 Vuelva a insertar el tope en la abertura de la silla que se encuentra más cerca de los hombros del niño. Pásela a través de la tela de la silla y el tablero de polietileno. Tire de la correa para

asegurarse de que el tope esté bloqueado. Repita a ambos lados.

- ▲ **ADVERTENCIA:** Evite lesiones graves provocadas por caídas o resbalones. Ajuste y abroche siempre de manera correcta el arnés de seguridad.

- ▲ **ADVERTENCIA:** Utilice siempre la correa de la entropierna en combinación con las correas del hombro y el cinturón para la cintura.

20 Deslice las almohadillas del arnés hacia arriba para acceder a la guía de plástico en la correa.

21 Sostenga la guía de plástico y tire de la correa para apretarla o aflojarla.

#### USO DEL ARNÉS DE SEGURIDAD

22 Inserte la hebilla de la correa lateral en la hebilla del arnés a ambos lados.

23 Inserte el arnés conectado y las hebillas de las correas laterales en los laterales de la hebilla de la entropierna.

24 Presione el botón de la hebilla de la entropierna para soltarlo.

#### COLOQUE LA SILLA EN EL BASTIDOR

25 Alinee los soportes de montaje de accesorios con los soportes de montaje del bastidor del carrito.

26 Deslice la silla hacia los soportes hasta oír un chasquido. Antes de usarla, asegúrese de que ambos lados de la silla estén fijados de manera segura en el bastidor.

NOTA: La silla puede instalarse orientada hacia delante u orientada hacia atrás.

#### RETIRE LA SILLA

27 Apriete las lengüetas grises situadas en los soportes de montaje y tire hacia arriba.

- ▲ **ADVERTENCIA:** Antes de retirar la silla del bastidor, saque siempre a su hijo de la silla.

#### RECLINE LA SILLA

28 Levante la palanca de inclinación de la silla situada en la parte superior de la silla, detrás de la capota.

29 Empuje hacia abajo para bajar la silla y tire hacia arriba para levantar la silla hasta oír un chasquido en la posición deseada.

#### AJUSTE DE LA ALTURA DEL ASA

30 Apriete el botón de ajuste del asa y deslice el asa hacia arriba o hacia abajo hasta alcanzar la longitud deseada.

#### HUECO PARA LOS PIES AJUSTABLE

31 Ajuste el ángulo: Presione los botones de ajuste situados en el hueco para los pies y desplácelo hacia arriba o hacia abajo hasta oír un chasquido en la posición deseada.

#### RETIRADA DE LA CESTA

32 Desabroche los broches de presión superiores de la cesta situados alrededor de la barra de apoyo central del bastidor. A continuación, desabroche los broches de presión inferiores situados alrededor de las barras de apoyo laterales del bastidor.

33 Desenganche la presilla de plástico superior delantera situada por encima de la perilla metálica en la parte delantera del bastidor. Repita el procedimiento en el otro lado.

#### PLEGADO

- Saque al niño de la silla.
- El carrito puede plegarse con o sin la silla acoplada, y orientada hacia delante o hacia atrás.
- Cuando la pliegue orientada hacia atrás, se recomienda reclinar la silla por completo antes de plegarla.
- Siempre recline la silla a la posición más vertical y posicíonela orientada hacia adelante para lograr el plegado más compacto.

34 Tire hacia arriba del hueco para los pies de la silla y pliegue la silla hacia arriba.

35 Tire hacia arriba de las asas de plegado rápido hasta que el bastidor se pliegue. Empuje hacia abajo la estructura del carrito con el pulgar para facilitar la elevación de las asas de plegado rápido. Asegúrese de que la palanca para bloquear la silla para guardarla encaje en su sitio. Oirá un chasquido.

#### RETIRADA DE LA TELA DE LA SILLA

36 Desabroche la tela de la silla del bastidor de la silla.

37 Desabroche la cinta de gancho y bucle situada en el respaldo de la silla y deslice la correa en la anilla en forma de D.

38 Presione los botones de ajuste del hueco para los pies y tire del hueco para los pies para retirar la barra del hueco para los pies del bastidor de la silla. Retire la tela del canal en la barra del hueco para los pies.

# CUIDADO Y MANTENIMIENTO

A fin de mantener la vida útil de su carrito, es importante realizar un mantenimiento periódico sencillo. Asegúrese de comprobar de vez en cuando que las uniones y las áreas de plegado sigan estando en buen estado. Si oye cualquier chirrido o siente tensión, puede llevar el carrito a una tienda de bicicletas local para su lubricación. Todas las reparaciones deben ser realizadas solo por un distribuidor autorizado.

## LAVADO

### Tela de la silla

- Puede lavar a máquina la silla del carrito en agua fría con un detergente suave.
- Antes de lavarla, asegúrese de retirar el bastidor metálico y el tablero de polietileno de la silla.
- No utilice disolventes ni materiales de limpieza cáusticos o abrasivos.
- Para evitar que encoja, tan solo tiene que volver a montar la silla en el bastidor para que se seque.
- No presione, planche, limpie en seco, seque en secadora ni retuerza la tela.
- Si fuera necesario sustituir las fundas de la silla utilice solo componentes de un distribuidor autorizado de Baby Jogger. Son las únicas con garantía de que cuentan con seguridad comprobada y diseñadas para ajustarse a esta silla.

### Piezas de plástico/metal

- Limpie con un jabón suave y agua templada.
- No debe retirar, desmontar ni modificar ninguna pieza de los frenos ni del mecanismo de plegado de la silla.

### Cuidado de las ruedas

- Las ruedas pueden limpiarse con un paño mojado. Tendrá que secarlas por completo con un paño o con una toalla suaves.

## ALMACENAMIENTO

- La luz del sol puede decolorar la tela de la silla y secar los neumáticos por lo que guardar el carrito en el interior prolongará su buen aspecto.
- NO lo guarde en un espacio al aire libre.
- Antes de guardar el carrito durante periodos prolongados, asegúrese de que esté seco.
- Guarde siempre el carrito en un lugar seco.
- Guarde el carrito en un sitio seguro cuando no vaya a utilizarlo (es decir, donde los niños no puedan jugar con él).
- NO coloque objetos pesados sobre la silla.
- NO guarde el carrito cerca de una fuente de calor directa como por ejemplo un radiador o cerca del fuego.



# REGISTRE SU CARRITO EN LÍNEA EN [www.babyjogger.com/register](http://www.babyjogger.com/register)

## Garantía limitada de por vida de Baby Jogger:

Baby Jogger garantiza que el bastidor está libre de defectos del fabricante durante la vida útil del producto. Los defectos del fabricante incluyen, a título enunciativo, la ruptura de las soldaduras y daños al tubo del bastidor. Los materiales laterales suaves o textiles y todos los demás componentes estarán garantizados durante un año desde la fecha de compra (salvo los tubos y neumáticos). Se necesita el comprobante de compra para realizar una reclamación de garantía y la garantía solo se extiende al comprador original.

## ESTA GARANTÍA NO CUBRE:

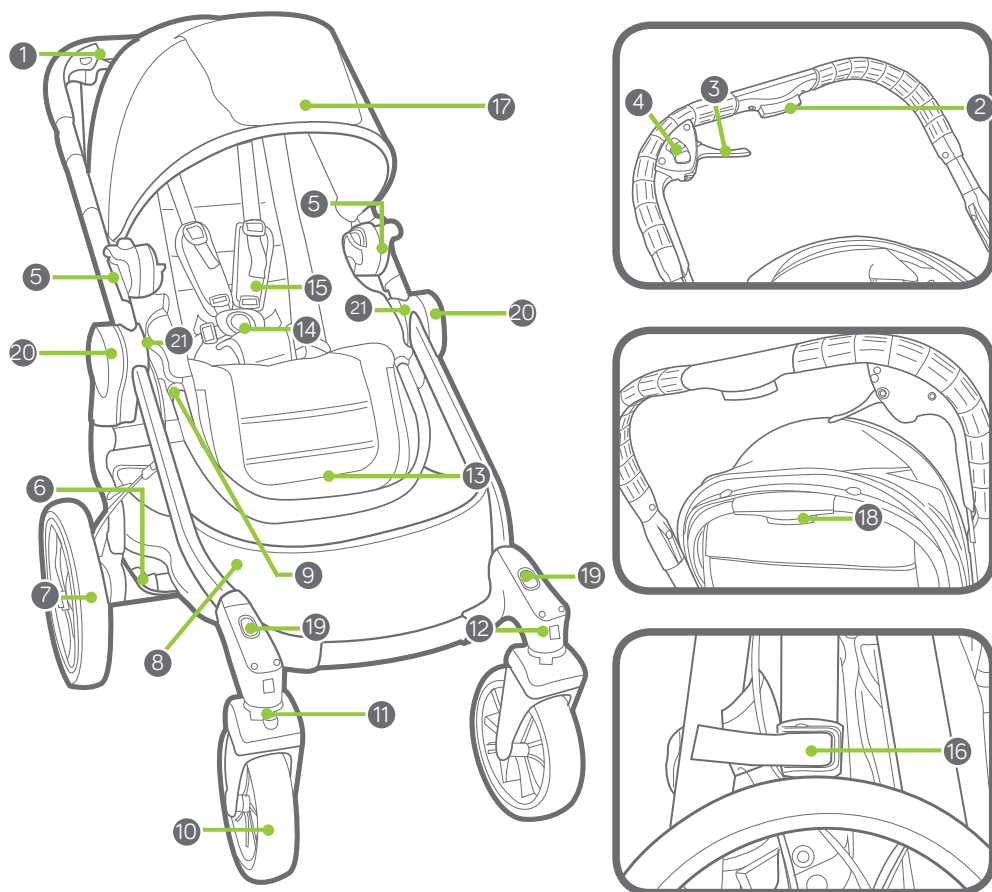
- Desgaste normal
- Corrosión u óxido
- Montaje incorrecto o la instalación de piezas o accesorios de terceros que no sean compatibles con el diseño original
- Daño, abuso o negligencia accidentales o intencionados, o el uso en escaleras o escaleras mecánicas.
- Uso comercial
- Almacenamiento o cuidado inadecuados de la unidad

Esta garantía excluye específicamente las reclamaciones por daños indirectos, incidentales o consecuenciales. Las garantías implícitas de comerciabilidad e idoneidad para un fin en particular son para el periodo de garantía específico para esta unidad de modelo en el momento de la compra. Algunos estados no permiten la exclusión o limitación de daños incidentales o consecuentes, por lo que las limitaciones o exclusiones podrían no ser aplicables a su caso. Esta garantía le ofrece derechos legales específicos y podría tener otros derechos que varían de un estado a otro. Para conocer cuáles son sus derechos legales en su estado, consulte con su oficina de consumo estatal o con el Fiscal General de su estado.

Si compró su carrito fuera de Estados Unidos, póngase en contacto con el distribuidor del país más cercano. Podrá encontrar su información de contacto en nuestra página web en <http://www.babyjogger.com/retailers/#international>. Las reclamaciones de garantía fuera del país donde se compró el producto podrían generar gastos de envío.



NOTA: Cuando se ponga en contacto con su distribuidor de Baby Jogger en relación con su carrito tenga a mano la fecha de fabricación y el número de serie de su carrito. Están situados en el mecanismo de plegado derecho.



- |    |   |    |  |
|----|---|----|--|
| 1  | Manubrio                                    | 12 | Pulsante di rilascio ruota anteriore           |
| 2  | Pulsante di regolazione manubrio            | 13 | Vano gambe                                     |
| 3  | Leva dei freni                              | 14 | Fibbia spillacci                               |
| 4  | Pulsante di rilascio freni di stazionamento | 15 | Imbottitura spillacci                          |
| 5  | Staffa montaggio sedile                     | 16 | Blocco portaoggetti                            |
| 6  | Pulsante di rilascio ruota posteriore       | 17 | Capottina                                      |
| 7  | Ruota posteriore                            | 18 | Pulsante per reclinare il sedile               |
| 8  | Cestino portaoggetti                        | 19 | Scanalature per montaggio adattatore 2° sedile |
| 9  | Pulsante di regolazione vano gambe          | 20 | Maniglie per piegatura rapida                  |
| 10 | Ruota anteriore                             | 21 | Scanalature per montaggio accessori            |
| 11 | Perno girevole/Blocco                       |    |  |

# AVVERTENZA

**IMPORTANTE** - Tenere queste istruzioni a portata di mano.

Leggere con cura queste istruzioni prima dell'uso. Il mancato rispetto di queste istruzioni potrebbe compromettere la sicurezza del bambino.

## PASSEGGINO SINGOLO

- Questo passeggino è destinato ad un solo bambino.

**⚠ AVVERTENZA** Questo passeggino non è adatto per bambini di età inferiore a 6 mesi. Il peso massimo consentito è 15 kg ; l'altezza massima è 101,6 cm .

- Il peso totale raccomandato per questo passeggino è 26 kg. 15 kg nel sedile, 1 kg nella tasca sul retro e 7 kg nel cestino.

**⚠ AVVERTENZA:** Questo passeggino non è adatto per correre o pattinare.

**⚠ AVVERTENZA:** Non lasciare mai il bambino senza sorveglianza.

**⚠ AVVERTENZA:** Utilizzare sempre il dispositivo di sicurezza.

**⚠ AVVERTENZA:** Controllare che la carrozzina o i dispositivi di fissaggio del passeggino o del seggiolino per auto siano correttamente inseriti prima dell'uso.

**⚠ AVVERTENZA:** Per evitare ferite, tenere a distanza il bambino durante l'apertura e la chiusura di questo prodotto.

**⚠ AVVERTENZA:** Non lasciare che il bambino giochi con questo prodotto.

**⚠ AVVERTENZA:** Prima dell'uso, verificare che tutti i dispositivi di blocco siano inseriti.

**⚠ AVVERTENZA:** Bloccare i freni prima di collocare il bambino nel passeggino o di estrarlo da esso, nonché ogni volta che il passeggino non è in movimento.

**⚠ AVVERTENZA:** Pacchetti o accessori, o entrambi, collocati sul passeggino potrebbero provocarne l'instabilità.

**⚠ AVVERTENZA:** Qualsiasi carico appeso alla maniglia e/o alla parte posteriore dello schienale e/o ai lati del veicolo può comprometterne la stabilità.

- Il sedile deve essere utilizzato nella posizione più reclinata possibile finché il bambino non può stare seduto da solo, ribaltarsi e spingersi su mani e ginocchia.

• Il passeggino non è destinato al trasporto di bambini su scale o scale mobili. Eventuali danni al passeggino non saranno coperti dalla garanzia.

• Questo passeggino non sostituisce un lettino o un letto. Se il bambino ha bisogno di dormire, deve essere spostato in una carrozzina, un lettino o un letto adatti.

• È vietato l'uso di accessori non approvati da Baby Jogger.

• Attenzione alle auto - evitate di supporre che un guidatore possa vedere voi e il bambino.

• Il bambino deve restare seduto (mai in piedi nel passeggino).

• Usare solo ricambi forniti e approvati dal Baby Jogger.

## TELAIO

- 1 Disimballare il telaio del passeggino e mettere da parte le ruote. Sbloccare il passeggino tirando la leva di blocco portaoggetti.
- 2 Sollevare il manubrio allontanandolo dal telaio inferiore. Il passeggino scatterà in posizione.
- 3 Collocare il passeggino in posizione eretta.

**⚠ AVVERTENZA:** Prima dell'uso, verificare che tutti i dispositivi di blocco siano inseriti.

## RUOTA ANTERIORE

### 4 Installazione

- Posare il passeggino sullo schienale in modo che il manubrio poggi sul pavimento.
- Inserire la ruota anteriore facendola scorrere nell'apposito attacco finché non scatta in posizione. Tirare delicatamente la ruota anteriore per assicurarsi che sia fissata correttamente.

### 5 Rimozione

- Premere il pulsante di rilascio della ruota anteriore e, al contempo, estrarre delicatamente la ruota dall'apposito attacco.

## FUNZIONE DI ROTAZIONE

- 6 Abbassare il pulsante di perno girevole/blocco e far scorrere il perno verso sinistra, in modo da bloccare il gruppo ruota anteriore in posizione fissa se il passeggino deve essere spinto a lungo.

- 7 Abbassare il pulsante di perno girevole/blocco e far scorrere il perno verso destra, in modo da permettere la rotazione al gruppo ruota anteriore.

**⚠ AVVERTENZA:** Quando il bambino viene collocato nel passeggino o ne viene estratto, bloccare la ruota anteriore in posizione fissa. Sebbene la ruota anteriore del passeggino possa essere bloccata, ciò non è inteso per fare jogging o esercizio fisico.

## RUOTE POSTERIORI

### 8 Installazione

- Allineare l'asse delle ruote posteriori con l'attacco ruote sul telaio del passeggino e inserirlo in tale attacco finché non scatta in posizione.
- Tirare delicatamente la ruota posteriore per assicurarsi che sia fissata correttamente.

### 9 Rimozione

- Premere il pulsante di rilascio ruote e, al contempo, estrarre delicatamente la ruota

posteriore dall'apposito attacco.

## FRENO

- 10 Per innestare il freno, azionare la leva dei freni.

- 11 Per bloccare i freni di stazionamento: spingere delicatamente la leva dei freni in avanti finché non scatta in posizione.

- 12 Per rilasciare i freni di stazionamento: tirare verso di sé il pulsante di rilascio dei freni di stazionamento.

**⚠ AVVERTENZA:** Bloccare i freni prima di collocare il bambino nel passeggino o di estrarlo da esso, nonché ogni volta che il passeggino non è in movimento.

- 13 Se le ruote posteriori non si bloccano in modo corretto, è possibile regolare i freni del passeggino. È necessario serrare il freno della ruota che continua a ruotare anche quando è bloccata. Individuare il regolatore sul mozzo della ruota (A) con i freni allentati. Allentare l'anello corto (B) del freno per regolare l'anello del cilindro lungo (C). Svitare ulteriormente l'anello del cilindro lungo dal mozzo della ruota (A) per serrare il cavo (evitare un serraggio eccessivo!). Per bloccare gli anelli, serrare l'anello corto (B) contro il mozzo della ruota (A) tenendo al contempo in posizione l'anello del cilindro lungo (C).

Azionare gradualmente il freno a mano per ottenere un controllo migliore del passeggino.

## SEDILE - APERTURA DEL SEDILE

- 14 Tenendo il vano gambe e la parte superiore del sedile, aprire il sedile stesso.

- 15 Il sedile si bloccherà in posizione aperta.

## CAPOTTINA

- 16 Fissare la capottina al telaio: Collegare le staffe della capottina ai lati del telaio del sedile.

- 17 Fissare le 2 strip di fissaggio sulla capottina alla parte superiore del sedile.

## REGOLAZIONE DELLA CINTURA DI SICUREZZA

- 18 Dallo schienale del sedile, allentare la strip di fissaggio e aprire la tasca per individuare il fermo quadrato di plastica. Ruotare il fermo e passare attraverso le aperture nel pannello in PE e nel tessuto del sedile.

- 19 Reinserire il fermo nell'apertura più vicina alle spalle del bambino. Ripassare attraverso il tessuto del sedile e il pannello in PE. Tirare la strip per assicurarsi che il

fermo sia bloccato. Ripetere l'operazione su entrambi i lati.

**⚠** AVVERTENZA: Evitare di incorrere in lesioni gravi in caso di caduta o scivolamento. Regolare e tendere sempre correttamente la cintura di sicurezza.

**⚠** AVVERTENZA: Utilizzare sempre la fascetta delle bretelle abbinata agli spallacci e alla cintura in vita.

20 Far scorrere verso l'alto l'imbottitura degli spallacci per accedere alla guida sulla fascetta.

21 Tenere la guida in plastica e tirare la fascetta per stringerla o allentarla.

#### USO DELLA CINTURA DI SICUREZZA

22 Inserire la cinghia delle fascette laterali nella cinghia della cintura su entrambi i lati.

23 Inserire le cinghie collegate di cintura e fascette laterali nei lati della fibbia per le bretelle.

24 Premere il pulsante sulla fibbia per le bretelle per rilasciare.

#### POSIZIONAMENTO DEL SEDILE SUL TELAIO

25 Allineare le staffe di montaggio accessori alle staffe di montaggio sul telaio del passeggino.

26 Far scorrere il sedile nelle staffe finché non scatta in posizione. Assicurarsi che entrambi i lati del sedile siano correttamente fissati nel telaio prima dell'uso.

NOTA: Il sedile può essere installato rivolto sia in avanti, sia all'indietro.

#### RIMOZIONE DEL SEDILE

27 Premere le alette di colore grigio sulle staffe di montaggio e tirare verso l'alto.

**⚠** AVVERTENZA: Estrarre sempre il bambino dal passeggino prima di rimuovere il sedile dal telaio.

#### PER RECLINARE IL SEDILE

28 Sollevare la leva per reclinare il sedile posta nella parte superiore del sedile stesso, dietro la capottina.

29 Abbassare la leva per abbassare il sedile e sollevarla per sollevare il sedile finché non scatta nella posizione desiderata.

#### REGOLAZIONE DELL'ALTEZZA DEL MANUBRIO

30 Azionare il pulsante di regolazione del manubrio e farlo scorrere verso l'alto o verso il basso fino alla posizione desiderata.

#### VANO GAMBE REGOLABILE

31 Regolare l'angolo: Premere i pulsanti di regolazione sul vano gambe e spostarlo verso l'alto o verso il basso finché non scatta nella posizione desiderata.

#### RIMOZIONE DEL CESTINO

32 Slacciare i fermagli superiori del cestino intorno alla barra di sostegno mediana del telaio. In seguito, slacciare i fermagli inferiori intorno alle barre di sostegno laterali del telaio.

33 Sganciare l'occhiello in plastica anteriore superiore dal pomello metallico sulla parte frontale del telaio. Ripetere l'operazione sul lato opposto.

#### CHIUSURA DEL PASSEGGINO

- Estrarre il bambino dal passeggino.

- Il passeggino può essere chiuso con o senza il sedile e rivolto sia in avanti, sia all'indietro.

- Quando viene chiuso rivolto all'indietro, si raccomanda che il sedile sia reclinato completamente prima di iniziare l'operazione.

- Reclinare il sedile in posizione verticale eretta e posizionarlo rivolto in avanti per piegarlo nel modo più compatto possibile.

34 Tirare verso l'alto il vano gambe del sedile e piegare il sedile verso l'alto.

35 Tirare verso l'alto le maniglie di piegatura rapida e lasciare che il telaio si ripieghi. Usando il pollice, premere verso il basso il telaio del passeggino in modo da semplificare il sollevamento delle maniglie di piegatura rapida. Assicurarsi che la leva di blocco portaoggetti scatti in posizione.

#### RIMOZIONE DEL TESSUTO DEL SEDILE

36 Sganciare il tessuto del sedile dal telaio del sedile stesso.

37 Dallo schienale del sedile, slacciare il gancio-occhiello e far scorrere la fascetta attraverso l'anello a D.

38 Premere i pulsanti di regolazione del vano gambe e tirare indietro il vano stesso per rimuovere la barra del vano gambe dal telaio del sedile. Estrarre il tessuto del sedile dal canale nella barra del vano gambe.

# CURA E MANUTENZIONE

Per preservare la durata del passeggino, è importante eseguire alcune semplici operazioni di manutenzione a intervalli regolari. Di quando in quando, assicurarsi che i giunti e le aree interessate quando viene chiuso il seggiolino siano ancora in buone condizioni. Nel caso vengano uditi cigolii o scricchiolii o venga avvertita tensione, portare il seggiolino in un negozio di biciclette per farlo lubrificare. Tutte le riparazioni devono essere eseguite esclusivamente da un rivenditore autorizzato.

## LAVAGGIO

### Tessuto del sedile

- È possibile lavare in lavatrice il sedile del passeggino in acqua fredda con un detersivo delicato.
- Assicurarsi di rimuovere il telaio metallico e i pannelli in PE dal sedile prima del lavaggio.
- Non utilizzare solventi né materiali di pulizia caustici o abrasivi.
- Per ridurre il possibile restringimento, limitarsi a reinserire il sedile sul telaio e lasciarlo asciugare.
- Evitare di stirare, asciugare a secco, centrifugare o strizzare il tessuto.
- Se la copertura del sedile deve essere sostituita, utilizzare esclusivamente pezzi di ricambio di un rivenditore autorizzato Baby Jogger. Sono gli unici garantiti come collaudati con sicurezza e appositamente progettati per questo sedile.

### Parti in plastica/metallo

- Pulire strofinando con un sapone delicato e acqua calda.
- È vietato rimuovere, smontare o alterare qualsiasi pezzo del meccanismo di chiusura del sedile o i freni.

## Manutenzione delle ruote

- Le ruote possono essere pulite utilizzando un panno umido. Le ruote dovranno essere asciugate completamente con un panno o un asciugamano morbidi.

## CONSERVAZIONE

- La luce del sole può far scolorire il tessuto e far seccare le gomme delle ruote, perciò conservando il passeggino al chiuso verrà mantenuto l'aspetto originale.
- NON conservare all'aperto.
- Assicurarsi che il passeggino sia asciutto prima di riporlo per periodi prolungati.
- Conservare sempre il passeggino in un ambiente asciutto.
- Conservare il passeggino in un luogo sicuro quando non viene utilizzato (cioè dove i bambini non possano giocare con esso).
- NON collocare oggetti pesanti sopra il passeggino.
- NON conservare il passeggino nelle vicinanze di una fonte di calore diretto, ad esempio un termosifone o un camino.

# REGISTRA IL PASSEGGINO ONLINE SU [www.babyjogger.com/register](http://www.babyjogger.com/register)

## Garanzia limitata a vita di Baby Jogger:

Baby Jogger garantisce che il telaio è esente da difetti di produzione per l'intera durata del prodotto. I difetti di produzione includono - ma non sono limitati a - rottura delle saldature e danni delle tubazioni del telaio. I materiali laterali tessili o morbidi e tutti gli altri componenti saranno garantiti per un anno dalla data d'acquisto (ad eccezione di tubi e gomme delle ruote). È richiesta la prova d'acquisto in caso di reclami sulla garanzia e la garanzia è estesa esclusivamente all'acquirente originale.

## QUESTA GARANZIA NON COPRE QUANTO SEGUE:

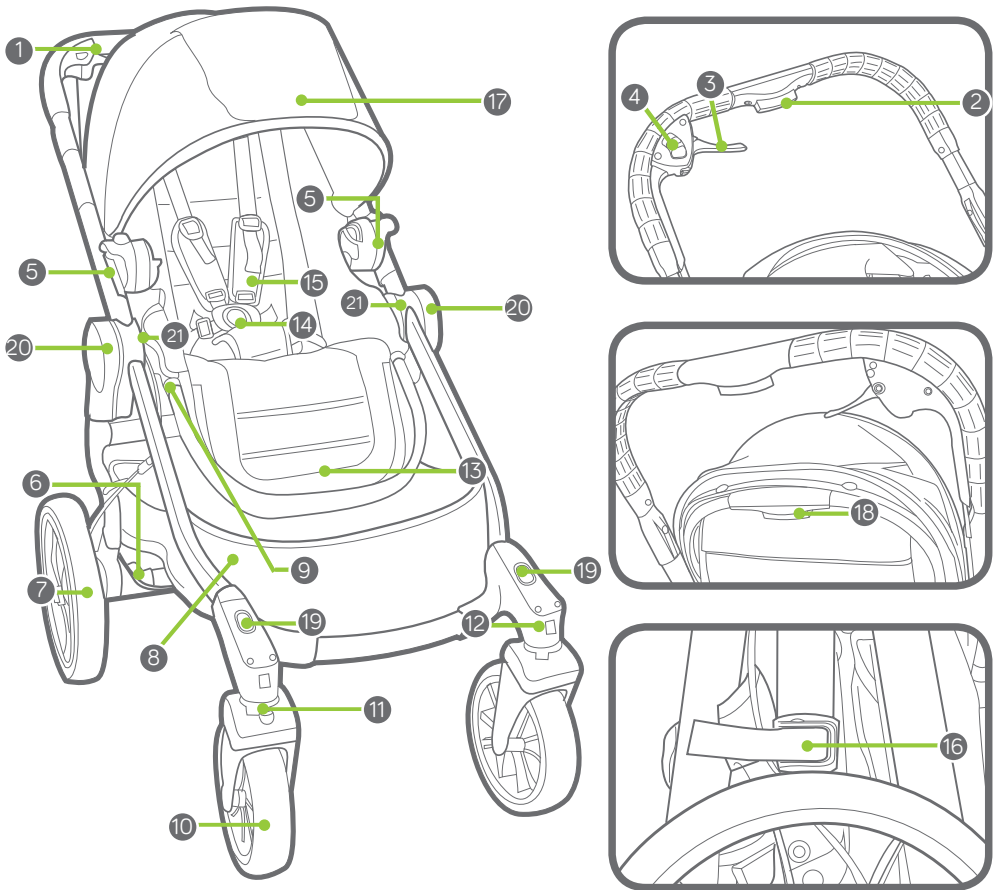
- Normale usura
- Corrosione o ruggine
- Montaggio non corretto, oppure installazione di pezzi o accessori di terzi non compatibili con il design originale
- Danno, abuso o negligenza accidentali o intenzionali, oppure uso su scale o scale mobili.
- Uso commerciale
- Conservazione/cura non corrette del prodotto

Questa garanzia esclude specificamente reclami per danni indiretti, incidentali o consequenziali. Le garanzie implicite di commerciabilità e idoneità per uno scopo particolare si intendono in conformità al periodo di garanzia specifico per questo modello al momento dell'acquisto. Alcuni stati non consentono l'esclusione o la limitazione dei danni incidentali o consequenziali, perciò le limitazioni o esclusioni sopra descritte potrebbero non applicarsi in tutti i casi. Questa garanzia conferisce all'utilizzatore diritti legali specifici, nonché eventuali altri diritti che potrebbero variare da stato a stato. Per conoscere i diritti legali in vigore nel proprio stato, consultare l'ufficio clienti locale o statale oppure il procuratore generale dello stato.

Se il passeggino non è stato acquistato negli Stati Uniti, contattare il distributore del paese più vicino. Le loro informazioni di contatto sono reperibili sul nostro sito all'indirizzo <http://www.babyjogger.com/retailers/#international>. I reclami per la garanzia all'esterno del paese in cui il prodotto è stato acquistato potrebbero implicare spese di spedizione.



NOTA: Quando viene contattato il distributore Baby Jogger, tenere a portata di mano il numero di serie e la data di produzione del passeggino. Tali dati sono reperibili sul meccanismo di chiusura destro.



- |    |                                     |    |   |
|----|-------------------------------------|----|---|
| 1  | Griff                               | 12 | Vorderrad-Freigabeknopf                 |
| 2  | Verstellknopf für Griff             | 13 | Fußbereich                              |
| 3  | Bremshebel                          | 14 | Gurtschloss                             |
| 4  | Knopf zum Lösen der Feststellbremse | 15 | Gurtpolster                             |
| 5  | Sitzhalterung                       | 16 | Transportsicherung                      |
| 6  | Hinterrad-Freigabeknopf             | 17 | Verdeck                                 |
| 7  | Hinterrad                           | 18 | Sitzlehnen-Verstellknopf                |
| 8  | Aufbewahrungskorb                   | 19 | Montageschlitze für Adapter für 2. Sitz |
| 9  | Einstellknopf für Fußbereich        | 20 | Schnellzuklappgriffe                    |
| 10 | Vorderrad                           | 21 | Halterungsschlitze für Zubehör          |
| 11 | Vorderrad drehbar/fest              |    |   |







# WARNHINWEISE


**WICHTIG-** Bewahren Sie diese Anleitung zum Nachschlagen auf.


Lesen Sie diese Anleitung vor Gebrauch aufmerksam durch. Die Sicherheit Ihres Kindes kann beeinträchtigt werden, wenn Sie diese Anleitung nicht befolgen.


## EINZEL-BUGGY

• Diese Buggy hat einen Sitzplatz.

-  **WARNUNG** Diese Sitzeinheit ist für Kinder unter 6 Monaten nicht geeignet. Maximales Gewicht 15 kg; maximale Körpergröße 101,6 cm.
- Die für diesen Buggy empfohlene Gesamtnutzlast beträgt 26 kg. 15 kg im Sitz, 1 kg in der Sitzlehnentasche und 7 kg im Korb.
-  **WARNUNG:** Dieses Produkt ist nicht zum Joggen oder Skaten geeignet.
-  **WARNUNG:** Lassen Sie Ihr Kind nie unbeaufsichtigt.
-  **WARNUNG:** Verwenden Sie immer das Rückhaltesystem
-  **WARNUNG:** Vergewissern Sie sich vor der Verwendung, dass der Kinderwagenaufsatz oder die Sitzeinheit oder die Befestigungselemente des Autositzes korrekt eingerastet sind.
-  **WARNUNG:** Damit Ihr Kind nicht verletzt wird, achten Sie darauf, dass Ihr Kind nicht in der Nahe ist, wenn Sie das Produkt aufklappen oder zusammenklappen.
-  **WARNUNG:** Stellen Sie die Bremsen fest, bevor Sie Ihr Kind ein- und aussteigen lassen, sowie immer dann, wenn der Buggy sich nicht bewegt.
-  **WARNUNG:** Vergewissern Sie sich vor Gebrauch, dass alle Verriegelungen eingerastet sind.

 **WARNUNG:** Lassen Sie Ihr Kind nicht mit diesem Produkt spielen.

 **WARNUNG:** Auf das Produkt gelegte Pakete oder Zubehörartikel oder beides können bewirken, dass das Produkt instabil wird. **WARNUNG:** Jede an den Griff und/oder

 an die Rückseite der Rückenlehne und/oder die Seiten des Buggys gehängte Last beeinflusst dessen Stabilität.

- Die Rückenlehne dieses Sitzes sollte so weit wie möglich geneigt sein, solange das Kind nicht ohne fremde Hilfe aufrecht sitzen, sich umdrehen oder krabbeln kann.
- Der Buggy ist nicht dafür gedacht, Kinder Treppen hinauf oder hinunter oder auf Rolltreppen zu transportieren. Daraus entstehende Schäden am Buggy fallen nicht unter die Garantie.
- Dieser Buggy ersetzt weder Wiege noch Bett. Wenn Ihr Kind schlafen muss, sollte es in einen geeigneten Kinderwagen, in eine geeignete Wiege oder in ein geeignetes Bett gelegt werden.
- Es darf nur von Baby Jogger zugelassenes Zubehör verwendet werden.
- Achten Sie auf Autos - gehen Sie niemals davon aus, dass der Fahrer Sie und Ihr Kind sieht.
- Das Kind muss stets sitzen (darf nicht stehend im Buggy mitfahren).
- Verwenden Sie nur von Baby Jogger gelieferte oder genehmigte Ersatzteile.

**RAHMEN**

- 1 Nehmen Sie den Buggy-Rahmen aus der Verpackung und legen Sie die Räder beiseite. Entriegeln Sie den Buggy, indem Sie an der Transportsicherung ziehen.
- 2 Heben Sie den Griff vom Rahmen-Unterteil weg. Der Buggy rastet ein.
- 3 Stellen Sie den Buggy aufrecht.

**⚠️ WARNUNG:** Vergewissern Sie sich vor Gebrauch, dass alle Arretiervorrichtungen eingerastet sind.

**VORDERRAD****4 Montage**

- Legen Sie den Buggy so auf die Rückseite, dass der Griff auf dem Boden liegt.
- Befestigen Sie das Vorderrad, indem Sie es auf die Vorderradaufhängung schieben, bis es einrastet. Ziehen Sie sanft am Vorderrad, um sich zu vergewissern, dass es ordnungsgemäß angebracht wurde.

**5 Abnehmen**

- Schieben Sie das Vorderrad bei gedrücktem Vorderrad-Freigabeknopf sanft von der Vorderradaufhängung.

**SCHWENKRAD-FUNKTION****6 Drücken Sie den**

Schwenkverriegelungsknopf nach unten und schieben Sie die Schwenkverriegelung nach links, um die Vorderräder für weite Fahrten festzustellen.

**7 Drücken Sie den**

Schwenkverriegelungsknopf nach unten und schieben Sie die Schwenkverriegelung nach rechts, um die Vorderräder schwenkbar zu machen.

**⚠️ WARNUNG:** Stellen Sie das Vorderrad zum Ein- und Aussteigen des Kindes fest. Das Vorderrad Ihres Buggys kann zwar festgestellt werden, aber er ist nicht zum Joggen oder für sportliche Zwecke gedacht.

**HINTERRÄDER****8 Montage**

- Halten Sie die Hinterradachse so, dass sie mit der Radhalterung am Buggyrahmen fluchtet, und stecken Sie sie auf die Radhalterung, bis sie einrastet.
- Ziehen Sie sanft am Hinterrad, um sich zu vergewissern, dass es ordnungsgemäß angebracht wurde.

**9 Abnehmen**

- Schieben Sie das Hinterrad bei gedrücktem Rad-Freigabeknopf sanft von der Radhalterung.

**BREMSE**

- 10 Zum Verzögern ziehen Sie den Bremshebel zu sich.

- 11 So arretieren Sie die Feststellbremse: Drücken Sie den Bremshebel sanft nach vorne, bis er einrastet.

- 12 So lösen Sie die Feststellbremse: Ziehen Sie den Knopf zum Lösen der Feststellbremse zu sich.

**⚠️ WARNUNG:** Stellen Sie die Bremsen fest, bevor Sie Ihr Kind ein- und aussteigen lassen, sowie immer dann, wenn der Buggy sich nicht bewegt.

- 13 Wenn die Hinterräder nicht gleich stark bremsen, können Sie dürfen die Bremsen des Buggys einstellen. Die Bremse des Rades, das sich trotz Bremsens weiterdreht, muss fester eingestellt werden: Finden Sie den Einstellmechanismus an der Radaufhängung (A) mit der zu lockeren Bremse. Lösen Sie den kurzen Ring der Bremse (B), bis Sie den langen Zylinderring (C) drehen können. Drehen Sie den langen Zylinderring weiter aus der Radaufhängung (A) heraus, um den Bowdenzug zu straffen. (Bitte nicht zu fest einstellen!) Zum Feststellen der Einstellringe schrauben Sie den kurzen Ring (B) an der Radaufhängung (A) fest und halten dabei den langen Zylinderring (C) fest. Drücken Sie die Handbremse leicht, damit Sie eine bessere Kontrolle über Ihren Buggy haben.

**SITZ – SITZ AUFKLAPPEN**

- 14 Halten Sie den Fußbereich und die Sitzoberkante und öffnen Sie den Sitz.
- 15 Der Sitz rastet in die Geöffnet-Position ein.

**VERDECK**

- 16 Das Verdeck am Rahmen befestigen: Befestigen Sie die Halterungen des Verdecks seitlich am Sitzrahmen.
- 17 Befestigen Sie die 2 Befestigungsstreifen am Verdeck an der Sitzoberkante.

**EINSTELLEN DES SICHERHEITSGURTS**

- 18 Lösen Sie den Befestigungsstreifen von der Sitzrückseite aus und öffnen Sie die Tasche, um den rechtwinkligen Stopper aus Kunststoff zu finden. Drehen Sie den Stopper und schieben Sie ihn durch die Öffnungen in der PE-Platte und durch den Sitzbezug.
- 19 Führen Sie den Stopper dann durch die Öffnung im Sitz, die den Schultern Ihres Kindes am nächsten liegt. Schieben Sie ihn wieder durch den Sitzbezug und

durch die PE-Platte. Ziehen Sie ruckartig am Gurt, um zu gewährleisten, dass der Stopper fest sitzt. Auf beiden Seiten wiederholen.

**⚠️ WARNUNG:** Vermeiden Sie ernsthafte Verletzungen durch Herausfallen oder rutschen. Der Sicherheitsgurt muss stets richtig eingestellt und angelegt sein.

**⚠️ WARNUNG:** Den Schrittgurt immer in Kombination mit den Schultergurten und dem Beckengurt verwenden.

20 Schieben Sie die Gurtpolster hoch, um die Kunststoff-Führung am Gurt freizulegen.

21 Halten Sie die Kunststoff-Führung und ziehen Sie am Gurt, um ihn enger oder weiter zu stellen.

#### GEBRAUCH DES SICHERHEITSGURTS

22 Stecken Sie die seitlichen Gurtschlossteile auf beiden Seiten in die oberen Gurtschlossteile.

23 Stecken Sie die zusammengesetzten seitlichen und oberen Gurtschlossteile jeweils seitlich in der Schrittgurtschloss.

24 Zum Lösen drücken Sie den Knopf am Schrittgurtschloss.

#### DEN SITZ AM RAHMEN BEFESTIGEN

25 Halten Sie den Sitz so, dass die Zubehör-Halterungen mit den Halterungen am Buggy-Rahmen fluchten.

26 Schieben Sie den Sitz auf die Halterungen, bis er einrastet. Vergewissern Sie sich vor Gebrauch, dass beide Seiten des Sitzes fest am Rahmen sitzen.

HINWEIS: Der Sitz kann entweder in oder gegen die Fahrtrichtung montiert werden.

#### SITZ ABNEHMEN

27 Die grauen Zungen an den Halterungen drücken und nach oben ziehen.

**⚠️ WARNUNG:** Nehmen Sie Ihr Kind immer aus dem Sitz, bevor Sie den Sitz vom Rahmen abnehmen.

#### SITZLEHNE NEIGEN

28 Heben Sie den Sitzlehnen-Verstellhebel an, der sich an der Sitzoberseite hinter dem Verdeck befindet.

29 Sitzlehne flacher oder senkrechter stellen, bis sie in der gewünschten Position einrastet.

#### HÖHENVERSTELLUNG DES GRIFFS

30 Drücken Sie den Griffverstellknopf und schieben Sie den Griff nach oben oder nach unten auf die gewünschte Länge.

#### EINSTELLBARER Fußbereich

31 Winkel einstellen: Drücken Sie den Einstellknopf am Fußbereich und bewegen Sie ihn nach oben oder nach

unten, bis er in der gewünschten Position einrastet.

#### KORB ABNEHMEN

32 Lösen Sie die oberen Druckknöpfe des Korbes in der Nähe der Mittelstange des Rahmens. Lösen Sie dann die unteren Druckknöpfe in der Nähe der Seitenträger des Rahmens.

33 Haken Sie die obere vordere Kunststoffschlaufe aus dem Metallknäufel an der Vorderseite des Rahmens aus. Diese Schritte auf der anderen Seite wiederholen.

#### ZUSAMMENKLAPPEN

- Nehmen Sie Ihr Kind aus dem Sitz.
- Der Buggy kann mit oder ohne Sitz und in oder gegen die Fahrtrichtung zusammengeklappt werden.
- Beim Zusammenklappen mit gegen die Fahrtrichtung montiertem Sitz wird empfohlen, die Sitzlehne vor dem Zusammenklappen so flach wie möglich zu stellen.
- Damit Sie den Kinderwagen so kompakt wie möglich zusammenklappen können, stellen Sie den Sitz stets so senkrecht wie möglich und in Fahrtrichtung.

34 Am Fußbereich des Sitzes nach oben ziehen und den Sitz nach oben klappen.

35 An den Schnellzuklappgriffen nach oben ziehen und den Rahmen zuklappen lassen. Wenn Sie den Rahmen des Buggys mit Ihrem Daumen nach unten drücken, ist es leichter, die Schnellzuklappgriffe nach oben zu ziehen. Achten Sie darauf, dass der Transportsicherung einrastet.

#### DEN SITZBEZUG ABNEHMEN

36 Lösen Sie den Sitzbezug vom Rahmen des Sitzes.

37 Lösen Sie den Klettverschluss von der Rückseite des Sitzes und schieben Sie den Gurt durch den D-Ring.

38 Drücken Sie die Fußbereich-Einstellknöpfe und ziehen Sie am Fußbereich, um den Fußbereichbügel vom Rahmen des Sitzes abzunehmen. Ziehen Sie den Sitzbezug aus der Nut am Fußbereichbügel.

# WARTUNG UND PFLEGE

Damit Sie lange Freude an Ihrem Buggy haben, ist es wichtig, einige einfache Hinweise zur regelmäßigen Pflege zu beachten. Vergewissern Sie sich von Zeit zu Zeit, dass die Gelenke und Klappbereiche in gutem Zustand sind. Falls Sie Quietschgeräusche hören oder Widerstände spüren, können Sie Ihren Buggy in einem Fahrradgeschäft ölen lassen. Reparaturen sollten nur von einem Vertragshändler durchgeführt werden.

## WASCHHINWEISE

### Sitzbezug

- Sie können den Sitz Ihres Buggys in der Waschmaschine kalt und mit einem Feinwaschmittel waschen.
- Achten Sie vor dem Waschen darauf, den Metallrahmen und die PE-Platten vom Sitz abzunehmen.
- Keine Lösungsmittel, ätzende oder scheuernde Reinigungsmittel verwenden.
- Befestigen Sie den Sitz zum Trocknen einfach am Rahmen, damit er so wenig wie möglich eingeht.
- Den Stoff weder mangeln noch bügeln, chemisch reinigen, in den Wäschetrockner geben oder auswringen.
- Falls der Sitzbezug ausgetauscht werden muss, dürfen ausschließlich Teile von einem Baby-Jogger-Vertragshändler verwendet werden. Diese sind die einzigen, die garantiert sicherheitsgetestet und für diesen Sitz passend sind.

### Kunststoff-/Metallteile

- Mit einer milden Seife und warmem Wasser sauber wischen.
- Teile des Zuklappmechanismus des Sitzes oder der Bremsen dürfen nicht entfernt, demontiert oder verändert werden.

### Pflege der Räder

- Die Räder können mit einem feuchten Lappen abgewischt werden. Sie müssen mit einem weichen Handtuch oder Lappen vollständig getrocknet werden.

### AUFBEWAHRUNG

- Sonnenlicht kann den Sitzbezug ausbleichen und die Reifen spröde machen. Ihr Buggy sollte daher im Innenbereich aufbewahrt werden, damit er länger gut aussieht.
- NICHT im Freien aufbewahren.
- Achten Sie darauf, dass der Buggy trocken ist, bevor Sie ihn über einen längeren Zeitraum einlagern.
- Bewahren Sie den Buggy stets an einem trockenen Ort auf.
- Bewahren Sie den Buggy an einem sicheren Ort auf, wenn er nicht in Gebrauch ist (d. h. wo Kinder nicht mit ihm spielen können).
- KEINE schweren Gegenstände auf dem Buggy ablegen.
- Den Buggy NICHT in der Nähe direkter Wärmequellen wie z. B. Heizungen oder Feuer aufbewahren.

# REGISTRIEREN SIE IHREN BUGGY ONLINE AUF [www.babyjogger.com/register](http://www.babyjogger.com/register)

## Eingeschränkte lebenslange Garantie von Baby Jogger:

Baby Jogger garantiert über die gesamte Lebensdauer des Produkts, dass der Rahmen frei von Herstellermängeln ist. Herstellermängel sind, ohne darauf beschränkt zu sein, der Bruch von Schweißnähten und Schäden an den Rohren des Rahmens. Für Textilien und weiche Materialien sowie alle anderen Komponenten gilt eine einjährige Gewährleistung ab Kaufdatum (außer für Rohre und Reifen). Zur Geltendmachung von Ansprüchen im Rahmen der Garantie ist ein Kaufnachweis erforderlich und die Garantie gilt nur für den Erstbesitzer.

## DIESE GARANTIE GILT NICHT FÜR:

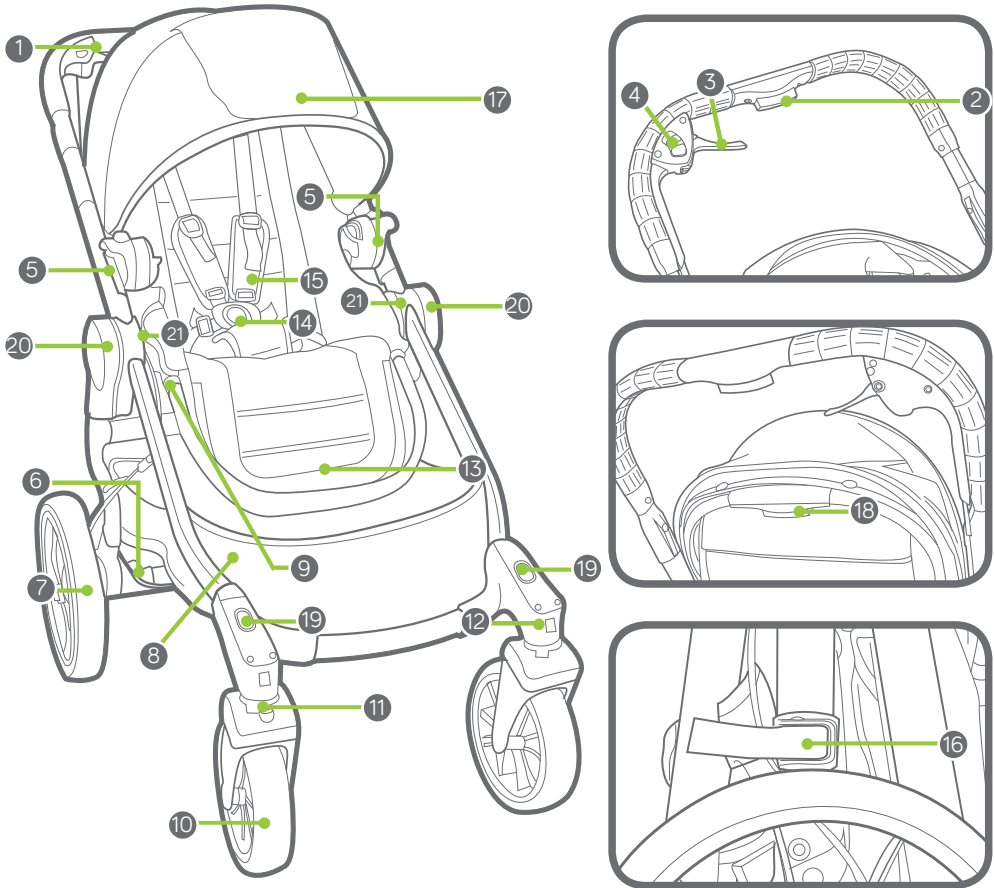
- Normalen Verschleiß
- Korrosion oder Rost
- Falsche Montage oder die Installation von Teilen oder Zubehör von Fremdherstellern, das mit der Original-Bauart inkompatibel ist
- Zufällige oder vorsätzliche Schäden, Missbrauch oder Fahrlässigkeit oder der Gebrauch auf Treppen oder Rolltreppen.
- Gewerblicher Gebrauch
- Falsche Lagerung/Pflege des Produkts

Diese Garantie schließt Schadensersatzansprüche für indirekte, Neben- oder Folgeschäden ausdrücklich aus. Die impliziten Garantien der Verkehrsüblichkeit und Eignung für einen bestimmten Zweck bemessen sich nach dem spezifischen Garantiezeitraum für dieses Modell zum Kaufzeitpunkt. In einigen Ländern dürfen damit einher gehende oder Folgeschäden nicht ausgeschlossen oder eingeschränkt werden, sodass die obigen Einschränkungen bzw. Ausschlüsse für Sie möglicherweise nicht gelten. Diese Garantie gibt Ihnen bestimmte Rechte und Sie könnten darüber hinaus noch weitere Rechte haben, die von Land zu Land unterschiedlich sind. Wenn Sie erfahren möchten, welche Rechte Sie in Ihrem Land haben, fragen Sie beim Verbraucherschutz oder bei der Staatsanwaltschaft Ihres Landes nach.

Falls Ihr Buggy außerhalb der Vereinigten Staaten gekauft wurde, wenden Sie sich bitte an den Vertreter in dem Land, das Ihnen am nächsten liegt. Dessen Kontaktdaten finden Sie auf unserer Website unter <http://www.babyjogger.com/retailers/#international>. Wenn Garantieansprüche außerhalb des Landes geltend gemacht werden, in dem das Produkt gekauft wurde, können Versandgebühren anfallen.



**HINWEIS:** Bitte halten Sie die Seriennummer und das Herstellungsdatum Ihres Buggys bereit, wenn Sie sich mit dem Baby-Jogger-Vertreiter bezüglich Ihres Buggys in Verbindung setzen. Diese Angaben sind am rechten Klappmechanismus zu finden.



- |    |                                     |    |  |
|----|-------------------------------------|----|--|
| 1  | Rukojeť                             | 12 | Tlačítko uvolnění předního kola                |
| 2  | Nastavovací tlačítko rukojeti       | 13 | Kryt nohou                                     |
| 3  | Brzdová páka                        | 14 | Přezka postroje                                |
| 4  | Uvolňovací tlačítko parkovací brzdy | 15 | Podložky postroje                              |
| 5  | Západka uchycení sedátka            | 16 | Zámek uložení                                  |
| 6  | Tlačítko uvolnění zadního kola      | 17 | Klenba   |
| 7  | Zadní kolo                          | 18 | Tlačítko naklopení sedačky                     |
| 8  | Ukládací košík                      | 19 | Otvory pro uchycení adaptéru pro druhé sedátko |
| 9  | Nastavovací tlačítko krytu nohou    | 20 | Rychloskládací rukojeť                         |
| 10 | Přední kolo                         | 21 | Otvory pro uchycení příslušenství              |
| 11 | Otočné kolečko / aretace            |    |  |

# VAROVÁNÍ

**DŮLEŽITÉ** - Návod schovejte pro případné použití.

Před používáním si pečlivě přečtěte návod. Pokud se nebudete řídit návodem, ovlivníte tím bezpečí vašeho dítěte.

## KOČÁREK PRO JEDNO DÍTĚ

- Kočárek je určený pro jedno dítě.

**VAROVÁNÍ** Sestava není vhodná pro děti mladší 6 měsíců. Maximální hmotnost je 15 kg; maximální výška je 101,6 cm.

- Doporučené celkové zatížení kočárku je 26 kg. 15 kg v sedátku, 1 kg v zadní kapse sedátka a 7 kg v košíku.

**VAROVÁNÍ** Kočárek není vhodný na běhání nebo inline bruslení.

**VAROVÁNÍ** Nikdy nenechávejte dítě bez dozoru.

**VAROVÁNÍ** Vždy použijte zádržný systém.

**VAROVÁNÍ** Před použitím se ujistěte, že rám kočárku nebo zařízení upevnění sedáku nebo připevnění autosedačky jsou správně zajištěna.

**VAROVÁNÍ** Aby nedošlo ke zranění, při skládání a rozkládání by nemělo být dítě v dosahu.

**VAROVÁNÍ** Brzdy by měly být zabrzděné před vkládáním nebo vyjímáním dítěte, nebo kdykoliv se kočárek nepohybuje.

**VAROVÁNÍ** Před použitím se ujistěte, že všechny zamykací části jsou zajištěny.

**VAROVÁNÍ** Nenechte své dítě hrát si s výrobkem.

**VAROVÁNÍ** Pokud na kočárek umístíte balíček, příslušenství nebo obojí, může být nestabilní.

**VAROVÁNÍ** Jakákoli zátěž na držadle nebo na zadní straně sedátka, případně po stranách vozidla, bude mít vliv na stabilitu vozidla.

- Dokud vaše dítě nebude umět sedět bez pomoci, přetočit se, nebo se zvednout na ruce a kolena, sedačka by měla být v co nejvíce sklopené poloze.
- Kočárek není určen pro převážení dětí nahoru nebo dolů po schodech nebo eskalátorech. Na vzniklé poškození kočárku se záruka nevztahuje.
- Kočárek nenahrazuje dětskou postýlku nebo lůžko. Pokud chcete, aby dítě spalo, uložte jej do vhodného hlubokého kočárku, dětské postýlky nebo lůžka.
- Nepoužívejte příslušenství, která nejsou schválena společností Baby Jogger.
- Pozor na auta – nikdy nepředpokládejte, že řidič vidí vás a vaše dítě.
- Pasažér musí zůstat sedět (v kočárku se nestojí).
- Používejte pouze náhradní díly dodávané nebo schválené Baby Jogger.

## RÁM

- 1 Vybalte rám kočárku z krabice a položte kola na stranu. Uvolněním zámku na složení kočárku odemknete k rozložení.
  - 2 Zdvihněte rukojeť směrem od spodního rámu. Kočárek se zacvakne do pozice.
  - 3 Postavte kočárek do vzpřímené polohy.
- VAROVÁNÍ:** Před použitím se ujistěte, že všechny zamykací části jsou zajištěny.

## PŘEDNÍ KOLO

### 4 Instalace

- Položte kočárek kolečky nahoru tak, že je rukojeť položena na zem.
- Přední kolo připevníte vložením do držáku předního kola, až zacvakne. Jemně za kolo zatáhněte a ujistěte se, že je připevněno správně.

### 5 Vyjmutí

- Kolo vyjmete současným stlačením tlačítka uvolnění předního kola a vytažením držáku předního kola.

## FUNKCE OTOČNÉHO KOLEČKA

- 6 Na delší procházky stiskněte tlačítko aretace otočného kolečka, posuňte jej vlevo a přední kolečko zaaretujte do pevné polohy.
  - 7 Otočné kolečko uvolníte stisknutím tlačítka aretace a jeho posunutím vpravo.
- VAROVÁNÍ:** Přední kolo by mělo být v pevné poloze při vkládání nebo vyjímání dítěte. I když má přední kolo funkci aretace otočného kolečka, není určeno na jogging nebo pohybové aktivity.

## ZADNÍ KOLA

### 8 Instalace

- Osu zadního kola srovnajte s držákem kol na rámu kočárku a kolo vložte do držáku kola, až zacvakne.
- Jemně za zadní kolo zatáhněte a ujistěte, že je připevněno správně.

### 9 Vyjmutí

- Kolo vyjmete současným stlačením tlačítka uvolnění zadního kola a vytažením zadního kola z držáku.

## BRZDA

- 10 Brzdu aktivujete stisknutím brzdové páky.
- 11 Uzamčení parkovací brzdy: Jemně zatlačte na brzdovou páku směrem dopředu, dokud s cvaknutím nezapadne na místo.

- 12 Uvolnění parkovací brzdy: Zatáhněte za uvolňovací tlačítko parkovací brzdy směrem k sobě.

- VAROVÁNÍ:** Brzdy by měly být zabrzděné před vkládáním nebo vyjímáním dítěte, nebo kdykoliv se kočárek nepohybuje.
- 13 Pokud zadní kola nebrzdí stejnoměrně, brzdy kočárku se mohou upravit. Brzda kola, které se stále točí i při brzdění, se musí utáhnout: Vyhleďte nastavovací zařízení ve středu kola (A), které má volnou brzdu. Uvolněte krátký kroužek brzdy (B) a upravte dlouhý válcový kroužek (C). Kabel utáhnete tak, že odšroubujete dlouhý válcový kroužek válce dále od středu kola (A). (Neutahujte nadměrně!) Uzamkněte kroužky - utáhněte krátký kroužek (B) proti středu kola (A) a přitom současně přidržujete dlouhý válcový kroužek (C) na místě.
- Lepší kontroly nad kočárkem dosáhnete postupným stiskáváním ruční brzdy.

## SEDÁTKO - ROZLOŽENÍ SEDÁTKA

- 14 Držte kryt nohou a horní část sedátka, otevřete sedátko.
- 15 Sedátko zacvakne do otevřené pozice.

## KLENBA

- 16 Připevněte klenbu k rámu: Západky klenby připevněte na strany rámu sedátka.
- 17 Připevněte 2 upevňovací pásy stříšky k horní části sedátka.

## NASTAVENÍ BEZPEČNOSTNÍHO POSTROJE

- 18 Ze zadní strany sedátka, povolte upevňovací pásy a otevřete kapsu, kde se nachází plastová čtvercová zarážka. Otočte zarážku a protáhněte ji skrz otvor v PE desce a látce sedáku.
  - 19 Znovu vložte zarážku do otvoru co nejbliže k ramenům dítěte. Prostrčte ji zpět skrz látku sedátka a PE desku. Zatáhněte za pásek a ujistěte se, že je správně upevněn. Opakujte na obou stranách.
- VAROVÁNÍ:** Vyhnete se vážným zraněním při vypadnutí nebo vyklouznutí. Vždy správně nastavte a zapínejte bezpečnostní postroj.
- VAROVÁNÍ:** Vždy používejte popruh v rozkroku v kombinaci s ramenními popruhy a bederním pásem.



- 20 Posuňte podložky postroje nahoru k plastovým vodičkám na popruhu.
- 21 Držte plastové vodičko a zatažením za pásek utáhněte nebo povolte.

#### POUŽÍVÁNÍ BEZPEČNOSTNÍHO POSTROJE

- 22 Vložte přezky bočního popruhu do přezek postroje na obou stranách.
- 23 Vložte spojené přezky postroje a bočních popruhů do stran přezky rozkroku.
- 24 Uvolníte zatlačení tlačítka na přezce rozkroku.

#### VLOŽENÍ SEDAČKY NA RÁM

- 25 Vyrovnajte držáky příslušenství s držáky na rámu kočárku
  - 26 Sedátko vsuňte do držáků, dokud nezacvakne. Před použitím se ujistěte, že jsou obě strany sedátka bezpečně připevněny k rámu.
- POZNÁMKA:** Sedátko může být nainstalováno jak pro jízdu směrem dopředu tak pro jízdu zády po směru jízdy.

#### VYJMUTÍ SEDAČKA

- 27 Stiskněte šedé západky na držácích a táhněte nahoru.

**VAROVÁNÍ:** Vždy nejprve vyjměte dítě před vyjmutím sedátka z rámu.

#### SKLOPENÍ SEDAČKA

- 28 Zdvihněte páku sklopení sedátka, která se nachází na horní části sedátka za klenbou.
- 29 Zatažením dolů sedátko sklopíte, zatažením nahoru sedátko zvednete, dokud nezacvakne do požadované polohy.

#### NASTAVENÍ VÝŠKY RUKOJETI

- 30 Stiskněte tlačítko nastavení rukojeti a posuňte rukojeť nahoru nebo dolů na požadovanou výšku.

#### NASTAVITELNÝ KRYT NOHOU

- 31 Nastavení úhlu: 27 Stlačte nastavovací tlačítko na krytu nohou a pohněte s ním nahoru nebo dolů, dokud nezacvakne do požadované polohy.

#### VYJMUTÍ KOŠÍKU

- 32 Povolte horní patentky košíku okolo prostřední podpůrné tyče rámu. Následně povolte spodní patentky okolo postranních podpůrných tyčí rámu.

- 33 Odháknete horní přední plastové poutko z kovového kolíku na přední straně rámu. Opakujte na protější straně.

#### SLOŽENÍ

- Vyjměte dítě ze sedačky
  - Kočárek lze složit bez připevněného sedátka nebo se sedátkem připevněným oběma způsoby - pro jízdu čelem dopředu i pro jízdu čelem dozadu.
  - Pokud skládáte kočárek se sedátkem na jízdu čelem dozadu, doporučujeme, aby sedátko bylo před skládáním zcela položeno.
  - Pro nejkompaktnější složení kočárku vždy uveďte sedátko do jeho nejvzpřímenější polohy a dejte ho na jízdu čelem dopředu.
- 34 Zatáhněte za kryt nohou a sedátko složte směrem vzhůru.
  - 35 Zatáhněte za rychloskládací rukojeť a nechte rám, aby se složil. Pro snazší zvednutí rychloskládací rukojeti zatlačte palcem na rám kočárku. Ujistěte se, že páka zámku složení s cvaknutím zapadne na místo.

#### SEJMUTÍ POTAHU SEDAČKA

- 36 Odcvakněte potah sedátka z rámu sedátka.
- 37 Ze zadní strany sedátka, povolte háček a poutko a pásek protáhněte skrz D-kroužek.
- 38 Stiskněte nastavovací tlačítka krytu nohou a zatažením za kryt vyjměte tyč krytu nohou z rámu sedátka. Vytáhněte potah sedátka ven z vodičího kanálku na rámu krytu nohou.

# PÉČE A ÚDRŽBA

Aby byla zachována životnost kočárku, je důležité provádět jednoduchou, pravidelnou údržbu. Čas od času se ujistěte, že klouby a skládací oblasti jsou stále v dobrém stavu. Pokud uslyšíte jakékoliv vrzání nebo ucítíte napětí, vezměte kočárek do místního cykloservisu, aby ho promazali. Veškeré opravy by měl provádět pouze autorizovaný prodejce.

## ČIŠTĚNÍ

### Potah sedáku

- Sedák kočárku můžete prát v pračce ve studené vodě s jemným pracím práškem.
- Před praním ze sedátka odstraňte kovový rám a PE desky.
- Nepoužívejte rozpouštědla, agresivní nebo abrazivní čisticí prostředky.
- Pro minimalizaci srážení jednoduše znovu připojit sedák k rámu, aby uschnul.
- Látku nemandlujte, nežehejte, nečistěte chemicky, nesušte v sušičce a neždímejte.
- Pokud je potřeba potahy vyměnit, použijte pouze díly od autorizovaného prodejce Baby Jogger. Pouze na ty se poskytuje záruka, že byly testovány z hlediska bezpečnosti a navrženy tak, aby na sedák pasovaly.

### Plastové / kovové díly

- Otřete hadříkem namočeným ve vlažné vodě s jemným saponátem.
- Nesmíte odstranit, demontovat nebo upravovat jakoukoli část mechanismu skládacího sedadla nebo brzd.

### Údržba koleček

- Kolečka lze čistit vlhkým hadříkem. Je třeba je zcela vysušit měkkou utěrkou nebo hadříkem.

## SKLADOVÁNÍ

- Sluneční záření může způsobit vyblednutí tkaniny sedátka a vyschnutí pneumatik. Proto ukládáním kočárku vevnitř prodloužíte jeho dobrý vzhled.
- NESKLADUJTE venku.
- Před skladováním na delší dobu se ujistěte, že je kočárek suchý.
- Kočárek vždy skladujte v suchém prostředí.
- Pokud kočárek nepoužíváte, skladujte jej na bezpečném místě (např. tam, kde si s ním nemohou hrát děti).
- NEPOKLÁDEJTE na kočárek těžké předměty.
- Kočárek NESKLADUJTE v blízkosti přímého zdroje tepla, např. radiátoru nebo krbu.

# REGISTRUJTE SVŮJ KOČÁREK ONLINE NA [www.babyjogger.com/register](http://www.babyjogger.com/register)

CS

## Omezená doživotní záruka společnosti Baby Jogger:

Společnost Baby Jogger zaručuje, že rám bude po celou dobu životnosti výrobku bez výrobních vad. Výrobní vady zahrnují kromě jiného zlomení svárů a poškození trubky rámu. Textil nebo měkké materiály a všechny ostatní součásti jsou kryty zárukou po dobu jednoho roku od data nákupu (s výjimkou trubek a pneumatik). Při reklamaci je požadován doklad o koupi a záruka se vztahuje pouze na původního kupujícího.

## ZÁRUKA SE NEVZTAHUJE NA:

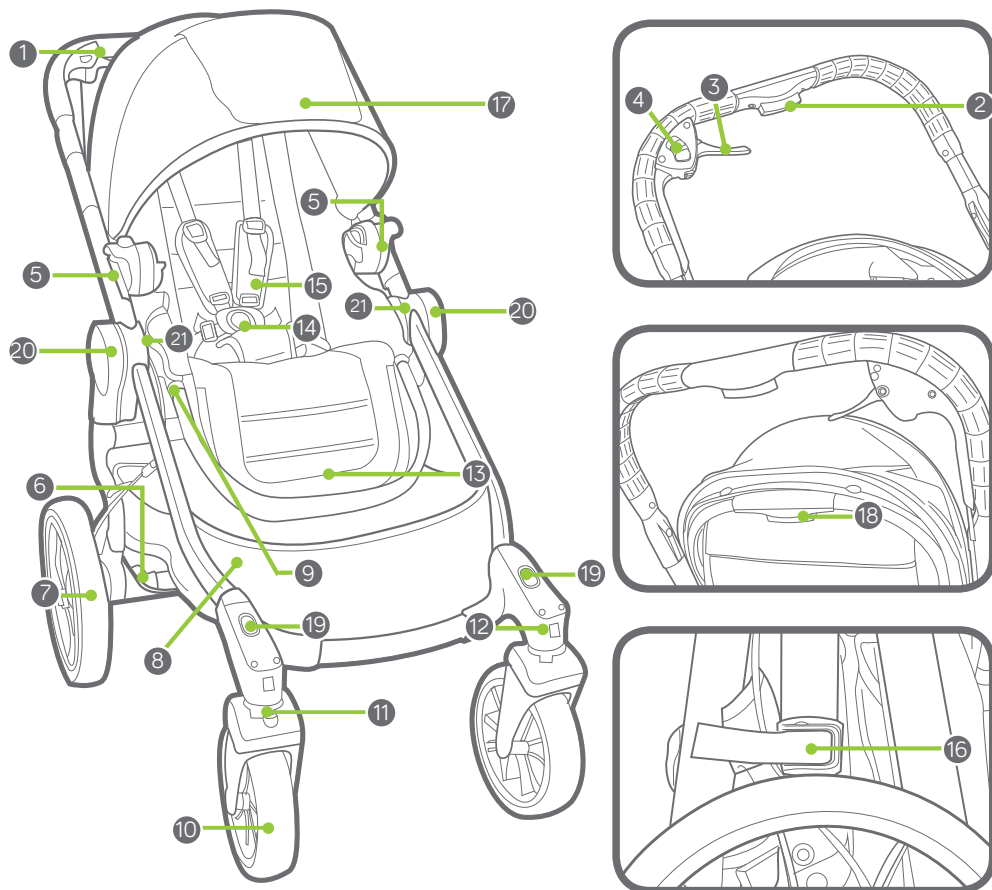
- Běžné opotřebení
- Korozi a rez
- Chybnou montáž, nebo instalaci součástí nebo příslušenství třetích stran, které nejsou kompatibilní s originálním designem
- Náhodné nebo úmyslné poškození, zneužívání nebo zanedbávání, nebo použití na schodech nebo eskalátorech.
- Komerční využití
- Nesprávné skladování / péči o výrobek

Tato záruka výslovně vylučuje nároky na nepřímé, náhodné nebo následné škody. Předpokládáné záruky obchodovatelnosti a vhodnosti pro konkrétní účel, v závislosti na konkrétní záruční době pro tento model v době nákupu. Některé státy nedovolují vyloučení nebo omezení náhodných nebo následných škod, takže výše uvedená omezení nebo vyloučení se na vás nemusí vztahovat. Tato záruka vám poskytuje specifická zákonná práva a můžete mít také další práva, která se liší stát od státu. Chcete-li vědět, jaká jsou vaše zákonná práva ve vašem státu, obraťte se na místní nebo státní úřad pro záležitosti spotřebitelů nebo státního zástupce vašeho státu.

Pokud byl váš kočárek zakoupen mimo území Spojených států, obraťte se prosím na distributora v nejbližší zemi. Jejich kontaktní informace naleznete na našich webových stránkách <http://www.babyjogger.com/retailers/#international>. U záručních nároků mimo zemi, ve které byl výrobek zakoupen, mohou být účtovány poplatky za dopravu.



**POZNÁMKA:** Při kontaktu s distributorem společnosti Baby Jogger ohledně vašeho kočárku mějte prosím připraveno sériové číslo kočárku a datum výroby. Najdete je na pravém skládacím mechanismu.



- |    |                                |    |  |
|----|--------------------------------|----|--|
| 1  | Styr                           | 12 | Udløserknap til forhjul                        |
| 2  | Justeringsknap til styr        | 13 | Vognbund                                       |
| 3  | Bremsegreb                     | 14 | Selespænde                                     |
| 4  | Parkeringsbremsens udløserknap | 15 | Selepuder                                      |
| 5  | Sædets monteringsbeslag        | 16 | Lås til opbevaringsrum                         |
| 6  | Udløserknap til baghjul        | 17 | Kaleche  |
| 7  | Baghjul                        | 18 | Knap til tilbagelæning af stol                 |
| 8  | Opbevaringskurv                | 19 | Monteringsriller på adapter til anden autostol |
| 9  | Justeringsknap til vognbund    | 20 | Håndtag til hurtig sammenklapning              |
| 10 | Forhjul                        | 21 | Slidser til montering af tilbehør              |
| 11 | Drejeled/lås                   |    |  |

# ADVARSEL

VIGTIGT - Gem disse instruktioner til fremtidig reference.

Læs disse instruktioner omhyggeligt før brug.

Dit barns sikkerhed kan påvirkes, hvis du ikke følger disse instruktioner.

**⚠️ ADVARSEL:** Pakker og/eller tilbehør, der placeres på enheden kan forårsage, at enheden bliver ustabil.

**⚠️ ADVARSEL:** Alle vægtbelastninger på håndtaget og/eller bag på ryglænet og/eller på siderne af klapvognen kan påvirke dens stabilitet.

## KLAPVOGN TIL ET BARN

- Denne klapvogn har plads til én passager.

**⚠️ ADVARSEL** Denne sædeenhed er ikke egnet til børn under 6 måneder. Barnets vægt må højst være 15 kg og dets højde må højst være 101,6 cm.

- Samlet anbefalet vægtbelastning for denne klapvogn er 26 kg. 15 kg i sædet, 1 kg i sædets baglomme og 7 kg i kurven.

**⚠️ ADVARSEL:** Denne klapvogn er ikke egnet til løb eller rulleskøjter.

**⚠️ ADVARSEL:** Efterlad aldrig barnet uden opsyn.

**⚠️ ADVARSEL:** Brug altid fastspændingssystemet.

**⚠️ ADVARSEL:** Kontroller, at fastgøringsudstyret til klapvognens krop eller sædeenhed eller autostol går korrekt i indgreb før brug.

**⚠️ ADVARSEL:** For at undgå personskaade skal det sikres, at dit barn holdes væk, når dette produkt udfoldes.

**⚠️ ADVARSEL:** Lås bremserne før du indsætter dit barn og tager det ud, og når som helst klapvognen ikke bevæger sig.

**⚠️ ADVARSEL:** Sørg for, at alle de låsende enheder er i indgreb før brug.

**⚠️ ADVARSEL:** Lad ikke dit barn lege med dette produkt.

- Dette sæde skal bruges i den mest tilbagelænedede stilling, indtil et barn kan sidde op uden hjælp, rulle rundt eller skubbe sig op på sine hænder og knæ.

- Klapvognen er ikke beregnet til at anvendes til transport af børn op eller ned ad trapper eller rulletrapper. Skader som følge af klapvognen vil ikke være dækket af garantien.

- Denne klapvogn erstatter ikke en barneseng eller en seng. Hvis dit barn skal sove, skal det placeres i en passende klapvogn, barneseng eller seng.

- Tilbehør, som ikke er godkendt af Baby Jogger, må ikke anvendes.

- Hold udvig med biler - antag aldrig, at en bilist kan se dig og dit barn.

- Passageren skal forblive siddende (ingen må stå i klapvognen).

- Der må kun anvendes de produktdele, som medfølger, eller som er godkendt af Baby Jogger.

## RAMME

- 1 Tag klapvognens ramme ud af boksen og sæt hjulene til side. Lås klapvognen op ved at trække låsehåndtaget til opbevaringsrummet.
  - 2 Løft styret væk fra den nederste ramme. Klapvognen vil klikke på plads.
  - 3 Placer klapvognen i oprejst position.
- ⚠ ADVARSEL:** Sørg for, at alle de låsende enheder er i indgreb før brug.

## FORHJUL

### 4 Installation

- Læg klapvognen ned på ryggen, så styret hviler på gulvet.
- Fastspænd forhjulet ved at skubbe det ind i forhjulsmonteringen, indtil det klikker på plads. Træk forsigtigt på forhjulet for at sikre, at det er korrekt fastgjort.

### 5 Fjernelse

- Idet der trykkes på forhjulets udløserknop, skal du forsigtigt lade forhjulet glide ud af forhjulsmonteringen.

## DREJELEDETS FUNKTION

- 6 Tryk knappen til drejeledets lås ned og lad drejeledets lås glide til venstre for at låse forhjulets samling i en fast position til langdistancetur.
- 7 Tryk på knappen til drejeleddets lås og lad drejeleddets lås glide til højre for at tillade at forhjulets samling kan dreje.

- ⚠ ADVARSEL:** Når et barn tages ud og indsættes, skal forhjulet låses i en fast position. Selvom din klapvogns forhjul låser, er klapvognen ikke beregnet til jogging eller motionsformål.

## BAGHJUL

### 8 Installation

- Juster baghjulets aksel med hjulmonteringen på klapvognens ramme og indsæt den i hjulmonteringen, indtil den klikker på plads.

- Træk forsigtigt på baghjulet for at sikre, at det er korrekt fastgjort.

### 9 Fjernelse

- Idet du trykker på hjulets udløserknop, skubbes baghjulet forsigtigt ud af hjulmonteringen.

## BREMSE

- 10 Klem bremsegrebet for at aktivere bremsen.
  - 11 Sådan låses parkeringsbremserne: Skub forsigtigt bremsegrebet fremad, indtil det klikker på plads.
  - 12 Sådan frigives parkeringsbremserne: Træk parkeringsbremsens udløserknop mod dig.
- ⚠ ADVARSEL:** Lås bremserne før du indsætter dit barn og tager det ud, og når som helst klapvognen ikke bevæger sig.
- 13 Hvis baghjulene ikke bremser jævnt sammen, kan du justere klapvognens bremser. Bremsen til det hjul, der fortsætter med at dreje selvom du bremser, skal strammes: Find justeringsanordningen på hjulnavet (A) med de løse bremser. Løsn bremsens korte ring (B) for at justere den lange cylinderring (C). Skru den lange cylinderring af hjulnavet (A) for at stramme kablet. (Stram ikke for meget!) Hvis du vil låse ringene, skal du stramme den korte ring (B) mod hjulnavet (A), mens du holder den lange cylinderring (C) på plads. Klem håndbremsen gradvist, så du kan få bedre kontrol over klapvognen.

## SÆDE - FOLD SÆDET UD

- 14 Idet du holder vognbunden og toppen af sædet, skal du åbne sædet.
- 15 Sædet vil låses i sin åbne stilling.

## KALECHE

- 16 Fastspænd kalechen til rammen: Fastspænd kalechens beslag til siderne af sædets ramme.
- 17 Fastgør de to fastgørelsesstrimler på kalechen oven på sædet.

## JUSTERING AF SIKKERHEDSSELERNE

- 18 Fra bagsiden af sædet, løsnes fastgørelsesstrimlen og lommen åbnes for at finde den firkantede plastikprop. Drej proppen og lad den passere gennem åbningerne i PE-brættet og sædets betræk.
- 19 Sæt proppen på plads igen i åbningen tættest på barnets skuldre. Før den tilbage gennem sædets betræk og PE-brættet. Træk i remmen for at sikre, at proppen er

låst. Gentag på begge sider.

**⚠ ADVARSEL:** Undgå alvorlig personskade fra fald eller udglidning. Sikkerhedssele skal altid justeres og fastgøres korrekt.

**⚠ ADVARSEL:** Brug altid skridtremmen i kombination med skulderremmene og hoftebæltet.

20 Lad selepuderne glide op for at få adgang til plastikindføringen på remmen.

21 Hold plastikindføringen og træk i remmen for at stramme eller løsne.

#### BRUG AF SIKKERHEDSSELE

22 Indsæt sideremmens spænde i selespændet på begge sider.

23 Sæt det tilsluttede seletøj og sideremsspænderne ind i skridtspændets sider.

24 Tryk på knappen på skridtspændet for at frigive.

#### PLACER SÆDET PÅ RAMMEN

25 Ret tilbehørets monteringsbeslag ind med monteringsbeslagene på klapvognens ramme.

26 Skub sædet ind i beslagene, indtil det klikker på plads. Det skal sikres, at begge sider af sædet er sikkert fastgjort til rammen før brug.

BEMÆRK: Sædet kan enten monteres, så det vender fremad eller er bagud.

#### FJERN SÆDET

27 Klem de grå faner på monteringsbeslagene og træk op.

**⚠ ADVARSEL:** Tag altid dit barn ud af sædet, før du fjerner sædet fra rammen.

#### LÆN SÆDET TILBAGE

28 Løft det håndtag til tilbagelæning af sædet, der sidder ovenpå sædet bag kalechen.

29 Træk ned for at sænke sædet og træk op for at hæve sædet, indtil det klikker på plads i den ønskede position.

#### JUSTERING AF HÅNDTAGETS HØJDE

30 Tryk på håndtagets justeringsknappen og skub håndtaget op eller ned til den ønskede længde.

#### JUSTERBAR VOGNBUND

31 Juster vinklen: Tryk på justeringsknapperne på vognbunden og flyt vinklen op eller ned, indtil der klikkes på plads på den ønskede position.

#### FJERNELSE AF KURVEN

32 Løsn kurvens øverste trykspænder omkring rammens midterste støttestang. Løsn derefter de nederste trykknapper omkring rammens sidestøttestænger.

33 Løsn den øverste forreste plastikløkke, så den går over metallknoppen på rammens forside. Gentag for den modsatte side.

#### FOLDNING

- Tag dit barn ud af sædet.

- Klappvognen kan foldes, med eller uden sædet fastspændt og vende fremad eller bagud.

- Når foldningen vender bagud, anbefales det, at sædet tilbagelænes hele vejen før foldning.

- For at sædet kan foldes mest kompakt, skal det altid tilbagelænes til dets mest opretstående position og anbringes fremadvendt.

34 Træk sædets vognbund op og fold sædet opad.

35 Træk foldehåndtagene op og lad rammen klappe sammen. Tryk ned på klappvognens ramme med tommelfingeren, så du lettere kan løfte hurtigfold-håndtagene. Sørg for, at opbevaringslåsehåndtaget klikker på plads.

#### AFTAGNING AF SÆDETS BETRÆK

36 Fjern betrækket fra sædets ramme.

37 Fra sædets bagside løsnes kroge og løkken og remmen skubbes gennem D-ringen.

38 Tryk på vognbundens justeringsknapper og træk vognbunden ud for at fjerne vognbundens bjælke fra sædets ramme. Træk sædets betræk ud af kanalen i vognbundens bjælke.

# PLEJE OG VEDLIGEHOLDELSE

For at bevare din klapvogn længst muligt, er det vigtigt at udføre enkel og regelmæssig vedligeholdelse. Fra tid til anden skal du sørge for, at leddene og foldeområder stadig er i god stand. Hvis du hører knirken eller føler spænding, kan du tage din klapvogn til en lokal cykelbutik for ekstra smøring. Alle reparationer skal udføres af en autoriseret forhandler.

## VASK

### Sædets betræk

- Du kan maskinvaske din klapvogns sæde i koldt vand med et mildt rengøringsmiddel.
- Sørg for at fjerne metalrammen og PE-brættene fra sædet før vask.
- Brug ikke opløsningsmidler, kaustiske eller slibende rengøringsmaterialer.
- For at minimere krympning, skal sædet blot fastgøres til rammen igen for at tørre.
- Undlad at trykke på, stryge, tørrense, tørretumble eller vride betrækket.
- Hvis sædebetrækket skal udskiftes, skal du kun bruge dele fra en autoriseret Baby Jogger-forhandler. Disse dele er de eneste, der er garanteret sikkerhedstestet og designet til at passe til dette sæde.

### Plastik-/metaldele

- Tør dem rene ved hjælp af mild sæbe og varmt vand.
- Du må ikke fjerne, demontere eller ændre nogen del af sædets foldemekanisme eller bremses.

### Pleje af hjulet

- Hjulene kan rengøres med en fugtig klud. De skal tørres helt med et blødt håndklæde eller klud.

## OPBEVARING

- Solen kan falme sædets betræk og udtørre dækkene, så hvis du opbevarer din klapvogn indendørs vil det forlænge dens gode udseende.
- Den må IKKE opbevares udendørs.
- Sørg for, at klapvognen er tør inden opbevaring i længere perioder.
- Opbevar altid klapvognen i et tørt miljø.
- Opbevar klapvognen et sikkert sted, når den ikke er i brug (dvs. hvor børn ikke kan lege med den).
- Der må IKKE placeres tunge objekter oven på klapvognen.
- Klapvognen må IKKE opbevares i nærheden af en direkte varmekilde, såsom en radiator eller ild.



# REGISTER DIN KLAPVOGN ONLINE PÅ [www.babyjogger.com/register](http://www.babyjogger.com/register)

## Baby Joggers begrænsede levetidsgaranti:

Baby Jogger garanterer, at rammen er fri for produktfejl i produktets levetid. Produktfejl inkluderer, men er ikke begrænset til, brud på svejsninger og skader på rammens rør. Stof eller blødt sidemateriale og alle andre komponenter skal være garanteret i et år fra købsdatoen (med undtagelse af rør og dæk). Der kræves kvittering for at indsende et garantikrav, og garantien dækker kun den oprindelige køber.

## DENNE GARANTI DÆKKER IKKE:

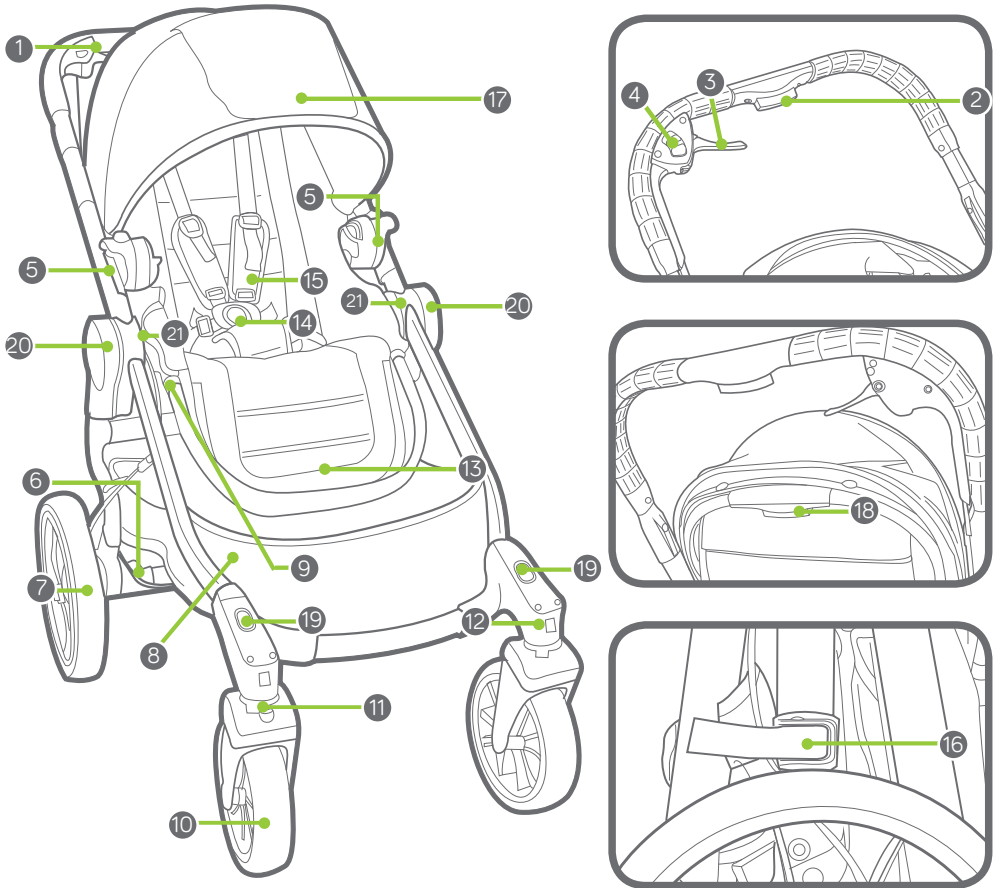
- Normal slid og ælde
- Korrosion eller rust
- Ukorrekt samling eller installation af tredjepartsdele eller tilbehør er ikke forenelige med det oprindelige design
- Utilsigtet eller forsætlig skade, misbrug eller neglichering eller brug på trapper eller rulletrapper.
- Kommerciel brug
- Ukorrekt opbevaring/pleje af enheden

Denne garanti, der specifikt udelukker krav vedr. indirekte, hændelige eller følgeskader. Stiltiende garantier for salgbarhed og egnethed til et bestemt formål gælder ifølge den specifikke garantiperiode for denne modelenhed på købstidspunktet. Nogle lande tillader ikke udelukkelse eller begrænsning af hændelige eller følgeskader, så ovennævnte begrænsninger eller fraskrivelse gælder muligvis ikke for dig. Denne garanti giver dig specifikke juridiske rettigheder, og du kan også have andre rettigheder, som varierer fra land til land. Hvis du vil vide, hvad dine juridiske rettigheder er i dit land, skal du rådføre dig med dit lokale eller statslige kontor for forbrugeranliggender eller dit lands offentlige anklagemyndighed.

Hvis din klapvogn blev købt uden for USA, skal du kontakte distributøren i det land, der er tættest på dig. Deres kontaktoplysninger kan findes på vores hjemmeside på <http://www.babyjogger.com/retailers/#international>. Krav om garanti uden for det land, hvor produktet blev købt kan pådrage forsendelsesomkostninger.



**BEMÆRK:** Når du kontakter Baby Jogger-distributøren vedrørende din klapvogn, bedes du have din klapvogns serienummer og fremstillingsdato klar. De kan findes på den højre foldemekanisme.



- |                                  |  |
|----------------------------------|--|
| 1 Kädensija                      | 12 Etupyörän vapautuspainike                 |
| 2 Kädensijan säätöpainike        | 13 Jalkatila                                 |
| 3 Jarruvipu                      | 14 Valjaiden solki                           |
| 4 Seisontajarrun vapautuspainike | 15 Valjaiden pehmusteet                      |
| 5 Istuimen kiinnityskorvake      | 16 Säilytyslukko                             |
| 6 Takapyörän vapautuspainike     | 17 Kuomu                                     |
| 7 Takapyörä                      | 18 Istuimen kallistuspainike                 |
| 8 Säilytyskori                   | 19 Toisen istuimen sovittimen kiinnitysreiät |
| 9 Jalkatilan säätöpainike        | 20 Pikataittokahvat                          |
| 10 Etupyörä                      | 21 Lisälaitteiden kiinnitysreiät             |
| 11 Kääntyvä nivel / lukko        |  |

# VAROITUS

**TÄRKEÄÄ** – Säilytä nämä ohjeet myöhempää tarvetta varten.  
Lue nämä ohjeet huolellisesti ennen käyttöä.  
Lapsesi turvallisuus voi vaarantua, jos et noudata näitä ohjeita.

## YKSIPAIKKAISET LASTENRATTAAT

- Näissä lastenratteisissa on tilaa yhdelle lapselle.

- ⚠ **VAROITUS** Tämä istuin ei sovellu alle 6 kuukauden ikäisille lapsille. Suurin sallittu paino on 15 kg ja suurin sallittu pituus on 101,6 cm.
- Näiden rattaiden suositeltu kokonaiskuormitus on enintään 26 kg: 15 kg istuimella, 1 kg istuimen takataskussa ja 7 kg korissa.
- ⚠ **VAROITUS**: Nämä lastenrattaat eivät sovellu juoksuun tai rullaluisteluun.
- ⚠ **VAROITUS**: Älä koskaan jätä lasta ilman valvontaa.
- ⚠ **VAROITUS**: Käytä aina vyöjärjestelmää.
- ⚠ **VAROITUS**: Tarkista ennen käyttöä, että kopan tai istuimen tai turvaistuimen kiinnitysmekanismit ovat kunnolla kiinni.
- ⚠ **VAROITUS**: Varmista loukkaantumisvaaran välttämiseksi, ettei lähettyvillä ole lapsia, kun tätä tuotetta taitetaan auki tai kokoon.
- ⚠ **VAROITUS**: Lukitse jarrut aina ennen kuin asetat lapsen rattaisiin tai otat hänet pois ratista ja aina kun rattaat eivät ole liikkeessä.
- ⚠ **VAROITUS**: Varmista ennen käyttöä, että rattaiden lukkomekanismit ovat kaikki kiinni.
- ⚠ **VAROITUS**: Älä anna lasten leikkiä tällä tuotteella.

- ⚠ **VAROITUS**: Rattaisiin asetetut paketit ja lisävarusteet voivat tehdä siitä epävakaan.
- ⚠ **VAROITUS**: Rattaiden työntöaisaan ja/tai selkänojan taakse ja/tai sivuille ripustettu kuorma vaikuttaa rattaiden tasapainoon.
- Tätä istuinta tulee käyttää kallistetuimmassa asennossa, kunnes lapsi pystyy istumaan ilman tukea, kääntymään tai työntämään itsensä ylös käsien ja polvien varaan.
- Rattaita ei ole tarkoitettu kuljettamaan lapsia ylös tai alas portaita tai liukuportaita. Takuu ei kata lastenratteille aiheutuneita vahinkoja.
- Nämä lastenrattaat eivät korvaa kantokoppaa tai sänkyä. Jos lapsen täytyy nukkua, lapsi tulee asettaa sopivaan koppaan tai sänkyyn.
- Lisävarusteita, joita Baby Jogger ei ole hyväksynyt, ei saa käyttää.
- Varo autoja – älä koskaan oletta, että kuljettaja voi nähdä sinut ja lapsesi.
- Ratissa olevan lapsen täytyy pysyä istumassa (ratissa ei saa seisoa).
- Käytä vain Baby Joggerin toimittamia tai hyväksymiä vaihto-osia.

## RUNKO

- 1 Ota lastenrattaiden runko laatikosta ja aseta pyörät sivuun. Avaa rattaiden lukitus vetämällä säilytyslukon vivusta.
- 2 Nosta kädensija ylös rungon alaosasta. Lastenrattaat naksahtavat paikoilleen.
- 3 Aseta lastenrattaat pystyasentoon.

**VAROITUS:** Varmista ennen käyttöä, että rattaiden lukkomekanismit ovat kaikki kiinni.

## ETUPYÖRÄ

### 4 Asennus

- Aseta lastenrattaat selälleen niin, että kädensija lepää lattiaa vasten.
- Kiinnitä etupyörä työntämällä se etupyörän kiinnikkeeseen niin, että kuuluu naksaus. Vedä etupyörästä varovasti varmistaaksesi, että se on kunnolla kiinni.

### 5 Irrottaminen

- Paina etupyörän vapautuspainiketta ja vedä samalla etupyörä varovasti pois etupyörän kiinnikkeestä.

## KÄÄNTYVÄT PYÖRÄT

- 6 Lukitse etupyörä kiinteään asentoon pitkiä työntömatkoja varten painamalla kääntymisen lukituspainiketta ja siirtämällä kääntymislukko vasemmalle.

- 7 Kun haluat, että etupyörät kääntyvät, paina kääntymisen lukituspainiketta ja siirrä kääntymislukko oikealle.

**VAROITUS:** Lukitse etupyörä kiinteään asentoon, ennen kuin asetat lapsen rattaisiin tai poistat hänet rattaista. Vaikka rattaiden etupyörä voidaankin lukita, rattaista ei ole tarkoitettu hölkkäämistä tai kuntoilua varten.

## TAKAPYÖRÄT

### 8 Asennus

- Kohdistat takapyörän akseli lastenrattaiden rungossa olevan pyörän kiinnikkeeseen kanssa ja työnnä akseli pyörän kiinnikkeeseen niin, että akseli naksahtaa paikalleen.
- Vedä takapyörästä varovasti varmistaaksesi, että se on kunnolla kiinni.

### 9 Irrottaminen

- Paina pyörän vapautuspainiketta ja vedä samalla takapyörä varovasti pois pyörän kiinnikkeestä.

## JARRU

- 10 Kytke jarru puristamalla jarruvipua.
- 11 Seisontajarrujen lukitseminen: työnnä jarruvipua varovasti eteenpäin, kunnes se naksahtaa paikalleen.

- 12 Seisontajarrujen vapauttaminen: vedä seisontajarrun vapautuspainiketta itseäsi kohti.

**VAROITUS:** Lukitse jarrut aina ennen kuin asetat lapsen rattaisiin tai otat hänet pois rattaista ja aina kun rattaat eivät ole liikkeessä.

- 13 Jos takapyörät eivät jarruta yhdessä tasaisesti, voit säätää rattaiden jarruja. Jos pyörä jatkaa pyörimistä vielä jarrutettaessakin, kyseisen pyörän jarru täytyy kiristää: Paikanna löysän jarrun pyörän navassa (A) oleva säädin. Löysää jarrun lyhyttä rengasta (B), jotta voit säätää pitkää sylinterirengasta (C). Kierrä pitkää sylinterirengasta auki kauemmaksi pyörän navasta (A) vaijerin kiristämiseksi. (Älä kiristä liikaa!) Lukitse renkaat kiristämällä lyhyt rengas (B) pyörän napaa (A) vasten pitäen samalla pitkää sylinterirengasta (C) paikallaan. Puristamalla käsijarrua asteittain voit hallita rattaista paremmin.

## ISTUIN – ISTUIMEN AVAAMINEN

- 14 Pidä kiinni jalkatilasta ja istuimen yläosasta ja avaa istuin.
- 15 Istuin lukittuu avoimeen asentoon.

## KUOMU

- 16 Kiinnitä kuomu runkoon: kiinnitä kuomun kiinnikkeet istuimen rungon sivuihin.
- 17 Kiinnitä kuomun 2 kiinnitysnauhaa istuimen yläosaan.

## TURVAVALJAIDEN SÄÄTÖ

- 18 Avaa kiinnitysnauha istuimen takaa ja avaa tasku ja etsi nelikulmainen muovipidike. Käännä pidikettä ja vie se PE-levyissä ja istuinkankaassa olevien rekiä läpi.
- 19 Työnnä pidike istuimen aukkoon, joka on lähinnä lapsen olkapäitä. Vie se istuinkankaan ja PE-levyn läpi. Nykäise hihnasta varmistaaksesi, että pidike on lukittu. Tee sama kummallakin puolella.

**VAROITUS:** Vältä putoamisesta tai ulos luisumisesta aiheutuva vakava

loukkaantumisen vaara. Säädä ja kiinnitä turvavaljaat aina oikein.

- VAROITUS:** Käytä aina haarahihnaa yhdessä olkahihnojen ja lannehinnan kanssa.

- 20 Työnnä valjaiden pehmusteita ylös, jotta pääset käsiksi hinnassa olevaan muoviseen ohjaimeseen.
- 21 Pidä kiinni muovisesta ohjaimesta ja kiristä tai löysää hinnasta vetämällä.

#### TURVAVALJAIDEN KÄYTTÖ

- 22 Työnnä kummankin puolen sivuhihnan solki valjaiden solkeen.
- 23 Työnnä yhteen liitetyt valjaiden ja sivuhihnojen soljet haarahihnan solkeen.
- 24 Hihnan vapautetaan painamalla haarahihnan soljessa olevaa painiketta.

#### ASETA ISTUIN RUNKOON

- 25 Kohdista lisävarusteen kiinnikkeet lastenrattaiden rungossa olevien kiinnikkeiden kanssa.
- 26 Työnnä istuin kiinnikkeisiin niin, että se naksahuttaa paikalleen. Varmista ennen käyttöä, että istuimen kumpikin puoli on tukevasti kiinni rungossa.
- HUOMAA:** Istuin voidaan asentaa joko kasvot tai selkä menosuuntaan.

#### ISTUIMEN IRROTTAMINEN

- 27 Paina kiinnikkeissä olevia harmaita kielekkeitä ja vedä ylös.
- VAROITUS:** Ota lapsi aina pois istuimesta, ennen kuin irrotat istuinta rungosta.

#### ISTUIMEN KALLISTAMINEN

- 28 Nosta istuimen yläosassa, kuomun takana olevaa istuimen kallistusvipua.
- 29 Laske istuinta painamalla alas tai nosta istuinta vetämällä ylös, kunnes istuin naksahuttaa haluttuun asentoon.

#### KÄDENSIJAN KORKEUDEN SÄÄTÄMINEN

- 30 Purista kädensijan säätöpainiketta ja vedä tai työnnä kädensija sopivalle korkeudelle.

#### SÄÄDETTÄVÄ JALKATILA

- 31 Kulman säätäminen: paina jalkatilassa olevia säätöpainikkeita ja siirrä jalkatila ylös tai alas, kunnes se naksahuttaa haluttuun asentoon.

#### KORIN IRROTTAMINEN

- 32 Avaa rungon keskimmaisessä tukitangossa olevat korin ylänepparit. Avaa sitten

rungon sivutukitangoissa olevat alanepparit.

- 33 Irrota ylhäällä etupuolella oleva muovilenkki rungon etuosassa olevasta metallinupista. Tee sama vastakkaisella puolella.

#### TAITTAMINEN

- Ota lapsi pois istuimesta.
  - Lastenrattaat voidaan taittaa kokoon joko istuin asennettuna (kasvot tai selkä menosuuntaan) tai ilman istuinta.
  - Kun istuin on asennettuna selkä menosuuntaan, on suositeltavaa, että istuin kallistetaan ääriasentoon ennen kokoon taittamista.
  - Kallista istuin aina mahdollisimman pystysuoraan asentoon ja aseta se kasvot menosuuntaan päin, jotta saat taitettua rattaat mahdollisimman pieneen tilaan.
- 34 Vedä istuimen jalkatilasta ylös ja taita istuin ylöspäin.
- 35 Vedä pikataittokahvoista ylös ja anna rungon painua kasaan. Paina rattaiden runkoa alas peukalollasi, niin pikataittokahvojen nostaminen on helpompaa. Varmista, että säilytyslukon vipu naksahuttaa paikalleen.

#### ISTUINKANKAAN IRROTTAMINEN

- 36 Irrota istuinkangas istuimen rungosta avaamalla nepparit.
- 37 Avaa tarranauha istuimen takaa ja vedä hihna D-renkaan läpi.
- 38 Paina jalkatilan säätöpainikkeita ja irrota jalkatilan tanko istuimen rungosta jalkatilasta vetämällä. Vedä istuinkangas pois jalkatilan tangossa olevasta urasta.

# HOITO JA YLLÄPITO

Yksinkertainen ja säännöllinen huolto on tärkeää lastenrattaiden kestävyden kannalta. Varmista ajoittain, että liitos- ja taittokohdat ovat yhä hyvässä kunnossa. Jos rattaat kitisevät tai tuntuvat jäykiltä, voit viedä ne paikalliseen pyöriiikkeeseen lisävoitelua varten. Kaikki korjaukset täytyy antaa valtuutetun jälleenmyyjän tehtäväksi.

## PESEMINEN

### Istuinkangas

- Voit pestä lastenrattaiden istuimen koneessa miedolla pesuaineella kylmässä vedessä.
- Muista irrottaa metallirunko ja PE-levyt istuimesta ennen pesua.
- Puhdistamiseen ei saa käyttää liuottimia, syövyttäviä tai hankaavia puhdistusaineita.
- Kiinnitä istuin takaisin runkoon kuivumaan, jotta istuin ei kutistu.
- Kangasta ei saa prässätä, silittää, pestä kemiallisessa pesussa, kuivata kuivausrummussa tai vääntää kuivaksi.
- Jos istuimen päällinen tarvitsee vaihtaa, käytä vain valtuutetulta Baby Jogger -jälleenmyyjältä saatavia osia. Ne ovat ainoita osia, joiden turvatarkistus ja sopivuus tähän istuimeen voidaan taata.

### Muovi- ja metalliosat

- Pyyhi puhtaaksi käyttämällä mietoa saippuaa ja lämmintä vettä.
- Istuimen taittomekanismin tai jarrujen osia ei saa irrottaa, purkaa tai muuttaa millään tavoin.

### Pyörien huolto

- Pyörät voidaan puhdistaa kostealla rievulla. Ne täytyy kuivata huolellisesti pehmeällä pyyhkeellä tai rievulla.

## SÄILYTYS

- Auringonvalo voi haalistaa istuinkangasta ja kuivattaa renkaita, joten säilytys sisätiloissa suojaa lastenrattaiden ulkonäköä.
- ÄLÄ säilytä ulkona.
- Varmista, että lastenrattaat ovat kuivat, ennen pitkäaikaista säilytystä.
- Säilytä lastenrattaita aina kuivassa paikassa.
- Säilytä lastenrattaita turvallisessa paikassa, kun niitä ei käytetä, jotta lapset eivät pääse leikkimään niillä.
- ÄLÄ aseta raskaita esineitä lastenrattaiden päälle.
- ÄLÄ säilytä lastenrattaita suoran lämmönlähteen, kuten lämpöpatterin tai tulen, lähellä.

# REKISTERÖI LASTENRATTAASI OSOITTEESSA

## [www.babyjogger.com/register](http://www.babyjogger.com/register)

### Baby Joggerin rajoitettu elinikäinen takuu:

Baby Jogger takaa tuotteen käyttöiän ajan, ettei rungossa ole valmistusvikoja. Valmistusvikoja voivat olla mm. hitsauksien rikkoutuminen ja rungon putkien vioitukset. Tekstiileille tai pehmeille sivumateriaaleille ja kaikille muille osille annetaan yhden vuoden takuu ostopäivästä lukien (putkia ja renkaita lukuun ottamatta). Takuuvaateen tekemiseen tarvitaan ostotosite. Takuu annetaan vain alkuperäiselle ostajalle.

### TÄMÄ TAKUU EI KATA SEURAAVIA:

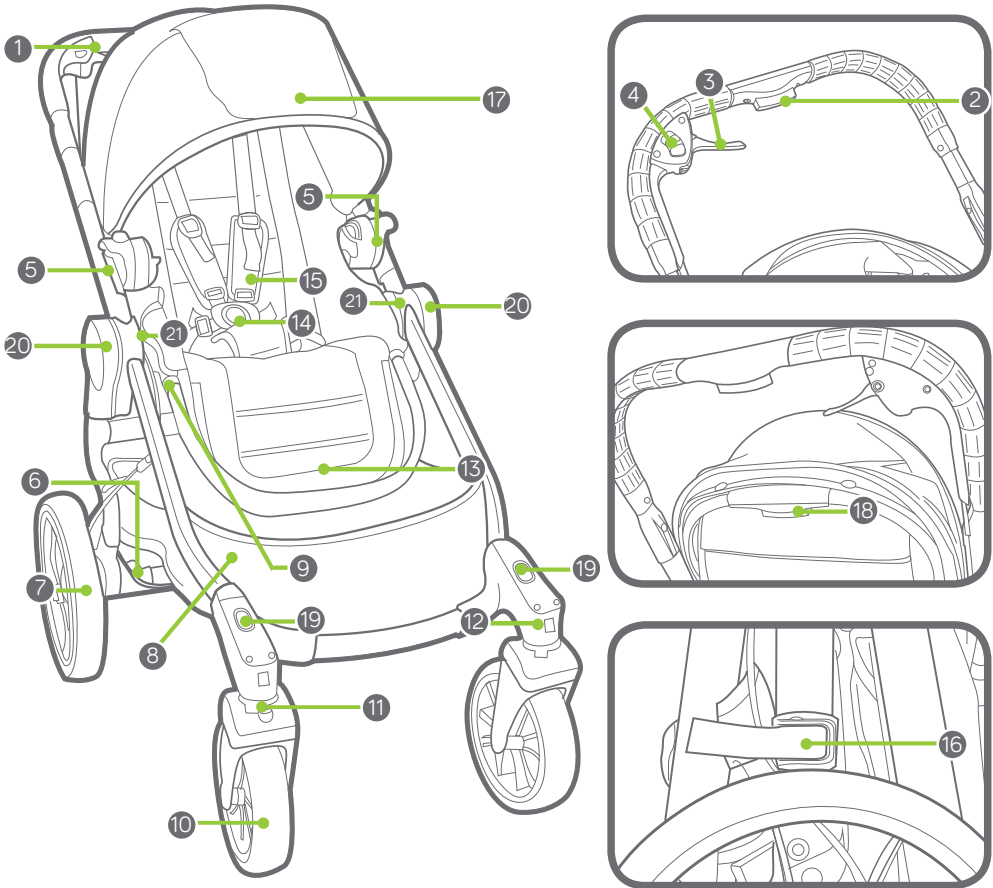
- normaali kuluminen
- syöpyminen tai ruoste
- väärin tehty kokoaminen tai sellaisten kolmannen osapuolen osien tai lisävarusteiden asentaminen, jotka eivät ole yhteensopivia alkuperäisen rakenteen kanssa
- vahingossa tapahtunut tai tahallinen vaurio, väärinkäyttö tai laiminlyönti tai käyttö portaissa tai liukuportaissa
- ammattikäyttö
- vääränlainen säilytys tai kunnossapito.

Tämä takuu ei nimenomaan kata välillisistä tai satunnaisista vahingoista johtuvia korvausvaatimuksia. Kauppakelpoisuutta ja tiettyyn käyttötarkoitukseen sopivuutta koskevat hiljaiset takuut noudattavat tämän mallin takuuaikaa sen ostopäivästä. Joissakin maissa ei sallita satunnaisia tai välillisiä vahinkoja koskevia rajoituksia, joten yllä olevat rajoitukset eivät välttämättä päde. Tämä takuu antaa asiakkaalle tietyt lailliset oikeudet, mutta asiakkaalla saattaa olla myös muita oikeuksia, jotka vaihtelevat maittain. Paikallisia laillisia oikeuksia koskevia tietoja saa kuluttajaneuvonnasta tai muulta vastaavalta viranomaiselta.

Jos lastenrattaat on ostettu Yhdysvaltojen ulkopuolella, ota yhteyttä lähimmän maan jälleenmyyjään. Yhteystiedot löytyvät verkkosivustoltamme osoitteesta <http://www.babyjogger.com/retailers/#international>. Jos takuuvaade tehdään tuotteen ostomaan ulkopuolella, siitä voi aiheutua kuljetuskustannuksia.



**HUOMAA:** Kun otat yhteyttä Baby Joggerin jälleenmyyjään lastenrattaitasi koskevissa asioissa, pidä rattaiden sarjanumero ja valmistuspäivämäärä käsillä. Se on oikeanpuoleisessa taittomekanismissa.



- |    |                                    |    |   |
|----|------------------------------------|----|---|
| 1  | Λαβή                               | 12 | Κουμπί άφησης πρόσθιου τροχού                   |
| 2  | Κουμπί ρύθμισης λαβής              | 13 | Χώρος ποδιών                                    |
| 3  | Λεβιέ φρένου                       | 14 | Πόρπη ζώνης                                     |
| 4  | Κουμπί άφησης φρένου παρκαρίσματος | 15 | Επιθέματα ζώνης                                 |
| 5  | Αγκύλη στήριξης καθίσματος         | 16 | Κλειδαριά αποθήκης                              |
| 6  | Κουμπί άφησης οπίσθιου τροχού      | 17 | Κάλυμμα   |
| 7  | Οπίσθιος τροχός                    | 18 | Κουμπί ανάκλισης καθίσματος                     |
| 8  | Καλάθι αποθήκευσης                 | 19 | Σχισμές εγκατάστασης προσαρμογέα 2ου καθίσματος |
| 9  | Κουμπί ρύθμισης του χώρου ποδιών   | 20 | Λαβές που διπλώνονται εύκολα                    |
| 10 | Πρόσθιος τροχός                    | 21 | Σχισμές τοποθέτησης εξαρτημάτων                 |
| 11 | Στροφέας/Κλειδαριά                 |    |   |



# ΠΡΟΕΙΔΟΠΟΙΗΣΗ

**ΣΗΜΑΝΤΙΚΟ** – Φυλάξτε αυτές τις οδηγίες για μελλοντική αναφορά.

Διαβάστε αυτές τις οδηγίες προσεκτικά πριν από τη χρήση. Ενδέχεται να επηρεαστεί η ασφάλεια του παιδιού σας εάν δεν τηρήσετε αυτές τις οδηγίες.

## ΜΟΝΟ ΠΑΙΔΙΚΟ ΚΑΡΟΤΣΙ

- Το καρότσι αυτό είναι για ένα μόνο επιβάτη.

- ⚠ **ΠΡΟΕΙΔΟΠΟΙΗΣΗ** Αυτό το κάθισμα δεν είναι κατάλληλο για παιδιά ηλικίας κάτω των 6 μηνών. Το μέγιστο βάρος είναι 20 κιλά, το μέγιστο ύψος είναι 101,6 εκ.
- Το συνολικό βάρος που συνιστάται για αυτό το καρότσι είναι 26 κιλά. 20 κιλά στο κάθισμα, 1 κιλό στην πίσω στέπα καθίσματος και 7 κιλά στο καλάθι.
- ⚠ **ΠΡΟΕΙΔΟΠΟΙΗΣΗ:** Αυτό το παιδικό καρότσι δεν είναι κατάλληλο για τρέξιμο ή πατίνια
- ⚠ **ΠΡΟΕΙΔΟΠΟΙΗΣΗ:** Μην αφήνετε ποτέ το παιδί σας απαρατήρητο.
- ⚠ **ΠΡΟΕΙΔΟΠΟΙΗΣΗ:** Να χρησιμοποιείτε πάντοτε το σύστημα ζώνης.
- ⚠ **ΠΡΟΕΙΔΟΠΟΙΗΣΗ:** Βεβαιωθείτε ότι το μέρος που κάθετε το παιδί ή η προσάρτηση καθίσματος ή οι συσκευές προσάρτησης του καθίσματος αυτοκινήτου έχουν συνδεθεί σωστά πριν από τη χρήση.
- ⚠ **ΠΡΟΕΙΔΟΠΟΙΗΣΗ:** Προς αποφυγή τραυματισμού, βεβαιωθείτε ότι το παιδί σας φυλάσσετε πάντοτε μακριά όταν ξεδιπλώνετε και διπλώνετε αυτό το προϊόν.
- ⚠ **ΠΡΟΕΙΔΟΠΟΙΗΣΗ:** Μην αφήνετε το παιδί σας να παίξει με αυτό το προϊόν.
- ⚠ **ΠΡΟΕΙΔΟΠΟΙΗΣΗ:** Κλειδώστε τα φρένα προτού βάλετε ή βγάλετε το παιδί σας και όποτε δεν κινείται το καρότσι.

⚠ **ΠΡΟΕΙΔΟΠΟΙΗΣΗ:** Βεβαιωθείτε ότι όλες οι συσκευές κλειδώματος έχουν συνδεθεί πριν από την χρήση.

⚠ **ΠΡΟΕΙΔΟΠΟΙΗΣΗ:** Κουτιά ή εξαρτήματα ή και τα δύο που τοποθετούνται στο καρότσι ενδέχεται να προκαλέσουν αστάθεια στο καρότσι.

- ⚠ **ΠΡΟΕΙΔΟΠΟΙΗΣΗ:** Οποιοδήποτε φορτίο πάνω στη λαβή ή και στο πίσω μέρος της πλάτης ή και στα πλαϊνά του οχήματος επηρεάζει τη σταθερότητα του οχήματος.
- Το κάθισμα αυτό πρέπει να χρησιμοποιείται στην πιο ξαπλωμένη θέση μέχρις ότου το παιδί μπορεί να καθίσει από μόνο του, να γυρίσει ή να στρώξει τον εαυτό του να σηκωθεί με τα χέρια του και τα γόνατά του.
- Το παιδικό καρότσι δεν προορίζεται να χρησιμοποιηθεί για να μεταφέρει τα παιδιά επάνω ή κάτω σε σκάλες ή κυλιόμενες σκάλες. Τυχόν ζημιά που μπορεί να προκληθεί στο καρότσι δεν θα καλύπτεται υπό την εγγύηση.
- Αυτό το παιδικό καρότσι δεν αντικαθιστά ένα ράντσο ή ένα κρεβάτι. Εάν το παιδί σας πρέπει να κοιμηθεί, πρέπει να τοποθετηθεί σε κατάλληλο κάθισμα καροτσιού, ράντσο, ή κρεβάτι.
- Δεν πρέπει να χρησιμοποιηθούν εξαρτήματα που δεν έχουν εγκριθεί από την Baby Jogger.
- Προσέξτε τα αυτοκίνητα – μην νομίζετε ποτέ ότι μπορεί ένας οδηγός να δει εσάς και το παιδί σας.
- Ο επιβάτης πρέπει να παραμείνει καθισμένος (να μην στέκεται μέσα στο καρότσι).
- Χρησιμοποιείτε μόνο αξεσουάρ π.χ παιδικά καθισματάκια, άγκιστρα από τσάντες, κάλυμμα για βροχή κτλ. που είναι εγκεκριμένα από τον Baby Jogger.

## ΠΛΑΙΣΙΟ

1 Ξεπακετάρετε το πλαίσιο του παιδικού καροτσιού από το κουτί και βάλτε τους τροχούς στην άκρη. Ξεκλειδώστε το παιδικό καρότσι τραβώντας το Μαχλό Κλειδώματος Αποθήκευσης.

2 Σηκώστε τη λαβή μακριά από το κάτω πλαίσιο. Το παιδικό καρότσι θα μπει στη θέση του.

3 Βάλτε το παιδικό καρότσι στην όρθια θέση.

**⚠️ ΠΡΟΕΙΔΟΠΟΙΗΣΗ:** Βεβαιωθείτε ότι όλες οι συσκευές κλειδώματος έχουν συνδεθεί πριν από την χρήση.

## ΠΡΟΣΘΙΟΣ ΤΡΟΧΟΣ

### 4 Εγκατάσταση

- Ξαπλώστε το καρότσι έτσι ώστε η λαβή να βρίσκεται στο πάτωμα.
- Συνδέστε τον πρόσθιο τροχό γλιστρώντας τον μέσα στο πρόσθιο τμήμα τροχού μέχρις ότου ακούσετε ένα «κλικ». Τραβήξτε απαλά τον πρόσθιο τροχό για να βεβαιωθείτε ότι έχει συνδεθεί σωστά.

### 5 Αφαίρεση

- Ενώ πατάτε το κουμπί άφησης του πρόσθιου τροχού, ολισθαίνετε απαλά τον πρόσθιο τροχό έξω από το τμήμα του πρόσθιου τροχού.

## ΧΑΡΑΚΤΗΡΙΣΤΙΚΟ ΣΤΡΟΦΕΑ

6 Πατήστε το κουμπί κλειδώματος στροφέα προς τα κάτω και γλιστρήστε την κλειδαριά στροφέα προς τα αριστερά για να κλειδωθεί η διάταξη πρόσθιου τροχού σε σταθερή θέση για διάβαση μεγάλης απόστασης.

7 Πατήστε το κουμπί κλειδώματος στροφές προς τα κάτω και γλιστρήστε την κλειδαριά στροφέα προς τα δεξιά για να αφήσετε τη διάταξη πρόσθιου τροχού να στραφεί.

**⚠️ ΠΡΟΕΙΔΟΠΟΙΗΣΗ:** Όταν βάζετε και βγάζετε το παιδί από το καρότσι, κλειδώστε τον πρόσθιο τροχό σε σταθερή θέση. Αν και ο πρόσθιος τροχός του καροτσιού σας κλειδώνει, δεν προορίζεται για τζόκινγκ ή σκοπούς εξάσκησης.

## ΠΙΣΩ ΤΡΟΧΟΙ

### 8 Εγκατάσταση

- Ευθυγραμμίστε τον άξονα του πίσω τροχού με το τμήμα εγκατάστασης τροχού στο πλαίσιο του καροτσιού και εισάγετέ το μέσα στο τμήμα εγκατάστασης τροχού μέχρις ότου μπει στη θέση του.
- Τραβήξτε απαλά τον πίσω τροχό για να βεβαιωθείτε ότι έχει συνδεθεί σωστά.

### 9 Αφαίρεση

- Ενώ πιέζετε το κουμπί άφησης τροχού, γλιστρήστε απαλά τον πίσω τροχό έξω από το τμήμα εγκατάστασης τροχού.

## ΦΡΕΝΟ

10 Για να πιαστεί το φρένο ζουλήξτε το λεβιέ φρένου..

11 Για να ασφαλίσετε τα φρένα παρκαρίσματος: Τραβήξτε απαλά το λεβιέ φρένου προς τα εμπρός μέχρις ότου κάνει κλικ στη θέση του.

12 Για να βγάλετε τα φρένα παρκαρίσματος: Τραβήξτε το κουμπί άφησης φρένου παρκαρίσματος προς το μέρος σας.

**⚠️ ΠΡΟΕΙΔΟΠΟΙΗΣΗ:** Κλειδώστε τα φρένα προτού βάλτε ή βγάλετε το παιδί σας και όποτε δεν κινείται το καρότσι.

13 Εάν οι πίσω τροχοί δεν σταματούν μαζί εξίσου, μπορείτε να ρυθμίσετε τα φρένα του καροτσιού. Το φρένο για τον τροχό που συνεχίζει να γυρνάει ενώ πατιέται το φρένο πρέπει να σφιχτεί: Εντοπίστε το ρυθμιστή στον άξονα του τροχού (A) με τα φρένα χαλαρά. Χαλαρώνετε τον κοντό δακτύλιο του φρένου (B) για να ρυθμιστεί ο μακρύς κύλινδρος (C). Ξεβιδώστε τον μακρύ κύλινδρο πέρα από τον άξονα του τροχού (A) για να σφιχτεί το καλώδιο. (Μην το σφίγγετε υπερβολικά!) Για να ασφαλιστούν οι δακτύλιοι, σφίξτε τον μικρό δακτύλιο (B) έναντι του άξονα τροχού (A) ενώ κρατάτε τον μακρύ κύλινδρο (C) στη θέση του. Ζουλήξτε το χειρόφρενο σταδιακά για να έχετε καλύτερο έλεγχο στο καρότσι σας.

## ΚΑΘΙΣΜΑ – ΞΕΔΙΠΛΩΣΤΕ ΤΟ ΚΑΘΙΣΜΑ

14 Κρατώντας τον χώρο ποδιών και το πάνω μέρος του καθίσματος, ανοίξτε το κάθισμα.

15 Το κάθισμα θα κλειδωθεί στην ανοιχτή θέση του

## ΚΑΛΥΜΜΑ

16 Συνδέστε το κάλυμμα με το πλαίσιο: Συνδέστε τα άγκιστρα του καλύμματος με τις πλευρές του πλαισίου καθίσματος.

17 Συνδέστε τις 2 λωρίδες σύνδεσης στο σκέπαστρο στο επάνω μέρος του καθίσματος.

## ΡΥΘΜΙΣΗ ΤΗΣ ΖΩΝΗΣ

18 Από το πίσω μέρος του καθίσματος, ανοίξτε τις λωρίδες σύνδεσης και ανοίξτε την τσέπη για να εντοπίσετε το πλαστικό τετράγωνο στοπ. Περιστρέψτε το στοπ και περάστε το μέσα από τα ανοίγματα στον πίνακα PE και στο ύφασμα του καθίσματος.

19 Επανεισάγετε το στοπ στο άνοιγμα του καθίσματος που βρίσκεται πλησιέστερα στον ώμο του παιδιού. Περάστε το πίσω μέσα από το ύφασμα του καθίσματος και τον πίνακα PE. Τραβήξτε τη λωρίδα για να βεβαιωθείτε ότι έχει κλειδωθεί το στοπ. Το επαναλαμβάνετε και στις δύο πλευρές.

**⚠️ ΠΡΟΕΙΔΟΠΟΙΗΣΗ:** Αποφύγετε σοβαρό τραυματισμό από πέσιμο ή γλιστρήμα

προς τα έξω. Να ρυθμίζετε πάντοτε σωστά και να δένετε τη ζώνη.

- ▲ ΠΡΟΕΙΔΟΠΟΙΗΣΗ:** Να χρησιμοποιείτε πάντοτε τη ζώνη του καβάλου σε συνδυασμό με τις λωρίδες του ώμου και τη ζώνη της μέσης.

- 20 Γλιστρήστε τα επιθέματα της ζώνης προς τα επάνω για να έχετε πρόσβαση στον πλαστικό οδηγό στη λωρίδα.  
21 Κρατήστε τον πλαστικό οδηγό και τραβήξτε τη λωρίδα για να τη σφίξετε ή για να τη χαλαρώσετε.

#### ΧΡΗΣΗ ΤΗΣ ΖΩΝΗΣ ΑΣΦΑΛΕΙΑΣ

- 22 Εισάγετε την πόρπη της πλευρικής λωρίδας στην πόρπη της ζώνης και στις δύο πλευρές.  
23 Εισάγετε τη συνδεόμενη ζώνη και τις πόρπες της πλευρικής λωρίδας στις πλευρές της πόρπης καβάλου.  
24 Πιέστε το κουμπί στην πόρπη καβάλου για να αφαιρεθεί.

#### ΤΟΠΟΘΕΤΗΣΤΕ ΤΟ ΚΑΘΙΣΜΑ ΣΤΟ ΠΛΑΙΣΙΟ

- 25 Ευθυγραμμίστε τα άγκιστρα τοποθέτησης εξαρτήματος με τα άγκιστρα τοποθέτησης στο πλαίσιο του καρτσιού.  
26 Γλιστρήστε το κάθισμα στα άγκιστρα μέχρις ότου μπει στη θέση του. Βεβαιωθείτε ότι και οι δύο πλευρές του καθίσματος έχουν δεθεί σωστά στο πλαίσιο πριν από τη χρήση.

**ΣΗΜΕΙΩΣΗ:** Το κάθισμα μπορεί να εγκατασταθεί είτε κοιτώντας προς τα εμπρός ή κοιτώντας προς τα πίσω.

#### ΒΓΑΛΤΕ ΤΟ ΚΑΘΙΣΜΑ

- 27 Πιέστε τις γκριζες γλωττίδες στα άγκιστρα τοποθέτησης και τραβήξτε προς τα επάνω.

- ▲ ΠΡΟΕΙΔΟΠΟΙΗΣΗ:** Βγάλτε πάντοτε το παιδί σας από το κάθισμα προτού αφαιρέσετε το κάθισμα από το πλαίσιο.

#### ΑΝΑΚΛΙΣΗ ΤΟΥ ΚΑΘΙΣΜΑΤΟΣ

- 28 Σηκώστε το μοχλό ανάκλισης καθίσματος που βρίσκεται στο επάνω μέρος του καθίσματος, πίσω από το κάλυμμα.  
29 Τραβήξτε προς τα κάτω για να χαμηλωθεί το κάθισμα και τραβήξτε προς τα επάνω για να σηκωθεί το κάθισμα μέχρις ότου μπει στη θέση που θέλετε.

#### ΡΥΘΜΙΣΗ ΥΨΟΥΣ ΤΗΣ ΛΑΒΗΣ

- 30 Ζουλήξτε το κουμπί ρύθμισης λαβής και γλιστρήστε τη λαβή προς τα επάνω ή προς τα κάτω στο μήκος που θέλετε.

#### ΡΥΘΜΙΖΟΜΕΝΟΣ ΧΩΡΟΣ ΠΟΔΙΩΝ

- 31 Ρυθμίστε τη γωνία: Πιέστε τα κουμπιά ρύθμισης στο χώρο ποδιών και μετακινήστε το προς τα επάνω ή προς τα κάτω μέχρις ότου μπει στην επιθυμητή θέση.

#### ΑΦΑΙΡΕΣΗ ΚΑΛΑΘΙΟΥ

- 32 Ξεκουμπώστε τα πάνω κουμπιά του καλαθιού γύρω από τη μέση της μπάρας στήριξης στο πλαίσιο. Μετά ξεκουμπώστε τα κουμπιά γύρω από τις μπάρες στήριξης στο πλαίσιο.

- 33 Απαγκιστρώστε την άνω μπροστινή πλαστική θηλιά πάνω από το μεταλλικό κουμπί στο μπροστινό μέρος του πλαισίου. Το επαναλαμβάνετε στην αντίθετη πλευρά.

#### ΔΙΠΛΩΜΑ

- Βγάλτε το παιδί σας από το κάθισμα.
- Το παιδικό καρτσι μπορεί να διπλωθεί με ή χωρίς το κάθισμα προσαρτημένο, και είτε κοιτάει προς τα εμπρός ή προς τα πίσω.
- Όταν διπλώνετε ενώ κοιτάζει προς τα πίσω, συνιστάται να έχει ξαπλωθεί το κάθισμα μέχρι τέλος προτού το διπλώσετε.
- Να διπλώνετε το κάθισμα πάντοτε στην πιο όρθια θέση του και να το τοποθετείτε έτσι να κοιτάζει μπροστά για το πιο συμπαγές δίπλωμα.

- 34 Τραβήξτε τον χώρο ποδιών προς τα επάνω και διπλώστε το κάθισμα προς τα επάνω.

- 35 Τραβήξτε τις λαβές ταχείας δίπλωσης προς τα επάνω και αφήστε το σκελετό να πέσει. Σπρώξτε το σκελετό του καρτσιού προς τα κάτω με τον αντίχειρά σας για να σηκώσετε τις λαβές ταχείας δίπλωσης πιο εύκολα. Σιγουρευτείτε ότι το λεβιέ ασφάλισης αποθήκευσης έχει μπει στη θέση του.

#### ΑΦΑΙΡΕΣΗ ΤΟΥ ΥΦΑΣΜΑΤΟΣ ΚΑΘΙΣΜΑΤΟΣ

- 36 Ξεκουμπώστε το ύφασμα καθίσματος από το πλαίσιο καθίσματος.  
37 Από το πίσω μέρος του καθίσματος, ξεκουμπώστε το άγκιστρο και το βρόγχο και περάστε τη λωρίδα μέσα από το δακτύλιο D.  
38 Πιέστε τα κουμπιά ρύθμισης του χώρου ποδιών και τραβήξτε τον χώρο ποδιών προς τα έξω για να βγει η μπάρα του χώρου ποδιών από το σκελετό του καθίσματος. Τραβήξτε το ύφασμα του καθίσματος έξω από το κανάλι στη μπάρα του χώρου ποδιών.

# ΦΡΟΝΤΙΔΑ ΚΑΙ ΣΥΝΤΗΡΗΣΗ

Για να διαρκέσει το παιδικό καρότσι που έχετε για πολλά χρόνια, είναι σημαντικό να εκτελέσετε απλή, τακτική συντήρηση. Ανά καιρούς, σιγουρευτείτε ότι οι αρθρώσεις και οι περιοχές διπλώματος βρίσκονται σε καλή κατάσταση. Εάν ακούσετε τρίζιμο ή αισθανθείτε τάση, μπορείτε να πάτε το παιδικό καρότσι σας σε ένα τοπικό κατάστημα ποδηλάτων για επιπρόσθετη λίπανση. Όλες οι επισκευές πρέπει να εκτελούνται από εξουσιοδοτημένο αντιπρόσωπο.

## ΠΛΥΣΙΜΟ

### Ύφασμα καθίσματος

- Μπορείτε να πλύνετε το ύφασμα καθίσματος του καροτσιού σας στο πλυντήριο με κρύο νερό και ήπιο απορρυπαντικό.
- Σιγουρευτείτε ότι έχετε αφαιρέσει το μεταλλικό πλαίσιο και τους πίνακες PE από το κάθισμα προτού το πλύνετε.
- Μη χρησιμοποιείτε διαλυτικά, καυστικά ή διαβρωτικά υλικά καθαρισμού.
- Για να μειώσετε το ζάρωμα, επανασυνδέστε απλά το κάθισμα στο πλαίσιο για να στεγνώσει.
- Μην το πιέζετε, το σιδερώνετε, το καθαρίζετε στο καθαριστήριο, στο στεγνωτήριο ούτε να στραγγίζετε το ύφασμα.
- Εάν τα καλύμματα του καθίσματος πρέπει να αντικατασταθούν, χρησιμοποιήστε μόνο εξαρτήματα από Εξουσιοδοτημένο Αντιπρόσωπο της Baby Jogger. Είναι τα μόνα που θα έχουν εξεταστεί ασφαλώς και σχεδιαστεί εγγυημένα για να ταιριάζουν με αυτό το κάθισμα.

### Πλαστικά/μεταλλικά εξαρτήματα

- Σκουπίστε τα για να καθαρίσουν με ήπιο σαπούνι και ζεστό νερό.
- Δεν πρέπει να αφαιρέσετε, να

αποσυναρμολογήσετε ούτε να τροποποιήσετε κανένα εξάρτημα του μηχανισμού διπλώματος του καθίσματος ή τα φρένα.

### Φροντίδα τροχών

- Οι τροχοί μπορεί να πλυθούν χρησιμοποιώντας ένα υγρό πανί. Πρέπει να στεγνωθούν πλήρως με μια μαλακιά πετσέτα ή πανί.

### ΑΠΟΘΗΚΕΥΣΗ

- Το ηλιακό φως ενδέχεται να ξεθωριάσει το ύφασμα καθίσματος και να αποξηράνει τις ρόδες, και ως εκ τούτου η αποθήκευση του καροτσιού σε εσωτερικό χώρο θα το κρατήσει σε καλή κατάσταση για μεγαλύτερο χρονικό διάστημα.
- ΜΗΝ το αποθηκεύετε σε εξωτερικό χώρο.
- Βεβαιωθείτε ότι το παιδικό καρότσι είναι στεγνό προτού το αποθηκεύσετε για μακροχρόνιες περιόδους.
- Να αποθηκεύετε πάντοτε το παιδικό καρότσι σε στεγνό περιβάλλον.
- Αποθηκεύστε το παιδικό καρότσι σε ασφαλές μέρος όταν δεν το χρησιμοποιείτε (π.χ., όπου τα παιδιά δεν μπορούν να παίξουν με αυτό.)
- ΜΗΝ τοποθετείτε βαριά αντικείμενα επάνω στο παιδικό καρότσι.
- ΜΗΝ αποθηκεύετε το παιδικό καρότσι κοντά σε πηγή θερμότητας όπως καλοριφέρ ή φωτιά.

# ΚΑΤΑΓΡΑΨΤΕ ΤΟ ΠΑΙΔΙΚΟ ΚΑΡΟΤΣΙ ΣΑΣ ΟΝΛΑΪΝ ΣΤΗ ΔΙΕΥΘΥΝΣΗ [www.babyjogger.com/register](http://www.babyjogger.com/register)

Περιορισμένη Εγγύηση από την Baby Jogger:

Η Baby Jogger εγγυάται ότι το πλαίσιο δεν φέρει ελαπτώματα κατασκευής για όλη τη διάρκεια ζωής του προϊόντος. Τα ελαπτώματα κατασκευής περιλαμβάνουν, μεταξύ άλλων, το σπάτισμο των συγκολλήσεων και τη ζημιά στο σωλήνα πλαισίου. Τα υφαντουργικά προϊόντα ή τα μαλακά υλικά πλευρών και όλα τα άλλα εξαρτήματα θα φέρουν εγγύηση για ένα έτος από την ημερομηνία αγοράς (εκτός από σωλήνες και ρόδες). Απαιτείται η απόδειξη αγοράς για να υποβάλλετε αποζημίωση εγγύησης και η εγγύηση ισχύει μόνο για τον αρχικό αγοραστή.

Η ΕΓΓΥΗΣΗ ΑΥΤΗ ΔΕΝ ΚΑΛΥΠΤΕΙ:

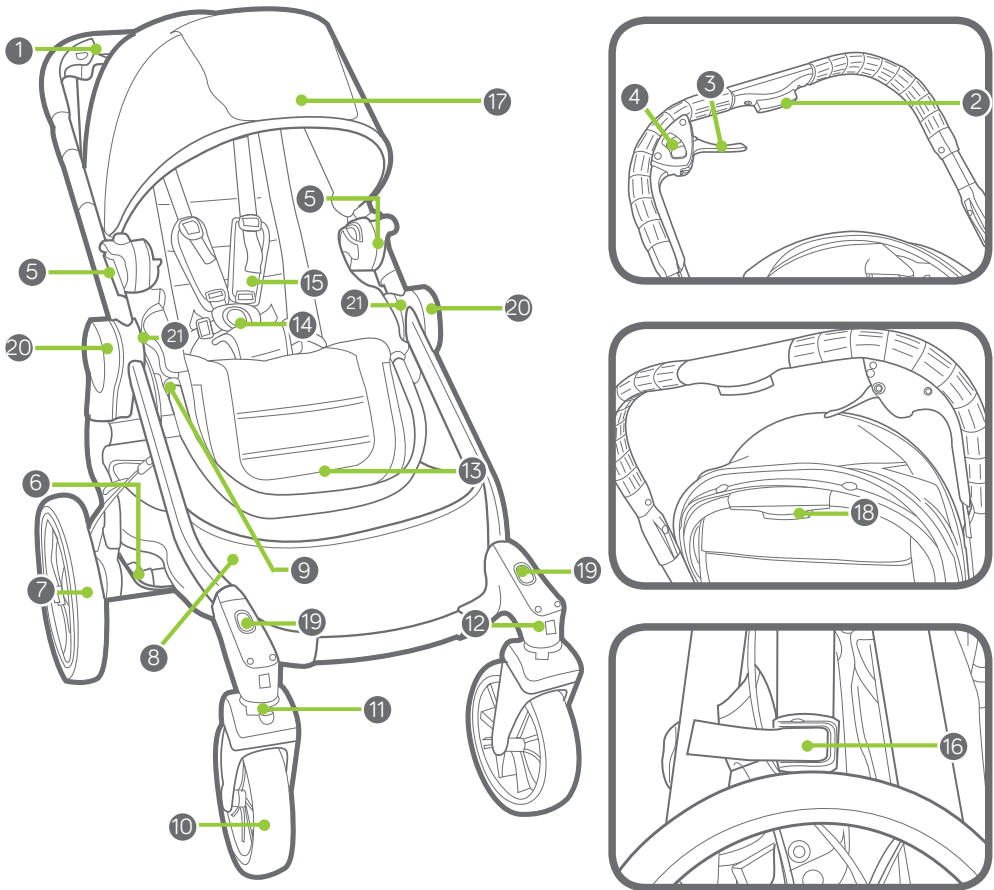
- Φυσική φθορά
- Διάβρωση ή σκουρίασμα
- Λανθασμένη συναρμολόγηση, ή την εγκατάσταση εξαρτημάτων τρίτου μέρους ή εξαρτήματα που δεν είναι συμβατά με το αρχικό σχέδιο
- Τυχαία ή εκούσια ζημιά, κακή χρήση ή αμέλεια, ή χρήση σε σκάλες και κυλιόμενες σκάλες.
- Εμπορική χρήση
- Ακατάλληλη αποθήκευση/φροντίδα του καροτσιού

Αυτή η εγγύηση αποκλείει αποκλειστικά αποζημιώσεις για έμμεσες, τυχαίες ή επακόλουθες ζημιές. Οι υπονοούμενες εγγυήσεις εμπορικότητας και καταλληλότητας για ένα συγκεκριμένο σκοπό υπάρχει σύμφωνα με τη συγκεκριμένη περίοδο εγγύησης για αυτό το μοντέλο καροτσιού κατά την ώρα της αγοράς. Ορισμένες πολιτείες δεν επιτρέπουν τον αποκλεισμό ή τον περιορισμό τυχαίων ή επακόλουθων ζημιών, και έτσι οι ανωτέρω περιορισμοί ή αποκλεισμοί ενδέχεται να μην ισχύουν για εσάς. Η εγγύηση αυτή σας δίνει αποκλειστικά νομικά δικαιώματα, και ίσως να έχετε και άλλα δικαιώματα που διαφέρουν από πολιτεία σε πολιτεία. Για να μάθετε τα νομικά σας δικαιώματα στην πολιτεία που ζείτε, συμβουλευθείτε το τοπικό σας γραφείο υποθέσεων καταναλωτών της πολιτείας σας ή τον Γενικό Νομικό Σύμβουλο της πολιτείας.

Εάν αγοράσατε το καρότσι σας εκτός των Ηνωμένων Πολιτειών, παρακαλούμε να επικοινωνήσετε με το διανομέα στη χώρα που βρίσκεται πλησίον σας. Οι πληροφορίες επικοινωνίας τους βρίσκονται στον ιστότοπο <http://www.babyjogger.com/retailers/#international>. Οι αποζημιώσεις για εγγύηση εκτός της χώρας στην οποία αγοράστηκε το προϊόν ενδέχεται να φέρουν μεταφορικά έξοδα.



**ΣΗΜΕΙΩΣΗ:** Όταν επικοινωνείτε με τον αντιπρόσωπο της Baby Jogger σχετικά με το καρότσι σας, παρακαλούμε να έχετε πρόχειρο τον αύξοντα αριθμό του καροτσιού και την ημερομηνία κατασκευής του. Μπορείτε να τα βρείτε αυτά στο δεξιό μηχανισμό δίπλωσης.



- |    |                                     |    |   |
|----|-------------------------------------|----|---|
| 1  | Ručka                               | 12 | Gumb za otpuštanje prednjih kotača              |
| 2  | Gumb za prilagodbu ručke            | 13 | Naslon za noge                                  |
| 3  | Ručica kočnice                      | 14 | Kopča pojasa                                    |
| 4  | Gumb za otpuštanje parkirne kočnice | 15 | Jastučići pojasa                                |
| 5  | Nosač za postavljanje sjedala       | 16 | Blokada za zatvaranje                           |
| 6  | Gumb za otpuštanje stražnjih kotača | 17 | Krović  |
| 7  | Stražnji kotač                      | 18 | Gumb za spuštanje naslona sjedala               |
| 8  | Košara za pohranu                   | 19 | Utori za postavljanje adaptera za drugo sjedalo |
| 9  | Gumb za prilagodbu naslona za noge  | 20 | Ručke za brzo sklapanje                         |
| 10 | Prednji kotač                       | 21 | Utori za postavljanje pribora                   |
| 11 | Okretanje/blokada                   |    |   |

# UPOZORENJE

**VAŽNO** – Sačuvajte ove upute za buduću upotrebu.

Pažljivo pročitajte ove upute prije upotrebe. Sigurnost vašeg djeteta može biti ugrožena ako ne slijedite ove upute.

## KOLICA ZA JEDNO DIJETE

- Ova kolica namijenjena su jednom djetetu.

- ⚠ **UPOZORENJE:** Ova kolica nisu prikladna za djecu mlađu od 6 mjeseci. Maksimalna težina je 15 kg; maksimalna visina je 101,6 cm.
- Ukupno opterećenje težine koje se preporučuje za ova kolica je 26 kg. 15 kg u sjedalu, 1 kg u stražnjem džepu sjedala i 7 kg u košari.
- ⚠ **UPOZORENJE:** Ova kolica nisu prikladna za trčanje ili rolanje.
- ⚠ **UPOZORENJE:** Nikad ne ostavljajte dijete bez nadzora.
- ⚠ **UPOZORENJE:** Uvijek upotrebljavajte sustav za vezivanje.
- ⚠ **UPOZORENJE:** Prije upotrebe, provjerite jesu li košara za spavanje, uređaji za pričvršćivanje sjedala ili autosjedalice pravilno postavljeni.
- ⚠ **UPOZORENJE:** Kako bi se izbjegle ozljede, vodite računa da su djeca dalje od vas kad rasklapate i sklapate ovaj proizvod.
- ⚠ **UPOZORENJE:** Prije nego stavite ili uzmete dijete iz kolica i kad god kolica stoje u mjestu, blokirajte kočnice.
- ⚠ **UPOZORENJE:** Prije upotrebe provjerite jesu li svi uređaji za blokadu postavljeni.
- ⚠ **UPOZORENJE:** Nemojte dopustiti da se djeca igraju ovim proizvodom.

- ⚠ **UPOZORENJE:** Ako se paketi ili pribor, ili oboje stave na kolica, kolica mogu biti nestabilna.

- ⚠ **UPOZORENJE:** Bilo kakav teret na ručki i/ili na stražnjem dijelu naslona i/ili na stranama kolica utjecat će na njihovu stabilnost.

- Ovo se sjedalo treba upotrebljavati u najvećem nagnutom položaju sve dok dijete ne bude moglo samostalno sjediti, prevrtati se ili podizati na rukama i koljenima.
- Kolica nisu namijenjena za prijevoz djece uz ili niz stepenice ili pomične mehaničke stepenice. Jamstvo neće pokriti štetu nastalu na kolicima.
- Ova kolica nisu zamjena za kolijevku ili krevet. Ako dijete treba spavati, položite ga u odgovarajuću košaru za nošenje bebe, kolijevku ili krevet.
- Pribor koji nije odobrila tvrtka Baby Jogger ne smije se upotrebljavati.
- Pazite na automobile – nemojte nikad pretpostavljati da vozač može vidjeti vas i vaše dijete.
- Dijete u kolicima mora sjediti (nije dopušteno stajanje u kolicima).
- Koristite samo zamjenske dijelove koje prodaje ili je odobrio Baby Jogger.

**OKVIR**

1 Izvadite okvir kolica iz kutije i stavite kotače na stranu. Otključajte kolica povlačenjem ručice za zatvaranje kolica.

2 Podignite ručku dalje od donjeg okvira. Kolica će škljocnuti u mjesto.

3 Postavite kolica u uspravan položaj.

**⚠ UPOZORENJE:** Prije upotrebe provjerite jesu li svi uređaji za blokadu postavljeni.

**PREDNJI KOTAČ**

4 Postavljanje

- Položite kolica na stražnju stranu tako da ručka leži na podu.
- Pričvrstite prednji kotač umetanjem u okvir prednjeg kotača sve dok ne škljocne. Nježno povucite prednji kotač kako biste provjerili je li pravilno pričvršćen.

5 Skidanje

- Dok pritisćete gumb za otpuštanje prednjeg kotača, nježno izvucite prednji kotač iz okvira prednjeg kotača.

**ZNAČAJKA ZA OKRETANJE**

6 Pritisnite gumb za blokadu okretanja i pomaknite blokadu okretanja ulijevo kako biste blokirali prednje kotače u stalni položaj za vožnju kolicima na duže udaljenosti.

7 Pritisnite gumb za blokadu okretanja i pomaknite blokadu okretanja udesno kako bi se prednji kotači mogli okretati.

**⚠ UPOZORENJE:** Dok stavljate ili uzimate dijete iz kolica, blokirajte prednje kotače u stalni položaj. Iako se prednji kotači kolica blokiraju, kolica nisu namijenjena za džoging ili vježbanje.

**STRAŽNJI KOTAČI**

8 Postavljanje

- Poravnajte osovinu stražnjeg kotača s okvirom kotača na okviru kolica i umetnite ga u okvir kotača dok ne škljocne u mjesto.

- Nježnim povlačenjem stražnjeg kotača provjerite je li pravilno pričvršćen.

9 Skidanje

- Dok pritisćete gumb za otpuštanje kotača, nježno izvucite stražnji kotač iz okvira kotača.

**KOČNICA**

10 Za aktiviranje kočnice pritisnite ručicu kočnice.

11 Blokiranje parkirnih kočnica: Nježno gumite ručicu kočnice prema naprijed dok ne škljocne u mjesto.

12 Otpuštanje parkirnih kočnica: Povucite gumb za otpuštanje parkirne kočnice prema sebi.

**⚠ UPOZORENJE:** Prije nego stavite ili uzmete dijete iz kolica i kad god kolica stoje u mjestu, blokirajte kočnice.

13 Ako stražnji kotači ne koče jednako, možda morate namjestiti kočnice kolica. Kočnica za kotač koji se vrti i tijekom kočenja mora se zategnuti: pronađite prilagodnik na glavini kotača (A) na kojem su otpuštene kočnice. Za namještanje dugačkog cilindričnog prstena (C) otpustite kratki prsten kočnice (B). Dugački cilindrični prsten dodatno odvrnite s glavine kotača (A) kako biste zategnuli kabel. (Nemojte prejako zategnuti!) Za uglavlivanje prstenova zategnite kratki prsten (B) uz glavinu kotača (A) držeći pritom dugački cilindrični prsten (C) na mjestu. Ručnu kočnicu pritisćite postupno kako biste imali bolju kontrolu nad kolicima.

**SJEDALO – RASKLAPANJE SJEDALA**

14 Otvorite sjedalo dok držite naslon za noge i vrh sjedala.

15 Sjedalo će se uglaviti u svoj otvoreni položaj.

**KROVIĆ**

16 Pričvršćivanje krovica za okvir: Pričvrstite nosače krovica za krajeve okvira sjedala.

17 Pričvrstite 2 trake za vezivanje na krovicu za vrh sjedala.

**PRILAGODBA SIGURNOSNOG POJASA**

18 Sa stražnje strane sjedala, odvežite trake za vezivanje i otvorite džep kako biste našli plastični četvrtasti zaustavljač. Okrenite zaustavljač i provucite kroz otvore u PE ploči i tkanini sjedala.

19 Ponovno umetnite zaustavljač u otvor sjedala koji je najbliži djetetovim ramenima. Provucite prema natrag kroz tkaninu sjedala i PE ploču. Povucite pojas kako biste se uvjerali da je zaustavljač zaključan. Ponovite postupak na obje strane.



- ⚠ UPOZORENJE:** Izbjegavajte ozbiljne ozljede od pada ili iskliznuća. Uvijek pravilno namjestite i zavežite sigurnosni pojas.
- ⚠ UPOZORENJE:** Uvijek upotrebljavajte pojas za prepone zajedno s ramenim pojasevima te s pojansom oko struka.
- 20 Podignite jastučice pojasa kako biste imali pristup plastičnoj vodilici na traci.
- 21 Za zatezanje ili otpuštanje držite plastičnu vodilicu i povucite traku.
- UPOTREBA SIGURNOSNOG POJASA**
- 22 Umetnite bočnu kopču trake u kopču pojasa s obje strane.
- 23 Umetnite povezane kopče pojasa i bočnih traka u krajeve kopče za prepone.
- 24 Za otpuštanje pritisnite gumb na kopči za prepone.
- POSTAVLJANJE SJEDALA NA OKVIR**
- 25 Poravnajte nosače za postavljanje pribora s nosačima na okviru kolica.
- 26 Uvucite sjedalo u nosače dok ne škljocne u mjesto. Prije upotrebe provjerite jesu li obje strane sjedala čvrsto pričvršćene za okvir.
- NAPOMENA:** Sjedalo se može postaviti tako da je okrenuto prema naprijed ili prema natrag.
- UKLANJANJE SJEDALA**
- 27 Pritisnite sive jezičke na nosačima za postavljanje i povucite prema gore.
- ⚠ UPOZORENJE:** Uvijek izvadite dijete iz sjedala prije uklanjanja sjedala iz okvira.
- SPUŠTANJE NASLONA SJEDALA**
- 28 Podignite ručku za spuštanje naslona sjedala koja se nalazi na vrhu sjedala, iza krovića.
- 29 Povucite prema dolje kako biste spustili sjedalo i povucite prema gore kako biste podigli sjedalo sve dok ne škljocne u željeni položaj.
- PRILAGODBA VISINE RUČKE**
- 30 Pritisnite gumb za prilagodbu ručke i povlačite ručku gore ili dolje do željene dužine.

## NASLON ZA NOGE S MOGUĆNOŠĆU NAMJEŠTANJA

- 31 Namjestite kut: Pritisnite gumba za prilagodbu na naslonu za noge i pomičite ga gore ili dolje sve dok ne škljocne u željeni položaj.

## UKLANJANJE KOŠARE

- 32 Odvojite gornje čičak trake na košari oko srednje prečke za potporu okvira. Zatim odvojite donje čičak trake oko bočnih prečki za potporu okvira.
- 33 Otkočite gornju, prednju plastičnu omču s metalnog gumba na prednjoj strani okvira. Ponovite postupak na suprotnoj strani.

## SKLAPANJE

- Izvadite dijete iz sjedala.
  - Kolica se mogu sklopiti s pričvršćenim sjedalom ili bez njega, i mogu biti okrenuta prema naprijed ili prema natrag.
  - Kada se sklapaju kolica okrenuta prema natrag, preporučuje se da sjedalo bude potpuno spuštено prije sklapanja.
  - Uvijek spustite sjedalo u potpuno uspravan položaj i stavite ga okrenuto naprijed radi što kompaktnijeg sklapanja.
- 34 Povucite prema gore oslonac za noge i sklopite sjedalo prema gore.
- 35 Povucite ručke za brzo sklapanje i pustite neka se okvir preklopi. Okvir kolica palcem pritisnite prema dolje kako biste lakše podigli ručke za brzo sklapanje. Uvjerite se da je ručka za blokadu dijela za pohranu škljocnula u mjesto.

## UKLANJANJE TKANINE SJEDALA

- 36 Odvojite tkaninu sjedala s okvira sjedala.
- 37 Sa stražnje strane sjedala, odvojite kukice i omče i povucite traku kroz D-prsten.
- 38 Pritisnite gumba za prilagodbu oslonca za noge i povucite oslonac za noge prema van kako biste uklonili prečku oslonca za noge s okvira sjedala. Izvucite tkaninu sjedala iz žlijeba u prečki oslonca za noge.

# BRIGA I ODRŽAVANJE

Kako biste održali dugi vijek kolica, važno je da obavljate jednostavno, redovno održavanje. Povremeno provjeravajte jesu li zglobovi i područja za sklapanje i dalje u dobrom stanju. Ako čujete škripanje ili osjetite otpor, možete odnijeti kolica u obližnju trgovinu kolica radi dodatnog podmazivanja. Samo ovlaštteni prodavač smije obavljati sve popravke.

## PRANJE

### Tkanina sjedala

- Sjedalo kolica možete prati u perilici u hladnoj vodi s blagim deterdžentom.
- Vodite računa o tome da uklonite metalni okvir i PE ploče sa sjedala prije pranja.
- Ne upotrebljavajte otapala, kaustična ili abrazivna sredstva za čišćenje.
- Kako biste smanjili skupljanje, jednostavno ponovno pričvrstite sjedalo na okvir radi sušenja.
- Nemojte tkaninu glačati, kemijski čistiti, sušiti u sušilici niti cijediti.
- Ako se navlake sjedala trebaju zamijeniti, upotrijebite samo dijelove prodavača koga je ovlastila tvrtka Baby Jogger. Oni su jedini koji mogu jamčiti da je navlaka testirana za sigurnost i osmišljena da odgovora ovom sjedalu.

### Plastični/metalni dijelovi

- Očistite blagim sapunom i toplom vodom.
- Ne smijete ukloniti, rastaviti ili izmijeniti bilo koji dio mehanizma za sklapanje sjedala ili kočnice.

### Čišćenje kotača

- Kotači se mogu čistiti vlažnom krpom. Treba ih potpuno osušiti mekim ručnikom ili krpom.

## ČUVANJE

- Sunčeva svjetlost može izbljediti tkaninu sjedala ili osušiti gume, stoga će čuvanje kolica u zatvorenom prostoru produžiti dobar izgled kolica.
- NE čuvajte kolica vani.
- Provjerite jesu li kolica suha prije nego ih spremite na duže vrijeme.
- Uvijek čuvajte kolica na suhom mjestu.
- Čuvajte kolica na sigurnom mjestu kada se ne upotrebljavaju (npr. tamo gdje se djeca ne mogu njima igrati).
- NEMOJTE stavljati teške predmete na kolica.
- NE čuvajte kolica blizu izravnog izvora topline kao što su radijatori ili vatra.

# REGISTRIRAJTE SVOJA KOLICA NA

## [www.babyjogger.com/register](http://www.babyjogger.com/register)

### Ograničeno jamstvo tvrtke Baby Jogger:

Tvrtka Baby Jogger jamči da okvir kolica nema kvarova proizvođača tijekom radnog vijeka proizvoda. Kvarovi nastali proizvođačevom pogreškom uključuju ali se ne ograničavaju na lom zavarenih dijelova i oštećenja cijevi okvira kolica. Tekstil ili mekani materijali na šavovima i svi drugi dijelovi imat će jamstvo jednu godinu od datuma kupnje (osim cijevi i guma). Za reklamacije na jamstvo potrebna je potvrda o kupnji, a jamstvo se daje samo originalnom kupcu.

### OVO JAMSTVO NE POKRIVA:

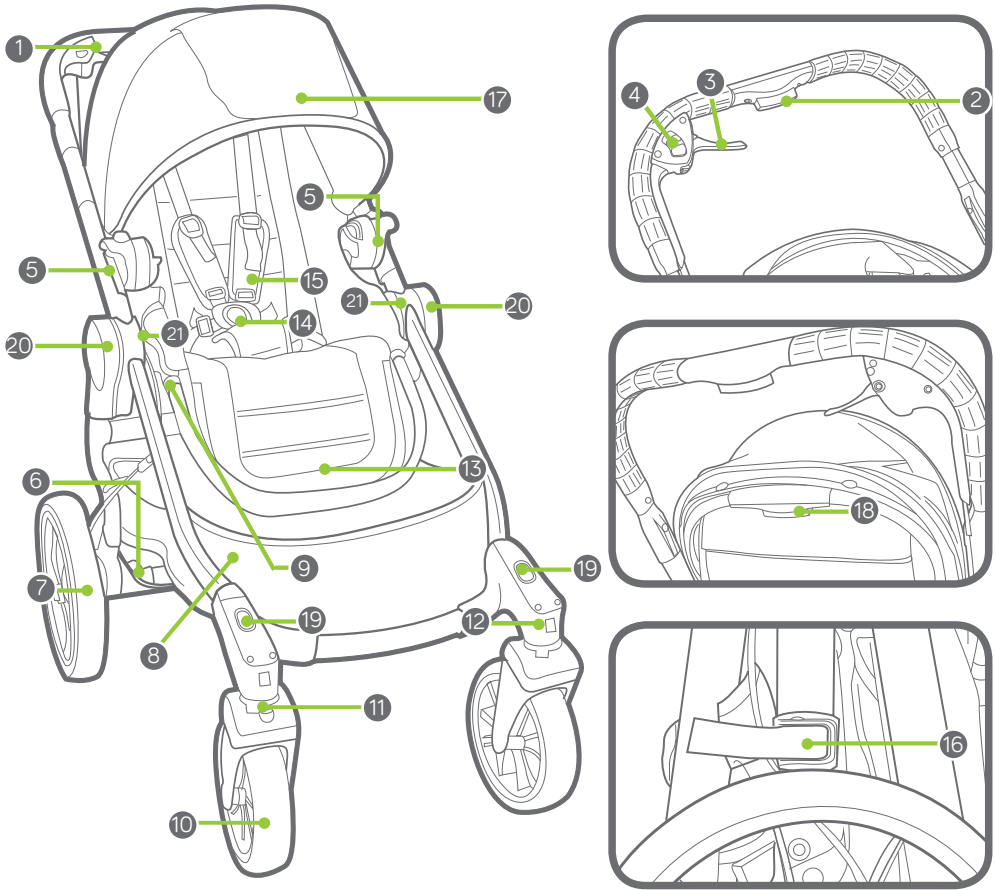
- standardno trošenje i habanje
- koroziju ili hrđu
- nepravilno sklapanje ili postavljanje dijelova ili pribora trećih strana koji nisu u skladu s originalnim dizajnom
- slučajno ili namjerno oštećenje, zloupotrebu ili nehat, ili upotrebu na stepenicama ili pomičnim mehaničkim stepenicama.
- upotrebu u komercijalne svrhe
- nepravilno skladištenje / održavanje kolica

Ovo jamstvo posebno isključuje potraživanja za neizravne, slučajne ili posljedične štete. Podrazumijevano jamstvo o mogućnosti prodaje i pogodnosti za određenu upotrebu u skladu je s određenim jamstvenim rokom za ovaj model kolica u vrijeme kupnje. Neke države ne dopuštaju isključenja ili ograničenja slučajne ili posljedične štete, te gore navedena ograničenja ili isključenja se možda ne primjenjuju na vas. Ovo jamstvo vam daje određena zakonska prava, a vi možda također imate druga prava koja se razlikuju od države do države. Kako biste saznali koja su vaša zakonska prava u vašoj državi, obratite se lokalnoj ili državnoj službi za potrošače ili državnom odvjetniku vaše države.

Ako ste kupili kolica izvan Sjedinjenih Američkih Država, obratite se distributeru u zemlji u vašoj blizini. Njihove kontaktne informacije mogu se naći na našoj web-stranici na <http://www.babyjogger.com/retailers/#international>. Potraživanja po osnovu jamstava izvan zemlje u kojoj je ovaj proizvod kupljen mogu uključivati troškove prijevoza.



**NAPOMENA:** Kada budete kontaktirali distributera tvrtke Baby Jogger glede vaših kolica, imajte pri ruci serijski broj kolica i datum proizvodnje. Ti podaci se mogu naći na mehanizmu za sklapanje na desnoj strani.



- |    |                            |    |   |
|----|----------------------------|----|---|
| 1  | Tolókar                    | 12 | Első kerék kioldó gomb                                |
| 2  | Tolókar beállító gomb      | 13 | Lábtartó  |
| 3  | Fékkar                     | 14 | Hevedercsat   |
| 4  | Parkolófék kioldógombja    | 15 | Hevederpárnák   |
| 5  | Konzol ülés beszereléséhez | 16 | Tároló zárja  |
| 6  | Hátsókerék kioldó gomb     | 17 | Vászontető  |
| 7  | Hátsókerék                 | 18 | Ülésdöntő gomb  |
| 8  | Tároló kosár               | 19 | 2. autósülés-adapter felszerelésére szolgáló nyílások |
| 9  | Lábtartó beállító gomb     | 20 | Gyors összehajtó fogantyúk                            |
| 10 | Első kerék                 | 21 | Tartozékok felszerelésére szolgáló nyílások           |
| 11 | Bolygó/zár                 |    |   |

# FIGYELMEZTETÉS

**FONTOS** – Későbbi használat céljából őrizze meg a használati utasítást  
Használat előtt gondosan olvassa el a használati utasítást. Hatással lehet a gyermeke biztonságára, ha nem tartja be ezeket az utasításokat.

## EGY-GYEREKES BABAKOCSI

• Ez a babakocsi egy utasnak biztosít helyet.

- ⚠ **FIGYELMEZTETÉS** Ez az ülés nem alkalmas félévesnél fiatalabb babák szállítására. Maximális megengedett súly 15 kg, maximális megengedett magasság 101,6 cm.
- A babakocsihoz ajánlott teljes súlyterhelés 26 kg. 15 kg az ülésben, 1 kg az ülés hátsó zsebében, továbbá 7 kg a kosárban.
- ⚠ **FIGYELMEZTETÉS**: A babakocsival nem lehet futni vagy görkorcsolyázni.
- ⚠ **FIGYELMEZTETÉS**: Soha ne hagyja felügyelet nélkül a gyermekét.
- ⚠ **FIGYELMEZTETÉS**: Mindig használja a biztonsági rögzítőrendszert.
- ⚠ **FIGYELMEZTETÉS**: Használat előtt ellenőrizze, hogy a fekvő babakocsi vagy az ülésegység adapter vagy a kocsiülés adapter megfelelően csatlakoztatva van-e.
- ⚠ **FIGYELMEZTETÉS**: A sérülések elkerülése érdekében ügyeljen rá, hogy gyermeke ne legyen a közelben, amikor kinyitja vagy összehajítja a terméket.
- ⚠ **FIGYELMEZTETÉS**: Rögzítse a fékeket még azelőtt, hogy a gyermeket beültetné vagy kivenné a babakocsiból, továbbá minden olyan alkalommal, amikor a babakocsi éppen nem megy.
- ⚠ **FIGYELMEZTETÉS**: Ügyeljen rá, hogy a rögzítő berendezések használat előtt be legyenek kapcsolva.

- ⚠ **FIGYELMEZTETÉS**: Ne hagyja a gyereket a termékkel játszani.
- ⚠ **FIGYELMEZTETÉS**: A babakocsira helyezett csomagok vagy tartozékok – vagy mindkettő – miatt a kocsi labilissá válhat.
- ⚠ **FIGYELMEZTETÉS**: A tolókarra, a háttámla hátuljára, illetve a babakocsi oldalára helyezett súly rontja a termék stabilitását.
- Az ülést a legutolsó megdöntött pozícióban kell használni addig, ameddig a gyermek segítség nélkül fel nem tud ülni, át nem tud fordulni, illetve négykézlábra nem tud állni.
- A babakocsiban rendeltetészerűen nem lehet gyermekeket lépcsőn vagy mozgólépcsőn szállítani. A jótállás nem terjed ki a babakocsiban emiatt keletkező károokra.
- A babakocsi nem helyettesíti a mózeskosarat vagy az ágyat. Ha a gyermeknek aludnia kell, fektesse megfelelő fekvő babakocsiba, mózeskosárba vagy ágyba.
- Nem szabad a Baby Jogger jóváhagyásával nem rendelkező tartozékokat használni.
- Figyeljen az autókra – soha ne feltételezze, hogy a másik autó vezetője látja Önt vagy a gyermekét.
- Az utasnak ülve kell maradnia (nem szabad felállnia a babakocsiban).
- Kizárólag a Baby Jogger által biztosított vagy jóváhagyott cserealkatrészeket használjon.

## VÁZ

- 1 Csomagolja ki a babakocsi vázát a dobozból és tegye félre a kerekeket. Oldja ki a babakocsit oly módon, hogy meghúzza a Tárolás alatti rögzítésre szolgáló kart.
  - 2 Emelje le a tolókart az alsó vázról. A babakocsi bekattan a helyére.
  - 3 Állítsa a babakocsit függőleges helyzetbe.
- ⚠ FIGYELMEZTETÉS:** Ugyeljen rá, hogy a rögzítő berendezések használat előtt be legyenek kapcsolva.

## ELSŐ KERÉK

### 4 Beszerelés

- Fektesse a hátára a babakocsit úgy, hogy a tolókar a padlón feküdjön.
- Csatlakoztassa az Első kereket oly módon, hogy becsúsztatja az első keréktartóra, amíg be nem kattann. Az Első kereket gyengéden meghúzva ellenőrizze, hogy a helyére kattant-e.

### 5 Levétel

- Az első kerék kioldógombját lenyomva gyengéden csúsztassa le az Első kereket az első keréktartóról

## BOLYGÓKERÉK FUNKCIÓ

- 6 Nyomja le a Bolygókerék funkció gombját és csúsztassa a bolygókerék zárat balra, hogy ez első kerék szerelvényt zárt állásban rögzítse a hosszú sétákhoz.

- 7 Nyomja le a Bolygókerék funkció gombját és csúsztassa a bolygókerék zárat jobbra, hogy az első kerék szerelvény bolygókerékként funkcionálhasson.

- ⚠ FIGYELMEZTETÉS:** A gyermek beültetésekor vagy kiemelésekor rögzítse az első kereket fix állásban. Bár rögzül a babakocsi első kereke, nem arra készült, hogy kocogjanak vagy tornagyakorlatot végezzenek vele.

## HÁTSÓKEREKEK

### 8 Beszerelés

- Állítsa egy vonalba a Hátsókerék tengelyét a babakocsi vázán lévő keréktartóval, majd tolja rá a keréktartóra, amíg a helyére nem kattann.
- A hátsó kereket gyengéden meghúzva ellenőrizze, hogy a helyére kattant-e.

### 9 Levétel

- A kerékkioldó gombot lenyomva gyengéden csúsztassa le a Hátsókeréket a keréktartóról

## FÉK

- 10 A fékezés alkalmazásához nyomja össze a fékkart.

11. A parkolófékek reteszeléséhez: Óvatosan nyomja a fékkart előre, amíg a helyére nem kattann.

12. A parkolófékek kioldásához: Húzza a parkolófék kioldógombját maga felé.

- ⚠ FIGYELMEZTETÉS:** Rögzítse a fékeket még azelőtt, hogy a gyermeket beültetné vagy kivenné a babakocsiból, továbbá minden olyan alkalommal, amikor a babakocsi éppen nem megy.

- 13 Ha a hátsó kerekek nem fékeznek együtt egyenletesen, beállíthatja a babakocsi fékjeit. Meg kell szorítani annak a keréknek a fékjét, amely fékezés alatt is tovább forog: Keresse meg a beállítót a laza fékekkel rendelkező kerékagyon (A). Lazítsa meg a fék rövid gyűrűjét (B) a hosszú hengeres gyűrű (C) beállításához. Csavarozza ki a hosszú hengeres gyűrűt tovább a kerékagyból (A), hogy meghúzza a kábelt. (Kérjük, ne húzza túl!) A gyűrűk reteszeléséhez, szorítsa be a rövid gyűrűt (B) a kerékagyhoz (A), miközben a hosszú hengeres gyűrűt (C) a helyén tartja. Fokozatosan nyomja össze a kéziféket, hogy jobban az ellenőrzése alatt tartsa a babakocsit.

## ÜLÉS – AZ ÜLÉS KINYITÁSA

- 14 A lábtartót és az ülés tetejét megtartva nyissa szét az ülést.

- 15 Az ülés bekattan a nyitott pozícióba.

## VÁSZONTETŐ

- 16 Csatlakoztassa a vászontetőt a vázhoz: Csatlakoztassa a Vászontető konzoljait az üléskeret oldalaihoz.

- 17 Csatlakoztassa a vászontető 2 rögzítő szalagját az ülés tetejéhez.

## A BIZTONSÁGI HEVEDÉR BEÁLLÍTÁSA

- 18 Az ülés hátulja felől oldja ki a rögzítő szalagot és nyissa ki a zsebet, és keresse meg a négyszögletes műanyag stoppert. Forgassa el a stoppert és fűzze át az üléslap nyílásain és az ülés huzatán.

- 19 Tegye vissza a stoppert az ülésnek a gyermek vállaihoz legközelebbi nyílásába. Vezesse vissza az ülés huzatát, majd a PE lapon keresztül. A szíjat megrántva bizonyosodjon meg arról, hogy rögzült-e a stopper. Mind a két oldalon ismételje meg a folyamatot.

- ⚠ FIGYELMEZTETÉS:** Kerülje a babakocsiból kiesésből vagy kicsúszásból eredő súlyos sérüléseket. Mindig jól állítsa be és húzza meg a biztonsági hámot.

**▲ FIGYELMEZTETÉS:** Mindig a vállszijakkal és az öl tájékán áthaladó övvel együtt használja az elágazó szíjat.

- 20 Csúsztassa a Hámpárnákat felfelé, hogy elérjék a szíjon lévő műanyag sint.
- 21 Tartsa meg a műanyag sint, majd a szíjat – arra ráfogva – húzza vagy lazítsa meg.

#### A BIZTONSÁGI HÁM HASZNÁLATA

22 Mindkét oldalon illessze be a szíj csatját a hám csatjába.

23 A csatlakoztatott hám és az oldalsó szíj csatjait illessze be a villáscsat oldalába.

24 A villáscsatot a csaton lévő gombra nyomva oldja ki.

#### TEGYE AZ ÜLÉST A VÁZRA

25 Igazítsa a Tartozékok felszerelésére szolgáló konzolokat a babakocsi vázán található a szerelőkonzolokhoz.

26 Csúsztassa az ülést a konzolokba annyira, hogy a helyére kattanjon. Használat előtt ügyeljen rá, hogy az ülés mindkét oldala szorosan rögzüljön a vázra.

**MEGJEGYZÉS:** Az ülés menetirányban vagy annak háttal is beszerelhető.

#### AZ ÜLÉS KIVÉTELE

27 Nyomja le a Szerelőkonzolokon lévő szürke füleket és húzza fel őket.

**▲ FIGYELMEZTETÉS:** Mindig emelje ki a gyermeket az ülésből, mielőtt az ülést levénné a vázról.

#### AZ ÜLÉS MEGDÖNTÉSE

28 Emelje meg az ülés tetején a vászontető mögött elhelyezett, az Ülés megdöntésére szolgáló kart.

29 Lefelé tolv engedje le az ülést, felfelé húzva pedig emelje meg az ülést annyira, hogy a kívánt pozícióba kattanjon.

#### A TOLÓKAR MAGASSÁGÁNAK BEÁLLÍTÁSA

30 Nyomja össze a tolókart beállító gombot, és csúsztassa a kart a kívánt magasságig fel vagy le.

#### BEÁLLÍTHATÓ LÁBTARTÓ

31 Állítsa be a szöveget: Nyomja le a Lábtartón lévő Beállító gombokat, és mozgassa fel vagy le annyira, hogy bekattanjon a kívánt pozícióba.

#### A KOSÁR KIVÉTELE

32 Oldja ki a Kosárnak a váz középső megtámasztó karja körüli felső kapcsait. Majd oldja ki az alsó kapcsokat a váz oldalsó megtámasztó karjai körül.

33 Kapcsolja le a felső-elülső műanyag hurkot a váz elején található fém bütyökről. Az ellenkező oldalon is ismételve meg ezt a lépést.

#### ÖSSZEHAJTÁS

- Vegye ki a gyermeket az ülésből.
  - A babakocsi összehajtható úgy is, hogy csatlakoztatva van az ülés, úgy is, hogy nincs, akár előre néz az ülés, akár hátra.
  - Hátrafele néző üléssel összehajtáskor ajánlatos a művelet megkezdése előtt teljesen hátrahajtani az ülést.
  - Mindig döntse az ülést a leginkább függőleges helyzetbe, és előre nézve helyezze el a leginkább kompakt összehajtás érdekében.
- 34 Húzza felfelé az ülés lábtartóját, és hajtsa felfelé az ülést.
  - 35 Húzza fel a gyors összehajtó fogantyúkat, és hagyja a vázat összecsucsklani. Nyomja lefelé a babakocsi vázát a hüvelykujjával, hogy a gyors összehajtó fogantyúk felemelését megkönnyítse. Ellenőrizze, hogy a tárolót rögzítő kar a helyére kattant-e.

#### AZ ÜLÉSHUZAT LEVÉTELE

36 Húzza le az üléshezátot az ülés vázáról.

37 Az ülés hátulja felől oldja ki a kapcsoló kombinációt és csúsztassa át a hevedert a D-gyűrűn.

38 Nyomja le a Lábtartó beállító gombokat és lábtartót kifelé meghúzva vegye le a lábtartó rudat az ülés vázáról. Húzza ki az üléshezátot a lábtartó rúdon lévő csatornából.

# ÁPOLÁS ÉS KARBANTARTÁS

Ha meg akarja őrizni a babakocsi hosszú élettartamát, fontos egyszerű de rendszeres karbantartást végezni. Időről időre gondoskodjon róla, hogy a csatlakozások és az összecukódó területek jó állapotban legyenek. Ha nyirkosítást hall vagy feszültséget érez, elviheti a babakocsit a helyi bicikli szaküzletbe, hogy kenjék meg. Minden javítást hivatalos márkakereskedésnek kell végeznie.

## MOSÁS

### Ülészuzat

- A babakocsi ülészuzata hidegvízben, enyhe mosószerrel mosógépben is kimosható.
- Ügyeljen rá, hogy mosás előtt levegye a fém vázat és a PE lapokat az ülésről.
- Ne használjon oldószerkeket, maró vagy dörzshatású tisztítószerkeket.
- Hogy a huzat ne menjen össze, az ülést egyszerűen tegye vissza a vázra száradni.
- Ne vasalja, vegytisztítsa, tegye szárítógépbe vagy csavarja ki a huzatot.
- Ha az ülészuzatot ki kell cserélni, csak hivatalos Baby Jogger márkakereskedőtől származó termékeket használjon. Garantáltan kizárólag ezek mentek át biztonsági teszten és tervezték őket pont erre az ülésre.

### Műanyag/Fém elemek

- Enyhén szappanos meleg vízzel törölje őket tisztára.
- Nem szabad levenni, szétszerelni vagy megváltoztatni az ülés összehajtó mechanizmusának vagy a fékeknek az elemeit.

### A kerekek ápolása

- A kerekeket nedves ruhával tisztítsa meg. Teljesen meg kell őket szárítani egy puha törülközővel vagy ruhával.

## TÁROLÁS

- A naptól kifakulhat az ülészuzat és kiszáradhatnak a kerékgumik, ha tehát beltérben tárolja a babakocsit, hosszabb ideig tetszetős marad.
- NE tárolja szabad térben.
- Ügyeljen rá, hogy a babakocsi megszáradjon, mielőtt hosszabb időre elteszi.
- A babakocsit mindig száraz helyen tárolja.
- Amikor a babakocsi nincs használatban, tegye el biztonságos helyre (vagyis olyan helyre, ahol gyerekek nem tudnak játszani vele).
- NE helyezzen nehéz tárgyakat a babakocsi tetejére.
- NE tartsa a babakocsit közvetlen hőforrás, például radiátor vagy tűz közelében.



# REGISZTRÁLJA A BABAKOCSIT AZ INTERNETEN AZ ALÁBBI CÍMEN

## [www.babyjogger.com/register](http://www.babyjogger.com/register)

### A Baby Jogger korlátozott élettartamra szóló jótállása

A Baby Jogger a termék teljes élettartamára szavatolja, hogy a váz mentes a gyártási hibáktól. A gyári hibák a teljesség igénye nélkül a hegesztések eltörését és a csőváz sérülését jelentik. A textil és a puha oldalú anyagokra és az összes többi elemre egy éves jótállás vonatkozik a vásárlás napjától számított egy évig (a csövek és a kerékgumik kivételével). A vásárlási bizonylatnak kell képeznie a jótállási kárigényt, és a jótállás csak az eredeti vásárlóra vonatkozik.

### NEM TARTOZIK A JÓTÁLLÁS HATÁLYA ALÁ A:

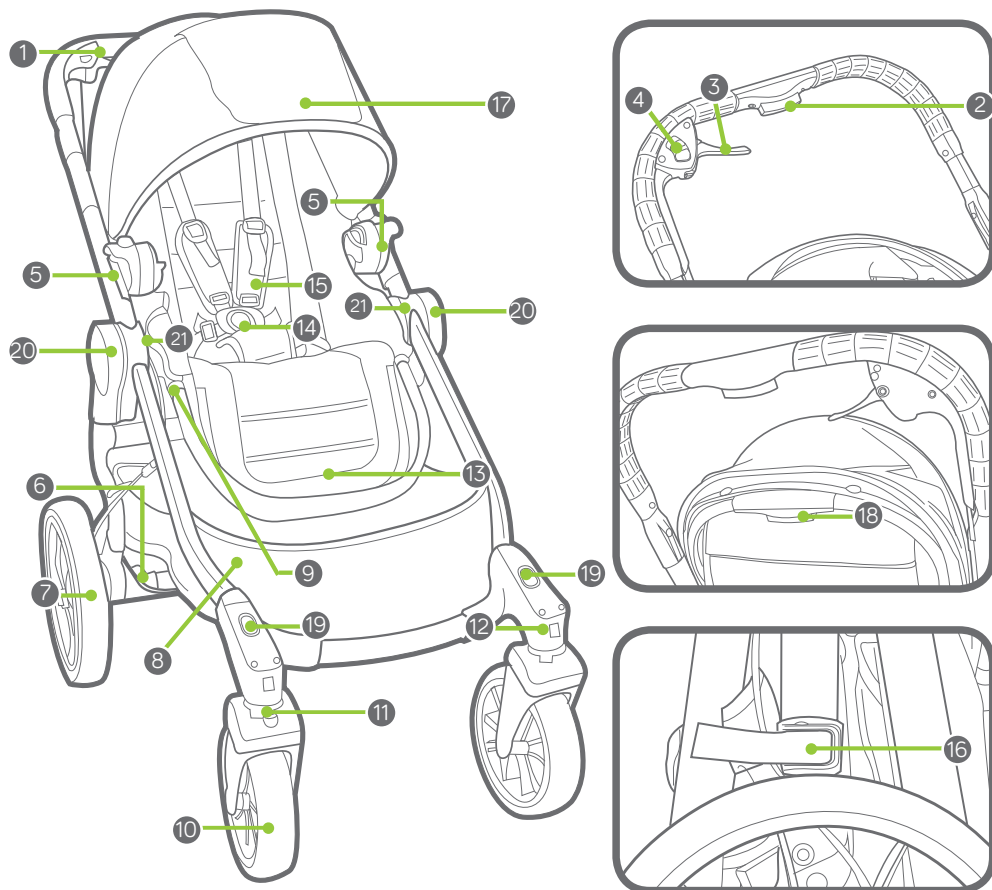
- Szokásos kopás és elhasználódás
- Rozsdásodás vagy rozsdá
- Helytelen összeszerelés vagy az eredeti kialakítással nem kompatibilis külső félalkatrészeinek vagy tartozékainak a beszerelése
- Véletlen vagy szándékos károkozás, bántalmazás vagy hanyagság, illetve lépcsőn vagy mozgólépcsőn történő használat.
- Kereskedelmi használat
- A babakocsi helytelen tárolása/ápolása

A jelen jótállás kifejezetten kizárja a közvetlen, eseti vagy következményi károk miatti kárigényeket. A kifogástalan kereskedelmi minőség és egy adott célra való alkalmasság rejtett garanciái ezen modell konkrét jótállási időszakának felelnek meg, bármikor legyen is a vásárlás. Egyes államok nem engedik meg az eseti vagy következményi károk kizárását vagy korlátozását, így előfordulhat, hogy a fenti korlátozások vagy kizárások Önre nem vonatkoznak. A jelen jótállás konkrét törvényes jogokkal ruházza fel Önt, sőt más jogokkal is rendelkezhet, amelyek államról államra változnak. Ha meg szeretné tudni, hogy milyen törvényes jogok illetik meg, forduljon a helyi vagy az állami fogyasztásügyi hivatalhoz vagy saját államának igazságügy miniszteréhez.

Ha a babakocsit az Egyesült Államokon kívül vásárolták, kérjük, forduljon az Önhöz legközelebbi lévő országban lévő forgalmazóhoz. Ezt az információt az alábbi címen találja meg: <http://www.babyjogger.com/retailers/#international>. Ha a termék megvásárlásának országán kívül nyújtanak be szavatossági kárigényt, szállítási költségek keletkezhetnek.



**MEGJEGYZÉS:** Ha a babakocsival kapcsolatban megkeresi a Baby Jogger forgalmazót, kérjük, készítse elő a babakocsi sorszámát és a gyártás napját. Ezek az információk a jobb oldali összecsucó mechanizmuson található meg.



- |    |                                |    |   |
|----|--------------------------------|----|---|
| 1  | Duwstang                       | 12 | Ontgrendelknop voorwiel                                   |
| 2  | Bijstellingsknop duwstang      | 13 | Voetenplankje   |
| 3  | Remknop                        | 14 | Gareelgesp  |
| 4  | Ontgrendelknop van rem         | 15 | Gareelkussens   |
| 5  | Draaghaak zijje                | 16 | Opbergslot  |
| 6  | Ontgrendelknop achterwiel      | 17 | Kap   |
| 7  | Achterwiel                     | 18 | Knop voor stoeltje in ligstand                            |
| 8  | Mandje                         | 19 | Sleuven voor installatie van verbinding voor 2de stoeltje |
| 9  | Bijstellingsknop voetenplankje | 20 | Handgrepen voor snel opvouwen                             |
| 10 | Voorwiel                       | 21 | Sleuven voor het monteren van toebehoren                  |
| 11 | Zwenkblokkering                |    |   |

# WAARSCHUWING

**BELANGRIJK** - bewaar deze instructies voor later gebruik.

Lees deze instructies aandachtig vóór gebruik. De veiligheid van uw kind kan in gevaar komen, als u deze instructies niet volgt.

## KINDERWAGEN VOOR ÉÉN KIND

- Deze kinderwagen dient voor één kind.

**⚠ WAARSCHUWING:** Dit stoeltje is niet geschikt voor kinderen jonger dan 6 maanden. Het maximumgewicht is 15 kg en de maximumlengte is 101,6 cm.

- De totale aanbevolen belasting voor deze kinderwagen is ten hoogste 26 kg: 15 kg in het stoeltje, 1 kg in de achterzak van het stoeltje en 7 kg in het mandje.

**⚠ WAARSCHUWING:** deze kinderwagen is niet geschikt voor hardlopen of rolschaatsen.

**⚠ WAARSCHUWING:** uw kind nooit zonder toezicht laten.

**⚠ WAARSCHUWING:** altijd de veiligheidsgordels gebruiken.

**⚠ WAARSCHUWING:** controleer vóór gebruik of alles aan de kinderwagen, het zitje of de autostoel goed bevestigd is.

**⚠ WAARSCHUWING:** om letsel te voorkomen, uw kind uit de buurt houden als u dit product ontvouwt of opvouwt.

**⚠ WAARSCHUWING:** vergrendel de remmen wanneer u uw kind in de kinderwagen plaatst of het eruit haalt, en ook als de kinderwagen stilstaat.

**⚠ WAARSCHUWING:** zorg ervoor dat alle vergrendelingen vóór gebruik zijn ingeschakeld.

**⚠ WAARSCHUWING:** uw kind niet laten spelen met dit product.

**⚠ WAARSCHUWING:** als u pakjes, toebehoren of beide op de kinderwagen plaatst, kan de wagen onstabiel worden.

**⚠ WAARSCHUWING:** Elk gewicht dat wordt bevestigd aan de handgreep en/of aan de rugleuning, of aan de zijkanten van de wandelwagen heeft een impact op de stabiliteit.

- Dit stoeltje moet helemaal in de ligstand worden geplaatst, totdat het kind zonder hulp kan zitten, zich kan omrollen en zich omhoog kan duwen met handen en knieën.
- De kinderwagen is niet bedoeld om een kind te dragen op trappen of roltrappen. Resulterende schade aan de kinderwagen is niet gedekt door de garantie.
- Deze kinderwagen vervangt geen wieg of bed. Als uw kind moet slapen, leg het dan in een geschikte kinderwagen, wieg of bed.
- Geen toebehoren gebruiken die niet zijn goedgekeurd door Baby Jogger.
- Kijk uit voor auto's – neem nooit aan dat een chauffeur u en uw kind kan zien.
- Het kind moet zitten (niet staan in de kinderwagen).
- Gebruik uitsluitend reserveonderdelen die door de Baby Jogger zijn geleverd of goedgekeurd.

## KADER

- 1 Pak het kader van de kinderwagen uit de doos uit en plaats de wielen opzij. Ontgrendel de kinderwagen door aan de knop van het opbergslot te trekken.
  - 2 Hef de duwstang op, weg van het onderste kader. De kinderwagen klikt vast.
  - 3 Plaats de kinderwagen rechtop.
- ⚠ WAARSCHUWING:** zorg ervoor dat alle vergrendelingen vóór gebruik zijn ingeschakeld.

## VOORWIEL

- 4 Installatie
  - Leg de kinderwagen neer met de duwstang op de grond.
  - Bevestig het voorwiel door het in het voorwielgedeelte van het kader te schuiven totdat het vastklikt. Trek voorzichtig aan het voorwiel om te controleren of het goed vastzit.
- 5 Verwijdering
  - Druk op de ontgrendelknop van het voorwiel en schuif het voorwiel voorzichtig uit het kader.

## ZWENKBLOKKERING

- 6 Druk de knop van de zwenkblokkering neer en schuif de grendel naar links om het hele voorwiel in een vaste positie vast te zetten voor een lange wandeling.
- 7 Druk de knop van de zwenkblokkering neer en schuif de grendel naar rechts om het hele voorwiel te laten zwenken.

- ⚠ WAARSCHUWING:** Vergrendel het voorwiel in een vaste positie als u het kind in de wagen plaatst of het eruit haalt. Hoewel het voorwiel van de kinderwagen kan worden vergrendeld, dient de wagen niet om te joggen of te trainen.

## ACHTERWIELEN

- 8 Installatie
  - Breng de as van het achterwiel in lijn met de plaats voor het wiel in het kader van de kinderwagen en duw het achterwiel in het kader totdat het vastklikt.
  - Trek voorzichtig aan het achterwiel om te controleren of het goed vastzit.
- 9 Verwijdering
  - Druk op de ontgrendelknop van het wiel en schuif het achterwiel voorzichtig uit het kader.

## REM

- 10 Knijp de remknop om te remmen.
  - 11 Remmen vergrendelen: duw de remknop voorzichtig vooruit, totdat die vastklikt.
  - 12 Remmen ontgrendelen: trek de ontgrendelknop van de rem naar u toe.
- ⚠ WAARSCHUWING:** vergrendel de remmen wanneer u uw kind in de kinderwagen plaatst of het eruit haalt, en ook als de kinderwagen stilstaat.
- 13 Indien de achterwielen niet gelijkmatig remmen, kunt u de remmen van de kinderwagen bijstellen. De aan te spannen rem is de rem voor het wiel dat blijft draaien tijdens het remmen. Zoek de stelschroef op de wielnaaf (A) met de losse rem. Zet de korte ring (B) van de rem los om de lange cilinderring (C) bij te stellen. Draai de lange cilinderring verder van de wielnaaf (A) om de kabel aan te spannen. (Niet te hard aanspannen!) Blokkeer de ringen door de korte ring (B) vast te zetten tegen de wielnaaf (A) terwijl u de lange cilinderring (C) op zijn plaats houdt. Knijp geleidelijk in de handrem voor meer controle over uw kinderwagen.

## STOELTJE – STOELTJE ONTVOUWEN

- 14 Houd het voetenplankje en de bovenkant van het stoeltje vast en open het stoeltje.
- 15 Het stoeltje zit vast in de open stand.

## KAP

- 16 Kap aan het kader bevestigen: bevestig de haken van de kap aan de zijkanten van het kader van het stoeltje.
- 17 Maak de 2 bevestigingsstrips aan de kap vast, aan de bovenkant van het stoeltje.

## GAREEL AANPASSEN

- 18 Maak de bevestigingsstrip vanaf de achterkant van het stoeltje los, open de zak en zoek de vierkante plasticstop. Draai aan de stop en geleid de stop door de openingen in het PE-bord en de stof van het stoeltje.
- 19 Steek de stop opnieuw in de opening van het stoeltje het dichtst bij de schouders van het kind. Opnieuw geleiden door de stof van het stoeltje en het PE-bord. Trek aan het bandje om te controleren of de stop vergrendeld is. Herhaal dit aan beide kanten.

**⚠ WAARSCHUWING:** Voorkom ernstig letsel door vallen of uitglijden. Stel het gareel altijd goed bij en maak het altijd goed vast.

**⚠ WAARSCHUWING:** gebruik altijd de kruisriem in combinatie met schouder- en heupgordels.

20 Schuif de gareelkussens omhoog om bij de plasticgeleider van de riem te komen.

21 Houd de plasticgeleider vast en trek aan de riem om vaster of losser te maken.

#### GAREEL GEBRUIKEN

22 Steek de gesp van de zijriem aan beide kanten in de gesp van het gareel.

23 Steek de verbonden gespen van gareel en zijriem in de kanten van de kruisgesp.

24 Druk op de knop van de kruisgesp om te ontgrendelen.

#### STOELTJE OP HET KADER PLAATSEN

25 Breng de accessoiremontagehaken in lijn met de montagehaken op het kader van de kinderwagen.

26 Schuif het stoeltje in de haken totdat het vastklikt. Beide kanten van het stoeltje moeten vóór gebruik stevig vastzitten in het kader.

NB: het stoeltje kan naar voren of naar achter gericht worden geplaatst.

#### STOELTJE VERWIJDEREN

27 Druk op de grijze lipjes aan de montagehaken en trek omhoog.

**⚠ WAARSCHUWING:** het kind altijd uit het stoeltje halen, voordat u het stoeltje uit het kader neemt.

#### STOELTJE IN LIGSTAND

28 Hef de knop voor stoeltje in ligstand aan de bovenkant van het stoeltje, achter de kap, op.

29 Neertrekken om het stoeltje te verlagen en optrekken om het stoeltje te verhogen, totdat het in de gewenste stand vastklikt.

#### HOOGTE VAN DUWSTANG AANPASSEN

30 Knijp de bijstellingsknop van de stang en schuif de stang omhoog of omlaag voor de gewenste lengte.

#### VOETENPLANKJE AANPASSEN

31 Hoek aanpassen: druk op de bijstellingsknoppen van het voetenplankje en verplaats omhoog of omlaag, totdat het vastklikt in de gewenste positie.

#### MANDJE VERWIJDEREN

32 Maak de bovenste druksluitingen van het mandje rond de middelste steunstang van het kader los. Maak dan de onderste druksluitingen rond de zijsteunstangen van het kader los.

33 Haak de bovenste plasticlus aan de voorkant los van de metalen knop aan de voorkant van het kader. Doe hetzelfde aan de andere kant.

#### OPVOUWEN

- Haal uw kind uit het stoeltje.

- U kunt de kinderwagen opvouwen met of zonder het stoeltje bevestigd en naar voren of naar achter gericht.

- Als u opvouwt met het stoeltje naar achter gericht, plaatst u het stoeltje best helemaal in de ligstand, voordat u de wagen opvouwt.

- Zet het zitje altijd zo recht mogelijk en naar voren gericht om de wandelwagen zo compact mogelijk samen te vouwen.

34 Trek de voetenplankjes omhoog en vouw het stoeltje naar omhoog op.

35 Trek de handgrepen voor snel opvouwen op een laat het kader samenvouwen. Duw met uw duim op het kader van de winkelwagen om de handgrepen voor snel opvouwen eenvoudiger op te kunnen tillen. De knop van het opbergslot moet vastklikken.

#### DE STOF VAN HET STOELTJE

##### VERWIJDEREN

36 Maak de stof van het stoeltje los van het kader.

37 Maak haak en oog los vanaf de achterkant van het stoeltje en schuif het riempje door de D-ring.

38 Press the Footwell Adjustment Buttons and pull out on the Footwell to remove the footwell bar from the seat frame. Pull the seat fabric out of the channel in the Footwell bar.

# ZORG EN ONDERHOUD

Om uw kinderwagen lang te gebruiken, is het belangrijk dat u de wagen eenvoudig en regelmatig onderhoudt. Controleer nu en dan of verbindingen en opvouwplaatsen nog in goede conditie zijn. Als u een piepend geluid hoort of spanning voelt, breng de kinderwagen dan naar een fietswinkel in de buurt om te smeren. Alle reparaties moeten worden uitgevoerd door een bevoegde verkoper.

## WASSEN

### Stof van het stoeltje

- Het zitje van de kinderwagen kan koud en met een zacht wasproduct in de machine worden gewassen.
- Verwijder het metalen kader en de PE-borden van het zitje, voordat u het wast.
- Gebruik geen oplosmiddelen of harde of schurende wasproducten.
- Om krimpen te beperken, bevestigt u het zitje aan het kader om te drogen.
- De stof niet strijken, chemisch reinigen, droogzwieren of uitwringen.
- Als de stoelbedekking moet worden vervangen, gebruik dan uitsluitend onderdelen van een bevoegde verkoper van Baby Jogger. Alleen deze onderdelen zijn gegarandeerd getest op veiligheid en zijn bedoeld om op dit stoeltje te passen.

### Plastic-/metalen onderdelen

- Maak schoon met een zachte zeep en lauw water.
- Geen enkel deel van de opvouwmechanismen van het stoeltje en de remmen verwijderen, ontmantelen of veranderen.

### Onderhoud van de wielen

- U kunt de wielen schoonmaken met een vochtige doek. Ze moeten helemaal worden gedroogd met een zachte handdoek of doek.

## OPBERGEN

- Door de zon kan de stof van het stoeltje verbleken en kunnen de banden uitdrogen. Daarom zal de kinderwagen langer mooi blijven, als u de wagen binnen laat staan.
- NIET buiten laten staan.
- Controleer of de kinderwagen droog is, voordat u de wagen voor een lange periode opbergt.
- De kinderwagen altijd opbergen in een droge omgeving.
- Berg de kinderwagen veilig op wanneer u de wagen niet gebruikt (waar kinderen niet ermee kunnen spelen).
- GEEN zware voorwerpen op de kinderwagen plaatsen.
- De kinderwagen NIET plaatsen in de directe nabijheid van een warmtebron, zoals een radiator of vuur.

# REGISTREER UW KINDERWAGEN ONLINE OP [www.babyjogger.com/register](http://www.babyjogger.com/register)

## Beperkte garantie over de gebruiksduur van Baby Jogger:

Baby Jogger garandeert dat het kader vrij is van productiefouten over de levensduur van het product. Fabricagefouten zijn onder meer, zonder beperking, het breken van een las of schade aan kaderpijpen. Voor textiel, andere zachte materialen en alle andere componenten geldt een garantie van één jaar vanaf de aankoopdatum (uitgezonderd pijpen en banden). U hebt een aankoopbewijs nodig voor een garantieclaim en de garantie geldt uitsluitend voor de originele koper.

## DE VOLGENDE ZAKEN ZIJN NIET GEDEKT DOOR DE GARANTIE:

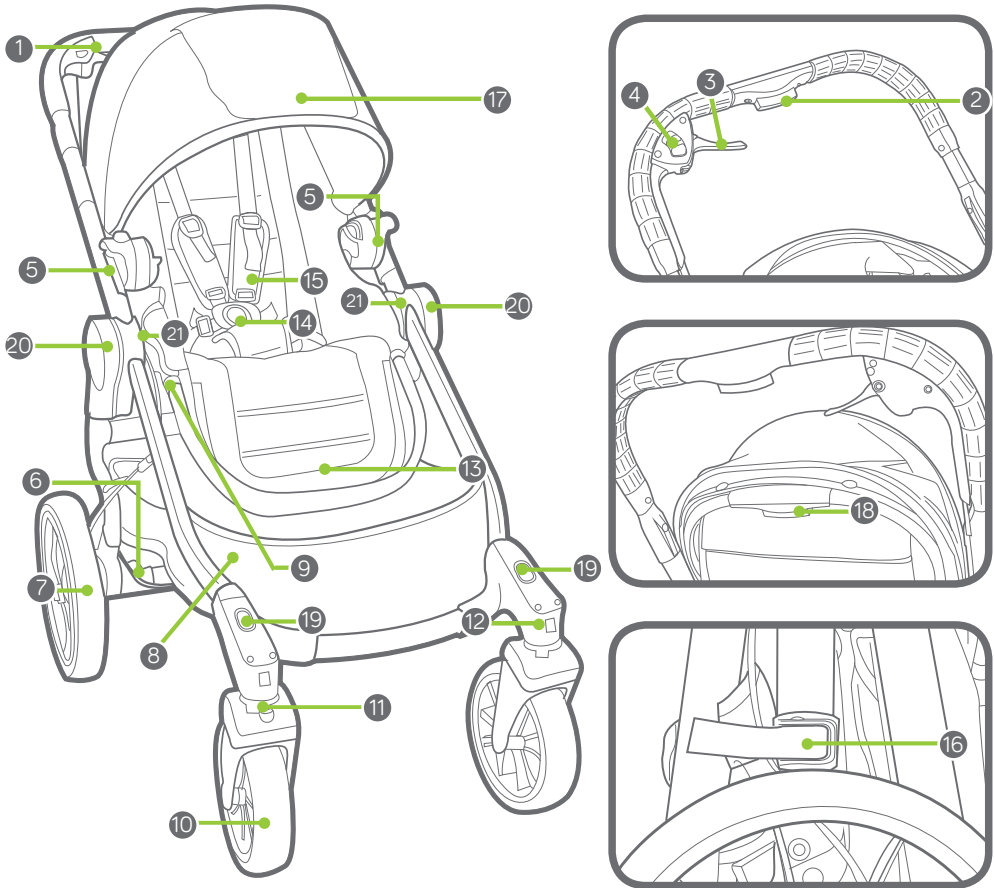
- Gewone slijtage
- Corrosie of roest
- Onjuiste montage en installatie van onderdelen of toebehoren van derden die niet verenigbaar zijn met het oorspronkelijk ontwerp
- Toevallige of opzettelijke schade, misbruik, nalatigheid of gebruik op trappen en roltrappen.
- Commercieel gebruik
- Onjuiste bewaring of slecht onderhoud van het product

Deze garantie sluit specifiek elke claim uit voor middellijke, toevallige of gevolgschade. De stilzwijgende garantie van verkoopbaarheid en geschiktheid voor een bepaald doel is conform de specifieke garantieperiode voor dit model op datum van aankoop. In staten waar de uitsluiting of beperking van toevallige of gevolgschade niet is toegestaan, zijn de bovenstaande beperkingen of uitsluitingen niet van toepassing. Deze garantie geeft u specifieke wettelijke rechten. Afhankelijk van uw verblijfplaats kunt u ook andere rechten hebben. Om te weten wat uw wettelijke rechten in uw verblijfplaats zijn, neemt u contact op met de overheid voor consumptiezaken waar u woont, of met het ministerie van Justitie.

Als u de kinderwagen buiten de Verenigde Staten hebt gekocht, neem dan contact op met de distributeur van het dichtstbijzijnde land. U vindt de contactinformatie op onze website, op <http://www.babyjogger.com/retailers/#international>. Voor garantieclaims buiten het land van aankoop van het product kunnen verzendkosten van toepassing zijn.



NB: Als u contact opneemt met de distributeur van Baby Jogger voor uw kinderwagen, maak dan dat u het serienummer en de fabricagedatum van de kinderwagen bij de hand hebt. U vindt ze op het opvouwmechanisme aan de rechterkant.



- |    |                                   |    |                                      |
|----|-----------------------------------|----|--------------------------------------|
| 1  | Håndtak                           | 12 | Utløserknapp for fronthjul           |
| 2  | Justeringsknapp for håndtak       | 13 | Fotrom                               |
| 3  | Bremsespak                        | 14 | Selespenne                           |
| 4  | Utløserknapp for parkeringsbremse | 15 | Seleputer                            |
| 5  | Setemonteringsbrakett             | 16 | Oppbevaringslås                      |
| 6  | Utløserknapp for bakhjul          | 17 | Kalesje                              |
| 7  | Bakhjul                           | 18 | Knapp for tilbakevipping av sete     |
| 8  | Oppbevaringskurv                  | 19 | Monteringsspor for andre seteadapter |
| 9  | Justeringsknapp for fotrom        | 20 | Håndtaket på foldestroppen           |
| 10 | Bakhjul                           | 21 | Monteringsspor for tilbehør          |
| 11 | Svingledd/lås                     |    |                                      |



# ADVARSEL

**VIKTIG** - Oppbevar disse instruksjonene for fremtidig bruk.

Les disse instruksjonene nøye før bruk. Barnets sikkerhet kan settes i fare hvis du ikke følger disse instruksjonene.

## ENKEL SITTEVOGN

- Denne sittevoغن har plass til én passasjer.

- ⚠ **ADVARSEL** Dette setet er ikke egnet for barn under 6 måneder. Maksimum vekt er 15 kg, maksimum høyde er 101,6 cm.
- Total anbefalt vektbelastning for denne sittevoغن er 26 kg. 15 kg i setet, 1 kg i setets baklomme og 7 kg i kurven.
- ⚠ **ADVARSEL**: Denne sittevoغن er ikke egnet for løping eller rulleskøyting.
- ⚠ **ADVARSEL**: Forlat aldri barnet uten tilsyn.
- ⚠ **ADVARSEL**: Bruk alltid sikringssystemet.
- ⚠ **ADVARSEL**: Kontroller at festeordningene i vognens hoveddel eller setet eller kjøretøysetet er riktig sammenkoblet før bruk.
- ⚠ **ADVARSEL**: For å unngå skade skal det påses at barn holdes på avstand når dette produktet slås ut eller slås sammen.
- ⚠ **ADVARSEL**: Ikke la barn leke med dette produktet
- ⚠ **ADVARSEL**: Pakker eller tilbehør, eller begge, som legges på enheten kan føre til ustabilitet i enheten.
- ⚠ **ADVARSEL**: Enhver last som er festet til håndtaket påvirker stabiliteten til skyvestolen.
- ⚠ **ADVARSEL**: Sørg for at alle låseordninger er sammenkoblet før bruk.

- ⚠ **ADVARSEL**: Vær forsiktig med å henge ting håndtaket, på baksiden av seteryggen eller på sidene av vognen, da dette vil gjøre vognen ustabil.

- Dette setet skal brukes i helt tilbakelemt stilling inntil et barn kan sitte uten hjelp, falle fremover eller skyve seg opp på hender og knær.
- Sittevoغن skal ikke brukes til å transportere barn opp eller ned trapper eller i rulletrapper. Skader som oppstår på sittevoغن i slike situasjoner blir ikke dekket under garantien.
- Denne sittevoغن erstatter ikke en barneseng eller en seng. Hvis barnet ditt trenger å sove, bør det legges i en passende barnevogn, barneseng eller seng.
- Tilbehør som ikke er godkjent av Baby Jogger skal ikke brukes.
- Se opp for biler - du bør aldri anta at en bilfører kan se deg og barnet ditt.
- Passasjeren skal alltid sitte (ikke stå i sittestolen).
- Bruk bare reservedeler som er levert eller godkjent av Baby Jogger.

**RAMME**

1 Pakk ut sittevognrammen fra esken og sett hjulene til side. Lås opp sittevognen ved å trekke i oppbevaringslåsspaken.

2 Løft håndtaket bort fra den nedre rammen. Sittevognen vil klikke på plass.

3 Sett sittevognen i stående stilling.

- ⚠ **ADVARSEL:** Sørg for at alle låseanordninger er sammenkoblet for bruk.

**FRONTHJUL****4 Installering**

- Legg sittevognen på ryggen slik at håndtaket hviler på gulvet.
- Sett på fronthjulet ved å skyve det inn i fronthjulholderen til det klikker på plass. Trekk forsiktig i fronthjulet for å være sikker på at det er sikkert festet.

**5 Fjerning**

- Mens du trykker inn utløserknappen for fronthjulet, skyv fronthjulet forsiktig ut av fronthjulholderen.

**SVINGLEDDFUNKSJONEN**

6 Trykk ned svingleddlåsknappen og skyv svingleddlåsen til venstre for å låse fronthjulet i fast posisjon for en lang tur.

7 Trykk ned svingleddlåseknappen og skyv svingleddlåsen til høyre når fronthjulet skal svinge.

- ⚠ **ADVARSEL:** Når du setter ned og tar opp barnet, låses fronthjulet i fast posisjon. Selv om fronthjulet på sittevognen kan låses, er det ikke beregnet på jogging eller treningsformål.

**BAKHJUL****8 Installering**

- Still inn bakhjulakselen med hjulholderen på sittevognrammen og sett den inn i hjulholderen til den klikker på plass.
- Trekk forsiktig i bakhjulet for å være sikker på at det er sikkert festet.

**9 Fjerning**

- Mens du trykker inn hjulutløserknappen, skyves bakhjulet forsiktig ut av hjulholderen.

**BREMSE**

10 For å kople inn hurtigbremsen, klem inn bremsespaken.

11 Låse parkeringsbremsene: Skyv bremsespaken forsiktig frem til den klikker på plass.

12 Utløse parkeringsbremsene: Trekk utløserknappen for parkeringsbremsen mot deg.

- ⚠ **ADVARSEL:** Lås bremsene før du setter ned og tar opp barnet ditt, og ellers når sittevognen ikke er i bevegelse.

13 Hvis bakhjulene ikke bremser likt, kan du justere bremsene på sittevognen. Bremsen på hjulet som fortsetter å spinne også ved breming, må strammes. Finn justeringsanordningen på hjulnavet (A) med den løse bremsen. Løsne den korte ringen på bremsen (B) for å justere den lange sylinderringen (C). Skru den lange sylinderringen lenger ut av hjulnavet (A) for å stramme kabelen. (Ikke stram for hardt til!) Du låser ringene ved å stramme den korte ringen (B) mot hjulnavet (A) mens du holder den lange sylinderringen (C) på plass. Klem håndbremsen gradvis sammen, dette gir deg bedre kontroll over sittevognen.

**SETET - BRETTE UT SETET**

14 Hold i fotrommet og toppen på settet og åpne setet.

15 Setet låses i sin åpne stilling.

**KALESJE**

16 Fest kalesjen til rammen: Fest kalesjebraketene til sidene på seterammen.

17 Fest de 2 festestroppene på kalesjen til toppen på setet.

**JUSTERE SIKKERHETSSELENE**

18 Fra baksiden på setet løsnes festestroppen og lommen åpnes for å finne den firkantede plaststopperen. Snu stopperen og før den gjennom åpningene i PE-brettet og setetrekket.

19 Sett tilbake stopperen i seteåpningen nærmest barnets skuldre. Trykk bakover gjennom setetrekket og PE-brettet. Trekk i stroppe for å påse at stopperen er låst. Gjenta på begge sider.

- ⚠ **ADVARSEL:** Unngå alvorlig skade forårsaket av fall eller at barnet sklir ut. Sikkerhetsselelene skal alltid justeres og festes på riktig måte.

- ⚠ ADVARSEL:** Bruk alltid skrittstroppen sammen med skulderstroppen og midjebeltet.
- 20 Skyv seleputene opp for å få tilgang til plastføreren på stroppen.
- 21 Hold plastføreren og trekk i stroppen for å stramme eller løsne.
- BRUKE SIKKERHETSSELENE**
- 22 Før sidestroppspennene inn i selespennene på begge sider.
- 23 Sett inn den sammenkoblede selen og sidestroppspennene inn i sidene på skrittspennene.
- 24 Trykk på knappen på skrittspennene for å frigjøre den.
- SETTE SETET PÅ RAMMEN**
- 25 Rett inn brakettene for tilbehørholderen med monteringsbrakettene på sittevognerammen.
- 26 Skyv setet inn i brakettene til det klikker på plass. Sørg for at begge sidene på setet er sikkert festet i rammen før det tas i bruk. **MERK:** Setet kan være installert enten i fremover- eller bakoverstilling.
- FJERNE SETET**
- 27 Trykk inn de grå flikene på monteringsbrakettene og trekk opp.
- ⚠ ADVARSEL:** Ta alltid barnet ut av setet før du fjerner setet fra rammen.
- VIPPE SETET BAKOVER**
- 28 Løft tilbakeleningsspaken på setet som fines øverst på setet, bak kalesjen.
- 29 Trekk ned for å senke setet og trekk opp for å løfte setet til det klikker på plass i ønsket stilling.
- JUSTERE HÅNDTAKSHØYDEN**
- 30 Klem på håndtaksjusteringsknappen og skyver håndtaket opp eller ned til ønsket lengde.
- JUSTERBART FOTROM**
- 31 Justere vinkelen: Trykk på justeringsknappene på fotrommet og flytt det opp eller ned til det klikker på plass i ønsket stilling.
- FJERNE KURVEN**
- 32 Løsne toppklemmene på kurven rundt den midterste støttestangen på rammen. Deretter løsnes bunnklemmene på kurven rundt sidestøttestengene på rammen.

- 33 Løsne den øverste plastløyken fra metallknappen foran på rammen. Gjenta på motsatt side.
- BRETTE SAMMEN**
- Ta barnet ut av setet.
  - Sittevogneren kan brettes sammen med eller uten setet påfestet, eller om det vender forover eller bakover.
  - Ved sammenbretting av et bakovervendt sete, anbefaler vi at setet lenes helt bakover før det brettes sammen.
  - Sett alltid setet i helt oppreist posisjon og sett det i fremovervendt stilling for å oppnå mest kompakt bretting.
- 34 Trekk opp setets fotrom og brett setet opp.
- 35 Trekk opp håndtaket på foldestroppen og la rammen falle sammen. Skyv ned rammen på sittevogneren med tommelen for å gjøre løfting av håndtakene med hurtigbretting lettere. Påse at oppbevaringslåsespaken klikker på plass.
- FJERNE SETETREKKET**
- 36 Knepp opp setetrekke fra seterammen.
- 37 Løsne krok-og-løkke fra baksiden på setet og skyv stroppen gjennom D-ringen.
- 38 Trykk på justeringsknappene på fotrommet og trekk ut fotrommet slik at du kan fjerne fotromskinnen fra seterammen. Trekk setetrekke ut av kanalene i fotromstangen.

# STELL OG VEDLIKEHOLD

For å bevare brukstiden for din sittevogn, er det viktig å utføre enkelt, jevnlig vedlikehold. Fra tid til annen bør du sørge for at leddene og brettestedene er i god stand. Hvis du hører knirking eller kjenner spenning, kan du ta sittevognen til en lokal sykkelbutikk for å utføre smøring. Alle reparasjoner skal bare utføres av en autorisert forhandler.

## VASKING

### Setetrekket

- Du kan vaske sittevognens sete i vaskemaskin i kaldt vann med mild såpe.
- Husk å fjerne metallrammen og PE-brettene fra setet før vask.
- Ikke bruk oppløsninger, kaustiske eller skurende rengjøringsmaterialer.
- For å redusere krymping, kan du ganske enkelt sette setet tilbake på rammen for å tørke.
- Trekket skal ikke presses, strykes, renses, tørkes i tørketrommel eller vris opp.
- Hvis setetrekk må skiftes ut, skal det bare brukes deler fra en autorisert Baby Jogger-forhandler. De er de eneste som er garantert å være sikkerhetstestet og utformet for dette setet.

### Plast/metall-deler

- Tørkes av med mild såpe og varmt vann.
- Du bør ikke fjerne, ta fra hverandre eller endre noen del av setets bremtemekanisme eller bremser.

### Stell av hjulene

- Hjulene kan rengjøres med en fuktig klut. De må tørkes helt med et mykt håndkle eller klut.

## OPPBEVARING

- Sollys kan bleke setetrekket og tørke ut dekkene. Innendørs oppbevaring vil forlenge det fine utseendet.
- Skal IKKE oppbevares utendørs.
- Sørg for at sittevognen er tørr før den oppbevares i lengre perioder.
- Sittevognen skal alltid oppbevares i tørre omgivelser.
- Oppbevar sittevognen på et trygt sted når den ikke er i bruk (for eksempel der barn ikke kan leke med den).
- IKKE legg tunge gjenstander på sittevognen.
- IKKE oppbevar sittevognen nær direkte varmekilder, som en radiator eller åpen ild.

# REGISTRER DIN SITTEVOGN PÅ NETTET PÅ [www.babyjogger.com/register](http://www.babyjogger.com/register)

## Begrenset livstidsgaranti for Baby Jogger

Baby Jogger garanterer at rammen er fri for produksjonsfeil i hele produktets levetid. Produsentens defekter inkluderer, men er ikke begrenset til brudd på sveiseskjøter og skade på rammerør. Tekstiler eller myke sidematerialer og alle andre komponenter skal være garantert for ett år fra kjøpsdato (unntatt for rør og dekk). Kjøpsbevis er nødvendig for å foreta et garantikrav, og garantien er bare gitt til den opprinnelige kjøperen.

### DENNE GARANTIEN DEKKER IKKE

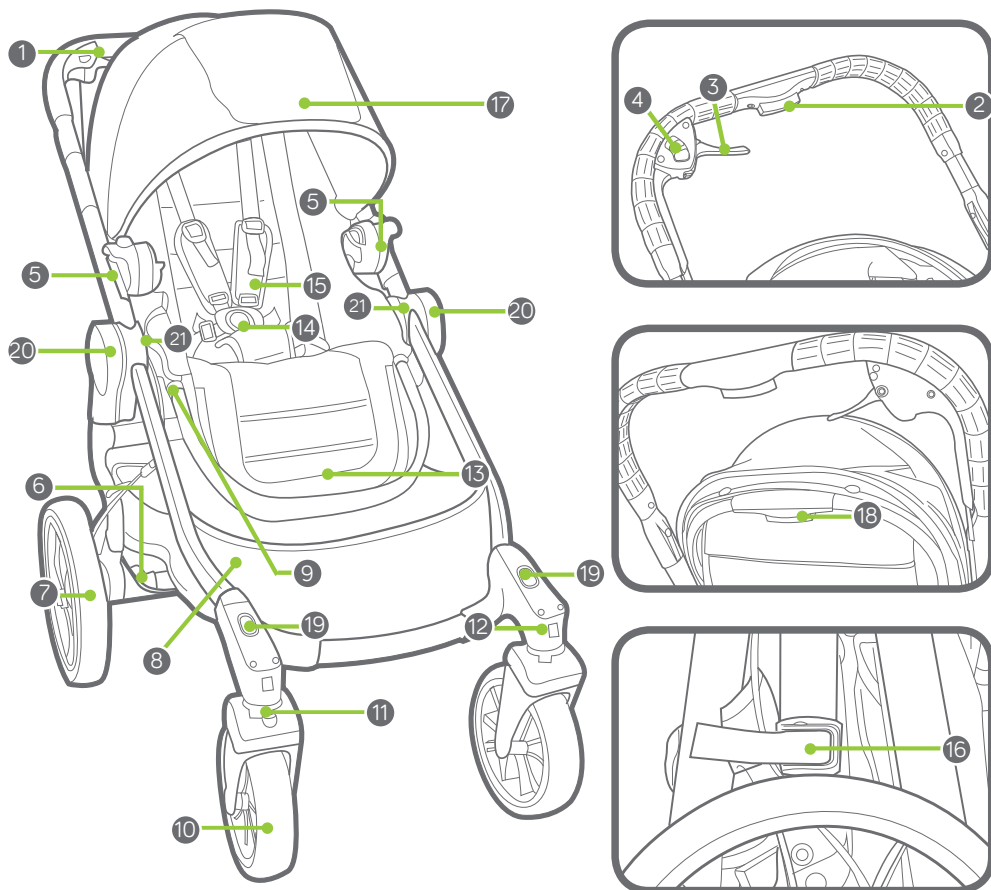
- Normal slitasje
- Korrosjon eller rust
- Feil montering, eller installasjon av tredjeparts deler eller tilbehør som ikke er kompatible med den originale utformingen.
- Utsiktet eller tilsiktet skade, misbruk eller forsømmelse, eller bruk i trapper eller rulletrapper.
- Kommersiell bruk
- Upassende oppbevaring/stell av enheten

Denne garantien ekskluderer spesifikt krav i forbindelse med indirekte, tilfeldige eller følgeskader. De underforståtte garantiene for salgbarhet og egnethet for et bestemt formål er i henhold til den spesifikke garantiperioden for denne modellenheten på kjøpstidspunktet. Ettersom enkelte land ikke tillater fraskrivelse eller begrensning av tilfeldige skader eller følgeskader, så det er mulig at de ovennevnte begrensningene ikke gjelder for deg. Denne garantien gir deg spesifikke juridiske rettigheter, og du kan også ha andre rettigheter som varierer fra stat til stat. For å vite hva dine rettigheter er i staten, ta kontakt med din lokale eller statlige forbrukersaks kontor eller en juridisk rådgiver.

Hvis vognen ble kjøpt utenfor USA, kontakt distributøren i landet som er nærmest deg. Deres kontaktinformasjon finnes på vårt nettsted på <http://www.babyjogger.com/retailers/#international>. Krav om garanti utenfor det landet der produktet ble kjøpt, kan medføre fraktkostnader.



**MERK:** Hvis du skal kontakte Baby Jogger-distributøren angående sittevoغن, må du ha vognens serienummer og produksjonsdato klar. Du finner dette på høyre bremtemekanisme.



- |  |  |
|--|--|
| 1 Rączka                                   | 12 Zwalniacz przedniego kółka              |
| 2 Przycisk do regulacji rączki             | 13 Podłoga wózka                           |
| 3 Dźwignia hamulca                         | 14 Klamra szelek                           |
| 4 Przycisk zwalniania hamulca parkingowego | 15 Ochroniacze szelek                      |
| 5 Wspornik do mocowania siedziska          | 16 Blokada pozycji przechowywania          |
| 6 Zwalniacz tylnego kółka                  | 17 Budka                                   |
| 7 Tylnie kółko                             | 18 Przycisk do rozkładania siedziska       |
| 8 Koszyk                                   | 19 Gniazda montażowe adaptera 2. siedziska |
| 9 Przycisk do regulacji podłogi wózka      | 20 Uchwyty do szybkiego składania          |
| 10 Przednie kółko                          | 21 Złącza do mocowania akcesoriów          |
| 11 Krętlik/blokada                         |  |

# OSTRZEŻENIE

**WAŻNE:** Zachowaj instrukcję do wglądu. Przed użyciem wózka uważnie przeczytaj instrukcję. Nieprzestrzeganie instrukcji może zagrozić bezpieczeństwu dziecka.

## WÓZEK JEDNOOSOBOWY

- Wózek jest przeznaczony do przewożenia jednego dziecka.

- ⚠ **OSTRZEŻENIE:** Moduł siedziska nie nadaje się dla dzieci poniżej 6. miesiąca życia. Maksymalna waga dziecka: 15 kg; maksymalny wzrost: 101,6 cm.
- Zalecane maksymalne obciążenie wózka: 28 kg. 15 kg w siedzisku, 1 kg w tylnej kieszeni siedziska i 7 kg w koszyku.
- ⚠ **OSTRZEŻENIE:** Wózek nie nadaje się do biegania na rolkach ani na łyżwach.
- ⚠ **OSTRZEŻENIE:** Nie wolno zostawiać dziecka bez opieki.
- ⚠ **OSTRZEŻENIE:** Zawsze stosuj system zabezpieczeń.
- ⚠ **OSTRZEŻENIE:** Przed użyciem sprawdź, czy elementy mocujące ramy wózka, modułu siedziska lub fotelika samochodowego są prawidłowo zablokowane.
- ⚠ **OSTRZEŻENIE:** Aby uniknąć uszkodzenia ciała, podczas składania wózka dziecko powinno znajdować się z dala od niego.
- ⚠ **OSTRZEŻENIE:** Zablokuj hamulce przed wyjęciem dziecka z wózka i włożeniem go do niego oraz zawsze wtedy, gdy wózek się nie porusza.
- ⚠ **OSTRZEŻENIE:** Przed użyciem wózka sprawdź, czy wszystkie elementy blokujące są zablokowane.

- ⚠ **OSTRZEŻENIE:** Nie pozwól dzieciom bawić się wózkiem.
- ⚠ **OSTRZEŻENIE:** Paczki lub akcesoria umieszczone na wózku mogą spowodować jego niestabilność.
- ⚠ **OSTRZEŻENIE:** Każdy ciężar przywieszony do rączki lub tylnej części oparcia albo boków wózka zaburza jego stabilność.
- Jeśli dziecko nie umie jeszcze samo siedzieć, obrócić się albo raczkować, używaj siedziska w pozycji maksymalnie rozłożonej.
- Wózek nie służy do przewożenia dziecka po schodach ani schodach ruchomych. Wynikające z tego uszkodzenia wózka nie są objęte gwarancją.
- Wózek mnie zastępuje łóżeczka ani kojca. Jeśli dziecko potrzebuje snu, należy je położyć w odpowiednim wózku spacerowym lub łóżeczku.
- Nie używaj akcesoriów innych niż zatwierdzone przez firmę Baby Jogger.
- Uważaj na samochody: nigdy nie zakładaj, że kierowca widzi Ciebie i Twoje dziecko.
- Dziecko musi cały czas siedzieć (nie może stać w wózku).
- Należy używać wyłącznie części zamiennych dostarczonych lub zatwierdzonych przez Baby Jogger.

## RAMA

- 1 Wyjmij ramę wózka z opakowania i odłóż kółka na bok. Odblokuj wózek, ciągnąc za dźwignię blokady pozycji przechowywania.
- 2 Podnieś rączkę i odsuń ją od dolnej ramy. Konstrukcja wózka zatrzasknie się we właściwym położeniu.
- 3 Postaw wózek w normalnej pozycji.

**⚠ OSTRZEŻENIE:** Przed użyciem wózka sprawdź, czy wszystkie elementy blokujące są zablockowane.

## PRZEDNIE KÓŁKO

### 4 Montaż

- Połóż wózek „do góry nogami”, tak aby rączka leżała na podłodze.
- Zamocuj przednie kółko, wsuwając je na wspornik, aż usłyszysz kliknięcie. Delikatnie pociągnij przednie kółko, aby sprawdzić, czy jest prawidłowo zamocowane.

### 5 Demontaż

- Naciskając na zwalniacz przedniego kółka, delikatnie zsuń przednie kółko ze wspornika.

## FUNKCJA KRĘTLIKA

- 6 Wciśnij przycisk blokady krętlika i przesun ją w lewo, aby zablockować przednie kółko w ustalonej pozycji, odpowiedniej do jazdy na duże odległości.

- 7 Wciśnij przycisk blokady krętlika i przesun ją w prawo, aby odblokować przednie kółko i umożliwić mu swobodne obracanie się.

**⚠ OSTRZEŻENIE:** Podczas wkładania dziecka do wózka i wyjmowania go zablokuj przednie kółko w ustalonej pozycji. Choć przednie kółko można zablockować, wózek nie nadaje się do biegania ani innych ćwiczeń fizycznych.

## TYLNE KÓŁKA

### 8 Montaż

- Ustaw osłony tylnych kółek równo z wspornikiem kółek na ramie wózka i wsuń ją do wspornika, aż usłyszysz kliknięcie.
- Delikatnie pociągnij tylne kółko, aby sprawdzić, czy jest prawidłowo zamocowane.

### 9 Demontaż

- Naciskając na zwalniacz kółka, delikatnie zsuń tylne kółko ze wspornika.

## HAMULEC

- 10 W celu włączenia szybkiego hamulca ściśnij dźwignię hamulca.
- 11 Blokowanie hamulca parkingowego: delikatnie popchnij dźwignię hamulca do przodu, aż usłyszysz kliknięcie.

- 12 Zwalnianie hamulca parkingowego: pociągnij przycisk zwalniania hamulca parkingowego do siebie.

**⚠ OSTRZEŻENIE:** Zablockuj hamulce przed wyjęciem dziecka z wózka i włożeniem go do niego oraz zawsze wtedy, gdy wózek się nie porusza.

- 13 Jeśli tylne kółka nie hamują równomiernie, można wyregulować hamulce wózka. Hamulec kółka, które obraca się nadal pomimo hamowania, musi zostać dociągnięty: Znajdź regulator na piaście niehamującego koła (A). Poluzuj krótki pierścień hamulca (B) w celu wyregulowania długiego pierścienia cylindrycznego (C). Wykręć nieco długi pierścień cylindryczny z piasty koła (A) w celu naprężenia linki. (Nie naprężaj zbyt mocno!) W celu zablockowania pierścieni dokręć krótki pierścień (B) do piasty koła (A), przytrzymując w miejscu długi pierścień cylindryczny (C). Sciskaj hamulec ręczny stopniowo, aby lepiej kontrolować wózek.

## SIEDZISKO — ROZKŁADANIE SIEDZISKA

- 14 Przytrzymując podłogę wózka i górę siedziska, rozłóż je.
- 15 Siedzisko zablokuje się w położeniu otwartym.

## BUDKA

- 16 Zamocuj budkę do ramy: zamocuj wsporniki budki z boków ramy siedziska.
- 17 Zapnij 2 paski mocujące budkę do górnej części siedziska.

## REGULACJA SZELEK BEZPIECZEŃSTWA

- 18 Odepnij pasek od tylnej części siedziska i otwórz kieszeń, aby zlokalizować plastikowy kwadratowy stoper. Obróć stoper i przełóż przez otwory w płycie z polietylenu i tapicerkę siedziska.
- 19 Włóż stoper ponownie do tego otworu w oparciu siedziska, który znajduje się najbliższej barków dziecka. Przełóż go



z powrotem przez otwór w tapicerce siedziska i płyty z polietylenu. Pociągnij za pasek, aby sprawdzić, czy stoper jest zablokowany. Wykonaj te same czynności po obu stronach.

**⚠️ OSTRZEŻENIE:** Nie dopuść do wypadnięcia lub wysunięcia się dziecka z wózka — może to spowodować poważne obrażenia. Zawsze odpowiednio reguluj i zapinaj szelki bezpieczeństwa.

**⚠️ OSTRZEŻENIE:** Zawsze używaj paska krokowego w połączeniu z paskami naramiennymi i paskiem biodrowym.

20 Przesuń ochraniacze szelek, aby odsłonić plastikową prowadnicę na pasku.

21 Przytrzymaj plastikową prowadnicę i pociągnij pasek, aby go skrócić lub poluzować.

#### UŻYWANIE SZELEK BEZPIECZEŃSTWA

22 Wsuń klamry pasków bocznych w klamrę szelek (po obu stronach).

23 Wsuń połączone klamry szelek i pasków bocznych w klamrę paska krokowego.

24 Aby rozpiąć szelki, wciśnij przycisk na klamrze paska krokowego.

#### UMIESZCZANIE SIEDZISKA NA RAMIE

25 Ustaw wsporniki do mocowania akcesoriów równo ze wspornikami na ramie wózka.

26 Wsuń siedzisko we wsporniki, aż usłyszysz kliknięcie. Przed użyciem wózka sprawdź, czy obie strony siedziska są dobrze przymocowane do ramy.

**UWAGA:** Siedzisko można zamocować przodem albo tyłem do kierunku jazdy.

#### ZDEJMOWANIE SIEDZISKA

27 Wciśnij szare jęczyczki na wspornikach mocujących i pociągnij do góry.

**⚠️ OSTRZEŻENIE:** Przed zdjęciem siedziska z ramy zawsze wyjmij dziecko z wózka.

#### ROZKŁADANIE SIEDZISKA

28 Podnieś dźwignię do rozkładania siedziska, znajdującą się na górze siedziska, za budką.

29 Pociągnij ją w dół, aby obniżyć oparcie, lub w górę, aż zatrzaśnie się we właściwym położeniu.

#### REGULACJA WYSOKOŚCI RĄCZKI

30 Wciśnij przycisk regulacji rączki i wsuń lub wysuń rączkę na odpowiednią długość.

#### REGULOWANA PODŁOGA

31 Ustaw kąt: wciśnij przyciski regulacyjne na podłodze wózka i podnieś ją lub opuść, aż zatrzaśnie się w odpowiednim położeniu.

#### ZDEJMOWANIE KOSZYKA

32 Odepnij górne zatrzaski koszyka wokół środkowego elementu ramy. Potem odepnij dolne zatrzaski wokół bocznych elementów ramy.

33 Zdejmij górne przednie oczko plastikowe z metalowego zaczepu na przedniej części ramy. Zrób to samo po drugiej stronie wózka.

#### SKŁADANIE WÓZKA

- Wyjmij dziecko z siedziska.
- Wózek można składać bez siedziska lub z siedziskiem (zamocowanym przodem lub tyłem do kierunku jazdy).

- Jeśli siedzisko jest założone tyłem do kierunku jazdy, zaleca się, aby przed składaniem wózka całkowicie je rozłożyć.

- Aby uzyskać jak najmniejsze wymiary po złożeniu, zawsze odchylaj fotelik do najbardziej wyprostowanego położenia i umieszczaj przodem do kierunku jazdy.

34 Pociągnij podnóżek siedziska i złóż siedzisko w górę.

35 Pociągnij uchwyty do szybkiego składania i pozwól, aby rama się złożyła. Naciśnij ramę wózka kciukiem, aby ułatwić podniesienie uchwytów do szybkiego składania. Sprawdź, czy dźwignia blokady pozycji przechowywania zatrzasnęła się we właściwym położeniu.

#### ZDEJMOWANIE TAPICERKI SIEDZISKA

36 Odepnij tapicerkę od ramy siedziska.

37 Rozepnij rzep za siedziskiem i przewlec pasek przez półkoliste oczko.

38 Wciśnij przyciski regulacji podnóżka i pociągnij podnóżek, aby wyjąć obramowanie podnóżka z ramy siedziska. Wyciągnij tapicerkę siedziska ze szczeliny w obramowaniu podnóżka.

# UTRZYMANIE CZYSTOŚCI I KONSERWACJA

Aby wózek długo spełniał swoją funkcję, trzeba regularnie przeprowadzać proste czynności konserwacyjne. Od czasu do czasu sprawdzaj, czy połączenia i części, które się zginają lub składają, są nadal w dobrym stanie. Jeśli jakiś element skrzypi albo porusza się z trudem, możesz zabrać wózek do lokalnego warsztatu rowerowego, aby go dodatkowo nasmarować. Wszystkie naprawy należy zlecać wyłącznie autoryzowanym przedstawicielom producenta.

## PRANIE

### Tapicerka siedziska

- Tapicerkę siedziska wózka można prać w pralce, w niskiej temperaturze i przy użyciu łagodnego detergentu.
- Przed praniem wyjmij z siedziska metalową ramę i płyty z polietylenu.
- Nie używaj rozcieńczalników, sody ani szorstkich materiałów czyszczących.
- Aby zminimalizować ryzyko skurczenia się tapicerki, zamocuj siedzisko na ramie do wysuszenia.
- Tapicerki nie wolno prasować, czyścić chemicznie, suszyć w suszarce bębnowej ani wykręcać.
- Jeśli osłonę siedziska trzeba wymienić, używaj tylko części kupionych u autoryzowanego przedstawiciela firmy Baby Jogger. Tylko takie części zostały przetestowane pod kątem bezpieczeństwa i zaprojektowane tak, aby pasowały do danego siedziska.

### Części plastikowe i metalowe

- Wytrzyj je do czysta, używając łagodnego detergentu i ciepłej wody.
- Nie wolno zdejmować, demontować ani modyfikować żadnej części hamulców ani mechanizmu składania siedziska.

## Konserwacja kółek

- Kółka można czyścić wilgotną ściereczką. Potem wysusz je dokładnie miękkim ręcznikiem lub szmatką.

## PRECHOWYWANIE

- Światło słoneczne może powodować blaknięcie tapicerki i wysuszać opony. Wózek będzie więc dłużej wyglądał estetycznie, jeśli będzie przechowywany w pomieszczeniu.
- **NIE NALEŻY** przechowywać wózka na dworze.
- Zanim schowasz wózek na dłuższy czas, upewnij się, że jest suchy.
- Zawsze przechowuj wózek w suchym miejscu.
- Gdy wózek nie jest używany, schowaj go w bezpiecznym miejscu (nieдоступnym dla dzieci).
- **NIE WOLNO** kłaść na górze wózka ciężkich przedmiotów.
- **NIE WOLNO** przechowywać wózka w pobliżu bezpośredniego źródła ciepła, np. grzejnika lub ognia.

# ZAREJESTRUJ SWÓJ WÓZEK ONLINE NA STRONIE [www.babyjogger.com/register](http://www.babyjogger.com/register)

## Ograniczona gwarancja dożywotnia firmy Baby Jogger:

Firma Baby Jogger gwarantuje, że rama wózka będzie wolna od wad produkcyjnych przez cały okres jego eksploatacji. Wady produkcyjne obejmują m.in. pęknięcia spoin i uszkodzenia rur ramy. Gwarancja na materiały tekstylne i miękkie wypełnienie oraz wszystkie inne elementy obowiązuje przez jeden rok od daty zakupu (wyjątkiem są dętki i opony). Do wystąpienia z roszczeniem gwarancyjnym wymagany jest dowód zakupu, a gwarancja obejmuje wyłącznie oryginalnego nabywcę wózka.

## GWARANCJA NIE OBEJMUJE:

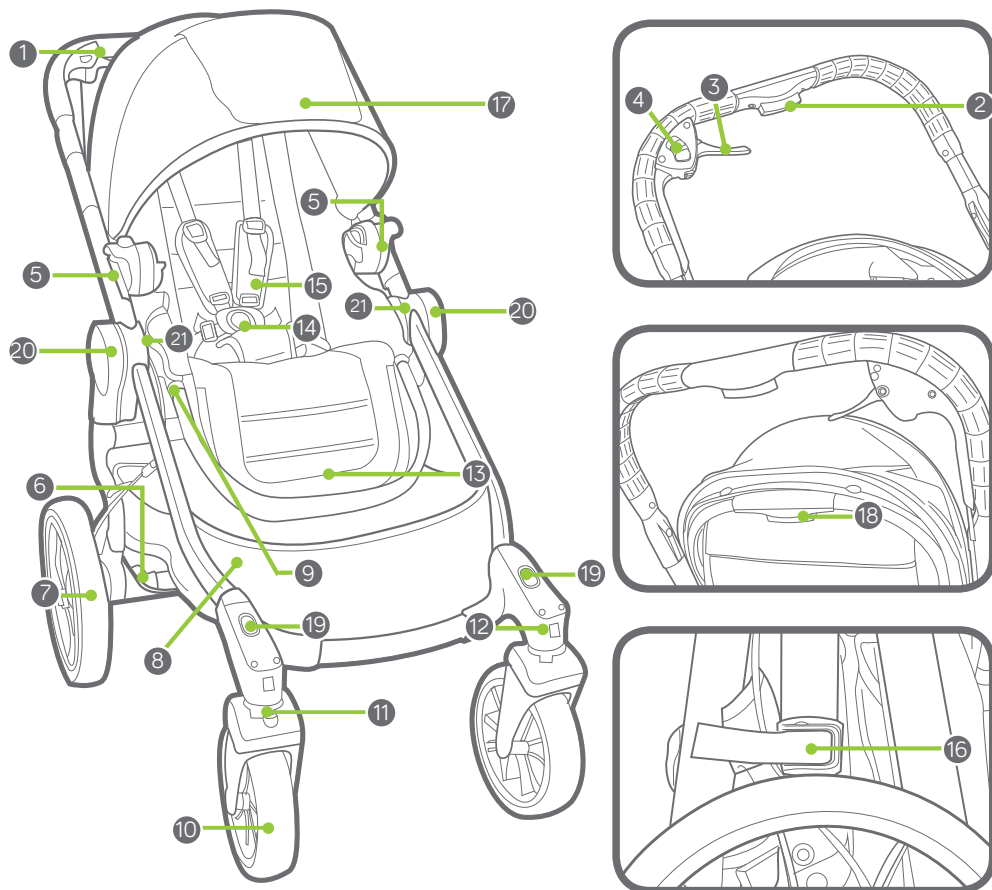
- zwykłego zużycia;
- korozji ani rdzy;
- nieprawidłowego montażu ani mocowania niepasujących do oryginalnej konstrukcji części lub akcesoriów firm zewnętrznych;
- uszkodzeń powstałych celowo lub w skutek wypadku, nadużycia lub zaniedbania, a także używania wózka na schodach lub schodach ruchomych;
- użytkowania wózka w celach komercyjnych;
- nieprawidłowego przechowywania wózka i jego nieprawidłowej konserwacji.

Z zakresu gwarancji wyraźnie wyłącza się roszczenia dotyczące strat pośrednich, wypadkowych lub wynikowych. Dorozumiana gwarancja użyteczności handlowej lub przydatności do określonego celu jest udzielana na okres gwarancji zdefiniowany dla danego modelu w momencie jego zakupu. W niektórych stanach USA włączenie lub ograniczenie odpowiedzialności za szkody wypadkowe lub wynikowe jest niedozwolone, powyższe ograniczenia lub wyłączenia mogą więc nie dotyczyć konkretnie Ciebie. Niniejsza gwarancja daje Ci określone prawa; mogą Ci przysługiwać także inne prawa, różniące się między poszczególnymi stanami USA. Aby poznać zakres przysługujących Ci praw, skontaktuj się z lokalnym biurem lub rzecznikiem praw konsumenta albo z biurem prokuratora generalnego w danym stanie USA.

Jeśli wózek zakupiono poza USA, skontaktuj się z dystrybutorem w najbliższym kraju. Dane kontaktowe dystrybutorów można znaleźć na stronie: <http://www.babyjogger.com/retailers/#international>. Roszczenia gwarancyjne zgłoszone poza krajem zakupu produktu mogą wiązać się z koniecznością pokrycia kosztów wysyłki.



**UWAGA:** Jeśli kontaktujesz się z dystrybutorem firmy Baby Jogger w sprawie związanej ze swoim wózkiem, przygotuj jego numer seryjny i datę produkcji. Można je znaleźć na mechanizmie składania wózka, z prawej strony.



- |    |  |    |  |
|----|--|----|--|
| 1  | Pega   | 12 | Botão de desbloqueio da roda dianteira           |
| 2  | Botão de ajuste da pega                          | 13 | Zona dos pés                                     |
| 3  | Alavanca do travão                               | 14 | Fivela do arnês                                  |
| 4  | Botão de desbloqueio do travão de estacionamento | 15 | Acolchoado do arnês                              |
| 5  | Suporte de fixação do assento                    | 16 | Bloqueio de arrumo                               |
| 6  | Botão de desbloqueio da roda traseira            | 17 | Capota   |
| 7  | Roda traseira                                    | 18 | Botão para reclinar o assento                    |
| 8  | Cesto de arrumo                                  | 19 | Ranhas de montagem do adaptador para 2.º assento |
| 9  | Botão de ajuste da zona dos pés                  | 20 | Pegas de dobragem rápida                         |
| 10 | Roda dianteira                                   | 21 | Ranhas de montagem de acessório                  |
| 11 | Bloqueio de rotação                              |    |  |

# AVISO

**IMPORTANTE** - Guarde estas instruções para referência futura. Leia cuidadosamente estas instruções antes de utilizar. A segurança do seu bebé pode ficar em risco se não seguir estas instruções.

## CARRINHO ÚNICO

- Este carrinho transporta apenas um passageiro.

**⚠️ AVISO:** Este assento não é adequado para crianças com idade inferior a 6 meses. O peso máximo é de 15 kg; a altura máxima é de 101,6 cm.

- A carga de peso total recomendada para este carrinho é de 26 kg. 15 kg no assento, 1 kg na bolsa traseira no assento e 7 kg no cesto.

**⚠️ AVISO:** Este carrinho não é adequado para correr andar de skate nem de patins.

**⚠️ AVISO:** Nunca deixe a criança sem supervisão.

**⚠️ AVISO:** Utilize sempre o sistema de retenção.

**⚠️ AVISO:** Verifique se o corpo do carrinho ou acessório da unidade do assento ou os dispositivos de fixação da cadeirinha no carro estão corretamente engatados antes da utilização.

**⚠️ AVISO:** Para evitar lesões, certifique-se de que a criança está afastada quando da abertura e fecho deste produto.

**⚠️ AVISO:** Bloqueie os travões antes de colocar e retirar a criança e sempre que o carrinho não estiver em movimento.

**⚠️ AVISO:** certifique-se de que os dispositivos de bloqueio estão engatados antes da utilização.

**⚠️ AVISO:** Não permita que a criança brinque com este produto.

**⚠️ AVISO:** A colocação de sacos ou itens semelhantes na unidade pode desequilibrar a unidade.

**⚠️ AVISO:** Qualquer tipo de carga colocada na pega e/ou na parte de trás do encosto e/ou nas partes laterais do veículo afeta a estabilidade do mesmo.

- Este assento deve ser usado na sua posição mais reclinada até a criança conseguir sentar-se sozinha, rolar ou gatinhar.

• Este carrinho não foi concebido para transportar crianças em escadas normais ou escadas rolantes. Quaisquer danos provocados no carrinho não são abrangidos pela garantia.

• Este carrinho não substitui um berço ou uma cama. Se a criança tiver de dormir, deve colocá-la num carrinho, berço ou cama adequados.

• Não é permitida a utilização de acessórios não aprovados pela Baby Jogger.

• Esteja atento aos automóveis - nunca parta do princípio de que os condutores estão a vê-lo a si e ao seu filho.

• O passageiro tem de permanecer sentado (não pode permanecer de pé no carrinho).

• Utilize apenas peças de substituição fornecidas ou aprovadas pelo Baby Jogger.

## ESTRUTURA

- 1 Desembale a estrutura do carrinho da caixa e coloque as rodas de parte. Desbloqueie o carrinho puxando a Alavanca de bloqueio de arrumo.
  - 2 Levante a Pega afastando-a da estrutura inferior. O carrinho faz um clique e as suas peças encaixam.
  - 3 Coloque o carrinho em posição vertical.
- ⚠️ AVISO:** certifique-se de que os dispositivos de bloqueio estão engatados antes da utilização.

## RODA DIANTEIRA

### 4 Instalação

- Coloque o carrinho virado para cima, com a Pega pousada no chão.
- Coloque a Roda dianteira deslizando-a para o suporte da roda dianteira até fazer um clique. Puxe ligeiramente a Roda dianteira para garantir que está bem encaixada.

### 5 Remoção

- Pressionando o botão de desbloqueio da roda dianteira, deslize suavemente a Roda dianteira para fora do suporte da roda dianteira.

## FUNÇÃO DE ROTAÇÃO

- 6 Pressione o botão de Bloqueio de rotação para baixo e deslize o Bloqueio de rotação para a esquerda para bloquear o conjunto das rodas dianteiras em posição fixa, para um transporte de longa distância.
- 7 Pressione o botão de Bloqueio de rotação para baixo e deslize o Bloqueio de rotação para a direita para permitir a rotação do conjunto das rodas dianteiras.

- ⚠️ AVISO:** Quando colocar e retirar uma criança, bloqueie a roda dianteira em posição fixa. Embora a roda dianteira do seu carrinho fique bloqueada, este não pode ser utilizado para fazer jogging ou outros exercícios.

## RODAS TRASEIRAS

### 8 Instalação

- Alinhe o eixo das Rodas traseiras com o suporte das rodas na estrutura do carrinho e introduza-o no suporte das rodas até encaixar com um clique.
- Puxe ligeiramente a Roda traseira para garantir que está bem encaixada.

### 9 Remoção

- Pressionando o botão de desbloqueio da roda, deslize suavemente a Roda traseira para fora do suporte da roda.

## TRAVÃO

- 10 Para acionar o travão, aperte a alavanca do travão.
- 11 Para bloquear os travões de estacionamento: empurre suavemente a alavanca do travão para a frente até encaixar na devida posição.
- 12 Para desbloquear os travões: Puxe, na sua direção, o bloqueio do travão de estacionamento.

- ⚠️ AVISO:** Bloqueie os travões antes de colocar e retirar a criança e sempre que o carrinho não estiver em movimento.

- 13 Se as rodas traseiras não estiverem a travar juntas de forma uniforme, pode ajustar os travões do carrinho. Se a roda continuar a girar, inclusive enquanto está a travar, o travão correspondente deve ser apertado: Localize o ajuste no cubo da roda (A) com os travões soltos. Desaperte o anel curto (B) do travão para ajustar o anel do cilindro longo (C). Desaperte o anel do cilindro longo na direção oposta ao cubo da roda (A) para apertar o cabo. (Não aperte em excesso!) Para bloquear os anéis, aperte o anel curto (B) na direção do cubo da roda (A), enquanto mantém o anel do cilindro longo (C) na sua respetiva posição.

Aperte o travão de mão gradualmente para obter um melhor controlo do carrinho.

## ASSENTO - DESDOBRAR O ASSENTO

- 14 Segurando na zona dos pés e na parte superior do assento, abra o assento.
- 15 O assento será bloqueado na posição de aberto.

## CAPOTA

- 16 Fixe a capota à estrutura: Fixe os suportes da Capota aos lados da estrutura do assento.
- 17 Fixe as 2 tiras de fixação da capota à parte superior do assento.

## AJUSTAR O ARNÉS DE SEGURANÇA

- 18 A partir da traseira do assento, separe a tira de fixação e abra a bolsa para localizar o retentor quadrangular de plástico. Rode o retentor e passe através das aberturas da placa em PE e do tecido do assento.
- 19 Introduza novamente o retentor na abertura do assento o mais próximo possível dos ombros da criança. Volte a fazer passar pelo tecido do assento e placa em PE. Puxe a tira para assegurar que o retentor está bloqueado. Repita de ambos os lados.

**⚠️ AVISO:** Evite ferimentos graves resultantes de uma queda ou deslizamento para fora. Ajuste sempre bem e aperte o arnês de segurança.

**⚠️ AVISO:** Utilize sempre o cinto da zona da virilha em combinação com os cintos para ombros e cinto da cintura.

20 Faça deslizar o Acolchoado do arnês para cima para aceder à guia de plástico no cinto.

21 Segure na guia de plástico e puxe o cinto para apertar ou soltar.

#### UTILIZAR O ARNÊS DE SEGURANÇA

22 Introduza a fivela do cinto lateral na fivela do arnês de ambos os lados.

23 Introduza o arnês conectado e as fivelas do cinto lateral nos lados da fivela da zona da virilha.

24 Pressione o botão da fivela da zona da virilha para soltar.

#### COLOQUE O ASSENTO NA ESTRUTURA

25 Alinhe os Suportes de montagem de acessório com os suportes de montagem na estrutura do carrinho.

26 Faça deslizar o assento para os suportes até encaixar com um clique. Assegure que ambos os lados do assento estão firmemente fixos à estrutura antes de utilizar.

NOTA: O assento pode ser instalado virado para a frente ou virado para trás.

#### REMOVER O ASSENTO

27 Pressione as patilhas cinzentas nos Suportes de montagem e puxe para cima.

**⚠️ AVISO:** Retire sempre a criança do assento antes de remover o assento da estrutura.

#### RECLINAR O ASSENTO

28 Eleve a Alavanca para reclinar o assento localizada na parte superior do assento, por trás da capota.

29 Puxe para baixo para descer o assento e puxe para cima para elevar o assento até encaixar na devida posição com um clique.

#### AJUSTE DA ALTURA DA PEGA

30 Aperte o botão de ajuste da pega e faça deslizar a pega para cima ou para baixo, para o comprimento desejado.

#### ZONA DOS PÉS AJUSTÁVEL

31 Ajustar o ângulo: Pressione os Botões de ajuste na Zona dos pés e mova para cima ou para baixo até encaixar com um clique na posição desejada.

#### REMOÇÃO DO CESTO

32 Desaperte os sistemas de fixação superiores do Cesto que se encontram à volta da barra de suporte intermédia da estrutura. Em seguida, desaperte os sistemas de fixação inferiores que se encontram à volta das barras de suporte laterais da estrutura.

33 Desengate o arco de plástico frontal superior da parte de cima do punho de metal na frente da estrutura. Repita o procedimento do lado oposto.

#### DOBRAR

- Retire a criança do assento.
- O carrinho pode ser dobrado com ou sem o assento colocado com este virado para a frente ou para trás.
- Quando dobrar com o assento virado para trás, recomenda-se que o assento seja reclinado totalmente antes de dobrar.
- Recline sempre o assento para a sua posição mais vertical e posicione-o voltado para a frente para uma dobragem mais compacta.

34 Puxe a zona dos pés para cima e dobre o assento para cima.

35 Puxe as pegas de dobragem rápida para cima e deixe a estrutura dobrar-se. Empurre para baixo a estrutura do carrinho com o seu polegar para que seja mais fácil levantar as pegas de dobragem rápida. Certifique-se de que a alavanca de bloqueio de arrumo se encaixa na devida posição.

#### REMOVER O TECIDO DO ASSENTO

36 Solte o tecido do assento da estrutura do assento.

37 A partir da traseira do assento, desaperte o sistema de engate e faça deslizar a tira através do anel em D.

38 Pressione os botões de ajuste da zona dos pés e puxe para fora a zona dos pés para remover a barra da zona dos pés da estrutura do assento. Puxe o tecido do assento para fora do canal da barra da zona dos pés.

# CUIDADOS E MANUTENÇÃO

Para assegurar a longevidade do seu carrinho, é importante realizar alguma manutenção simples e regular. De tempos a tempos, certifique-se de que as juntas e áreas de dobragem ainda estão em boas condições. Se ouvir um ruído de chiar ou sentir resistência, lubrifique o carrinho numa oficina local de bicicletas. Todas as reparações apenas devem ser realizadas por um concessionário autorizado.

## LAVAGEM

### Tecido do assento

- Pode lavar o assento do carrinho na máquina de lavar com água fria e um detergente suave.
- Certifique-se de que remove a estrutura de metal e as placas em PE do assento antes de lavar.
- Não utilize solventes nem materiais cáusticos ou abrasivos.
- Para evitar um encolhimento, basta colocar o assento na estrutura para secar.
- Não passe a ferro nem lave a seco, não seque em máquina nem torça o tecido.
- Se as coberturas do assento tiverem de ser substituídas, utilize apenas peças de um Concessionário Autorizado da Baby Jogger. São as únicas testadas a nível de segurança e concebidas para se ajustarem a este assento.

### Peças em plástico/metal

- Limpe com sabão suave e água morna.
- Não pode remover, desmontar nem alterar qualquer peça do mecanismo de dobragem do assento ou travões.

### Conservação das rodas

- As rodas podem ser limpas com um pano húmido. Têm de ser totalmente secas com uma toalha ou pano macio.

## ARMAZENAMENTO

- A luz solar pode desbotar o tecido do assento e secar os pneus, por isso, deve armazenar o carrinho num espaço interior para manter o seu bom aspeto.
- NÃO armazene o carrinho num espaço exterior.
- Assegure que o carrinho está seco antes de o guardar durante períodos prolongados.
- Guarde sempre o carrinho em ambientes secos.
- Guarde o carrinho num local seguro quando não estiver a ser utilizado (ou seja, onde as crianças não possam brincar com o carrinho).
- NÃO coloque objetos pesados em cima do carrinho.
- NÃO guarde o carrinho próximo de uma fonte de calor direto, como um radiador ou fogueira.



# REGISTE O SEU CARRINHO ONLINE EM

## [www.babyjogger.com/register](http://www.babyjogger.com/register)

### Garantia de Vida Útil Limitada da Baby Jogger:

A Baby Jogger garante que a estrutura não apresenta defeitos de fabrico durante a vida útil do produto. Os defeitos do fabricante incluem, não exclusivamente, a rutura das soldas e danos no tubo da estrutura. Os materiais laterais têxteis e macios e todos os outros componentes terão a garantia de um ano a partir da data de compra (exceto os tubos e pneus). É necessária a prova de compra para uma reclamação de garantia e a garantia apenas se aplica ao comprador original.

### ESTA GARANTIA NÃO COBRE:

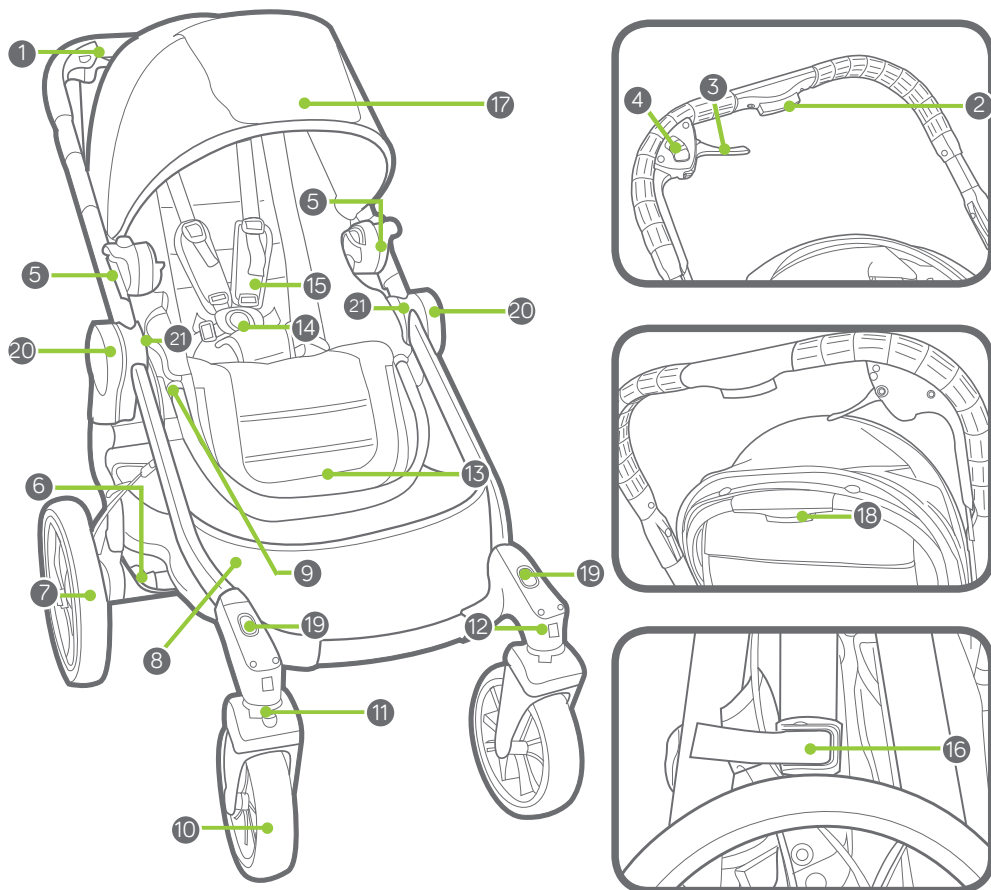
- O desgaste normal
- Corrosão e ferrugem
- Uma montagem incorreta ou a instalação de peças ou acessórios de terceiros incompatíveis com a conceção original
- Danos acidentais ou intencionais, abuso ou negligência ou utilização em escadas normais ou rolantes.
- Utilização comercial
- Armazenamento/conservação incorreta da unidade

Esta garantia exclui especificamente reclamações por danos indiretos, incidentais ou consequenciais. As garantias implicadas de comerciabilidade e adequação a uma finalidade específica aplicam-se ao período de garantia específico para esta unidade de modelo no momento de compra. Alguns países não permitem a exclusão ou limitação de danos incidentais ou consequenciais, por isso, as limitações ou exclusões acima indicadas podem não se aplicar ao seu caso. Esta garantia dá-lhe direitos legais específicos e outros países podem conceder-lhe outros direitos. Para saber quais são os seus direitos legais no seu país, consulte a sua agência de direitos do consumidor local ou nacional ou o seu Procurador Geral.

Se o seu carrinho tiver sido comprado fora dos EUA, contacte o distribuidor do país mais próximo. Pode obter as suas informações de contacto no nosso website em <http://www.babyjogger.com/retailers/#international>. Reclamações de garantia fora do país em que foi efetuada a compra do produto podem implicar taxas de envio.



NOTA: Quando contactar o distribuidor da Baby Jogger relativamente ao seu carrinho, indique prontamente o número de série e data de fabrico do seu carrinho. Encontra-se à direita do mecanismo de dobragem direito.



- |    |   |    |  |
|----|---|----|--|
| 1  | Mâner   | 12 | Buton de deblocare a roții din față                        |
| 2  | Buton de reglare a mânerului                  | 13 | Suport pentru picioare                                     |
| 3  | Maneta de frână                               | 14 | Închizătorul hamului                                       |
| 4  | Butonul de deblocare a frânelor de parcare    | 15 | Pernițele hamului  |
| 5  | Suport de fixare a scaunului                  | 16 | Maneta de blocare pentru depozitare                        |
| 6  | Buton de deblocare a roții din spate          | 17 | Copertină  |
| 7  | Roata din spate                               | 18 | Buton de înclinare a scaunului                             |
| 8  | Coș de depozitare                             | 19 | Orificii pentru fixarea adaptorului pentru al doilea scaun |
| 9  | Buton de reglare a suportului pentru picioare | 20 | Mânere pentru pliere rapidă                                |
| 10 | Roata din față                                | 21 | Orificii pentru fixarea accesoriilor                       |
| 11 | Dispozitiv pivotant/de blocare                |    |  |

# AVERTISMENT

**IMPORTANT** – Păstrați aceste instrucțiuni pentru a le consulta ulterior.  
Citiți cu atenție aceste instrucțiuni înainte de utilizare. Siguranța copilului dvs. poate fi pusă în pericol dacă nu respectați aceste instrucțiuni.

## CĂRUCIOR SIMPLU

- Acest cărucior este conceput pentru un singur copil.

**⚠️ AVERTISMENT** Acest scaun nu este adecvat pentru copii mai mici de 6 luni. Greutatea maximă este de 15 kg; înălțimea maximă este de 101,6 cm.

- Sarcina maximă totală recomandată pentru acest cărucior este de 26 kg. 15 kg pe scaun, 1 kg în buzunarul din spate al scaunului și 7 kg în coș.

**⚠️ AVERTISMENT**: Acest cărucior nu este adecvat pentru alergare sau mersul cu patinele cu roțile.

**⚠️ AVERTISMENT**: Nu lăsați niciodată copilul nesupravegheat.

**⚠️ AVERTISMENT**: Utilizați întotdeauna sistemul de dispozitive de fixare a copilului.

**⚠️ AVERTISMENT**: Înainte de utilizare, verificați dacă dispozitivele de prindere a landoului, a scaunului sau a scaunului de mașină sunt corect activate.

**⚠️ AVERTISMENT**: Pentru a evita accidentarea, asigurați-vă că copilul dvs. nu se află în apropiere atunci când depliați și pliați acest produs.

**⚠️ AVERTISMENT**: Înainte de utilizare, asigurați-vă că toate dispozitivele de blocare sunt activate.

**⚠️ AVERTISMENT**: Blocați frânele înainte de a pune și a scoate copilul din cărucior și ori de câte ori căruciorul nu se află în mișcare.

**⚠️ AVERTISMENT**: Nu îl lăsați pe copilul dvs. să se joace cu acest produs.

**⚠️ AVERTISMENT**: Pachetele sau accesoriile, sau ambele, amplasate pe ansamblul căruciorului pot cauza dezechilibrarea acestuia.

**⚠️ AVERTISMENT**: Orice sarcină atașată la mâner și/sau partea posterioară a spătarului și/sau părțile laterale ale vehiculului va afecta stabilitatea vehiculului.

- Acest scaun trebuie utilizat în poziția cea mai înclinată până când copilul poate sta în poziția șezut nesprrijinit, se poate rostogoli sau poate merge în patru labe.
- Căruciorul nu este destinat a fi utilizat pentru transportarea copiilor pe scări fixe sau rulante. Deteriorările aduse căruciorului nu vor fi acoperite de garanție.
- Acest cărucior nu înlocuiește patul sau pătuțul. În cazul în care copilul dvs. trebuie să doarmă, așezați-l într-un landou, pătuț sau pat adecvat.
- Accesoriile care nu sunt aprobate de Baby Jogger nu trebuie utilizate.
- Atenție la mașini – nu presupuneți niciodată că șoferul vă poate vedea pe dvs. și pe copilul dvs.
- Copilul trebuie să rămână așezat (nu în picioare) în cărucior.
- Folosiți numai piese de schimb furnizate sau aprobate de către Baby Jogger.

**CADRUL**

- 1 Scoateți cadrul căruciorului din cutie și puneți roțile deoparte. Deblocați căruciorul trăgând de maneta de blocare pentru depozitare.
  - 2 Ridicați mânerul îndepărtându-l de partea inferioară a cadrului. Căruciorul se va fixa pe poziție cu un clic.
  - 3 Așezați căruciorul în poziție verticală.
- ⚠️ AVERTISMENT:** Înainte de utilizare, asigurați-vă că toate dispozitivele de blocare sunt activate.

**ROATA DIN FAȚĂ****4 Instalare**

- Așezați căruciorul pe spate astfel încât mânerul să se sprijine pe podea.
- Atașați roata din față glisând-o în suportul de fixare a roții din față până când auziți un clic. Trageți ușor de roată pentru a vă asigura că aceasta este atașată corespunzător.

**5 Demontare**

- Țineți apăsat pe butonul de deblocare a roții din față și glisați ușor roata din față pentru a o scoate din suportul de fixare.

**FUNCȚIA DE PIVOTARE**

- 6 Apăsați pe butonul de blocare a dispozitivului pivotant și glisați dispozitivul pivotant la stânga pentru a bloca ansamblul roții din față în poziție fixă pentru deplasarea pe distanțe lungi.

- 7 Apăsați pe butonul de blocare a dispozitivului pivotant și glisați dispozitivul pivotant la dreapta pentru a permite ansamblului roții din față să pivoteze.

- ⚠️ AVERTISMENT:** Când așezați sau scoateți copilul din cărucior, blocați roata din față în poziție fixă. Deși roata din față se fixează pe poziție, căruciorul nu este destinat a fi utilizat pentru jogging sau exerciții fizice.

**ROȚILE DIN SPATE****8 Instalare**

- Aliniați axul roții din spate la suportul de fixare a roților amplasat pe cadrul căruciorului și introduceți-l în acesta până când se fixează pe poziție cu un clic.
- Trageți ușor de roata din spate pentru a vă asigura că aceasta este atașată corespunzător.

**9 Demontare**

- În timp ce țineți apăsat butonul de deblocare a roții, trageți ușor de roata din

spate pentru a o scoate din suportul de fixare.

**FRÂNA**

- 10 Pentru a cupla frâna, apăsați maneta de frână.

- 11 Pentru a bloca frânele de parcare: Împingeți ușor maneta de frână înainte până când se fixează pe poziție cu un clic.

- 12 Pentru a debloca frânele de parcare: Trageți butonul de deblocare a frânei de parcare spre dvs.

- ⚠️ AVERTISMENT:** Blocați frânele înainte de a pune și a scoate copilul din cărucior și ori de câte ori căruciorul nu se află în mișcare.

- 13 Dacă roțile din spate nu frânează uniform, puteți regla frânele căruciorului. Frâna roții care continuă să se rotească în momentul frânării trebuie strânsă: Poziționați dispozitivul de reglare pe butucul roții (A), frânele fiind degajate. Lărgiți inelul scurt al frânei (B) pentru a regla inelul cilindric lung (C). Deșurubați inelul cilindric lung de pe butucul roții (A) pentru a strânge cablul. (Vă rugăm să nu strângeți prea tare!) Pentru a bloca inelele, fixați inelul scurt (B) pe butucul roții (A) menținând inelul de cilindru lung (C) pe poziție. Apăsați treptat frâna de mână pentru a controla mai ușor căruciorul.

**SCAUN – DEPLIEREA SCAUNULUI**

- 14 Ținând de suportul pentru picioare și de partea superioară a scaunului, desfaceți scaunul.

- 15 Scaunul se va fixa în poziție deschisă.

**COPERTINA**

- 16 Atașați copertina pe cadru: Atașați suporturile copertinei pe părțile laterale ale cadrului scaunului.

- 17 Atașați cele 2 benzi de prindere de pe copertină pe partea superioară a scaunului.

**REGLAREA HAMULUI DE SIGURANȚĂ**

- 18 Desfaceți banda de prindere de pe spatele scaunului și deschideți buzunarul în care se află opritorul de plastic pătrat. Răsuciți-l și treceți-l prin fantele amplasate pe placa de polietilenă și pe husa scaunului.

- 19 Introduceți din nou opritorul prin fanta scaunului care se află cel mai aproape de umerii copilului. Treceți-l înapoi prin husa scaunului și prin placa de polietilenă.

Trageți de curea ca să vă asigurați că opritorul este blocat. Repetați această procedură pe ambele laturi.

**⚠️ AVERTISMENT:** Evitați rănirea gravă provocată de căderea sau alunecarea din cărucior. Reglați și prindeți întotdeauna în mod corespunzător hamul de siguranță.

**⚠️ AVERTISMENT:** Utilizați întotdeauna cureaua închizătorului bifurcat în combinație cu curelele de umăr și centura de siguranță de mijloc.

20 Glisați pernțele hamului în sus pentru a accesa ghidajul de plastic amplasat pe curea.

21 Țineți ghidajul de plastic și trageți de curea pentru a o strânge sau pentru a o slăbi.

#### UTILIZAREA HAMULUI DE SIGURANȚĂ

22 Introduceți închizătorul curelei laterale în închizătorul hamului pe ambele laturi.

23 Introduceți hamul conectat și închizătoarele curelelor laterale în părțile laterale ale închizătorului bifurcat.

24 Apăsați pe butonul închizătorului bifurcat pentru a-l debloca.

#### POZIȚIONAREA SCAUNULUI PE CADRU

25 Aliniați suporturile de fixare a accesoriilor la suporturile de fixare amplasate pe cadrul căruciorului.

26 Glisați scaunul în suporturi până când se fixează pe poziție cu un clic. Înainte de utilizare, asigurați-vă că ambele laturi ale scaunului sunt prinse în siguranță pe cadru.

NOTĂ: Scaunul poate fi instalat fie cu fața, fie cu spatele la direcția de mers.

#### SCOATEREA SCAUNULUI

27 Apăsați pe clapetele gri amplasate pe suporturile de prindere și trageți în sus.

**⚠️ AVERTISMENT:** Scoateți întotdeauna copilul din scaun înainte de a desprinde scaunul de pe cadru.

#### ÎNCLINAREA SCAUNULUI

28 Ridicați maneta de înclinare a scaunului aflată în partea superioară a scaunului, în spatele copertinei.

29 Apăsați pentru a coborî scaunul și trageți în sus pentru a ridica scaunul până când se fixează cu un clic în poziția dorită.

#### REGLAREA ÎNĂLȚIMII MÂNERULUI

30 Apăsați butonul de reglare a mânerului și glisați mânerul în sus sau în jos până obțineți lungimea dorită.

#### SUPORT REGLABIL PENTRU PICIOARE

31 Reglați unghiul: Apăsați pe butoanele de reglare amplasate pe suportul pentru picioare și deplasați-l în sus sau în jos până când se fixează cu un clic în poziția dorită.

#### DEMONTAREA COȘULUI

32 Desfaceți capsele din partea superioară a coșului amplasate în jurul barei de mijloc de susținere a cadrului. Apoi desfaceți capsele de jos amplasate în jurul barelor de susținere laterale ale cadrului.

33 Desprindeți buclele de plastic din partea superioară frontală pe deasupra butonului metalic amplasat în partea frontală a cadrului. Repetați procedura pe partea opusă.

#### PLIEREA

- Scoateți copilul din scaun.
- Căruciorul poate fi pliat cu sau fără scaunul atașat, fiind orientat fie cu fața, fie cu spatele la direcția de mers.
- Atunci când este pliat cu sau fără scaunul, se recomandă poziționarea scaunului în poziție complet înclinată înainte de plierea acestuia.
- Înclinați întotdeauna scaunul pentru a ajunge în poziție perfect verticală și poziționați-l cu fața la direcția de mers pentru a rămâne pliat în poziție perfect compactă.

34 Trageți în sus de suportul pentru picioare al scaunelor și pliați scaunul în sus.

35 Trageți în sus de mânerul pentru pliere rapidă și lăsați cadrul să coboare. Apăsați cu degetul mare pe cadrul căruciorului pentru a ridica mai ușor mânerul pentru pliere rapidă. Asigurați-vă că maneta de blocare pentru depozitare se fixează pe poziție cu un clic.

#### SCOATEREA HUSEI SCAUNULUI

36 Desprindeți husa de pe cadrul scaunului.

37 Din spatele scaunului, desfaceți banda velcro și treceți cureaua prin inelul D.

38 Apăsați butoanele de reglare a suportului pentru picioare și trageți-l înspre exterior pentru a scoate bara acestuia din cadrul scaunului. Scoateți husa scaunului de pe brațul barei suportului pentru picioare.

# ÎNGRIJIREA ȘI ÎNTREȚINEREA

Pentru a menține durata de viață a căruciorului dvs., este important să asigurați întreținerea simplă și regulată a acestuia. Asigurați-vă din când în când că îmbinările și zonele de pliere sunt încă în stare bună. Dacă auziți scârțâituri sau simțiți tensiune, puteți duce căruciorul la un atelier local de reparații pentru biciclete pentru a fi lubrifiat. Toate reparațiile vor fi efectuate exclusiv de un reprezentant autorizat.

## SPĂLAREA

### Husa scaunului

- Puteți spăla scaunul căruciorului în mașină de spălat, utilizând apă rece și un detergent delicat.
- Asigurați-vă că ați demontat cadrul de metal și plăcile de polietilenă de pe scaun înainte de a-l spăla.
- Nu utilizați solvenți sau materiale de curățare caustice sau abrazive.
- Pentru a minimiza posibilitatea strâmtării, reatașați scaunul pe cadru pentru a se usca.
- Nu călcați la presă sau cu fierul de călcat, nu curățați chimic, nu uscați prin centrifugare și nu stoarceți husa.
- Dacă husele scaunului trebuie înlocuite, folosiți numai piese de schimb achiziționate de la un reprezentant autorizat Baby Jogger. Acestea sunt singurele care prezintă garanția că au fost testate în ceea ce privește siguranța și că au fost concepute pentru a se potrivi cu scaunul.

### Piesele din plastic/metal

- Ștergeți cu o cârpă folosind un săpun delicat și apă caldă.
- Nu trebuie să scoateți, să demontați sau să modificați nicio piesă a mecanismului de pliere a scaunului sau a frânelor.

## Îngrijirea roților

- Roțile pot fi curățate folosind o cârpă umedă. Acestea trebuie uscate complet folosind un prosop sau o cârpă moale.

## DEPOZITAREA

- Expunerea la soare poate decolora husa scaunului și poate usca roțile, prin urmare, depozitarea căruciorului în interior va prelungi aspectul acestuia.
- NU depozitați căruciorul în exterior.
- Înainte de depozitarea căruciorului pe perioade lungi de timp, asigurați-vă că acesta este uscat.
- Depozitați întotdeauna căruciorul într-un mediu uscat.
- Atunci când nu utilizați căruciorul, depozitați-l într-un loc sigur (în care copiii nu se pot juca cu el).
- NU așezați obiecte grele pe cărucior.
- NU depozitați căruciorul lângă o sursă directă de căldură, precum un radiator sau foc deschis.

# ÎNREGISTRAȚI-VĂ CĂRUCIORUL ONLINE PE [www.babyjogger.com/register](http://www.babyjogger.com/register)

## Garanția pe viață limitată oferită de Baby Jogger:

Baby Jogger garantează faptul că nu există defecte de fabricație ale cadrului pe durata de viață a produsului. Defectele de fabricație includ, dar fără a se limita la, ruperea sudurilor și deteriorarea tuburilor cadrului. Pentru materialele moi sau textile și pentru toate celelalte componente se acordă o garanție de un an de la data achiziționării (cu excepția tuburilor și a pneurilor). Bonul de achiziție este necesar pentru a depune o cerere de garanție, garanția fiind oferită numai pentru cumpărătorul inițial.

## ACEASTĂ GARANȚIE NU ACOPERĂ:

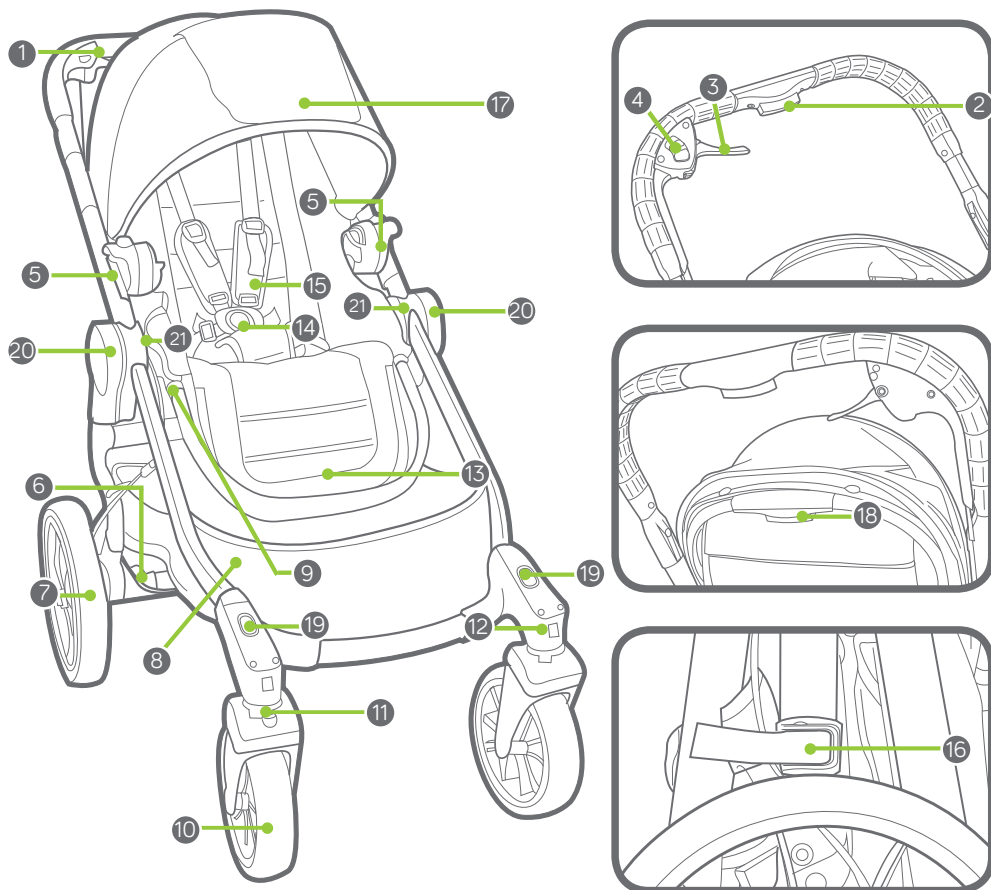
- Nivelul normal de uzură
- Coroziunea sau rugină
- Asamblarea incorectă sau instalarea de piese sau accesorii achiziționate de la terți, care nu sunt compatibile cu modelul original
- Deteriorările accidentale sau intenționate, abuzul sau neglijența sau utilizarea produsului pe scări fixe sau mobile.
- Utilizarea comercială
- Depozitarea/Îngrijirea necorespunzătoare a căruciorului

Prezența garanției exclude în mod expres cererile de daune indirecte, incidentale sau conexe. Garanțiile implicite privind vandabilitatea și adecvarea pentru un anumit scop se acordă în funcție de perioada de garanție specifică pentru acest model la data achiziției. Unele state nu permit excluderea sau limitarea daunelor incidentale sau conexe, astfel încât este posibil ca limitările sau excluderile de mai sus să nu se aplice în cazul dvs. Prezența garanției vă oferă drepturi legale specifice și puteți beneficia și de alte drepturi care diferă de la stat la stat. Pentru a vă cunoaște drepturile legale în statul dvs., adresați-vă oficiului local sau de stat pentru protecția consumatorilor sau biroului Procurorului General al statului dvs.

Dacă ați achiziționat căruciorul din afara Statelor Unite, vă rugăm să contactați distribuitorul din țara cea mai apropiată de dvs. Informațiile de contact pot fi găsite pe site-ul nostru web la adresa <http://www.babyjogger.com/retailers/#international>. Cererile de garanție din afara țării în care produsul a fost achiziționat pot include unele cheltuieli de transport.



NOTĂ: Atunci când contactați distribuitorul Baby Jogger în legătură cu căruciorul dvs., vă rugăm să aveți la îndemână numărul de serie al căruciorului și data fabricației. Acestea sunt specificate pe mecanismul de pliere din partea dreaptă.



- |    |  |    |   |
|----|--|----|---|
| 1  | Ручка                                    | 12 | Кнопка разблокировки переднего колеса             |
| 2  | Кнопка регулирования ручки               | 13 | Ниша для ног                                      |
| 3  | Рычаг тормоза                            | 14 | Пряжка ремней безопасности                        |
| 4  | Кнопка разблокировки стояночного тормоза | 15 | Подкладки ремней безопасности                     |
| 5  | Зажим для крепления сиденья              | 16 | Фиксатор для хранения                             |
| 6  | Кнопка разблокировки заднего колеса      | 17 | Балдахин  |
| 7  | Заднее колесо                            | 18 | Кнопка откидывания спинки                         |
| 8  | Корзина для покупок                      | 19 | Пазы для крепления переходника 2-го сиденья       |
| 9  | Кнопка регулирования ниши для ног        | 20 | Ручки для быстрого складывания                    |
| 10 | Переднее колесо                          | 21 | Пазы для крепления дополнительных принадлежностей |
| 11 | Фиксатор поворота                        |    |   |



# ВНИМАНИЕ

**ВНИМАНИЕ!** Сохраните эти инструкции для последующего использования. Внимательно ознакомьтесь с данными инструкциями перед использованием. Нарушение данных инструкций может сказаться на безопасности вашего ребенка.

## ОДНОМЕСТНАЯ ПРОГУЛОЧНАЯ КОЛЯСКА

- Сиденье данной прогулочной коляски рассчитано на одного ребенка.

**⚠ ПРЕДУРЕЖДЕНИЕ** Такое сиденье не подходит для детей в возрасте до 6 месяцев. Максимальный допустимый вес — 20 кг; максимальный рост — 101,6 см.

- Общая весовая нагрузка, рекомендуемая для такой коляски — 26 кг. 20 кг — на сиденье, 1 кг — на карман с обратной стороны сиденья и 7 кг — на корзину.

**⚠ ВНИМАНИЕ!** Данная прогулочная коляска не предназначена для интенсивных пробежек или катания на роликах.

**⚠ ВНИМАНИЕ!** Никогда не оставляйте своего ребенка без присмотра.

**⚠ ВНИМАНИЕ!** Всегда используйте систему ограничения подвижности.

**⚠ ВНИМАНИЕ!** Перед использованием проверяйте надежность зацепления устройств крепления люльки, сиденья или автомобильного кресла.

**⚠ ВНИМАНИЕ!** Чтобы не допустить травм, складывайте и раскладывайте изделие на безопасном расстоянии от ребенка.

**⚠ ВНИМАНИЕ!** Блокируйте тормоз, прежде чем поместить ребенка или извлечь его, а также, когда прогулочная коляска находится без движения.

**⚠ ВНИМАНИЕ!** Перед использованием убедитесь, что все блокирующие устройства зацеплены.

**⚠ ВНИМАНИЕ!** Не позволяйте своему ребенку играть с этим изделием.

**⚠ ВНИМАНИЕ!** Упаковки, дополнительные принадлежности или то и другое вместе, размещенные на изделии, могут привести к тому, что изделие станет нестабильным.

**⚠ ВНИМАНИЕ!** Любая нагрузка на ручку и/или спинку и/или на боковые части данного изделия снижает его устойчивость.

- Данное сиденье следует использовать в наиболее откинутаом положении, пока ребенок не научится садиться без посторонней помощи, переворачиваться или подниматься на руках и коленях.

- Прогулочная коляска не предназначена для транспортировки детей вверх или вниз по лестницам или эскалаторам. Повреждения коляски в результате таких действий не покрываются гарантией.

- Данная прогулочная коляска не заменяет люльку или кровать. Если вашему ребенку пора спать, уложите его в подходящую люльку, колыбель или кровать.

- Не следует использовать дополнительные принадлежности, не утвержденные компанией Baby Jogger.

- Следите за ситуацией на дороге — никогда не рассчитывайте, что водитель обязательно увидит вас и вашего ребенка.

- Пассажир должен оставаться в сидячем положении (не стоять в прогулочной коляске).

- Используйте только те запасные детали, которые поставляются или одобрены Baby Jogger.

**РАМА**

- 1 Извлеките раму прогулочной коляски из упаковки и отложите на время колеса. Разблокируйте прогулочную коляску, потянув рычаг фиксатора для хранения.
- 2 Поднимите ручку вверх от нижней части рамы. Коляска со щелчком примет правильное положение.

- 3 Поставьте коляску вертикально.

**⚠ ВНИМАНИЕ!** Перед использованием убедитесь, что все блокирующие устройства зацеплены.

**ПЕРЕДНЕЕ КОЛЕСО****4 Установка**

- Положите прогулочную коляску на заднюю сторону так, чтобы ручка находилась на полу.
- Прикрепите переднее колесо, вставив его в зажим для крепления переднего колеса так, чтобы раздался щелчок. Осторожно потяните переднее колесо, чтобы убедиться в том, что оно надежно прикреплено.

**5 Снятие**

- Нажимая на кнопку разблокирования переднего колеса, аккуратно вытяните переднее колесо из зажима для крепления переднего колеса.

**ПОВОРОТ КОЛЕСА**

- 6 Нажмите на кнопку блокирования поворота колеса и перетяните фиксатор поворота влево, чтобы заблокировать сборку переднего колеса в фиксированном положении для прогулок на дальние расстояния.

- 7 Нажмите кнопку блокирования поворота и перетяните фиксатор поворота вправо для свободного поворота сборки переднего колеса.

**⚠ ВНИМАНИЕ!** При помещении и извлечении ребенка передние колеса следует блокировать в фиксированном положении. Хотя поворот передних колес прогулочной коляски блокируется, она не рассчитана на пробежки или занятия физическими упражнениями.

**ЗАДНЕЕ КОЛЕСО****8 Установка**

- Выровняйте ось заднего колеса с зажимом для крепления колеса на раме прогулочной коляски и вставьте так, чтобы колесо со щелчком приняло правильное положение.
- Осторожно потяните заднее колесо, чтобы убедиться в том, что оно надежно прикреплено.

**9 Снятие**

- Нажимая на кнопку разблокирования колеса, аккуратно вытяните заднее

колесо из зажима для крепления колеса.

**ТОРМОЗ**

- 10 Чтобы привести в действие тормоз, нажмите на рычаг тормоза.

- 11 Чтобы заблокировать стояночный тормоз, осторожно толкните рычаг тормоза вперед, пока не услышите щелчок.

- 12 Чтобы разблокировать стояночный тормоз, потяните кнопку разблокировки стояночного тормоза к себе.

**⚠ ВНИМАНИЕ!** Блокируйте тормоз, прежде чем поместить ребенка или извлечь его, а также, когда прогулочная коляска находится без движения.

- 13 Если задние колеса не тормозят равномерно, можно отрегулировать тормоза коляски. Тормоз колеса, которое продолжает вращаться даже при торможении, должен быть затянут. Найдите регулятор на ступице колеса (А) с ослабленными тормозами. Ослабьте короткое кольцо тормоза (В), чтобы отрегулировать длинное цилиндрическое кольцо (С). Открутите длинное цилиндрическое кольцо дальше от ступицы колеса (А), чтобы затянуть кабель (при этом не затягивайте кабель слишком сильно). Чтобы зафиксировать кольца, притяните короткое кольцо (В) к ступице колеса (А), удерживая длинное кольцо цилиндра (С) на месте. Сжимайте ручной тормоз постепенно, чтобы добиться лучшего контроля над движением коляски.

**СИДЕНЬЕ — РАСКЛАДЫВАНИЕ СИДЕНЬЯ**

- 14 Держась за нишу для ног и верхнюю часть сиденья, разложите сиденье.

- 15 Сиденье зафиксировано в раскрытом положении.

**БАЛДАХИН**

- 16 Прикрепите балдахин к раме: прикрепите зажимы балдахина с обеих сторон к раме сиденья.

- 17 Прикрепите 2 полоски для крепления на балдахине к верхней части сиденья.

**РЕГУЛИРОВАНИЕ РЕМНЕЙ БЕЗОПАСНОСТИ**

- 18 С задней стороны сиденья отстегните полоски для крепления и откройте карман, чтобы найти квадратный пластиковый стопор. Поверните стопор и протяните через отверстия в пластиковой панели и ткани сиденья.

- 19 Снова вставьте стопор в отверстие в сиденье, расположенное ближе всего к плечам ребенка. Протяните назад через отверстия в ткани и пластиковой панели. Дерните ремень, чтобы убедиться в том, что он зафиксирован.

- Повторите действие с другой стороны.
- ⚠ ВНИМАНИЕ!** Не допускайте серьезных травм в результате падения или выскальзывания ребенка. Всегда надежно регулируйте и затягивайте ремни безопасности.
- ⚠ ВНИМАНИЕ!** Всегда используйте паховый ремень в сочетании с плечевыми ремнями и поясным ремнем.
- 20 Перетяните подкладки ремней безопасности, чтобы найти пластиковую направляющую деталь на ремне.
- 21 Возьмитесь за пластиковую направляющую деталь и потяните ремень, чтобы затянуть или ослабить.
- ИСПОЛЬЗОВАНИЕ РЕМНЕЙ БЕЗОПАСНОСТИ**
- 22 Вставьте пряжки боковых ремней в пряжку ремней безопасности с обеих сторон.
- 23 Вставьте пряжки совмещенных ремней безопасности и боковых ремней в пряжку пахового ремня с обеих сторон.
- 24 Нажмите кнопку на пряжке пахового ремня, чтобы освободить ремни.
- УСТАНОВКА СИДЕНЬЯ НА РАМУ**
- 25 Выровняйте зажимы для крепления дополнительных принадлежностей с зажимами для крепления на раме прогулочной коляски.
- 26 Установите сиденье в зажимы так, чтобы оно со щелчком зафиксировалось на своем месте. Перед использованием убедитесь, что сиденье по обе стороны надежно прикреплено к раме.
- ПРИМЕЧАНИЕ:** Сиденье можно устанавливать как обращенным вперед, так и обращенным назад.
- СНЯТИЕ СИДЕНЬЯ**
- 27 Нажмите на серые выступы на зажимах для крепления и потяните вверх.
- ⚠ ВНИМАНИЕ!** Всегда пересаживайте ребенка с сиденья, прежде чем снимать сиденье с рамы.
- ОТКИДЫВАНИЕ СПИНКИ**
- 28 Поднимите рычаг откидывания спинки, расположенный в верхней части сиденья за балдахином.
- 29 Потяните вниз, чтобы откинуть спинку сиденья, и вверх, чтобы поднять спинку, так, чтобы она приняла необходимое положение со щелчком.
- РЕГУЛИРОВАНИЕ ВЫСОТЫ РУЧКИ**
- 30 Нажмите на кнопку регулирования высоты ручки и потяните ручку вверх или вниз, установив требуемую высоту.
- РЕГУЛИРУЕМАЯ НИША ДЛЯ НОГ**
- 31 Регулирование угла: нажмите кнопки регулирования на нише и переместите

ее вверх или вниз так, чтобы она со щелчком приняла необходимое положение.

#### **СНЯТИЕ КОРЗИНЫ**

- 32 Отстегните кнопки на верхних захватах корзины вокруг средней несущей перекладки рамы. Затем отстегните кнопки на нижних захватах вокруг боковых перекладок рамы.
- 33 Снимите верхнюю переднюю пластиковую петлю с металлического выступа в передней части рамы. Повторите действие с противоположной стороны.

#### **СКЛАДЫВАНИЕ**

- Уберите ребенка с сиденья.
  - Прогулочную коляску можно складывать с установленным сиденьем или без него, а также с сиденьем обращенным вперед или назад.
  - При складывании коляски с сиденьем, обращенным назад, рекомендуется максимально откинуть сиденье перед складыванием.
  - Всегда откидывайте сиденье в крайнее вертикальное положение и устанавливайте его обращенным вперед, чтобы его можно было сложить самым компактным образом.
- 34 Вытяните нишу для ног и сложите сиденье вперед.
- 35 Потяните вверх ручки для быстрого складывания; рама сложится. Придавите раму коляски большим пальцем, чтобы облегчить подъем ручки для быстрого складывания. Убедитесь, что рычаг фиксатора для хранения принял правильное положение; при этом должен раздаться щелчок.

#### **СНЯТИЕ ЧЕХЛА СИДЕНЬЯ**

- 36 Отстегните чехол сиденья от рамы сиденья.
- 37 С задней стороны сиденья отстегните липучку и протяните ремень через D-образное кольцо.
- 38 Нажмите кнопки регулирования ниши для ног и вытяните нишу для ног, чтобы снять подножку с рамы сиденья. Вытяните чехол сиденья из паза в подножке ниши для ног.

# УХОД И ТЕХНИЧЕСКОЕ ОБСЛУЖИВАНИЕ

Чтобы прогулочная коляска прослужила дольше, важно выполнять простой регулярный уход. Периодически следует проверять, находятся ли соединения и места сгибов в хорошем рабочем состоянии. Если вы слышите скрип или чувствуете натяжение, можно отнести коляску в ближайший магазин велосипедов для смазки. Любые виды ремонта должны проводиться авторизованным дилером.

## СТИРКА

### Чехол сиденья

- Чехол сиденья прогулочной коляски можно стирать в стиральной машине в холодной воде, используя мягкодействующее моющее средство.
- Не забудьте снять металлическую раму и пластиковые панели перед стиркой.
- Не используйте растворители, каустические или абразивные чистящие средства.
- Чтобы минимизировать усадку, просто снова прикрепите чехол сиденья на раму для сушки.
- Не сушите под прессом, не гладьте, не подвергайте химической чистке, не сушите в стиральной машине и не выкручивайте материал.
- Если чехол сиденья необходимо заменить, используйте только изделия, поставляемые авторизованными дилерами компании Baby Jogger. Только на такие изделия предоставляется гарантия проведения испытаний на безопасность и соответствия габаритам сиденья.

### Пластиковые/металлические детали

- Протирайте, используя мягкодействующий мыльный раствор и теплую воду.

- Нельзя убирать, разбирать или видоизменять любую часть механизма складывания сиденья или тормозов.

### Уход за колесами

- Колеса можно очищать влажной тряпкой. Их необходимо полностью высушить мягким полотенцем или тряпкой.

### ХРАНЕНИЕ

- В результате воздействия солнечного света материал сиденья может выцвести, а крышки пересохнуть, поэтому хранение коляски в помещении позволяет дольше сохранить привлекательный внешний вид.
- НЕ храните на улице.
- Убедитесь, что коляска полностью высохла, прежде чем сложить ее для хранения на длительный период.
- Всегда храните коляску в сухом месте.
- Храните прогулочную коляску в безопасном месте, если она не используется (т.е. там, где дети не смогут с ней играть).
- НЕ ставьте тяжелые предметы на коляску.
- НЕ храните прогулочную коляску вблизи от прямых источников тепла, таких как обогреватель или огонь.

# ЗАРЕГИСТРИРУЙТЕ СВОЮ ПРОГУЛОЧНУЮ КОЛЯСКУ ОНЛАЙН ПО АДРЕСУ: [www.babyjogger.com/register](http://www.babyjogger.com/register)

Бессрочная гарантия с ограничениями компании Baby Jogger:

Компания Baby Jogger гарантирует на весь срок эксплуатации изделия, что рама не имеет производственных дефектов. Производственные дефекты включают, среди прочего, дефекты сварных конструкций и дефекты профиля рамы. На детали из текстиля или мягкой ткани, а также все другие компоненты предоставляется гарантия сроком на один год с даты покупки (за исключением профилей и шин). Для обращения с претензией по гарантии требуется доказательство покупки; гарантийные обязательства действительны только в отношении первоначального покупателя.

НАСТОЯЩАЯ ГАРАНТИЯ НЕ ПОКРЫВАЕТ:

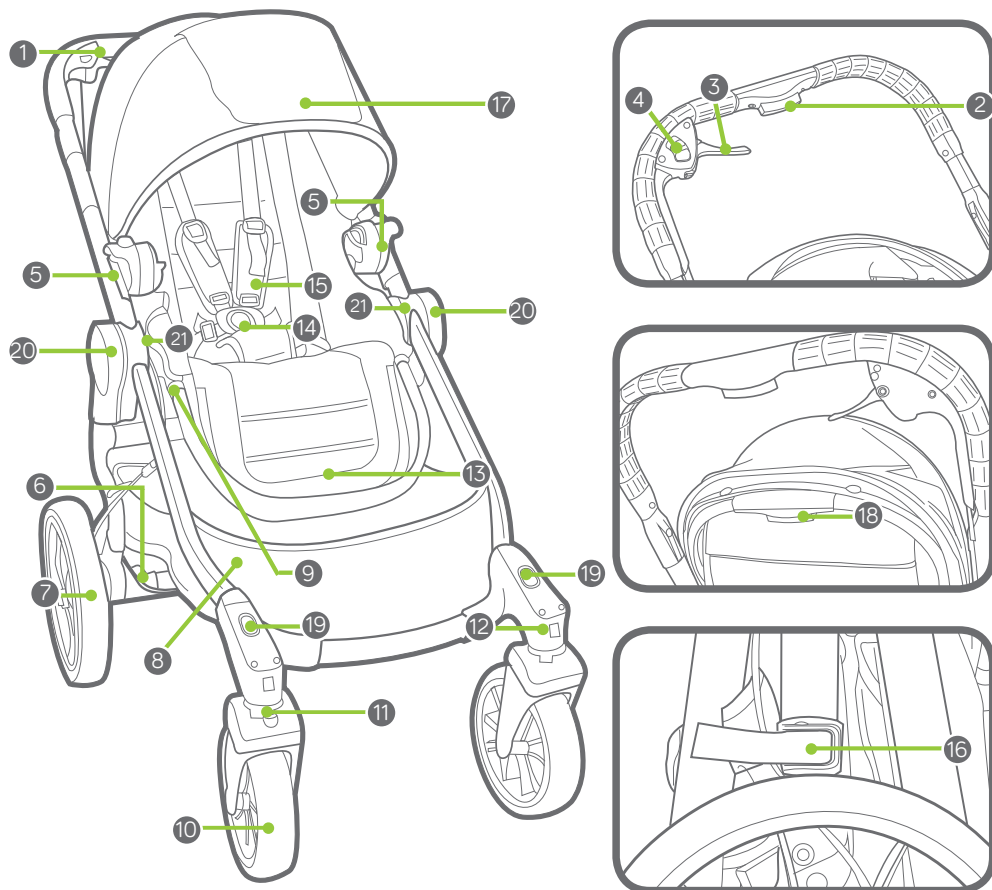
- Обычный износ
- Воздействие коррозии или образование ржавчины
- Неправильную сборку или установку третьими лицами деталей или принадлежностей, не совместимых с оригинальным дизайном
- Случайные или преднамеренные повреждения, неправильное использование или халатность, либо использование на лестницах или эскалаторах.
- Использование в коммерческих целях
- Неправильное хранение/уход за изделием

Настоящая гарантия определенно исключает любые претензии в связи с непрямыми, случайными или косвенными убытками. Подразумеваемые гарантии пригодности для продажи и пригодности для какой-либо конкретной цели соответствуют особому гарантийному периоду данной модели на дату продажи. В некоторых штатах не разрешается исключение или ограничение претензий в связи с непрямыми или косвенными убытками, поэтому указанные выше ограничения или исключения могут к вам не применяться. Настоящая гарантия предоставляет вам особые законные права. Вы также можете иметь другие права, которые могут отличаться в зависимости от штата. Чтобы узнать, какими законными правами вы можете воспользоваться в своем штате, обратитесь в местное представительство или представительство штата по защите прав потребителей или к генеральному прокурору своего штата.

Если прогулочная коляска была куплена за пределами Соединенных Штатов Америки, обратитесь к дистрибьютору в ближайшей стране. Контактную информацию можно найти на нашем веб-сайте по адресу: <http://www.babyjogger.com/retailers/#international>. Претензии по гарантии за пределами страны, где было приобретено изделие, могут повлечь расходы на транспортировку.



**ПРИМЕЧАНИЕ:** При обращении к дистрибьютору Baby Jogger по поводу прогулочной коляски, приготовьте серийный номер и дату производства. Такие сведения можно найти на механизме складывания справа.



- |    |                                      |    |   |
|----|--------------------------------------|----|---|
| 1  | Drška                                | 12 | Dugme za otpuštanje prednjih točkova              |
| 2  | Dugme za podešavanje drške           | 13 | Naslon za noge                                    |
| 3  | Ručica kočnice                       | 14 | Kopča pojasa                                      |
| 4  | Dugme za otpuštanje ručne kočnice    | 15 | Jastučići pojasa                                  |
| 5  | Držać za postavljanje sedišta        | 16 | Blokada za zatvaranje                             |
| 6  | Dugme za otpuštanje zadnjih točkova  | 17 | Tenda   |
| 7  | Zadnji točak                         | 18 | Dugme za spuštanje naslona sedišta                |
| 8  | Korpa za stvari                      | 19 | Prorezi za postavljanje adaptera za drugo sedište |
| 9  | Dugme za podešavanje naslona za noge | 20 | Ručke za brzo sklapanje                           |
| 10 | Prednji točak                        | 21 | Prorezi za postavljanje dodatne opreme            |
| 11 | Okretanje/blokada                    |    |   |

# UPOZORENJE

**VAŽNO** – Sačuvajte ova uputstva za buduću upotrebu.  
Pažljivo pročitajte ova uputstva pre upotrebe.  
Bezbednost vašeg deteta može biti ugrožena ako se ne pridržavate ovih uputstava.

## KOLICA ZA JEDNO DETE

- Ova kolica namenjena su za jedno dete.
- ⚠ **UPOZORENJE** Ova kolica nisu prikladna za decu mlađu od 6 meseci. Maksimalna težina je 15 kg; maksimalna visina je 101,6 cm.
- Ukupno opterećenje težine koje se preporučuje za ova kolica je 26 kg. 15 kg u sedištu, 1 kg u zadnjem džepu sedišta i 7 kg u korpi.
- ⚠ **UPOZORENJE:** Ova kolica nisu prikladna za trčanje ili rolanje.
- ⚠ **UPOZORENJE:** Nikad ne ostavljajte dete bez nadzora.
- ⚠ **UPOZORENJE:** Uvek koristite sistem za vezivanje.
- ⚠ **UPOZORENJE:** Pre upotrebe, proverite da li su dečja nosiljka, uređaji za pričvršćivanje sedišta ili auto-sedišta pravilno postavljeni.
- ⚠ **UPOZORENJE:** Da bi se izbegle povrede, dete ne sme da bude u blizini prilikom rasklapanja i sklapanja ovog proizvoda.
- ⚠ **UPOZORENJE:** Pre nego što stavite ili uzmete dete iz kolica i kad god kolica stoje u mestu, blokirajte kočnice.
- ⚠ **UPOZORENJE:** Pre upotrebe proverite da li su svi uređaji za blokadu zaključani.

- ⚠ **UPOZORENJE:** Ne dozvolite detetu da se igra sa ovim proizvodom.
- ⚠ **UPOZORENJE:** Ako se paketi ili dodatna oprema, ili oboje stave na kolica, kolica mogu biti nestabilna.
- ⚠ **UPOZORENJE:** Bilo koji teret koji postavite na ručku i/ili na zadnji deo naslona i/ili sa bočne strane kolica može da utiče na njihovu stabilnost.
- Ovo sedište treba koristiti u maksimalno nagnutom položaju sve dok dete ne bude moglo samostalno da sedi, da se prevrće ili podiže na ruke i kolena.
- Kolica nisu namenjena za prevoz dece uz ili niz stepenice ili pokretne stepenice. Garancija neće pokriti štetu nastalu na kolicima.
- Ova kolica nisu zamena za krevetac ili krevet. Ako dete treba da spava, onda ga treba staviti u odgovarajuću nosiljku, krevetac ili krevet.
- Ne sme se upotrebljavati dodatna oprema koju nije odobrila kompanija Baby Jogger.
- Pazite na automobile – nemojte nikad da pretpostavljate da vozač može da vidi vas i vaše dete.
- Dete u kolicima mora da sedi (nije dozvoljeno stajanje u kolicima).
- Koristite samo one rezervne delove koje isporučuje Baby Jogger ili ih je odobrio.

## RAM

- 1 Izvadite ram kolica iz kutije i stavite točkove na stranu. Otključajte kolica povlačenjem ručice za zatvaranje kolica
  - 2 Podignite dršku dalje od donjeg rama. Kolica će škljocnuti u položaj.
  - 3 Stavite kolica u uspravan položaj.
- ⚠ UPOZORENJE:** Pre upotrebe proverite da li su svi uređaji za blokadu zaključani.

## PREDNJI TOČAK

## 4 Postavljanje

- Položite kolica od pozadi tako da drška leži na podu.
- Pričvrstite prednji točak tako što ćete ga staviti u okvir prednjeg točka sve dok ne škljocne. Polako povucite prednji točak kako biste proverili da li je pravilno pričvršćen.

## 5 Skidanje

- Dok pritiskate dugme za otpuštanje prednjeg točka, polako izvucite prednji točak iz okvira prednjeg točka.

## FUNKCIJA ZA OKRETANJE

- 6 Pritisnite dugme za blokadu okretanja i pomerite blokadu okretanja ulevo da biste blokirali prednje točkove u fiksni položaj za vožnju kolicima na duže distance.

- 7 Pritisnite dugme za blokadu okretanja i pomerite blokadu okretanja udesno da bi se prednji točkovi mogli okretati.

- ⚠ UPOZORENJE:** Dok stavljate ili uzimate dete iz kolica, blokirajte prednje točkove u fiksni položaj. Iako se prednji točkovi kolica blokiraju, kolica nisu namenjena za džoging ili vežbanje.

## ZADNJI TOČKOVI

## 8 Postavljanje

- Poravnajte osovину zadnjeg točka sa okvirom točka na ramu kolica i ubacite ga u okvir točka dok ne škljocne u položaj.
- Blago povucite zadnji točak kako biste se uverili da je pravilno pričvršćen.

## 9 Skidanje

- Dok pritiskate dugme za otpuštanje točka, polako izvucite zadnji točak iz okvira točka.

## KOČNICA

- 10 Za aktiviranje kočnice pritisnite ručicu kočnice.

- 11 Blokiranje ručnih kočnica: Polako gurnite ručicu kočnice prema napred dok ne škljocne u mesto.

- 12 Otpuštanje ručnih kočnica: Povucite dugme za otpuštanje ručne kočnice prema sebi.

- ⚠ UPOZORENJE:** Pre nego što stavite ili uzmete dete iz kolica i kad god kolica stoje u mestu, blokirajte kočnice.

- 13 Ako zadnji točkovi ne koče podjednako možda treba da podesite kočnice kolica. Treba zategnuti kočnicu točka koji se okreće čak i pri kočenju: Pronađite podešivač na glavčini točka (A) na kojem su olabavljene kočnice. Olabavite kratki prsten kočnice (B) kako biste podesili dugački cilindrični prsten (C). Dodatno odvrnite dugački cilindrični prsten s glavčine točka (A) kako biste zategli kabal. (Nemojte previše da zategnete!) Da biste uglavili prstenove, zategnite kratki prsten (B) uz glavčinu točka (A) dok držite dugački cilindrični prsten (C) u mestu. Pritiskajte ručnu kočnicu postepeno kako biste imali bolju kontrolu nad kolicima.

## SEDIŠTE – RASKLAPANJE SEDIŠTA

- 14 Otvorite sedište dok držite naslon za noge i vrh sedišta.

- 15 Sedište će se uglaviti u svoj otvoreni položaj.

## TENDA

- 16 Pričvršćivanje tende za ram: Pričvrstite držače tende za krajeve rama sedišta.

- 17 Pričvrstite 2 trake za vezivanje na tendi za vrh sedišta.

## PODEŠAVANJE SIGURNOSNOG POJASA

- 18 Sa zadnje strane sedišta, odvežite trake za vezivanje i otvorite džep kako biste našli plastični četvrtasti stoper. Okrenite stoper i provucite kroz otvore u PE naslonu i tkanini sedišta.

- 19 Ponovo stavite stoper u prerez sedišta koji je najbliži detetovim ramenima. Provacite od pozadi kroz tkaninu sedišta i PE naslon. Povucite traku kako biste se uverili da je stoper zaključan. Ponovite postupak na obe strane.

- ⚠ UPOZORENJE:** Izbegavajte ozbiljne ozlede od pada ili iskliznuća. Uvek pravilno namestite i zavežite sigurnosni pojas.



- ▲ UPOZORENJE:** Uvek koristite pojas za prepone zajedno sa pojasevima za ramena i pojansom oko struka.
- 20 Podignite jastučice pojasa kako biste imali pristup plastičnoj vodiči na traci.
- 21 Za zatezanje ili otpuštanje držite plastičnu vodiču i povucite traku.

#### UPOTREBA SIGURNOSNOG POJASA

- 22 Uvucite bočnu kopču trake u kopču pojasa s obe strane.
- 23 Uvucite povezane kopče pojasa i bočnih traka u krajeve kopče na preponama.
- 24 Za otpuštanje pritisnite dugme na kopči na preponama.

#### POSTAVLJANJE SEDIŠTA NA RAM

- 25 Poravnajte držače za postavljanje dodatne opreme sa držačima na ramu kolica.
- 26 Uvucite sedišta u podupirače dok ne škljocne u položaj. Pre upotrebe proverite da li su obe strane sedišta čvrsto pričvršćene za ram.

**NAPOMENA:** Sedište se može postaviti tako da je okrenuto napred ili unazad.

#### SKIDANJE SEDIŠTA

- 27 Pritisnite sive jezičke na držačima za postavljanje i povucite prema gore.

- ▲ UPOZORENJE:** Uvek izvadite dete iz sedišta pre nego što skinete sedišta iz rama kolica.

#### SPUŠTANJE NASLONA SEDIŠTA

- 28 Podignite ručku za spuštanje naslona sedišta koja se nalazi na vrhu sedišta, iza tende.
- 29 Pritisnite prema dole kako biste spustili sedišta i povucite prema gore kako biste podigli sedišta sve dok ne škljocne u željeni položaj.

#### PODEŠAVANJE VISINE DRŠKE

- 30 Pritisnite dugme za podešavanje drške i povlačite dršku gore ili dole do željene dužine.

#### PODESIVI NASLON ZA NOGE

- 31 Podesite ugao: Pritisnite dugmad za podešavanje na naslonu za noge i pomerajte gore ili dole sve dok ne škljocne u željeni položaj.

#### SKIDANJE KORPE

- 32 Odvojite gornje čičak trake na korpi oko srednje šipke za potporu rama. Zatim

odvojite donje čičak trake oko bočnih šipki za potporu rama.

- 33 Otkočite gornju, prednju plastičnu petlju sa metalnog dugmeta na prednjoj strani rama. Ponovite postupak na suprotnoj strani.

#### SKLAPANJE

- Izvadite dete iz sedišta.
  - Kolica se mogu sklopiti sa pričvršćenim sedištem ili bez njega, i mogu biti okrenuta napred ili nazad.
  - Kada se sklapaju kolica okrenuta unazad, preporučuje se da sedišta bude potpuno spušteno pre sklapanja.
  - Uvek spustite sedišta u potpuno uspravan položaj i stavite ga okrenuto napred kako bi se što kompaktnije sklopilo.
- 34 Povucite prema gore oslonac za noge i sklopite sedišta na gore.
- 35 Povucite ručke za brzo sklapanje i pustite da se ram preklopi. Palcem pritisnite ram kolica kako biste lakše podigli ručke za brzo sklapanje. Uverite se da je ručka za zatvaranje kolica škljocnula u mesto.

#### SKIDANJE TKANINE SEDIŠTA

- 36 Odvojite tkaninu sedišta sa rama sedišta.
- 37 Sa zadnje strane sedišta, skinite kukice i petlje i provucite traku kroz D-prsten.
- 38 Pritisnite dugmad za podešavanje oslonca za noge i povucite oslonac za noge dalje od sebe kako biste skinuli šipku oslonca za noge sa rama sedišta. Izvucite tkaninu sedišta iz žljeba u šipki oslonca za noge.

# ČUVANJE I ODRŽAVANJE

Da biste održali dugi vek kolica, važno je da obavljate jednostavno, redovno održavanje. Povremeno proveravajte da li su zglobovi i mesta za sklapanje i dalje u dobrom stanju. Ako čujete škripanje ili osetite otpor, kolica možete odneti u obližnju prodavnicu kolica radi dodatnog podmazivanja. Samo ovlašćeni prodavac sme obavljati sve popravke.

## PRANJE

### Tkanina sedišta

- Sedište kolica možete prati u mašini za pranje u hladnoj vodi sa blagim deterdžentom.
- Vodite računa da pre pranja skinete metalni ram i PE daske sa sedišta.
- Ne upotrebljavajte rastvore, kaustična ili abrazivna sredstva za čišćenje.
- Da biste smanjili skupljanje, jednostavno ponovo pričvrstite sedište za ram radi sušenja.
- Nemojte tkaninu peglati, hemijski čistiti, sušiti u mašini za sušenje niti cediti.
- Ako je potrebno navlaku sedišta zameniti, koristite samo delove prodavca koga je ovlastila kompanija Baby Jogger. Oni su jedini koji mogu garantovati da je navlaka testirana za bezbednost i dizajnirana da odgovara ovom sedištu.

### Plastični/metalni delovi

- Očistite blagim sapunom i toplom vodom.
- Ne smete skidati, rastavljati ili menjati bilo koji deo mehanizma za sklapanje sedišta ili kočnice.

### Čišćenje točkova

- Točkovi se mogu čistiti vlažnom krpom. Treba ih potpuno osušiti mekim peškirom ili krpom.

## ČUVANJE

- Sunčeva svetlost može da izbledi tkaninu sedišta ili da osuši gume, stoga će čuvanje kolica u zatvorenom prostoru produžiti dobar izgled kolica.
- NE čuvajte kolica napolju.
- Proverite da li su kolica suva pre nego ih ostavite da stoje duže vreme.
- Uvek čuvajte kolica na suvom mestu.
- Čuvajte kolica na bezbednom mestu kada se ne koriste (npr. tamo gde se deca ne mogu igrati s njima).
- NEMOJTE stavljati teške predmete na kolica.
- NEMOJTE čuvati kolica blizu direktnog izvora toplote kao što su radijatori ili vatra.

# REGISTRUJTE SVOJA KOLICA NA INTERNETU NA [www.babyjogger.com/register](http://www.babyjogger.com/register)

## Ograničena garancija kompanije Baby Jogger:

Kompanija Baby Jogger garantuje da okvir kolica nema nikakvih defekata u proizvodnji tokom radnog veka proizvoda. Defekti nastali proizvođačevom greškom uključuju ali se ne ograničavaju na prelom zavarenih delova i oštećenja cevi rama kolica. Tekstil ili mekani materijali na šavovima i svi drugi delovi imaju garanciju jednu godinu od datuma kupovine (osim cevi i guma). Za reklamacije na garanciju potrebna je potvrda o kupovini, a garancija se daje samo originalnom kupcu.

## OVA GARANCIJA NE POKRIVA:

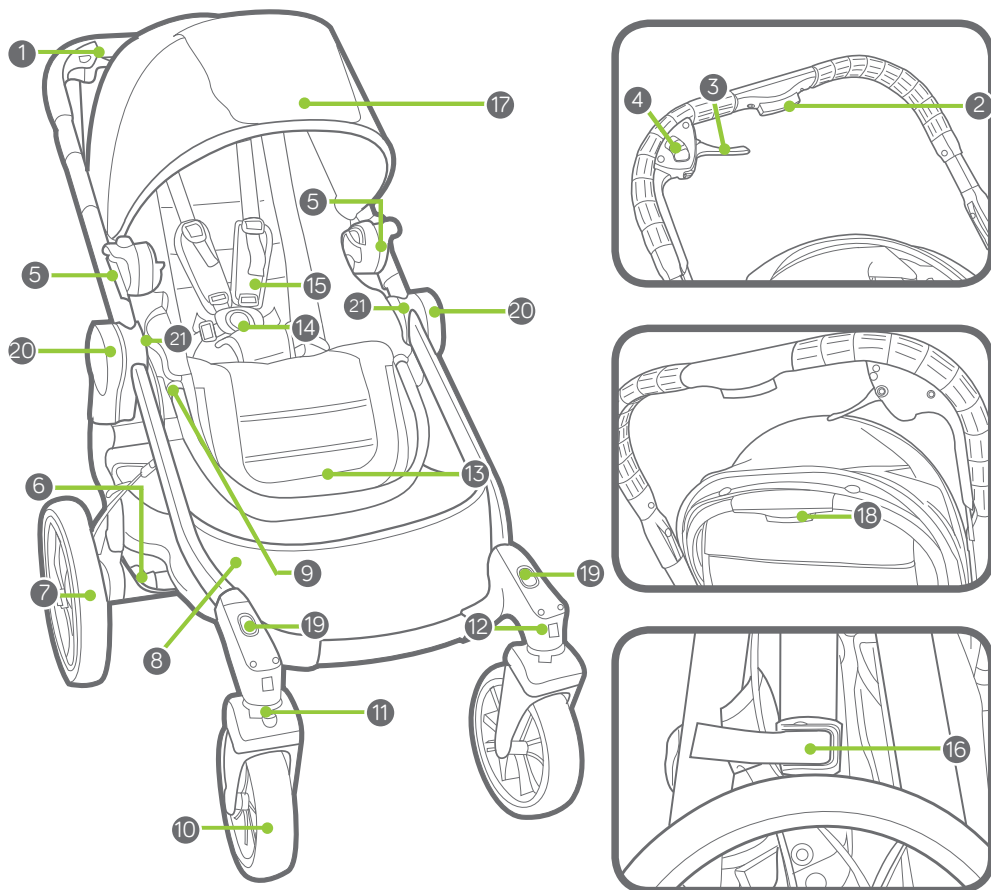
- standardno trošenje i habanje
- koroziju ili rđu
- nepravilno sklapanje ili postavljanje delova ili dodatnog pribora trećih strana koji nisu u skladu s originalnim dizajnom
- slučajno ili namerno oštećenje, zloupotrebu ili nehat, ili upotrebu na stepenicama ili pokretnim stepenicama.
- upotrebu u komercijalne svrhe
- nepravilno skladištenje / održavanje kolica

Ova garancija posebno isključuje potraživanja za indirektnu, slučajnu ili posledičnu štetu. Podrazumevana garancija o mogućnosti prodaje i pogodnosti za određenu upotrebu u skladu je sa određenim garantnim rokom za ovaj model kolica u vreme kupovine. Neke države ne dozvoljavaju isključenja ili ograničenja slučajne ili posledične štete, te gore navedena ograničenja ili isključenja se možda ne primenjuju na vas. Ova garancija vam daje određena zakonska prava, a vi možda takođe imate druga prava koja se razlikuju od države do države. Da biste saznali koja su vaša zakonska prava u vašoj državi, obratite se lokalnoj ili državnoj službi za potrošače ili državnom pravobraniocu vaše države.

Ako ste kupili kolica izvan Sjedinjenih Američkih Država, obratite se distributeru u zemlji u vašoj blizini. Njihove kontakt informacije mogu se naći na našoj web-stranici na <http://www.babyjogger.com/retailers/#international>. Potraživanja po osnovu garancije izvan zemlje u kojoj je ovaj proizvod kupljen mogu uključivati troškove prevoza.



**NAPOMENA:** Kada budete kontaktirali distributera kompanije Baby Jogger u vezi vaših kolica, imajte pri ruci serijski broj kolica i datum proizvodnje. Ti podaci se mogu naći na mehanizmu za sklapanje na desnoj strani.



- |   |   |
|---|---|
| 1 Rukoväť                                   | 12 Tlačidlo na odistenie predného kolieska  |
| 2 Tlačidlo na nastavenie rukoväte           | 13 Priestor pre nohy                        |
| 3 Brzdová páka                              | 14 Pracka postroja                          |
| 4 Uvoľňovacie tlačidlo parkovacej brzdy     | 15 Výstelky postroja                        |
| 5 Montážna svorka sedadla                   | 16 Skladovacia poistka                      |
| 6 Tlačidlo na odistenie zadného kolieska    | 17 Strieška                                 |
| 7 Zadné koliesko                            | 18 Tlačidlo na zaklápanie sedadla           |
| 8 Úložný košík                              | 19 Štrbiny na montáž adaptéra na 2. sedačku |
| 9 Tlačidlo na nastavenie priestoru pre nohy | 20 Páčky na rýchle zloženie                 |
| 10 Predné koliesko                          | 21 Doplnkové montážne sloty                 |
| 11 Otáčanie/Poistka                         |   |

# UPOZORNENIE

**DÔLEŽITÉ** – Tento návod uschovajte pre budúce použitie.

Pred použitím si pozorne prečítajte tento návod. Ak nebudete dodržiavať tieto pokyny, môže to mať vplyv na bezpečnosť vášho dieťaťa.

## KOČÍK PRE JEDNO DIEŤA

- Tento kočík je pre jedného pasažiera.

- ⚠ **VAROVANIE** Táto sedačka nie je vhodná pre deti mladšie než 6 mesiacov. Maximálna hmotnosť je 15 kg, maximálna výška je 101,6 cm.
- Celková hmotnosť nákladu odporúčaná pre tento kočík je 26 kg. 15 kg na sedačke, 1 kg vo vrecku na zadnej strane sedačky a 7 kg v košíku.
- ⚠ **UPOZORNENIE:** Tento kočík nie je vhodný pre beh alebo kolieskové korčule.
- ⚠ **UPOZORNENIE:** Nikdy nenechávajte dieťa bez dozoru.
- ⚠ **UPOZORNENIE:** Vždy používajte zadržiavací systém.
- ⚠ **UPOZORNENIE:** Pred použitím sa ubezpečte, že sú rám kočíka, alebo prípojné sedadlo, alebo prípojná autosedačka správne zasunuté.
- ⚠ **UPOZORNENIE:** Aby nedošlo k poraneniu, ubezpečte sa, že vaše dieťa nie je blízko vás, keď skladáte alebo rozkladáte tento produkt.
- ⚠ **UPOZORNENIE:** Zaisťte brzdy pred vkladáním a vykladáním vášho dieťaťa do a z kočíka a tiež vždy keď kočík nie je v pohybe.
- ⚠ **UPOZORNENIE:** Ubezpečte sa, že sú pred použitím zapojené všetky poistné zariadenia.

- ⚠ **UPOZORNENIE:** Nedovoľte vášmu dieťaťu, aby sa s týmto produktom hralo.
- ⚠ **UPOZORNENIE:** Balíčky, alebo doplnkové predmety, alebo oboje, umiestnené na toto zariadenie môžu spôsobiť jeho nestabilitu.
- ⚠ **UPOZORNENIE:** Akákoľvek záťaž na držadle alebo na zadnej strane sedačky, prípadne po stranách vozidla, bude mať vplyv na stabilitu vozidla.
- Toto sedadlo sa má používať v úplne zaklopenej polohe až kým dieťa nie je schopné bez pomoci sedieť, prevaliť sa, alebo zdvihnúť sa na ruky a kolena.
- Kočík nie je určený na prepravu detí hore alebo dole schodmi alebo eskalátormi. Takto vzniknuté poškodenie na kočíku nebude kryté zárukou.
- Tento kočík nenahrádza lehátko ani posteľ. Ak vaše dieťa potrebuje spať, malo by byť uložené do vhodného kočíka, lehátko, alebo postele.
- Doplnky, ktoré nie sú schválené značkou Baby Jogger sa nemajú používať.
- Dávajte si pozor na autá – nikdy nepredpokladajte, že šofér vidí vás alebo vaše dieťa.
- Pasažier zostane sedieť (nie stáť v kočíku).
- Používajte len náhradné diely dodávané alebo schválené Baby Jogger.

## RÁM

1 Vybalte rám kočíka z krabice a kolieska odložte nabok. Odistite kočik tak, že potiahnete skladovaciú poistnú páčku.

2 Nadvihnite rukoväť smerom od spodnej časti rámu. Kočík zapadne na svoje miesto.

3 Umiestnite kočik do vzpriamenej polohy.

**⚠ UPOZORNENIE:** Ubezpečte sa, že sú pred použitím zapojené všetky poistné zariadenia.

## PREDNÉ KOLIESKO

4 Inštalácia

- Plozte kočik na zadnú časť tak, aby bola rukoväť opretá o zem.
- Pripevnite predné koliesko tak, že ho vsuniete do objímky predného kolieska až kým kliknutím nezapadne. Predné koliesko jemne potiahnite, aby ste sa ubezpečili, že je riadne pripevnené.

5 Odpojenie

- Stlačte tlačidlo na odistenie predného kolieska a zároveň jemne vyťahnite predné koliesko z objímky predného kolieska.

## FUNKCIA OTÁČANIA

6 Potlačte nadol tlačidlo poistky otáčania a posuňte poistku otáčania doľava, aby ste zaistili súpravu predného kolieska do fixnej polohy pre dlhé prechádzky.

7 Potlačte nadol tlačidlo poistky otáčania a posuňte poistku otáčania doprava, aby sa mohla súprava predného kolieska otáčať.

**⚠ UPOZORNENIE:** Pri vkladaní a vyberaní dieťaťa do a z kočíka zaistite predné koliesko do fixnej polohy. Aj keď je predné koliesko vášho kočíka zaistené, kočik nie je určený pre účely behania alebo cvičenia.

## ZADNÉ KOLIESKA

8 Inštalácia

- Zarovnajte nápravu zadných koliesok s objímkou koliesok na ráme kočíka a zasuňte ju do objímky koliesok až kým kliknutím nezadapadne na miesto.
- Zadné koliesko jemne potiahnite, aby ste sa ubezpečili, že je riadne pripevnené.

9 Odpojenie

- Stlačte tlačidlo na odistenie predného kolieska a zároveň jemne vyťahnite predné koliesko z objímky predného kolieska.

## BRZDA

10 Keď chcete zabrzdiť, použite brzdovú páku.

11 Zamknutie parkovacích brzd: Jemne potlačte brzdovú páku dopredu, kým nezacvakne na miesto.

12 Uvoľnenie parkovacích brzd: Uvoľňovacie tlačidlo parkovacej brzdy potiahnite k sebe.

**⚠ UPOZORNENIE:** Zaistite brzdy pred vkladáním a vykladáním vášho dieťaťa do a z kočíka a tiež vždy keď kočik nie je v pohybe.

13 Ak zadné brzdy nebrzdia spoločne a rovnomerne, brzdy na kočíku môžete upraviť. Je potrebné utiahnuť koleso, ktoré sa naďalej otáča počas brzdenia: Nájdite regulátor na náboji kolesa (A) s uvoľnenými brzdami. Uvoľnite krátky krúžok brzdy (B), aby sa dal upraviť dlhý valcový krúžok (C). Dlhý valcový krúžok odkrúťte ďalej od náboja kolesa (A), aby sa dal utiahnuť kábel. (Neuťahujte príliš!) Keď chcete krúžky zaistiť, utiahnite krátky krúžok (B) k náboju kolesa (A), pričom dlhý valcový krúžok (C) držte na mieste.

Ručnú brzdu postupne stláčajte, aby ste mali lepšiu kontrolu nad kočíkom.

## SEADLO – ROZKLADANIE SEDADLA

14 Pridržte priestor pre nohy a hornú časť sedadla a otvorte sedadlo.

15 Sedadlo sa uzamkne do svojej otvorenej polohy.

## STRIEŠKA

16 Pripevnite striešku na rám: Pripevnite svorky striešky na bočné strany rámu sedadla.

17 Dva upínacie pásiky na strieške pripevnite k vrchu sedačky.

## NASTAVENIE BEZPEČNOSTNÉHO POSTROJA

18 Na zadnej časti sedadla uvoľnite uťahovací prúžok, otvorte vrecko a nájdite plastovú štvorcovú zarážku. Otočte zarážku a prevlečte ju cez otvory na PE paneli a látke sedadla.

19 Vložte zarážku do otvoru sedadla, ktorý je najbližšie k ramenám dieťaťa. Potlačte dozadu cez látku a PE panel sedadla. Potiahnite popruh, aby ste sa ubezpečili, že zarážka je zaistená. Zopakujte na oboch stranách.

**⚠ UPOZORNENIE:** Zabráňte vážnemu zraneniu v dôsledku pádu alebo vyklznutia. Vždy riadne nastavte a utiahnite bezpečnostný postroj.

**⚠ UPOZORNENIE:** Vždy používajte rozkrokový popruh spolu s ramennými popruhmi a driekovým pásom.

20 Posuňte výstelky postroja až k plastovým vodičkam na popruhu.

21 Pridržte plastové vodičko a potiahnite popruh, aby ste ho utiahli alebo povolili.

#### POUŽITIE BEZPEČNOSTNÉHO POSTROJA

22 Vložte na oboch stranách pracku bočného popruhu do pracky postroja.

23 Vložte spojené pracky bočných popruhov a postroja do bočných strán rozkrokovej pracky.

24 Stlačte tlačidlo na rozkrokovej pracke a uvoľnite.

#### UMIESTNITE SEDADLO NA RÁM

25 Zarovnajte doplnkové montážne svorky s montážnymi svorkami na ráme kočíka.

26 Posuňte sedadlo do svoriek až kým kliknutím nezapadne na miesto. Pred použitím sa ubezpečte, že sú obe strany sedadla bezpečne pripevnené k rámu.

**POZNÁMKA:** Sedadlo môže byť nainštalované v smere alebo proti smeru jazdy.

#### ODPOJENIE SEDADLA

27 Stlačte šedé držiaky na montážnych svorkách a vyťahnite smerom nahor.

**⚠ UPOZORNENIE:** Vždy vyberte vaše dieťa zo sedadla predtým ako vyberáte sedadlo z rámu.

#### ZAKLÁPANIE SEDADLA

28 Naddvihnite zaklápaciu páčku sedadla, ktorá sa nachádza na hornej časti sedadla za strieškou.

29 Potiahnite smerom nadol ak chcete znížiť sedadlo a potiahnite smerom nahor ak chcete zvýšiť sedadlo až kým kliknutím nezapadne do žiadanej polohy.

#### NASTAVENIE VÝŠKY RUKOVÄTE

30 Stlačte tlačidlo na úpravu rukoväte a rukoväť posuňte nahor alebo nadol na požadovanú dĺžku.

#### NASTAVITELNÝ PRIESTOR NA NOHY

31 Nastavenie sklonu: Stlačte tlačidlá na nastavenie priestoru pre nohy a posuňte smerom nahor alebo nadol až kým kliknutím nezapadne do požadovanej polohy.

#### ODPOJENIE KOŠÍKA

32 Uvoľnite horné úchytky košíka na stredovej nosnej tyči rámu. Potom uvoľnite dolné úchytky na bočných nosných tyčiach rámu.

33 Odopnite hornú prednú plastovú slučku od kovového kolíka na prednej časti rámu.

#### SKLADANIE

- Vyberte dieťa zo sedadla.
- Kočík je možné poskladať s pripevneným alebo odpojeným sedadlom, či je v smere alebo proti smeru jazdy.
- Keď skladáte so sedadlom v proti smeru jazdy, odporúča sa, aby pred skladaním bolo sedadlo úplne zaklopené.
- Vždy sklopiť sedadlá do najviac vzpriamenej polohy a umiestnite ho dopredu smerujúcich k najkompaktnejšie záhybu.

34 Miesto na nohy sedačky potiahnite nahor a sedačku sklopte smerom nahor.

35 Páčky na rýchle zloženie potiahnite nahor a rám nechajte, aby sa sklopil. Rám kočíka potlačte palcom nadol, aby sa páčky na rýchle zloženie dali ľahšie nadvihnúť. Dajte pozor, aby páka zámku úložného priestoru zacvakla na miesto.

#### ODPOJENIE LÁTKY SEDADLA

36 Odopnite látku sedadla od rámu sedadla.

37 Na zadnej časti sedadla uvoľnite háčik a slučku a vyťahnite popruh cez D-krúžok.

38 Stlačte tlačidlá na nastavenie miesta na nohy a miesto na nohy vyťahnite von, aby sa z rámu sedačky odstránila tyč z miesta na nohy. Látku sedačky vyťahnite zo žliabku tyče z miesta na nohy.

# STAROSTLIVOSŤ A ÚDRŽBA

Aby sa zachovala životnosť kočíka, je dôležité vykonávať jednoduchú, pravidelnú údržbu. Občas sa ubezpečte, že spoje a skladacie časti sú stále v dobrom stave. Ak budete počuť nejaké vrzkanie, alebo cítiť napätie, môžete zobrať kočík do miestneho obchodu s bicyklami a požiadať o premazanie. Všetky opravy by mali byť vykonávané iba autorizovaným predajcom.

## PRANIE

### Látka sedadla

- Látku sedadla môžete oprat' v práčke studenou vodou a jemným pracím prostriedkom.
- Pred opraním zo sedadla vyberte kovový rám a PE panely.
- Nepoužívajte rozpúšťadlá, agresívne, alebo abrazívne čistiace prostriedky.
- Aby sa minimalizovalo zbehnutie, pripevnite sedadlo na rám a nechajte vyschnúť.
- Látku nestláčajte, nežehlite, nečistite v čistiarňi, nesusušte v sušičke, ani nežmýkajte.
- Ak je potrebné vymeniť poťahy sedadla, použite len diely od autorizovaného predajcu značky Baby Jogger a len tie, ktoré sú zaručené, že boli bezpečnostne testované a navrhnuté tak, aby pasovali na toto sedadlo.

### Plastové/kovové časti

- Handričkou utrite jemným mydlom a teplou vodou.
- Nesmiete odstrániť, rozmontovať, ani upravovať akékoľvek časti skladacieho mechanizmu sedadla alebo brzd.

### Starostlivosť o kolieska

- Kolieska je možné očistiť vlhkou handričkou. Je potrebné dosucha ich utrieť mäkkým uterákom alebo handričkou.

## USKLADNENIE

- Slnecné lúče môžu spôsobiť vyblednutie látky sedadla a vysušenie pneumatík, a preto uskladnením kočíka vo vnútri predĺžite jeho životnosť a dobrý vzhľad.
- NESKLADUJTE vonku.
- Predtým ako uskladníte na dlhšiu dobu, sa ubezpečte, že kočík je suchý.
- Kočík vždy uskladnite v suchom prostredí.
- Keď kočík nepoužívate, uskladnite ho v bezpečnom prostredí (napr. tam kde sa s ním deti nemôžu hrať).
- NEUMIESTŇUJTE ťažké predmety na kočík.
- NESKLADUJTE kočík v blízkosti priameho zdroja tepla, ako je radiátor alebo oheň.



# ZAREGISTRUJTE VÁŠ KOČÍK ONLINE NA ADRESE [www.babyjogger.com/register](http://www.babyjogger.com/register)

## Obmedzená doživotná záruka značky Baby Jogger:

Značka Baby Jogger zaručuje, že rám je bez výrobných chýb po celú dobu životnosti výrobku. Medzi výrobné chyby patria, ale nie sú obmedzené na, zlomenie spojov a poškodenie rúriek rámu. Textilné alebo mäkké bočné materiály a všetky ostatné súčasti sú kryté zárukou po dobu jedného roka od dátumu nákupu (s výnimkou rúriek a pneumatík). Na reklamáciu je potrebný doklad o kúpe a záruka sa vzťahuje len na pôvodného kupujúceho.

## TÁTO ZÁRUKA SA NEVZŤAHUJE NA:

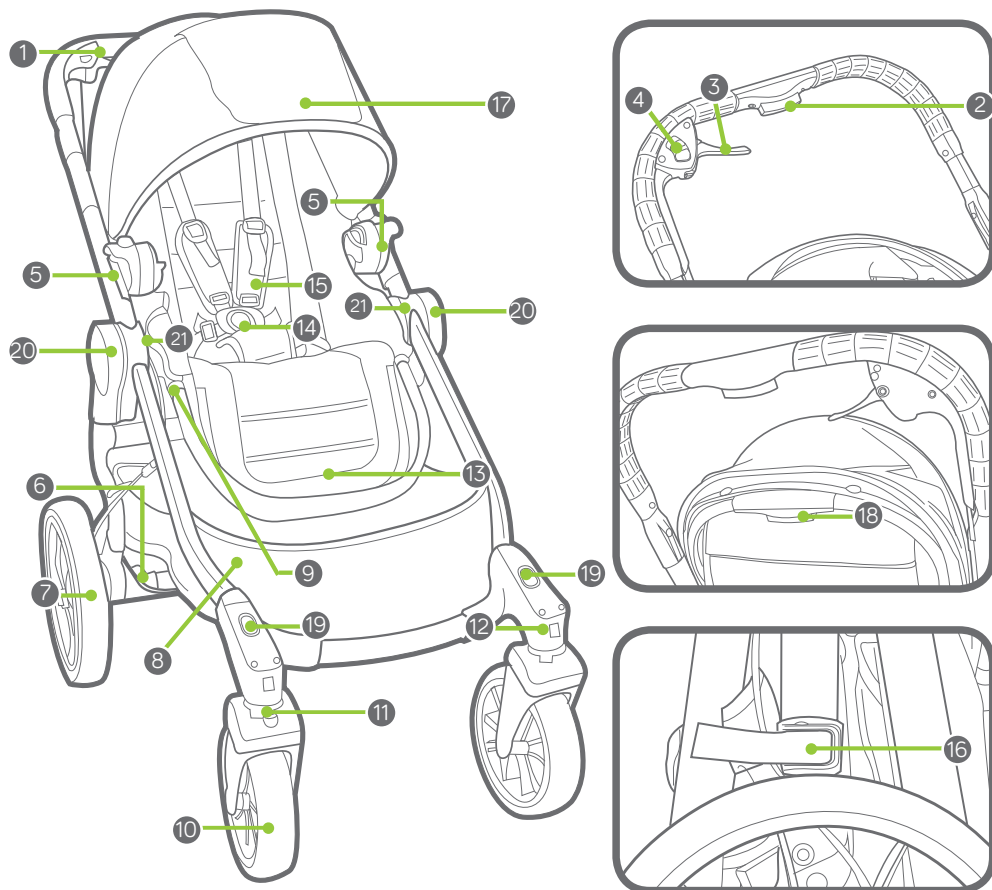
- Bežné opotrebovanie
- Koróziu a hrdzu
- Chybnú montáž alebo inštaláciu dielov tretích strán alebo doplnkov, ktoré nie sú kompatibilné s pôvodným dizajnom
- Náhodné alebo úmyselné poškodenie, zneužívanie alebo zanedbávanie, alebo používanie na schodoch alebo eskalátoroch.
- Komerčné použitie
- Nesprávne uskladnenie/starostlivosť o výrobok

Táto záruka výslovne vylučuje nároky na nepriame, náhodné alebo následné škody. Odvodené záruky obchodovateľnosti a vhodnosti pre konkrétny účel sú v závislosti od konkrétnej záručnej doby pre tento model zariadenia v čase nákupu. Niektoré štáty neumožňujú vylúčenie alebo obmedzenie náhodných alebo následných škôd, takže vyššie uvedené obmedzenia alebo vylúčenia sa nemusia vzťahovať na vás. Táto záruka vám poskytuje špecifické zákonné práva a môžete mať tiež iné práva, ktoré sa líšia v jednotlivých štátoch. Ak chcete vedieť, aké sú vaše zákonné práva vo vašom štáte, obráťte sa na miestny alebo štátny úrad pre záležitosti spotrebiteľov alebo na vášho generálneho prokurátora.

Ak bol váš kočík zakúpený mimo územia Spojených štátov, obráťte sa prosím na distribútora v najbližšej krajine. Ich kontaktné informácie môžete nájsť na našich webových stránkach <http://www.babyjogger.com/retailers/#international>. K nárokom na záruku mimo krajiny, v ktorej bol výrobok zakúpený môžu byť účtované poplatky za dopravu.



**POZNÁMKA:** Keď budete kontaktovať distribútora značky Baby Jogger, majte pripravené výrobné číslo a dátum výroby vášho kočíka. Môžete ich nájsť na pravom skladacom mechanizme.



- |    |  |    |                                    |
|----|--|----|------------------------------------|
| 1  | Ročaj                                  | 12 | Gumb za sprostitev sprednjih koles |
| 2  | Gumb za nastavitev ročaja              | 13 | Nožni podstavek                    |
| 3  | Gumb za sprostitev zavorne ročice      | 14 | Zaponka H-pasu                     |
| 4  | Zaklep parkirne zavore                 | 15 | Blazine H-pasu                     |
| 5  | Nastavek za montažo sedeža             | 16 | Zaklep za zlaganje                 |
| 6  | Gumb za sprostitev zadnjih koles       | 17 | Baldahin                           |
| 7  | Zadnje kolo                            | 18 | Gumb za naklon sedeža              |
| 8  | Košara                                 | 19 | 2. montažna reža nastavka za sedež |
| 9  | Gumb za prilagajanje nožnega podstavka | 20 | Ročice za hitro zlaganje           |
| 10 | Sprednje kolo                          | 21 | Reže za pritrnitev dodatkov        |
| 11 | Obračanje/zaklep                       |    |                                    |

# OPOZORILO

**POMEMBNO** – Ta navodila shranite za prihodnjo uporabo.  
Pred uporabo natančno preberite ta navodila. Neupoštevanje teh navodil lahko vpliva na varnost vašega otroka.

## VOZIČEK ZA ENEGA OTROKA

- V tem vozičku lahko sedi le en potnik.

- ⚠ **OPOZORILO** Ta sedežna enota ni primerna za otroke, stare manj kot 6 mesecev. Največja teža je 15 kg; največja višina je 101,6 cm.
- Skupna priporočljiva obremenitev za ta voziček je 26 kg. 15 kg v sedežu, 1 kg v zadnjem predalu sedeža in 7 kg v košari.
- ⚠ **OPOZORILO**: Ta voziček ni primeren za tekanje ali rolkanje.
- ⚠ **OPOZORILO**: Nikoli ne puščajte otroka brez nadzora.
- ⚠ **OPOZORILO**: Vedno uporabljajte zadrževalni sistem.
- ⚠ **OPOZORILO**: Preverite, ali so priključki za pritrditev ležišča, sedeža ali avtosedža pravilno vpeti, preden jih uporabite.
- ⚠ **OPOZORILO**: Da preprečite poškodbe otroka, mora biti med pripravljanjem in zlaganjem tega vozička otrok na ustreznih razdalji.
- ⚠ **OPOZORILO**: Zaklenite zavore, preden otroka namestite v voziček, ko ga jemljete ven in vedno, ko se voziček ne premika.
- ⚠ **OPOZORILO**: Pred uporabo preverite, ali so vse zapore aktivirane.

- ⚠ **OPOZORILO**: Ne dovolite, da bi se otrok s tem izdelkom igral.
- ⚠ **OPOZORILO**: Če na voziček dajete pakete, dodatke ali oboje, lahko postane nestabilen.
- ⚠ **OPOZORILO**: Vsako breme, pritrjeno na ročaj, hrbtni del naslonjala ali na bok vozička, vpliva na stabilnost vozička.
- Ta sedež uporabljajte v največjem nagibu, dokler zna otrok sedeti brez pomoči, se prekucniti ali potisniti na roke in kolena.
- Voziček ni namenjen prevažanju otrok po stopnicah ali tekočih stopnicah. Škoda na vozičku, ki nastane zaradi te uporabe, ni krita z garancijo.
- Ta voziček ne nadomesti otroškega ležišča ali posteljice. Če mora otrok spati, ga položite v primerno košaro, ležišče ali posteljico.
- Ne uporabljajte dodatkov, ki jih družba Baby Jogger ni odobrila.
- Pazite na avtomobile – nikoli ne domnevajte, da lahko voznik vas in vašega otroka vidi.
- Potnik mora sedeti (v vozičku ne sme stati).
- Uporabljajte samo nadomestne dele, ki jih dobavi ali odobri Baby Jogger.

**OKVIR**

1 Iz škatle vzemite okvir vozička in dajte kolesa na stran. Povlecite zaklepno ročico za zlaganje vozička in jo odklenite.

2 Dvignite ročaj od spodnjega okvira. Voziček se bo zaskočil v pravičen položaj.

3 Voziček postavite v raven položaj.

**⚠ OPOZORILO:** Pred uporabo preverite, ali so vse zapore aktivirane.

**SPREDNJE KOLO****4 Namestitvev**

- Voziček položite na hrbet, da bo ročaj na tleh.

- Nataknite sprednje kolo, tako da ga potiskate v sprejem sprednjih koles, dokler se ne zaskoči. Nežno povlecite za sprednje kolo in se prepričajte, da je pravilno pritrjeno.

**5 Odstranjanje**

- Med pritiskanjem gumba za sprostitvev sprednjih koles nežno povlecite sprednje kolo iz sprednjega sprejema za kolo.

**LASTNOST OBRAČANJA**

6 Pritisnite na gumb za zaklep obračanja navzdol in potisnite zaklep obračanja v levo, da zaklenete sklop sprednjih koles v nepremični položaj za dolgotrajno vožnjo.

7 Pritisnite gumb za zaklep obračanja navzdol in potisnite zaklep obračanja v desno, da omogočite obračanje sklopa sprednjih koles.

**⚠ OPOZORILO:** Pri dajanju otroka v voziček in iz njega zaklenite sprednja kolesa v fiksni položaj. Čeprav se sprednja kolesa vozička zaklenejo, voziček ni primeren za uporabo med tekanjem ali vadbo.

**ZADNJA KOLESJA****8 Namestitvev**

- Poravnajte os zadnjih koles s sprejemom za kolesa na okviru vozička in ga vstavite v sprejem za kolesa, da se zaskoči.

- Nežno povlecite za zadnje kolo in se prepričajte, da je pravilno pritrjeno.

**9 Odstranjanje**

- Med pritiskanjem na gumb za sprostitvev koles nežno potisnite zadnje kolo iz sprejema za kolo.

**ZAVORA**

10 Za aktiviranje zavore stisnite zavorno ročico.

11 Za zaklep parkirne zavore: nežno potisnite zavorno ročico naprej, da se zaskoči v mesto.

12 Za sprostitvev parkirne zavore: povlecite zaklep parkirne zavore proti sebi.

**⚠ OPOZORILO:** Zaklenite zavore, preden otroka namestite v voziček, ko ga jemljete ven in vedno, ko se voziček ne premika.

13 Če zadnja kolesa skupaj ne zavirajo enakomerno, lahko zavore vozička nastavite. Zavore za kolesa, ki se še naprej obračajo med zaviranjem, je treba pritegniti: Poiščite nastavitveni gumb na pestu kolesa (A) z zrahljanimi zavorami. Kratek obroč zavor (B) popustite, da prilagodite dolgi cilindrični obroč (C). Odvijte dolgi cilindrični obroč proč od pesta kolesa (A), da kabel zategnete. (Ne zategnite ga preveč!) Da obroč zaklenete, pritegnite kratek obroč (B) proti pestu kolesa (A), medtem ko dolgi cilindrični obroč (C) držite na mestu. Ročno zavoro postopoma stiskajte, da boste voziček bolje nadzorovali.

**SEDEŽ – RAZPRTJE SEDEŽA**

14 Držite za nožni podstavek in vrh sedeža, da se sedež razpre.

15 Sedež se zaskoči v odprt položaj.

**BALDAHIN**

16 Pritrdite baldahina na okvir: Nastavke baldahina pritrдите na strani okvira sedeža.

17 Pritrdite 2 pritrditvene trakove baldahina na vrh sedeža.

**PRILAGAJANJE VARNOSTNEGA H-PASU**

18 S hrbtne strani sedeža odпустite pritrditveni trak in odprite žep, da najdete štirikotni plastični zapirac. Obrnite zapirac in ga povlecite skozi odprtine v PE-plošči in tkanini sedeža.

19 Zapirac ponovno vstavite v odprtino sedeža, ki je najbližja otrokovim ramenom. Povlecite ga nazaj skozi tkanino sedeža in PE-ploščo. Povlecite za trak in se prepričajte, da je zapirac pritrjen. Ponovite še na drugi strani.

**⚠ OPOZORILO:** Preprečite resne poškodbe otroka zaradi padca ali zdrsa iz vozička. Varnostni H-pas vedno pravilno namestite in zategnite.

**⚠ OPOZORILO:** Vedno uporabite mednožni trak v kombinaciji z ramenskimi pasovi in trakovi za pas.

20 Potisnite blazine H-pasu navzgor, da dostopite do plastičnega vodila na traku.

21 Držite za plastično vodilo in povlecite za trak, da ga zategnete ali odpustite.

#### UPORABA VARNOSTNEGA H-PASU

22 Stranske zaponke pasu vstavite v zaponko H-traku na obeh straneh.

23 Vstavite spet trak in stranski zaponki trakov v stranici mednožne zaponke.

24 Pritisnite gumb na mednožni zaponki, da jo sprostite.

#### NAMESTITEV SEDEŽA NA OKVIR

25 Poravnajte nastavke za namestitve dodatkov z montažnimi nastavki na okviru vozička.

26 Potisnite sedež v nastavke, da se zaskoči. Prepričajte se, da sta obe strani sedeža varno pritrjeni v okviru, preden začnete z uporabo.

OPOMBA: Sedež se lahko namesti tako, da gleda naprej ali nazaj.

#### ODSTRANJEVANJE SEDEŽA

27 Pritisnite na siva jezička na montažnih nastavkih in jih povlecite navzgor.

**⚠ OPOZORILO:** Pred odstranjevanjem sedeža iz okvira otroka vedno vzemite iz sedeža.

#### NAGIBANJE SEDEŽA

28 Dvignite ročico za nagibanje sedeža; najdete jo na vrhu sedeža za baldahinom.

29 Ročico povlecite navzdol, da sedež spustite, ali pa jo dvignite, da sedež dvignete, dokler se ne zaskoči v zelenem položaju.

#### PRILAGAJANJE VIŠINE ROČICE

30 Stisnite gumb za prilagoditev ročice in ročico potiskajte navzgor ali navzdol v zeleno dolžino.

#### PRILAGODLJIV NOŽNI PODSTAVEK

31 Prilagajanje kota: Pritisnite na prilagoditvene gumbe na nožnem podstavku in ga premikajte gor ali dol, dokler se ne zaskoči v zelenem položaju.

#### ODSTRANJEVANJE KOŠARE

32 Odnite vrhne sponke na košari okoli sredinskega podpornega droga okvira.

Nato odpnite spodnje sponke okoli stranskih podpornih drogov okvira.

33 Snemite vrhno sprednjo plastično zanko s kovinskega gumba na sprednji strani okvira. Ponovite postopek na nasprotni strani.

#### ZLAGANJE

- Otroka vzemite iz sedeža.
- Voziček lahko zložite s pritrjenim sedežem ali brez njega, ki lahko gleda naprej ali nazaj.
- Pri zlaganju s sedežem, ki gleda nazaj, priporočamo, da je sedež nagnjen do konca, preden ga zložite.
- Sedež vedno nasloni na svoje najbolj pokončnem položaju, in ga postavite v obrnjenega naprej za najbolj kompaktno krat.

34 Povlecite nožni podstavek navzgor in sedež zložite navzgor.

35 Povlecite ročice za hitro zlaganje navzgor, da se okvir sesede. S palcem potisnite okvir vozička navzdol, da olajšate dvig ročic za hitro zlaganje. Preverite, ali se je zaklepna ročica za zlaganje zaskočila.

#### ODSTRANJEVANJE TKANINE SEDEŽA

36 Tkanino odpnite z okvira sedeža.

37 Od zadnje strani sedeža odpnite kavljce iz zank in trak potisnite skozi D-obroček.

38 Press the Footwell Adjustment Buttons and pull out on the Footwell to remove the footwell bar from the seat frame. Pull the seat fabric out of the channel in the Footwell bar.

# NEGA IN VZDRŽEVANJE

Za ohranjanje vozička v dobrem stanju je pomembno, da ga redno vzdržujete z nekaj preprostimi ukrepi. Občasno se prepričajte, da so zglobovi in pregibi v dobrem stanju. Če slišite hreščanje ali začutite napetost, lahko voziček peljete v lokalno trgovino za kolesa, kjer ga lahko podmažejo. Vsa popravila lahko izvaja le pooblaščen trgovec.

## PRANJE

### Tkanina sedeža

- Tkanino sedeža lahko perete v stroju s programom hladnega pranja z blagim detergentom.
- Kovinski okvir in PE-plošče pred pranjem odstranite s sedeža.
- Ne uporabljajte topil ter jedkih ali abrazivnih čistil.
- Da zmanjšate krčenje tkanino ponovno napnite na okvir, da se osuši.
- Tkanine ne stiskajte, likajte, čistite v čistilnici, sušite v sušilniku in ne ožemajte.
- Če morate prekrivalo sedeža zamenjati, uporabljajte le dele od pooblaščenega trgovca družbe Baby Jogger. Le pri njih je bila varnost zagotovo preverjena in so narejeni tako, da se prilagajajo temu sedežu.

### Plastični/kovinski deli

- Obrišite jih z blagim milom in toplo vodo.
- Delov mehanizma za zlaganje sedeža ali zavor ne smete odstraniti, razstaviti ali spremeniti.

### Nega koles

- Kolesa očistite z vlažno krpo. Povsem jih osušite z mehko brisačo ali krpo.

## SHRANJEVANJE

- Zaradi sonca lahko tkanina obledi, kolesa pa se izsušijo, zato lahko s shranjevanjem v zaprtih prostorih podaljšate lep videz vozička.
- NE shranjujte ga zunaj.
- Voziček mora biti suh, preden ga za dlje časa shranite.
- Voziček vedno shranjujte v suhem okolju.
- Voziček shranjujte na varnem, ko ga ne uporabljate (tj. kjer se z njim ne morejo igrati otroci).
- Na voziček NE polagajte težkih predmetov.
- Vozička NE shranjujte poleg neposrednega vira vročine, kot je radiator ali ogenj.

# SVOJ VOZIČEK REGISTRIRAJTE NA SPLETU NA [www.babyjogger.com/register](http://www.babyjogger.com/register)

## Omejena doživljenjska garancija družbe Baby Jogger:

Družba Baby Jogger daje doživljenjsko jamstvo, da okvir nima tovarniških napak. Tovarniške napake med drugim vključujejo zlom zvarov in poškodbo cevi okvira. Tekstil ali mehki stranski materiali in vsi drugi sestavni deli imajo enoletno garancijo od dneva nakupa (razen cevi in kolesa). Za uveljavljanje garancijskih zahtevkov je treba predložiti dokazilo o nakupu; garancija se podaljša le originalnemu kupcu.

### TA GARANCIJA NE KRIJE:

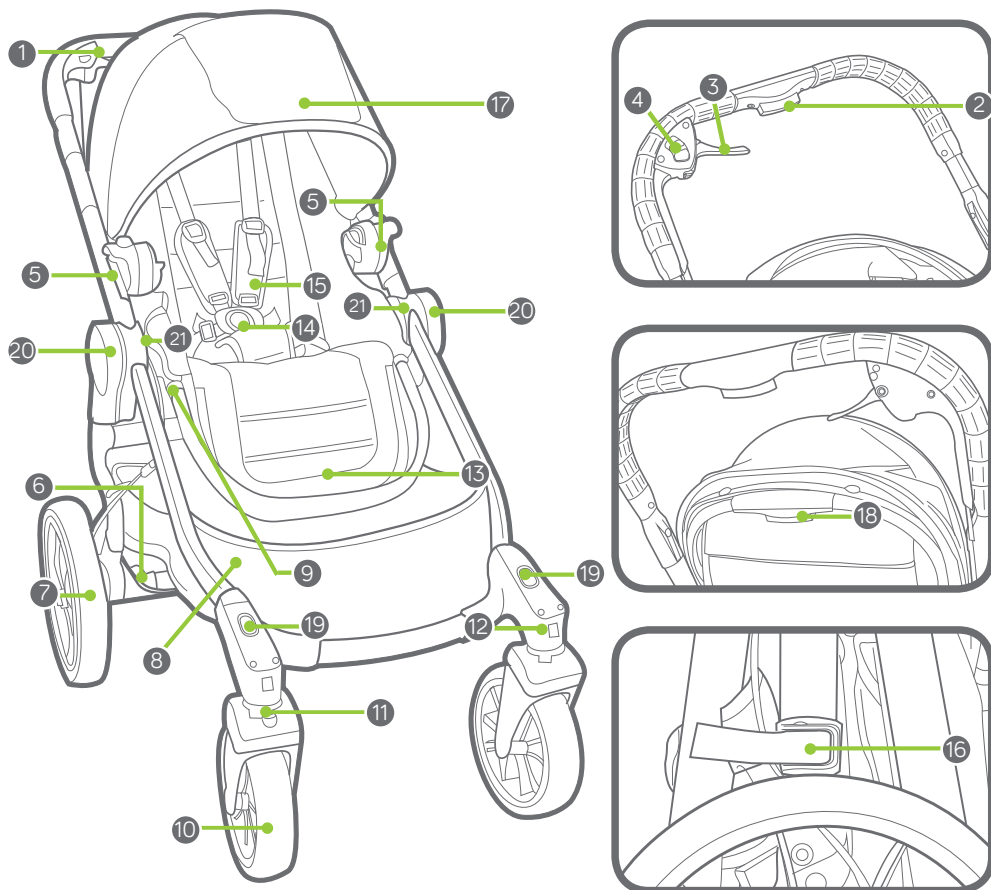
- običajne obrabe
- korozije ali rje
- nepravilnega sestavljanja ali nameščanja, delov tretjih strank ali opreme, ki ni združljiva z izvorno zasnovo vozička
- nenamerne ali namerne poškodovanja, neprimerne uporabe ali zanemarjanja ter uporabe na stopnicah ali tekočih stopnicah
- komercialne uporabe
- nepravilnega shranjevanja/nege

Ta garancija izrecno izključuje zahtevke za posredno, nezgodno ali posledično škodo. Implicirano jamstvo za možnost prodaje ali primernost za določen namen je v skladu z navedenim garancijskim obdobjem za ta model v času nakupa. V nekaterih državah ni dovoljeno izključevati ali omejevati nezgodne ali posledične škode, zato te omejitev ali izključitev za vas morda ne veljajo. Ta garancija vam daje določene zakonske pravice, morda pa imate tudi druge pravice, ki se med državami razlikujejo. Če želite izvedeti več o svojih zakonskih pravicah v svoji državi, se posvetujte lokalnim ali državnim predstavnikom za pravice potrošnikov ali z državnim pravobranilcem.

Če vaš voziček ni bil kupljen v Združenih državah Amerike, se obrnite na distributerja v svoji državi, ki vam je najbližji. Njihove kontaktne informacije lahko najdete na spletni strani na <http://www.babyjogger.com/retailers/#international>. Pri garancijskih zahtevkih zunaj države, v kateri je bil izdelek kupljen, lahko nastanejo potni stroški.



**OPOMBA:** Preden pokličete distributerja družbe Baby Jogger v zvezi z vozičkom, pripravite serijsko številko in datum izdelave vozička. Podatka najdete na desni strani mehanizma za zlaganje.



- |    |                                  |    |   |
|----|----------------------------------|----|---|
| 1  | Handtag                          | 12 | Frigöringsknapp för framhjul                              |
| 2  | Justeringsknapp för handtag      | 13 | Fotutrymme  |
| 3  | Parkeringsbromsens öppningsknapp | 14 | Selspänne   |
| 4  | Parkeringsbroms                  | 15 | Seldynor  |
| 5  | Monteringskonsol för sits        | 16 | Förvaringslås   |
| 6  | Frigöringsknapp för bakhjul      | 17 | Sufflett  |
| 7  | Bakhjul                          | 18 | Knapp för sitslutning                                     |
| 8  | Förvaringskorg                   | 19 | Monteringsöppningar för adaptern till den andra sittdelen |
| 9  | Justeringsknapp för fotutrymme   | 20 | Handtag för snabb hopfällning                             |
| 10 | Framhjul                         | 21 | Skåror för tillbehörsmontering                            |
| 11 | Svivel/Lås                       |    |   |



# VARNING

**IVIKTIGT!** – Behåll dessa anvisningar för framtida bruk.  
Läs dessa instruktioner noggrant före användning. Ditt barns säkerhet kan äventyras om du inte följer dessa anvisningar.

## SINGELSTROLLER

- Denna barnvagn har plats för ett barn.
- ⚠ **VARNING!** Denna sittdel är inte lämplig för barn under 6 månader. Maxvikt är 15 kg, maxlängd är 101,6 cm.
- Rekommenderad totalvikt för denna barnvagn är 28 kg. 15 kg i sittdelen, 1 kg i fickan på baksidan av sittdelen och 7 kg i korgen.
- ⚠ **VARNING!** Denna stroller lämpar sig inte för löpning eller rollerbladeåkning.
- ⚠ **VARNING!** Lämna aldrig ditt barn utan uppsikt.
- ⚠ **VARNING!** Använd alltid selen.
- ⚠ **VARNING!** Kontrollera att barnvagnen eller sitsenhetsfästena eller bilbarnstolsfästena är korrekt fastlåsta före användning.
- ⚠ **VARNING!** Se till att barnet inte är i närheten när denna produkt fälls upp eller fälls ihop för att undvika skador.
- ⚠ **VARNING!** Läs bromsarna innan du placerar barnet i eller lyfter det ur strollern och närhelst strollern inte är i rörelse.
- ⚠ **VARNING!** Se till att alla låsmekanismer är inkopplade före användning.
- ⚠ **VARNING!** Låt inte ditt barn leka med denna produkt.
- ⚠ **VARNING!** Paket eller tillbehör, eller bådadera, som placeras på enheten kan göra denna instabil.
- ⚠ **VARNING!** Allt som hängs på handtaget och/eller på baksidan av ryggstödet och/eller på sidorna av vagnen påverkar stabiliteten.
- Denna sits bör användas i sitt mest uppfällda läge tills barnet kan sitta upp utan hjälp, rulla runt eller ta sig upp själv på händer och knän.
- Strollern är inte avsedd för transport av barn uppför eller nerför trappor eller rulltrappor. Skador på strollern som kan bli resultatet, täcks inte av garantin.
- Denna stroller ersätter inte en liggkorg eller en säng. Om ditt barn behöver sova ska det placeras i en lämplig barnvagn, liggkorg eller säng.
- Tillbehör som inte är godkända av Baby Jogger ska inte användas.
- Håll uppsikt över bilar – utgå aldrig från att en bilförare kan se dig och ditt barn.
- Passageraren ska förbli sittande (får inte stå upp i strollern).
- Använd endast reservdelar som tillhandahålls eller som är godkända av Baby Jogger.

## RAM

- 1 Packa upp stollerramen ur kartongen och lägg hjulen åt sidan. Lås upp stollern genom att dra i förvaringslåsspaken.
  - 2 Lyft undan handtaget från den nedre ramen. Stollern klickar fast i rätt läge.
  - 3 Placera stollern i upprätt position.
- ⚠️ VARNING!** Se till att alla låsmekanismer är inkopplade före användning.

## FRAMHJUL

## 4 Installation

- Lägg stollern med baksidan nedåt så att handtaget vilar mot golvet.
- Fäst framhjulet genom att låta det glida på framhjulsmonteringen tills det klickar fast. Dra försiktigt i framhjulet för att kontrollera att det sitter säkert.

## 5 Borttagning

- Dra försiktigt ut framhjulet från monteringen medan du trycker på framhulets frigöringsknapp.

## SVIVELFUNKTION

- 6 Tryck ner svivellåsknappen och dra svivellåset åt vänster för att låsa framhjulsmonteringen i fast läge för långa promenader med stollern.

- 7 Tryck ner svivellåsknappen och dra svivellåset åt höger för att göra framhjulen svängbara.

- ⚠️ VARNING!** Lås framhjulet i fast läge när du placerar barnet i eller lyfter det ur stollern. Även om framhjulet på stollern går att låsa, är den inte avsedd för jogging eller träning.

## BAKHJUL

## 8 Installation

- Rikta in bakhjulsaxeln mot hjulmonteringen på stollerramen och sätt den i hjulmonteringen tills den klickar fast.
- Dra försiktigt i bakhjulet för att kontrollera att det sitter säkert.

## 9 Borttagning

- Dra försiktigt ut bakhjulet från monteringen medan du trycker på bakhjulets frigöringsknapp.

## BROMS

- 10 Tryck på bromsspaken för att aktivera bromsen.

- 11 För att låsa parkeringsbromsarna: tryck försiktigt bromsspaken framåt tills den klickar fast.

- 12 För att släppa parkeringsbromsarna: dra parkeringsbromsens öppningsknapp mot dig.

- ⚠️ VARNING!** Lås bromsarna innan du placerar barnet i eller lyfter det ur stollern och närhelst stollern inte är i rörelse.

- 13 Om bakhjulen inte bromsar jämt, kan du justera dem. Bromsen på hjulet som fortsätter snurra vid bromsning måste spännas: Leta rätt på justeringsspaken vid hjulnavet (A). Lossa bromsens korta ring (B) för att justera den långa cylinderringen (C). Skruva upp cylinderringen på hjulnavet (A) för att späna kabeln. (Spänn inte för mycket!) Lås ringarna genom att späna den korta ringen (B) mot hjulnavet (A) medan du håller den långa cylinderringen (C) på plats.

Dra åt handbromsen gradvis för bättre kontroll över barnvagnen.

## SITS – FÄLLA UPP SITSEN

- 14 Håll ner fotutrymmet och överdelen av sitsen, öppna sitsen.

- 15 Sitsen låses fast i den öppna positionen.

## SUFFLETT

- 16 Fäst suffletten på ramen: Fäst sufflettens konsoler på sidorna av sitsramen.

- 17 Fäst de två fästremmarna på suffletten på ovansidan av sittdelen.

## JUSTERA SÄKERHETSSELEN

- 18 Från sitsryggen öppnar du fästremman och öppnar fickan där fyrkantsstoppert i plast finns. Vrid på stoppern och för den genom öppningarna i PE-brädan och sitstyget.

- 19 Sätt tillbaka stoppern i sitsöppningen närmast barnets axlar. För tillbaka genom sitstyget och PE-plattan. Ryck i remmen för att kontrollera att stoppern är låst. Upprepa på båda sidorna.

- ⚠️ VARNING!** Undvik allvarliga personskador på grund av att barnet faller eller glider ut. Justera och fäst alltid säkerhetsselelen ordentligt.

- ⚠️ VARNING!** Använd alltid grenremmen i kombination med midjebältet.

- 20 Dra upp seldynorna för att komma åt plastledaren på remmen.

- 21 Håll i plastledaren och dra remmen för att dra åt eller lossa.

#### ANVÄNDA SÄKERHETSSELEN

- 22 Sätt sidoremspännet i selspännet på båda sidorna.
- 23 Sätt den hopsatta selen och sidoremspänna i sidorna på grenspännet.
- 24 Tryck på knappen på grenspännet vid frigöring.

#### PLACERA SITSEN PÅ RAMEN

- 25 Rikta in tillbehörsmonteringskonsolerna mot monteringskonsolerna på stollerramen.
- 26 Låt sitsen glida in i konsolerna tills den klickar fast. Kontrollera att båda sidorna av sitsen är säkert fastsatta i ramen innan du använder stollern.
- OBS! Sitsen kan installeras så att den antingen riktas framåt eller bakåt.

#### TA BORT SITSEN

- 27 Tryck på de grå flikarna på monteringsklämmorna och dra uppåt.
- ⚠ VARNING!** Lyft alltid ur barnet från stollern innan du lossar sitsen från ramen.

#### FÄLLA UPP SITSEN

- 28 Lyft sitsuppfällningsspaken som finns ovanpå sitsen, bakom suffletten.
- 29 Dra ner spaken för att sänka sitsryggen och dra upp den för att räta upp sitsryggen tills den klickar fast i önskad position

#### JUSTERING AV HANDTAGSHÖJD

- 30 Tryck på justeringsknappen till handtaget och låt handtaget glida uppåt eller nedåt till önskad höjd.

#### JUSTERBART FOTUTRYMME

- 31 Justera vinkeln: Tryck på justeringsknapparna på fotutrymmet och flytta det uppåt eller nedåt tills det klickar fast i önskad position.

#### BORTTAGNING AV KORGEN

- 32 Lossa korgens övre snäppfästen runt ramens mittre stödstång. Lossa sedan de nedre snäppfästena runt sidostödstångerna på ramen.
- 33 Lyft plastöglan som sitter uppe på framsidan över metalknappen på ramens framsida. Upprepa för den motsatta sidan.

#### HOPFÄLLNING

- Lyft upp ditt barn ur sitsen.
  - Stollern kan fällas ihop med eller utan sitsen fastsatt, riktad framåt eller bakåt.
  - När du faller ihop stollern med bakåtvänd sits, rekommenderas det att sitsen rätas upp helt före hopfällningen.
  - Ställ alltid sätet i dess mest upprätta läge och placera det framåtvänt för mest kompakta form.
- 34 Dra upp fotstödet och fäll ihop sittdelen uppåt.
- 35 Dra upp handtagen för snabb hopfällning och låt ramen falla ihop. Tryck ned på ramen med tummen för att enklare lyfta upp handtagen. Kontrollera att förvaringsspärrens spake klickar fast.

#### AVLÄGSNA SITSTYGET

- 36 Snäpp loss sitstyget från sitsramen.
- 37 Från sitsens baksida lossar du kroken och öglan och drar remmen genom D-ringen.
- 38 Tryck på fotstödet justeringsknappar och dra ut fotstödet för att avlägsna fotstödet stång från sätesramen. Dra ut sitstyget ur kanalen i fotstödet stång.

# SKÖTSEL OCH UNDERHÅLL

För att bibehålla gott skick på din stroller är det viktigt att utföra enkelt, regelbundet underhåll. Kontrollera emellanåt att lederna och fälllytorna fortfarande är i gott skick. Om du hör något gnissel eller märker spänningar, kan du ta stollern till en lokal cykelaffär för att ge den extra smörjning. Alla reparationer ska endast utföras av en auktoriserad återförsäljare.

## TVÄTTNING

### Sitstyg

- Du kan maskintvätta stollerns sits i kallt vatten med ett mildt tvättmedel.
- Var noga med att ta bort metallramen och PE-plattorna från sitsen före tvättningen.
- Använd inte lösningsmedel, kaustiksoda eller slipande rengöringsmaterial.
- För att minimera krympning kan du helt enkelt sätta tillbaka sitsen i ramen och låta den torka där.
- Undvika att pressa, stryka, kemtvätta, torktumla eller vrida tyget.
- Om sitsskydden måste bytas ut, bör du endast använda reservdelar från en auktoriserad Baby Jogger-återförsäljare. Dessa är de enda som är garanterat säkerhetstestade och utformade för att passa denna sits.

### Plast-/metaldelar

- Torka rent med hjälp av mild tvål och varmt vatten.
- Du får inte avlägsna, montera isär eller ändra någon del av sitsens fällmekanism eller bromsarna.

### Hjulunderhåll

- Hjulen kan rengöras med en fuktig trasa. De behöver sedan torkas av fullständigt med en mjuk handduk eller trasa.

## FÖRVARING

- Solljus kan bleka sitstyget och torka ut däckerna, så förvaring av stollern inomhus bevarar dess goda utseende.
- Förvara INTE utomhus.
- Tillse att stollern är torr innan den läggs till förvaring under längre perioder.
- Förvara alltid stollern i en torr miljö.
- Förvara stollern på ett säkert ställe när den inte används (dvs där barn inte kan leka med den).
- Placera INTE tunga föremål ovanpå stollern.
- Förvara INTE stollern nära en direkt värmekälla såsom ett element eller eld.

# REGISTRERA DIN STROLLER ONLINE PÅ [www.babyjogger.com/register](http://www.babyjogger.com/register)

## Baby Joggers begränsade livstidsgaranti:

Baby Jogger garanterar att ramen är fri från tillverkningsdefekter under produktens livslängd. Tillverkningsdefekter innefattar men är inte begränsade till trasiga svetsfogar och skador på ramens rör. Textil eller mjuka sidomaterial och alla övriga komponenter har ett års garanti från inköpsdatum (förutom rör och däck). Inköpsbevis krävs vid ställandet av ett garantianspråk, och garantin gäller bara den ursprungliga köparen.

## DENNA GARANTI OMFATTAR INTE:

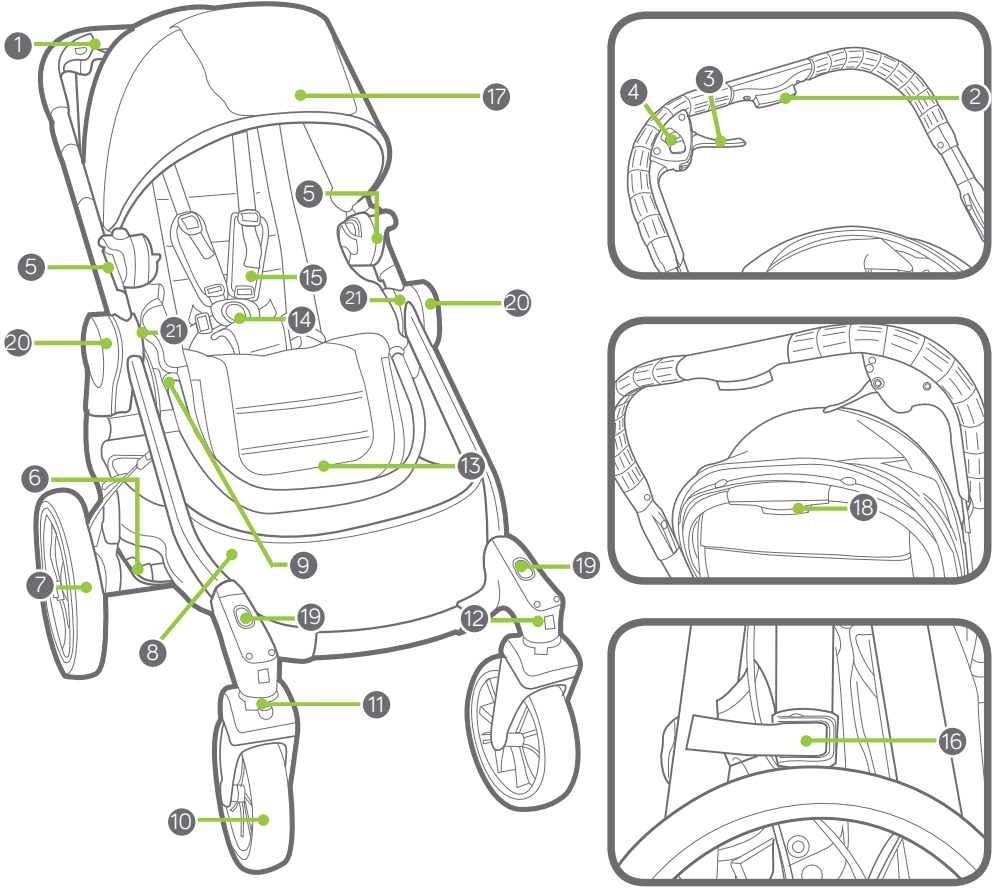
- normal nötning och slitning
- korrosion eller rost
- felaktig montering eller installation av tredjepartsdelar eller tillbehör som inte är kompatibla med originaldesignen
- skador som uppstått genom olyckshändelse eller oförutsett, genom våld eller försummelse eller användning i trappor eller rulltrappor.
- kommersiell användning
- olämplig förvaring/skötsel av enheten

Denna garanti exkluderar specifikt anspråk rörande indirekta, oförutsedda eller påföljande skador. De underförstådda garantierna om säljbarhet och lämplighet för ett särskilt syfte är enligt den specifika garantiperioden för denna modellenhet vid tidpunkten för inköpet. Vissa stater tillåter inte uteslutandet eller begränsningen av oförutsedda eller påföljande skador, så ovanstående begränsningar eller exkluderingar gäller eventuellt inte dig. Denna garanti ger dig specifika lagliga rättigheter och du kan också ha andra rättigheter vilka varierar från stat till stat. För att lära dig mer om vilka dina lagliga rättigheter är i din stat, bör du vända dig till din lokala eller statliga instans för konsumentfrågor eller statens justitiekansler.

Om din stroller har köpts utanför USA, bör du kontakta distributören i landet närmast dig. Deras kontaktinformation finns på vår webbplats på <http://www.babyjogger.com/retailers/#international>. Garantianspråk utanför landet där produkten köptes kan ge upphov till leveranskostnader.



OBS! Ha strollerens serienummer och tillverkningsdatum tillgängliga när du kontaktar Baby Jogger-distributören angående din stroller. Detta finner du på höger fällningsmekanism.



- |    |  |    |   |
|----|--|----|---|
| 1  | Gidon                                    | 12 | Ön Teker Serbest Bırakma Butonu           |
| 2  | Gidon Ayarlama Tuşu                      | 13 | Ayak Boşluğu                              |
| 3  | Fren Kolu                                | 14 | Kayış Tokası                              |
| 4  | Park Etme Frenini Serbest Bırakma Butonu | 15 | Kayış Yastıkları                          |
| 5  | Koltuk Oturtma Desteği                   | 16 | Saklama Bölümü Kilidi                     |
| 6  | Arka Teker Serbest Bırakma Butonu        | 17 | Gölgelik                                  |
| 7  | Arka Teker                               | 18 | Koltuk Yaslama Butonu                     |
| 8  | Saklama Sepeti                           | 19 | 2. Koltuk Uyarlayıcı Yerleştirme Yuvaları |
| 9  | Ayak Boşluğu Ayarlama Tuşu               | 20 | Hızlı Katlama Kolları                     |
| 10 | Ön Teker                                 | 21 | Aksesuar Yerleştirme Yuvaları             |
| 11 | Mil/Kilit                                |    |   |

# UYARI

**ÖNEMLİ** - Bu yönergeleri ileride başvurmak için saklayın. Kullanmadan önce bu talimatları dikkatlice okuyun. Bu yönergeleri uygulamazsanız, çocuğunuzun güvenliği etkilenebilir.

## TEKLİ BEBEK ARABASI

• Bu bebek arabası tek kişiliktir.

- ⚠ **UYARI** Bu koltuk, 6 aylıktan küçük bebekler için uygun değildir. Maksimum ağırlık 15 kg; maksimum boy ise 101.6 cm'dir.
- Bu bebek arabası için önerilen toplam ağırlık yükü 26 kg'dır. 15 kg koltukta, 1 kg koltuk arka cebinde ve 7 kg sepette.
- UYARI: Bu bebek arabası, hızlı veya yavaş tempoda koşu veya paten kaymak için uygun değildir.
- ⚠ **UYARI:** Çocuğunuzu hiçbir zaman gözetimsiz bırakmayın.
- ⚠ **UYARI:** Her zaman kısıtlama sistemini uygulayın.
- ⚠ **UYARI:** Kullanımdan önce bebek arabası gövdesi veya koltuğundaki veya araç koltuğundaki bağlantı cihazlarının doğru şekilde takılı olup olmadığını kontrol edin.
- ⚠ **UYARI:** Yaralanmaya meydan vermemek için bu ürünün yatay hale getirilmesi veya açılması sırasında çocukların uzak tutulmasını sağlayın.
- ⚠ **UYARI:** Çocuğunuzu arabaya koyup arabadan alırken veya bebek arabası hareket etmiyorken frenleri kilitleyin.
- ⚠ **UYARI:** Kullanım öncesinde tüm kilitleme cihazlarının kilitleti olduğundan emin olun.
- ⚠ **UYARI:** Çocukların bu ürünle oynamasına izin vermeyin.

⚠ **UYARI:** Ünite üzerine yerleştirilmiş kutular veya aksesuar öğeleri yerleştirilmesi, ünitenin dengesiz olmasına yol açabilir.

⚠ **UYARI:** Sırtlığın arkasına ve/veya koluna ve/veya aracın yan taraflarına yerleştirilen her tür yük aracın stabilitesini olumsuz etkiler.

- Bu koltuk, çocuk yardımı gerek olmadan oturma, yuvarlanma ve kendini elleri ve dizleri üzerinde itebilme hareketlerini gerçekleştirilene dek en yatık konumda kullanılmalıdır.
- Bebek arabası, çocukları yürüyen merdivenlerde taşımak amacıyla kullanılmamalıdır. Bebek arabasının gördüğü zarar, garanti kapsamında olmayacaktır.
- Bu bebek arabası, bir divan veya yatağın yerini tutmaz. Eğer uyuması gerekiyorsa, çocuğunuzu uygun bir divana veya yatağa yatırınız.
- Baby Jogger onayına sahip olmayan aksesuarlar kullanılmamalıdır.
- Arabalara dikkat edin; bir sürücünün sizi veya çocuğunuzu görebileceği varsayımında bulunmayın.
- Arabadaki çocuk, oturur halde olmalıdır (ayakta durmamalıdır).
- Sadece Baby Jogger tarafından tedarik edilmiş veya onaylanmış yedek parçalar kullanın.

## GÖVDE

1 Bebek arabası gövdesini kutudan çıkarın ve tekerlekleri kenara koyun. Saklama Bölümü Kilidi Kolunu çekerek bebek arabasının kilidini açın.

2 Gidonu alt gövdeden üste doğru kaldırın. Bebek arabası, yerine bir tık sesiyle oturacaktır.

3 Bebek arabasını üst konuma getirin.

**⚠ UYARI:** Kullanım öncesinde tüm kilitleme cihazlarının kilitli olduğundan emin olun.

## ÖN TEKER

4 Kurulum

- Bebek arabasını, gidonu yerde olacak şekilde arkaya yatırın.
- Ön Teker, tık sesi çıkana dek ön teker yerine iterek takın. Olması gerektiği gibi takılıp takılmadığını kontrol etmek için Ön Teker hafifçe çekin.

5 Çıkarma

- Ön teker serbest bırakma butonuna basarken, Ön Teker ön teker yerinden hafifçe çekerek çıkarın.

## MİL ÖZELLİĞİ

6 Mil Kilidi butonuna basın ve uzun süreli bir gezintiye yönelik olarak, ön teker düzeneğini sabit bir konuma getirmek için Mil Kilidini sola kaydırın.

7 Mil Kilidi butonuna basın ve ön teker düzeneğinin serbestçe dönmesi için Mil Kilidini sağa kaydırın.

**⚠ UYARI:** Çocuğu arabaya koyup arabadan alırken, ön tekeri sabit bir konumda kilitleyin. Bebek arabasının ön tekeri kilitlenebilir olsa da, hafif tempo koşu veya egzersiz için uygun değildir.

## ARKA TEKERLER

8 Kurulum

- Arka Teker eksenini, bebek arabası gövdesi üzerindeki tekerlek giriş yeriyle aynı hizaya getirin ve yerine tık sesiyle girene dek itin.
- Olması gerektiği gibi takılıp takılmadığını kontrol etmek için Arka Teker hafifçe çekin.

9 Çıkarma

- Arka Teker serbest bırakma butonuna basarken, Arka Teker yerinden hafifçe çekerek çıkarın.

## FREN

10 Freni devreye almak için fren kolunu sıkın.

11 Park Etme Frenlerini Kilitlemek İçin: Fren Kolunu tık sesi gelene dek hafifçe ileri itin.

12 Park Etme Frenlerini Serbest Bırakmak İçin: Park Etme Freninin serbest bırakma

butonunu kendinize doğru çekin..

**⚠ UYARI:** Çocuğunuzu arabaya koyup arabadan alırken veya bebek arabası hareket etmiyorken frenleri kilitleyin.

- 13 Arka tekerler birlikte dengeli şekilde frenlemiyorsa, bebek arabasının frenlerini ayarlayabilirsiniz. Frenleme esnasında dönmeye devam eden tekerin freni sıkılmalıdır: Tutmayan frenlerin bulunduğu teker göbeği (A) üzerindeki ayarlayıcıyı bulun. Uzun silindir halkayı (C) ayarlamak için frenin kısa halkasını (B) gevşetin. Kabloyu sıkılaştırmak için uzun silindir halkayı teker göbeğinden (A) uzaklaşacak şekilde çevirin. (Lütfen aşırı sıkmayın) Halkaları kilitlemek için uzun silindir halkayı (C) sabit tutarak kısa halkayı (B) teker göbeğine (A) doğru sıkın. Bebek arabasını daha iyi kontrol edebilmek için el frenini kademeli olarak sıkın.

## KOLTUK - KOLTUĞUN AÇILMASI

14 Ayak boşluğunu ve koltuğun üst kısmını tutarak, koltuğu açın.

15. Koltuk kendi konumuna kilitlenecektir.

## GÖLGE LİK

16 Gölge lığı gövdeye takın: Gölge lığın bağlantılarını koltuk gövdesinin iki tarafına bağlayın.

17 Gölge lığın 2 bağlama kayışını koltuğun üst kısmına bağlayın.

## EMNİYET KAYIŞININ AYARLANMASI

18 Koltuğun arka kısmından bağlama şeridini çözün ve plastik kare durdurucunun yerini belirlemek için cebi açın. Durdurucuyu döndürün ve PE panosundaki ve koltuk kumaşındaki açıklıklardan geçirin.

19 Durdurucuyu, çocuğun omuzlarına en yakın açıklığa tekrar takın. Koltuk kumaşı ve PE panosundan geriye doğru geçirin. Durdurucunun kilitli olduğundan emin olmak için kemeri çekin. Her iki tarafta da işlemi tekrarlayın.

**⚠ UYARI:** Düşme veya kayma yoluyla gerçekleşebilecek ciddi yaralanmaları önleyin. Emniyet kayışını her zamana olması gerektiği gibi ayarlayıp bağlayın.

**⚠ UYARI:** Kasık kemerini her zaman omuz kemeri ile birlikte kullanın.

20 Kemer üzerindeki plastik kılavuza erişmek için Kayış Yastıklarını yukarı kaydırın.

21 Plastik kılavuzu tutun ve sıkmak veya gevşetmek için kemeri çekin.

## EMNİYET KAYIŞININ KULLANIMI

22 Yan kemer tokasını, her iki tarafta da kayış tokasına yerleştirin.



- 23 Bağlamış kayış ve yan kemer tokalarını kasık tokasının yan kısımlarına yerleştirin.  
24 Serbest bırakmak için kasık tokası üzerindeki butona basın.

#### KOLTUĞUN GÖVDE ÜZERİNE YERLEŞTİRİLMESİ

- 25 Aksesuar Yerleştirme Bağlantılarını bebek arabası gövdesiyle aynı hizaya getirin.  
26 Tık sesiyle yerine oturana dek bağlantı yerlerine koltuğu itin. Kullanım öncesinde koltuğun her iki tarafının da çerçeve üzerine güvenli bir şekilde bağlandığından emin olun.

NOT: Koltuk, öne veya arkaya bakacak şekilde takılabilir.

#### KOLTUĞUN ÇIKARILMASI

- 27 Yerleştirme Bağlantıları üzerindeki gri noktalara basın ve yukarı çekin.

**⚠ UYARI:** Koltuğu gövdeden çıkarmadan önce, her zaman çocuğunuzu koltuktan alın.

#### KOLTUĞUN ARKAYA YATIRILMASI

- 28 Koltuğun üst kısmında, gölge için arkasındaki Koltuk Yatırma Kolunu kaldırın.  
29 İstenen konuma tık sesiyle gelene dek koltuğu aşağı indirmek için kolu aşağı, yukarı kaldırmak için ise aşağı çekin.  
KOL YÜKSEKLİĞİNİN AYARLANMASI  
30 Kol Ayarlama Butonunu sıkın ve kolu istenen yüksekliğe göre aşağı veya yukarı kaydırın.

#### AYARLANABİLİR AYAK BOŞLUĞU

- 31 Açığı ayarlayın: Ayak Boşluğu üzerindeki Ayarlama Butonlarına basarak, istenen konuma tık sesiyle gelene dek aşağı veya yukarı hareket ettirin.

#### SEPETİN ÇIKARILMASI

- 32 Sepetin üst kopçalarını, gövdenin orta destek çubuğunun etrafından çözün. Ardından, alt kopçaları gövdenin yan destek çubuklarının etrafından çözün.  
33 Üst ön plastik ilmeği, gövdenin ön kısmındaki metal topuzun üstünden geçirerek çıkarın. Diğer taraf için işlemi tekrar edin.

#### KATLAMA

- Çocuğunuzu koltuktan alın.
- Bebek arabası, koltuk takılıyken veya takılı değilken ve öne veya arkaya bakacak şekilde katlanabilir.
- Arkaya bakan bir şekilde katlarken, katlamadan önce koltuğun tamamen arkaya yatırılması önerilir.

- Koltuğu en kompakt şekilde katlamak için daima en dik pozisyona ve öne bakar konuma getirin.

- 34 Koltuğun ayak boşluğundan yukarı doğru çekin ve koltuğu yukarıya doğru katlayın.

- 35 Hızlı katlama kollarını yukarı çekin ve gövdenin aşağı çökmesini sağlayın. Hızlı kapanan kolları daha kolay kaldırabilmek için bebek arabası çerçevesini başparmağınız ile aşağıya doğru itin. Saklama kilidi kolunun yerine tık sesiyle girdiğinden emin olun.

#### KOLTUK KUMAŞININ ÇIKARILMASI

- 36 Koltuk kumaşını, koltuk gövdesinden çözün.

- 37 Koltuğun arka kısmından, cırt cırt kısmını çıkarın ve kemeri D halkasından kaydırın.

- 38 Ayak Boşluğu Ayarlama Tuşlarına basın ve Ayak Boşluğunu çekerek ayak boşluğu çubuğunu koltuk gövdesinden ayırın. Koltuk kumaşını Ayak Boşluğu çubuğundaki boşluktan çekerek çıkarın.

# BAKIM

Bebek arabasının ömrünü uzun tutmak için basit, düzenli bakımlar gerçekleştirmek önemlidir. Zaman zaman, bağlantı yerlerinin ve katlama alanlarının hala iyi durumda olduğundan emin olun. Eğer gıcırtı duyarsanız veya gerilim hissederseniz, yağlama için bebek arabanızı yakındaki bir bisikletçiye götürebilirsiniz. Tüm onarımlar, yetkili bir satıcı tarafından yapılmalıdır.

## YIKAMA

### Koltuk Kumaşı

- Bebek arabanızın koltuğunu soğuk suda, hafif bir deterjanla yıkayabilirsiniz.
- Yıkamadan önce metal gövdeyi ve PE panolarını çıkardığınızdan emin olun.
- Solventleri, yakıcı veya aşındırıcı temizlik malzemelerini kullanmayın.
- Çekmeyi en aza indirmek için, koltuğu gövdeye tekrar takarak kurumaya bırakın.
- Kumaşı preslemeyin, ütölemeyin, kuru temizlemeye göndermeyin, tamburla kurutmayın veya döndürerek sıkmayın.
- Eğer koltuk kaplamalarının değişmesi gerekiyorsa, sadece Baby Jogger Yetkili Satıcısından alınan parçaları kullanın. Emniyet testinden geçtiği garanti altına alınmış ve bu koltuğa uyacak şekilde tasarlanmış tek koltuklar, bu koltuklar.

### Plastik/Metal Parçalar

- Az miktarda sabun ve ılık suyla silerek temizleyin.
- Koltuk katlama mekanizması veya frenlerin herhangi kısmını çıkarmamalı, parçalarına ayırmamalı veya değiştirmemelisiniz.

### Teker Bakımı

- Tekerlekler, nemli bir bez kullanılarak temizlenebilir. Bir yumuşak havlu veya bezle tamamen kurutulmaları gerekir.

## SAKLAMA

- Güneş ışığı, koltuk kumaşının rengini soldurabilir ve tekerleri kurutabilir, bu yüzden bebek arabasını iç mekanda saklamak, iyi görüntüsünü daha uzun süre koruyacaktır.
- Dışarıda SAKLAMAYINIZ.
- Uzun süre boyunca saklamadan önce bebek arabasının kuru olduğundan emin olun.
- Bebek arabasını her zaman kuru bir ortamda saklayın.
- Kullanılmadığında, bebek arabasını güvenli bir yerde (çocukların oynayamayacağı bir yerde) saklayın.
- Bebek arabasının üst kısmına ağır nesnelere YERLEŞTİRMEYİNİZ.
- Bebek arabasını radyatör veya ateş gibi direkt bir ısı kaynağının yakınında SAKLAMAYINIZ.

# BEBEK ARABANIZI AŞAĞIDAKİ ADRESTEN KAYDEDİN

[www.babyjogger.com/register](http://www.babyjogger.com/register)

## Baby Jogger'ın Sınırlı Hayat Boyu Garantisi:

Baby Jogger, ürünün ömrü boyunca gövdenin üretim hatalarından yoksun olduğunu garanti etmektedir. Üretim hataları arasında, kaynakların kırılması ve gövde tüpü hasarı bulunmaktadır; fakat bununla sınırlı değildir. Tekstil ve yumuşak materyaller ve tüm diğer bileşenler (tüpler ve tekerler hariç), alım tarihinden itibaren bir yıl boyunca garanti altına alınacaktır. Bir garanti talebinde bulunmak için satın almaya dair kanıt gerekmektedir ve garanti, sadece orijinal alıcıya sağlanır.

## BU GARANTİ AŞAĞIDAKİLERİ KAPSAMAZ:

- Normal yıpranma
- Korozyon veya pas
- Yanlış montaj veya orijinal tasarımla uyumsuz üçüncü taraf parçalarının veya aksesuarlarının takılması
- Kazara veya kısıtlı olarak zarar verilmesi, kötü kullanım veya ihmal veya yürüyen merdivenlerde kullanım.
- Ticari kullanım
- Ünitenin yanlış saklanması/bakımı

Bu garanti; özellikle direkt olmayan, kazara gerçekleşen veya dolaylı hasarları kapsamamaktadır. Ticarete elverişlilik ve belirli bir amaca uygunluğa yönelik garantiler, bu model için satın alma tarihindeki özel garanti süresine göredir. Bazı eyaletler kazara veya dolaylı hasarların dışarıda bırakılmasına veya sınırlandırılmasına izin vermemektedir; bu yüzden üstteki sınırlamalar veya dışlamalar sizin için geçerli olmayabilir. Bu garanti size belirli yasal haklar sağlamaktadır ve ayrıca, eyalete göre değişen farklı haklara da sahiptir. Yaşadığınız yerdeki yasal haklarınızı öğrenmek için, yerel veya genel tüketici işleri ofisine veya Savcılığa danışın.

Eğer bebek arabası Amerika Birleşik Devletleri dışında satın alınmışsa, size en yakın ülkenin dağıtıcısıyla iletişime geçin. Bu dağıtıcıların iletişim bilgileri, <http://www.babyjogger.com/retailers/#international> adresinde bulunabilir. Ürünün satın alındığı ülkenin dışındaki garanti talepleri, nakliye masraflarına yol açabilir.



NOT: Bebek arabanızla alakalı olarak Baby Jogger dağıtıcınızla iletişim kurarken, lütfen bebek arabasının seri numarasını ve üretim tarihini hazır bulundurun. Bu bilgileri, sağ katlama mekanizması üzerinde bulabilirsiniz.

# سجل عربة الأطفال الخاصة بك عبر الإنترنت مباشرة على الموقع التالي [www.babyjogger.com/register](http://www.babyjogger.com/register)

ضمان بيبي جوجر "Baby Jogger" المحدود مدي الحياة:

تتعهد شركة بيبي جوجر "Baby Jogger" بأن يكون الإطار خال من عيوب الصناعة خلال العمر الافتراضي للمنتج. تشمل عيوب الصناعة ولا تقتصر على كسر وصلات اللحام وتلف الإطار الأنوبي. سيشمل الضمان القماش أو المواد اللينة الجانبية وكل المكونات الأخرى لمدة عام من تاريخ الشراء (باستثناء الأنابيب والإطارات). يطلب دليل الشراء لعمل إجراءات المطالبة بالضمان ويتم تمديده فقط إلى المشتري الأصلي.

لا يغطي الضمان ما يلي:

- البلى العادي الناجم عن الاستعمال
- التآكل أو الصدأ
- التركيب غير الصحيح، أو تركيب قطع غيار من طرف ثالث أو الملحقات غير المتوافق مع التصميم الأصلي
- الأضرار العرضية أو المتعمدة، سوء الاستعمال أو الإهمال، أو استخدام المنتج على الدرج أو السلالم المتحركة.
- الاستخدام التجاري
- إجراءات التخزين/العناية غير اللائقة.

ويستثنى هذا الضمان على وجه التحديد المطالبات بالتعويض عن الأضرار غير المباشرة أو العرضية أو التبعية. الضمانات الضمنية للزوج وصلاحيه الأغراض الخاصة وفقاً لفترة الضمان المحددة لهذه الوحدة النموذجية وقت الشراء. بعض الولايات لا تسمح باستثناء أو تحديد الأضرار العرضية أو اللاحقة، لذا فإنه ربما لا تنطبق عليك القيود أو الاستثناءات المذكورة أعلاه. يمكنك هذا الضمان حقوقاً قانونية محددة، وقد يكون لك أيضاً حقوقاً أخرى قد تختلف من ولاية لأخرى. راجع مكتب شؤون المستهلك المحلي أو الدولي الخاص بك أو المسؤول القانوني في الولاية الخاصة بك لمعرفة حقوقك القانونية.

يرجى الاتصال بأقرب موزع في بلدك إذا تم شراء عربة الأطفال الخاصة بك من خارج الولايات المتحدة الأمريكية. يمكن الإطلاع على معلومات الاتصال الخاصة بهم على موقعنا التالي <http://www.babyjogger.com> قد تكلفك مطالبات الضمان خارج البلد التي تم شراء المنتج منها رسوم الشحن.

ملاحظة: يرجى إعداد الرقم التسلسلي الخاص بعربة الأطفال خاصتك وتاريخ التصنيع عند الاتصال بموزع بيبي جوجر "Baby Jogger" بخصوص عربة الأطفال الخاصة بك. يمكن العثور على الرقم التسلسلي وتاريخ الإنتاج عند تركيب أجزاء الطي اليمنى.

معلومات اتصال خدمة العملاء:

البريد الإلكتروني: [Customerservice@babyjogger.com](mailto:Customerservice@babyjogger.com)

الهاتف: 1-800-241-1848

8:30 ص إلى 5:30 م بتوقيت شرق الولايات المتحدة، الإثنين - الجمعة

الفاكس: 1-804-262-6277

العنوان: Baby Jogger, LLC

4110 Premier Drive

High Point, NC 27265

[www.babyjogger.com](http://www.babyjogger.com)



## العناية والصيانة

### التخزين

- تخزين عربة الأطفال الخاصة بك داخل المنزل سيطيل من العمر الافتراضي لمظهرها الجيد، حيث يمكن لأشعة الشمس أن تزيل لون القماش وتجفف الإطارات.
- لا تقم بتخزين عربة الأطفال خارج المنزل.
- تحقق من تجفيف عربة الأطفال قبل تخزينها لفترات زمنية طويلة.
- قم دائماً بتخزين عربة الأطفال في بيئة جافة.
- خزن عربة الأطفال في مكان آمن عندما لا تكون قيد الاستخدام (بحيث لا يمكن للأطفال العبث فيها).
- لا تضع الأشياء الثقيلة على الجزء العلوي من عربة الأطفال.
- لا تخزن عربة الأطفال بالقرب من مصدر مباشر للحرارة مثل الرادياتير أو النار.

الوصلات والمناطق القابلة للطي لا تزال في حالة جيدة. يمكنك أخذ عربة الأطفال الخاصة بك لمتجر دراجات محلي للقيام بإجراءات التشحيم إذا سمعت أي صرير أو شعرت بنوتر. ينبغي إجراء جميع الإصلاحات من قبل وكيل مُعتمد.

### الغسل

#### لآخر أن

- يمكنك غسل قماش مقعد عربة الأطفال الخاصة بك في مغسلة وذلك في ماء بارد ومُطهر مخفف.
- تأكد من إزالة الإطار المعدني وألواح PE من المقعد قبل الغسل.
- لا تستخدم المذيبات، المواد الكاوية أو مواد التنظيف الكاشطة.
- قم بإعادة تركيب المقعد في الإطار ليُجف وذلك للحد من الانكماش.
- لا تقم بكي القماش أو تنظيفه بشكل جاف أو تنشيفه أو عصره.
- استخدم قطع الغيار المُعتمدة فقط من قبل وكيل بيبي جوجر "Baby Jogger" إذا كانت أغطية المقعد بحاجة لأن تُستبدل. تعد أغطية المقعد هذه الوحيدة المختبرة والمُصممة خصيصاً لكي تناسب هذا المقعد بشكل آمن.

#### قطع الغيار المعدنية/البلاستيكية

- امسح عربة الأطفال بواسطة استخدام صابون مُخفف وماء دافئ.
- يجب ألا تقوم بإزالة، تفكيك أو تغيير أي جزء من أجزاء آلية طي المقعد أو الفرامل.

#### العناية بالعجلات

- يمكن تنظيف العجلات باستخدام قطعة مُبللة من القماش. وستكون بحاجة للتجفيف تماماً بمنشفة ناعمة من القماش.

- 33 حل الحلقة البلاستيكية الأمامية العلوية من أعلى المقبض المعدني الموجود على الجزء الأمامي من الإطار. كرر نفس الإجراءات على الجانب الآخر.
- الطي
- قم بإزالة طفلك من المقعد.
  - يمكن طي عربة الأطفال مع أو دون المقعد المرفق، بحيث تكون مواجهة للأمام أو الخلف.
  - من المُستحسن أن يكون المقعد مائلاً تماماً إلى الخلف قبل طيه.
  - قم دائماً باتكاء المقعد لأقصى موضع مستقيم وتثبيتته في الموضع المواجه للأمام للحصول على أكثر طي مدمج.
- 34 اسحب لأعلي مواضع القدم وقم بطي المقعد لأعلي.
- 35 اسحب لأعلي مقابض الطي السريع وحل الإطار. ضغظ لأسفل بأصبع الإبهام على إطار عربة الأطفال لتسهيل عملية رفع مقابض الطي السريع تأكد من أن ذراع قفل التخزين مُستقرًا في مكانه.
- إزالة قماش المقعد
- 36 قم بفك قماش المقعد من إطار المقعد.
- 37 حل الخطاف والحلقة وحرك الشريط حول الحلقة المتخذة شكل حرف D من ظهر المقعد.
- 38 اضغظ أزرار ضبط فتحات مستوى القدم واسحب فتحات مستوى القدم لإزالة قضيب الخاص بها من إطار المقعد. اسحب قماش المقعد خارج قناة قضيب فتحات موضع القدم.
- تحذير: استخدم دائماً الحزام المُنتسب مع أحزمة الكتف وحزام الخصر.
- 20 حرك بطانة حمالة الأمان لأعلي للوصول إلى أداة التوجيه البلاستيكية الموجودة على الحزام.
- 21 ثبت أداة التوجيه البلاستيكية واسحب الشريط استخدام حمالة الأمان
- 22 ادخل إبرزيم الحمالة الجانبي في إبرزيم الشريط الموجود على كلا الجانبين.
- 23 ادخل الحمالة المتصلة وأبازيم الشريط الجانبية في جانبي الإبزيم المُنتسب.
- 24 اضغظ الزر الموجود على الإبزيم المنتسب للتحريك.
- طريقة وضع المقعد في الإطار
- 25 قم بمحاذاة كُتيفات التثبيت الملحقة مع كُتيفات التثبيت الموجودة على إطار عربة الأطفال.
- 26 حرك المقعد نحو الكُتيفات حتى يستقر في مكانة. تأكد من أن كلا جانبي المقعد مُثبتان بشكل آمن في الإطار قبل الاستخدام.
- ملاحظة: يمكن تركيب المقعد بحيث يكون إما مواجهًا للأمام أو الخلف.
- إزالة المقعد
- 27 اضغظ العلامات الرمادية الموجودة على كُتيفات التثبيت واسحب لأعلي.
- تحذير: قم دائماً بإزالة طفلك من المقعد قبل إزالة المقعد من الإطار.
- اتكاء المقعد
- 28 ارفع ذراع اتكاء المقعد الموجود في الجزء العلوي من المقعد خلف المظلة.
- 29 اسحب لأسفل لخفض المقعد واسحب لأعلي لرفع المقعد حتى يستقر في الموضع المرغوب.
- ضبط ارتفاع المقبض
- 30 اضغظ برفق زر ضبط المقبض وحرك المقبض لأعلي أو لأسفل إلى الطول المرغوب.
- فتحات مستوى القدم القابلة للضبط
- 31 ضبط الزاوية: اضغظ أزرار الضبط الموجودة في فتحات مستوى القدم وحركها لأعلي أو لأسفل حتى تستقر في الموضع المرغوب.
- إزالة السلة
- 32 حل الأقفال العلوية للسلة والموجودة حول قضيب الدعم المتوسط من الإطار. ثم حل أقفال الزر الموجود حول قضبان الدعم الجانبية من الإطار.

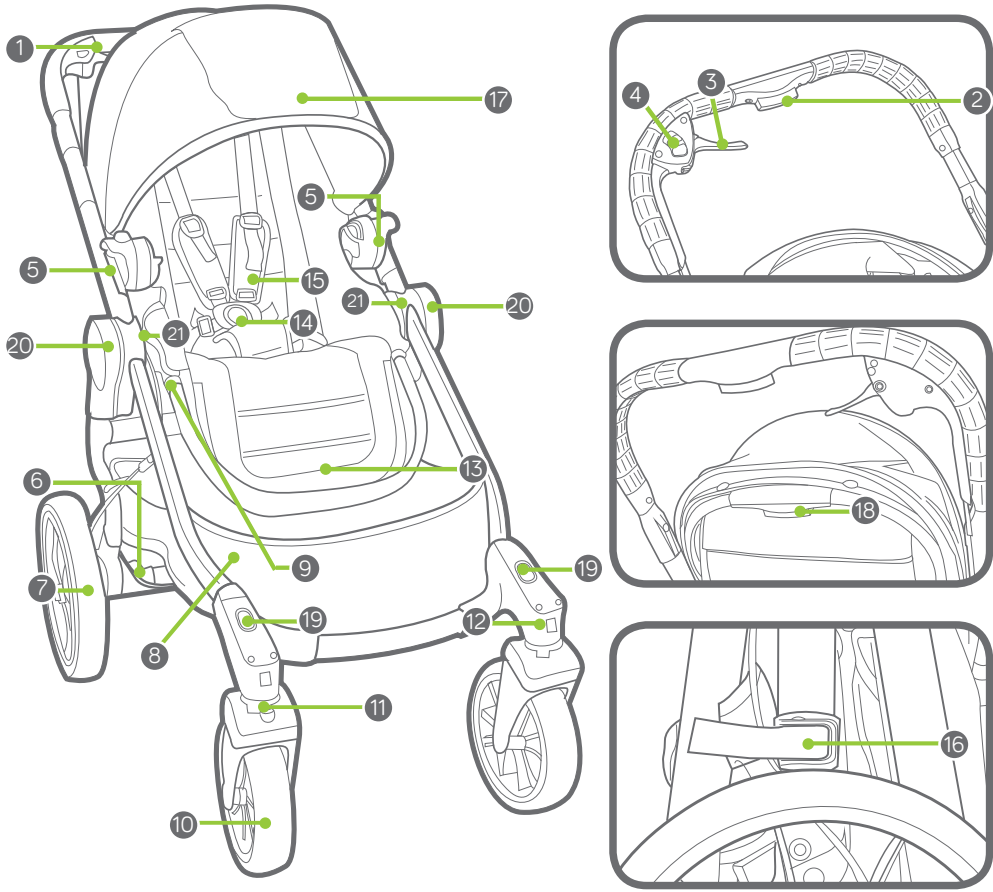
## الإطار

- 1 أفرغ محتويات إطار عربية الأطفال من الصندوق وضع العجلات جانباً. افتح قفل عربية الأطفال عن طريق سحب ذراع قفل التخزين.
  - 2 ارفع المقود بعيداً عن الإطار السفلي. ستستقر عربية الأطفال في مكانها مُحدثاً صوت "نقرة".
  - 3 ضع عربية الأطفال في الوضع القائم. **⚠️** تحذير: تأكد من أن كل أجهزة القفل مُعشقة قبل الاستخدام.
  - العجلة الأمامية
  - 4 التركيب
    - ضع عربية الأطفال على ظهرها بحيث يستقر المقود على الأرض.
    - ارفق العجلة الأمامية عن طريق زلقها في منصة تثبيت العجلة حتى تستقر في مكانها.
    - اسحب العجلة الأمامية برفق للتأكد من ربطها بشكل صحيح.
  - 5 الإزالة
    - حرك برفق العجلة الأمامية خارج منصة تثبيت العجلة الأمامية أثناء الضغط على زر تحرير العجلة الأمامية.
  - ميزة التدوير
  - 6 اضغط زر قفل التدوير لأسفل وحرك قفل التدوير إلى اليسار لقفل مجموعة العجلة الأمامية في الموضع الثابت للسير لمسافات طويلة.
  - 7 اضغط زر قفل التدوير لأسفل وحرك قفل التدوير إلى اليمين للسماح بمجموعة العجلة الأمامية للدوران. **⚠️** تحذير: اقل العجلة الأمامية في الموضع الثابت عند وضع أو إزالة الطفل من عربية الأطفال. على الرغم من أن إمكانية انغلاق العجلة الأمامية لعربة الأطفال، إلا أنها غير مُعدة للاستخدام في أغراض الركض أو ممارسة التمارين الرياضية.
  - العجلات الخلفية
  - 8 التركيب
    - حاذي محور العجلة الخلفية مع منصة تثبيت العجلة الموجودة في إطار عربية الأطفال وادخله حتى يستقر في مكانه.
    - اسحب العجلة الخلفية برفق للتأكد من ربطها بشكل صحيح.
  - 9 الإزالة
    - حرك برفق العجلة الخلفية خارج منصة تثبيت العجلة أثناء الضغط على زر تحرير العجلة.
- فرامل
- 10 اضغط على ذراع الفرامل لتعشيق الفرامل
  - 11 لقفل فرامل التوقف: ادفع برفق ذراع الفرامل للأمام حتى يستقر في مكانه.
  - 12 لتحرير فرامل الانتظار: اسحب زر تحرير فرامل الانتظار نحوك.
  - 13 **⚠️** تحذير: اقل الفرامل قبل وضع أو إزالة طفلك من عربة الأطفال عندما تكون ثابتة.
  - 13 قد تحتاج لضبط فرامل العربة، إذا كانت العجلات الخلفية لا تتوقف بالتساوي. يجب تشديد فرامل العجلة التي تواصل الدوران أثناء إطباق الفرامل. ثبت جهاز تعديل المكبح مع تحرير الفرامل. (A) على محور العجلة لضبط حلقة (B) حرر حلقة الفرامل القصيرة فك حلقة الأسطوانة. (C) الاسطوانة الطويلة الطويلة بحيث تكون بعيدة عن محور العجلة لإحكام شد الكابل. (الرجاء عدم إحكام (A) الربط أكثر مما ينبغي!) لقفل الحلقات، احكم ناحية محور العجلة (B) ربط الحلقة القصيرة (C) مع تثبيت حلقة الأسطوانة الطويلة (A) في مكانها
  - اضغط فرامل اليد تدريجياً لتعطيك تحكم أفضل على عربة طفلك
  - المقعد - بسط المقعد
  - 14 ثبت فتحات مستوى القدم والجزء العلوي من المقعد، ثم افتح المقعد.
  - 15 سيثبت المقعد على وضع الفتح.
  - المظلة
  - 16 اربط المظلة بالإطار: اربط كُتيفات المظلة بجانبي إطار المقعد.
  - 17 اربط أشرطة التثبيت 2 بالمظلة في الجزء العلوي من المقعد.
  - ضبط حمالة الأمان
  - 18 حل أشرطة التثبيت وافتح الجيب الموجود في ظهر المقعد لتحديد موقع أداة الإيقاف البلاستيكية المربعة. أدر أداة الإيقاف ومررها عبر الفتحات الموجودة في لوحة PE وقماش المقعد.
  - 19 اعد تركيب أداة الإيقاف في فتحة المقعد الأقرب لكتفي الطفل. مرر مرة أخرى إلى الخلف من خلال قماش المقعد ولوحة PE. اسحب الحزام لضمان إقفال أداة الإيقاف. كرر ذلك على كلا الجانبين.
  - 19 **⚠️** تحذير: تجنب الإصابة الخطيرة جراء السقوط أو الانزلاق إلى الخارج. قم دائماً بضبط وإحكام ربط أشرطة الأمان بشكل صحيح.

## تحذير

- ▲ هام -احتفظ بهذه التعليمات لتكون مرجعاً لك في المستقبل.
- ▲ يرجى قراءة هذه التعليمات بعناية قبل الاستخدام. قد تتأثر سلامة طفلك إذا لم تتبع هذه التعليمات.
- عربة الأطفال الفردية
  - يتسع مقعد هذه العربة لطفل واحد فقط.
  - ▲ تحذير هذا المقعد غير مناسباً للأطفال أقل من 6 أشهر. الحد الأقصى للوزن 15 كجم ؛ الحد الأقصى للارتفاع 101.6 سم.
  - إجمالي وزن الحمولة الموصى بها لهذه العربة 28 كجم. 15 كجم في المقعد، 1 كجم في الجيب الخلفي للمقعد و 7 كجم في السلة.
  - ▲ تحذير: هذه العربة غير مناسبة للتسارع، الركض، التزلج أو التزلج.
  - ▲ تحذير: لا تترك طفلك ابداً دون مراقبة.
  - ▲ تحذير: استخدم دائماً نظام التنبيت.
  - ▲ نم لفطالاً نكسمتي نأ درجرب ريخست مدخستسأ قءعاسم نود سولجلأ.
  - ▲ تحذير: تحقق من تشبيك أدوات هيكل العربة أو وحدة المقعد أو أدوات ربط هيكل المقعد بشكل صحيح قبل الاستخدام.
  - ▲ تحذير: تأكد من إبقاء الأطفال بعيداً عند القيام ببسط وطي هذا المنتج لتجنب إلحاق الإصابة بهم.
  - ▲ تحذير: اقل الفرامل قبل ركوب ونزول طفلك وكلما كانت العربة متوقفة.
  - تحذير: تأكد من عمل جميع أجهزة القفل قبل الاستخدام.
  - ▲ تحذير: لا تدع الاطفال يعبثون بهذا المنتج.
- ▲ تحذير: قد تتسبب الحزم أو العناصر الملحقة الموضوعه داخل الوحدة في عدم استقرارها.
- ▲ تحذير: قد تؤثر أي حمولة يتم تعليقها في مقبض الدفع على استقرار العربة.
- يجب استخدام هذا المقعد في أقصى موضع للالتكاء حتى يصبح الطفل قادراً على الجلوس دون مساعدة، حيث يمكن أن يتدحرج أو يدفع نفسه تلقائياً ويقع على يديه وركبتيه.
- ليس من المفترض استخدام عربة الأطفال هذه لنقل الأطفال للصعود أو الهبوط من الدرج أو السلالم المتحركة، لن يغطي الضمان الأضرار التي قد تلحق بعربة الأطفال جراء القيام بذلك.
- لا تحل عربة الأطفال هذه محل السرير أو السرير النقال. ينبغي وضع طفلك في عربة أطفال أو سرير نقال أو سرير مناسب عندما يكون بحاجة إلى النوم.
- لا يجوز استخدام الملحقات غير المعتمدة من قبل شركة بيبى جوغر "Baby Jogger".
- احذر دائماً من السيارات -ولا تفترض ابداً أن هناك سائق بإمكانه رؤيتك ورؤية طفلك.
- ينبغي أن يظل الطفل جالساً في عربة الأطفال (لا يسمح بالوقوف في عربة الأطفال).
- يعد استخدام قطع الغيار غير الموفرة من قبل الموردين الموصوفين أو شركة بيبى جوغر "Baby Jogger" أمراً غير آمناً.





- |    |                                 |    |                          |
|----|---------------------------------|----|--------------------------|
| 12 | زر تحرير العجلة الأمامية        | 1  | المقود                   |
| 13 | فتحات مستوى القدم               | 2  | زر تحرير فرامل الانتظار  |
| 14 | إبزيم حمالة الأمان              | 3  | فرملة الانتظار           |
| 15 | بطانة حمالة الأمان              | 4  | زر تحرير فرامل الانتظار  |
| 16 | قفل التخزين                     | 5  | كُتيقة تثبيت المقعد      |
| 17 | المظلة                          | 6  | زر تحرير العجلة الخلفية  |
| 18 | زر انكاء المقعد                 | 7  | العجلة الخلفية           |
| 19 | فتحات تثبيت مهائى المقعد الثاني | 8  | سلة التخزين              |
| 20 | مقابض الطي السريع               | 9  | زر ضبط فتحات مستوى القدم |
| 21 | فتحات تركيب الملحقات            | 10 | العجلة الأمامية          |
|    |                                 | 11 | القفل الدوار             |





**Imported for Baby Jogger in Europe by:**

KoolTrade Ltd • Unit 3, Orbital Way  
Denton, Manchester • United Kingdom M34 3QA

Bichos Atrevidos S.L.U. • CIF:B82998949  
Infante Don Luis 18, 28660 Boadilla-Madrid • Spain  
Tel. (+34) 91 485 5550

Haas Handelsagentur • Esbachgraben 4  
94563 Bindlach • Germany

Kidscom SA • 71m Millerou str.  
10436 Athens • Greece

Eleven Srl • Viale della navigazione interna 87/A  
35027 Noventa Padovana • PD • Italy

Pro Support Scandinavia AB • Fransgustavsgatan 2  
253 33 Vellinge • Sweden

Euro-Trade Spółka z ograniczoną odpowiedzialnością, Sp. K  
ul. Łokietka 155 • 31-263 Kraków • Poland

Euro-Trade Office, School & Baby Corporation  
Čs. armády 360 • 735 51 Bohumín-Pudlov • Czech Republic

Euro-Trade Office, School & Baby Corporation  
Dolné Rudiny 8363/5 • 010 01 Žilina • Slovakia

Alisa Company • 408 office • #26 Varshavskoye Shosse  
Varshavskoye Plaza • Moscow, Russia



Baby Jogger, LLC

6655 Peachtree-Dunwoody Rd. NE • Atlanta, GA 30328

[www.babyjogger.com](http://www.babyjogger.com)