

anex[®]

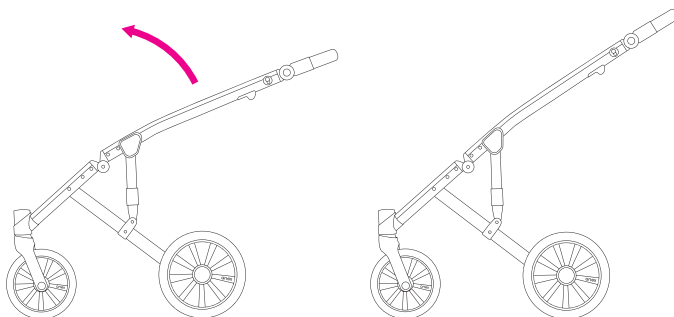
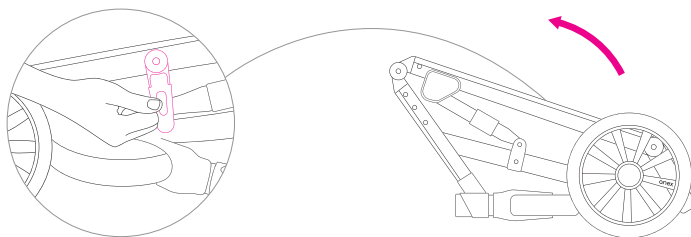
MAINTENANCE MANUAL
INSTRUKCJA OBSŁUGI
PŘÍRUČKA ÚDRŽBY
BEDIENUNGSANLEITUNG
MANUAL DE MANTENIMIENTO
KASUTUSJUHEND
MANUEL D'ENTRETIEN
MANUALE DI MANUTENZIONE
სერვისის ინსტრუქცია
PRIEŽIŪROS INSTRUKCIJA
LIETOŠANAS INSTRUKCIJA
ONDERHOUDSHANDLEIDING
MANUAL DE MANUTENÇÃO
INSTRUCȚIUNI DE ÎNTREȚINERE
ИНСТРУКЦИЯ ОБСЛУЖИВАНИЯ
UNDERHÅLLSMANUAL
PRÍRUČKA ÚDRŽBY
KULLANIM KILAVUZU
ІНСТРУКЦІЯ ОБСЛУГОВУВАННЯ
РЪКОВОДСТВО ЗА ПОДДРЪЖКА

m/type

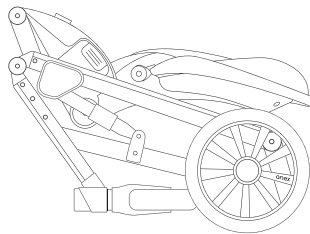
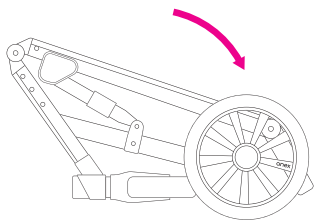
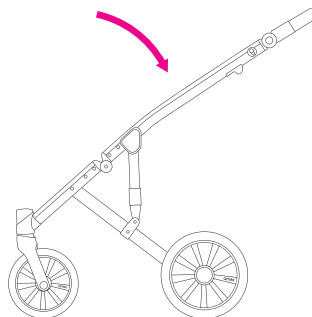
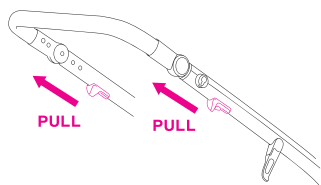
Unfolding the stroller	5
Folding the stroller	6
Handle regulation	7
Connection and disconnection of the axel and wheel	7
Assembly and disassembly of the front wheels	9
Locking front swivel wheels	9
Brake	10
Shock absorption	10
Basket removing	11
Assembling and disassembling of the carrycot	11
Hood adjustment	12
Hood ventilation	13
Carrycot ventilation	14
Carrycot footcover	14
Removing carrycot inside (cleaning)	15
Removing hood soft goods	15
Connection and disconnection of the seat	16
Seat hood adjustment/ventilation	17

Seat backrest adjustment	18
Footrest adjustment	19
Stroller's security barrier	20
Safety belts	21
Safety belts length adjustment	22
Safety belts height adjustment	22
Seat footcover	24
Removing seat hood	25
Removing seat soft goods	26
Connection and disconnection of the car seat adapter	28
Connection and disconnection of the car seat	29
Mosquito net	29
Rain cover	30
Backpack	30

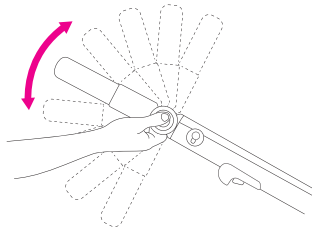
Unfolding the stroller



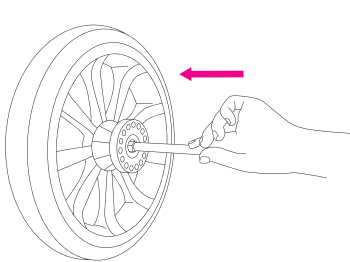
Folding the stroller



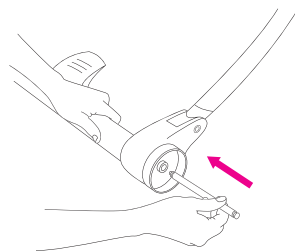
Handle regulation



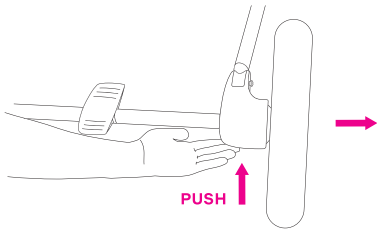
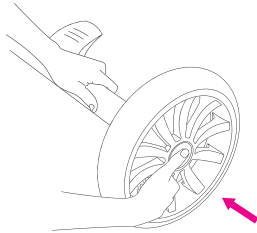
Connection and disconnection of the axel and wheel



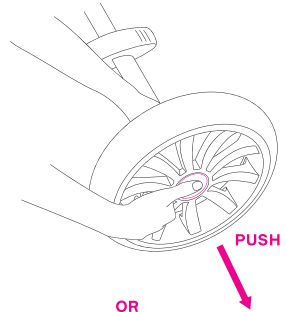
OR



OR

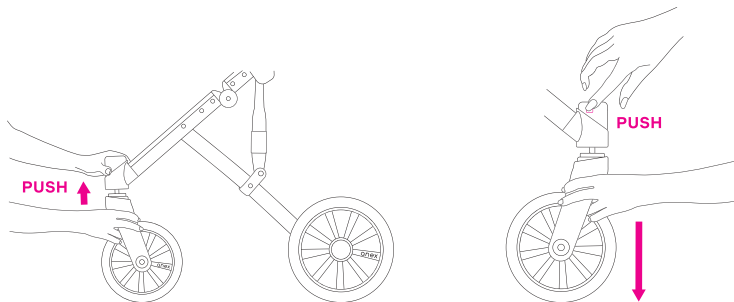


OR

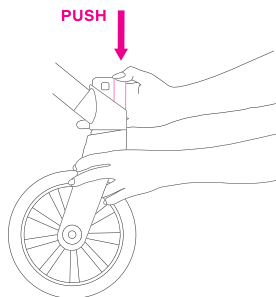


OR

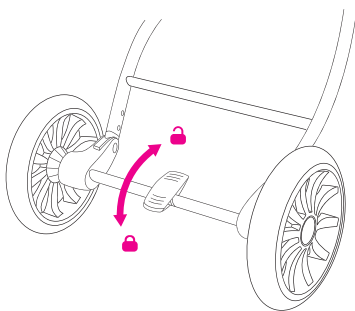
Assembly and disassembly of the front wheels



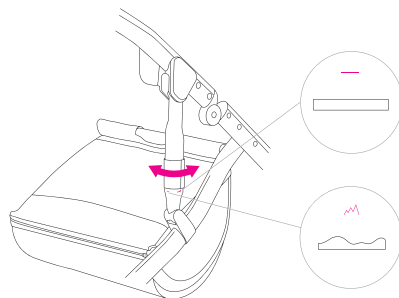
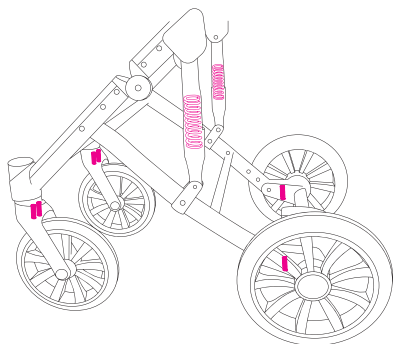
Locking front swivel wheels



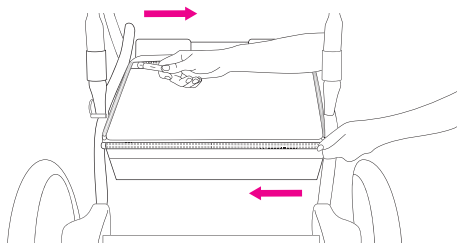
Brake



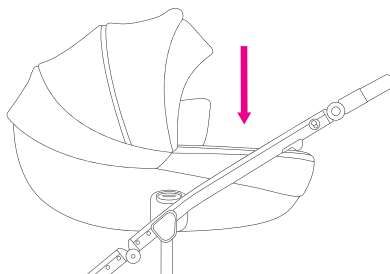
Shock absorption

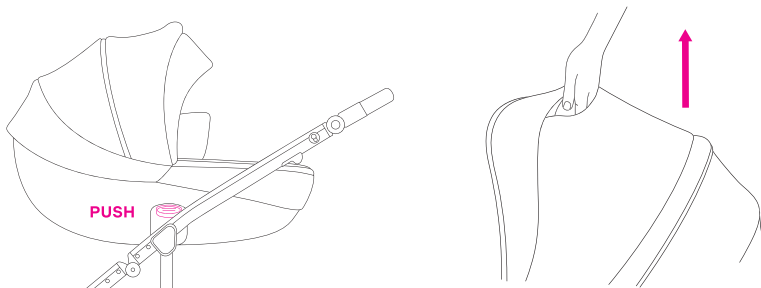


Basket removing

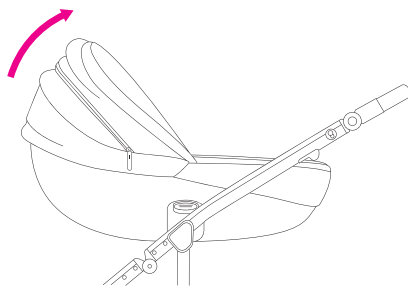


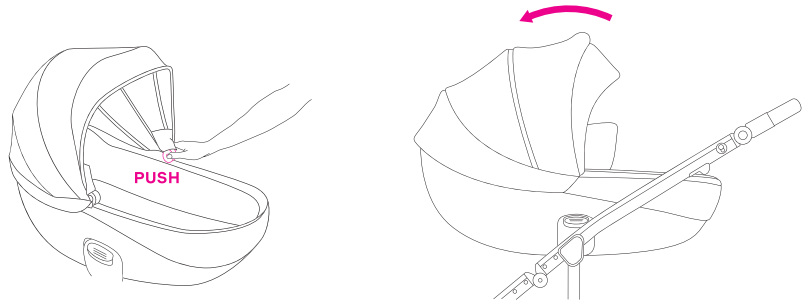
Assembling and disassembling of the carrycot



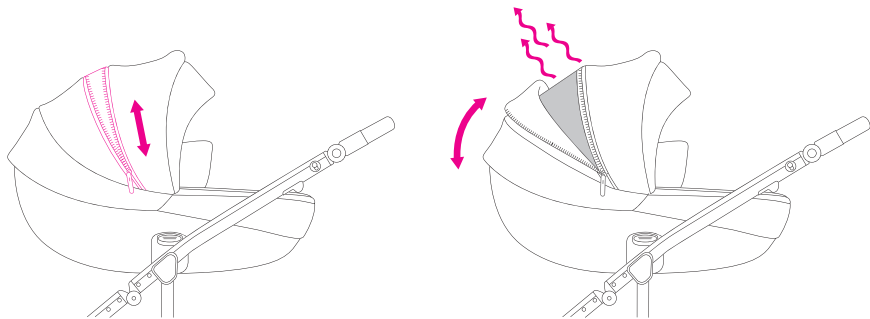


Hood adjustment

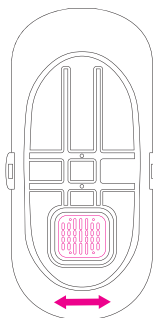




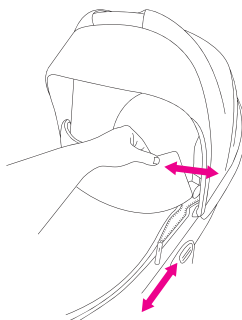
Hood ventilation



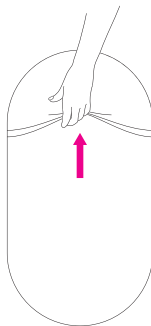
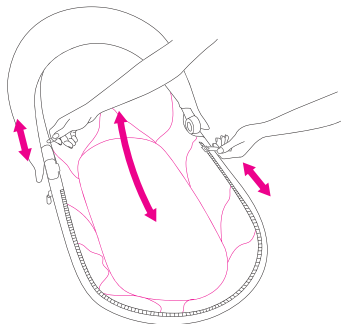
Carrycot ventilation



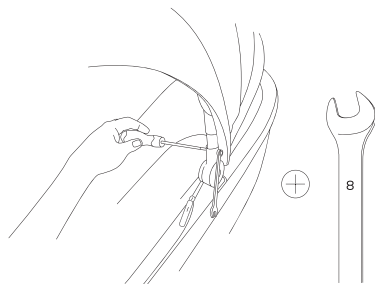
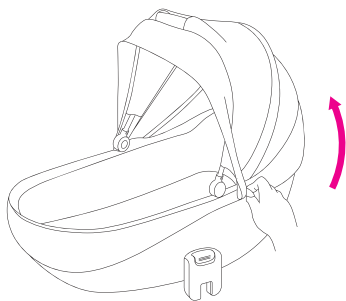
Carrycot footcover

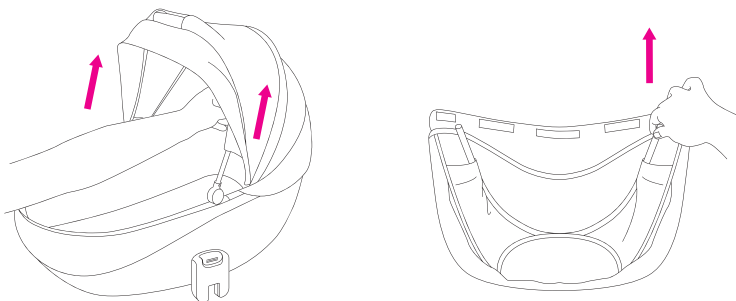


Removing carrycot inside (cleaning)

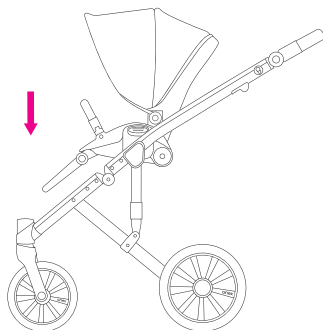


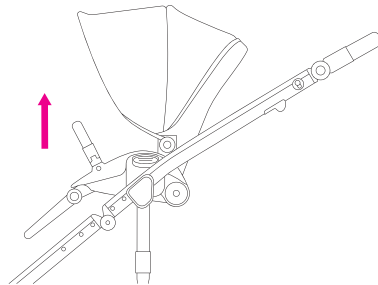
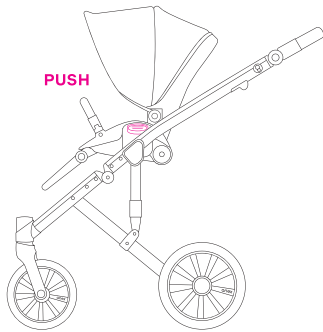
Removing hood soft goods



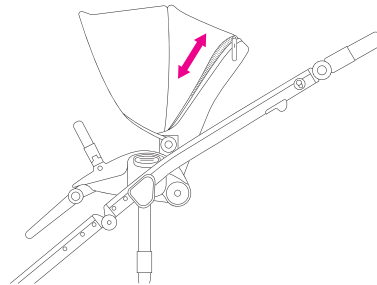
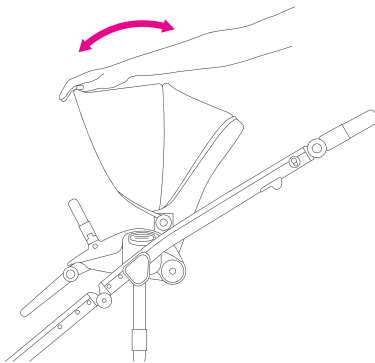


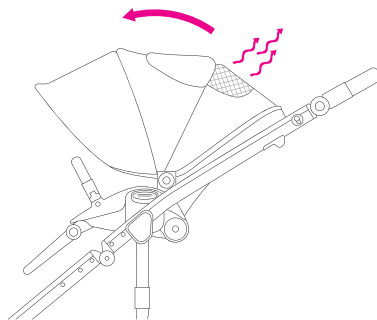
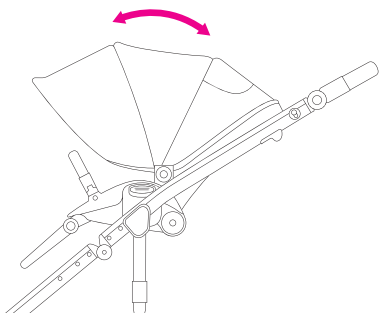
Connection and disconnection of the seat



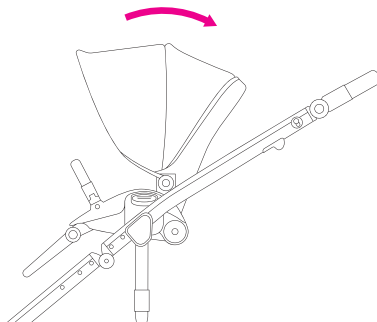
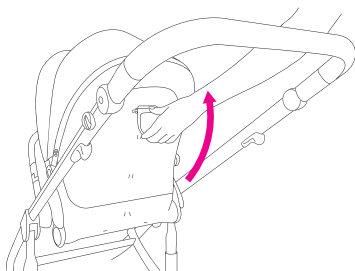


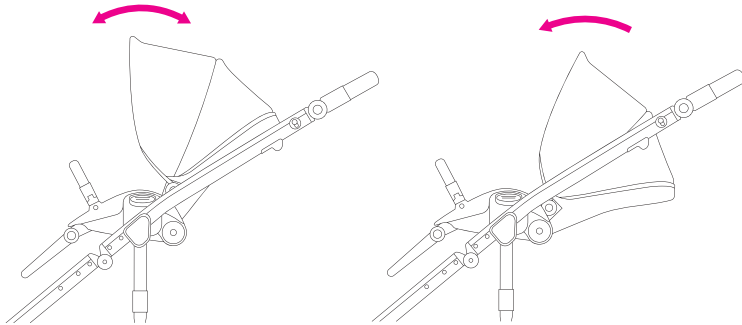
Seat hood adjustment/ventilation



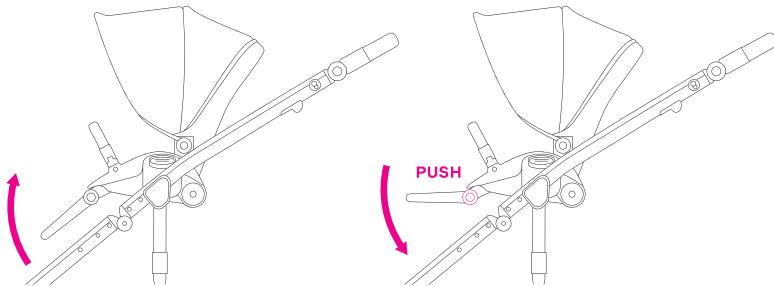


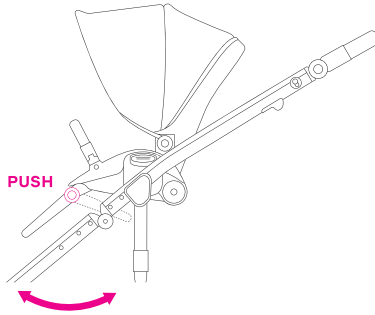
Seat backrest adjustment



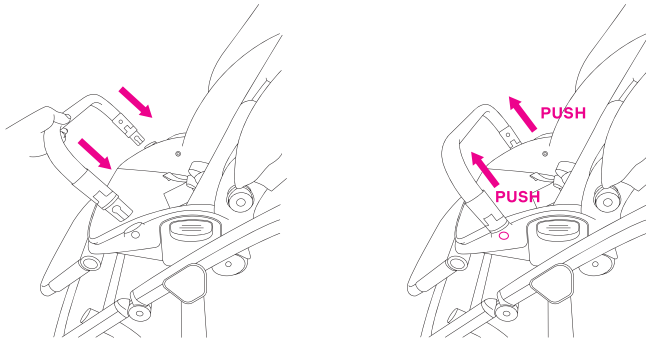


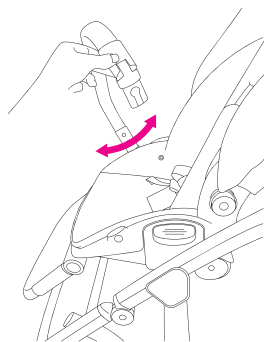
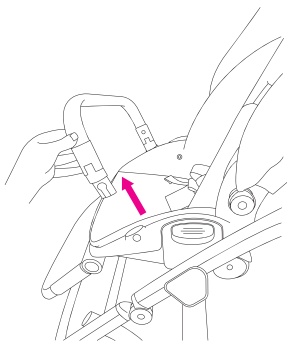
Footrest adjustment



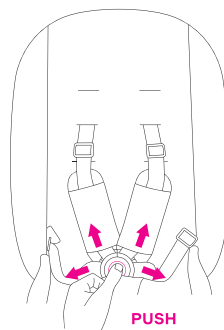
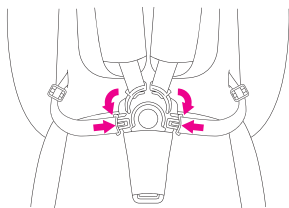


Stroller's security barrier

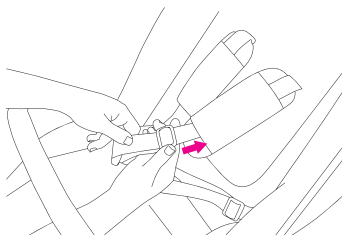




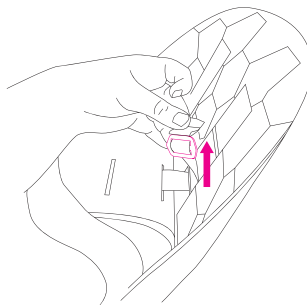
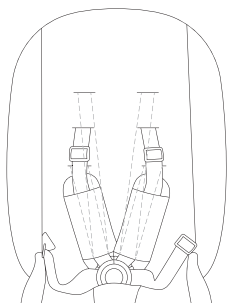
Safety belts

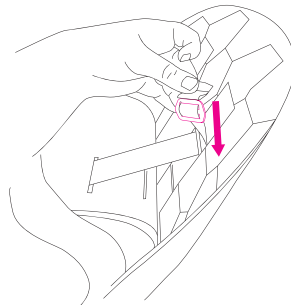
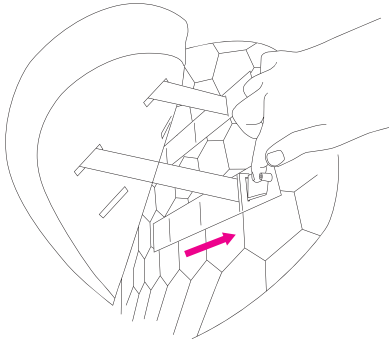
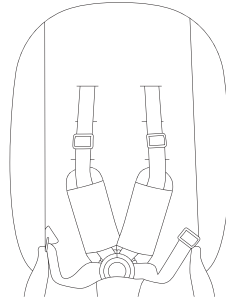
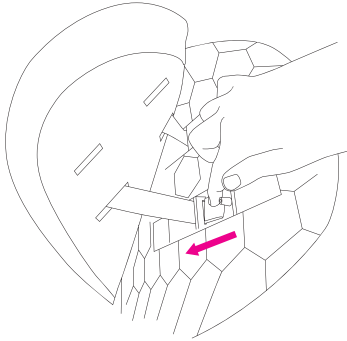


Safety belts length adjustment

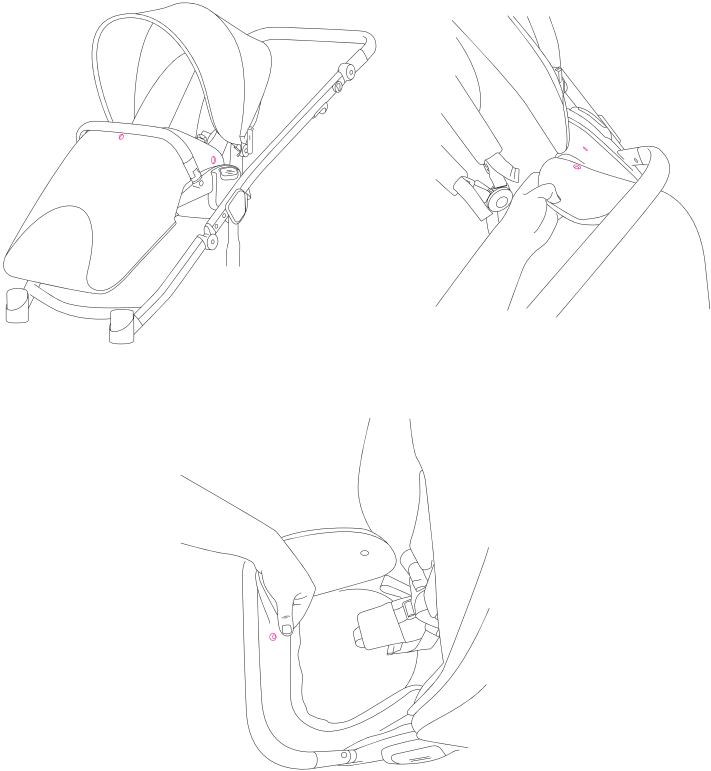


Safety belts height adjustment

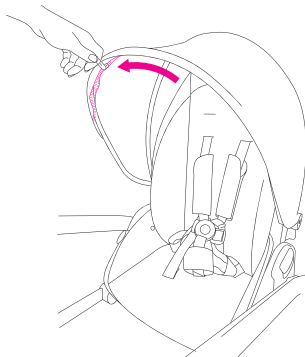
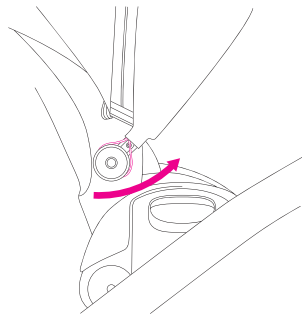
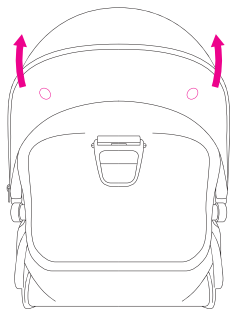




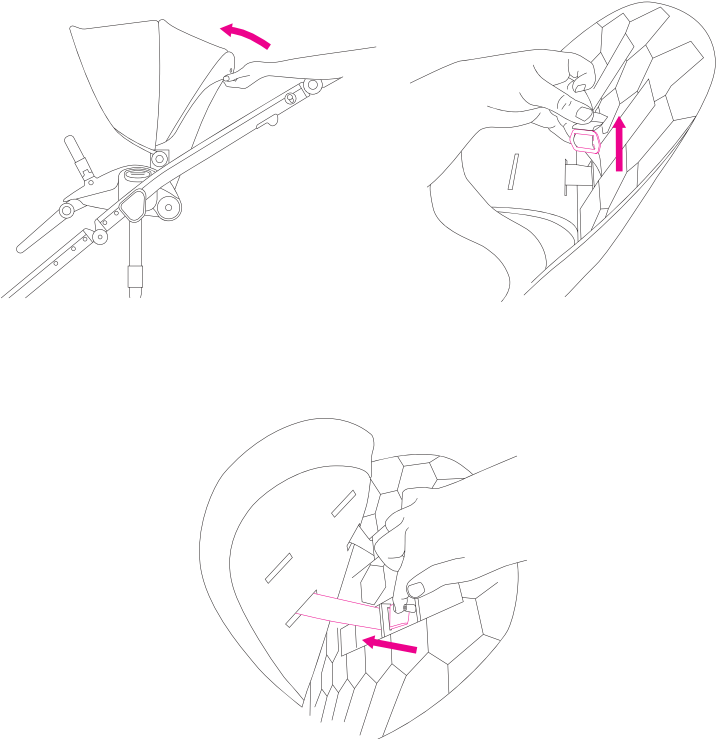
Seat footcover

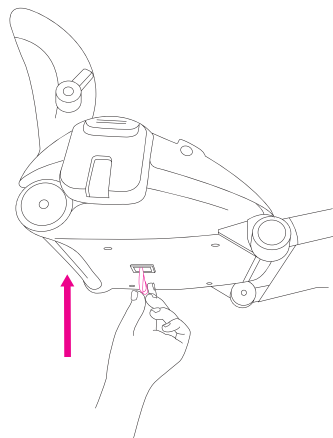
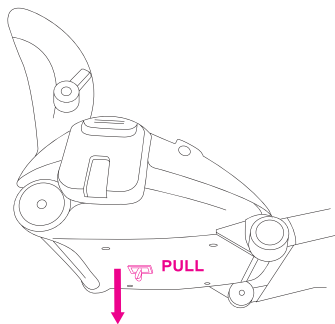
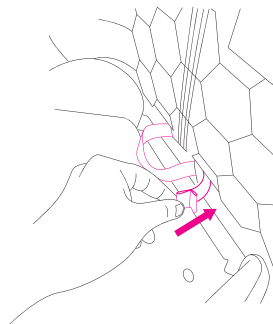
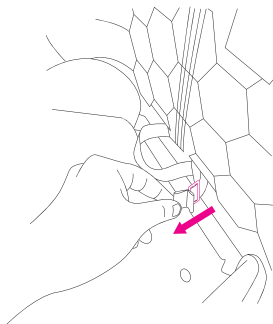


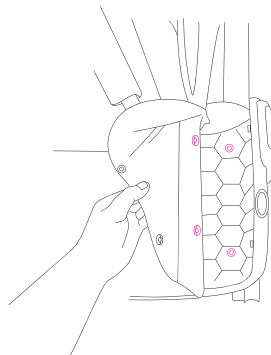
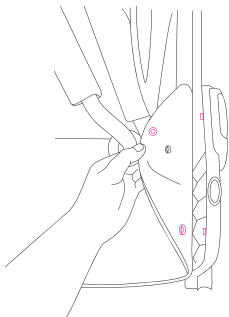
Removing seat hood



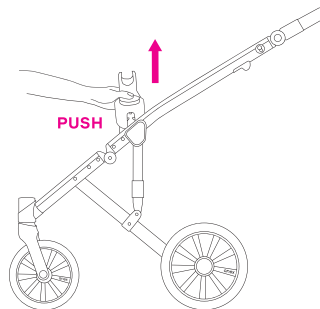
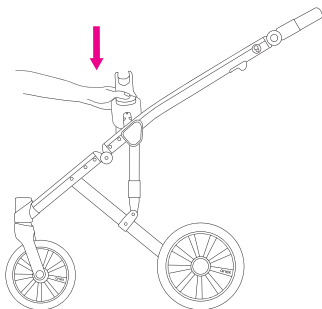
Removing seat soft goods



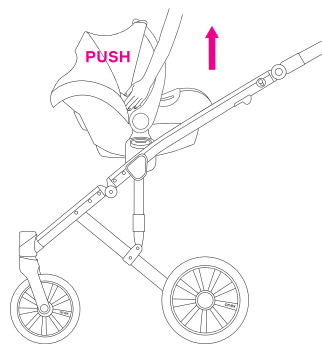
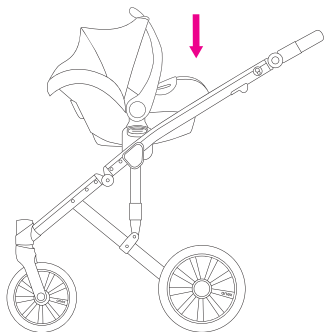




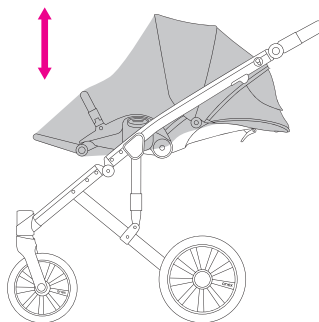
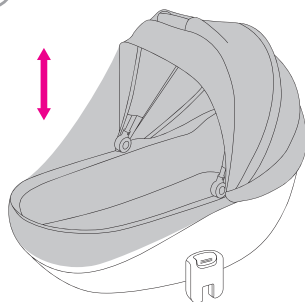
Connection and disconnection of the car seat adapter



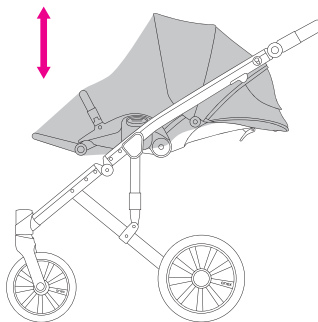
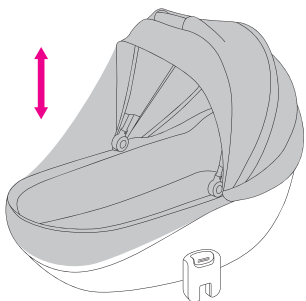
Connection and disconnection of the car seat



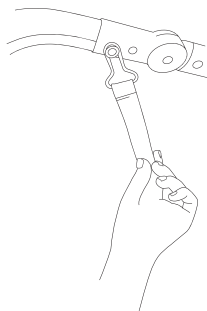
Mosquito net



Rain cover



Backpack



**Check for the most recent manuals
our website: anexbaby.com**

The information is subject to change without notice. Anex shall not be liable for technical errors or omissions contained in this manual. The purchased product may differ from the product as described in this manual.

Ideo Group LLC
Al. Solidarnosci 117
00-140 Warsaw, Poland
+48 22 211 67 08
office@anexbaby.com