

anex[®]

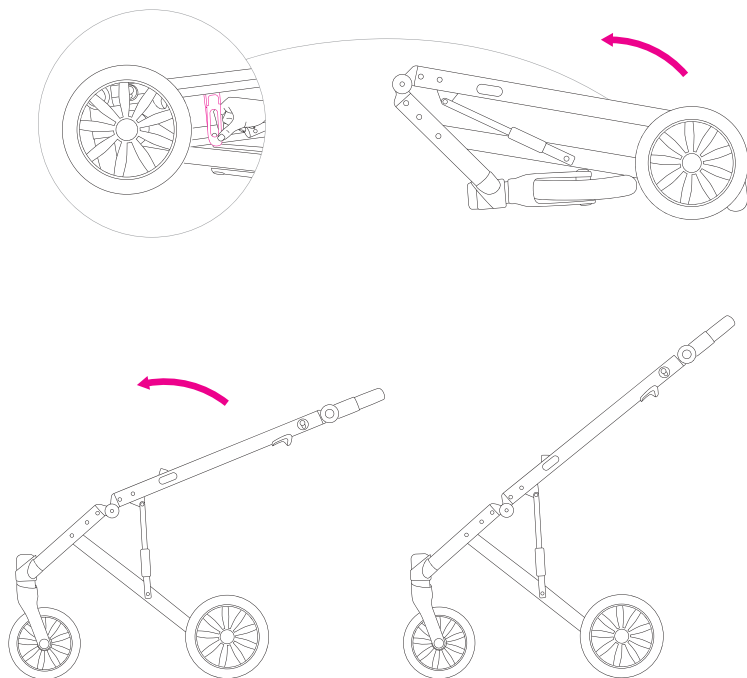
MAINTENANCE MANUAL
INSTRUKCJA OBSŁUGI
PŘÍRUČKA ÚDRŽBY
BEDIENUNGSANLEITUNG
MANUAL DE MANTENIMIENTO
KASUTUSJUHEND
MANUEL D'ENTRETIEN
MANUALE DI MANUTENZIONE
სერვისის ინსტრუქცია
PRIEŽIŪROS INSTRUKCIJA
LIETOŠANAS INSTRUKCIJA
ONDERHOUDSHANDLEIDING
MANUAL DE MANUTENÇÃO
INSTRUCȚIUNI DE ÎNTREȚINERE
ИНСТРУКЦИЯ ОБСЛУЖИВАНИЯ
UNDERHÅLLSMANUAL
PRÍRUČKA ÚDRŽBY
KULLANIM KILAVUZU
ІНСТРУКЦІЯ ОБСЛУГОВУВАННЯ
РЪКОВОДСТВО ЗА ПОДДРЪЖКА

e/type

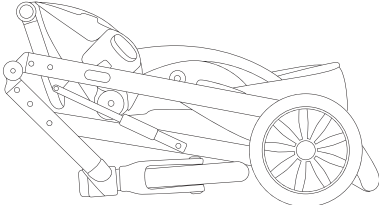
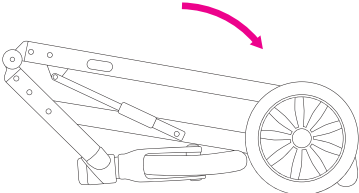
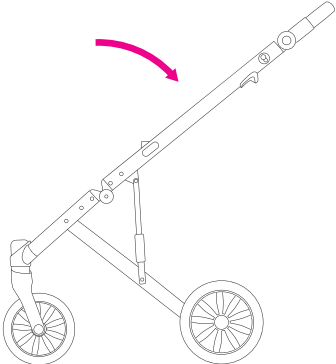
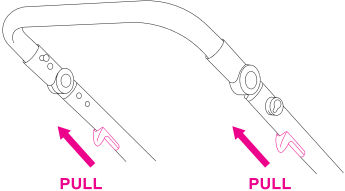
Unfolding the stroller	5
Folding the stroller	6
Handle regulation	7
Connection and disconnection of the axel and wheel	7
Assembly and disassembly of the front wheels	9
Locking front swivel wheels	9
Brake	10
Shock absorption	10
Basket removing	11
Assembling and disassembling of the carrycot	11
Hood adjustment	12
Hood ventilation	13
Carrycot ventilation	13
Carrycot footcover	14
Removing carrycot inside (cleaning)	14
Removing hood soft goods	15
Connection and disconnection of the seat	16
Seat hood adjustment/ventilation	17

Seat backrest adjustment _____	18
Footrest adjustment _____	19
Stroller's security barrier _____	20
Safety belts _____	21
Safety belts length adjustment _____	22
Safety belts height adjustment _____	22
Seat footcover _____	24
Removing seat hood _____	25
Removing seat soft goods _____	26
Connection and disconnection of the car seat adapter _____	28
Connection and disconnection of the car seat _____	29
Mosquito net _____	29
Rain cover _____	30
Backpack _____	30

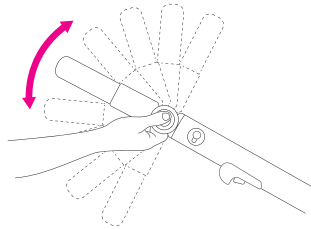
Unfolding the stroller



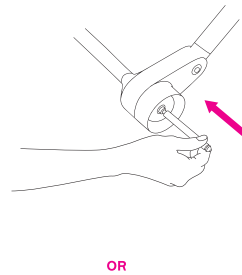
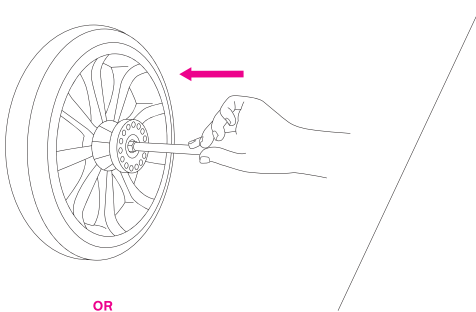
Folding the stroller

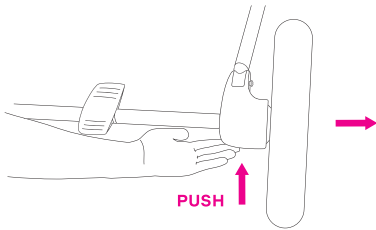
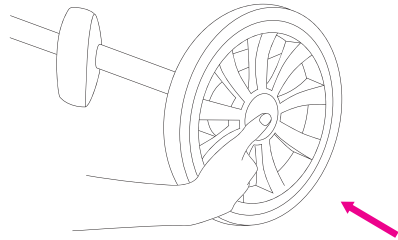


Handle regulation

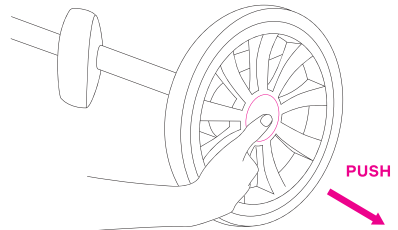


Connection and disconnection of the axel and wheel



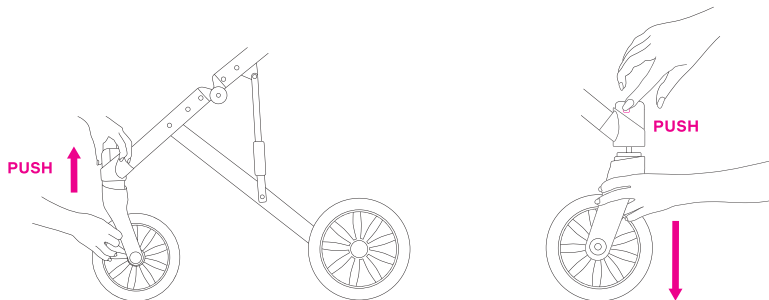


OR

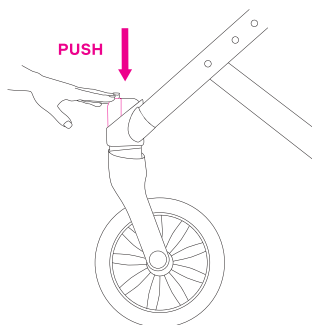


OR

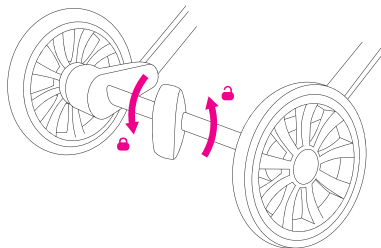
Assembly and disassembly of the front wheels



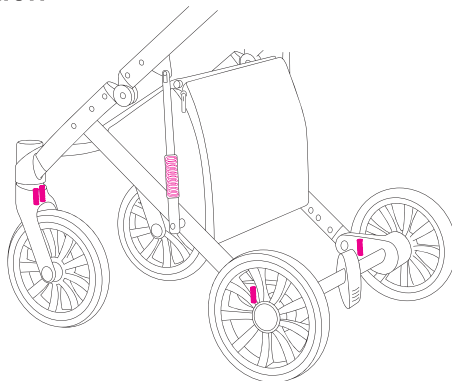
Locking front swivel wheels



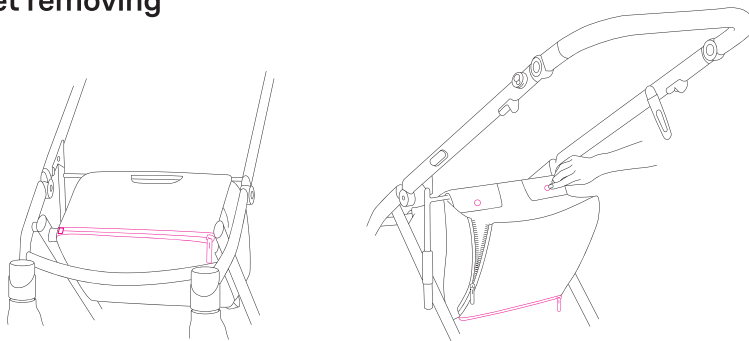
Brake



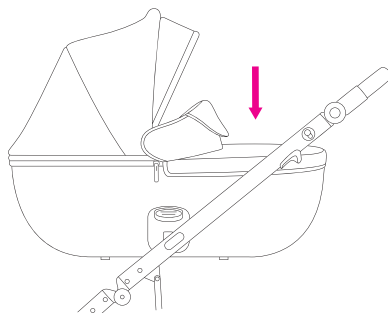
Shock absorption

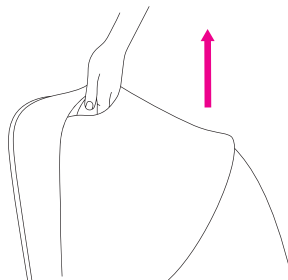
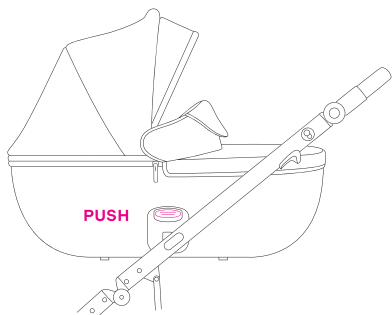


Basket removing

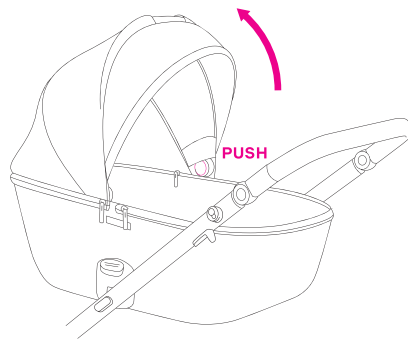
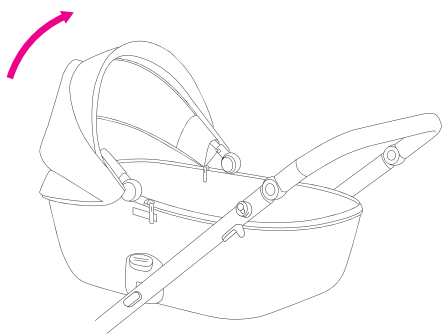


Assembling and disassembling of the carrycot

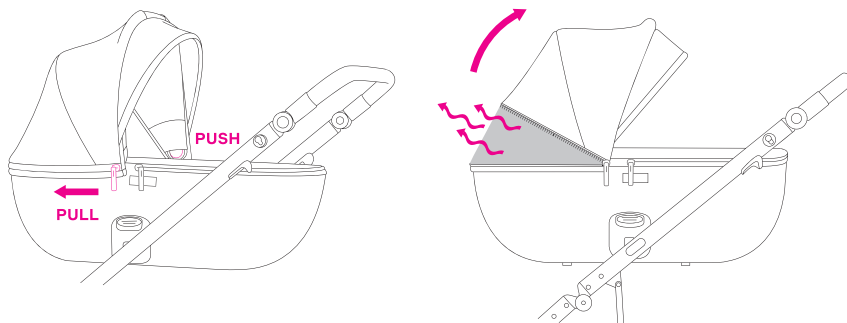




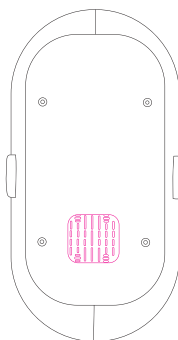
Hood adjustment



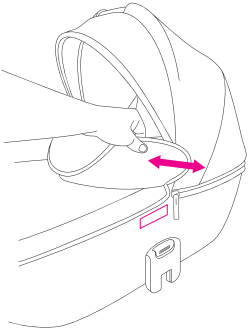
Hood ventilation



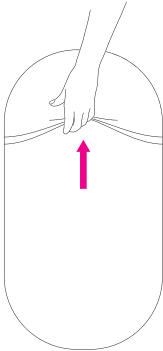
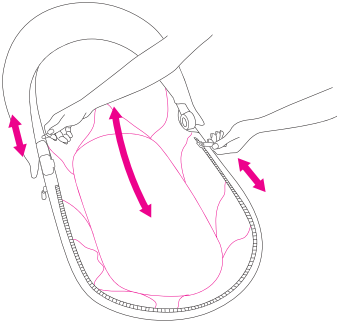
Carrycot ventilation



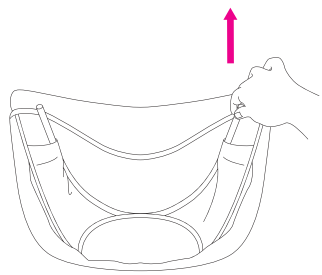
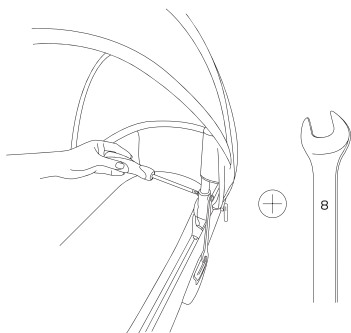
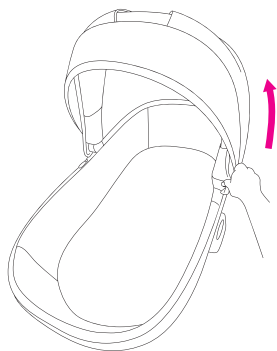
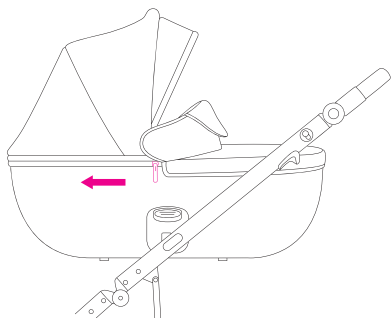
Carrycot footcover



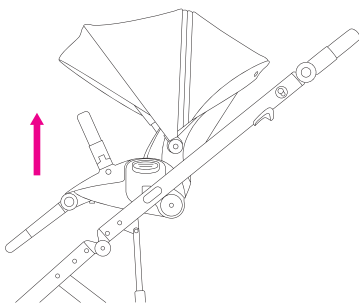
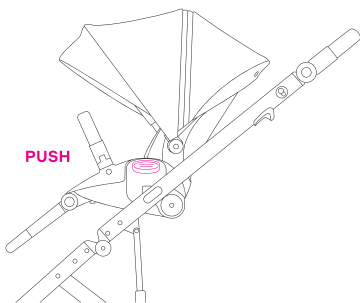
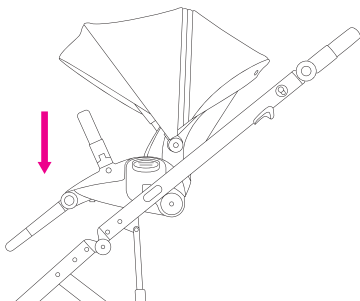
Removing carrycot inside (cleaning)



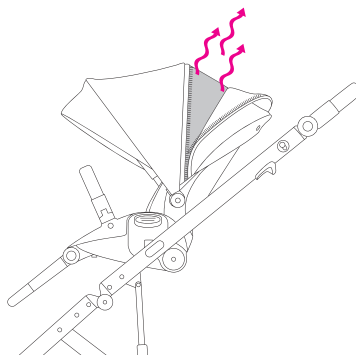
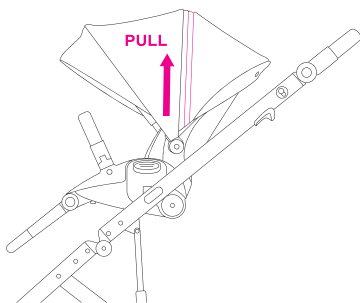
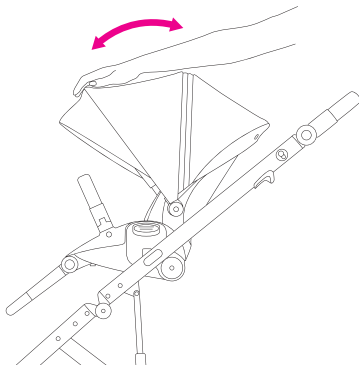
Removing hood soft goods

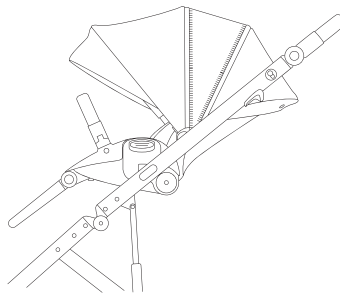
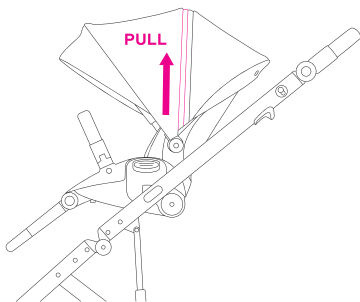


Connection and disconnection of the seat

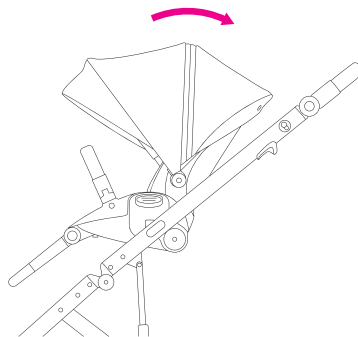
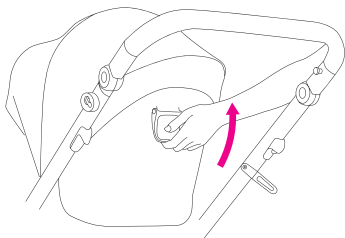


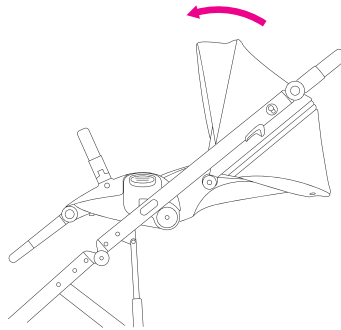
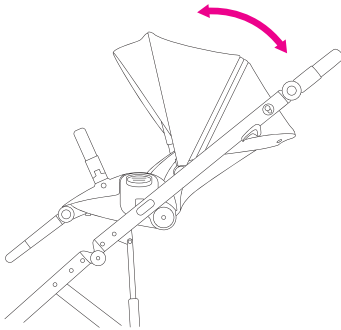
Seat hood adjustment/ventilation



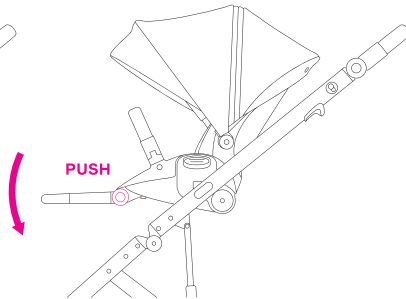
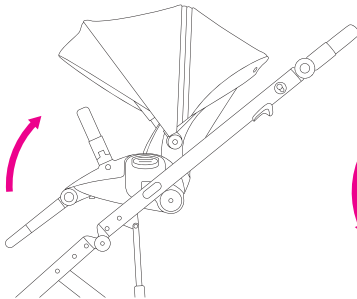


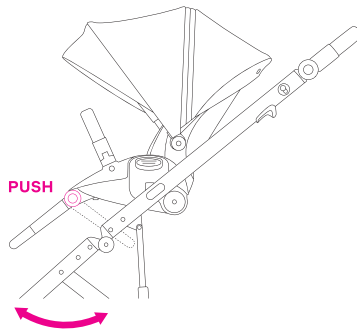
Seat backrest adjustment



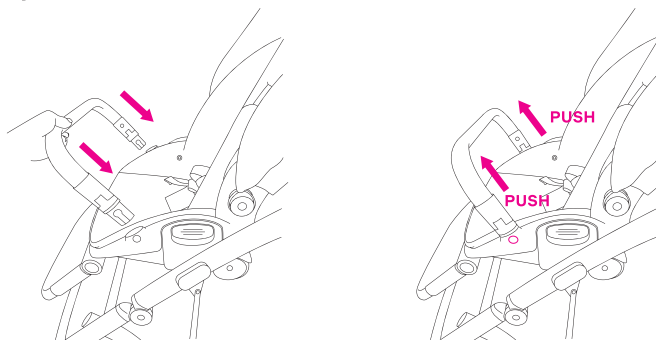


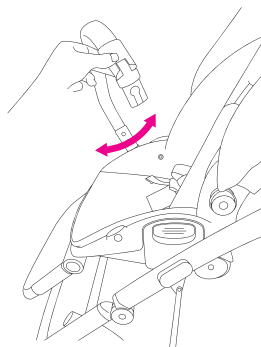
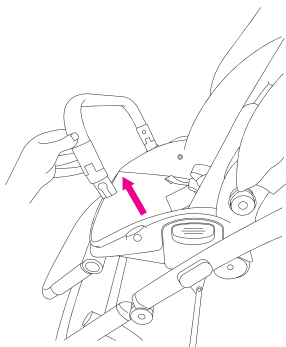
Footrest adjustment



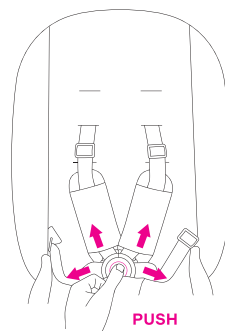
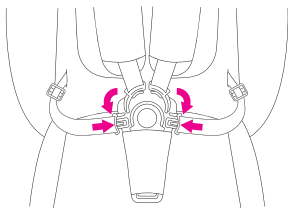


Stroller's security barrier

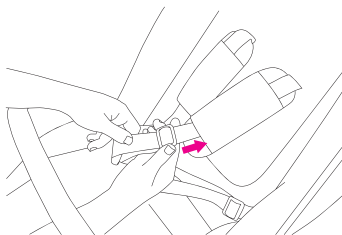




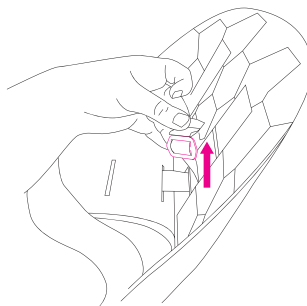
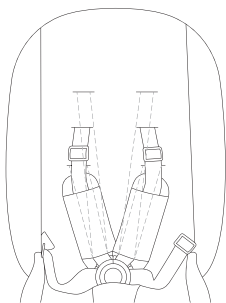
Safety belts

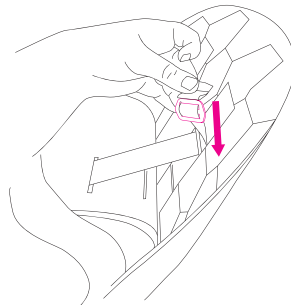
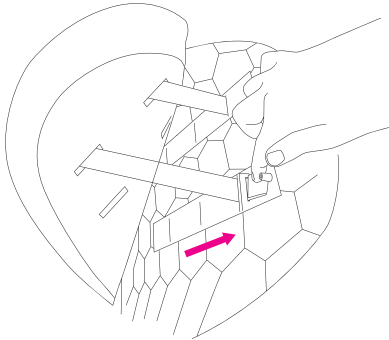
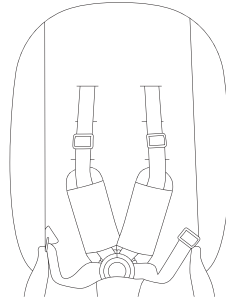
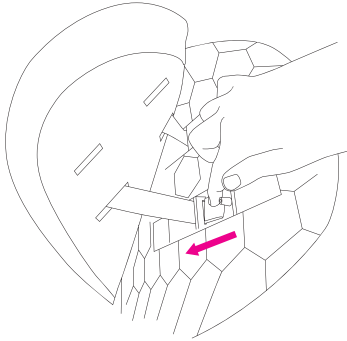


Safety belts length adjustment

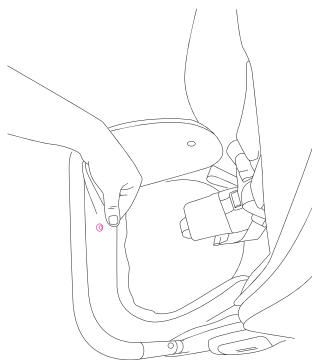
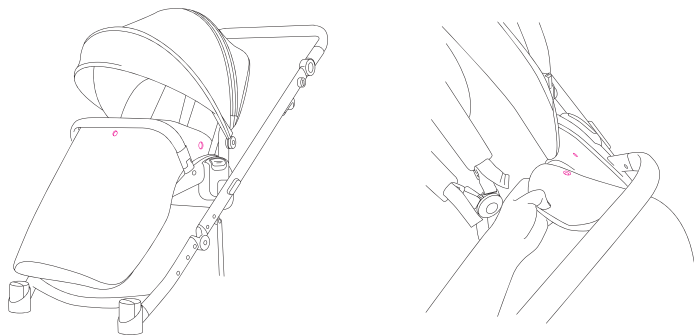


Safety belts height adjustment

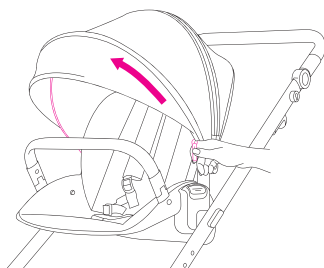
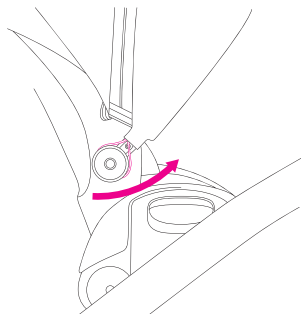
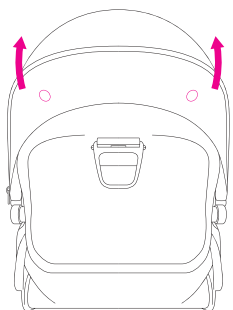




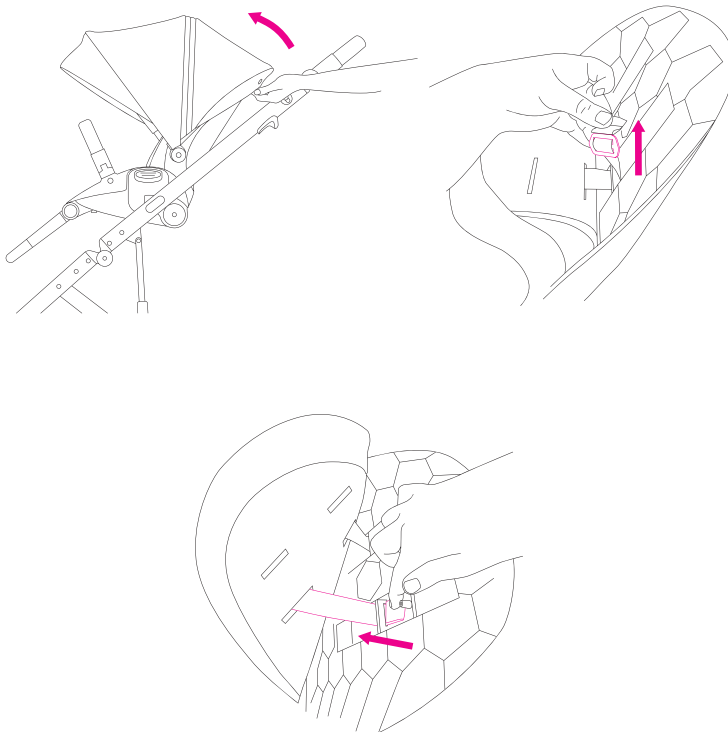
Seat footcover

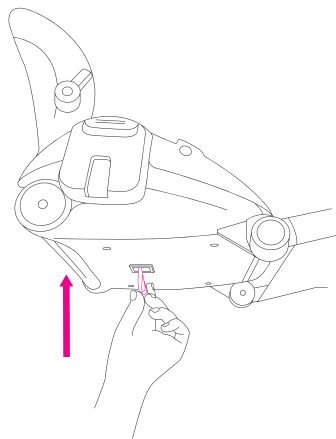
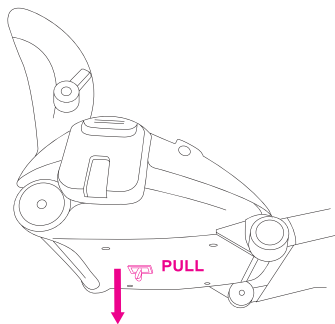
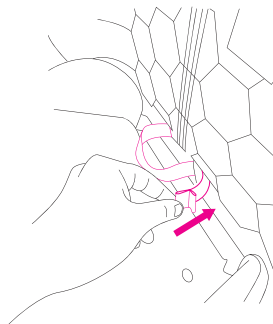
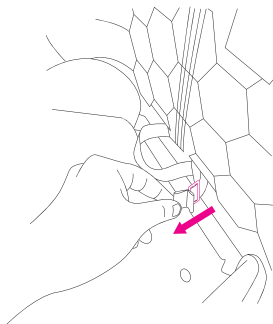


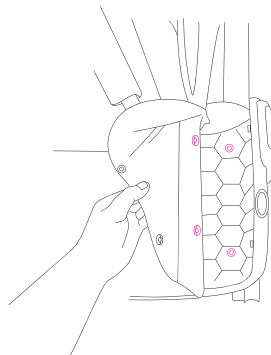
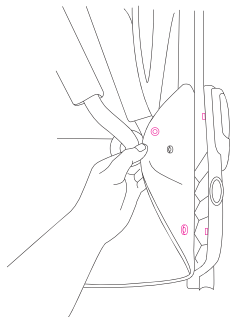
Removing seat hood



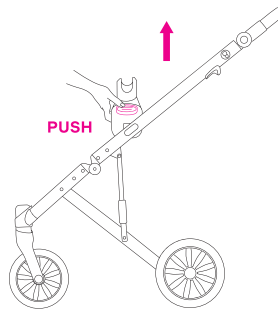
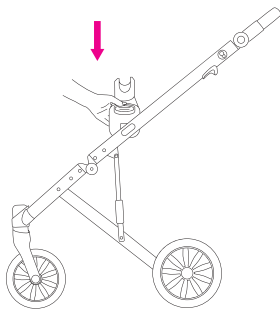
Removing seat soft goods



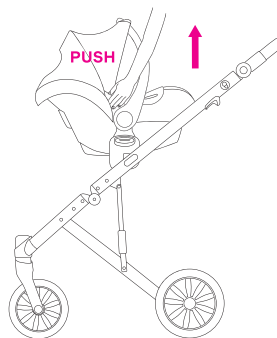
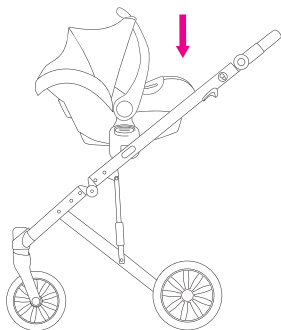




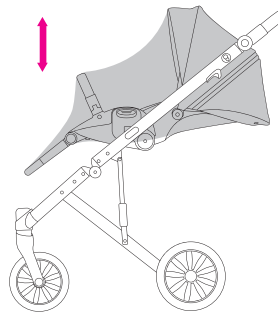
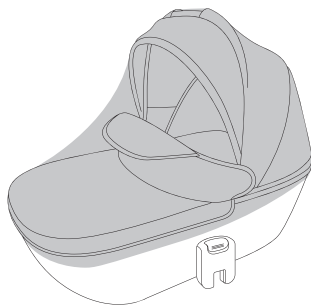
Connection and disconnection of the car seat adapter



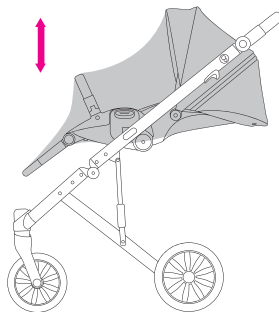
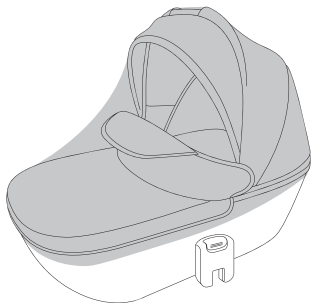
Connection and disconnection of the car seat



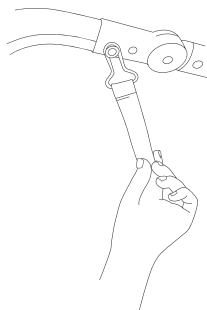
Mosquito net



Rain cover



Backpack



**Check for the most recent manuals
our website: anexbaby.com**

The information is subject to change without notice. Anex shall not be liable for technical errors or omissions contained in this manual. The purchased product may differ from the product as described in this manual.

Ideo Group LLC
Al. Solidarnosci 117
00-140 Warsaw, Poland
+48 22 211 67 08
office@anexbaby.com