



GOLD

CONTACT

EUROPE AND ASIA

gb GmbH
Riedingerstr 18
95448 Bayreuth
Germany
info@gb-online.com
www.gb-online.com

AUSTRALIA

CNP Brands
20 Calarco Drive, VIC, 3030
Australia
Customer Service 1300 667 137
www.cnpbrands.com.au

AMERICAS

Columbus Trading-Partners USA Inc.
560 Harrison Avenue
Boston, MA 02118
USA
Customer Service 1-844-543-2020
<http://register.gb-online.com/us/products>
www.gb-online.com

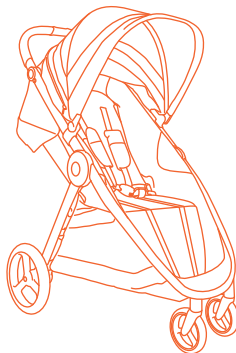
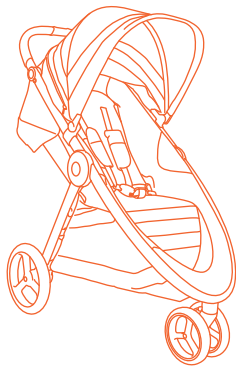
NEW ZEALAND

Wainhouse Distribution,
2-6 Argyle St, Morningside,
PO Box 41-014, St Lukes, Auckland
New Zealand
Customer Service: 0800 567 5000
helpline@wainhousedist.co.nz



SILA / BIRIS

FUTURE PERFECT





PREPARING THE FRAME

4



FOLDING

8



USING THE BUMPER BAR

9



USING THE HARNESS SYSTEM

10



USING THE SUN CANOPY

13



ADJUSTING THE SEAT POSITION

14



ADJUSTING THE HANDLE BAR

15



USING THE BRAKE

16



USING THE SWIVEL LOCKS

17



REMOVING THE WHEELS

18



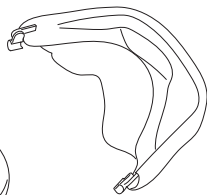
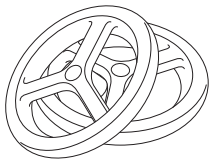
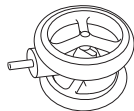
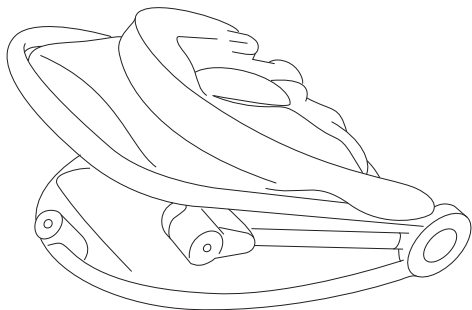
**ATTACHING THE INFANT CAR SEAT
AND CARRYCOT**

19



REMOVING THE SEAT FABRIC

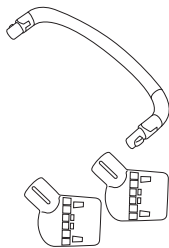
23



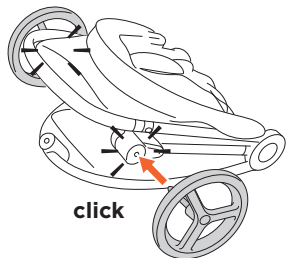
optional



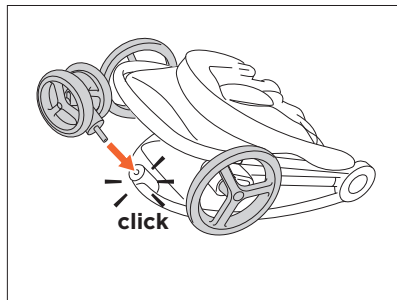
optional



SILA 3 / BIRIS 3



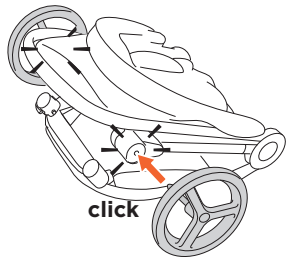
2



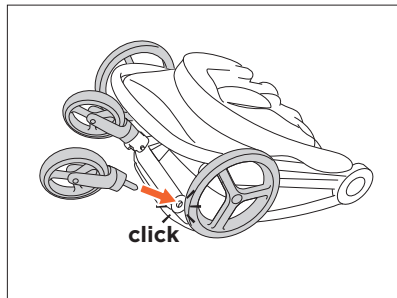
3



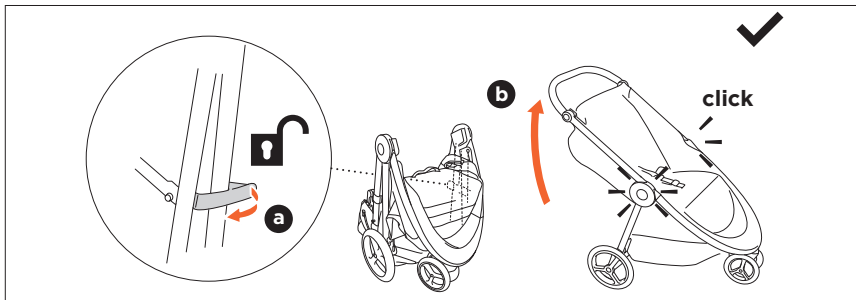
SILA 4 / BIRIS 4



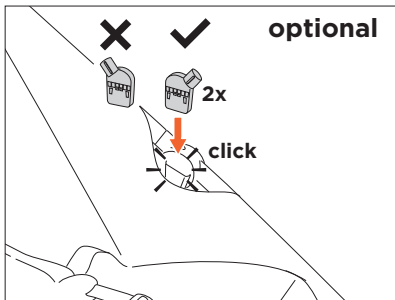
2



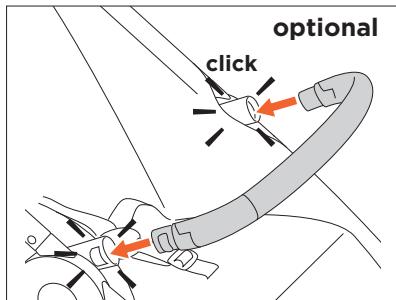
3



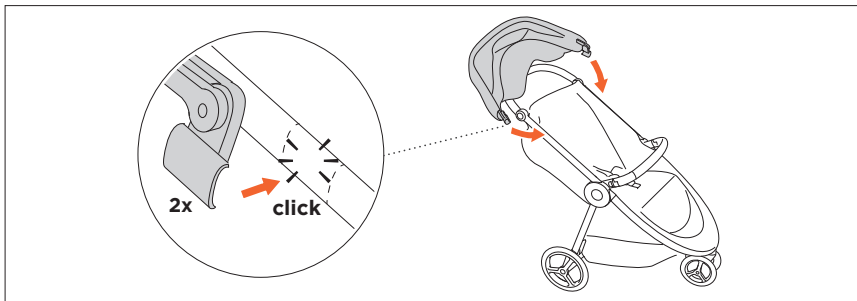
4



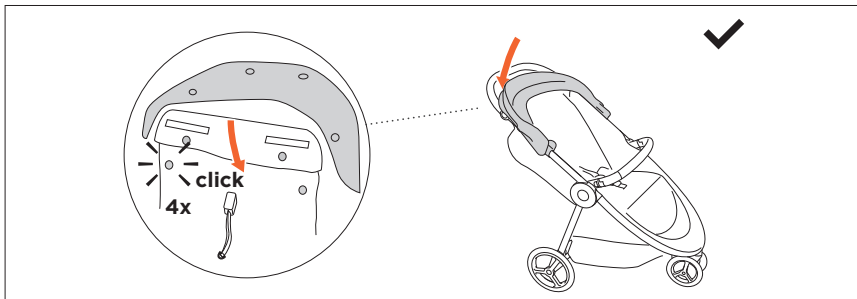
5



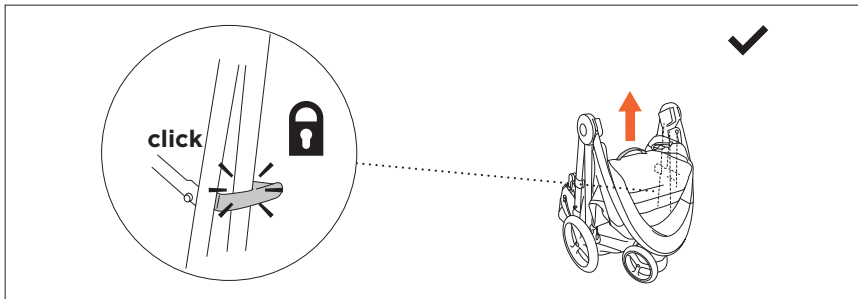
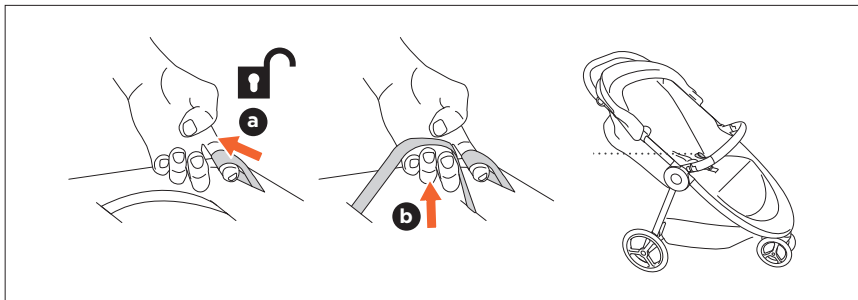
6

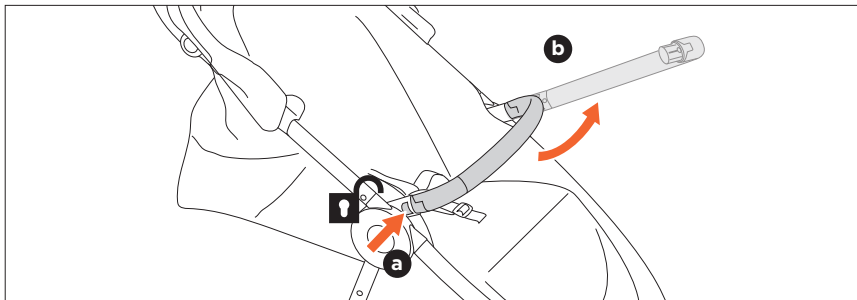


7

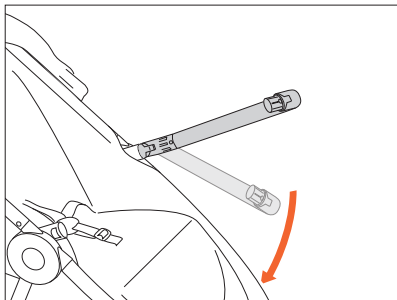


8



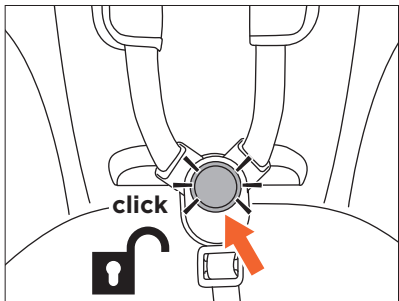


1

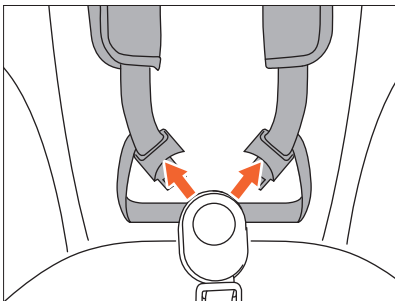


2

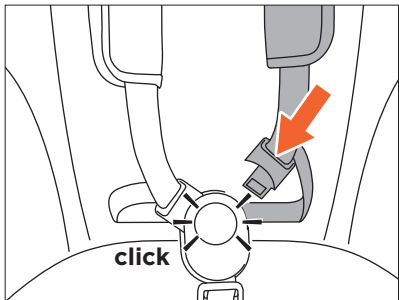

OPTIONAL



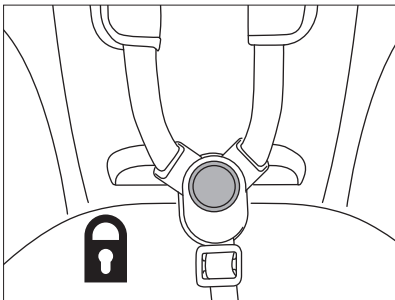
1



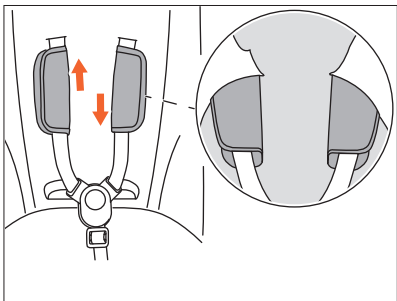
2



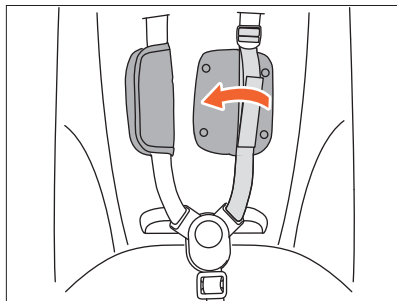
3



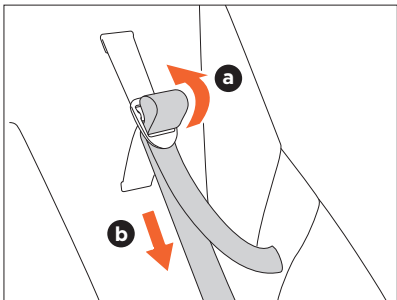
4



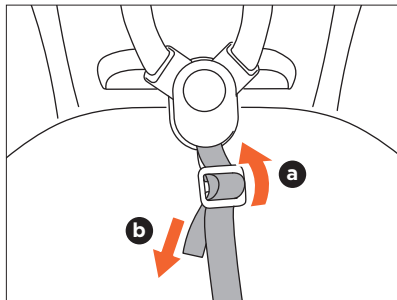
5



6



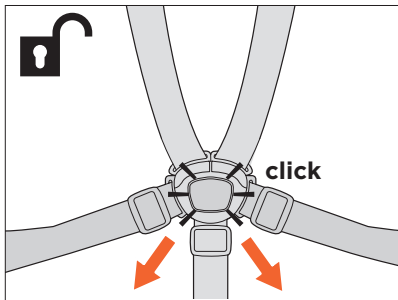
7



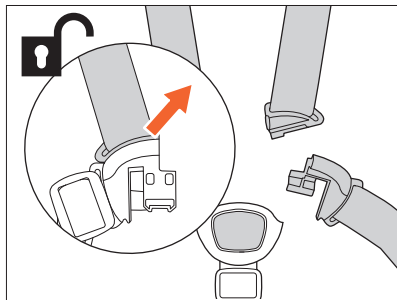
8



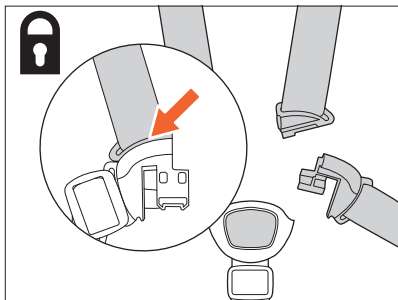
AUS



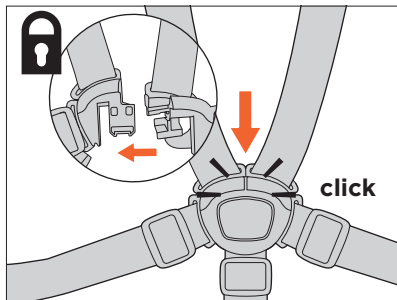
1



2



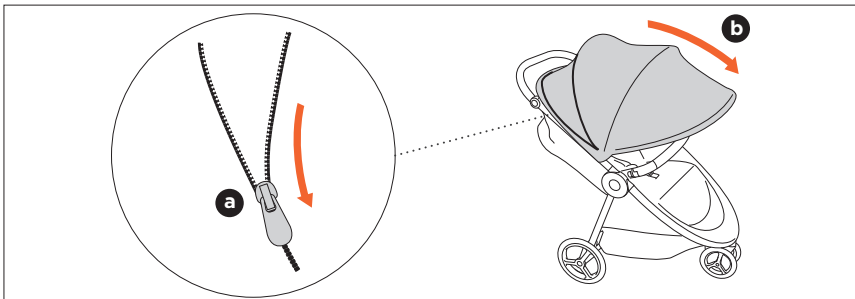
1



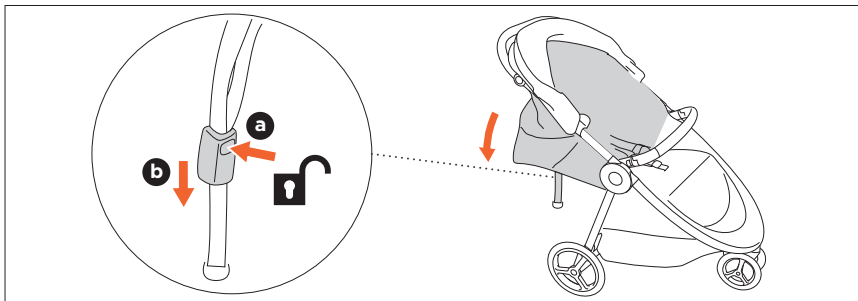
2



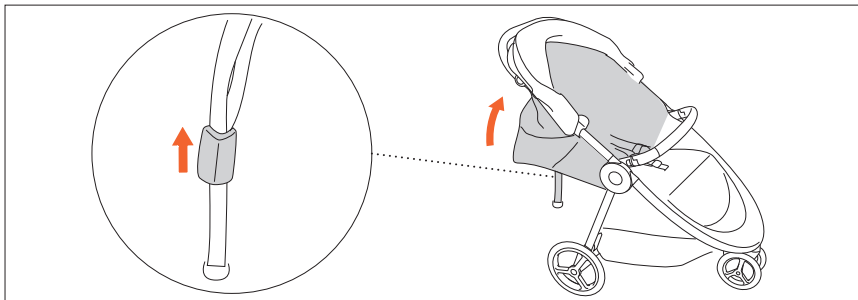
1



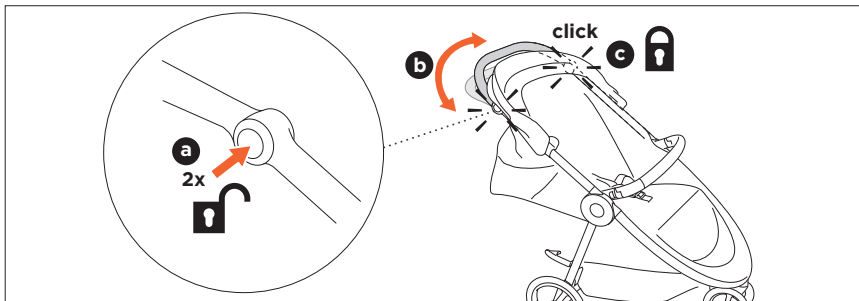
2



1

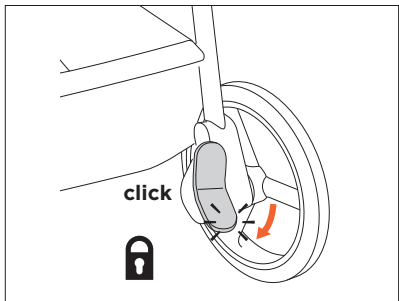


2

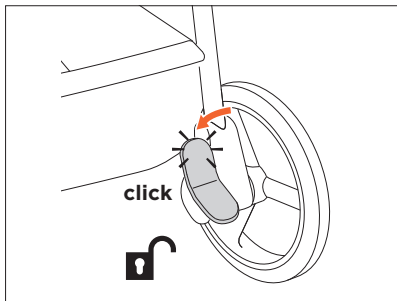


1



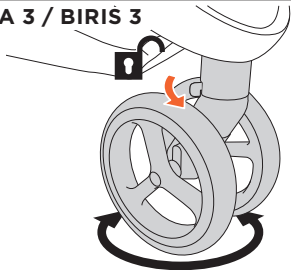


1

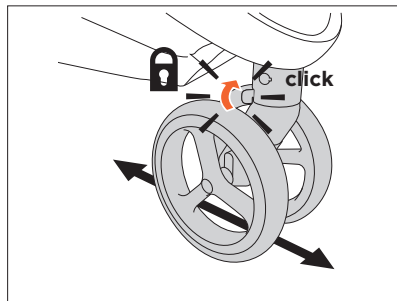


2

SILA 3 / BIRIS 3



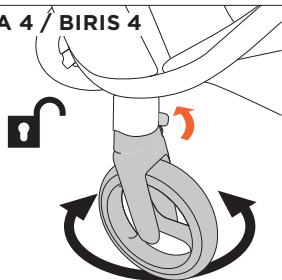
1



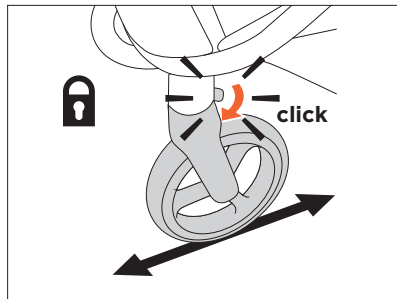
2



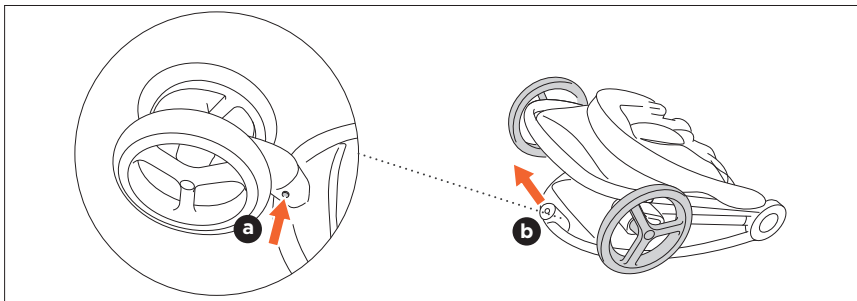
SILA 4 / BIRIS 4



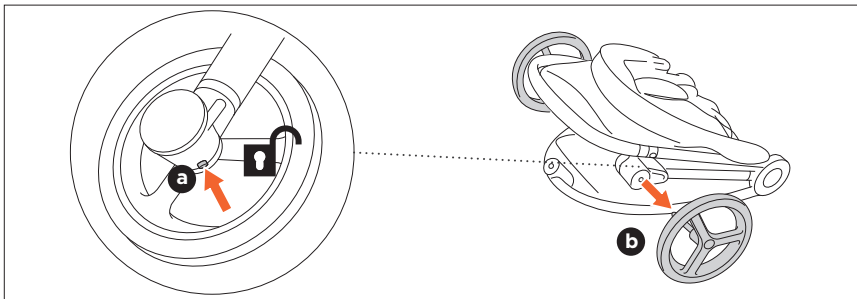
1



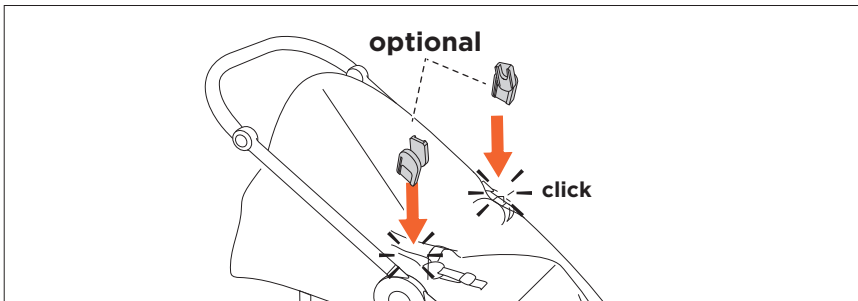
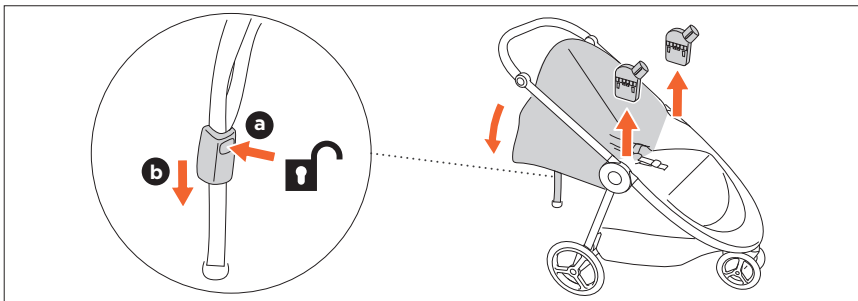
2

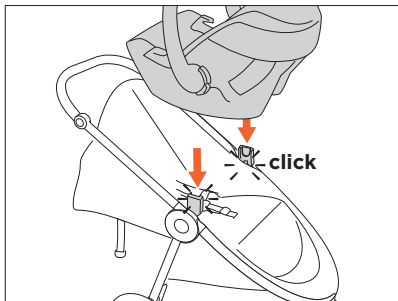


1

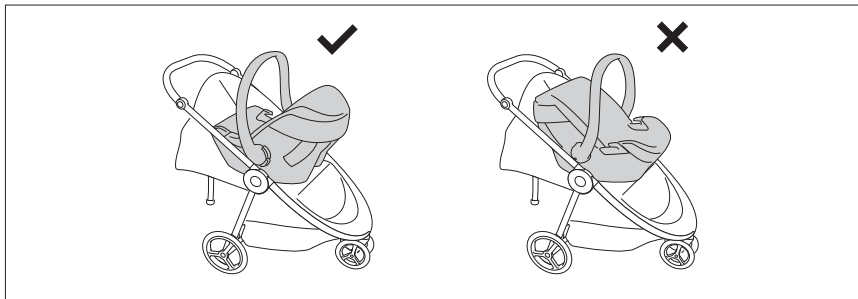


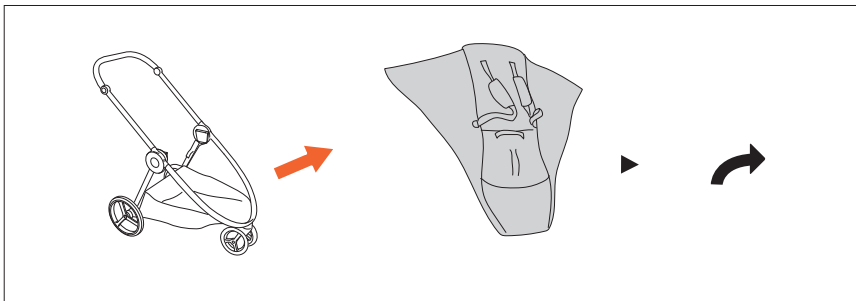
2



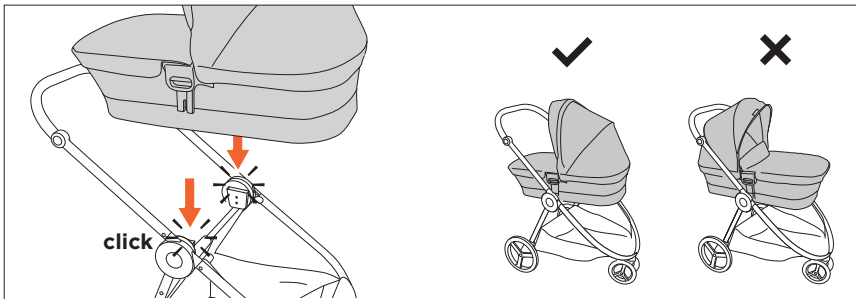


3

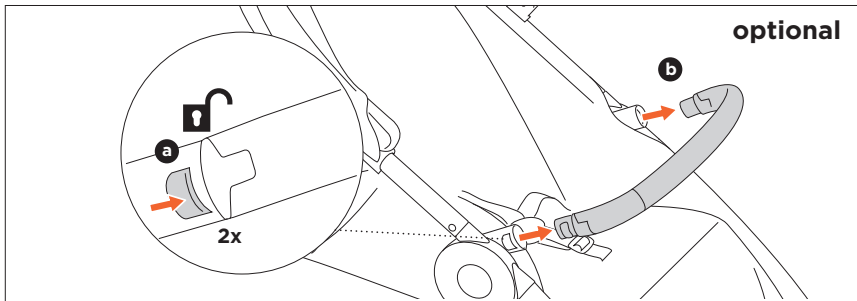




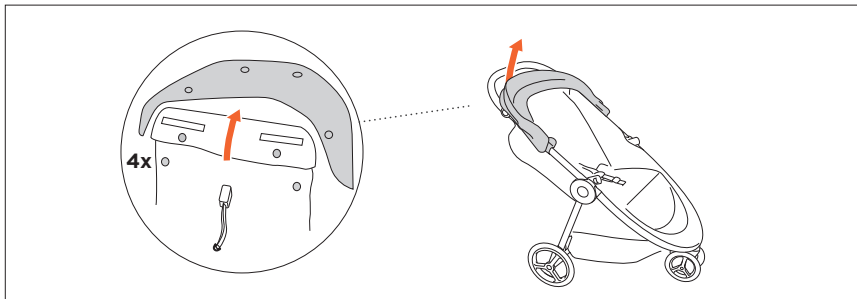
1



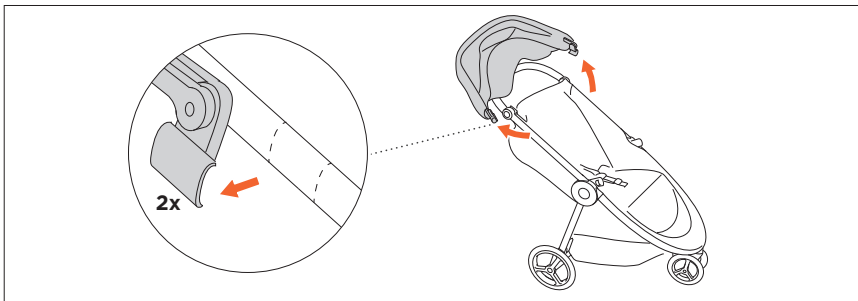
2



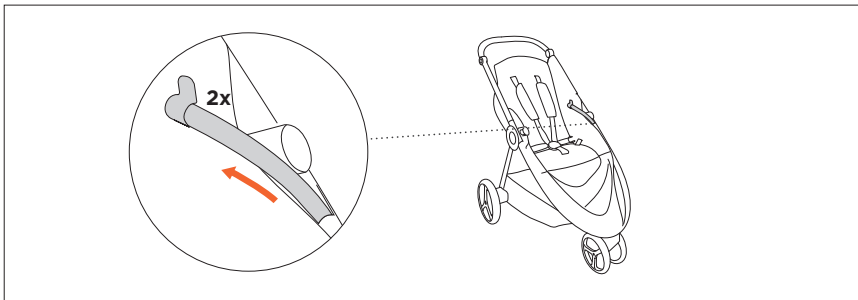
1



2

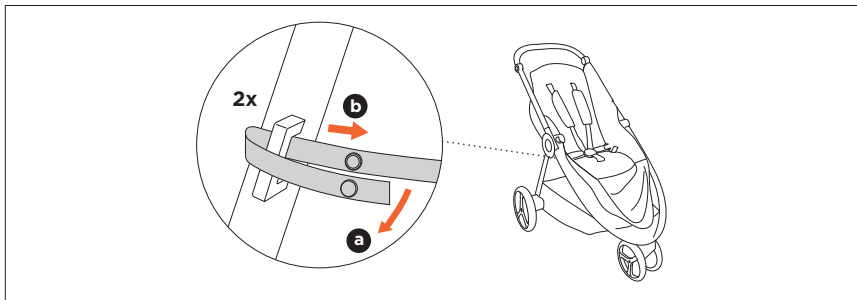


3

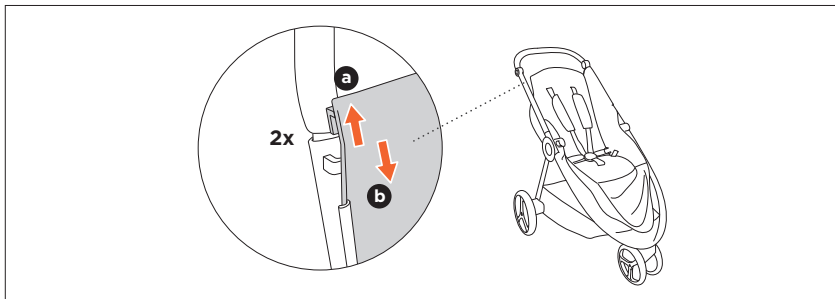


4

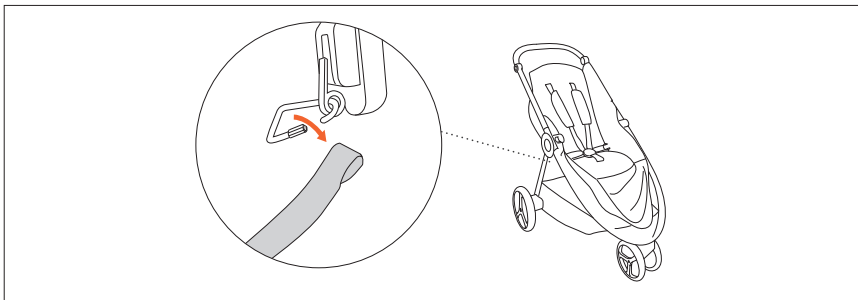
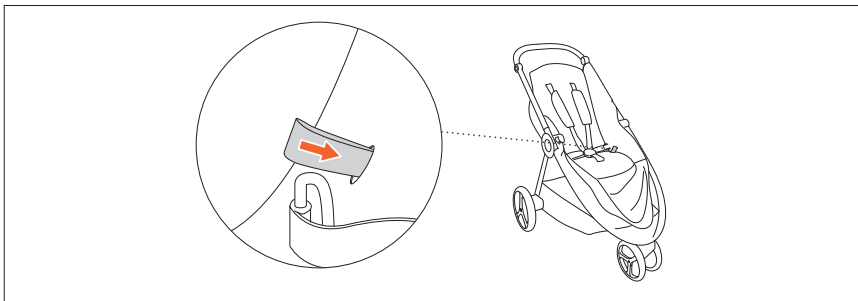


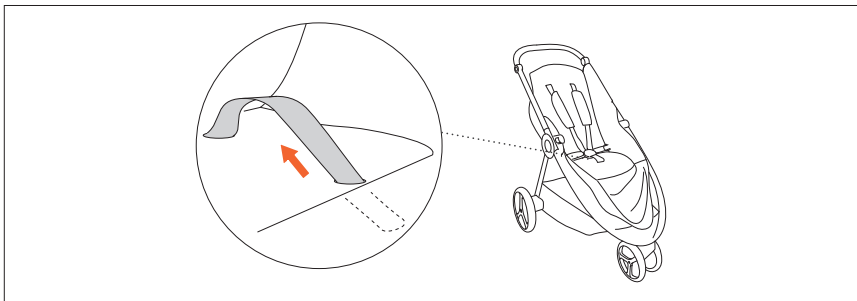


5



6





9

